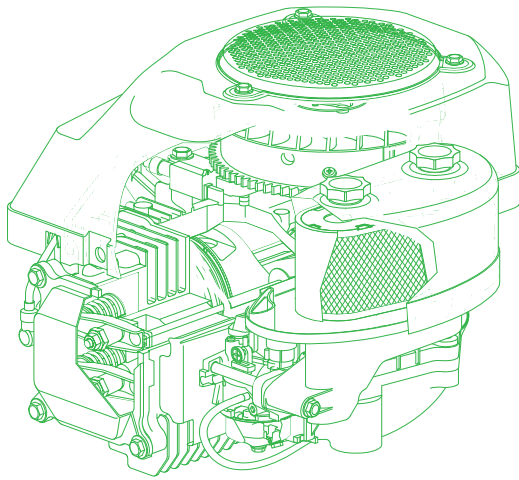


# ILLUSTRATED PARTS LIST

## 165F-3



- Use GLOBAL GARDEN PRODUCT Genuine Spare Parts specified in the parts list for repair and/or replacement.
- The contents described in the parts list may change due to improvement.
- The drawings of the spare parts are only indicative and might not represent the part in question exactly.
- The indications "right" - "left" - "front" - "rear" refer to the position of the operator when using the machine.
- When placing orders of parts for repair and/or replacement, make sure that the illustrated parts list is the one applying to the machine's year of manufacture, as shown on the identification plate attached to the machine.

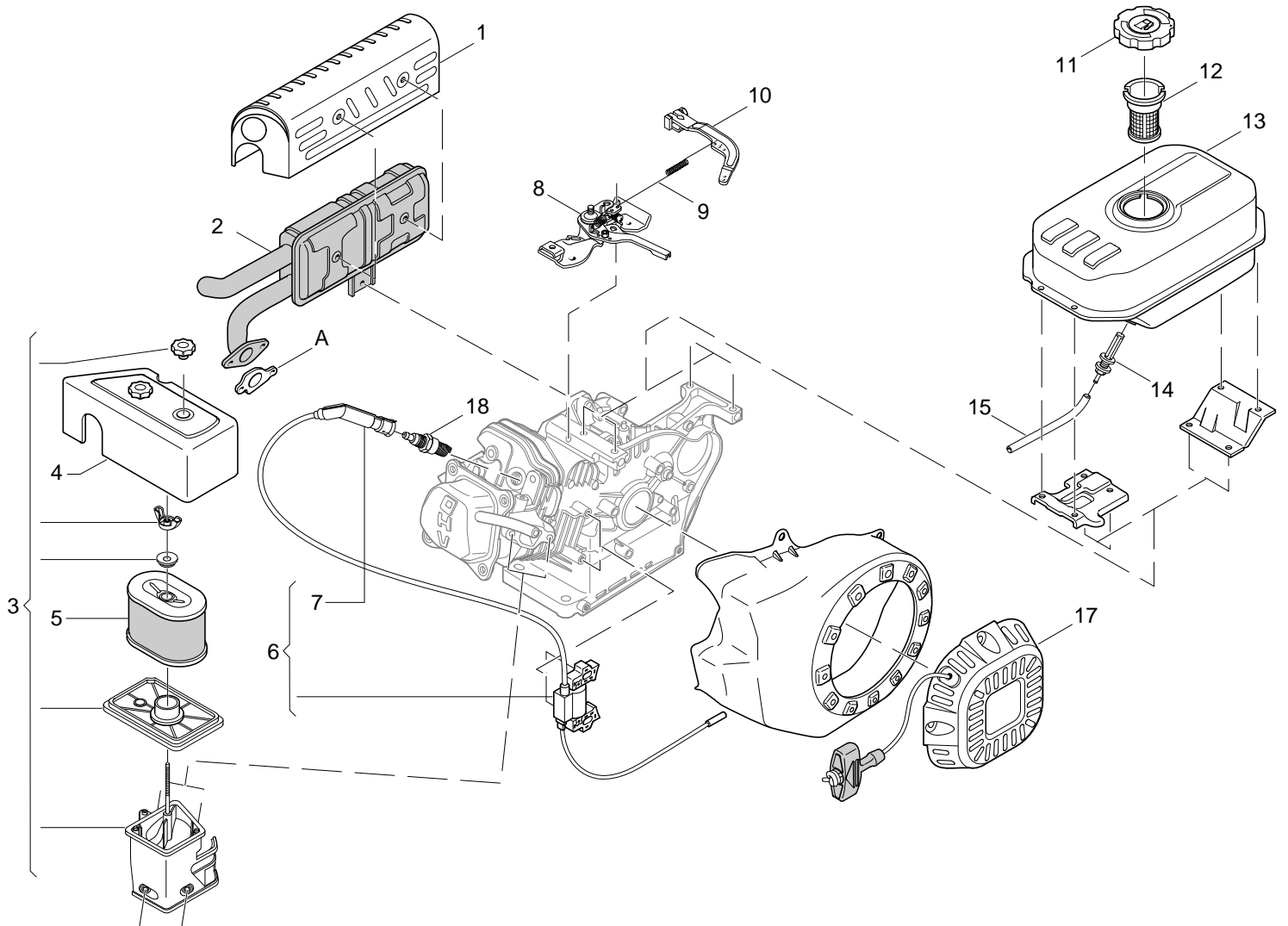
© Copyright 2012 Global Garden Products

All content is subject to copyright by Global Garden Products and may not be reproduced in whole or in part by any means, electronic or otherwise, without prior written approval.

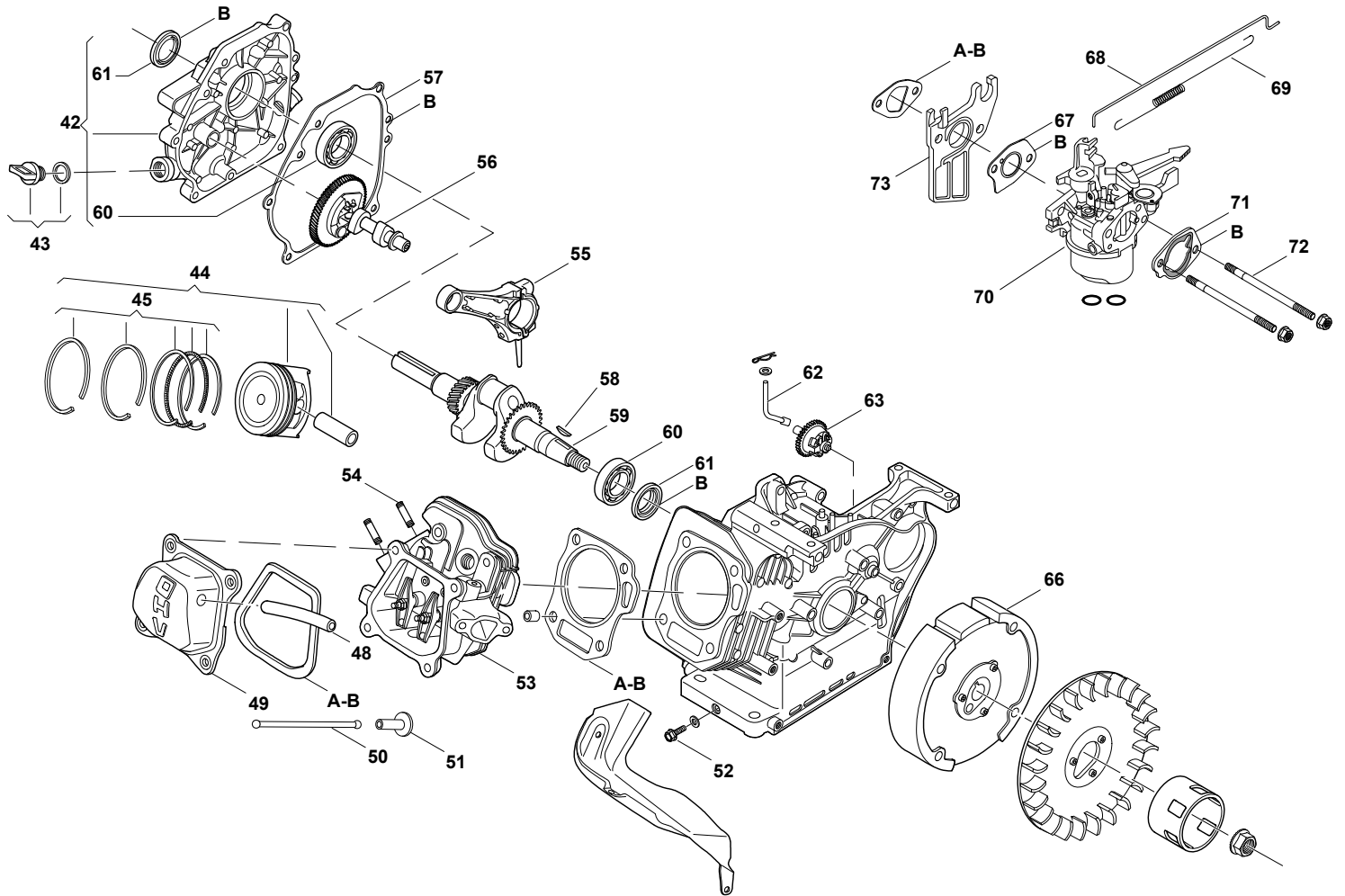
THIS INFORMATION IS NOT INTENDED FOR SALE OR RESALE, AND THIS NOTICE MUST REMAIN ON ALL COPIES.



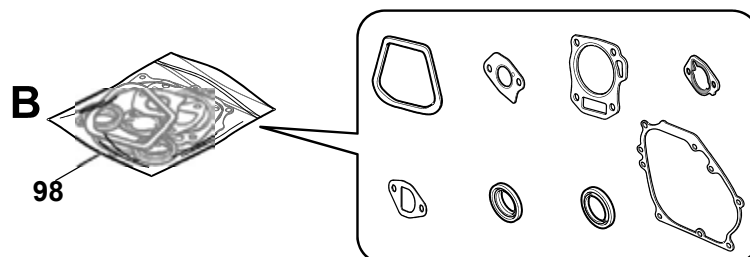
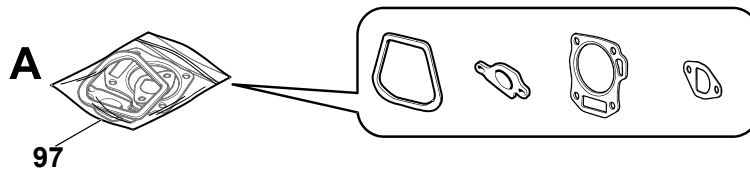
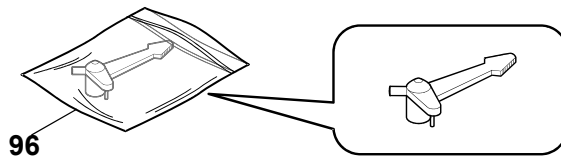
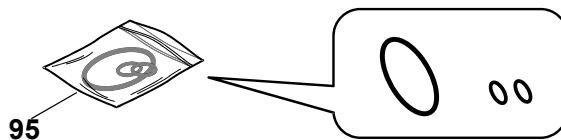
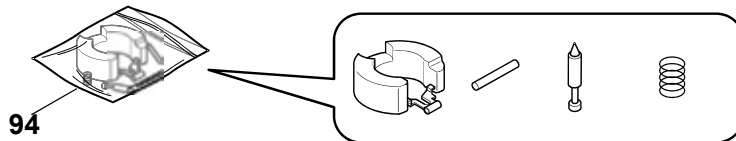
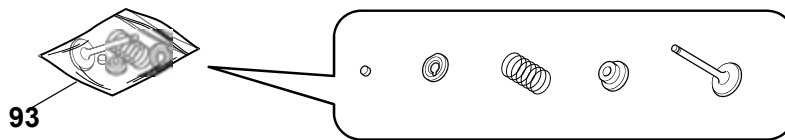
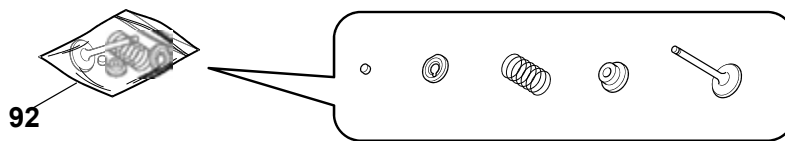
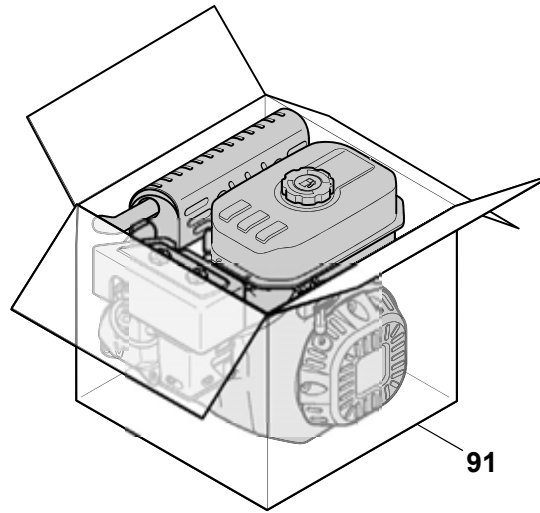
GLOBAL GARDEN PRODUCTS



| N. | CODE         | Q.TY | DESCRIZIONE             | DESCRIPTION               | DESCRIPTION                | BESCHREIBUNG        |
|----|--------------|------|-------------------------|---------------------------|----------------------------|---------------------|
| 1  | 118550499/0  | 1    | Protezione Silenziatore | Muffler Guard             | Protection Silencieux      | Schalldämpferschutz |
| 2  | 118550498/0  | 1    | Silenziatore            | Muffler                   | Silencieux                 | Schalldämpfer       |
| 3  | 118550497/0  | 1    | Ass. Filtro Aria        | Air Cleaner Assy          | Ens. Filtre A Air          | Luftfilter          |
| 4  | 118550495/0  | 1    | Coperchio Filtro Aria   | Air Cleaner Cover         | Couvercle Filtre Air       | Luftfilterdeckel    |
| 5  | 118550496/0  | 1    | Elemento Filtrante      | Air Filter                | Element Filtrant           | Filterelement       |
| 6  | 118550487/0  | 1    | Bobina Elettronica      | Electronic Coil           | Bobine Électronique        | Elektronikspule     |
| 7  | 118550488/0  | 1    | Terminale Filo Bobina   | Spark Plug Spring         | Borne Fil Bobine           | Ende Spulendraht    |
| 8  | 118550494/0  | 1    | Comando Acceleratore    | Remote Control Assy       | Comand Du Accelérateur     | Gasgestange         |
| 9  | 118550490/0  | 1    | Molla                   | Spring                    | Ressort                    | Feder               |
| 10 | 118550491/0  | 1    | Leva Comando Acc.       | Arm Governor Assy         | Ens. Gouverneur Levier     | Hebel               |
| 11 | 118550502/0  | 1    | Tappo Serbatoio         | Fuel Cap                  | Bouchon Reservoir          | Tankeinfüllstopfen  |
| 12 | 118550503/0  | 1    | Filtro Carburante       | Fuel Filter               | Filtre Carburant           | Treibstofffilter    |
| 13 | 118550501/0  | 1    | Serbatoio               | Tank                      | Reservoir                  | Tank                |
| 14 | 118550500/0  | 1    | Attacco Serbatoio       | Fuel Tank Hose Connection | Raccord Conduite Combustib | Wasseranschluss     |
| 15 | 118550504/0  | 1    | Tubo Carburante         | Fuel Pipe                 | Conduite Combustible       | Kraftstoffleitung   |
| 17 | 118550477/0  | 1    | Ass. Avviatore          | Starter Assy              | Démarréur                  | Set Starter         |
| 18 | 9400-0244-00 | 1    | Candela                 | Spark Plug                | Bougie                     | Zündkerze           |



| N. | CODE        | Q.TY | DESCRIZIONE               | DESCRIPTION          | DESCRIPTION                      | BESCHREIBUNG            |
|----|-------------|------|---------------------------|----------------------|----------------------------------|-------------------------|
| 41 | 118550466/0 | 1    | Ass. Tappo Livello Olio   | Oil Filler Assy      | Ensemble Bouchon Niveau Hu       | Gesamtansicht Öldeckel  |
| 42 | 118550464/0 | 1    | Ass. Carter Motore        | Crankcase Cover Assy | Ens. Carter Moteur               | Satz Motorgehäuse       |
| 43 | 118550467/0 | 1    | Tappo Olio                | Cap Oil Tank         | Bouchon D'Huile                  | Öldeckel                |
| 44 | 118550469/0 | 1    | Ass. Pistone              | Piston Assy          | Ens.Piston                       | Set Kolben              |
| 45 | 118550468/0 | 1    | Ass. Fasce Elastiche      | Piston, Ring Set     | Ens. Bagues Élastiques           | Set Elastische Ringe    |
| 48 | 118550456/0 | 1    | Tubo Sfiato               | Breather Fule Pipe   | Tuyau Soupirlail                 | Entlüfterrohr           |
| 49 | 118550455/0 | 1    | Coperchio Valvole         | Cover Comp., Head    | Cache-Soupapes                   | Ventilabdeckung         |
| 50 | 118550474/0 | 2    | Aste Di Punteria          | Push Rods            | Tige                             | Stange                  |
| 51 | 118550475/0 | 2    | Alzavalvole               | Valve Lifter         | Poussoir De Valve                | Ventilheber             |
| 52 | 118550460/0 | 1    | Ass. Tappo Olio           | Oil Cap              | Bouchon Huile                    | Satz Ölstopfen          |
| 53 | 118550505/0 | 1    | Ass. Testa Cilindro       | Cylinder Head Assy   | Ens. Culasse Du Cylindre         | Zylinderkopf            |
| 54 | 118550454/0 | 2    | Prigioniero               | Stud Bolt            | Prisonnier                       | Stiftschraube           |
| 55 | 118550470/0 | 1    | Ass. Biella Motore        | Connecting Rod Assy  | Ens. Bielle                      | Set Pleuelstange        |
| 56 | 118550476/0 | 1    | Albero Camme              | Camshaft Assy        | Arbre À Cames                    | Nockenwelle             |
| 57 | 118550465/0 | 1    | Guarnizione Carter Motore | Crankcase Gasket     | Garniture Carter                 | Gehäusedichtung         |
| 58 | 118550618/0 | 1    | Linguetta Per Volano      | Flywheel Key         | Languette Pour Volant            | Lasche F. Schwungrad    |
| 59 | 118550471/0 | 1    | Ass. Albero Motore        | Crankshaft           | Arbre Moteur                     | Set Motorwelle          |
| 60 | 118550462/0 | 2    | Cuscinetto                | Bearing              | Roulement                        | Kuegellager             |
| 61 | 118550463/0 | 2    | Anello Di Tenuta          | Oil Seal             | Anneau De Tenue                  | Dichtring               |
| 62 | 118550459/0 | 1    | Albero Regolatore         | Shaft, Governor Arm  | Tringle Commande De Puissance De | Wegscheitelhebelschäfte |
| 63 | 118550458/0 | 1    | Ass. Regolatore           | Speed Governor Assy  | Ens. Régulateur De Vitesse       | Satz Drehzahlregler     |
| 66 | 118550489/0 | 1    | Ass. Volano C/Masse       | Flywheel Ass.Y       | Ens. Volant                      | Schwungrad Magnet       |
| 67 | 118550483/0 | 1    | Guarnizione               | Gasket               | Garnitures                       | Dichtungen              |
| 68 | 118550493/0 | 1    | Leva Comado Aria          | Choke Control Rod    | Levier Air                       | Chokerhebel             |
| 69 | 118550492/0 | 1    | Molla                     | Spring               | Ressort                          | Feder                   |
| 70 | 118550480/0 | 1    | Carburatore               | Carburettor          | Carburateur                      | Vergaser                |
| 71 | 118550482/0 | 1    | Guarnizione               | Gasket               | Garnitures                       | Dichtungen              |
| 72 | 118550453/0 | 2    | Prigioniero               | Stud Bolt            | Prisonnier                       | Stiftschraube           |
| 73 | 118550484/0 | 1    | Collettore Aspirazione    | Intake Manifold      | Collecteur Aspiration            | Kollektor Ansaugung     |



| N. | CODE        | Q.TY | DESCRIZIONE                    | DESCRIPTION              | DESCRIPTION                       | BESCHREIBUNG                |
|----|-------------|------|--------------------------------|--------------------------|-----------------------------------|-----------------------------|
| 91 | 118550508/0 | 1    | Motore Completo                | Engine Assembled         | Moteur Complete                   | Motor Komplet               |
| 92 | 118550472/0 | 1    | Ass. Valvola Aspirazione       | Intake Valve Assy        | Ens. Soupape Aspiration           | Satz Ansaugventil           |
| 93 | 118550473/0 | 1    | Ass. Valvola Scarico           | Exhaust Valve Assy       | Ens. Soupape Évacuation           | Satz Abflussventil          |
| 94 | 118550486/0 | 1    | Kit Riparazione Carburatore    | Kit Repair, Carburettor  | Kit Réparation Carbureteur        | Satz Reparatur, Vergaser    |
| 95 | 118550485/0 | 1    | Ass. Guarnizioni Carburatore   | Gasket Carburettor Assy  | Ens. Garnitures Carburateur       | Satz Dichtungen Für Vergase |
| 96 | 118550481/0 | 1    | Leva Aria                      | Choke Lever              | Levier Air                        | Chokerhebel                 |
| 97 | 118550506/0 | 1    | As. Guarnizioni Testa Cilindro | Cylinder Head Gasket Set | Culasse Du Cylindre Kit Garniture | Satz Dichtungen Zylinderkop |
| 98 | 118550507/0 | 1    | Ass. Guarnizioni Motore        | Engine Gasket Set        | Kit Garnitures Moteur             | Satz Dichtungen Motor       |