



Reservdelskatalog Parts Catalogue

COLLECTOR 46 S

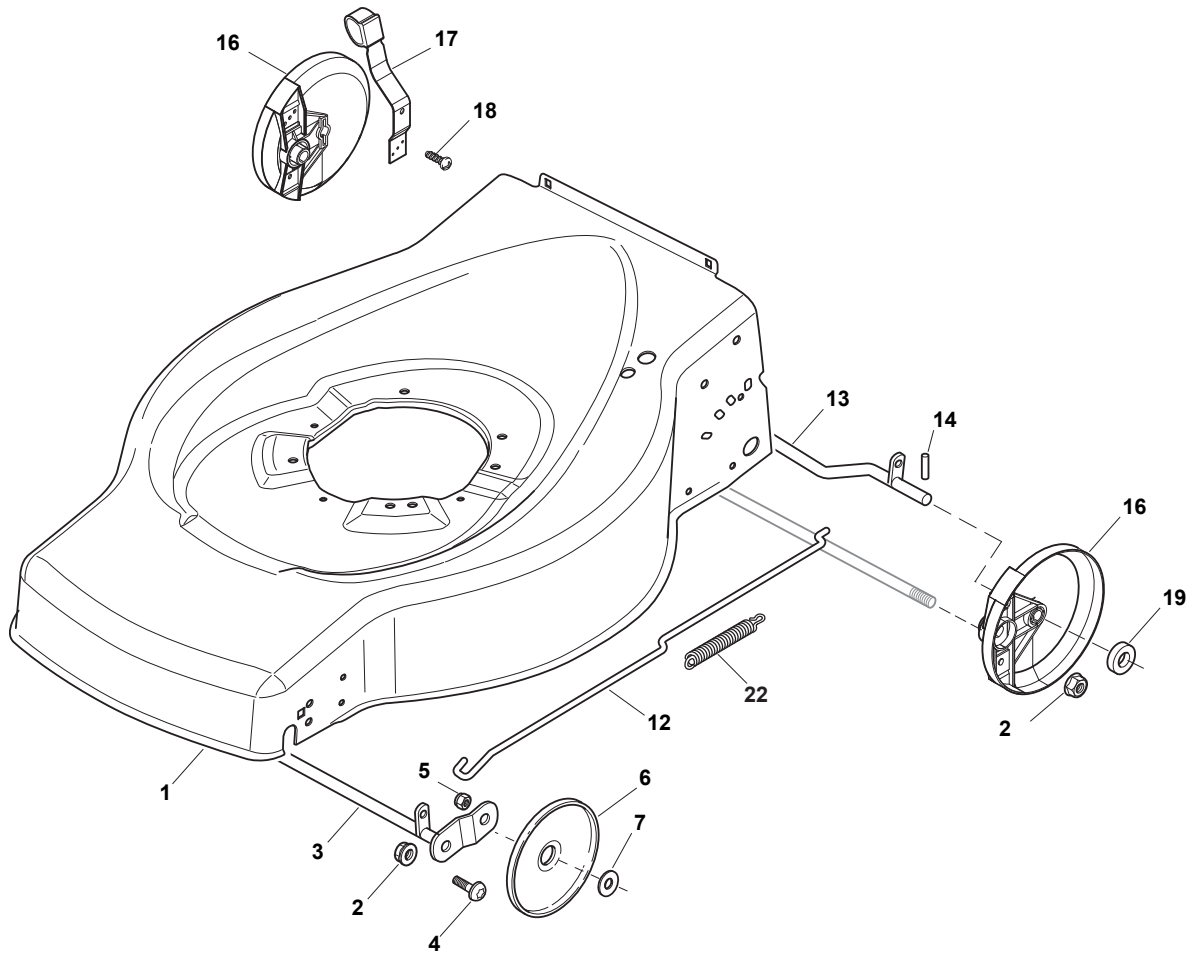
299274648/S14 - Season 2015

- Use GLOBAL GARDEN PRODUCT Genuine Spare Parts specified in the parts list for repair and/or replacement.
 - The contents described in the parts list may change due to improvement.
 - The drawings of the spare parts are only indicative and might not represent the part in question exactly.
 - The indications "right" - "left" - "front" - "rear" refer to the position of the operator when using the machine.
- When placing orders of parts for repair and/or replacement, make sure that the illustrated parts list is the one applying to the machine's year of manufacture, as shown on the identification plate attached to the machine.

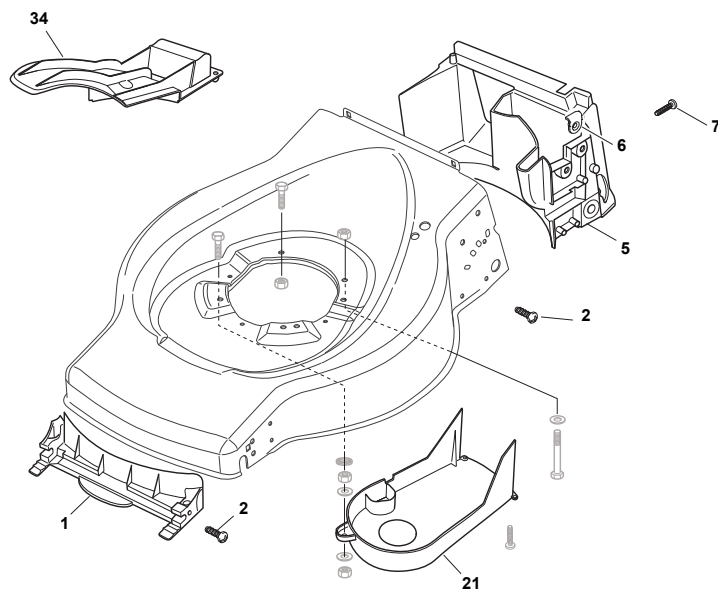
© Copyright 2015 Global Garden Products

All rights reserved. No part of this material may be reproduced or transmitted, in any form or by any means, electronic or mechanical, including photocopying, recording or by any information storage and retrieval system, without permission in writing from GLOBAL GARDEN PRODUCTS.

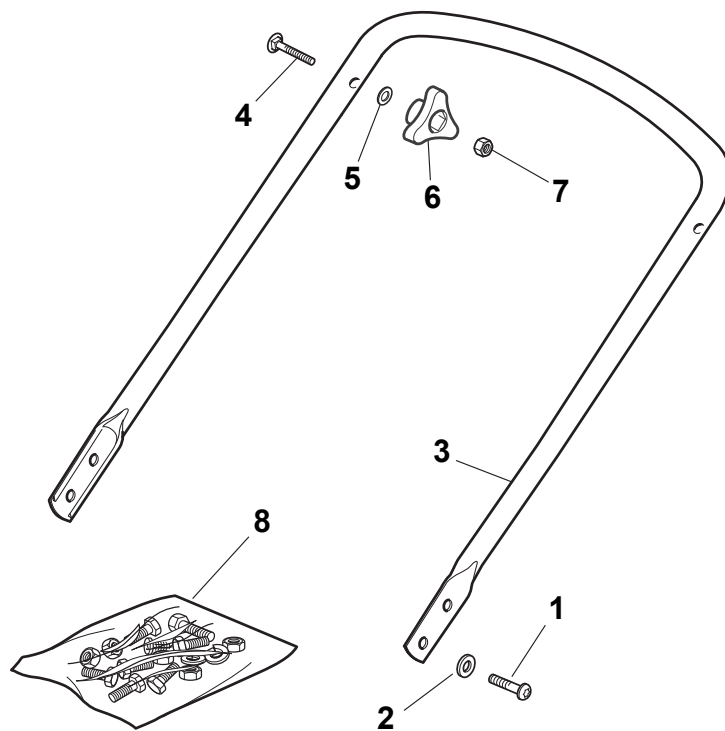
www.stiga.com



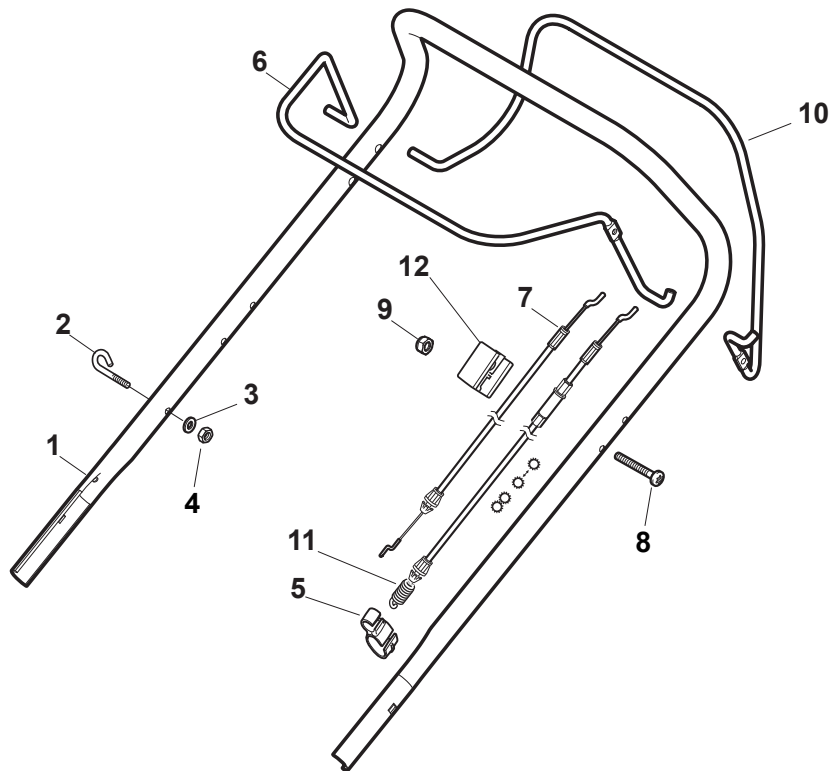
Utgåva Issue 3 - 2015		Kapa och höjdställning Deck And Height Adjusting			
Pos. Fig.	Antal Quantity	Art nr Part No	Benämning	Description	Anmärkning Notes
1	1	381004745/0	Chassi-gra	Grey Deck	
2	2	122131750/0	Mutter	Nut	
3	1	381000153/0	Hjulaxel-fram	Front Wheel Axle	
4	2	112760600/0	Skruv	Screw	
5	2	112155000/0	Mutter	Nut	
6	2	322600095/0	Hjulskydd	Protection, Wheel	
7	2	325670011/0	Bricka	Antifriction Washer	
12	1	122033317/0	Justerstang	Adjustment Rod	
13	2	381000159/0	Hjulaxel-bakre	Rear Wheel Axle	
14	2	122753001/0	Spännstift	Pin	
16	2	322600106/1	Hjulskydd	Protection, Wheel	
17	1	381003303/0	Höjdställningsspak	Lever, Height Adjustment	
18	2	112728689/0	Skruv	Screw	
19	4	122122202/0	Kullager	Bearing	



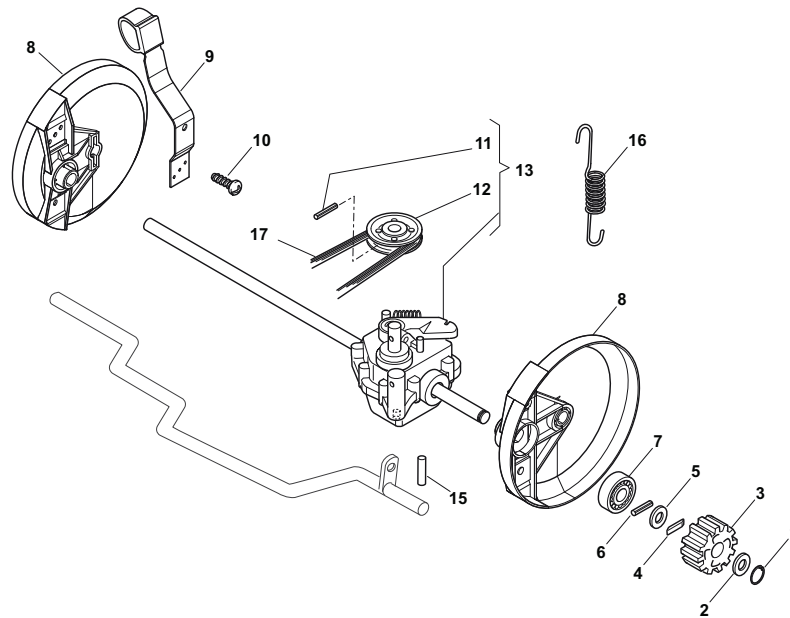
Utgåva Issue 3 - 2015		Främre transportband kpl Front Conveyor Assy			
Pos. Fig.	Antal Quantity	Art nr Part No	Benämning	Description	Anmärkning Notes
1	1	322108271/0	Plastfront Transportör	Front Conveyor Assy	
2	6	112728686/0	Skruv	Screw	
5	1	322108272/2	Bakre skyddLuftledare	Rear Conveyor Assy	
6	4	322545189/0	Plat	Plate	
7	2	112728686/0	Skruv	Screw	
21	1	322060212/0	Remskydd	Protection, Belt	
34	1	322140226/0	Mulchplugg	Deflector	



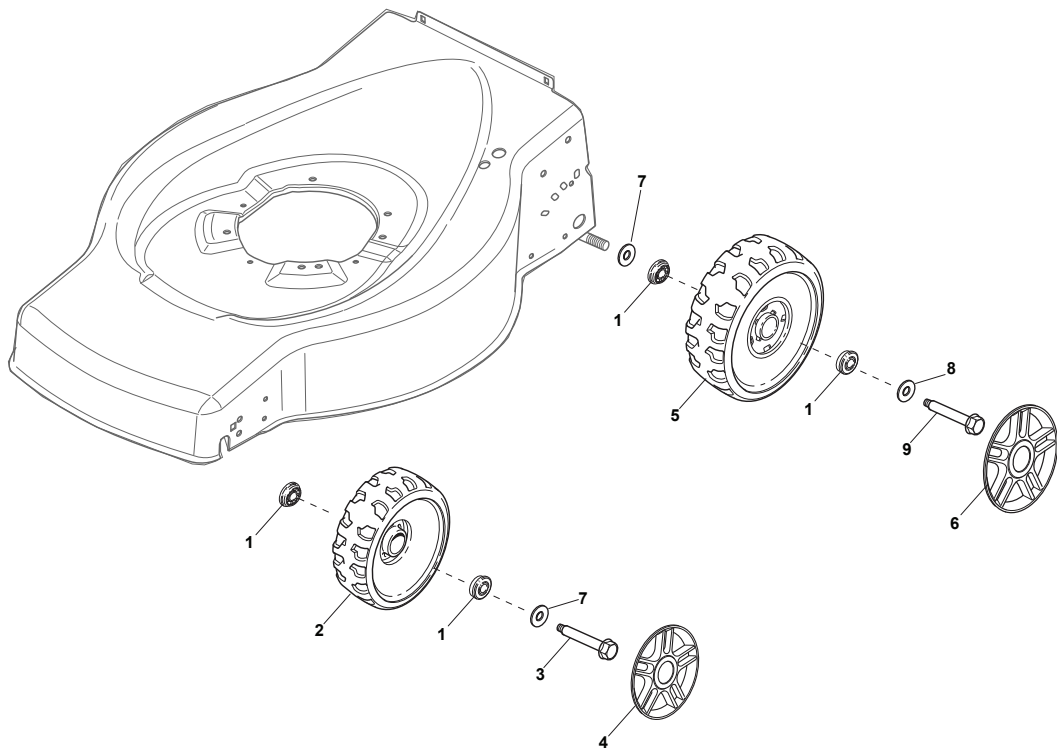
Utgåva Issue 3 - 2015		Reglage, nedre Handle, Lower Part			
Pos. Fig.	Antal Quantity	Art nr Part No	Benämning	Description	Anmärkning Notes
1	4	112760605/0	Skruv	Screw	
2	4	112521350/0	Bricka	Washer	
3	1	381007544/0	Reglage, nedre Gul	Handle, Lower Part Yellow	Yellow
4	1	112819120/0	Skruv	Screw	
5	2	122671651/0	Bricka	Washer	
6	2	122399900/0	Knopp	Knob	
7	2	112293200/0	Mutter	Nut	
8	1	381008696/0	Skrusats	Outfit, Screws	



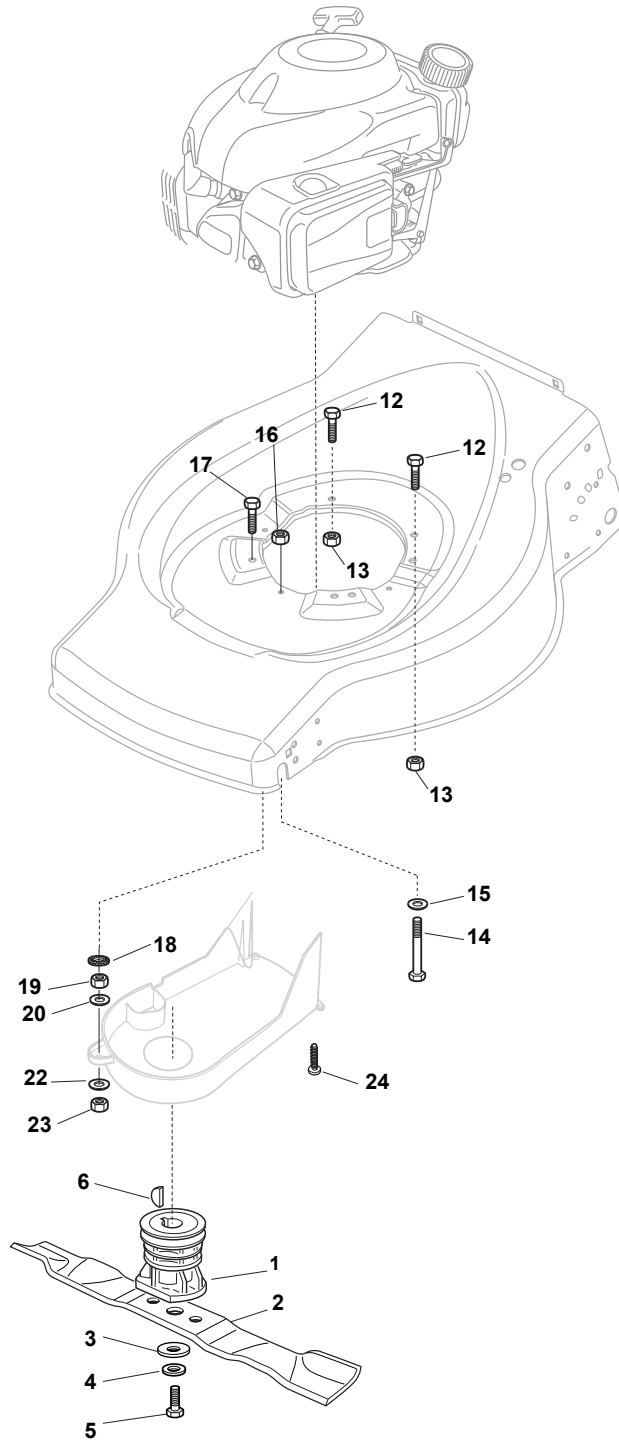
Utgåva Issue 3 - 2015		Reglage, övre Handle, Upper Part			
Pos. Fig.	Antal Quantity	Art nr Part No	Benämning	Description	Anmärkning Notes
1	1	381006739/1	Handtag, övre	Handle, Upper Part	
1	1	381006745/1	Handtag, övre with Gummi	Handle, Upper Part with sponge handgrip	
2	1	122430313/0	Fjäder	Guide Spring	
3	1	112521330/0	Bricka	Washer	
4	1	112154510/0	Mutter	Nut	
5	1	118390020/0	Vajerhallare	Conduit Clip Caproeurope	
6	1	181003363/1	Reglagebygel	Lever, Engine Brake Black	Black
7	1	181030087/0	Motorbromswire	Cable, Thread Engine Brake	GGP 100cc Engine
8	1	112727783/0	Skruv	Screw	
9	1	112154510/0	Mutter	Nut	
10	1	181003364/0	Spak Handtag	Drive Control Lever	Black
11	1	381030082/0	Kopplingswire	Cable Rear Drive	
12	1	322551640/0	Plat	Plate	



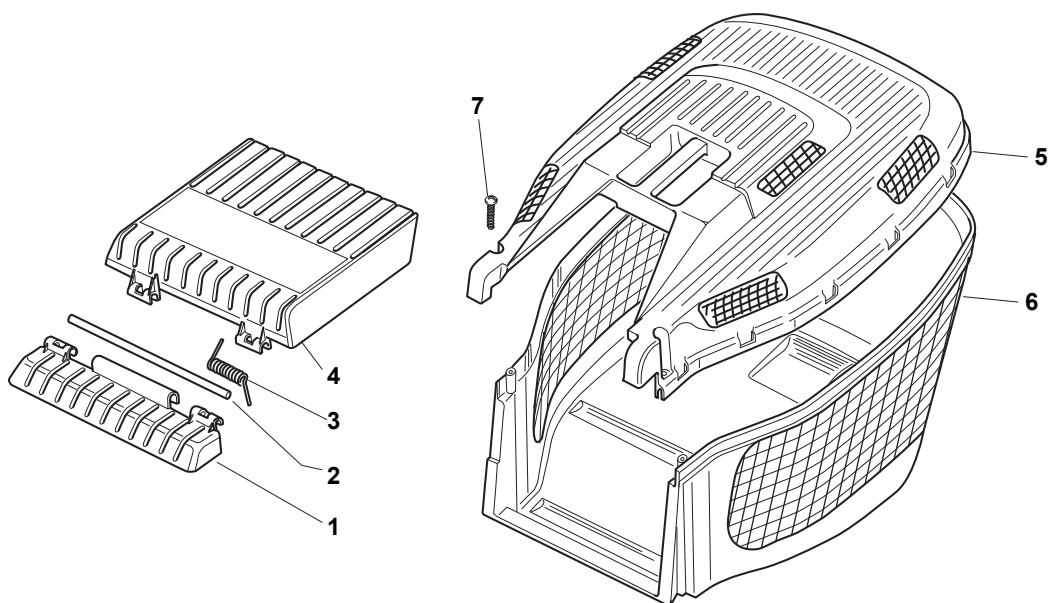
Utgåva Issue 3 - 2015		Bakhjulsdrivning		Transmission	
Pos. Fig.	Antal Quantity	Art nr Part No	Benämning	Description	Anmärkning Notes
1	2	112608520/0	Lasring	Seeger	
2	2	322160520/0	Dammskydd	Dust Cover Disc	
3	2	122570125/0	Drev	Pinion	
4	2	122076645/0	Kil	Key	
5	2	322160520/0	Dammskydd	Dust Cover Disc	
6	2	112622620/0	Spännstift	Pin	
7	2	122122202/0	Kullager	Bearing	
8	2	322600106/1	Hjulskydd	Protection, Wheel	
9	1	381003303/0	Höjdställningsspak	Lever, Height Adjustment	
10	2	112728689/0	Skruv	Screw	
11	1	112713801/0	Dowel	Dowel	
12	1	122601909/0	Remskiva	Pulley	
13	1	181003093/1	Transmission kpl	Gear Box	
15	2	122753001/0	Spännstift	Pin	
16	1	122450438/0	Fjäder	Spring	
17	1	135063750/0	Drivrem	Belt	



Utgåva Issue 3 - 2015		Hjul och navkapsel Wheels and Hub Caps			
Pos. Fig.	Antal Quantity	Art nr Part No	Benämning	Description	Anmärkning Notes
1	8	122122200/0	Kullager	Bearing	
2	2	322686091/1	Hjul	Wheel	
3	4	122524341/0	Stift	Pin	
4	2	322110491/0	Navkapsel Gra	Hub Cap Grey	Grey
5	2	322686092/0	Hjul	Wheel	
6	2	322110492/0	Navkapsel Gra	Hub Cap Grey	Grey
7	4	122675100/0	Bricka	Washer	
8	2	112523050/0	Bricka	Washer	
9	2	122524341/0	Stift	Pin	



Utgåva Issue 3 - 2015		Kniv Blade			
Pos. Fig.	Antal Quantity	Art nr Part No	Benämning	Description	Anmärkning Notes
1	1	122465607/3	Knivfäste D22,2	Hub With Pulley, Crankshaft Ø 22.2	
2	1	181004365/3	Mulcherkniv	Mulching Blade	
3	1	122160400/0	Fjäderbricka	Elastic Disc	
4	1	112523080/0	Bricka	Washer	
5	1	112735698/0	Skruv	Screw	
6	1	112139100/0	Kil	Key	
12	2	112691100/0	Skruv	Screw	
13	2	112154210/0	Mutter	Nut	
14	2	112691700/0	Skruv	Screw	
15	1	112540060/0	Bricka	Washer	
16	1	112154210/0	Mutter	Nut	
17	3	112691100/0	Skruv	Screw	
18	1	112540060/0	Bricka	Washer	
19	1	112293200/0	Mutter	Nut	
20	1	122671651/0	Bricka	Washer	
22	1	325670011/0	Bricka	Antifriction Washer	
23	1	112155000/0	Mutter	Nut	
24	2	112728686/0	Skruv	Screw	



Utgåva Issue 3 - 2015		Gräsuppsamlare Grass-Catcher			
Pos. Fig.	Antal Quantity	Art nr Part No	Benämning	Description	Anmärkning Notes
4	1	322600100/2	Stenskydd	Stone-Guard	Yellow
1	1	322486400/0	Hallare	Stone Guard Support	
2	1	122517858/0	Stift	Pin	
3	1	122450431/0	Fjäder	Spring	
5	1	322486122/0	Uppsamlare-Överdel (Svart)	Grasscatcher Upper Part Black	
6	1	322486128/0	Uppsamlare-Underdel (Sv)	Grassbox Lower Part	
7	2	112728686/0	Skruv	Screw	

code	pos.	q.ty	page				
112139100/0	6	1	p. 15	322140226/0	34	1	p. 5
112154210/0	13	2	p. 15	322160520/0	2	2	p. 11
112154210/0	16	1	p. 15	322160520/0	5	2	p. 11
112154510/0	4	1	p. 9	322486122/0	5	1	p. 17
112154510/0	9	1	p. 9	322486128/0	6	1	p. 17
112155000/0	5	2	p. 3	322486400/0	1	1	p. 17
112155000/0	23	1	p. 15	322545189/0	6	4	p. 5
112293200/0	7	2	p. 7	322551640/0	12	1	p. 9
112293200/0	19	1	p. 15	322600095/0	6	2	p. 3
112521330/0	3	1	p. 9	322600100/2	4	1	p. 17
112521350/0	2	4	p. 7	322600106/1	8	2	p. 11
112523050/0	8	2	p. 13	322600106/1	16	2	p. 3
112523080/0	4	1	p. 15	322686091/1	2	2	p. 13
112540060/0	15	1	p. 15	322686092/0	5	2	p. 13
112540060/0	18	1	p. 15	325670011/0	7	2	p. 3
112608520/0	1	2	p. 11	325670011/0	22	1	p. 15
112622620/0	6	2	p. 11	381000153/0	3	1	p. 3
112691100/0	12	2	p. 15	381000159/0	13	2	p. 3
112691100/0	17	3	p. 15	381003303/0	9	1	p. 11
112691700/0	14	2	p. 15	381003303/0	17	1	p. 3
112713801/0	11	1	p. 11	381004745/0	1	1	p. 3
112727783/0	8	1	p. 9	381006739/1	1	1	p. 9
112728686/0	2	6	p. 5	381006745/1	1	1	p. 9
112728686/0	7	2	p. 5	381007544/0	3	1	p. 7
112728686/0	7	2	p. 17	381008696/0	8	1	p. 7
112728686/0	24	2	p. 15	381030082/0	11	1	p. 9
112728689/0	10	2	p. 11				
112728689/0	18	2	p. 3				
112735698/0	5	1	p. 15				
112760600/0	4	2	p. 3				
112760605/0	1	4	p. 7				
112819120/0	4	1	p. 7				
118390020/0	5	1	p. 9				
122033317/0	12	1	p. 3				
122076645/0	4	2	p. 11				
122122200/0	1	8	p. 13				
122122202/0	7	2	p. 11				
122122202/0	19	4	p. 3				
122131750/0	2	2	p. 3				
122160400/0	3	1	p. 15				
122399900/0	6	2	p. 7				
122430313/0	2	1	p. 9				
122450431/0	3	1	p. 17				
122450438/0	16	1	p. 11				
122465607/3	1	1	p. 15				
122517858/0	2	1	p. 17				
122524341/0	3	4	p. 13				
122524341/0	9	2	p. 13				
122570125/0	3	2	p. 11				
122601909/0	12	1	p. 11				
122671651/0	5	2	p. 7				
122671651/0	20	1	p. 15				
122675100/0	7	4	p. 13				
122753001/0	14	2	p. 3				
122753001/0	15	2	p. 11				
135063750/0	17	1	p. 11				
181003093/1	13	1	p. 11				
181003363/1	6	1	p. 9				
181003364/0	10	1	p. 9				
181004365/3	2	1	p. 15				
181030087/0	7	1	p. 9				
322060212/0	21	1	p. 5				
322108271/0	1	1	p. 5				
322108272/2	5	1	p. 5				
322110491/0	4	2	p. 13				
322110492/0	6	2	p. 13				