



Reservdelskatalog Parts Catalogue

COLLECTOR 48 B

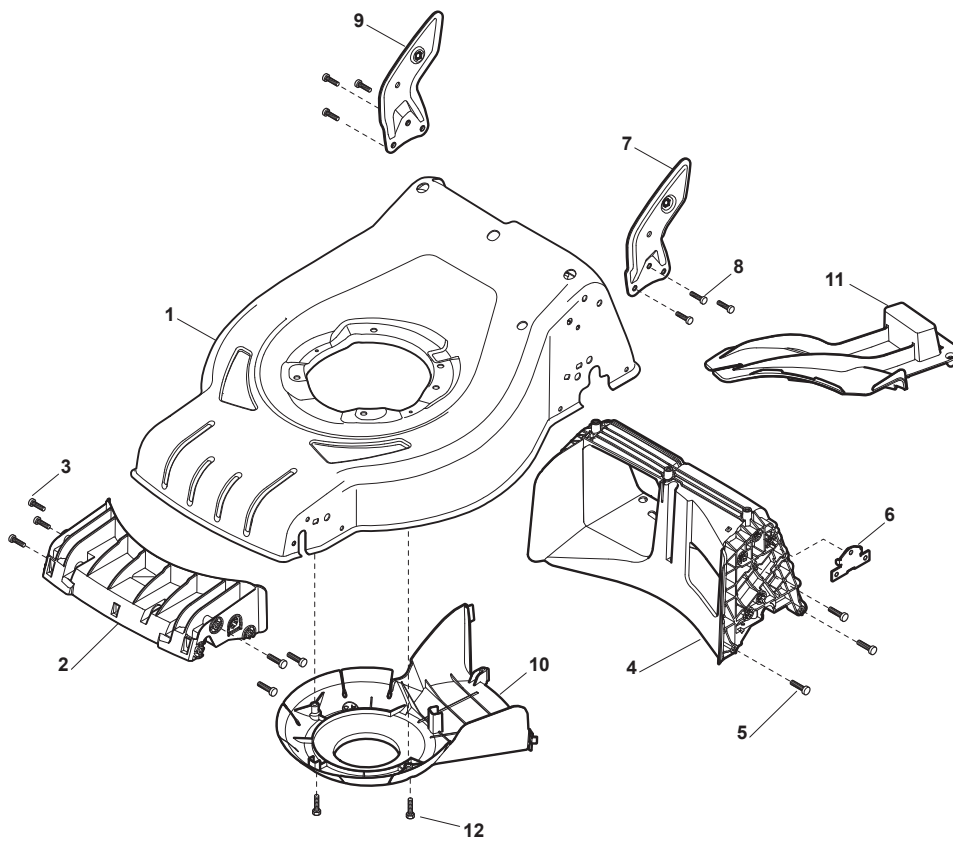
295485128/S14 - Season 2015

- Use GLOBAL GARDEN PRODUCT Genuine Spare Parts specified in the parts list for repair and/or replacement.
 - The contents described in the parts list may change due to improvement.
 - The drawings of the spare parts are only indicative and might not represent the part in question exactly.
 - The indications "right" - "left" - "front" - "rear" refer to the position of the operator when using the machine.
- When placing orders of parts for repair and/or replacement, make sure that the illustrated parts list is the one applying to the machine's year of manufacture, as shown on the identification plate attached to the machine.

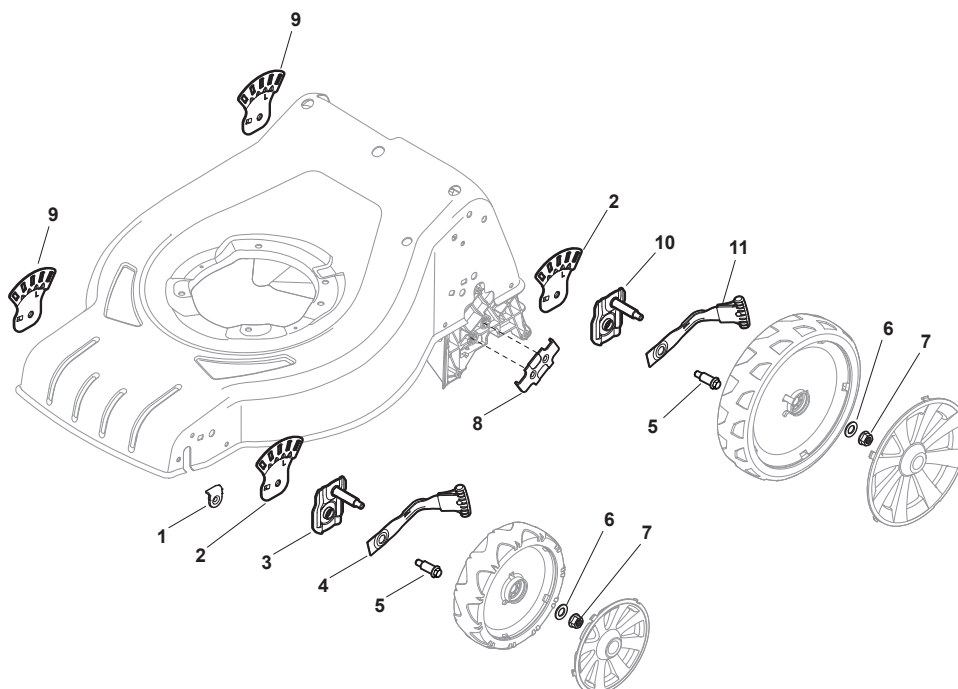
© Copyright 2015 Global Garden Products

All rights reserved. No part of this material may be reproduced or transmitted, in any form or by any means, electronic or mechanical, including photocopying, recording or by any information storage and retrieval system, without permission in writing from GLOBAL GARDEN PRODUCTS.

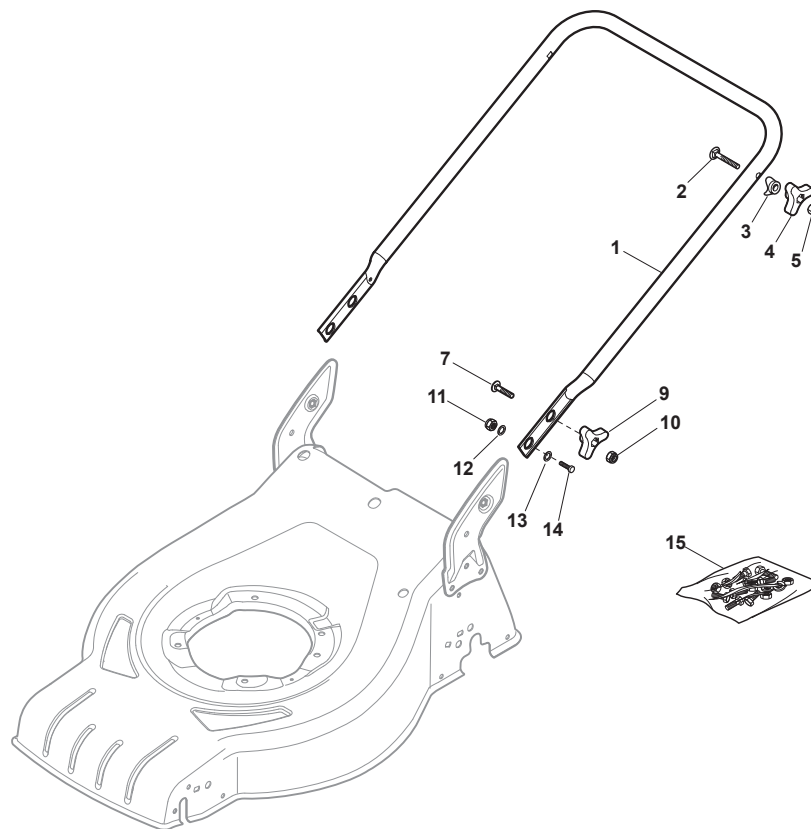
www.stiga.com



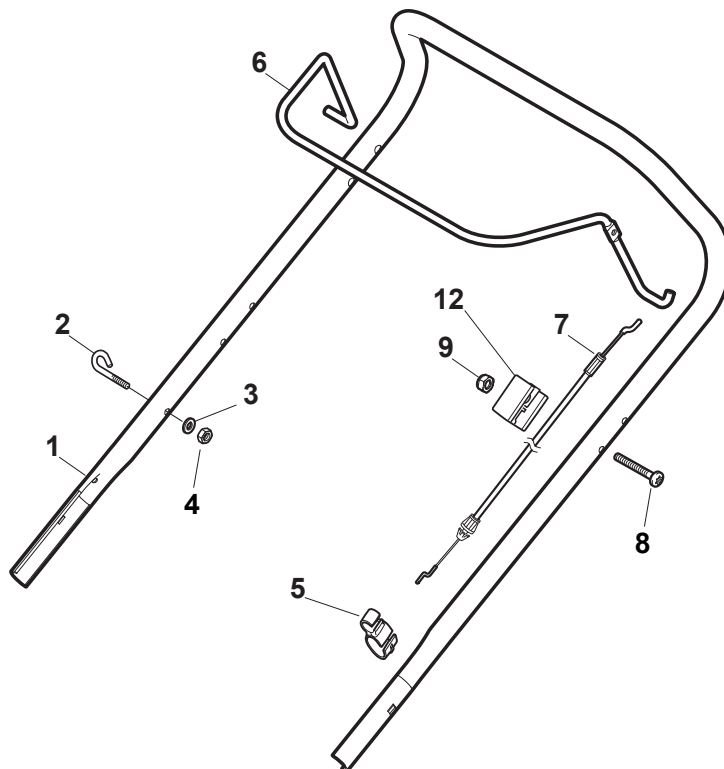
Utgåva Issue 3 - 2015		Kapa Deck			
Pos. Fig.	Antal Quantity	Art nr Part No	Benämning	Description	Anmärkning Notes
1	1	381004729/0	Chassi-gra	Grey Deck	
2	1	322108301/1	Plastfront Transportör	Front Conveyor Assy	
3	6	112728699/0	Skruv	Screw	
4	1	322108302/0	Bakre skyddLuftledare	Rear Conveyor Assy	
5	6	112728699/0	Skruv	Screw	
6	2	322545213/0	Plat	Plate	
7	1	381005139/0	Fäste-vä	Left Bracket	
8	6	112727801/0	Skruv	Screw	
9	1	381005137/0	Fäste-hö	Right Bracket	
10	1	322060242/0	Remskydd	Belt Protection	
11	1	322140239/0	Mulcherinsats	Mulching Deflector	
12	2	112728530/0	Skruv	Screw	



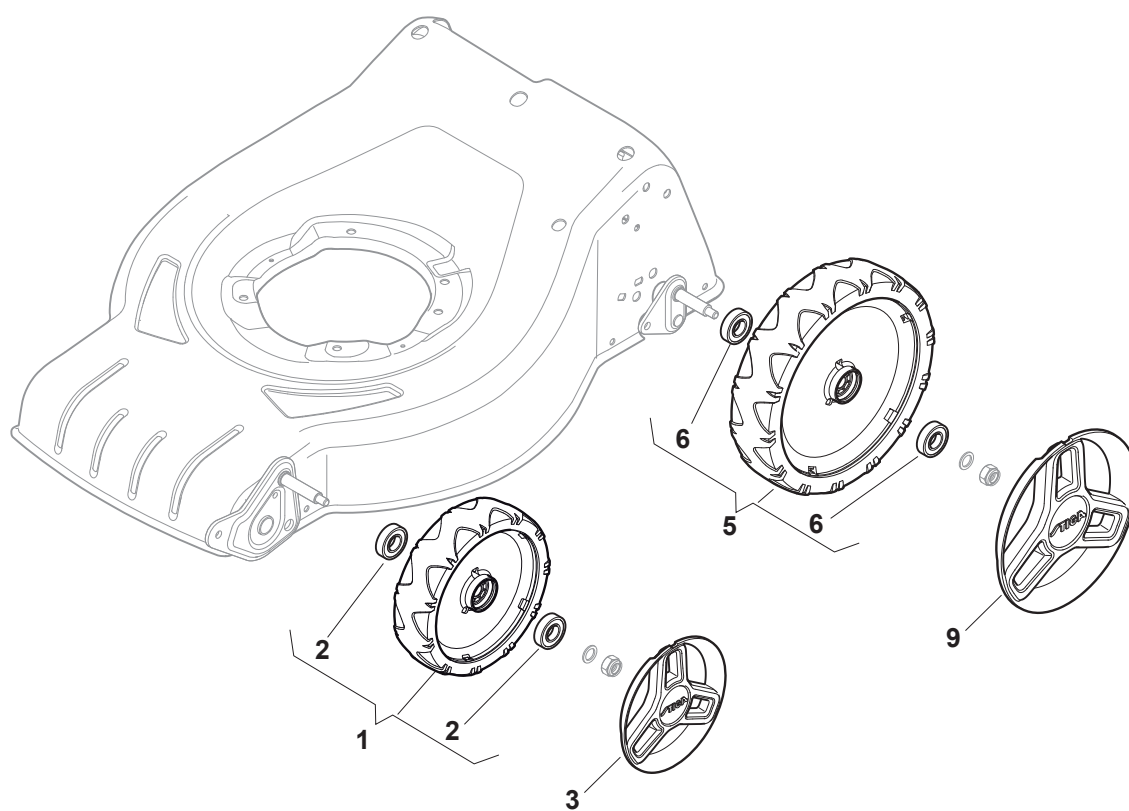
Utgåva Issue 3 - 2015		Höjdinställning Height Adjusting			
Pos. Fig.	Antal Quantity	Art nr Part No	Benämning	Description	Anmärkning Notes
1	2	322545189/0	Plat	Plate	
2	2	322735597/1	Höjjustering sektor	Sector, Height Adjustment	
3	2	381005141/0	Hjulfäste	Wheel Support	
4	2	381003354/0	Höjdinställningsspak	Lever, Height Adjustment	
5	4	122519811/0	Stift	Pin	
6	4	112521350/0	Bricka	Washer	
7	4	112155000/0	Mutter	Nut	
8	2	322545211/0	Plat	Plate	
9	2	322735595/1	Höjjustering sektor	Sector, Height Adjustment	
10	2	381005143/0	Hjulfäste	Wheel Support	
11	2	381003442/0	Höjjusteringsspak	Lever, Height Adjustment	



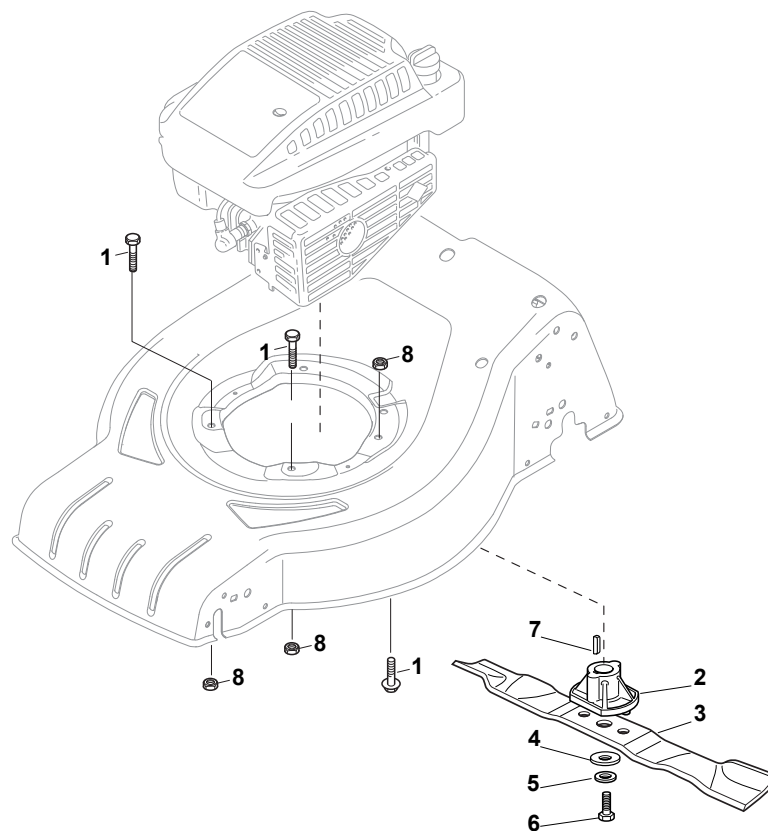
Utgåva Issue 3 - 2015		Reglage, nedre Handle, Lower Part			
Pos. Fig.	Antal Quantity	Art nr Part No	Benämning	Description	Anmärkning Notes
1	1	381007537/0	Reglage, nedre Gul	Handle, Lower Part Yellow	Yellow
2	2	112819110/0	Skruv	Screw	
3	2	122671651/0	Bricka	Washer	
4	2	122399900/0	Knopp	Knob	Black
5	2	112293200/0	Mutter	Nut	
7	2	112818900/0	Skruv	Screw	
9	2	122399900/0	Knopp	Knob	Black
10	2	112293200/0	Mutter	Nut	
11	2	112155000/0	Mutter	Nut	
12	2	112521350/0	Bricka	Washer	
13	2	112369500/0	Bricka	Elastic Washer	
14	2	112760605/0	Skruv	Screw	
15	1	381008691/0	Skruvsats	Outfit, Screws	Black



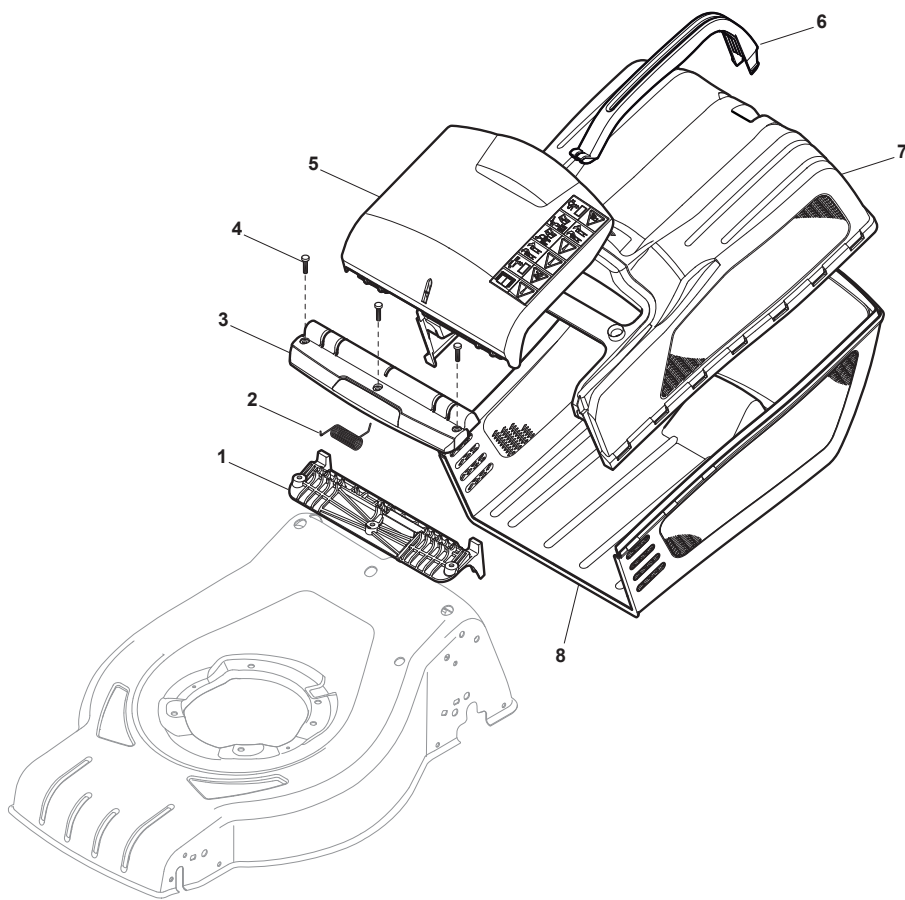
Utgåva Issue 3 - 2015		Reglage, övre Handle, Upper Part			
Pos. Fig.	Antal Quantity	Art nr Part No	Benämning	Description	Anmärkning Notes
1	1	381006753/0		Handle, Upper Part Yellow	
2	1	122430313/0	Fjäder	Guide Spring	
3	1	112521330/0	Bricka	Washer	
4	1	112154510/0	Mutter	Nut	
5	1	118390020/0	Vajerhallare	Conduit Clip Caproeurope	
6	1	181003363/1	Reglagebygel	Lever, Engine Brake Black	Black
7	1	181030056/0	Motorbromswire	Cable, Thread Engine Brake	GGP 100cc / GGP /B&S Engine
8	1	112727783/0	Skruv	Screw	
9	1	112154510/0	Mutter	Nut	
12	1	322551640/0	Plat	Plate	



Utgåva Issue 3 - 2015		Hjul och navkapsel Wheels and Hub Caps			
Pos. Fig.	Antal Quantity	Art nr Part No	Benämning	Description	Anmärkning Notes
1	2	381007450/1	Hjul	Wheel	
2	4	119216035/0	Lager	Bearing	
3	2	322110744/0	Navkapsel Gra	Hub Cap Grey	
5	2	381007456/1	Hjul	Wheel	
6	4	119216035/0	Lager	Bearing	
9	2	322110745/0	Navkapsel Gra	Hub Cap Grey	



Utgåva Issue 3 - 2015		Kniv Blade			
Pos. Fig.	Antal Quantity	Art nr Part No	Benämning	Description	Anmärkning Notes
1	2	112691100/0	Skruv	Screw	
1	1	112691800/0	Skruv	Screw	
2	1	122463012/2	Knivfäste	Hub, Crankshaft Ø 22.2	
3	1	181004346/3	Kniv	Blade	
4	1	122160400/0	Fjäderbricka	Elastic Disc	
5	1	112523080/0	Bricka	Washer	
6	1	112735698/0	Skruv	Screw	
7	1	112139100/0	Kil	Key	
8	3	112154210/0	Mutter	Nut	



Utgåva Issue 3 - 2015		Gräsuppsamlare Grass-Catcher			
Pos. Fig.	Antal Quantity	Art nr Part No	Benämning	Description	Anmärkning Notes
1	1	322785331/0	Stenskydd Supp. Svart	Black Stone Guard Support	
2	1	122450464/0	Fjäder	Spring	
3	1	322109556/0	Stenskydd Supp.kapa gul	Stone Guard Supp. Cover Yellow	Yellow
4	3	112728699/0	Skruv	Screw	
5	1	322600214/1	Lucka-gul	Stone Guard, Yellow	Yellow
6	1	322393716/0	Handtag Gra	Handle, Grey	Grey NCSS-N
7	1	322486387/0	Uppsamlarecat.Up.Part gra	Grassbox Upper Part, Grey	Grey NCSS-N
8	1	322486388/0	Uppsamlarecat.underdel gra	Grassbox Lower Part, Grey	Grey NCSS-N

code	pos.	q.ty	page
112139100/0	7	1	p. 13
112154210/0	8	3	p. 13
112154510/0	4	1	p. 9
112154510/0	9	1	p. 9
112155000/0	7	4	p. 5
112155000/0	11	2	p. 7
112293200/0	5	2	p. 7
112293200/0	10	2	p. 7
112369500/0	13	2	p. 7
112521330/0	3	1	p. 9
112521350/0	6	4	p. 5
112521350/0	12	2	p. 7
112523080/0	5	1	p. 13
112691100/0	1	2	p. 13
112691800/0	1	1	p. 13
112727783/0	8	1	p. 9
112727801/0	8	6	p. 3
112728530/0	12	2	p. 3
112728699/0	3	6	p. 3
112728699/0	4	3	p. 15
112728699/0	5	6	p. 3
112735698/0	6	1	p. 13
112760605/0	14	2	p. 7
112818900/0	7	2	p. 7
112819110/0	2	2	p. 7
118390020/0	5	1	p. 9
119216035/0	2	4	p. 11
119216035/0	6	4	p. 11
122160400/0	4	1	p. 13
122399900/0	4	2	p. 7
122399900/0	9	2	p. 7
122430313/0	2	1	p. 9
122450464/0	2	1	p. 15
122463012/2	2	1	p. 13
122519811/0	5	4	p. 5
122671651/0	3	2	p. 7
181003363/1	6	1	p. 9
181004346/3	3	1	p. 13
181030056/0	7	1	p. 9
322060242/0	10	1	p. 3
322108301/1	2	1	p. 3
322108302/0	4	1	p. 3
322109556/0	3	1	p. 15
322110744/0	3	2	p. 11
322110745/0	9	2	p. 11
322140239/0	11	1	p. 3
322393716/0	6	1	p. 15
322486387/0	7	1	p. 15
322486388/0	8	1	p. 15
322545189/0	1	2	p. 5
322545211/0	8	2	p. 5
322545213/0	6	2	p. 3
322551640/0	12	1	p. 9
322600214/1	5	1	p. 15
322735595/1	9	2	p. 5
322735597/1	2	2	p. 5
322785331/0	1	1	p. 15
381003354/0	4	2	p. 5
381003442/0	11	2	p. 5
381004729/0	1	1	p. 3
381005137/0	9	1	p. 3
381005139/0	7	1	p. 3
381005141/0	3	2	p. 5
381005143/0	10	2	p. 5
381006753/0	1	1	p. 9
381007450/1	1	2	p. 11
381007456/1	5	2	p. 11
381007537/0	1	1	p. 7
381008691/0	15	1	p. 7