



Reservdelskatalog Parts Catalogue

COMBI 1066 HQ

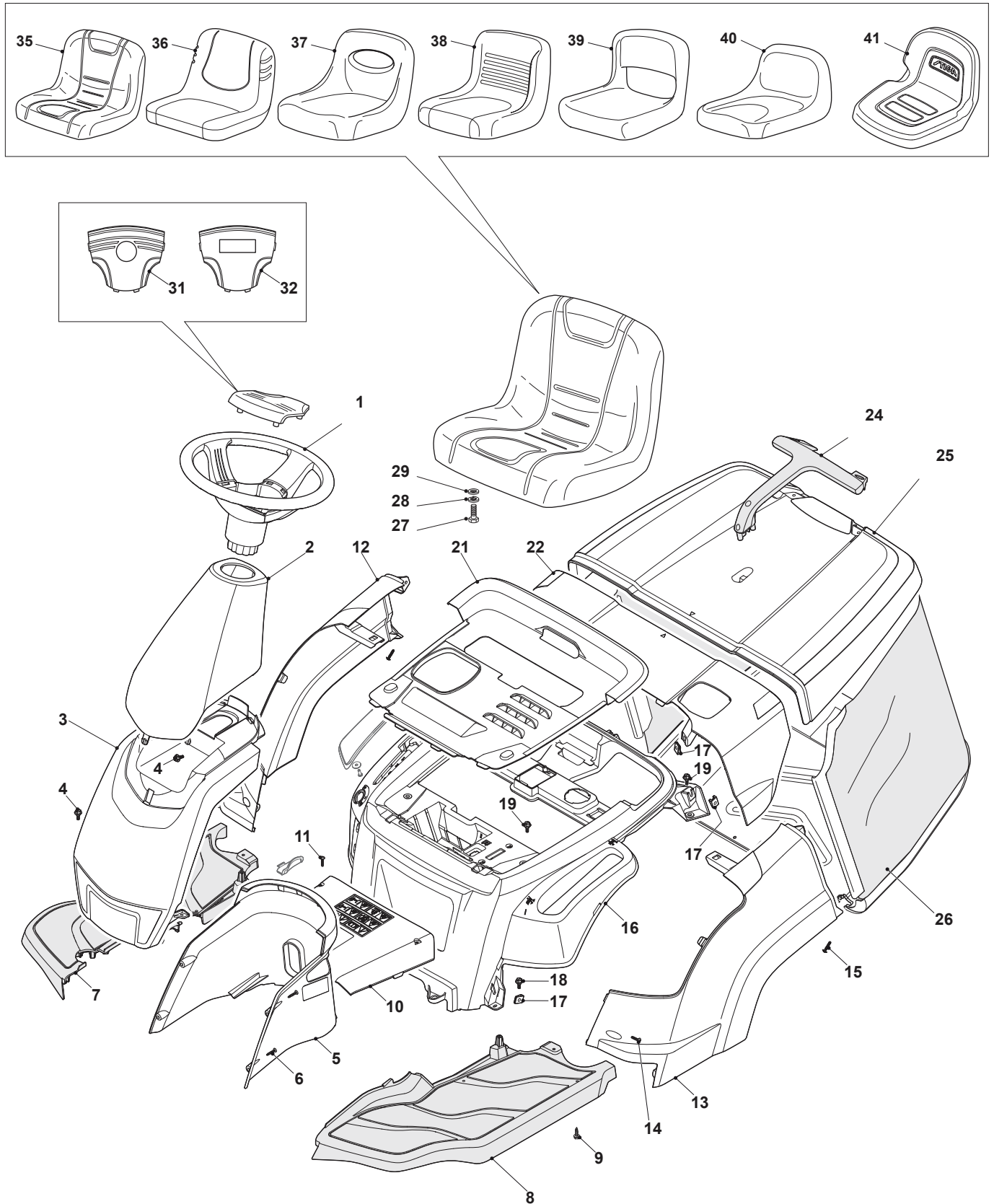
2T0078281/14 - Season 2016

- Use GLOBAL GARDEN PRODUCT Genuine Spare Parts specified in the parts list for repair and/or replacement.
 - The contents described in the parts list may change due to improvement.
 - The drawings of the spare parts are only indicative and might not represent the part in question exactly.
 - The indications "right" - "left" - "front" - "rear" refer to the position of the operator when using the machine.
- When placing orders of parts for repair and/or replacement, make sure that the illustrated parts list is the one applying to the machine's year of manufacture, as shown on the identification plate attached to the machine.

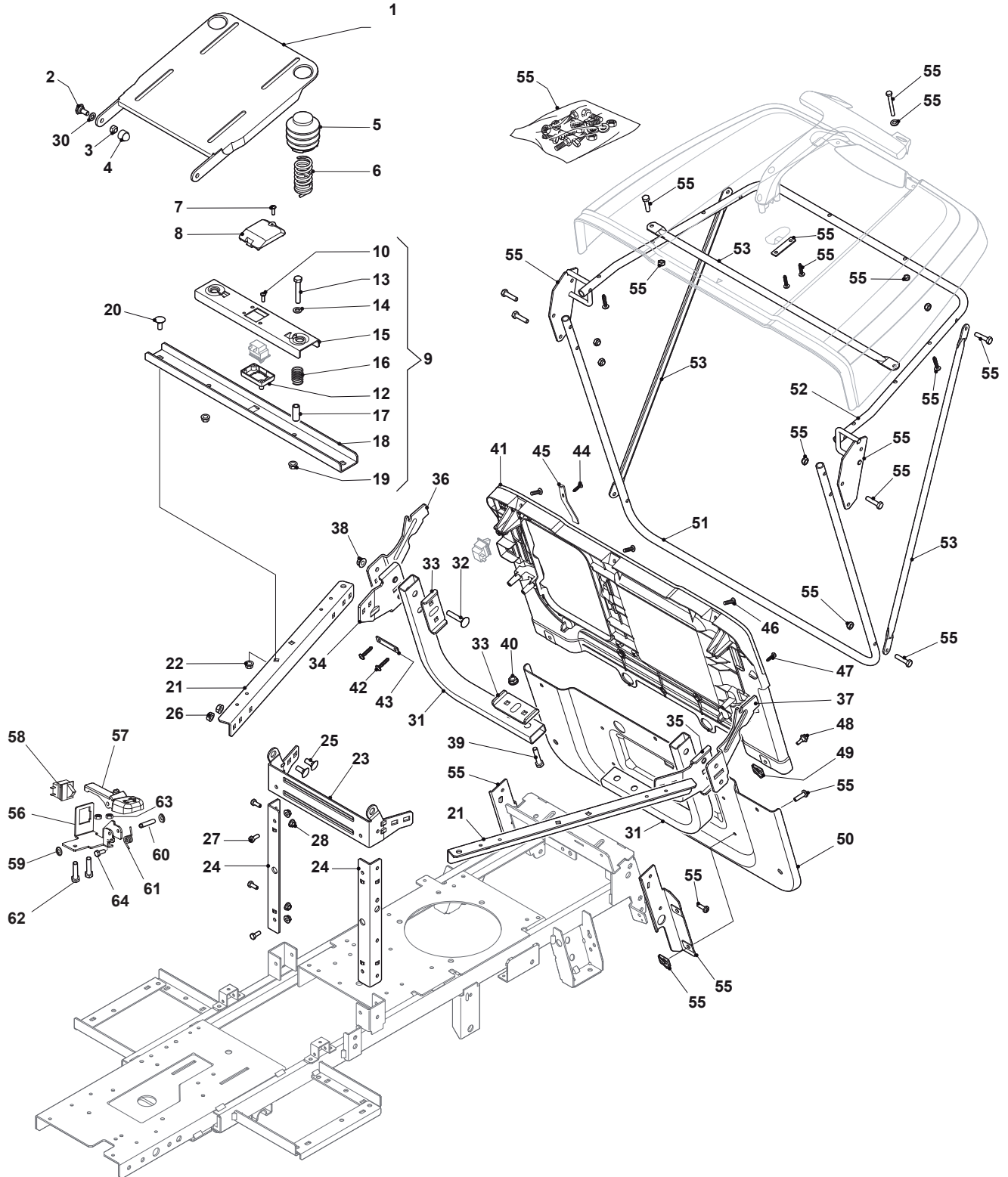
© Copyright 2016 Global Garden Products

All rights reserved. No part of this material may be reproduced or transmitted, in any form or by any means, electronic or mechanical, including photocopying, recording or by any information storage and retrieval system, without permission in writing from GLOBAL GARDEN PRODUCTS.

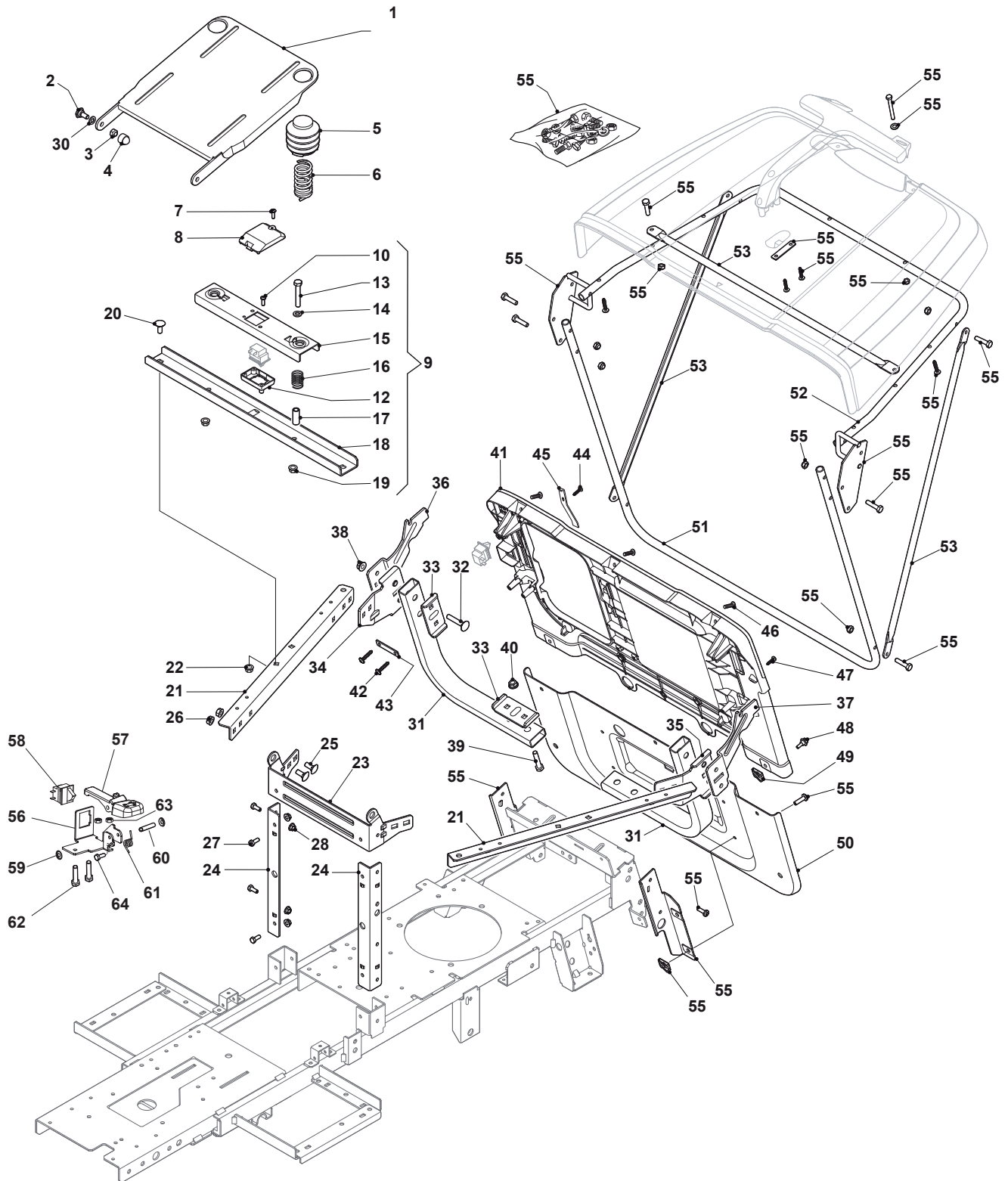
www.stiga.com



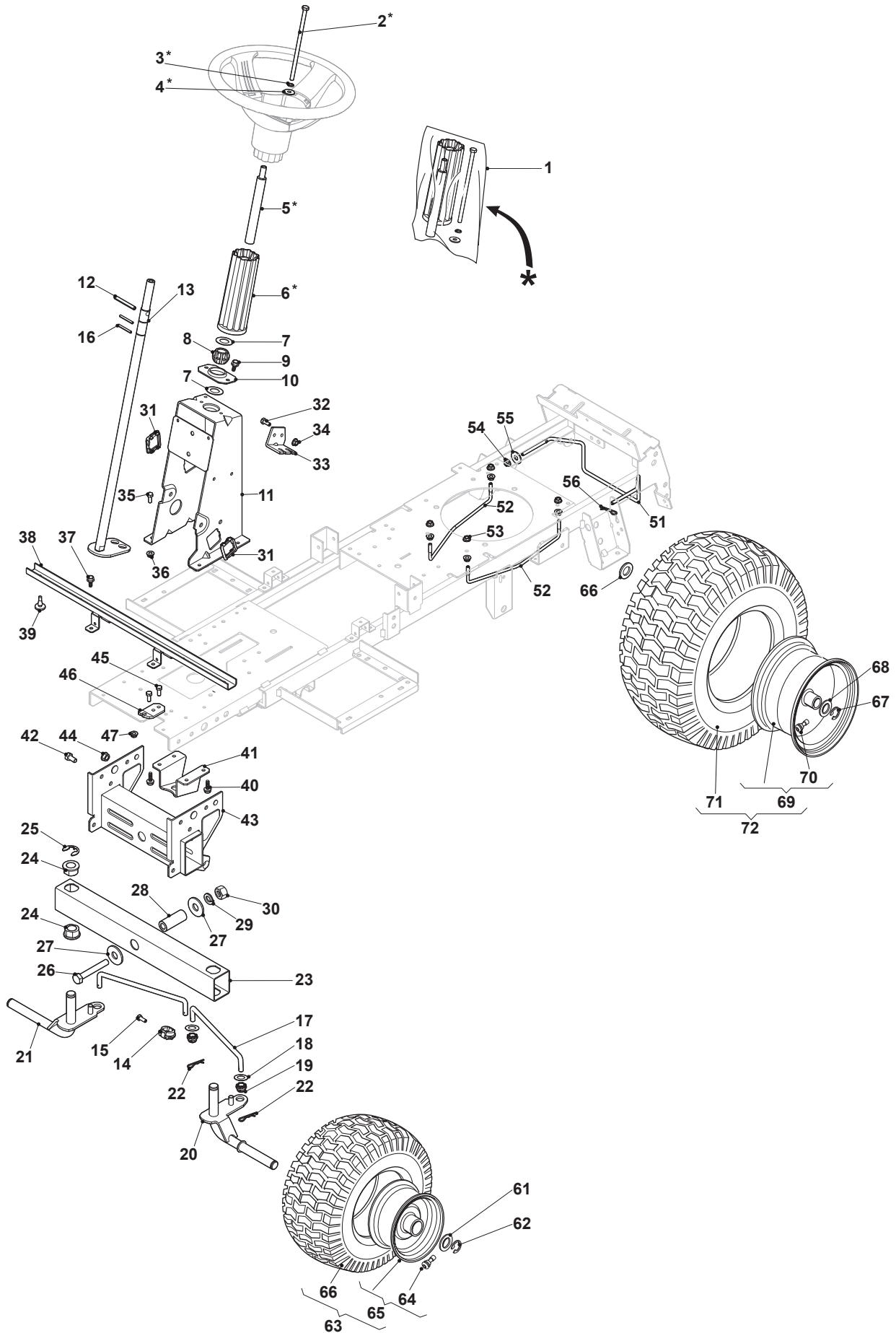
Utgåva Issue 3 - 2016		Kaross Body			
Pos. Fig.	Antal Q.ty	Art nr Part No	Benämning	Description	Anmärkning Notes
1	1	325961220/0	Ratt	Steering Wheel	
2	1	327110519/0	Kapa, Gra STIGA	Steering Column Cover, Grey	
3	1	327110492/0	Kapa- främre, Gul	Protezione Anteriore, Giallo	
4	4	125943010/0	Skruv	Screw	
5	1	327110518/0	Kapa- bakre, Gra STIGA	Rear Cover, Grey Stiga	
6	4	112728300/0	Skruv	Screw	
7	1	327500501/0	Fotstöd	Right Footboard	
8	1	327500500/0	Fotstöd	Left Footboard	
9	14	112735402/0	Skruv	Screw	
11	2	112728300/0	Skruv	Screw	
12	1	327110488/0	Skärm- hö, Gul	Copriuota Destro, Giallo	
13	1	327110490/0	Skärm- vä, Gul	Copriuota Sinistro, Giallo	
14	6	112727801/0	Skruv	Screw	
15	6	112728300/0	Skruv	Screw	
16	1	327110517/1	Grey Frame Cover	Grey Frame Cover	
17	10	112437507/0	Plat	Rapid Fixing Plate	
18	10	112728300/0	Skruv	Screw	
19	6	125943010/0	Skruv	Screw	
21	1	327110481/1	Motorkapa	Engine Black Cover	
22	1	327110494/0	Uppsamlarlock- fast, Gul	Copertura, Giallo	
24	1	327394004/0	Handtag svart	Handle, Black	
25	1	327110484/0	Uppsamlarlock- rörligt, Gul	Grass-Catcher Cover, Yellow	
26	1	184106074/0	Uppsamlingsäck	Box, Fabric	
27	4	112793101/0	Skruv	Screw	
28	4	112583500/0	Lasbricka	Grower	
29	4	112523060/0	Bricka	Washer	
32	1	325580504/0	Styrkonsolkapa, Svart	Steering Plate Cover	
38	1	125722471/0	Sits	Seat	
41	1	125722477/0	Seat	Seat	
10	1	327110567/0	Kåpa, Grå STIGA	Central Cover, Grey	



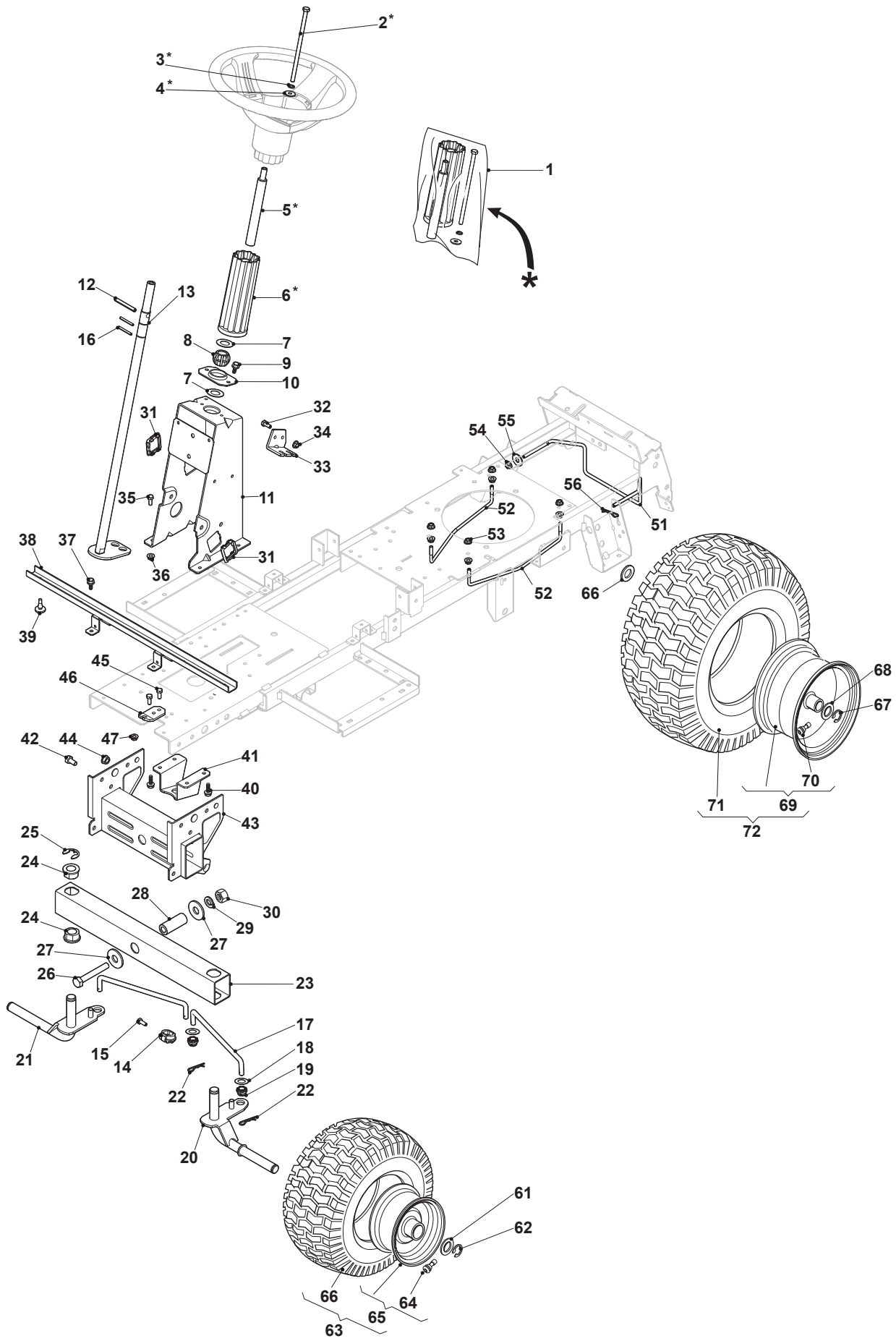
Utgåva Issue 3 - 2016		Kaross	Chassis		
Pos. Fig.	Antal Q.ty	Art nr Part No	Benämning	Description	Anmärkning Notes
1	1	382547061/0	Plat	Plate	
2	2	122524970/3	Stift	Pin	
3	2	112155010/0	Mutter	Nut	
4	2	118203854/0	Lock	Cap	
5	2	327737500/0	Dämpare	Protection Hood	
6	2	127430589/0	Fjäder	Spring	
7	1	112728706/0	Skruv	Screw	
8	1	327110508/0	Micro Sits kapa	Switch Cover	
9	1	384394751/1	Mikrobrytare	Micro	
10	2	112728686/0	Skruv	Screw	
11	1	119410606/0	Mikrobrytare	Microswitch	
12	1	325785379/1	Fäste	Support	
13	2	112691400/0	Skruv	Screw	
14	2	112521350/0	Bricka	Washer	
15	1	327543047/0	Fäste	Plate	
16	2	125430263/0	Fjäder	Spring	
17	2	125160048/0	Distans	Spacer	
18	1	327787089/0	Fäste	Support	
19	2	112293201/0	Mutter	Nut	
20	2	112818690/0	Skruv	Screw	
21	2	327650131/0	OberteilStärkung	Upper Stiffening	
22	2	112293201/0	Mutter	Nut	
23	1	327543039/0	Skyddsplåt	Backup Plate	
24	2	327010209/0	Vinkelfäste	Angular	
25	8	112818690/0	Skruv	Screw	
26	8	112293201/0	Mutter	Nut	
27	8	112791200/1	Skruv	Screw	
28	8	112154510/0	Mutter	Nut	
30	2	122675110/0	Bricka	Washer	
31	2	327869063/0	RörUppsamlarebag Fulcrum Fäste	Pipe	
32	4	112819105/0	Skruv	Screw	
33	4	327543029/0	Konsol	Plate	
34	1	327772171/0	Fäste-hö	Bracket, Right	
35	1	327772213/0	Fäste-hö	Bracket, Right	
36	1	327772225/0	Fäste-vä	Bracket, Left	
37	1	327772215/1	Fäste-vä	Bracket, Left	
38	4	112154210/0	Mutter	Nut	
39	4	112691115/0	Skruv	Screw	
40	4	112154210/0	Mutter	Nut	
41	1	327543027/0	Konsol	Plate	
42	4	112728300/0	Skruv	Screw	
43	2	322545142/0	Plat	Plate	
44	1	112728300/0	Skruv	Screw	
45	1	127430600/0	Fjäder	Spring	
46	3	112727801/0	Skruv	Screw	
47	2	112728300/0	Skruv	Screw	
48	2	125943010/0	Skruv	Screw	
49	2	112437507/0	Plat	Rapid Fixing Plate	
50	1	327543025/0	Konsol	Plate	



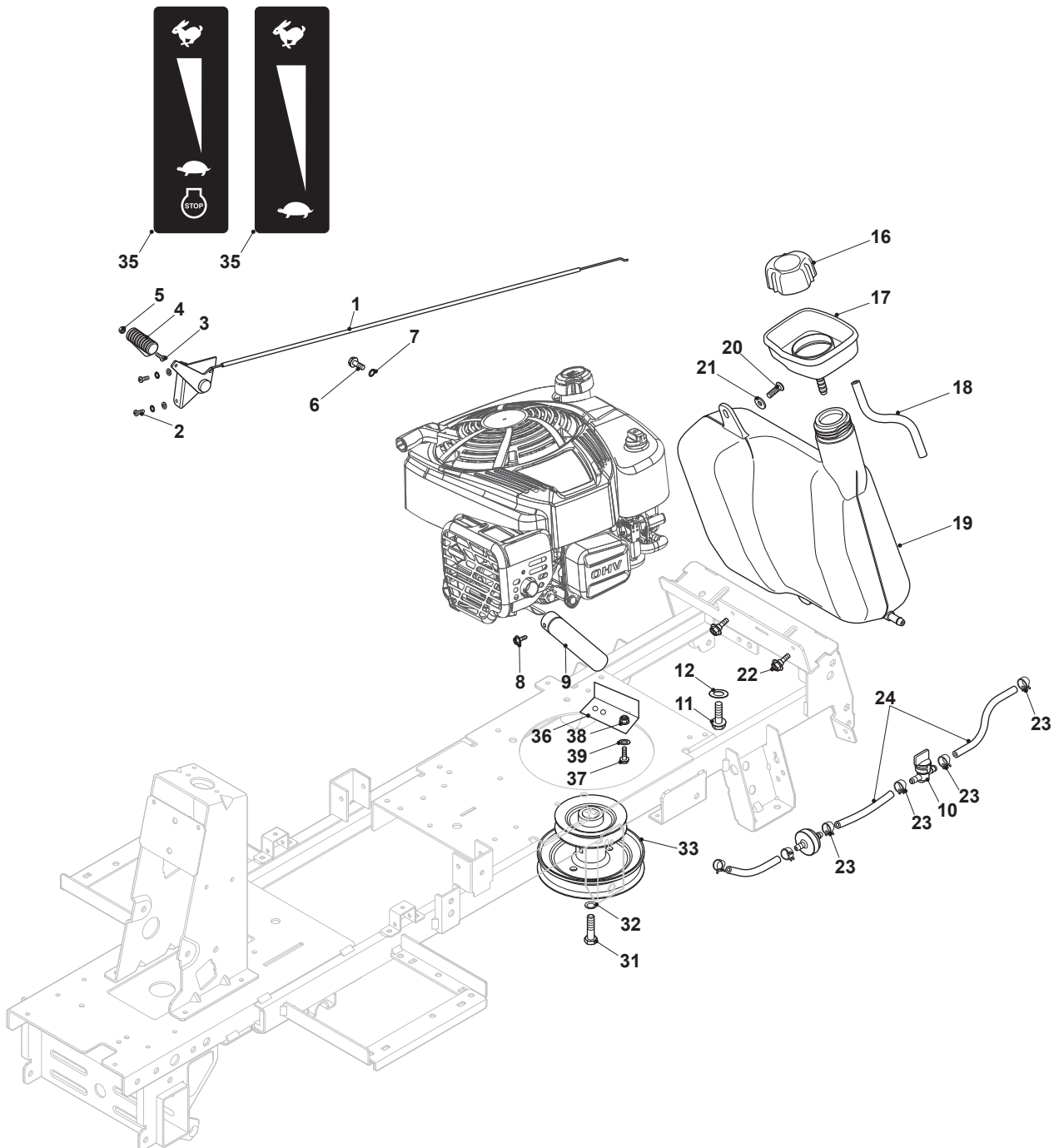
Utgåva Issue 3 - 2016		Kaross Chassis			
Pos. Fig.	Antal Q.ty	Art nr Part No	Benämning	Description	Anmärkning Notes
51	1	384801145/0	Ram, främre	Grasscatcher Frame	
52	1	384801147/0	Ram, övre	Grasscatcher Upper Frame	
53	3	327650133/0	OberteilStärkung	Upper Stiffening	
55	1	384180218/1	Skruvsats	Outfit, Screws	
56	1	327772241/0	Fäste	Clamp	
57	1	327500065/0	Pedal	Pedal	
58	1	119410614/0	Mikrobrytare	Microswitch	
59	2	112604896/0	Starlock P6493 6	Crown Fastener	
60	1	122517866/0	Stift	Pin	
61	1	122450457/0	Fjäder	Safety Spring	
62	2	112791400/0	Skruv	Screw	
63	2	112292102/0	Mutter	Nut	
64	1	112728440/0	Skruv	Screw	



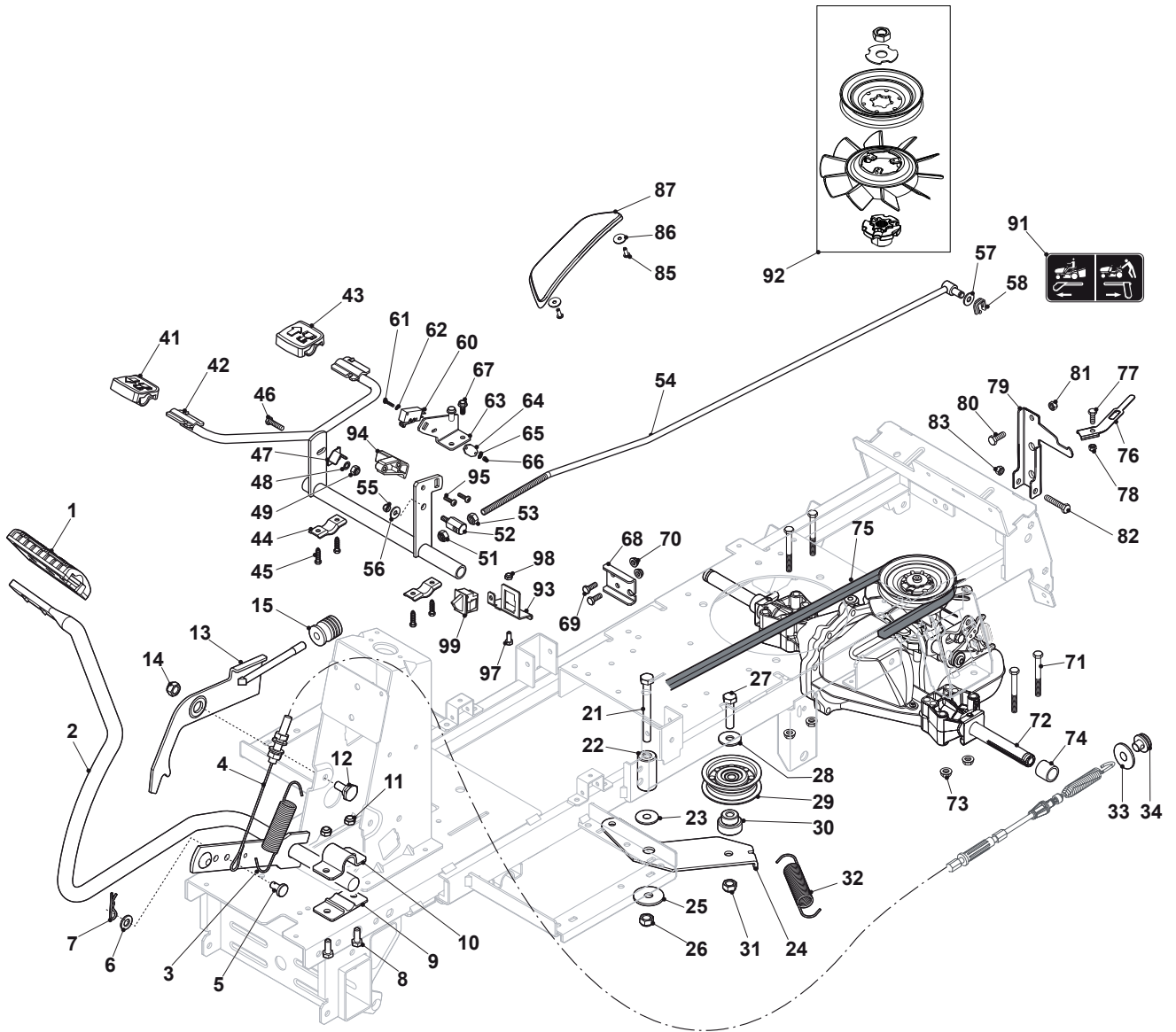
Utgåva Issue 3 - 2016		Steering			
Pos. Fig.	Antal Q.ty	Art nr Part No	Benämning	Description	Anmärkning Notes
1	1	384180219/0	Skrusatz	Outfit, Screws	
2	1	127840055/0	Stag	Tie Rod	
3	1	112540260/0	Lasbricka 8.4X15X0.8	Grower	
4	1	112523070/0	Bricka	Washer	
5	1	127160060/0	Rattstang Distans	Extension column	
6	1	325785419/0	Rattfäste	Steering Wheel Support	
7	2	125670023/0	Bricka	Washer	
8	1	122746617/0	Länk	Joint	
9	2	112735121/0	Skruv	Screw	
10	1	327787091/0	Länk Skydd	Joint Support	
11	1	384773575/0	Fäste	Front Bracket Support	
12	1	112620300/0	Fjäder	Spring	
13	1	384520051/0	Rattstang	Steering Column	
14	1	327045074/0	Bricka	Bush	
15	2	125943004/0	Skruv	Screw	
16	2	112620210/0	Spännstift	Elastic Pin	
17	2	127034091/0	Stang	Rod	
18	4	112521350/0	Bricka	Washer	
19	4	327045072/0	Bussning	Bushing	
20	1	384230411/0	SHarnalssprintdel-Vä	Left Stub Axle	
21	1	384230409/0	SHarnalssprintdel-Hö	Right Stub Axle	
22	4	124487995/0	Harnalssprint	Cotter Pin	
23	1	327869061/0	Rör	Tube	
24	4	127047019/0	Bussning	Bushing	
25	2	112000970/0	Lasring	Ring (Benzing)	
26	1	112794950/0	Skruv	Screw	
27	2	112523080/0	Bricka	Washer	
28	1	127160062/0	Distans	Spacer	
29	1	112585100/0	Bricka	Washer	
30	1	112295200/0	Mutter	Nut	
31	2	327580500/0	Platta	Plate	
32	2	112791200/1	Skruv	Screw	
33	1	327772199/0	Fäste	Front Bracket	
34	2	112292102/0	Mutter	Nut	
35	4	112791200/1	Skruv	Screw	
36	4	112292102/0	Mutter	Nut	
37	4	112735122/1	Skruv	Screw	
38	1	384783061/0	Fäste, fotstöd kpl	Footboard Support	
39	1	127275000/0	Gummiplugg	Grommet	
40	4	112735122/1	Skruv	Screw	
41	1	327772165/1	Fäste	Bracket	
42	4	112792611/0	Skruv	Screw	
43	1	384783059/0	Fäste kpl	Forecarriage Support	
44	4	112293201/0	Mutter	Nut	
45	2	112791200/1	Skruv	Screw	
46	1	327772209/0	Fäste	Bracket	
47	2	112292102/0	Mutter	Nut	
51	1	127294009/0	Remstyrning	Belt Guide	
52	2	127294010/1	Remstyrning	Belt Guide	



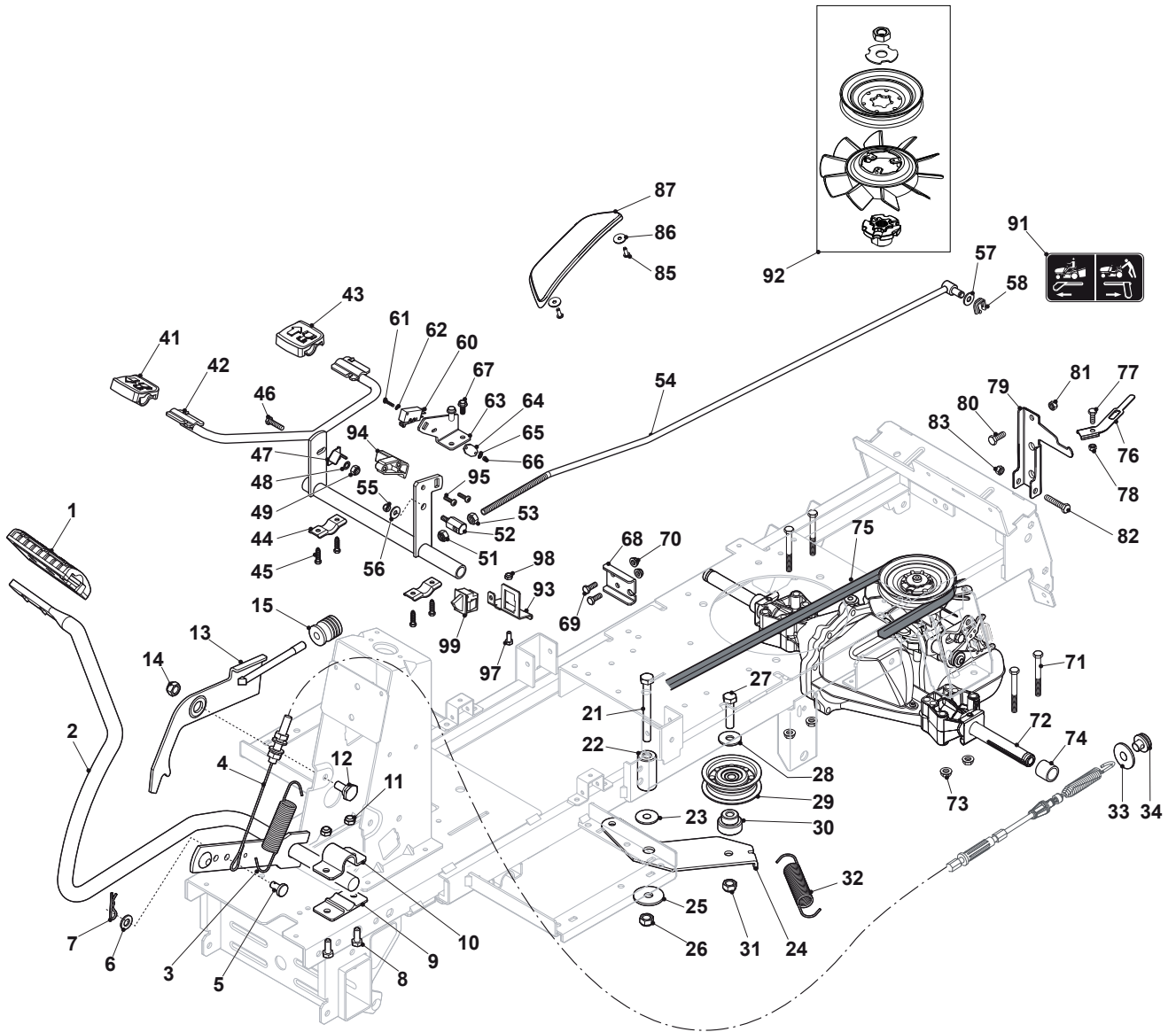
Utgåva Issue 3 - 2016		Steering			
Pos. Fig.	Antal Q.ty	Art nr Part No	Benämning	Description	Anmärkning Notes
53	8	112292102/0	Mutter	Nut	
54	1	112154510/0	Mutter	Nut	
55	1	112521330/0	Bricka	Washer	
56	1	124487997/0	Lasnal	Cotter Pin	
61	2	112000970/0	Lasring	Ring (Benzing)	
62	2	112521390/0	Bricka	Washer	
63	2	384680074/0	Framhjul	Front Wheel	Wheels Type A
64	2	125590000/0	Däck (Turf Saver)	Front Tyre	
65	2	184044015/0	Fälg kpl 13Inch	Front Wheel Rimm	Wheels Type A
66	2	125590018/0	Däck	Tyre	Wheels Type A
67	2	112001010/0	Lasring	Benzing Ring	
68	4	125670005/2	Bricka	Washer	
69	2	184044013/0	BakhjulFälged	Rimm	
70	2	125590000/0	Däck (Turf Saver)	Front Tyre	
71	2	127590068/0	Däck	Tyre	Wheels Type A
72	2	384680076/0	Bakhjul Kpl	Rear Wheel	Wheels Type A



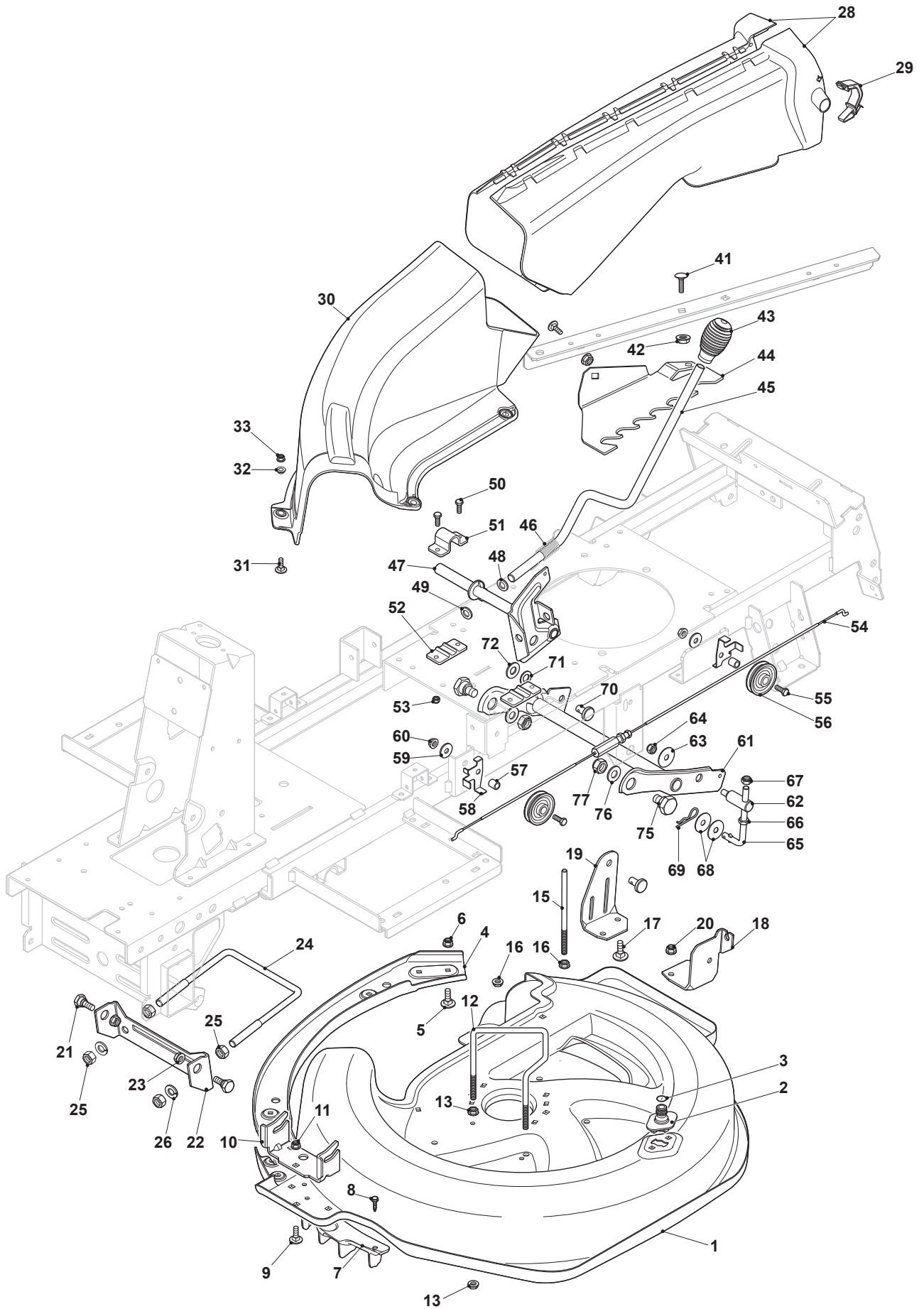
Utgåva Issue 3 - 2016		Motor - B&S	Engine - B&S		
Pos. Fig.	Antal Q.ty	Art nr Part No	Benämning	Description	Anmärkning Notes
33	1	384601500/1	Remskiva	Pulley	Wheels Type A
10	1	118562996/0	Bensinkran	Shut out valve	
1	1	184000256/0	Gasreglage	Throttle Cable	
2	2	125943012/0	Skruv	Screw	
3	1	112726388/0	Skruv	Screw	
4	1	125394501/0	Knopp	Knob	
5	1	112290800/0	Mutter	Nut	
6	1	112735599/0	Skruv	Screw	
7	1	112540040/0	Bricka	Washer	
8	1	112735110/0	Skruv	Screw	
9	1	118738252/0	Avgasrör	Exhaust Tube	
11	3	112735108/1	Skruv	Screw	
12	3	112540070/0	Bricka	Washer	
16	1	127790000/1	Tanklock	Fuel Cap	
17	1	327600180/0	BränsleTankskydd	Tank Protection	
18	1	327869054/1	Fuel Discharge Rör	Fuel Discharge Pipe	
19	1	327733008/0	Bränsletank	Fuel Tank	
20	1	112727801/0	Skruv	Screw	
21	1	112523040/0	Bricka	Washer	
22	2	125943010/0	Skruv	Screw	
23	4	118375051/1	Slangklämma	Fair Led	
24	1	325869035/1	Bränsleslang	Connecting Tube	
31	1	112736850/0	Skruv	Screw	Wheels Type A
32	1	112543000/0	Bricka	Washer	
36	1	327772239/0	Fäste	Bracket	
37	3	112791200/1	Skruv	Screw	
39	2	122675110/0	Bricka	Washer	
38	3	112154510/0	Mutter	Nut	



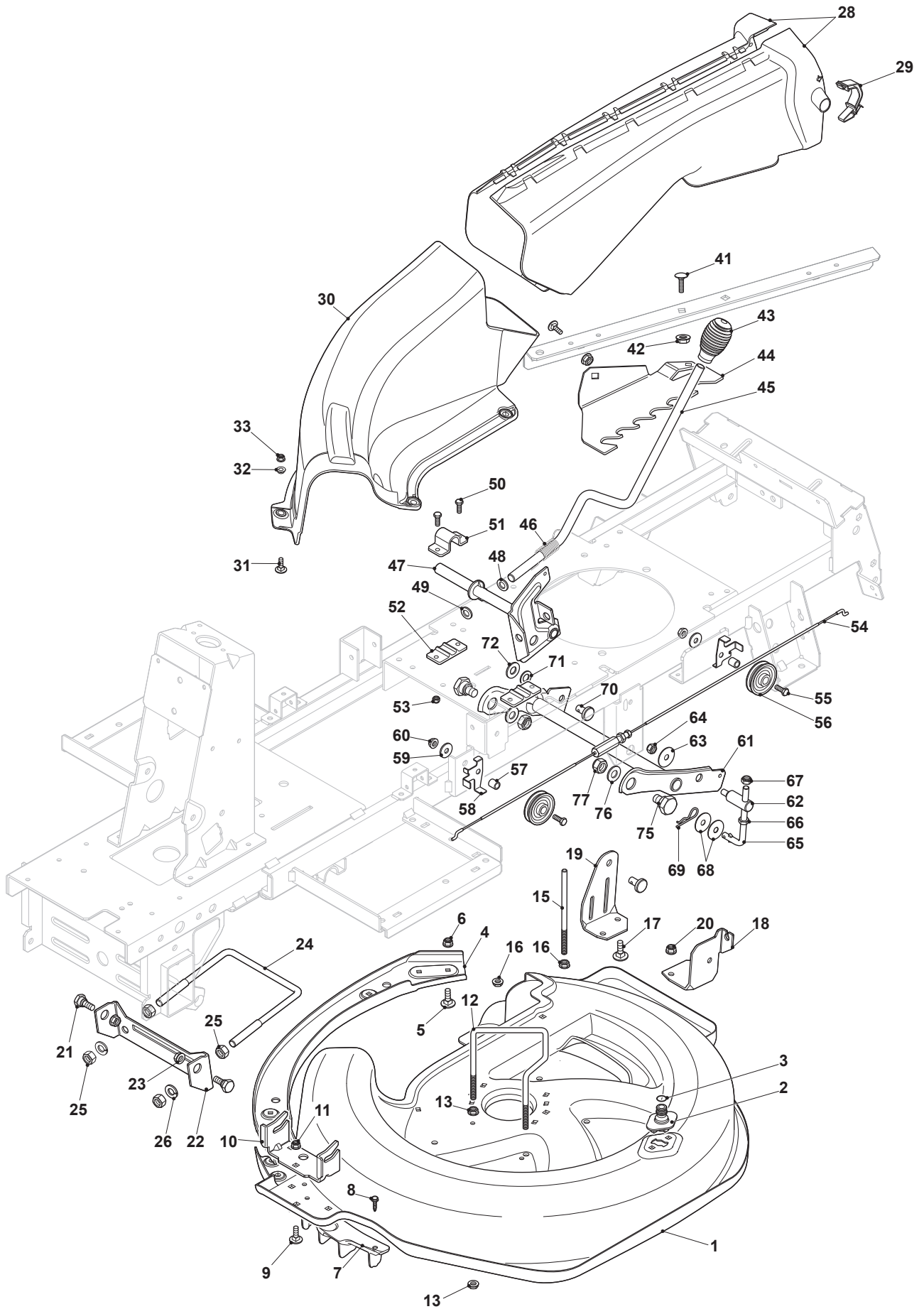
Utgåva Issue 3 - 2016		Transmission T2		Transmission T2	
Pos. Fig.	Antal Q.ty	Art nr Part No	Benämning	Description	Anmärkning Notes
1	1	325110409/0	Fäste	Clamp Cover	
2	1	384503013/0	Bromspedal kpl	Pedal	
3	1	127430594/0	Fjäder	Spring	
4	1	384004604/0	Motorbromswire	Cable, Thread Engine Brake	
5	1	127510120/0	Stift	Pin	
6	1	112521350/0	Bricka	Washer	
7	1	124487997/0	Lasnal	Cotter Pin	
8	4	112791400/0	Skruv	Screw	
9	2	325785350/0	Fäste	Support	
10	2	325547231/0	Plat	Plate	
11	4	112154510/0	Mutter	Nut	
12	1	122524970/3	Stift	Pin	
13	1	384002097/0	Bromsstang	Brake Control Rod	
14	1	112154210/0	Mutter	Nut	
15	1	127395050/1	Knopp	Knob	
21	1	112691900/0	Skruv	Screw	
22	1	127160065/0	Distans	Spacer	
23	1	122041980/0	Bussning	Bushing	
24	1	327315139/0	Spak	Tightener Lever	
25	1	112523070/0	Bricka	Washer	
26	1	112155000/0	Mutter	Nut	
27	1	112691115/0	Skruv	Screw	
28	1	112523060/0	Bricka	Washer	
29	1	127604015/0	Remskiva	Pulley	
30	1	127160064/0	Distans	Spacer	
31	1	112155000/0	Mutter	Nut	
32	1	127430594/0	Fjäder	Spring	
33	1	112521360/0	Bricka	Washer	
34	1	127510124/0	Stift	Pin	
41	1	325110274/0	Fäste	Clamp Cover Front	
42	1	384503011/1	Drivpedal	Drive Pedal	
43	1	325110331/0	Fäste	Clamp Cover Rear	
44	2	327546015/2	Plat	Plate	
45	4	112731350/0	Skruv	Screw	
46	1	112791400/0	Skruv	Screw	
47	1	127063022/0	Kam	Cam	
48	1	112521330/0	Bricka	Washer	
49	1	112154510/0	Mutter	Nut	
51	1	112155000/0	Mutter	Nut	
52	1	127510103/0	Stift	Pin	
53	1	112293200/0	Mutter	Nut	
54	1	384002095/0	Stang	Rod	
55	1	112523040/0	Bricka	Washer	
56	1	112154510/0	Mutter	Nut	
57	1	325670011/0	Bricka	Antifriction Washer	
58	1	112436050/0	Plat	Plate	
60	1	119410609/1LC	Mikrobrytare	Micro Switch	
61	2	112735602/0	Skruv	Screw	
62	2	112581100/0	Fj.Bricka Fbb 3.1X5.7X0.8 (M3)	Grower	



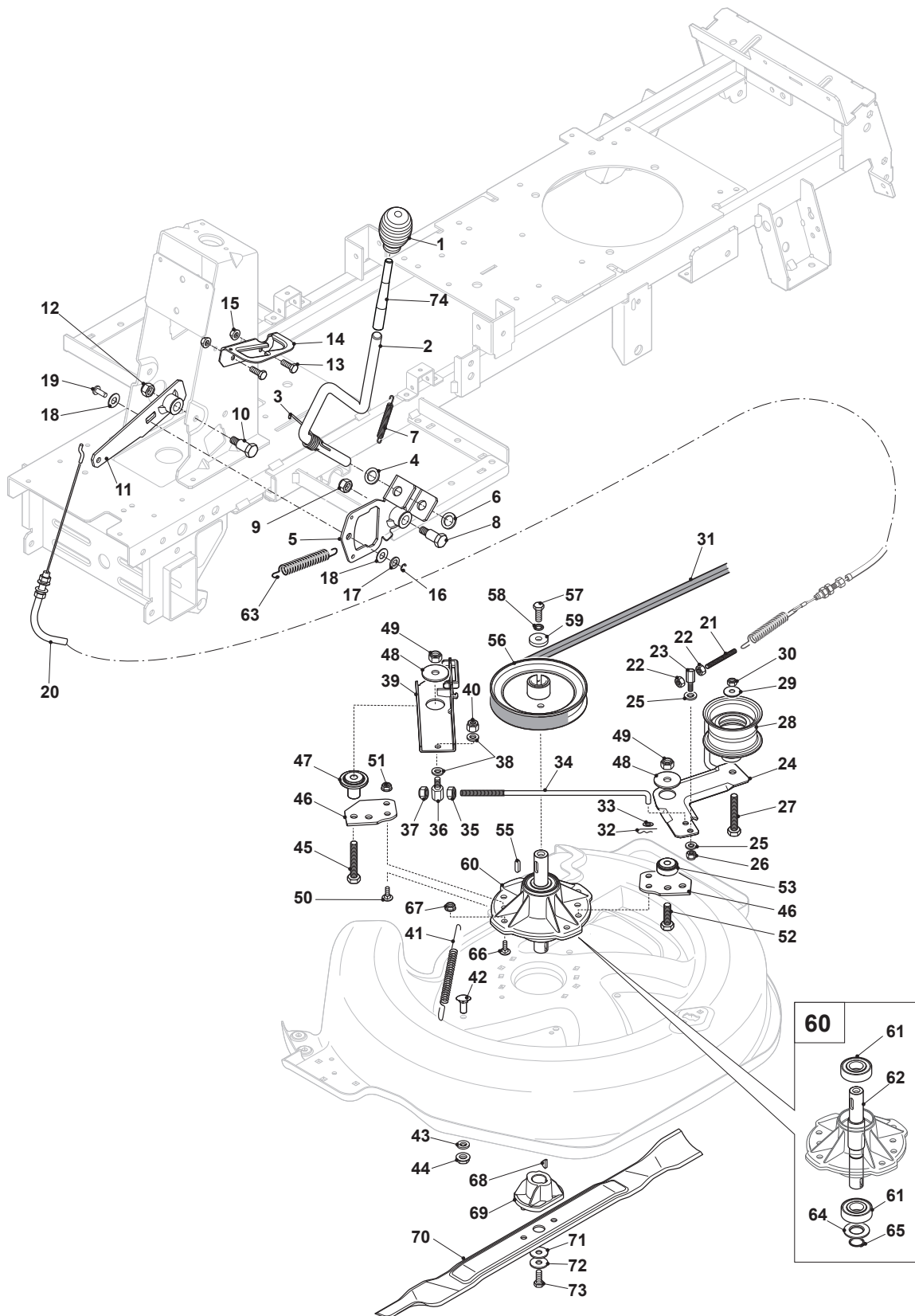
Utgåva Issue 3 - 2016		Transmission T2		Transmission T2	
Pos. Fig.	Antal Q.ty	Art nr Part No	Benämning	Description	Anmärkning Notes
63	1	327543053/1	Plat	Backup Plate	
64	1	327546019/0	Plat	Neutral Switch Fixing Plate	
65	2	112540020/0	Bricka	Washer	
66	2	112290791/0	Mutter	Nut	
67	2	112735122/1	Skruv	Screw	
68	1	327772223/0	Fäste	Bracket	
69	2	112791200/1	Skruv	Screw	
70	2	112292102/0	Mutter	Nut	
71	4	112691600/0	Skruv	Screw	
72	1	118400980/0	Transaxel	Transmission Unit	HydroGear T2-AJBF-2X3C-16X1
73	4	112154210/0	Mutter	Nut	
74	2	127160063/0	Distans	Spacer	
75	1	135061429/0	Drivrem	Belt	
76	1	327315137/0	Spak	Lever	
77	1	112791011/0	Skruv	Screw	
78	1	112154510/0	Mutter	Nut	
79	1	327772187/0	Fäste	Rear Bracket Support	
80	1	112792611/0	Skruv	Screw	
81	1	112155000/0	Mutter	Nut	
82	1	112691400/0	Skruv	Screw	
83	1	112155000/0	Mutter	Nut	
85	2	112735110/0	Skruv	Screw	
86	2	112523030/0	Bricka	Washer	
87	1	327110507/0	Lucka Gra	Cover	
91	1	114361451/0	Dekal	Label	
92	1	118802722/0	Kit, Fläkt-Remskiva	Fan Kit	
93	1	327787107/0	Fäste	Support	
94	1	327063026/0	Kam	Cam	
95	2	112735404/0	Skruv	Screw	
97	1	112791400/0	Skruv	Screw	
98	1	112292102/0	Mutter	Nut	
99	1	119410614/0	Mikrobrytare	Microswitch	



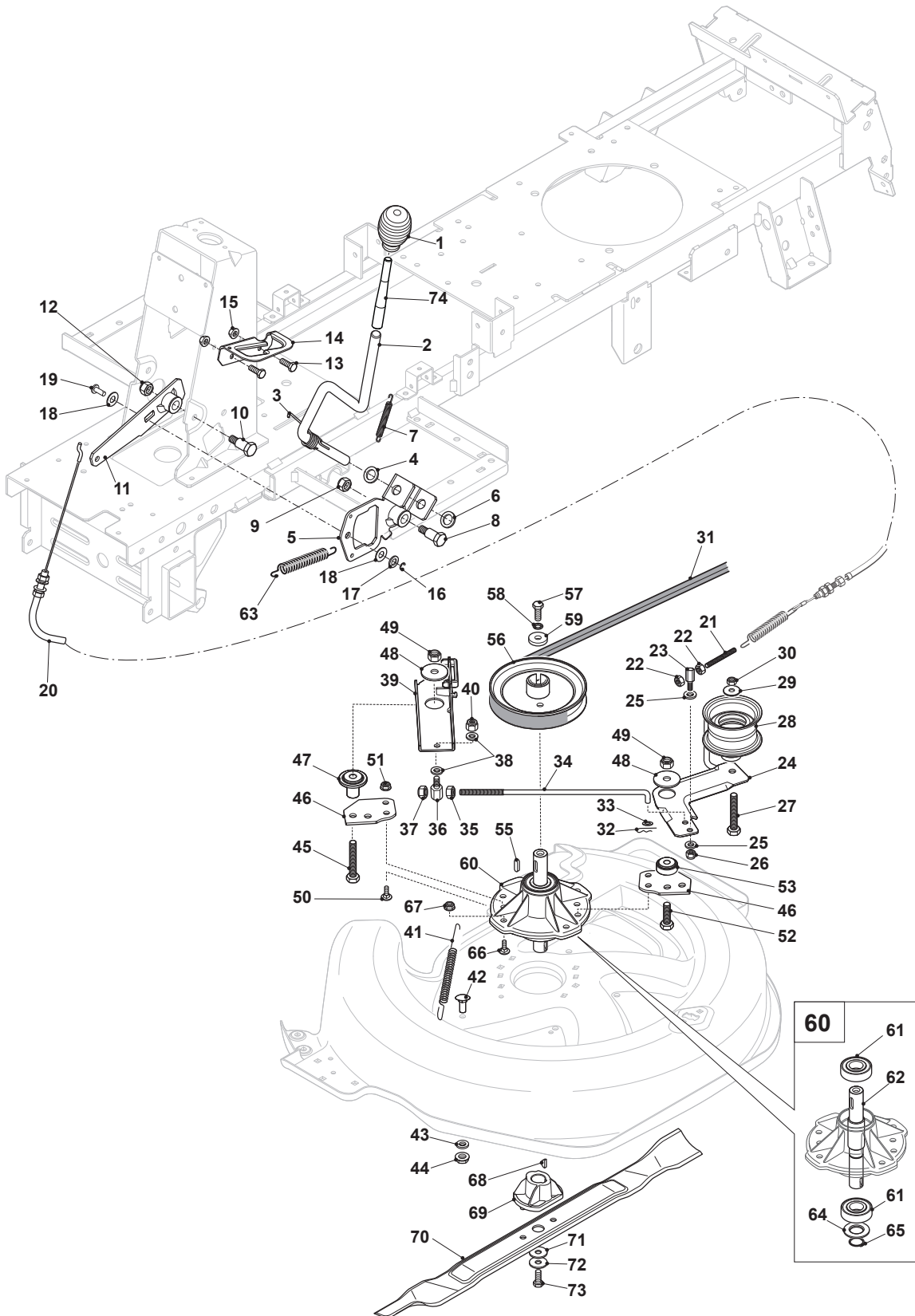
Utgåva Issue 3 - 2016		Skärplatta Cutting Plate			
Pos. Fig.	Antal Q.ty	Art nr Part No	Benämning	Description	Anmärkning Notes
1	1	384564114/0	Klippdäck Nr66	Cutting Plate, Black	
2	1	325033086/0	Vattenslanganslutning	Water Hose Connection	
3	1	119035000/0	O-Ring	Or Ring	
4	1	384650107/0	Klippdäck, förstärkning	Stiffening	
5	4	112815200/0	Skruv	Screw	
6	4	112292102/0	Mutter	Nut	
7	1	327488001/0	Frontplugg	Front Combi	
8	3	112735402/0	Skruv	Screw	
9	3	112818690/0	Skruv	Screw	
10	1	327772175/0	Fäste	Front Bracket	
11	3	112154210/0	Mutter	Nut	
12	1	127294008/0	Remstyrning	Belt Guide	
13	4	112292102/0	Mutter	Nut	
15	1	127580077/0	Remstyrning	Belt Guide	
16	2	112293201/0	Mutter	Nut	
17	4	112818690/0	Skruv	Screw	
18	1	327772179/0	Fäste-vä	Bracket, Left	
19	1	327772177/0	Fäste-hö	Bracket, Right	
20	4	112154210/0	Mutter	Nut	
21	2	127510121/0	Platta	Plate	
22	1	327543043/0	Fäste	Plate	
23	2	112154210/0	Mutter	Nut	
24	1	127840056/0	Front Stag	Front Tie Rod	
25	4	112293200/0	Mutter	Nut	
26	2	112585100/0	Bricka	Washer	
28	1	384108054/0	Transportör	Conveyor	
29	2	325774499/0	Fäste	Clamp	
30	1	327107505/0	Utkaströr	Conveyor	
31	4	112815200/0	Skruv	Screw	
32	4	325160039/0	Distans	Spacer	
33	4	112292102/0	Mutter	Nut	
41	2	112818690/0	Skruv	Screw	
42	2	112293200/0	Mutter	Nut	
43	1	125394510/0	Knopp	Knob	
44	1	327734063/0	Höjdjustering sektor	Sector, Height Adjustment	Wheels Type A
45	1	327315135/0	Spak	Cutting Deck Lifting Lever	
46	1	127430595/0	Fjäder	Spring	
47	1	384001035/1	Fulcrum Axle	Fulcrum Axle	
48	1	112521370/0	Bricka	Washer	
49	1	122020050/0	Lasbricka	Ring	
50	4	112791400/0	Skruv	Screw	
51	2	325547231/0	Plat	Plate	
52	2	325785350/0	Fäste	Support	
53	4	112154510/0	Mutter	Nut	
54	1	384004605/0	Lyftwire	Lifting Wire	Wheels Type A
55	2	112691100/0	Skruv	Screw	
56	2	125601579/0	Remskiva	Pulley	
57	2	125040636/1	Bussning	Bushing	
58	2	327543037/0	Guideplat	Guide Shoe	



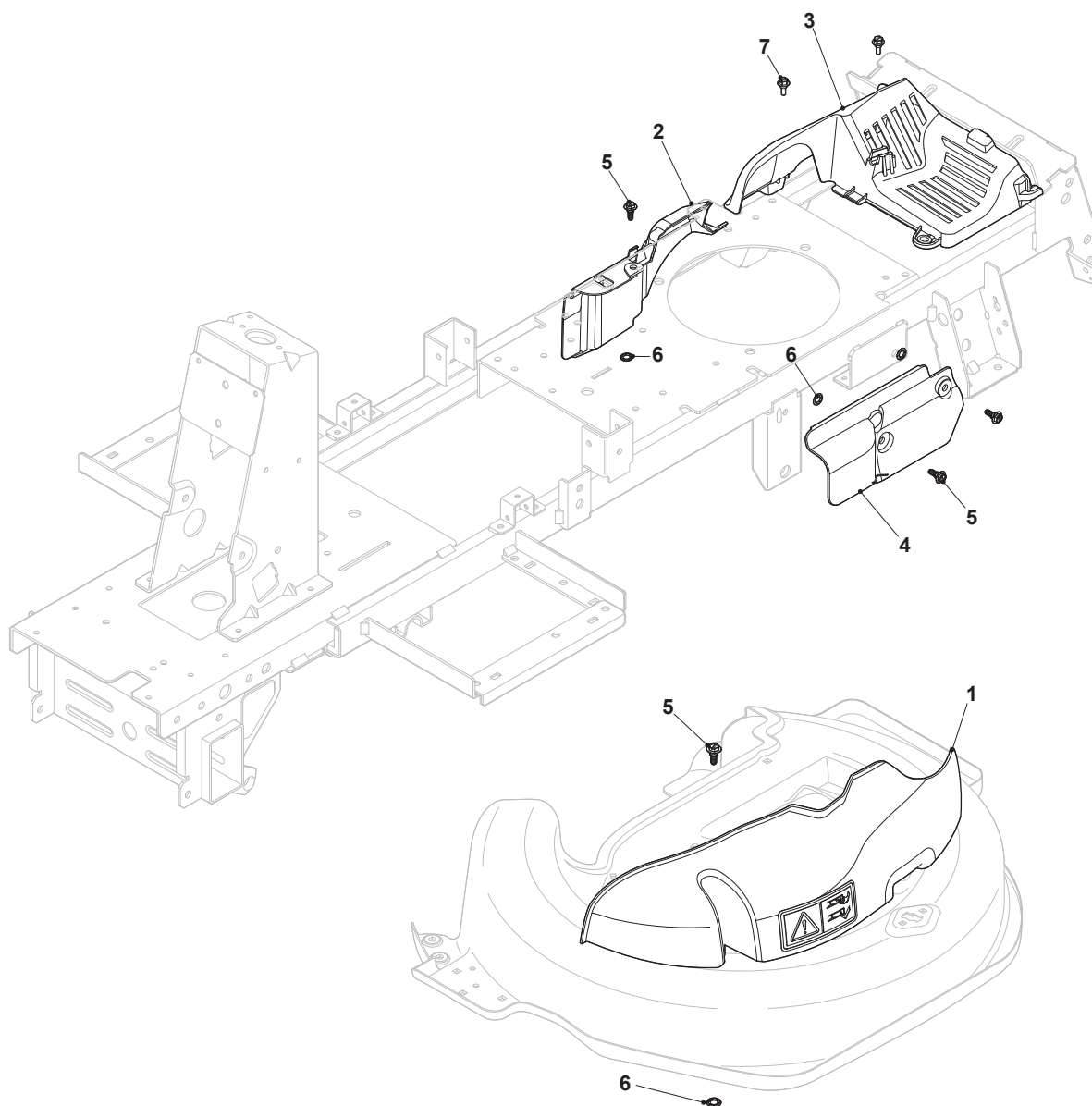
Utgåva Issue 3 - 2016		Skärplatta Cutting Plate			
Pos. Fig.	Antal Q.ty	Art nr Part No	Benämning	Description	Anmärkning Notes
59	2	112523060/0	Bricka	Washer	
60	2	112293201/0	Mutter	Nut	
61	1	384001037/0	Axel	Axle	
62	1	127510125/0	Stift	Pin	
63	1	322672152/0	Bricka	Antifriction Washer	
64	2	112155000/0	Mutter	Nut	
65	1	127840057/0	Styrstag	Tie Rod	
66	4	112295200/0	Mutter	Nut	
67	2	112155000/0	Mutter	Nut	
68	2	322672152/0	Bricka	Antifriction Washer	
69	1	124487998/0	Fjäder Clip	Cotter Pin	
70	1	127510114/0	Stift	Pin	
71	1	325670008/1	Bricka	Washer	
72	1	112521360/0	Bricka	Washer	
75	2	127510123/0	Stift	Pin	
76	2	112521360/0	Bricka	Washer	
77	2	112156602/0	Mutter	Nut	



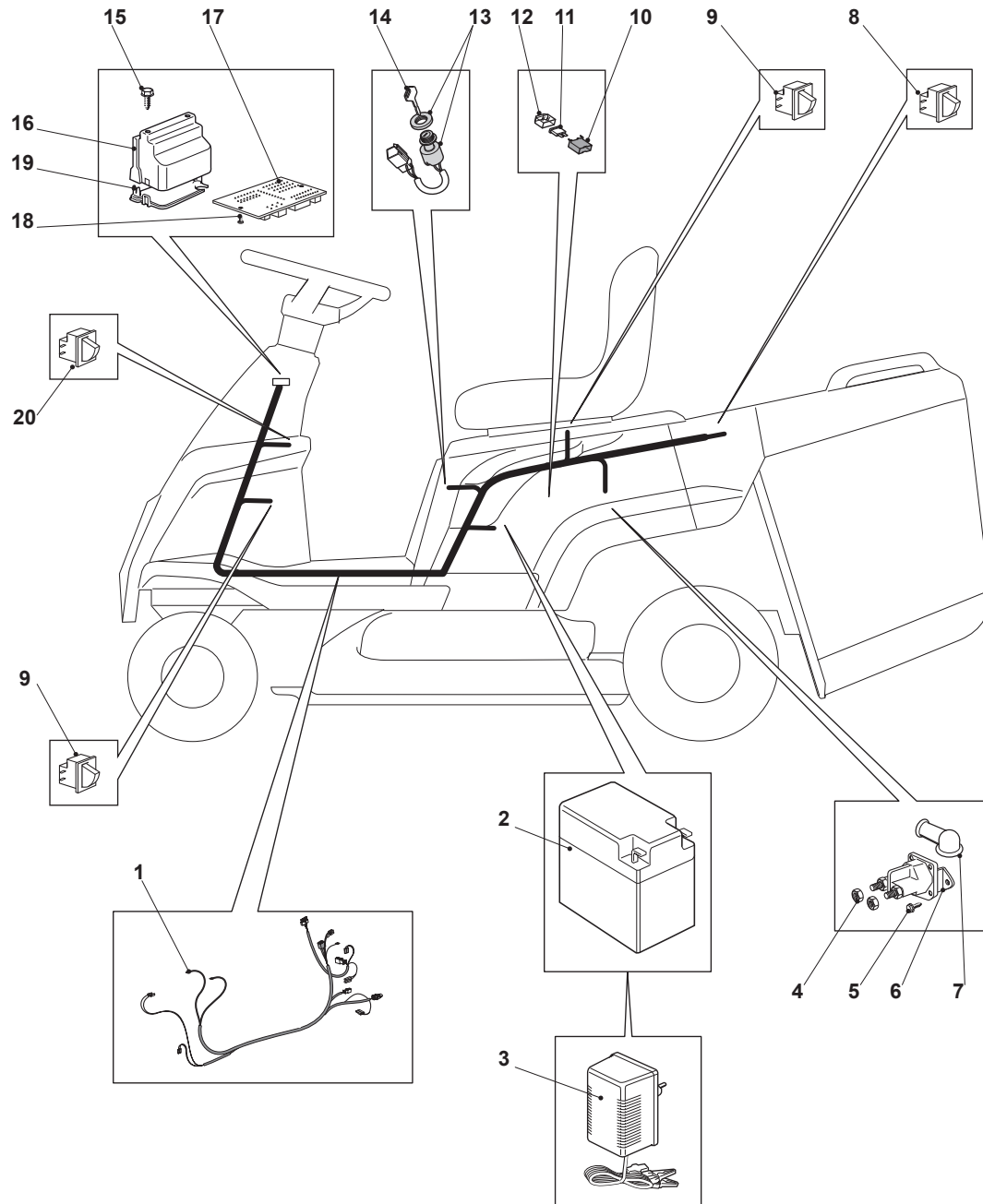
Utgåva Issue 3 - 2016		Knivfäste		Blades Engagement	
Pos. Fig.	Antal Q.ty	Art nr Part No	Benämning	Description	Anmärkning Notes
24	1	384307001/1	Spake Tightener Lever	Tightener Lever	
8	1	127510122/1	Fäste	Bracket	
10	1	127510122/1	Fäste	Bracket	
1	1	125394510/0	Knopp	Knob	
2	1	327315149/0	Spak	Lever	
3	1	127430595/0	Fjäder	Spring	
4	1	112521370/0	Bricka	Washer	
5	1	384317099/0	Spak	Lever	
6	1	122020050/0	Lasbricka	Ring	
7	1	125430208/1	Fjäder	Spring	
9	1	112154210/0	Mutter	Nut	
11	1	384773577/0	Fäste	Bracket	
12	1	112154210/0	Mutter	Nut	
13	2	112815200/0	Skruv	Screw	
14	1	327734065/0	Höjdsegment	Sector	
15	2	112292102/0	Mutter	Nut	
16	1	112000930/0	Lasring	Benzing Ring	
17	1	112521350/0	Bricka	Washer	
18	2	325670011/0	Bricka	Antifriction Washer	
19	1	125510085/1	Stift	Pin	
20	1	384004606/0	Wire	Blades Engagement Wire	
21	1	127840058/1	Spännstang	Tie Rod	
22	2	112293200/0	Mutter	Nut	
23	1	127510126/0	Stift	Pin	
25	2	325670011/0	Bricka	Antifriction Washer	
26	1	112155000/0	Mutter	Nut	
27	1	112691600/0	Skruv	Screw	
28	1	127604008/0	Remskiva	Pulley	
29	1	112523060/0	Bricka	Washer	
30	1	112155000/0	Mutter	Nut	
31	1	135061428/0	Drivrem	Belt	
32	1	124487995/0	Harnalssprint	Cotter Pin	
33	1	325670011/0	Bricka	Antifriction Washer	
34	1	127034085/0	Stang kpl	Connecting Rod	
35	1	112293200/0	Mutter	Nut	
36	1	127510126/0	Stift	Pin	
37	1	112155000/0	Mutter	Nut	
38	2	325670011/0	Bricka	Antifriction Washer	
39	1	384220505/0	Knivbroms	Blade Brake	
40	1	112155000/0	Mutter	Nut	
41	1	127430592/0	Fjäder	Brake Spring	
42	1	112818690/0	Skruv	Screw	
43	1	112521350/0	Bricka	Washer	
44	1	112293201/0	Mutter	Nut	
45	1	112692395/1	Skruv	Screw	
46	2	327772191/0	Fäste	Bracket	
47	1	127047021/0	Bussning	Bushing	
48	2	112523090/0	Bricka	Washer	
49	2	112155020/0	Mutter	Nut	



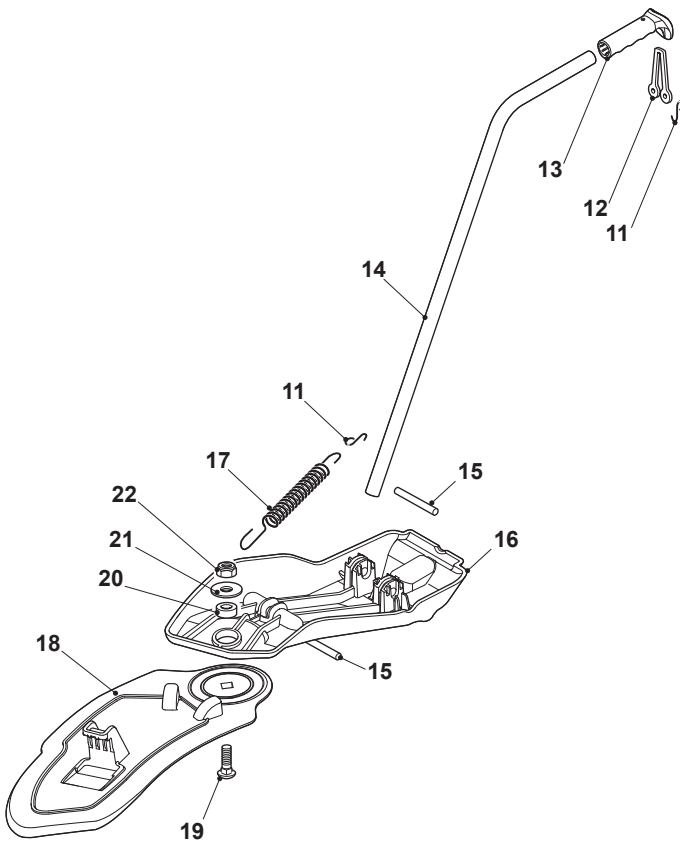
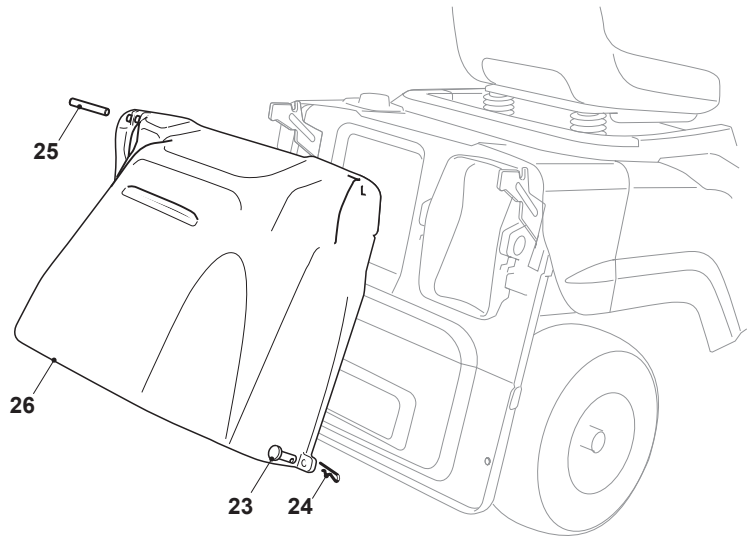
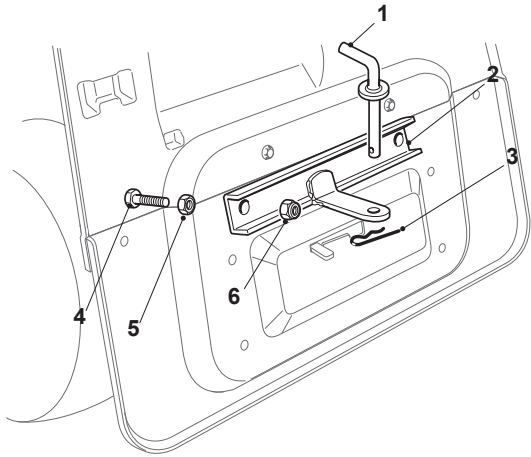
Utgåva Issue 3 - 2016		Knivfäste Blades Engagement			
Pos. Fig.	Antal Q.ty	Art nr Part No	Benämning	Description	Anmärkning Notes
50	4	112818700/0	Skruv	Screw	
51	4	112154210/0	Mutter	Nut	
52	1	112794400/0	Skruv	Screw	
53	1	127047017/0	Bussning	Bushing	
55	1	112139480/0	Kil	Feather	
56	1	127604014/0	Remskiva	Pulley	
57	1	112793102/0	Skruv	Screw	
58	1	112583500/0	Lasbricka	Grower	
59	1	125670007/0	Bricka	Washer	
60	1	384207251/0	Knivaxelfäste	Blade Shaft Support	
61	2	119216040/0	Lager Kullager	Bearing	
62	1	127023003/0	Knivaxel	Shaft	
63	1	125430259/0	Fjäder	Spring	
64	1	325160501/0	Dammskydd	Dust Cover Disc	
65	1	112609260/0	Sparring Sga 20	Seeger	
66	4	112818700/0	Skruv	Screw	
67	4	112154210/0	Mutter	Nut	
68	1	112139100/0	Kil	Key	
69	1	125463200/0	Knivfäste	Blade Hub	
70	1	184109505/0	Kniv	Blade Winged	
71	1	112508125/0	Bricka	Elastic Washer	
72	1	112523080/0	Bricka	Washer	
73	1	112735694/0	Skruv	Screw	
74	1	327315151/0	Spak	Lever	
74	1	327315151/1	Spak	Lever	



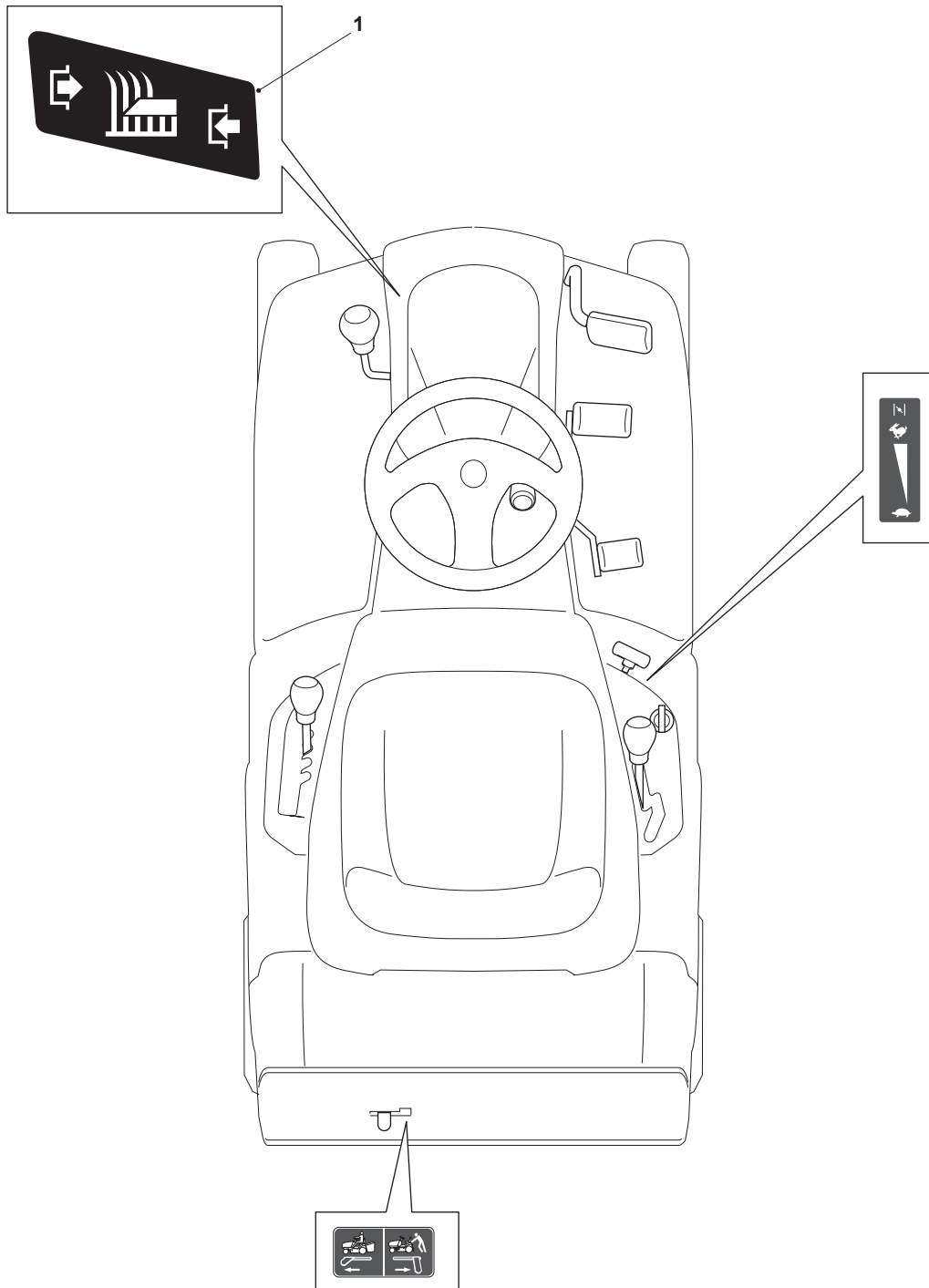
Utgåva Issue 3 - 2016		Skydd Guards			
Pos. Fig.	Antal Q.ty	Art nr Part No	Benämning	Description	Anmärkning Notes
1	1	327060111/1	Skydd	Protection Carter	
2	1	327060109/0	Remskydd-hö	Right Belt Protection Carter	
3	1	327060108/1	Transmissionskapa	Transmission Plate Protection	
4	1	327060110/0	Remskydd-vä	Left Belt Protection	
5	5	125943011/0	Skruv	Screw	
6	4	112604899/0	Starlock	Crown Fastener	
7	2	125943010/0	Skruv	Screw	



Utgåva Issue 3 - 2016		Elsystem Electrical Parts			
Pos. Fig.	Antal Q.ty	Art nr Part No	Benämning	Description	Anmärkning Notes
1	1	184040139/0	Kabelhärva	Cables Ass.Y	
2	1	118120010/0	Battery With Cable Batteri	Battery With Cable Battery	
3	1	182180051/0	Batteriladdare	Battery Charger Kit	CE plug - 0,2A
3	1	182180090/0	Batteriladdare 1A - CE Plugg	Battery Charger 1A - CE Plugg	CE plug - 12V 1A
4	2	112360352/0	Mutter	Nut	
5	2	112735110/0	Skruv	Screw	
6	1	118736110/0	Startrelä	Starter Relay	
7	2	118564861/1	Polskydd	Protection	
8	1	119410618/0	Mikrobrytare	Microswitch	
9	2	119410606/0	Mikrobrytare	Microswitch	
10	1	133500007/0	Säkringhallare	Fuse Carrier	
11	1	133340040/0	Säkring 10A	Fuse 10 A	
12	1	133215000/0	Lock-Säkringshallare	Cover	
13	1	118450075/1	Tändningslas	Starting Switch	
14	1	118210023/0	Startnyckel	Starting Key	
15	2	112728711/0	Skruv	Screw	
16	1	127600119/0	Skydd	Electronic Card Upper Protecti	
17	1	127722359/1	Elektronikkort Electronic Card	Electronic Card	
18	2	112729601/1	Skruv	Screw	
19	1	127600118/0	Skydd	Electronic Card Lower Protection	
20	1	119410614/0	Mikrobrytare	Microswitch	



Utgåva Issue 3 - 2016		Tillbehör på begäran Optionals On Request			
Pos. Fig.	Antal Q.ty	Art nr Part No	Benämning	Description	Anmärkning Notes
1	1	125510021/1	Stift	Hitch Pin	
2	1	382033109/0	Dragkrok	Rod	
3	1	124487999/0	Clip	Spring Pin	
4	2	112794300/0	Skruv	Screw	
5	2	112295200/0	Mutter	Nut	
6	2	112156602/0	Mutter	Nut	
11	3	125253004/0	Krok	Mulch.Kit Fixing Hook	
12	1	125840011/1	Spännstang	Tie Rod	
13	1	325280000/1	Handtag	Handgrip	
14	1	327394003/2	Handtagsrör	Handle	
15	2	127510116/0	Stift	Pin	
16	1	327140058/0	Deflektor- bak	Deflettore Post.	
17	1	125430218/1	Fjäder	Spring	
18	1	327140057/0	Deflektor- fram	Deflettore Anter.	
19	1	112818700/0	Skruv	Screw	
20	1	127047013/1	Bussning	Bushing	
21	1	322672152/0	Bricka	Antifriction Washer	
22	1	112155000/0	Mutter	Nut	
23	2	125510022/1	Pinnbult	Pin	
24	2	124487998/0	Fjäder Clip	Cotter Pin	
25	2	127510127/0	Stift	Pin	
26	1	327600181/0	Lucka - svart	Stone Guard, Black	



Utgåva Issue 3 - 2016		Dekaler Labels			
Pos. Fig.	Antal Q.ty	Art nr Part No	Benämning	Description	Anmärkning Notes
1	1	114366875/0	Dekal	Label	



Combi 1066 H

2

Combi 1066 HQ

3

Utgåva Issue 3 - 2016		Dekaler Labels			
Pos. Fig.	Antal Q.ty	Art nr Part No	Benämning	Description	Anmärkning Notes
1	3	114367494/2	Dekal STIGA logo	Label STIGA logo	
2	2	114368433/0	Dekal Dekal	Label Label	Combi 1066H
3	2	114368434/0	Dekal Decal	Label Label	Combi 1066HQ
4	1	114367725/1	Dekal Decal	Label Steering Label	

code	pos.	q.ty	page								
112000930/0	16	1	p. 23	112295200/0	5	2	p. 31	112728300/0	47	2	p. 5
112000970/0	25	2	p. 9	112295200/0	30	1	p. 9	112728440/0	64	1	p. 7
112000970/0	61	2	p. 11	112295200/0	66	4	p. 21	112728686/0	10	2	p. 5
112001010/0	67	2	p. 11	112360352/0	4	2	p. 29	112728706/0	7	1	p. 5
112139100/0	68	1	p. 25	112436050/0	58	1	p. 15	112728711/0	15	2	p. 29
112139480/0	55	1	p. 25	112437507/0	17	10	p. 3	112729601/1	18	2	p. 29
112154210/0	9	1	p. 23	112437507/0	49	2	p. 5	112731350/0	45	4	p. 15
112154210/0	11	3	p. 19	112508125/0	71	1	p. 25	112735108/1	11	3	p. 13
112154210/0	12	1	p. 23	112521330/0	48	1	p. 15	112735110/0	5	2	p. 29
112154210/0	14	1	p. 15	112521330/0	55	1	p. 11	112735110/0	8	1	p. 13
112154210/0	20	4	p. 19	112521350/0	6	1	p. 15	112735110/0	85	2	p. 17
112154210/0	23	2	p. 19	112521350/0	14	2	p. 5	112735121/0	9	2	p. 9
112154210/0	38	4	p. 5	112521350/0	17	1	p. 23	112735122/1	37	4	p. 9
112154210/0	40	4	p. 5	112521350/0	18	4	p. 9	112735122/1	40	4	p. 9
112154210/0	51	4	p. 25	112521350/0	43	1	p. 23	112735122/1	67	2	p. 17
112154210/0	67	4	p. 25	112521360/0	33	1	p. 15	112735402/0	8	3	p. 19
112154210/0	73	4	p. 17	112521360/0	72	1	p. 21	112735402/0	9	14	p. 3
112154510/0	11	4	p. 15	112521360/0	76	2	p. 21	112735404/0	95	2	p. 17
112154510/0	28	8	p. 5	112521370/0	4	1	p. 23	112735599/0	6	1	p. 13
112154510/0	38	3	p. 13	112521370/0	48	1	p. 19	112735602/0	61	2	p. 15
112154510/0	49	1	p. 15	112521390/0	62	2	p. 11	112735694/0	73	1	p. 25
112154510/0	53	4	p. 19	112523030/0	86	2	p. 17	112736850/0	31	1	p. 13
112154510/0	54	1	p. 11	112523040/0	21	1	p. 13	112791011/0	77	1	p. 17
112154510/0	56	1	p. 15	112523040/0	55	1	p. 15	112791200/1	27	8	p. 5
112154510/0	78	1	p. 17	112523060/0	28	1	p. 15	112791200/1	32	2	p. 9
112155000/0	22	1	p. 31	112523060/0	29	1	p. 23	112791200/1	35	4	p. 9
112155000/0	26	1	p. 15	112523060/0	29	4	p. 3	112791200/1	37	3	p. 13
112155000/0	26	1	p. 23	112523060/0	59	2	p. 21	112791200/1	45	2	p. 9
112155000/0	30	1	p. 23	112523070/0	4	1	p. 9	112791200/1	69	2	p. 17
112155000/0	31	1	p. 15	112523070/0	25	1	p. 15	112791400/0	8	4	p. 15
112155000/0	37	1	p. 23	112523080/0	27	2	p. 9	112791400/0	46	1	p. 15
112155000/0	40	1	p. 23	112523080/0	72	1	p. 25	112791400/0	50	4	p. 19
112155000/0	51	1	p. 15	112523090/0	48	2	p. 23	112791400/0	62	2	p. 7
112155000/0	64	2	p. 21	112540020/0	65	2	p. 17	112791400/0	97	1	p. 17
112155000/0	67	2	p. 21	112540040/0	7	1	p. 13	112792611/0	42	4	p. 9
112155000/0	81	1	p. 17	112540070/0	12	3	p. 13	112792611/0	80	1	p. 17
112155000/0	83	1	p. 17	112540260/0	3	1	p. 9	112793101/0	27	4	p. 3
112155010/0	3	2	p. 5	112543000/0	32	1	p. 13	112793102/0	57	1	p. 25
112155020/0	49	2	p. 23	112581100/0	62	2	p. 15	112794300/0	4	2	p. 31
112156602/0	6	2	p. 31	112583500/0	28	4	p. 3	112794400/0	52	1	p. 25
112156602/0	77	2	p. 21	112583500/0	58	1	p. 25	112794950/0	26	1	p. 9
112290791/0	66	2	p. 17	112585100/0	26	2	p. 19	112815200/0	5	4	p. 19
112290800/0	5	1	p. 13	112585100/0	29	1	p. 9	112815200/0	13	2	p. 23
112292102/0	6	4	p. 19	112604896/0	59	2	p. 7	112815200/0	31	4	p. 19
112292102/0	13	4	p. 19	112604899/0	6	4	p. 27	112818690/0	9	3	p. 19
112292102/0	15	2	p. 23	112609260/0	65	1	p. 25	112818690/0	17	4	p. 19
112292102/0	33	4	p. 19	112620210/0	16	2	p. 9	112818690/0	20	2	p. 5
112292102/0	34	2	p. 9	112620300/0	12	1	p. 9	112818690/0	25	8	p. 5
112292102/0	36	4	p. 9	112691100/0	55	2	p. 19	112818690/0	41	2	p. 19
112292102/0	47	2	p. 9	112691115/0	27	1	p. 15	112818690/0	42	1	p. 23
112292102/0	53	8	p. 11	112691115/0	39	4	p. 5	112818700/0	19	1	p. 31
112292102/0	63	2	p. 7	112691400/0	13	2	p. 5	112818700/0	50	4	p. 25
112292102/0	70	2	p. 17	112691400/0	82	1	p. 17	112818700/0	66	4	p. 25
112292102/0	98	1	p. 17	112691600/0	27	1	p. 23	112819105/0	32	4	p. 5
112293200/0	22	2	p. 23	112691600/0	71	4	p. 17	114361451/0	91	1	p. 17
112293200/0	25	4	p. 19	112691900/0	21	1	p. 15	114366875/0	1	1	p. 33
112293200/0	35	1	p. 23	112692395/1	45	1	p. 23	114367494/2	1	3	p. 35
112293200/0	42	2	p. 19	112726388/0	3	1	p. 13	114367725/1	4	1	p. 35
112293200/0	53	1	p. 15	112727801/0	14	6	p. 3	114368433/0	2	2	p. 35
112293201/0	16	2	p. 19	112727801/0	20	1	p. 13	114368434/0	3	2	p. 35
112293201/0	19	2	p. 5	112727801/0	46	3	p. 5	118120010/0	2	1	p. 29
112293201/0	22	2	p. 5	112728300/0	6	4	p. 3	118203854/0	4	2	p. 5
112293201/0	26	8	p. 5	112728300/0	11	2	p. 3	118210023/0	14	1	p. 29
112293201/0	44	1	p. 23	112728300/0	15	6	p. 3	118375051/1	23	4	p. 13
112293201/0	44	4	p. 9	112728300/0	18	10	p. 3	118400980/0	72	1	p. 17
112293201/0	60	2	p. 21	112728300/0	42	4	p. 5	118450075/1	13	1	p. 29
				112728300/0	44	1	p. 5	118562996/0	10	1	p. 13

code	pos.	q.ty	page									
118564861/1	7	2	p. 29	127047017/0	53	1	p. 25	325110409/0	1	1	p. 15	
118736110/0	6	1	p. 29	127047019/0	24	4	p. 9	325160039/0	32	4	p. 19	
118738252/0	9	1	p. 13	127047021/0	47	1	p. 23	325160501/0	64	1	p. 25	
118802722/0	92	1	p. 17	127063022/0	47	1	p. 15	325280000/1	13	1	p. 31	
119035000/0	3	1	p. 19	127160060/0	5	1	p. 9	325547231/0	10	2	p. 15	
119216040/0	61	2	p. 25	127160062/0	28	1	p. 9	325547231/0	51	2	p. 19	
119410606/0	9	2	p. 29	127160063/0	74	2	p. 17	325580504/0	32	1	p. 3	
119410606/0	11	1	p. 5	127160064/0	30	1	p. 15	325670008/1	71	1	p. 21	
119410609/1LC	60	1	p. 15	127160065/0	22	1	p. 15	325670011/0	18	2	p. 23	
119410614/0	20	1	p. 29	127275000/0	39	1	p. 9	325670011/0	25	2	p. 23	
119410614/0	58	1	p. 7	127294008/0	12	1	p. 19	325670011/0	33	1	p. 23	
119410614/0	99	1	p. 17	127294009/0	51	1	p. 9	325670011/0	38	2	p. 23	
119410618/0	8	1	p. 29	127294010/1	52	2	p. 9	325670011/0	57	1	p. 15	
122020050/0	6	1	p. 23	127395050/1	15	1	p. 15	325774499/0	29	2	p. 19	
122020050/0	49	1	p. 19	127430589/0	6	2	p. 5	325785350/0	9	2	p. 15	
122041980/0	23	1	p. 15	127430592/0	41	1	p. 23	325785350/0	52	2	p. 19	
122450457/0	61	1	p. 7	127430594/0	3	1	p. 15	325785379/1	12	1	p. 5	
122517866/0	60	1	p. 7	127430594/0	32	1	p. 15	325785419/0	6	1	p. 9	
122524970/3	2	2	p. 5	127430595/0	3	1	p. 23	325869035/1	24	1	p. 13	
122524970/3	12	1	p. 15	127430595/0	46	1	p. 19	325961220/0	1	1	p. 3	
122675110/0	30	2	p. 5	127430600/0	45	1	p. 5	327010209/0	24	2	p. 5	
122675110/0	39	2	p. 13	127510103/0	52	1	p. 15	327045072/0	19	4	p. 9	
122746617/0	8	1	p. 9	127510114/0	70	1	p. 21	327045074/0	14	1	p. 9	
124487995/0	22	4	p. 9	127510116/0	15	2	p. 31	327060108/1	3	1	p. 27	
124487995/0	32	1	p. 23	127510120/0	5	1	p. 15	327060109/0	2	1	p. 27	
124487997/0	7	1	p. 15	127510121/0	21	2	p. 19	327060110/0	4	1	p. 27	
124487997/0	56	1	p. 11	127510122/1	8	1	p. 23	327060111/1	1	1	p. 27	
124487998/0	24	2	p. 31	127510122/1	10	1	p. 23	327063026/0	94	1	p. 17	
124487998/0	69	1	p. 21	127510123/0	75	2	p. 21	327107505/0	30	1	p. 19	
124487999/0	3	1	p. 31	127510124/0	34	1	p. 15	327110481/1	21	1	p. 3	
125040636/1	57	2	p. 19	127510125/0	62	1	p. 21	327110484/0	25	1	p. 3	
125160048/0	17	2	p. 5	127510126/0	23	1	p. 23	327110488/0	12	1	p. 3	
125253004/0	11	3	p. 31	127510126/0	36	1	p. 23	327110490/0	13	1	p. 3	
125394501/0	4	1	p. 13	127510127/0	25	2	p. 31	327110492/0	3	1	p. 3	
125394510/0	1	1	p. 23	127580077/0	15	1	p. 19	327110494/0	22	1	p. 3	
125394510/0	43	1	p. 19	127590068/0	71	2	p. 11	327110507/0	87	1	p. 17	
125430208/1	7	1	p. 23	127600118/0	19	1	p. 29	327110508/0	8	1	p. 5	
125430218/1	17	1	p. 31	127600119/0	16	1	p. 29	327110517/1	16	1	p. 3	
125430259/0	63	1	p. 25	127604008/0	28	1	p. 23	327110518/0	5	1	p. 3	
125430263/0	16	2	p. 5	127604014/0	56	1	p. 25	327110519/0	2	1	p. 3	
125463200/0	69	1	p. 25	127604015/0	29	1	p. 15	327110567/0	10	1	p. 3	
125510021/1	1	1	p. 31	127722359/1	17	1	p. 29	327140057/0	18	1	p. 31	
125510022/1	23	2	p. 31	127790000/1	16	1	p. 13	327140058/0	16	1	p. 31	
125510085/1	19	1	p. 23	127840055/0	2	1	p. 9	327315135/0	45	1	p. 19	
125590000/0	64	2	p. 11	127840056/0	24	1	p. 19	327315137/0	76	1	p. 17	
125590000/0	70	2	p. 11	127840057/0	65	1	p. 21	327315139/0	24	1	p. 15	
125590018/0	66	2	p. 11	127840058/1	21	1	p. 23	327315149/0	2	1	p. 23	
125601579/0	56	2	p. 19	133215000/0	12	1	p. 29	327315151/0	74	1	p. 25	
125670005/2	68	4	p. 11	133340040/0	11	1	p. 29	327315151/1	74	1	p. 25	
125670007/0	59	1	p. 25	133500007/0	10	1	p. 29	327394003/2	14	1	p. 31	
125670023/0	7	2	p. 9	135061428/0	31	1	p. 23	327394004/0	24	1	p. 3	
125722471/0	38	1	p. 3	135061429/0	75	1	p. 17	327488001/0	7	1	p. 19	
125722477/0	41	1	p. 3	182180051/0	3	1	p. 29	327500065/0	57	1	p. 7	
125840011/1	12	1	p. 31	182180090/0	3	1	p. 29	327500500/0	8	1	p. 3	
125943004/0	15	2	p. 9	184000256/0	1	1	p. 13	327500501/0	7	1	p. 3	
125943010/0	4	4	p. 3	184040139/0	1	1	p. 29	327543025/0	50	1	p. 5	
125943010/0	7	2	p. 27	184044013/0	69	2	p. 11	327543027/0	41	1	p. 5	
125943010/0	19	6	p. 3	184044015/0	65	2	p. 11	327543029/0	33	4	p. 5	
125943010/0	22	2	p. 13	184106074/0	26	1	p. 3	327543037/0	58	2	p. 19	
125943010/0	48	2	p. 5	184109505/0	70	1	p. 25	327543039/0	23	1	p. 5	
125943011/0	5	5	p. 27	322545142/0	43	2	p. 5	327543043/0	22	1	p. 19	
125943012/0	2	2	p. 13	322672152/0	21	1	p. 31	327543047/0	15	1	p. 5	
127023003/0	62	1	p. 25	322672152/0	63	1	p. 21	327543053/1	63	1	p. 17	
127034085/0	34	1	p. 23	322672152/0	68	2	p. 21	327546015/2	44	2	p. 15	
127034091/0	17	2	p. 9	325033086/0	2	1	p. 19	327546019/0	64	1	p. 17	
127047013/1	20	1	p. 31	325110274/0	41	1	p. 15	327580500/0	31	2	p. 9	
				325110331/0	43	1	p. 15	327600180/0	17	1	p. 13	

code	pos.	q.ty	page
327600181/0	26	1	p. 31
327650131/0	21	2	p. 5
327650133/0	53	3	p. 7
327733008/0	19	1	p. 13
327734063/0	44	1	p. 19
327734065/0	14	1	p. 23
327737500/0	5	2	p. 5
327772165/1	41	1	p. 9
327772171/0	34	1	p. 5
327772175/0	10	1	p. 19
327772177/0	19	1	p. 19
327772179/0	18	1	p. 19
327772187/0	79	1	p. 17
327772191/0	46	2	p. 23
327772199/0	33	1	p. 9
327772209/0	46	1	p. 9
327772213/0	35	1	p. 5
327772215/1	37	1	p. 5
327772223/0	68	1	p. 17
327772225/0	36	1	p. 5
327772239/0	36	1	p. 13
327772241/0	56	1	p. 7
327787089/0	18	1	p. 5
327787091/0	10	1	p. 9
327787107/0	93	1	p. 17
327869054/1	18	1	p. 13
327869061/0	23	1	p. 9
327869063/0	31	2	p. 5
382033109/0	2	1	p. 31
382547061/0	1	1	p. 5
384001035/1	47	1	p. 19
384001037/0	61	1	p. 21
384002095/0	54	1	p. 15
384002097/0	13	1	p. 15
384004604/0	4	1	p. 15
384004605/0	54	1	p. 19
384004606/0	20	1	p. 23
384108054/0	28	1	p. 19
384180218/1	55	1	p. 7
384180219/0	1	1	p. 9
384207251/0	60	1	p. 25
384220505/0	39	1	p. 23
384230409/0	21	1	p. 9
384230411/0	20	1	p. 9
384307001/1	24	1	p. 23
384317099/0	5	1	p. 23
384394751/1	9	1	p. 5
384503011/1	42	1	p. 15
384503013/0	2	1	p. 15
384520051/0	13	1	p. 9
384564114/0	1	1	p. 19
384601500/1	33	1	p. 13
384650107/0	4	1	p. 19
384680074/0	63	2	p. 11
384680076/0	72	2	p. 11
384773575/0	11	1	p. 9
384773577/0	11	1	p. 23
384783059/0	43	1	p. 9
384783061/0	38	1	p. 9
384801145/0	51	1	p. 7
384801147/0	52	1	p. 7