



## **Reservdelskatalog Parts Catalogue**

# **COMBI 36 AE**

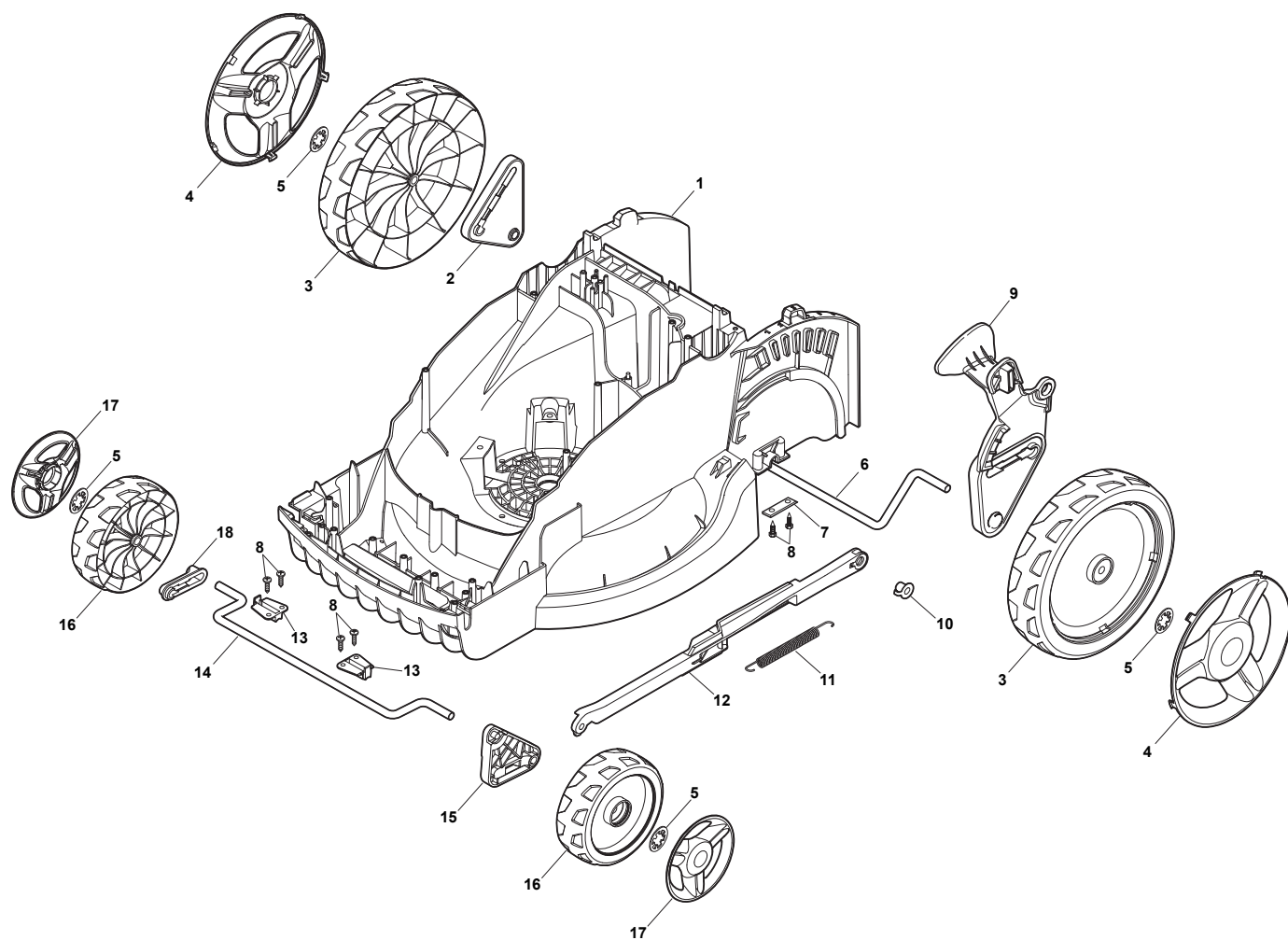
**294345068/S15 - Season 2015**

- Use GLOBAL GARDEN PRODUCT Genuine Spare Parts specified in the parts list for repair and/or replacement.
  - The contents described in the parts list may change due to improvement.
  - The drawings of the spare parts are only indicative and might not represent the part in question exactly.
  - The indications "right" - "left" - "front" - "rear" refer to the position of the operator when using the machine.
- When placing orders of parts for repair and/or replacement, make sure that the illustrated parts list is the one applying to the machine's year of manufacture, as shown on the identification plate attached to the machine.

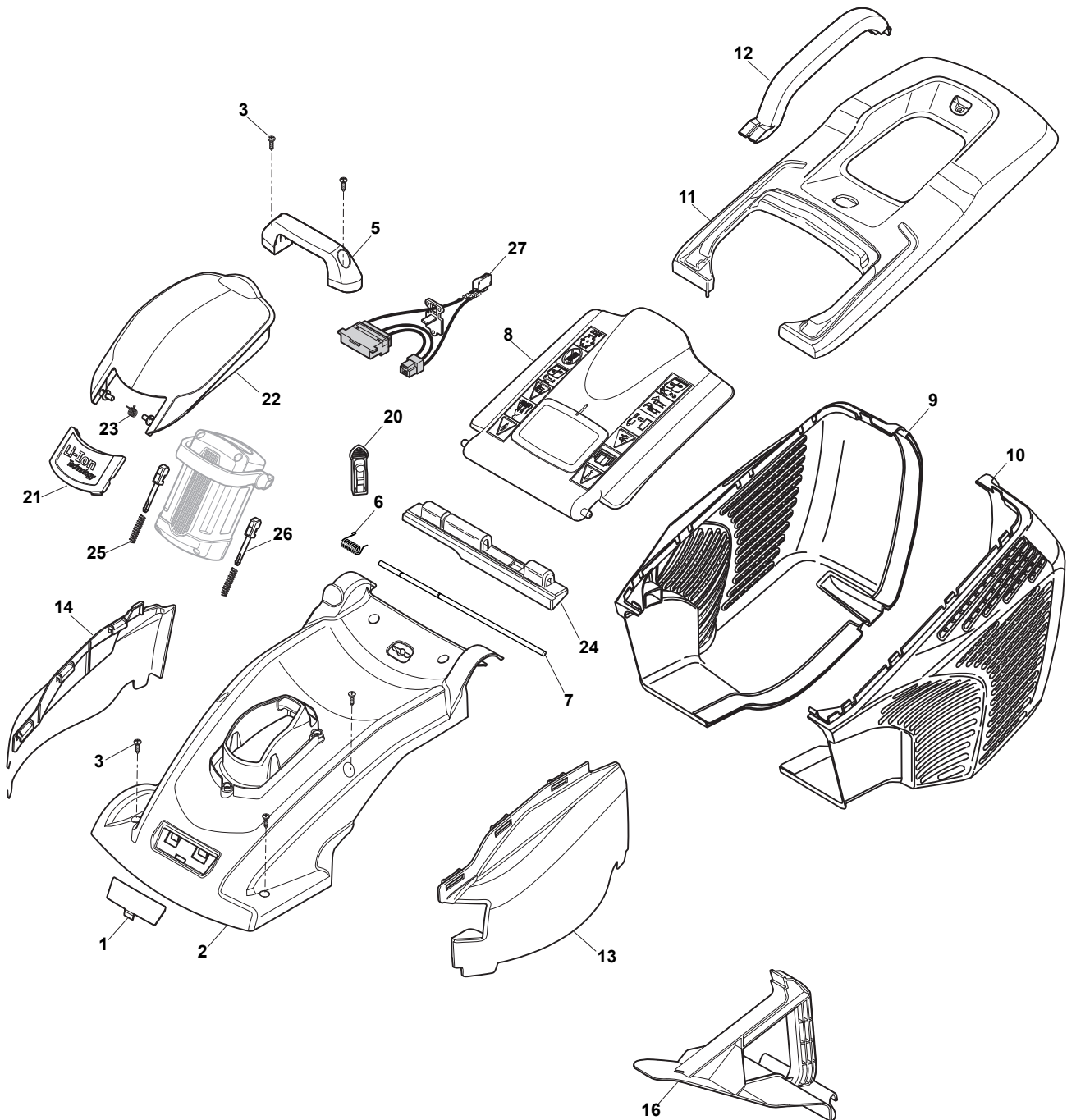
© Copyright 2015 Global Garden Products

All rights reserved. No part of this material may be reproduced or transmitted, in any form or by any means, electronic or mechanical, including photocopying, recording or by any information storage and retrieval system, without permission in writing from GLOBAL GARDEN PRODUCTS.

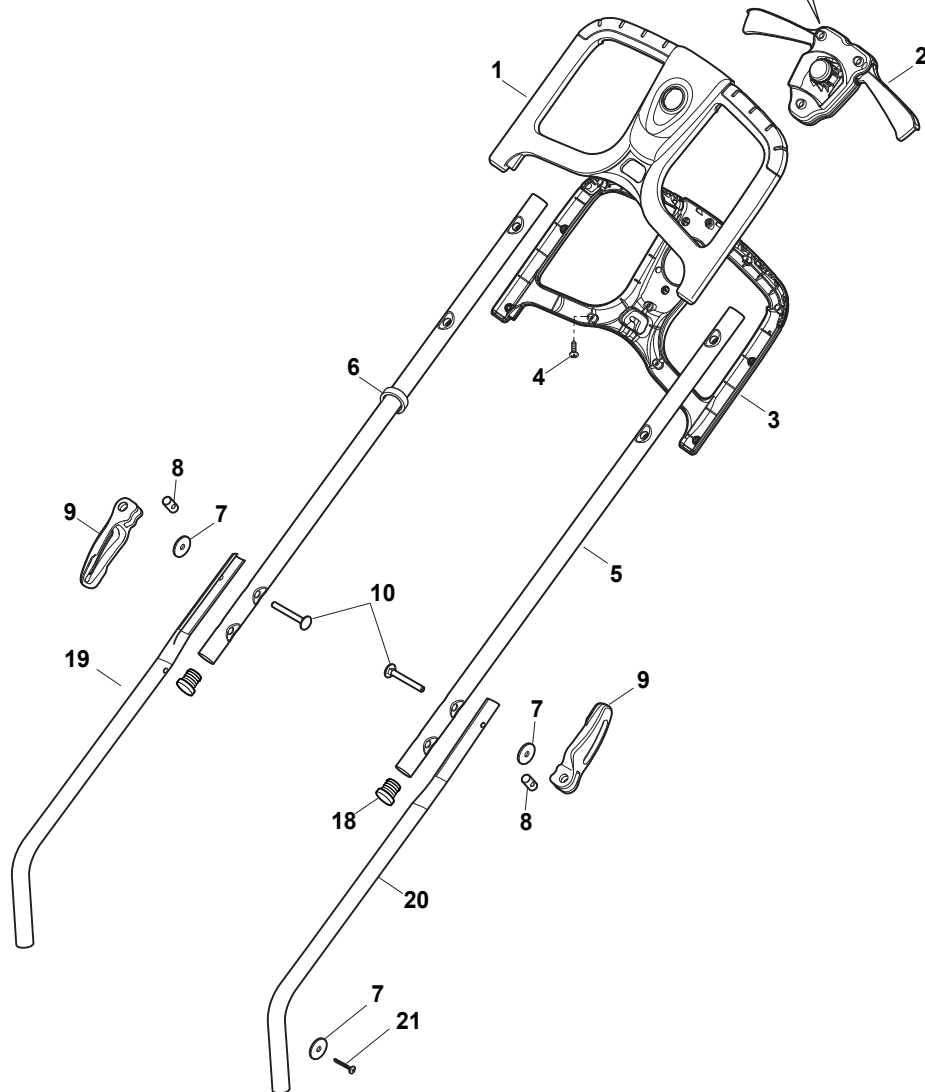
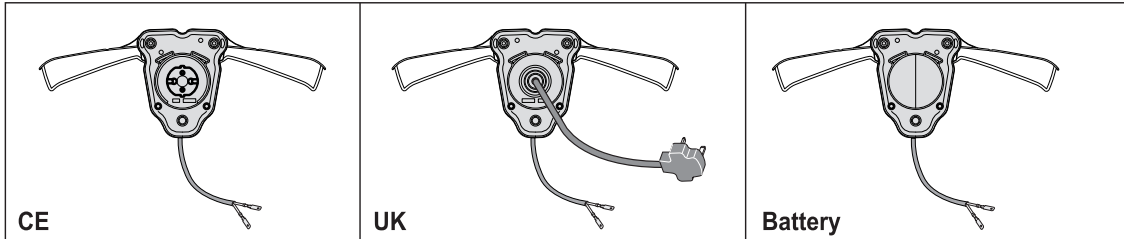
[www.stiga.com](http://www.stiga.com)



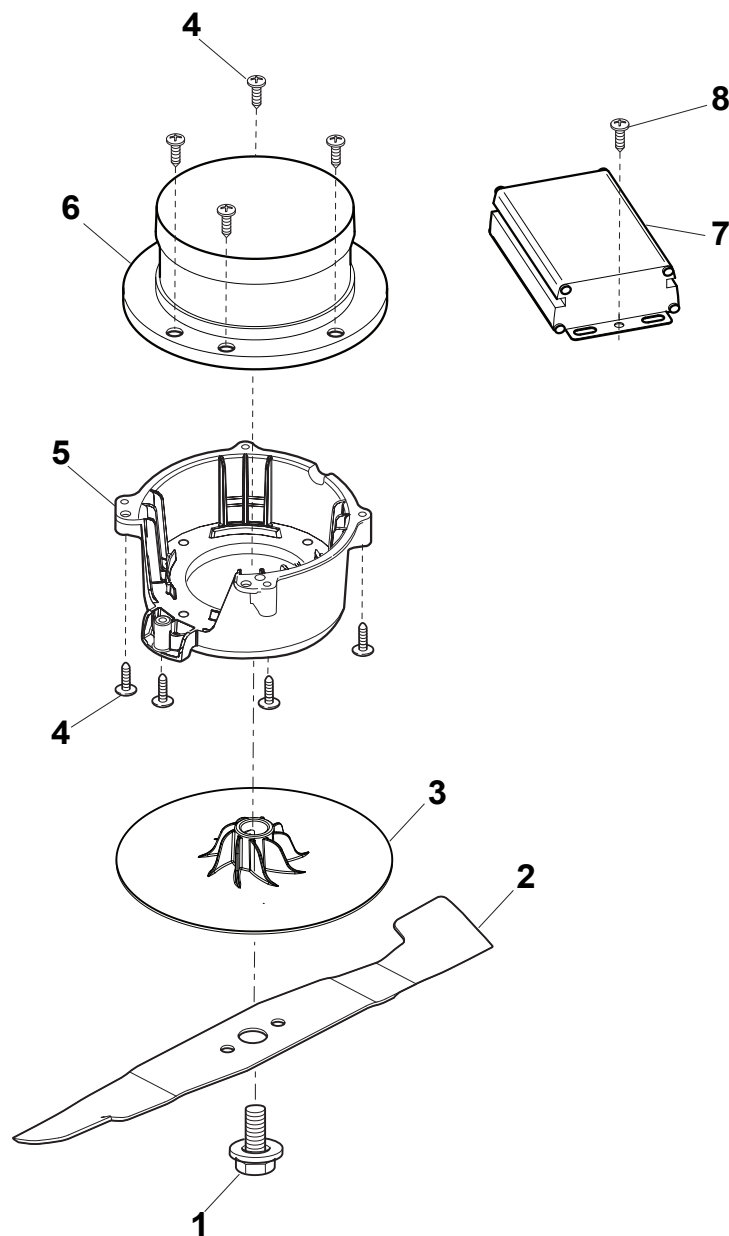
| Utgåva<br>Issue<br>18 - 2015 |               | Deck And Height Adjusting |                               | Deck And Height Adjusting |                     |
|------------------------------|---------------|---------------------------|-------------------------------|---------------------------|---------------------|
| Pos.<br>Fig.                 | Antal<br>Q.ty | Art nr<br>Part No         | Benämning                     | Description               | Anmärkning<br>Notes |
| 1                            | 1             | 322066782/0               | Chassi gra                    | Deck STIGA Grey           |                     |
| 2                            | 1             | 322785448/0               | Hjulhallare                   | Support, Wheel            |                     |
| 3                            | 2             | 322686107/0               | Hjul                          | Wheel                     |                     |
| 4                            | 2             | 322110729/0               | Navkapsel                     | Hub Cap Grey              |                     |
| 5                            | 4             | 112604903/0               | Bricka                        | Washer                    |                     |
| 6                            | 1             | 122033422/0               | Hjulaxel                      | Axle, Wheels              |                     |
| 7                            | 2             | 322545142/0               | Plat                          | Plate                     |                     |
| 8                            | 8             | 112728714/0               | Skruv                         | Screw                     |                     |
| 9                            | 1             | 322785430/0               | Höjdinställningsspak          | Lever, Height Adjustment  |                     |
| 10                           | 1             | 322524354/0               | Stift                         | Pin                       |                     |
| 11                           | 1             | 122450425/0               | Fjäder                        | Spring                    |                     |
| 12                           | 1             | 322869689/0               | Höjjusteringsstag             | Rod, Height Adjustment    |                     |
| 13                           | 2             | 322785415/0               | Plat                          | Plate                     |                     |
| 14                           | 1             | 122033422/0               | Hjulaxel                      | Axle, Wheels              |                     |
| 15                           | 1             | 322785437/0               | Hjulhallare                   | Support, Wheel            |                     |
| 16                           | 2             | 322686106/0               | Hjul                          | Wheel                     |                     |
| 17                           | 2             | 322110683/0               | Navkapsel D150 Delta gra 9022 | Hub Cap Grey              |                     |
| 18                           | 1             | 322785447/0               | Hjulhallare                   | Support, Wheel            |                     |



| Utgåva<br>Issue<br>18 - 2015 |               | Deck              |                         |                            |                     |
|------------------------------|---------------|-------------------|-------------------------|----------------------------|---------------------|
| Pos.<br>Fig.                 | Antal<br>Q.ty | Art nr<br>Part No | Benämning               | Description                | Anmärkning<br>Notes |
| 1                            | 1             | 322055252/0       | Täckplat-Gra            | Front Plate                |                     |
| 2                            | 1             | 322055529/0       | Kapa gul                | Yellow Cover               |                     |
| 3                            | 10            | 112728714/0       | Skruv                   | Screw                      |                     |
| 5                            | 1             | 322393719/0       | Handtag                 | Handle                     |                     |
| 6                            | 1             | 122450250/0       | Fjäder                  | Spring                     |                     |
| 7                            | 1             | 122512603/0       | Stift                   | Pin                        |                     |
| 8                            | 1             | 322600286/0       | Lucka gra               | Stone Guard, Grey          |                     |
| 9                            | 1             | 322486392/0       | Uppsamlare-underdel-hö  | Grass-Box, R Lower         |                     |
| 10                           | 1             | 322486391/0       | Uppsamlare-underdel, vä | Grass-Box, L Lower         |                     |
| 11                           | 1             | 322486360/0       | Uppsamlare-överdel      | Grass-Box, Upper           |                     |
| 12                           | 1             | 322393718/0       | Handtag                 | Handle                     |                     |
| 13                           | 1             | 322109897/0       | Sidoskydd               | Right Side Cover           |                     |
| 14                           | 1             | 322109898/0       | Sidoskydd               | Left Side Cover            |                     |
| 16                           | 1             | 322140241/0       | Lock                    | Mulching Plug              |                     |
| 20                           | 1             | 322076570/1       | Batterisäkerhetsnyckel  | Battery Safety Key         |                     |
| 21                           | 1             | 322545226/0       | Plat                    | Plate                      |                     |
| 22                           | 1             | 322055165/0       | Batterikapa             | Cover                      |                     |
| 23                           | 1             | 122450473/0       | Fjäder                  | Spring                     |                     |
| 24                           | 1             | 322600271/0       | Stenskyddsfäste svart   | Stone-Guard Support, Black |                     |
| 25                           | 1             | 122450472/0       | Fjäder                  | Spring                     |                     |
| 26                           | 1             | 322524355/0       | Stift                   | Pin                        |                     |
| 27                           | 1             | 118210028/0       | Säkerhetsnyckel         | Safety Key Set             | 48V                 |



| Utgåva<br>Issue<br>18 - 2015 |               | Handle, Upper Part |                              | Handle, Upper Part         |                     |
|------------------------------|---------------|--------------------|------------------------------|----------------------------|---------------------|
| Pos.<br>Fig.                 | Antal<br>Q.ty | Art nr<br>Part No  | Benämning                    | Description                | Anmärkning<br>Notes |
| 1                            | 1             | 322291068/0        | Handtagshalva, övre brytare  | Upper Half Handgrip Switch |                     |
| 2                            | 1             | 381600540/1        | Manöverdosa                  | Dead Hand Switch           | Battery Plugg       |
| 3                            | 1             | 322291069/0        | Handtagshalva, undre brytare | Lower Half Handgrip Switch |                     |
| 4                            | 11            | 112728713/0        | Skruv                        | Screw                      |                     |
| 5                            | 2             | 381007532/0        | Styre-överdel                | Handle, Upper Part         |                     |
| 6                            | 1             | 122192000/1        | Kabelhallare                 | Clamp                      |                     |
| 7                            | 4             | 112523050/0        | Bricka                       | Washer                     |                     |
| 8                            | 2             | 122524352/0        | Stift                        | Pin                        |                     |
| 9                            | 2             | 322319519/0        | Handtag                      | Fixing Lever Handle        |                     |
| 10                           | 2             | 122943016/0        | Skruv                        | Screw                      |                     |
| 18                           | 2             | 118566116/0        | Plugg                        | Cap                        |                     |
| 19                           | 1             | 381007529/0        | Styre-underdel, hö           | Right Handle, Lower Part   |                     |
| 20                           | 1             | 381007530/0        | Styre-underdel               | Left Handle, Lower Part    |                     |
| 21                           | 2             | 112728450/0        | Skruv                        | Screw                      |                     |





| Utgåva<br>Issue<br>18 - 2015 |               | Blade             |                 |               |                     |
|------------------------------|---------------|-------------------|-----------------|---------------|---------------------|
| Pos.<br>Fig.                 | Antal<br>Q.ty | Art nr<br>Part No | Benämning       | Description   | Anmärkning<br>Notes |
| 1                            | 1             | 381004352/1       | Skruv           | Screw         |                     |
| 2                            | 1             | 181004159/0       | Kniv            | Blade         |                     |
| 3                            | 1             | 322465653/0       | Nab             | Hub           |                     |
| 4                            | 8             | 112728699/0       | Skruv           | Screw         |                     |
| 5                            | 1             | 322207230/0       | Fläns           | Flange        |                     |
| 6                            | 1             | 118563515/0       | Elmotor Batteri | Engine Battey |                     |
| 7                            | 1             | 118206003/0       | Kontroller      | Controller    |                     |
| 8                            | 1             | 112728714/0       | Skruv           | Screw         |                     |
| 9                            | 1             | 112508122/0       | Bricka          | Washer        |                     |

| code        | pos. | q.ty | page |
|-------------|------|------|------|
| 112508122/0 | 9    | 1    | p. 9 |
| 112523050/0 | 7    | 4    | p. 7 |
| 112604903/0 | 5    | 4    | p. 3 |
| 112728450/0 | 21   | 2    | p. 7 |
| 112728699/0 | 4    | 8    | p. 9 |
| 112728713/0 | 4    | 11   | p. 7 |
| 112728714/0 | 3    | 10   | p. 5 |
| 112728714/0 | 8    | 1    | p. 9 |
| 112728714/0 | 8    | 8    | p. 3 |
| 118206003/0 | 7    | 1    | p. 9 |
| 118210028/0 | 27   | 1    | p. 5 |
| 118563515/0 | 6    | 1    | p. 9 |
| 118566116/0 | 18   | 2    | p. 7 |
| 122033422/0 | 6    | 1    | p. 3 |
| 122033422/0 | 14   | 1    | p. 3 |
| 122192000/1 | 6    | 1    | p. 7 |
| 122450250/0 | 6    | 1    | p. 5 |
| 122450425/0 | 11   | 1    | p. 3 |
| 122450472/0 | 25   | 1    | p. 5 |
| 122450473/0 | 23   | 1    | p. 5 |
| 122512603/0 | 7    | 1    | p. 5 |
| 122524352/0 | 8    | 2    | p. 7 |
| 122943016/0 | 10   | 2    | p. 7 |
| 181004159/0 | 2    | 1    | p. 9 |
| 322055165/0 | 22   | 1    | p. 5 |
| 322055252/0 | 1    | 1    | p. 5 |
| 322055529/0 | 2    | 1    | p. 5 |
| 322066782/0 | 1    | 1    | p. 3 |
| 322076570/1 | 20   | 1    | p. 5 |
| 322109897/0 | 13   | 1    | p. 5 |
| 322109898/0 | 14   | 1    | p. 5 |
| 322110683/0 | 17   | 2    | p. 3 |
| 322110729/0 | 4    | 2    | p. 3 |
| 322140241/0 | 16   | 1    | p. 5 |
| 322207230/0 | 5    | 1    | p. 9 |
| 322291068/0 | 1    | 1    | p. 7 |
| 322291069/0 | 3    | 1    | p. 7 |
| 322319519/0 | 9    | 2    | p. 7 |
| 322393718/0 | 12   | 1    | p. 5 |
| 322393719/0 | 5    | 1    | p. 5 |
| 322465653/0 | 3    | 1    | p. 9 |
| 322486360/0 | 11   | 1    | p. 5 |
| 322486391/0 | 10   | 1    | p. 5 |
| 322486392/0 | 9    | 1    | p. 5 |
| 322524354/0 | 10   | 1    | p. 3 |
| 322524355/0 | 26   | 1    | p. 5 |
| 322545142/0 | 7    | 2    | p. 3 |
| 322545226/0 | 21   | 1    | p. 5 |
| 322600271/0 | 24   | 1    | p. 5 |
| 322600286/0 | 8    | 1    | p. 5 |
| 322686106/0 | 16   | 2    | p. 3 |
| 322686107/0 | 3    | 2    | p. 3 |
| 322785415/0 | 13   | 2    | p. 3 |
| 322785430/0 | 9    | 1    | p. 3 |
| 322785437/0 | 15   | 1    | p. 3 |
| 322785447/0 | 18   | 1    | p. 3 |
| 322785448/0 | 2    | 1    | p. 3 |
| 322869689/0 | 12   | 1    | p. 3 |
| 381004352/1 | 1    | 1    | p. 9 |
| 381007529/0 | 19   | 1    | p. 7 |
| 381007530/0 | 20   | 1    | p. 7 |
| 381007532/0 | 5    | 2    | p. 7 |
| 381600540/1 | 2    | 1    | p. 7 |