



Reservdelskatalog Parts Catalogue

COMBI 36 E

294340068/S14 - Season 2015

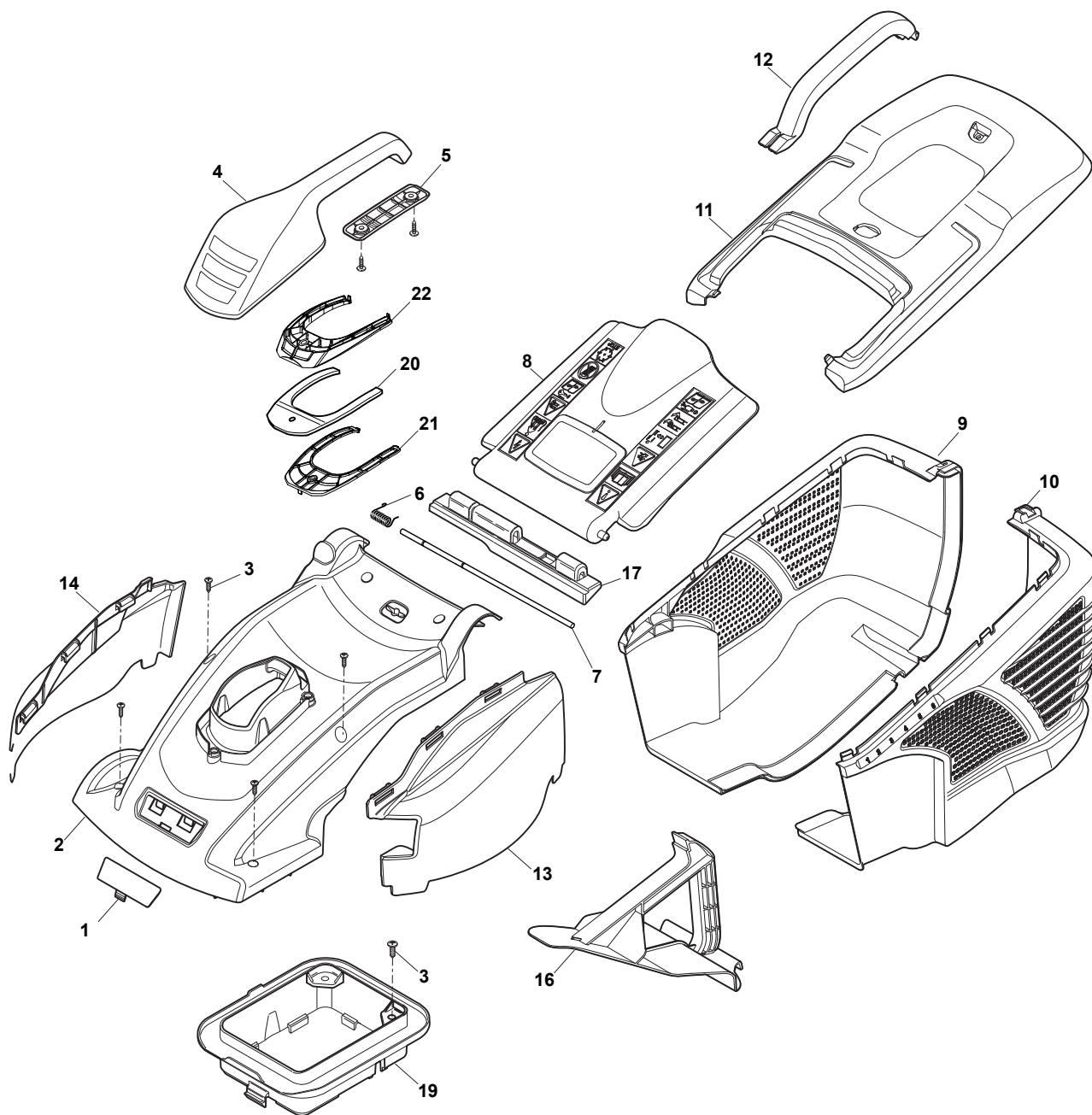
- Use GLOBAL GARDEN PRODUCT Genuine Spare Parts specified in the parts list for repair and/or replacement.
 - The contents described in the parts list may change due to improvement.
 - The drawings of the spare parts are only indicative and might not represent the part in question exactly.
 - The indications "right" - "left" - "front" - "rear" refer to the position of the operator when using the machine.
- When placing orders of parts for repair and/or replacement, make sure that the illustrated parts list is the one applying to the machine's year of manufacture, as shown on the identification plate attached to the machine.

© Copyright 2015 Global Garden Products

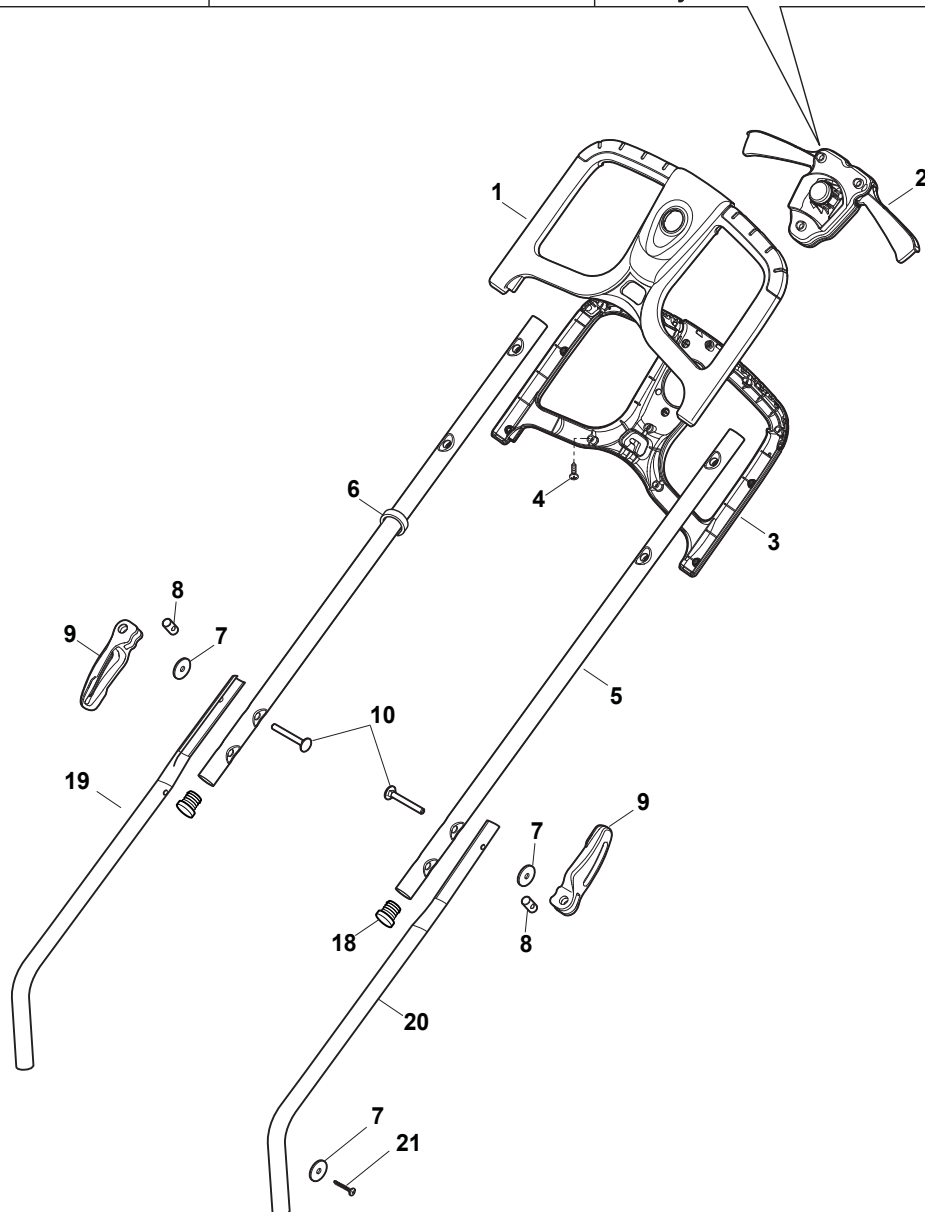
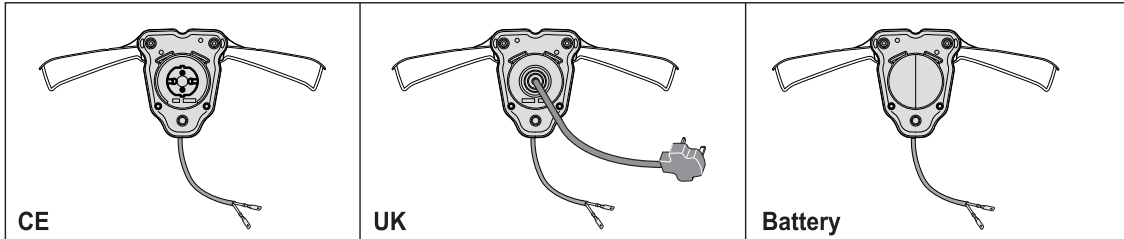
All rights reserved. No part of this material may be reproduced or transmitted, in any form or by any means, electronic or mechanical, including photocopying, recording or by any information storage and retrieval system, without permission in writing from GLOBAL GARDEN PRODUCTS.

www.stiga.com

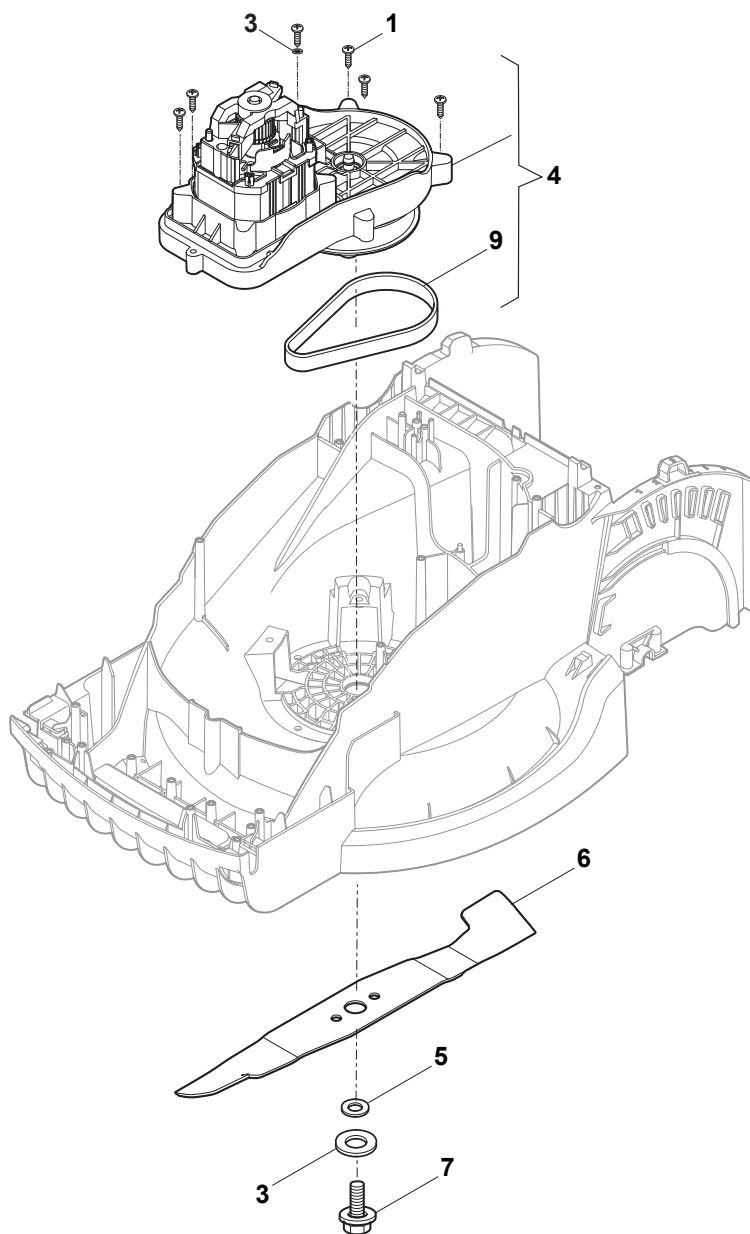
Utgåva Issue 3 - 2015		Deck And Height Adjusting		Deck And Height Adjusting	
Pos. Fig.	Antal Quantity	Art nr Part No	Benämning	Description	Anmärkning Notes
2	1	322785448/0	Hjulhallare	Support, Wheel	
12	1	322869689/0	Höjjusteringsstag	Rod, Height Adjustment	
15	1	322785437/0	Hjulhallare	Support, Wheel	
18	1	322785447/0	Hjulhallare	Support, Wheel	
1	1	322066782/0	Chassi gra	Deck STIGA Grey	
3	2	322686107/0	Hjul	Wheel	
4	2	322110729/0	Navkapsel	Hub Cap Grey	
5	4	112604903/0	Bricka	Washer	
6	1	122033422/0	Hjulaxel	Axle, Wheels	
7	2	322545142/0	Plat	Plate	
8	8	112728714/0	Skruv	Screw	
9	1	322785430/0	Höjdinställningsspak	Lever, Height Adjustment	
10	1	322524354/0	Stift	Pin	
11	1	122450425/0	Fjäder	Spring	
13	2	322785415/0	Plat	Plate	
14	1	122033422/0	Hjulaxel	Axle, Wheels	
16	2	322686106/0	Hjul	Wheel	
17	2	322110683/0	Navkapsel-Gra	Hub Cap Grey	



Utgåva Issue 3 - 2015		Deck			
Pos. Fig.	Antal Quantity	Art nr Part No	Benämning	Description	Anmärkning Notes
2	1	322055238/0	Kapa gul	Yellow Cover	
1	1	322055252/0	Täckplat-Gra	Front Plate	
8	1	322600286/0	Lucka gra	Stone Guard, Grey	
9	1	322486392/0	Uppsamlare-underdel-hö	Grass-Box, R Lower	
10	1	322486391/0	Uppsamlare-underdel, vä	Grass-Box, L Lower	
13	1	322109897/0	Sidoskydd	Right Side Cover	
14	1	322109898/0	Sidoskydd	Left Side Cover	
17	1	322600287/0	Support	Support	
3	13	112728714/0	Skruv	Screw	
4	1	322393701/0	kapa Handtag gra	Cover	
5	1	322393659/0	Handtag, nedresKapa, gul	Handle, Lower Part	
6	1	122450250/0	Fjäder	Spring	
7	1	122512603/0	Stift	Pin	
11	1	322486360/0	Uppsamlare-överdel	Grass-Box, Upper	
12	1	322393656/0	Uppsamlarhandtag gra	Handle	
16	1	322140241/0	Lock	Mulching Plug	
19	1	322393700/0	Hus, motor	Engine Protection	
20	1	118401005/0	Filter	Filter	
21	1	322055201/0	Filterram överdel	Filter Frame Upper Part	
22	1	322055202/0	Filterram underdel	Filter Frame Lower Part	



Utgåva Issue 3 - 2015		Handle, Upper Part		Handle, Upper Part	
Pos. Fig.	Antal Quantity	Art nr Part No	Benämning	Description	Anmärkning Notes
9	2	322319526/0	Handtag	Fixing Lever Handle	Grey
9	2	322319519/0	Handtag	Fixing Lever Handle	Yellow
1	1	322291068/0	Handtagshalva, övre brytare	Upper Half Handgrip Switch	
2	1	381600539/1	Manöverdosa	Dead Hand Switch	CE Plugg
3	1	322291069/0	Handtagshalva, undre brytare	Lower Half Handgrip Switch	
4	11	112728713/0	Skruv	Screw	
5	2	381007532/0	Styre-överdel	Handle, Upper Part	
6	1	122192000/1	Kabelhallare	Clamp	
7	4	112523050/0	Bricka	Washer	
8	2	122524352/0	Stift	Pin	
10	2	122943016/0	Skruv	Screw	
18	2	118566116/0	Plugg	Cap	
19	1	381007529/0	Styre-underdel, hö	Right Handle, Lower Part	
20	1	381007530/0	Styre-underdel	Left Handle, Lower Part	
21	2	112728450/0	Skruv	Screw	



Utgåva Issue 3 - 2015		Blade			
Pos. Fig.	Antal Quantity	Art nr Part No	Benämning	Description	Anmärkning Notes
1	5	112728699/0	Skruv	Screw	
3	1	122671651/0	Bricka	Washer	
4	1	118563702/0	Elmotor	Motor	1200W
5	1	112508122/0	Bricka	Washer	
6	1	181004157/0	Kniv	Blade	
7	1	112793312/0	Skruv	Screw	
9	1	118810092/0	Drivrem	Belt	

code	pos.	q.ty	page
112508122/0	5	1	p. 9
112523050/0	7	4	p. 7
112604903/0	5	4	p. 3
112728450/0	21	2	p. 7
112728699/0	1	5	p. 9
112728713/0	4	11	p. 7
112728714/0	3	13	p. 5
112728714/0	8	8	p. 3
112793312/0	7	1	p. 9
118401005/0	20	1	p. 5
118563702/0	4	1	p. 9
118566116/0	18	2	p. 7
118810092/0	9	1	p. 9
122033422/0	6	1	p. 3
122033422/0	14	1	p. 3
122192000/1	6	1	p. 7
122450250/0	6	1	p. 5
122450425/0	11	1	p. 3
122512603/0	7	1	p. 5
122524352/0	8	2	p. 7
122671651/0	3	1	p. 9
122943016/0	10	2	p. 7
181004157/0	6	1	p. 9
322055201/0	21	1	p. 5
322055202/0	22	1	p. 5
322055238/0	2	1	p. 5
322055252/0	1	1	p. 5
322066782/0	1	1	p. 3
322109897/0	13	1	p. 5
322109898/0	14	1	p. 5
322110683/0	17	2	p. 3
322110729/0	4	2	p. 3
322140241/0	16	1	p. 5
322291068/0	1	1	p. 7
322291069/0	3	1	p. 7
322319519/0	9	2	p. 7
322319526/0	9	2	p. 7
322393656/0	12	1	p. 5
322393659/0	5	1	p. 5
322393700/0	19	1	p. 5
322393701/0	4	1	p. 5
322486360/0	11	1	p. 5
322486391/0	10	1	p. 5
322486392/0	9	1	p. 5
322524354/0	10	1	p. 3
322545142/0	7	2	p. 3
322600286/0	8	1	p. 5
322600287/0	17	1	p. 5
322686106/0	16	2	p. 3
322686107/0	3	2	p. 3
322785415/0	13	2	p. 3
322785430/0	9	1	p. 3
322785437/0	15	1	p. 3
322785447/0	18	1	p. 3
322785448/0	2	1	p. 3
322869689/0	12	1	p. 3
381007529/0	19	1	p. 7
381007530/0	20	1	p. 7
381007532/0	5	2	p. 7
381600539/1	2	1	p. 7