



## **Reservdelskatalog Parts Catalogue**

### **COMBI 40 AE**

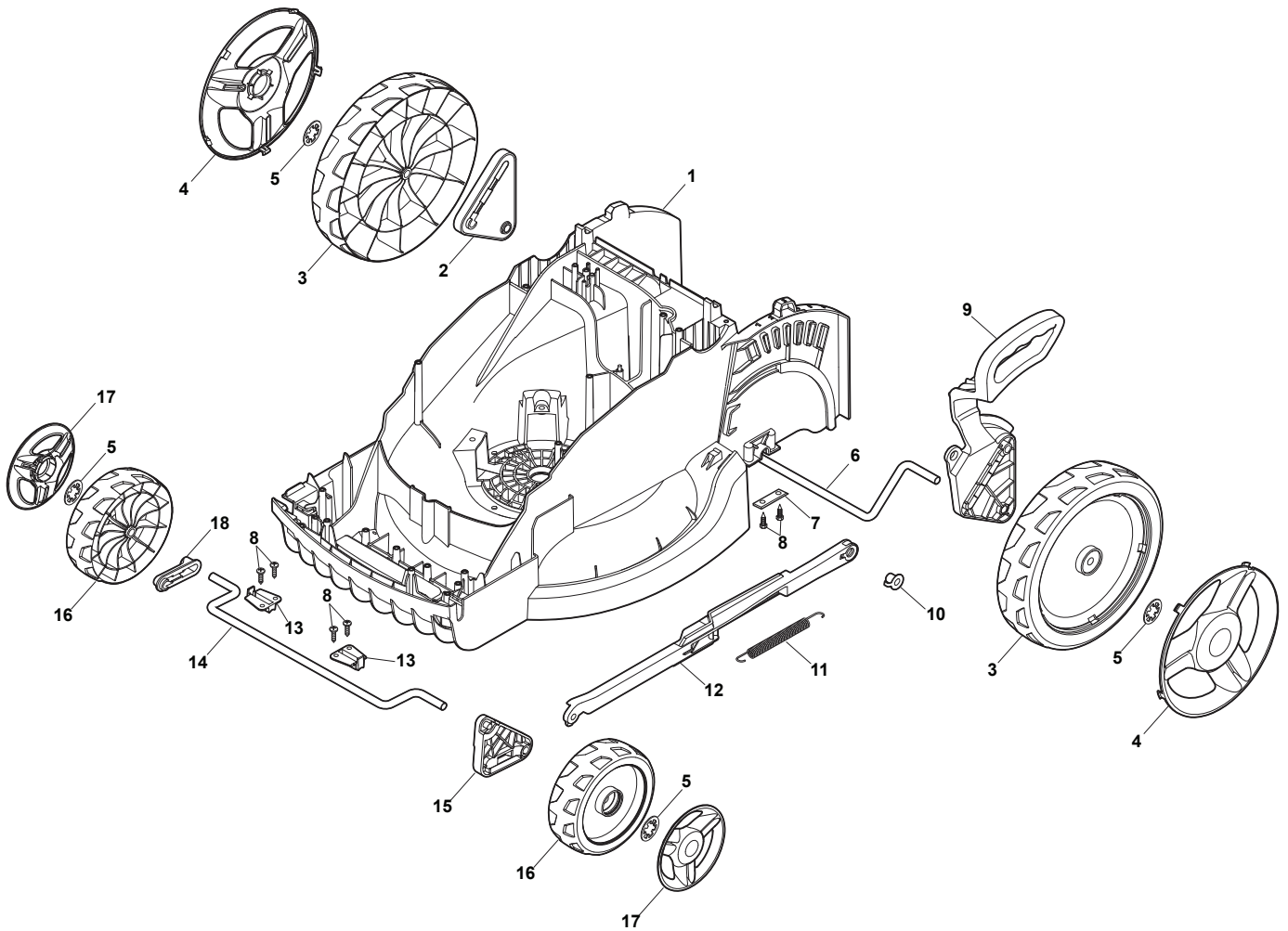
**294383068/S15 - Season 2015**

- Use GLOBAL GARDEN PRODUCT Genuine Spare Parts specified in the parts list for repair and/or replacement.
  - The contents described in the parts list may change due to improvement.
  - The drawings of the spare parts are only indicative and might not represent the part in question exactly.
  - The indications "right" - "left" - "front" - "rear" refer to the position of the operator when using the machine.
- When placing orders of parts for repair and/or replacement, make sure that the illustrated parts list is the one applying to the machine's year of manufacture, as shown on the identification plate attached to the machine.

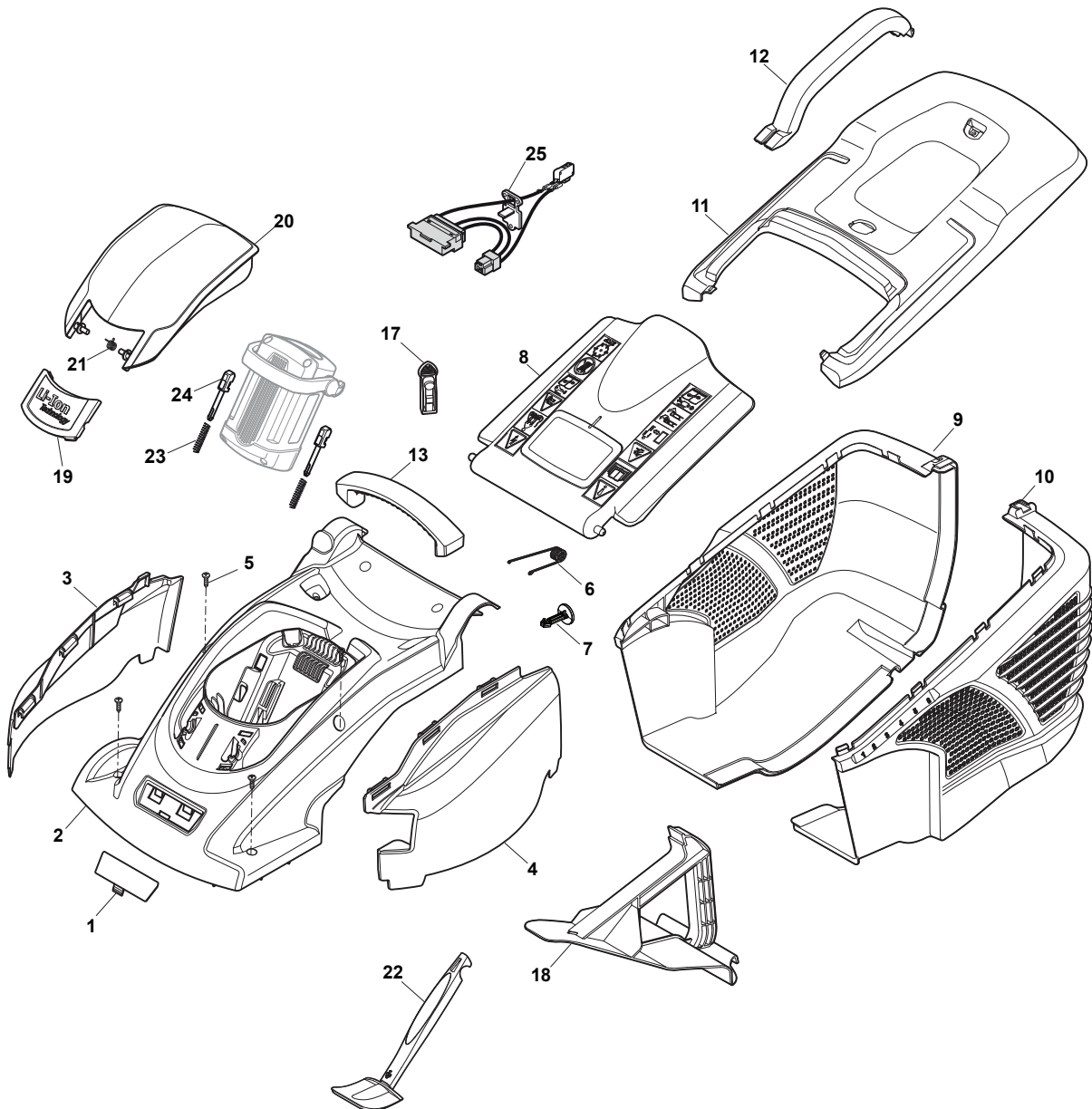
© Copyright 2015 Global Garden Products

All rights reserved. No part of this material may be reproduced or transmitted, in any form or by any means, electronic or mechanical, including photocopying, recording or by any information storage and retrieval system, without permission in writing from GLOBAL GARDEN PRODUCTS.

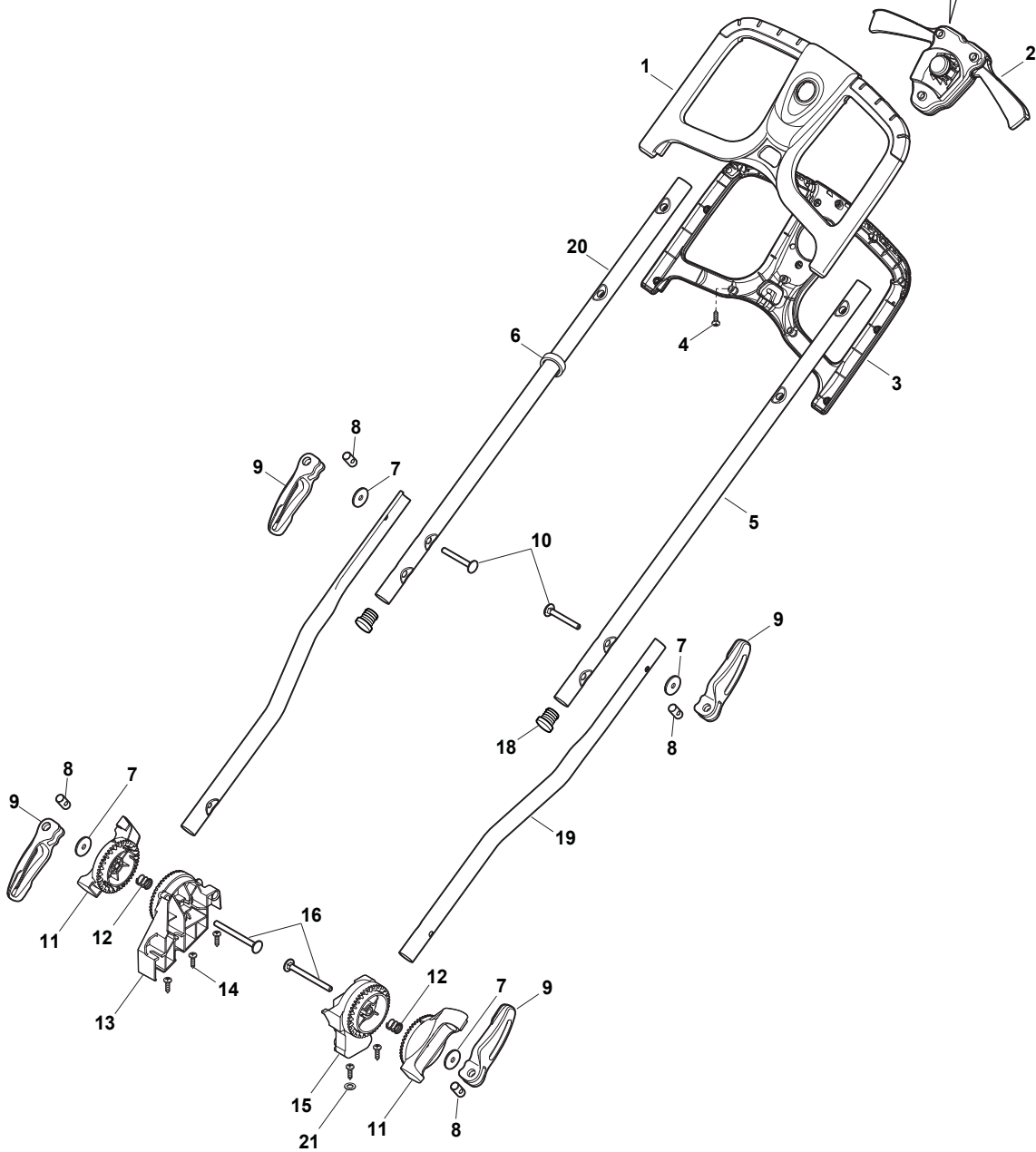
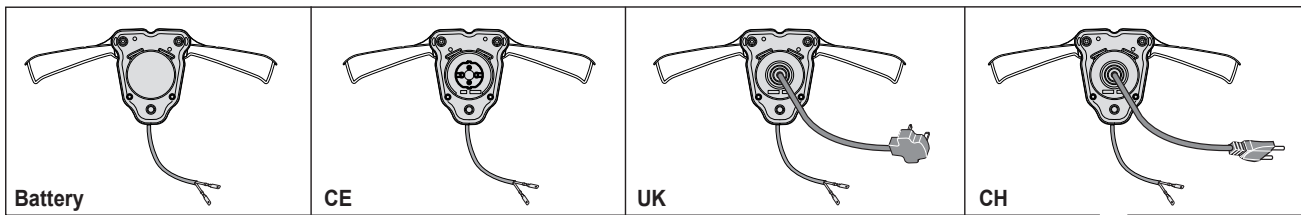
[www.stiga.com](http://www.stiga.com)



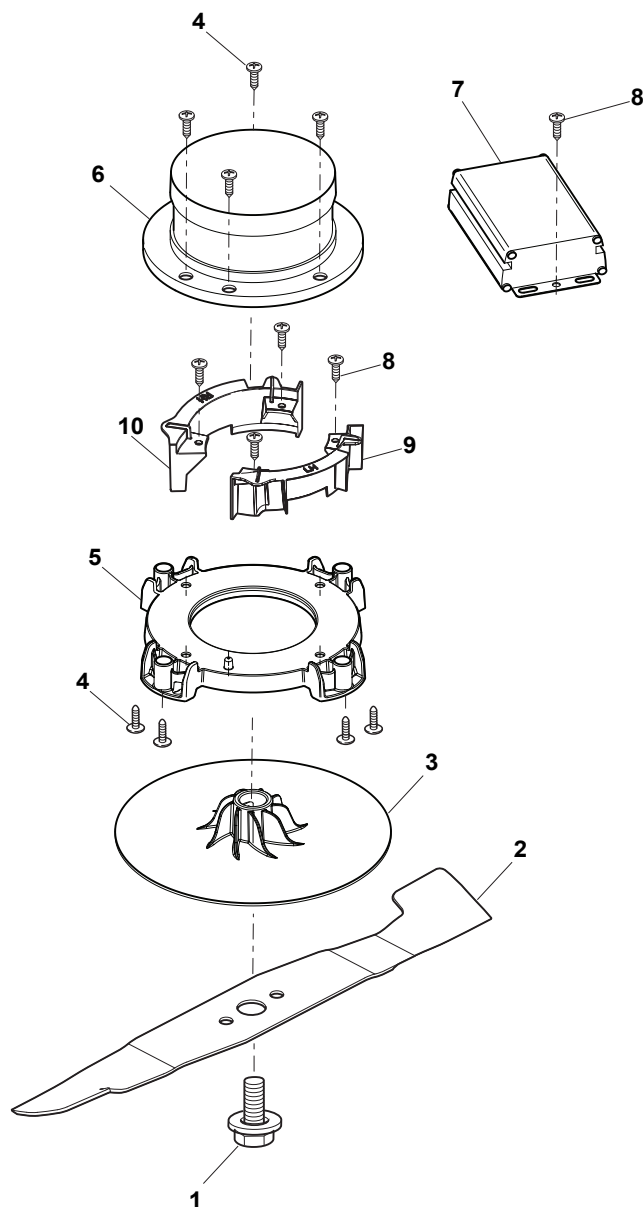
| Utgåva<br>Issue<br>18 - 2015 |               | Kapa och höjdställning<br>Deck And Height Adjusting |                               |                          |                     |
|------------------------------|---------------|---|-------------------------------|--------------------------|---------------------|
| Pos.<br>Fig.                 | Antal<br>Q.ty | Art nr<br>Part No                                   | Benämning                     | Description              | Anmärkning<br>Notes |
| 1                            | 1             | 322066783/0   | Chassi gra                    | Deck STIGA Grey          |                     |
| 2                            | 1             | 322785450/0   | Hjulhallare                   | Support, Wheel           |                     |
| 3                            | 2             | 322686105/0   | Hjul                          | Wheel                    |                     |
| 4                            | 2             | 322110684/0   | Navkapsel D250 Delta gra 9022 | Hub Cap Grey             |                     |
| 5                            | 4             | 112604903/0   | Bricka                        | Washer                   |                     |
| 6                            | 1             | 122033425/0   | Hjulaxel-bakre                | Rear Wheel Axle          |                     |
| 7                            | 2             | 322545142/0   | Plat                          | Plate                    |                     |
| 8                            | 8             | 112728714/0   | Skruv                         | Screw                    |                     |
| 9                            | 1             | 322785414/1   | Höjdställningsspak            | Lever, Height Adjustment |                     |
| 10                           | 1             | 322524354/0   | Stift                         | Pin                      |                     |
| 11                           | 1             | 122446195/0   | Fjäder                        | Spring                   |                     |
| 12                           | 1             | 322869690/0   | Höjdställningsstag            | Rod, Height Adjustment   |                     |
| 13                           | 2             | 322785415/0   | Plat                          | Plate                    |                     |
| 14                           | 1             | 122033424/0   | Hjulaxel-bakre                | Rear Wheel Axle          |                     |
| 15                           | 1             | 322785438/0   | Hjulhallare                   | Support, Wheel           |                     |
| 16                           | 2             | 322686104/0   | Hjul                          | Wheel                    |                     |
| 17                           | 2             | 322110683/0   | Navkapsel D150 Delta gra 9022 | Hub Cap Grey             |                     |
| 18                           | 1             | 322785449/0   | Hjulhallare                   | Support, Wheel           |                     |



| Utgåva<br>Issue<br>18 - 2015 |               | Kapa<br>Deck      |                               |                             |                     |
|------------------------------|---------------|-------------------|-------------------------------|-----------------------------|---------------------|
| Pos.<br>Fig.                 | Antal<br>Q.ty | Art nr<br>Part No | Benämning                     | Description                 | Anmärkning<br>Notes |
| 1                            | 1             | 322055168/0       | Täckplat-Gra                  | Front Plate                 |                     |
| 2                            | 1             | 322055528/0       | Kapa gul                      | Yellow Cover                |                     |
| 3                            | 1             | 322109565/0       | Kapa                          | Left Side Cover             |                     |
| 4                            | 1             | 322109899/0       | Kapa                          | Right Side Cover            |                     |
| 5                            | 10            | 112728714/0       | Skruv                         | Screw                       |                     |
| 6                            | 1             | 122450470/0       | Fjäder                        | Spring                      |                     |
| 7                            | 1             | 322524356/0       | Stift                         | Pin                         |                     |
| 8                            | 1             | 322600288/0       | Lucka gra                     | Stone Guard, Grey           |                     |
| 9                            | 1             | 322486393/0       | Bag Höger underdel gra        | Grass-Box, Right Lower Part |                     |
| 10                           | 1             | 322486394/0       | Bag Vänsterunderdel gra       | Grass-Box, Left Lower Part  |                     |
| 11                           | 1             | 322486323/0       | Bag gul överdel               | Grass-Box, Upper Part       |                     |
| 12                           | 1             | 322393718/0       | Handtag                       | Handle                      |                     |
| 13                           | 1             | 322393719/0       | Handtag                       | Handle                      |                     |
| 17                           | 1             | 322076570/1       | Batterisäkerhetsnyckel        | Battery Safety Key          |                     |
| 18                           | 1             | 322140242/0       | Mulching Plugg-Gra El 380     | Mulching Plug               |                     |
| 19                           | 1             | 322545222/0       | Plat                          | Plate                       |                     |
| 20                           | 1             | 322055165/0       | Batterikapa                   | Cover                       |                     |
| 21                           | 1             | 122450473/0       | Fjäder                        | Spring                      |                     |
| 22                           | 1             | 113300215/0       | Scraper 250 Accessories Stiga | Scraper                     |                     |
| 23                           | 1             | 122450472/0       | Fjäder                        | Spring                      |                     |
| 24                           | 1             | 322524355/0       | Stift                         | Pin                         |                     |
| 25                           | 1             | 118210028/0       | Säkerhetsnyckel               | Safety Key Set              | 48V                 |



| Utgåva<br>Issue<br>18 - 2015 |               | Reglage, övre<br>Handle, Upper Part |                                  |  |                        |
|------------------------------|---------------|-------------------------------------|----------------------------------|--|------------------------|
| Pos.<br>Fig.                 | Antal<br>Q.ty | Art nr<br>Part No                   | Benämning                        | Description                              | Anmärkning<br>Notes    |
| 1                            | 1             | 322291070/0                         | Handtagshalva, övre brytare      | Upper Half Handgrip Switch               | From 01-January-2014   |
| 2                            | 1             | 381600524/1                         | Manöverdosa                      | Dead Hand Switch                         | Battery -Yellow Button |
| 3                            | 1             | 322291071/0                         | Handtagshalva, undre brytare     | Lower Half Handgrip Switch               |                        |
| 4                            | 11            | 112728713/0                         | Skruv                            | Screw                                    |                        |
| 5                            | 1             | 381007515/0                         | Handtag                          | Handle Lower Part                        |                        |
| 6                            | 1             | 122192000/1                         | Kabelhallare                     | Clamp                                    |                        |
| 7                            | 4             | 112523050/0                         | Bricka                           | Washer                                   |                        |
| 8                            | 4             | 122524352/0                         | Stift                            | Pin                                      |                        |
| 9                            | 4             | 322319519/0                         | Handtag                          | Fixing Lever Handle                      | Yellow                 |
| 10                           | 2             | 122943016/0                         | Skruv                            | Screw                                    |                        |
| 11                           | 2             | 322246102/0                         | Handtag Länk                     | Handle Joint                             |                        |
| 12                           | 2             | 122430210/0                         | Fjäder                           | Bearing                                  |                        |
| 13                           | 2             | 322745055/0                         | Lock för Handtag gra, Höger Side | Right Joint                              |                        |
| 14                           | 5             | 112728714/0                         | Skruv                            | Screw                                    |                        |
| 15                           | 1             | 322745056/0                         | Vänstergra Lock för Handtag      | Left Joint                               |                        |
| 16                           | 2             | 122943017/0                         | Skruv                            | Screw                                    |                        |
| 18                           | 2             | 118566112/0                         | Plugg                            | Polyethylene Push Road Ivars<br>D=20inch |                        |
| 19                           | 2             | 381007513/0                         | Handtag-Övre                     | Handle Lower Part                        |                        |
| 20                           | 1             | 381007514/0                         | Handtag Rh överdel               | Right Handle, Lower Part                 |                        |
| 21                           | 1             | 112521320/0                         | Bricka                           | Washer                                   |                        |





| Utgåva<br>Issue<br>18 - 2015 |               | Kniv<br>Blade     |                      |                           |                     |
|------------------------------|---------------|-------------------|----------------------|---------------------------|---------------------|
| Pos.<br>Fig.                 | Antal<br>Q.ty | Art nr<br>Part No | Benämning            | Description               | Anmärkning<br>Notes |
| 1                            | 1             | 381004352/1       | Skruv                | Screw                     |                     |
| 2                            | 1             | 181004156/0       | Kniv                 | Blade                     |                     |
| 3                            | 1             | 322465644/1       | Nav                  | Hub                       |                     |
| 4                            | 8             | 112728699/0       | Skruv                | Screw                     |                     |
| 5                            | 1             | 322207227/0       | Kabelfäste           | Fairlead                  |                     |
| 6                            | 1             | 118563516/0       | Elmotor Batteri      | Engine Battey             | 48 V                |
| 7                            | 1             | 118206004/0       | Kontroller           | Controller                | 48 V                |
| 8                            | 1             | 112728714/0       | Skruv                | Screw                     |                     |
| 9                            | 1             | 322393686/0       | VänsterBatteri Fläns | Left Battery Flange Wall  |                     |
| 10                           | 1             | 322393685/0       | Höger Batteri Fläns  | Right Battery Flange Wall |                     |

| code        | pos. | q.ty | page |             |    |   |      |
|-------------|------|------|------|-------------|----|---|------|
| 112521320/0 | 21   | 1    | p. 7 | 381007513/0 | 19 | 2 | p. 7 |
| 112523050/0 | 7    | 4    | p. 7 | 381007514/0 | 20 | 1 | p. 7 |
| 112604903/0 | 5    | 4    | p. 3 | 381007515/0 | 5  | 1 | p. 7 |
| 112728699/0 | 4    | 8    | p. 9 | 381600524/1 | 2  | 1 | p. 7 |
| 112728713/0 | 4    | 11   | p. 7 |             |    |   |      |
| 112728714/0 | 5    | 10   | p. 5 |             |    |   |      |
| 112728714/0 | 8    | 1    | p. 9 |             |    |   |      |
| 112728714/0 | 8    | 8    | p. 3 |             |    |   |      |
| 112728714/0 | 14   | 5    | p. 7 |             |    |   |      |
| 113300215/0 | 22   | 1    | p. 5 |             |    |   |      |
| 118206004/0 | 7    | 1    | p. 9 |             |    |   |      |
| 118210028/0 | 25   | 1    | p. 5 |             |    |   |      |
| 118563516/0 | 6    | 1    | p. 9 |             |    |   |      |
| 118566112/0 | 18   | 2    | p. 7 |             |    |   |      |
| 122033424/0 | 14   | 1    | p. 3 |             |    |   |      |
| 122033425/0 | 6    | 1    | p. 3 |             |    |   |      |
| 122192000/1 | 6    | 1    | p. 7 |             |    |   |      |
| 122430210/0 | 12   | 2    | p. 7 |             |    |   |      |
| 122446195/0 | 11   | 1    | p. 3 |             |    |   |      |
| 122450470/0 | 6    | 1    | p. 5 |             |    |   |      |
| 122450472/0 | 23   | 1    | p. 5 |             |    |   |      |
| 122450473/0 | 21   | 1    | p. 5 |             |    |   |      |
| 122524352/0 | 8    | 4    | p. 7 |             |    |   |      |
| 122943016/0 | 10   | 2    | p. 7 |             |    |   |      |
| 122943017/0 | 16   | 2    | p. 7 |             |    |   |      |
| 181004156/0 | 2    | 1    | p. 9 |             |    |   |      |
| 322055165/0 | 20   | 1    | p. 5 |             |    |   |      |
| 322055168/0 | 1    | 1    | p. 5 |             |    |   |      |
| 322055528/0 | 2    | 1    | p. 5 |             |    |   |      |
| 322066783/0 | 1    | 1    | p. 3 |             |    |   |      |
| 322076570/1 | 17   | 1    | p. 5 |             |    |   |      |
| 322109565/0 | 3    | 1    | p. 5 |             |    |   |      |
| 322109899/0 | 4    | 1    | p. 5 |             |    |   |      |
| 322110683/0 | 17   | 2    | p. 3 |             |    |   |      |
| 322110684/0 | 4    | 2    | p. 3 |             |    |   |      |
| 322140242/0 | 18   | 1    | p. 5 |             |    |   |      |
| 322207227/0 | 5    | 1    | p. 9 |             |    |   |      |
| 322246102/0 | 11   | 2    | p. 7 |             |    |   |      |
| 322291070/0 | 1    | 1    | p. 7 |             |    |   |      |
| 322291071/0 | 3    | 1    | p. 7 |             |    |   |      |
| 322319519/0 | 9    | 4    | p. 7 |             |    |   |      |
| 322393685/0 | 10   | 1    | p. 9 |             |    |   |      |
| 322393686/0 | 9    | 1    | p. 9 |             |    |   |      |
| 322393718/0 | 12   | 1    | p. 5 |             |    |   |      |
| 322393719/0 | 13   | 1    | p. 5 |             |    |   |      |
| 322465644/1 | 3    | 1    | p. 9 |             |    |   |      |
| 322486323/0 | 11   | 1    | p. 5 |             |    |   |      |
| 322486393/0 | 9    | 1    | p. 5 |             |    |   |      |
| 322486394/0 | 10   | 1    | p. 5 |             |    |   |      |
| 322524354/0 | 10   | 1    | p. 3 |             |    |   |      |
| 322524355/0 | 24   | 1    | p. 5 |             |    |   |      |
| 322524356/0 | 7    | 1    | p. 5 |             |    |   |      |
| 322545142/0 | 7    | 2    | p. 3 |             |    |   |      |
| 322545222/0 | 19   | 1    | p. 5 |             |    |   |      |
| 322600288/0 | 8    | 1    | p. 5 |             |    |   |      |
| 322686104/0 | 16   | 2    | p. 3 |             |    |   |      |
| 322686105/0 | 3    | 2    | p. 3 |             |    |   |      |
| 322745055/0 | 13   | 2    | p. 7 |             |    |   |      |
| 322745056/0 | 15   | 1    | p. 7 |             |    |   |      |
| 322785414/1 | 9    | 1    | p. 3 |             |    |   |      |
| 322785415/0 | 13   | 2    | p. 3 |             |    |   |      |
| 322785438/0 | 15   | 1    | p. 3 |             |    |   |      |
| 322785449/0 | 18   | 1    | p. 3 |             |    |   |      |
| 322785450/0 | 2    | 1    | p. 3 |             |    |   |      |
| 322869690/0 | 12   | 1    | p. 3 |             |    |   |      |
| 381004352/1 | 1    | 1    | p. 9 |             |    |   |      |