



Reservdelskatalog Parts Catalogue

COMBI 48 SQ

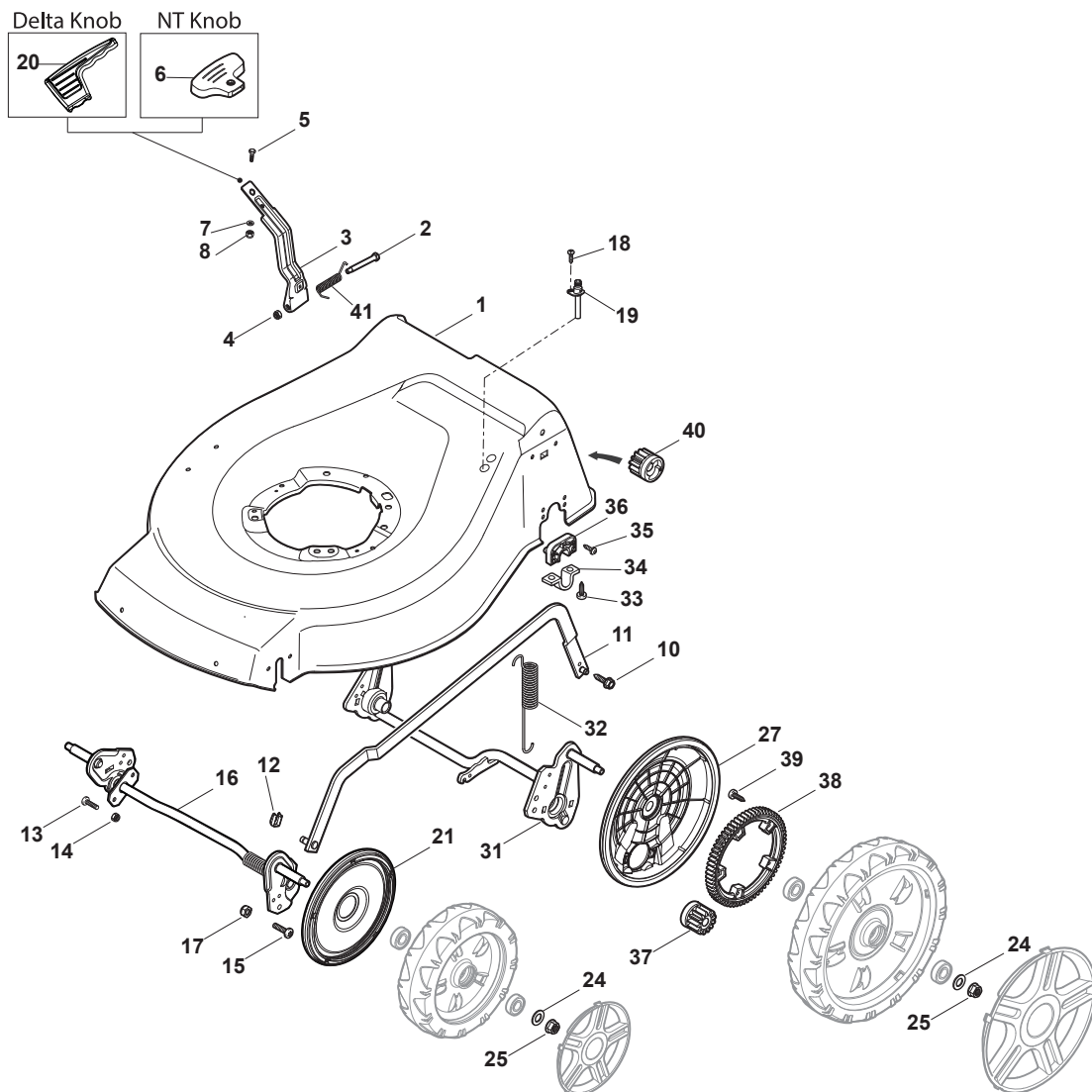
299486848/S14 - Season 2015

- Use GLOBAL GARDEN PRODUCT Genuine Spare Parts specified in the parts list for repair and/or replacement.
 - The contents described in the parts list may change due to improvement.
 - The drawings of the spare parts are only indicative and might not represent the part in question exactly.
 - The indications "right" - "left" - "front" - "rear" refer to the position of the operator when using the machine.
- When placing orders of parts for repair and/or replacement, make sure that the illustrated parts list is the one applying to the machine's year of manufacture, as shown on the identification plate attached to the machine.

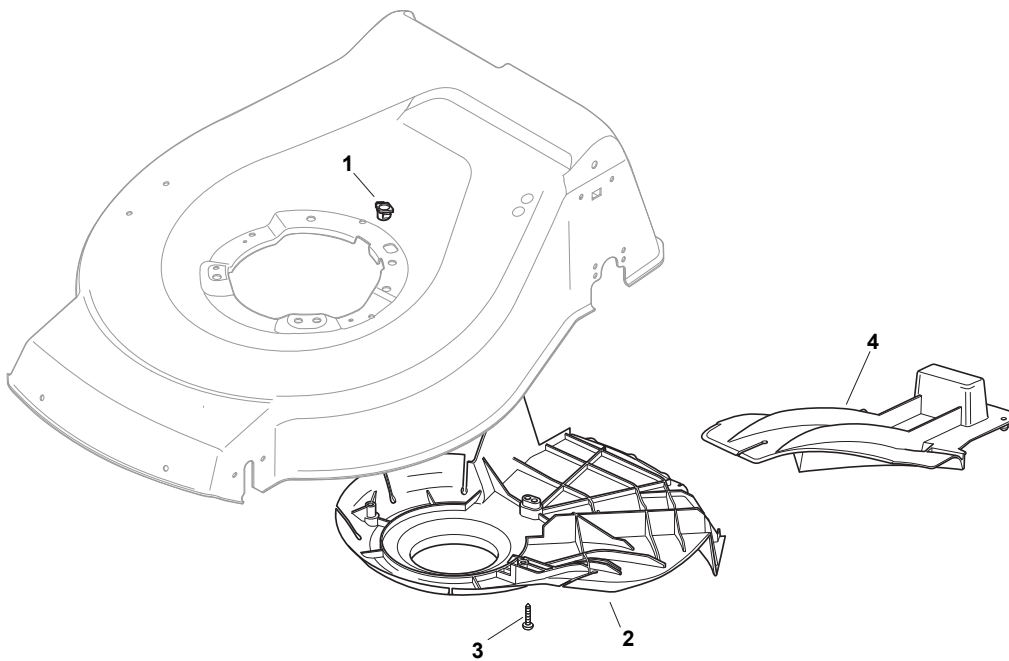
© Copyright 2015 Global Garden Products

All rights reserved. No part of this material may be reproduced or transmitted, in any form or by any means, electronic or mechanical, including photocopying, recording or by any information storage and retrieval system, without permission in writing from GLOBAL GARDEN PRODUCTS.

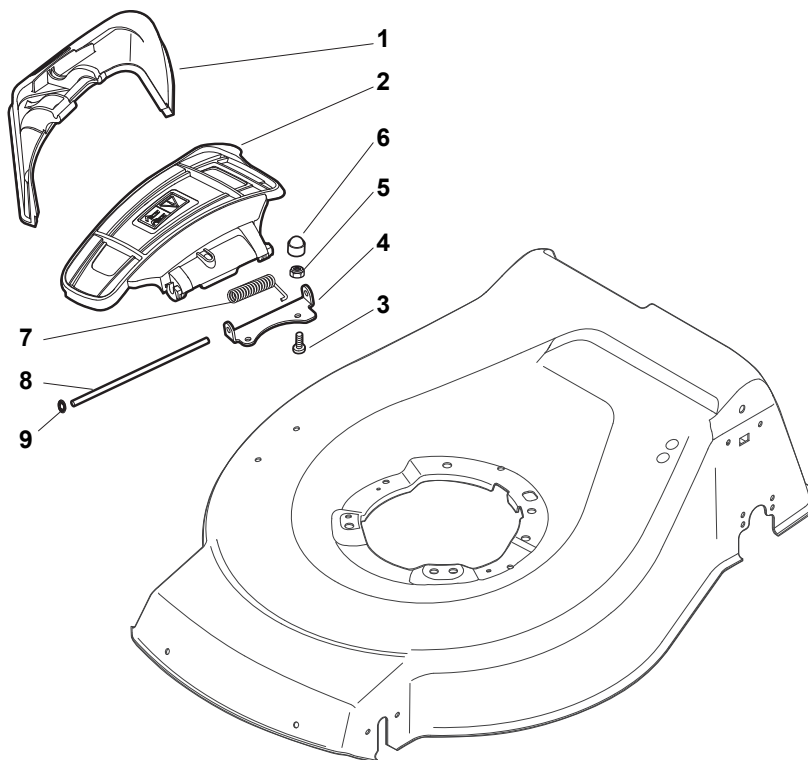
www.stiga.com



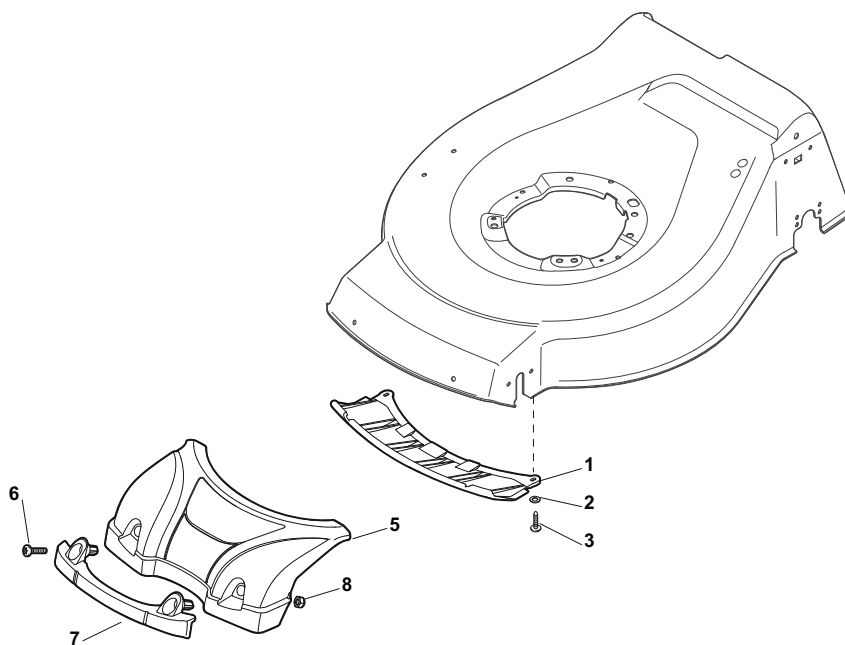
| Utgåva Issue 3 - 2015 | | Kapa och höjdställning | | Deck And Height Adjusting | |
|-----------------------------|-------------------|------------------------|----------------------------|---------------------------|---------------------|
| Pos. Fig. | Antal Quantity | Art nr Part No | Benämning | Description | Anmärkning Notes |
| 20 | 1 | 322394522/0 | Knopp.Kontroll.Spak Svart. | Knob | Delta Knob |
| 1 | 1 | 381004731/0 | Chassi-gra | Grey Deck | |
| 2 | 1 | 122534131/0 | Stift | Pin | |
| 3 | 1 | 381003398/0 | Höjdställningsspak | Lever, Height Adjustment | |
| 4 | 1 | 112154510/0 | Mutter | Nut | |
| 5 | 1 | 112788512/0 | Skruv | Screw | |
| 6 | 1 | 322394503/0 | Knopp.Kontroll.Spak Svart. | Knob | NT Knob |
| 7 | 1 | 112521310/0 | Bricka | Washer | |
| 8 | 1 | 112150000/0 | Mutter | Nut | |
| 10 | 1 | 122943013/0 | Skruv | Screw | |
| 11 | 1 | 381002030/0 | Höjdställningsstag | Rod, Height Adjustment | |
| 12 | 1 | 112436051/0 | Plat | Plate | |
| 13 | 3 | 112727803/0 | Skruv | Screw | |
| 14 | 3 | 112154510/0 | Mutter | Nut | |
| 15 | 1 | 112727801/0 | Skruv | Screw | |
| 16 | 1 | 381002883/1 | Hjulaxel-fram | Front Wheel Axle | |
| 17 | 1 | 112154510/0 | Mutter | Nut | |
| 18 | 1 | 112728450/0 | Skruv | Screw | |
| 19 | 1 | 322034002/0 | Tvättanslutning Nt (Svart) | Washing Connection | |
| 21 | 2 | 322600145/0 | Hjulskydd | Protection, Wheel | |
| 24 | 4 | 112521350/0 | Bricka | Washer | |
| 25 | 4 | 112155000/0 | Mutter | Nut | |
| 27 | 2 | 322600208/0 | Hjulskydd | Protection, Wheel | |
| 31 | 1 | 381302835/1 | Hjulaxel-bakre | Axle, Rear Wheels | |
| 32 | 1 | 122450460/0 | Fjäder | Spring | |
| 33 | 4 | 112728697/0 | Skruv | Screw | |
| 34 | 2 | 322545152/0 | Plat | Plate | |
| 35 | 4 | 112728697/0 | Skruv | Screw | |
| 36 | 2 | 322785304/1 | Fäste | Support | |
| 37 | 1 | 122570134/0 | Drev | Left Pinion | |
| 38 | 2 | 322120115/0 | Drev | Wheels Crown | |
| 39 | 6 | 112728706/0 | Skruv | Screw | |
| 40 | 1 | 122570133/0 | Drev | Right Pinion | |
| 41 | 1 | 122446192/0 | Fjäder | Spring | |



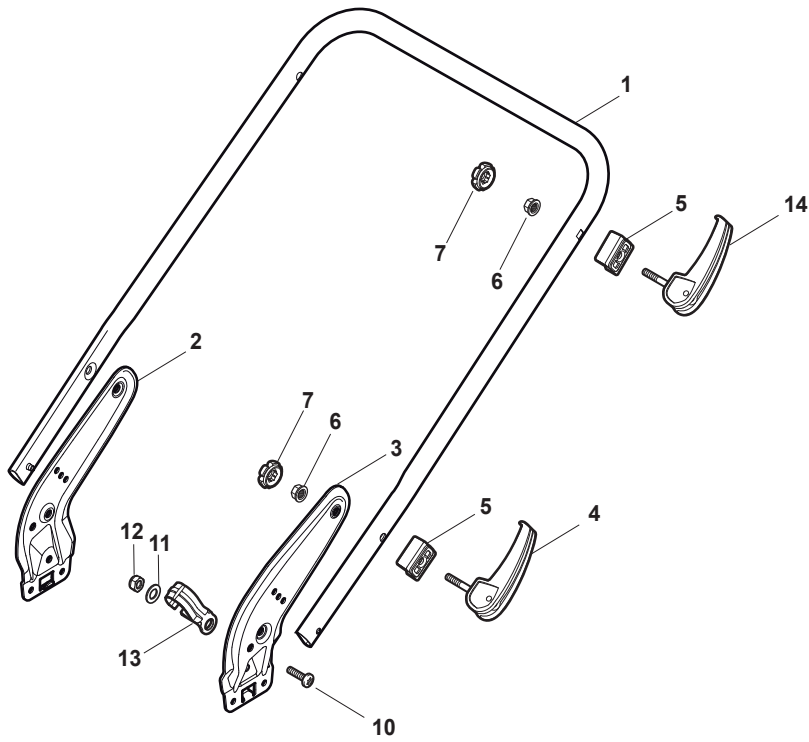
| Utgåva Issue 3 - 2015 | | Remskydd Protection, Belt | | | |
|-----------------------------|-------------------|------------------------------|------------|-----------------|---------------------|
| Pos. Fig. | Antal Quantity | Art nr Part No | Benämning | Description | Anmärkning Notes |
| 1 | 1 | 322291150/0 | Gummihylsa | Rubber Insert | |
| 2 | 1 | 322060198/1 | Remskydd | Belt Protection | |
| 3 | 3 | 112728530/0 | Skruv | Screw | |
| 4 | 1 | 322140223/0 | Mulchplugg | Deflector | |



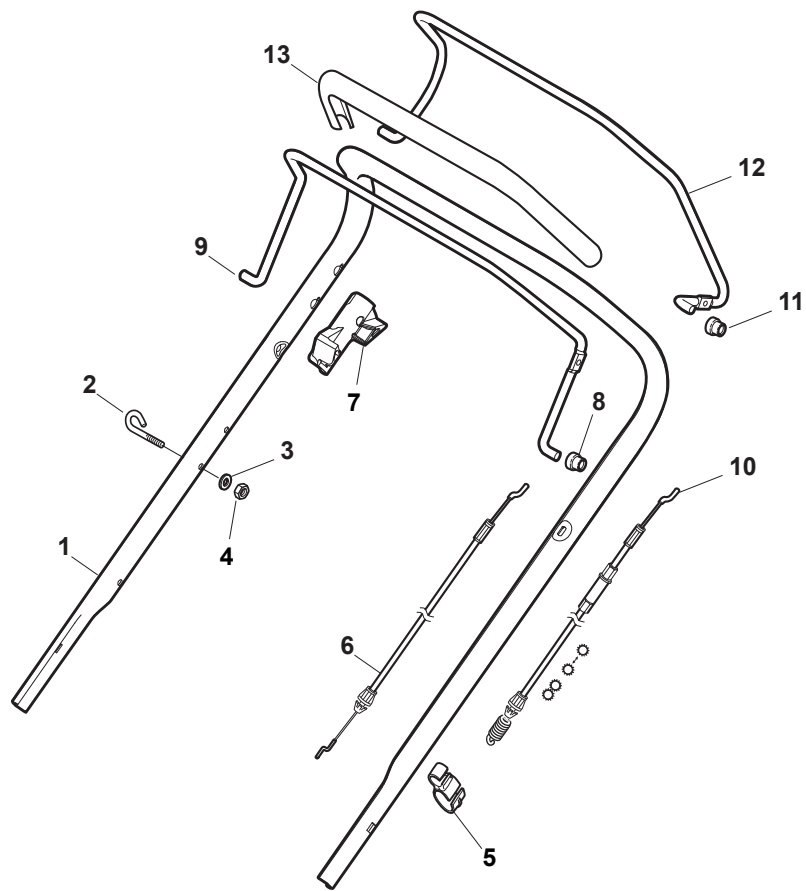
| Utgåva Issue 3 - 2015 | | Utkastskydd Ejection-Guard | | | |
|-----------------------------|-------------------|-------------------------------|------------------|------------------------|---------------------|
| Pos. Fig. | Antal Quantity | Art nr Part No | Benämning | Description | Anmärkning Notes |
| 8 | 1 | 122517869/1 | Stift | Pin | |
| 1 | 1 | 322108295/1 | Utkastskydd | Side Ejection Conveyor | |
| 2 | 1 | 322600313/0 | Utkastskydd | Ejection Guard | |
| 3 | 2 | 112727803/0 | Skruv | Screw | |
| 4 | 1 | 322806639/0 | Fäste | Fulcrum Pin | |
| 5 | 2 | 112154510/0 | Mutter | Nut | |
| 6 | 2 | 118203853/0 | Skruv | Screw | |
| 7 | 1 | 122450456/0 | Fjäder | Spring | |
| 9 | 2 | 112604896/0 | Starlock P6493 6 | Crown Fastener | |



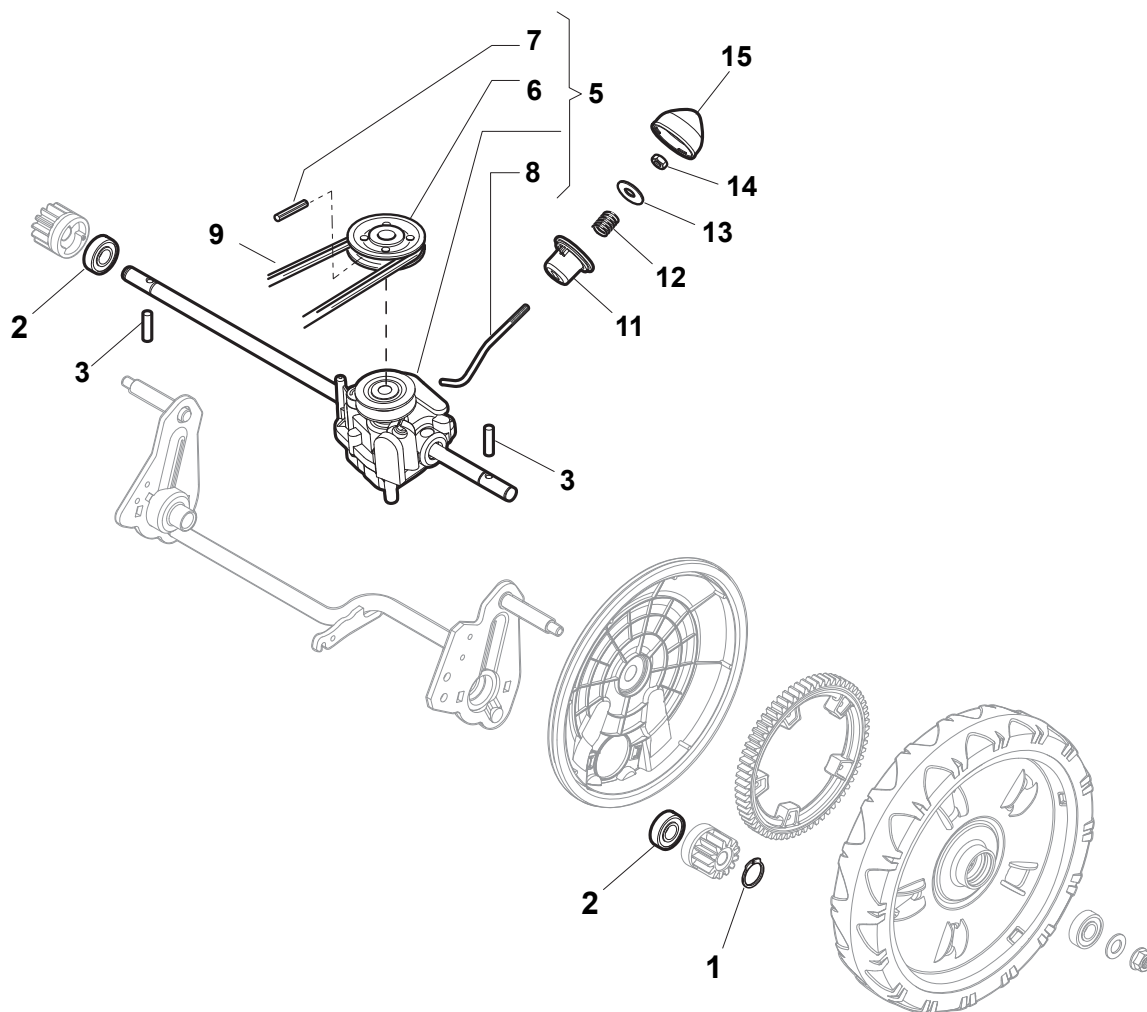
| Utgåva Issue 3 - 2015 | | Mask | | | |
|-----------------------------|-------------------|-------------------|----------------------------------|--------------|---------------------|
| Pos. Fig. | Antal Quantity | Art nr Part No | Benämning | Description | Anmärkning Notes |
| 1 | 1 | 322500102/0 | Front | Front Combi | |
| 2 | 2 | 112523000/1 | Bricka | Washer | |
| 3 | 2 | 112728124/0 | Skruv | Screw | |
| 5 | 1 | 322226195/0 | Front Stiga Nt48 gra Ncs S8000-N | Mask, Grey | With STIGA Logo |
| 6 | 2 | 112727799/0 | Skruv | Screw | |
| 7 | 1 | 322393639/0 | Handtag, främre Gra Ral9022 Ntd | Handle, Grey | |
| 8 | 2 | 112154510/0 | Mutter | Nut | |



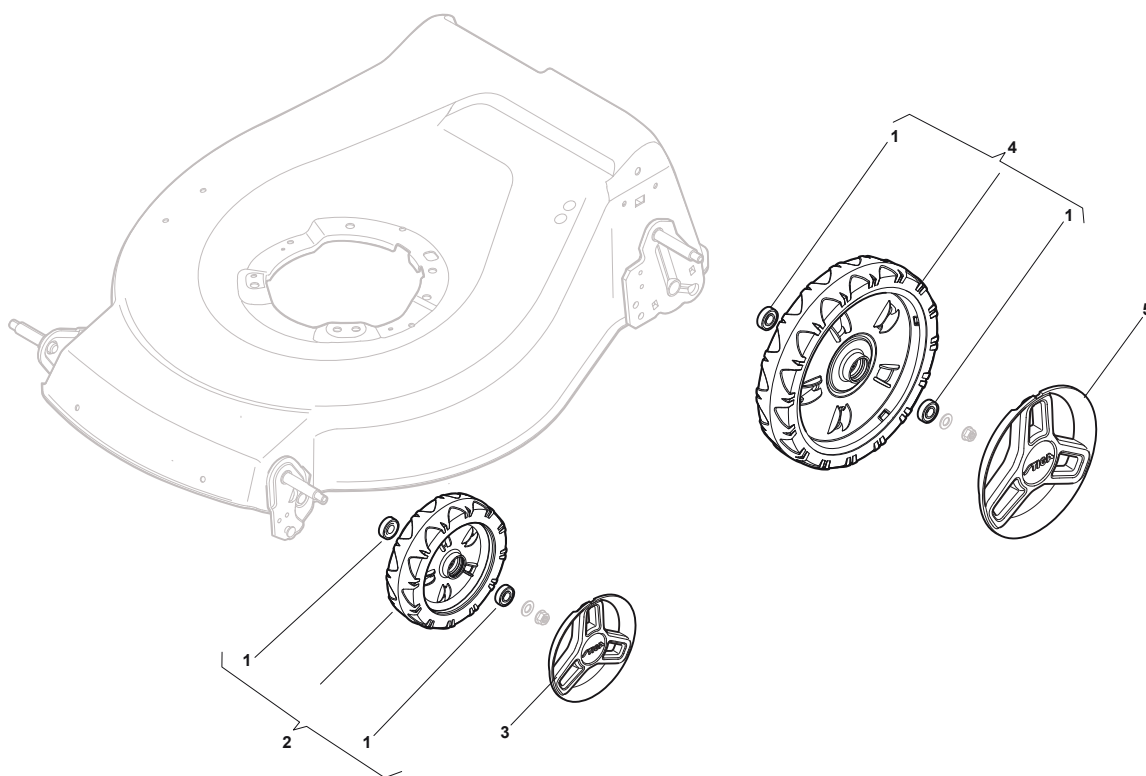
| Utgåva Issue 3 - 2015 | | Reglage, nedre Handle, Lower Part | | | |
|-----------------------------|-------------------|--------------------------------------|----------------------------|---------------------------|---------------------|
| Pos. Fig. | Antal Quantity | Art nr Part No | Benämning | Description | Anmärkning Notes |
| 2 | 1 | 381005185/0 | Fäste-hö | Right Bracket | Stiga Grey |
| 3 | 1 | 381005187/0 | Fäste-vä | Left Bracket | Stiga Grey |
| 1 | 1 | 381007539/0 | Reglage, nedre Gul | Handle, Lower Part Yellow | |
| 4 | 4 | 381003253/0 | övre Lock Handtag Spak Ntd | Handle | |
| 5 | 4 | 322680016/0 | Bricka | Washer | |
| 6 | 4 | 122131750/0 | Mutter | Nut | |
| 7 | 4 | 322399835/0 | Handtagsknopp | Knob | |
| 10 | 2 | 112760605/0 | Skruv | Screw | |
| 11 | 2 | 125038002/1 | Bussning | Bushing | |
| 12 | 2 | 112155000/0 | Mutter | Nut | |
| 13 | 1 | 322192156/0 | Fairlead HallareKlämma | Clip | |
| 14 | 2 | 381103350/0 | Lashandtag | Handle | |



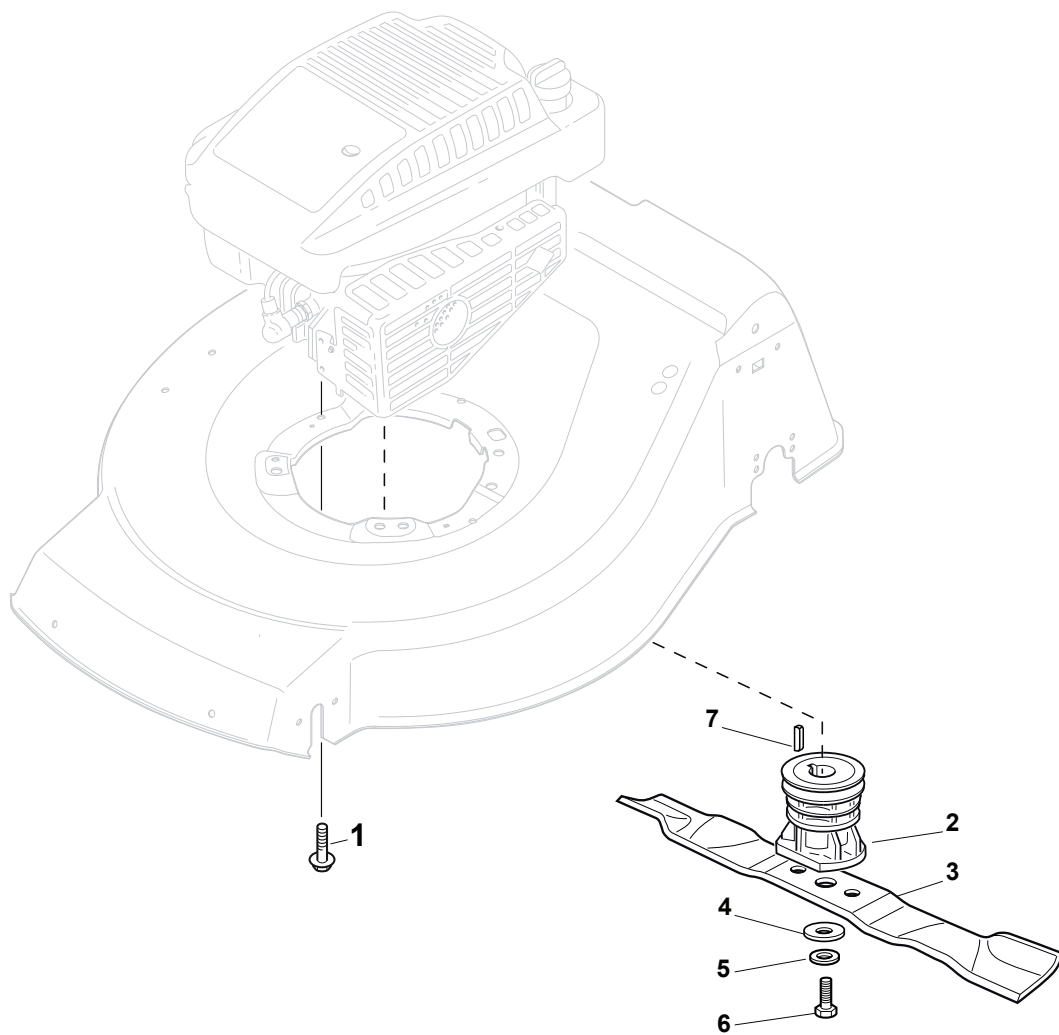
| Utgåva Issue 3 - 2015 | | Reglage, övre Handle, Upper Part | | | |
|-----------------------------|-------------------|-------------------------------------|----------------|------------------------------------|--------------------------------------|
| Pos. Fig. | Antal Quantity | Art nr Part No | Benämning | Description | Anmärkning Notes |
| 1 | 1 | 381007540/0 | Handtag, övre | Handle, Upper Part | (for NT Throttle or DELTA Dashboard) |
| 2 | 1 | 122430313/0 | Fjäder | Guide Spring | |
| 3 | 1 | 112521330/0 | Bricka | Washer | |
| 4 | 1 | 112154510/0 | Mutter | Nut | |
| 5 | 1 | 118390020/0 | Vajerhallare | Conduit Clip Caproeuropa (28-1495) | |
| 7 | 1 | 322545204/0 | Vridpunkt | Fulcrum Pin | |
| 8 | 1 | 122041966/0 | Bussning | Bushing | |
| 9 | 1 | 181003300/1 | Reglagebygel | Lever, Engine Brake | |
| 10 | 1 | 381030092/1 | Växelkabel | Cable Rear Drive | |
| 11 | 1 | 122041966/0 | Bussning | Bushing | |
| 12 | 1 | 181003301/0 | Spak Handtag | Drive Control Lever | |
| 13 | 1 | 122291050/0 | Handtag, svart | Handgrip Black | |



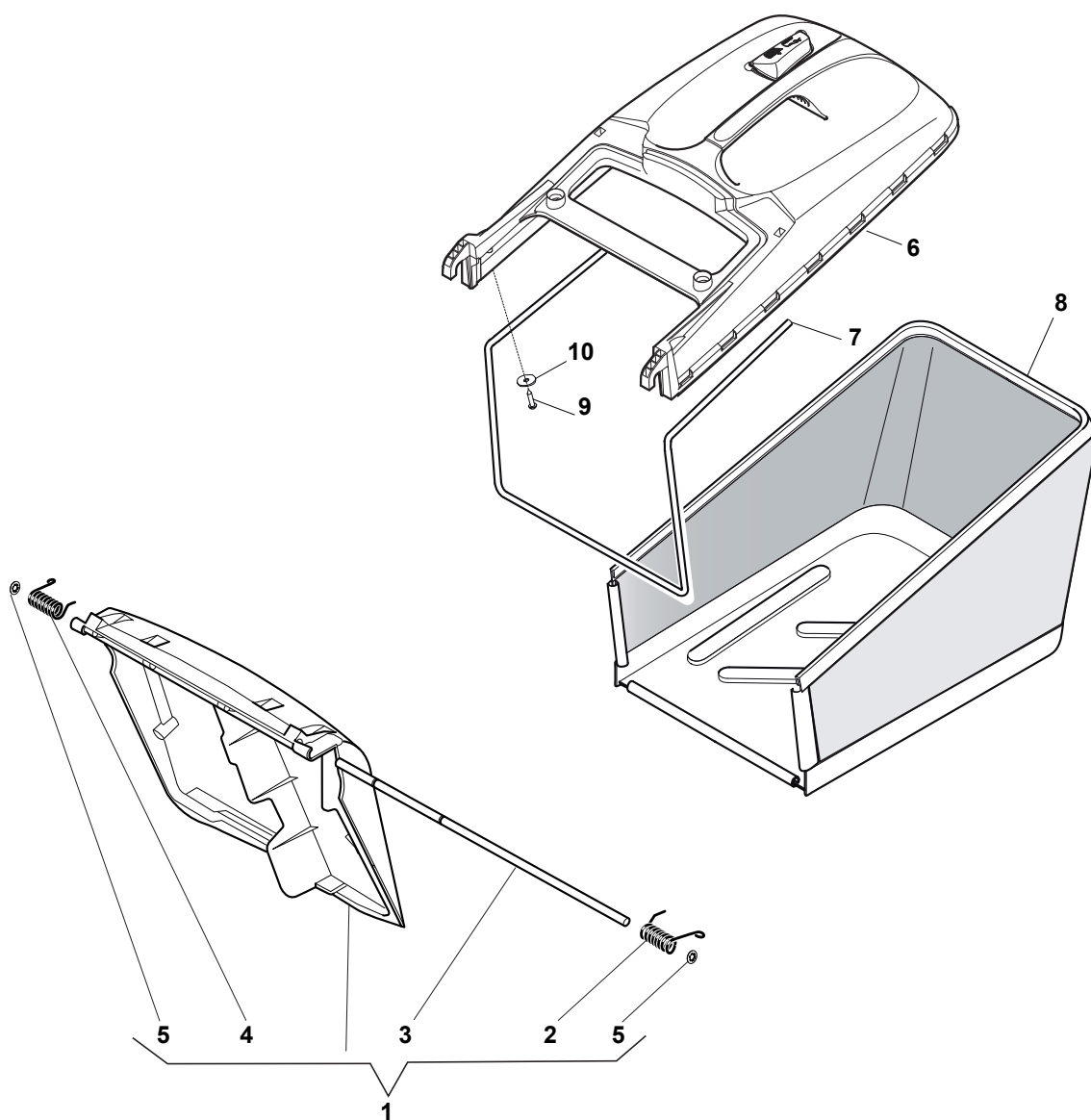
| Utgåva Issue 3 - 2015 | | Bakhjulsdrivning | | Transmission | |
|-----------------------------|-------------------|-------------------|---------------------------|------------------|---------------------|
| Pos. Fig. | Antal Quantity | Art nr Part No | Benämning | Description | Anmärkning Notes |
| 1 | 2 | 112608600/0 | Segersäkringsåkring Sga12 | Seeger | |
| 2 | 2 | 119216035/0 | Lager | Bearing | |
| 3 | 2 | 122753000/0 | Spännstift | Pin | |
| 5 | 1 | 181003076/1 | Transmission | Gear Box | |
| 6 | 1 | 122601904/0 | Remskiva | Pulley | |
| 7 | 1 | 112645700/0 | Spännstift | Elastic Pin | |
| 8 | 1 | 122033283/0 | Justerstang | Adjustment Rod | |
| 9 | 1 | 135063800/0 | Drivrem | Trapezoidal Belt | |
| 11 | 1 | 122041957/1 | Bussning | Bushing | |
| 12 | 1 | 122450063/0 | Fjäder | Spring | |
| 13 | 1 | 322680009/0 | Bricka | Washer | |
| 14 | 1 | 112154510/0 | Mutter | Nut | |
| 15 | 1 | 122110230/0 | Navkapsel | Hub Cover | |



| Utgåva Issue 3 - 2015 | | Hjul och navkapsel Wheels and Hub Caps | | | |
|-----------------------------|-------------------|---|---------------|--------------|---------------------|
| Pos. Fig. | Antal Quantity | Art nr Part No | Benämning | Description | Anmärkning Notes |
| 1 | 8 | 119216035/0 | Lager | Bearing | |
| 2 | 4 | 381007416/2 | Hjul | Wheel | |
| 3 | 2 | 322110755/0 | Navkapsel Gra | Hub Cap Grey | |
| 4 | 2 | 381007417/2 | Hjul | Wheel | |
| 5 | 2 | 322110746/0 | Navkapsel | Hub Cap Grey | |



| Utgåva Issue 3 - 2015 | | Kniv Blade | | | |
|-----------------------------|-------------------|-------------------|-----------------|------------------------------------|---------------------|
| Pos. Fig. | Antal Quantity | Art nr Part No | Benämning | Description | Anmärkning Notes |
| 1 | 3 | 112735108/1 | Skruv | Screw | |
| 2 | 1 | 122465607/3 | Knivfäste D22,2 | Hub With Pulley, Crankshaft Ø 22.2 | |
| 3 | 1 | 181004458/0 | Mulcherkniv | Mulching Blade | |
| 4 | 1 | 122160400/0 | Fjäderbricka | Elastic Disc | |
| 5 | 1 | 112523080/0 | Bricka | Washer | |
| 6 | 1 | 112735698/0 | Skruv | Screw | |
| 7 | 1 | 112139100/0 | Kil | Key | |



| Utgåva Issue 3 - 2015 | | Gräsuppsamlare Grass-Catcher | | | |
|-----------------------------|-------------------|---------------------------------|---------------------|-----------------------|---------------------|
| Pos. Fig. | Antal Quantity | Art nr Part No | Benämning | Description | Anmärkning Notes |
| 6 | 1 | 381486030/0 | Uppsamlare-överdel | Grass-Box, Upper Part | Grey |
| 1 | 1 | 381008082/2 | Lucka-gul | Stone Guard, Yellow | Yellow |
| 2 | 1 | 122450466/0 | Fjäder | Left Spring | |
| 3 | 1 | 122517882/0 | Stift | Pin | |
| 4 | 1 | 122450465/0 | Fjäder | Right Spring | |
| 5 | 2 | 112604899/0 | Starlock P6704 8 Fz | Crown Fastener | |
| 7 | 1 | 122608525/1 | Tradbygel | Stiffening Lower | |
| 8 | 1 | 181002211/0 | Uppsamlingsäck | Box, Fabric | |
| 9 | 2 | 112728680/0 | Skruv | Screw | |
| 10 | 2 | 112523050/0 | Bricka | Washer | |

| code | pos. | q.ty | page | | | | |
|-------------|------|------|-------|-------------|----|---|-------|
| 112139100/0 | 7 | 1 | p. 19 | 125038002/1 | 11 | 2 | p. 11 |
| 112150000/0 | 8 | 1 | p. 3 | 135063800/0 | 9 | 1 | p. 15 |
| 112154510/0 | 4 | 1 | p. 3 | 181002211/0 | 8 | 1 | p. 21 |
| 112154510/0 | 4 | 1 | p. 13 | 181003076/1 | 5 | 1 | p. 15 |
| 112154510/0 | 5 | 2 | p. 7 | 181003300/1 | 9 | 1 | p. 13 |
| 112154510/0 | 8 | 2 | p. 9 | 181003301/0 | 12 | 1 | p. 13 |
| 112154510/0 | 14 | 1 | p. 15 | 181004458/0 | 3 | 1 | p. 19 |
| 112154510/0 | 14 | 3 | p. 3 | 322034002/0 | 19 | 1 | p. 3 |
| 112154510/0 | 17 | 1 | p. 3 | 322060198/1 | 2 | 1 | p. 5 |
| 112155000/0 | 12 | 2 | p. 11 | 322108295/1 | 1 | 1 | p. 7 |
| 112155000/0 | 25 | 4 | p. 3 | 322110746/0 | 5 | 2 | p. 17 |
| 112436051/0 | 12 | 1 | p. 3 | 322110755/0 | 3 | 2 | p. 17 |
| 112521310/0 | 7 | 1 | p. 3 | 322120115/0 | 38 | 2 | p. 3 |
| 112521330/0 | 3 | 1 | p. 13 | 322140223/0 | 4 | 1 | p. 5 |
| 112521350/0 | 24 | 4 | p. 3 | 322192156/0 | 13 | 1 | p. 11 |
| 112523000/1 | 2 | 2 | p. 9 | 322226195/0 | 5 | 1 | p. 9 |
| 112523050/0 | 10 | 2 | p. 21 | 322291150/0 | 1 | 1 | p. 5 |
| 112523080/0 | 5 | 1 | p. 19 | 322393639/0 | 7 | 1 | p. 9 |
| 112604896/0 | 9 | 2 | p. 7 | 322394503/0 | 6 | 1 | p. 3 |
| 112604899/0 | 5 | 2 | p. 21 | 322394522/0 | 20 | 1 | p. 3 |
| 112608600/0 | 1 | 2 | p. 15 | 322399835/0 | 7 | 4 | p. 11 |
| 112645700/0 | 7 | 1 | p. 15 | 322500102/0 | 1 | 1 | p. 9 |
| 112727799/0 | 6 | 2 | p. 9 | 322545152/0 | 34 | 2 | p. 3 |
| 112727801/0 | 15 | 1 | p. 3 | 322545204/0 | 7 | 1 | p. 13 |
| 112727803/0 | 3 | 2 | p. 7 | 322600145/0 | 21 | 2 | p. 3 |
| 112727803/0 | 13 | 3 | p. 3 | 322600208/0 | 27 | 2 | p. 3 |
| 112728124/0 | 3 | 2 | p. 9 | 322600313/0 | 2 | 1 | p. 7 |
| 112728450/0 | 18 | 1 | p. 3 | 322680009/0 | 13 | 1 | p. 15 |
| 112728530/0 | 3 | 3 | p. 5 | 322680016/0 | 5 | 4 | p. 11 |
| 112728680/0 | 9 | 2 | p. 21 | 322785304/1 | 36 | 2 | p. 3 |
| 112728697/0 | 33 | 4 | p. 3 | 322806639/0 | 4 | 1 | p. 7 |
| 112728697/0 | 35 | 4 | p. 3 | 381002030/0 | 11 | 1 | p. 3 |
| 112728706/0 | 39 | 6 | p. 3 | 381002883/1 | 16 | 1 | p. 3 |
| 112735108/1 | 1 | 3 | p. 19 | 381003253/0 | 4 | 4 | p. 11 |
| 112735698/0 | 6 | 1 | p. 19 | 381003398/0 | 3 | 1 | p. 3 |
| 112760605/0 | 10 | 2 | p. 11 | 381004731/0 | 1 | 1 | p. 3 |
| 112788512/0 | 5 | 1 | p. 3 | 381005185/0 | 2 | 1 | p. 11 |
| 118203853/0 | 6 | 2 | p. 7 | 381005187/0 | 3 | 1 | p. 11 |
| 118390020/0 | 5 | 1 | p. 13 | 381007416/2 | 2 | 4 | p. 17 |
| 119216035/0 | 1 | 8 | p. 17 | 381007417/2 | 4 | 2 | p. 17 |
| 119216035/0 | 2 | 2 | p. 15 | 381007539/0 | 1 | 1 | p. 11 |
| 122033283/0 | 8 | 1 | p. 15 | 381007540/0 | 1 | 1 | p. 13 |
| 122041957/1 | 11 | 1 | p. 15 | 381008082/2 | 1 | 1 | p. 21 |
| 122041966/0 | 8 | 1 | p. 13 | 381030092/1 | 10 | 1 | p. 13 |
| 122041966/0 | 11 | 1 | p. 13 | 381103350/0 | 14 | 2 | p. 11 |
| 122110230/0 | 15 | 1 | p. 15 | 381302835/1 | 31 | 1 | p. 3 |
| 122131750/0 | 6 | 4 | p. 11 | 381486030/0 | 6 | 1 | p. 21 |
| 122160400/0 | 4 | 1 | p. 19 | | | | |
| 122291050/0 | 13 | 1 | p. 13 | | | | |
| 122430313/0 | 2 | 1 | p. 13 | | | | |
| 122446192/0 | 41 | 1 | p. 3 | | | | |
| 122450063/0 | 12 | 1 | p. 15 | | | | |
| 122450456/0 | 7 | 1 | p. 7 | | | | |
| 122450460/0 | 32 | 1 | p. 3 | | | | |
| 122450465/0 | 4 | 1 | p. 21 | | | | |
| 122450466/0 | 2 | 1 | p. 21 | | | | |
| 122465607/3 | 2 | 1 | p. 19 | | | | |
| 122517869/1 | 8 | 1 | p. 7 | | | | |
| 122517882/0 | 3 | 1 | p. 21 | | | | |
| 122534131/0 | 2 | 1 | p. 3 | | | | |
| 122570133/0 | 40 | 1 | p. 3 | | | | |
| 122570134/0 | 37 | 1 | p. 3 | | | | |
| 122601904/0 | 6 | 1 | p. 15 | | | | |
| 122608525/1 | 7 | 1 | p. 21 | | | | |
| 122753000/0 | 3 | 2 | p. 15 | | | | |
| 122943013/0 | 10 | 1 | p. 3 | | | | |