



Reservdelskatalog Parts Catalogue

COMBI 48 S AE

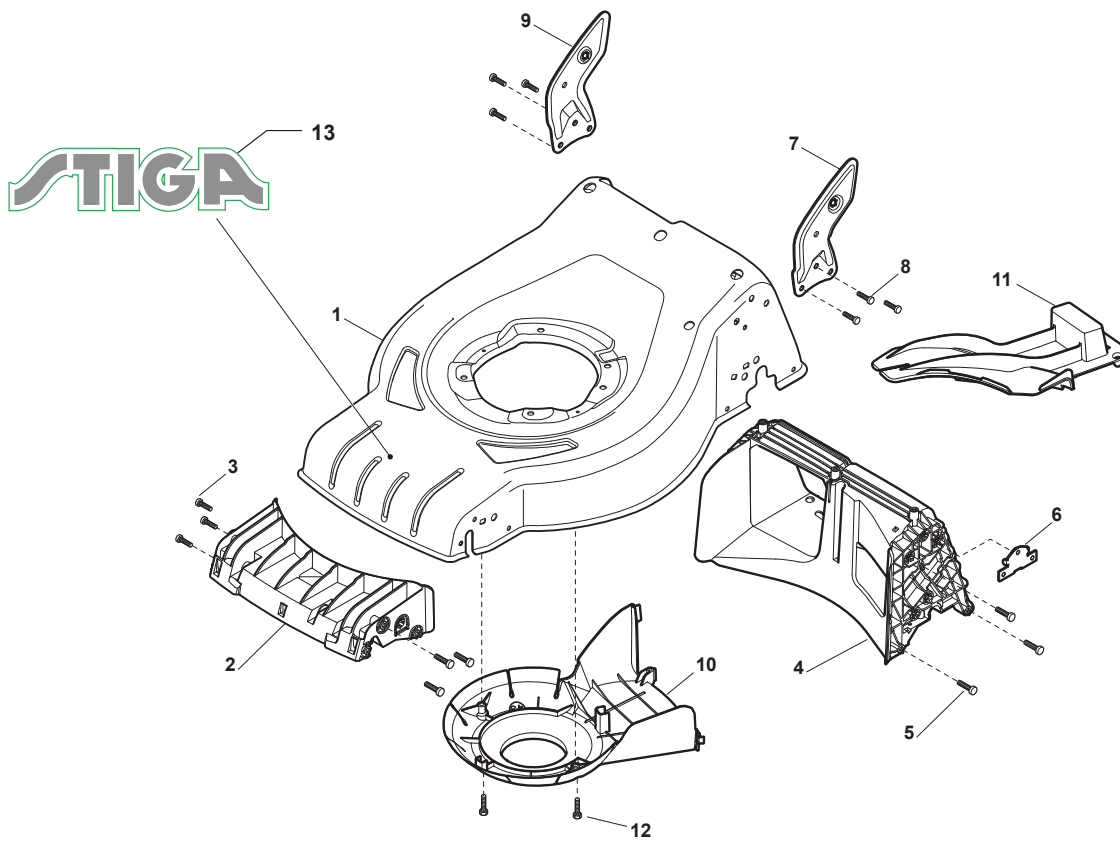
295486008/S16 - Season 2016

- Use GLOBAL GARDEN PRODUCT Genuine Spare Parts specified in the parts list for repair and/or replacement.
 - The contents described in the parts list may change due to improvement.
 - The drawings of the spare parts are only indicative and might not represent the part in question exactly.
 - The indications "right" - "left" - "front" - "rear" refer to the position of the operator when using the machine.
- When placing orders of parts for repair and/or replacement, make sure that the illustrated parts list is the one applying to the machine's year of manufacture, as shown on the identification plate attached to the machine.

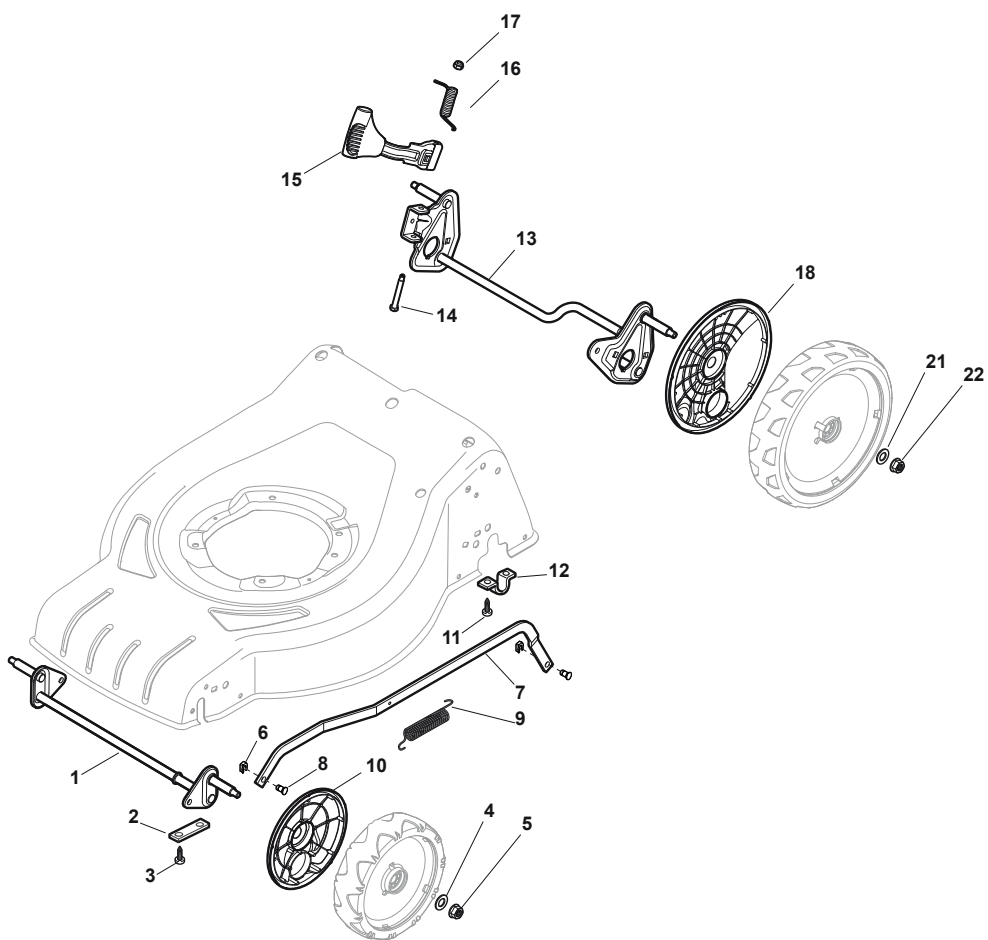
© Copyright 2016 Global Garden Products

All rights reserved. No part of this material may be reproduced or transmitted, in any form or by any means, electronic or mechanical, including photocopying, recording or by any information storage and retrieval system, without permission in writing from GLOBAL GARDEN PRODUCTS.

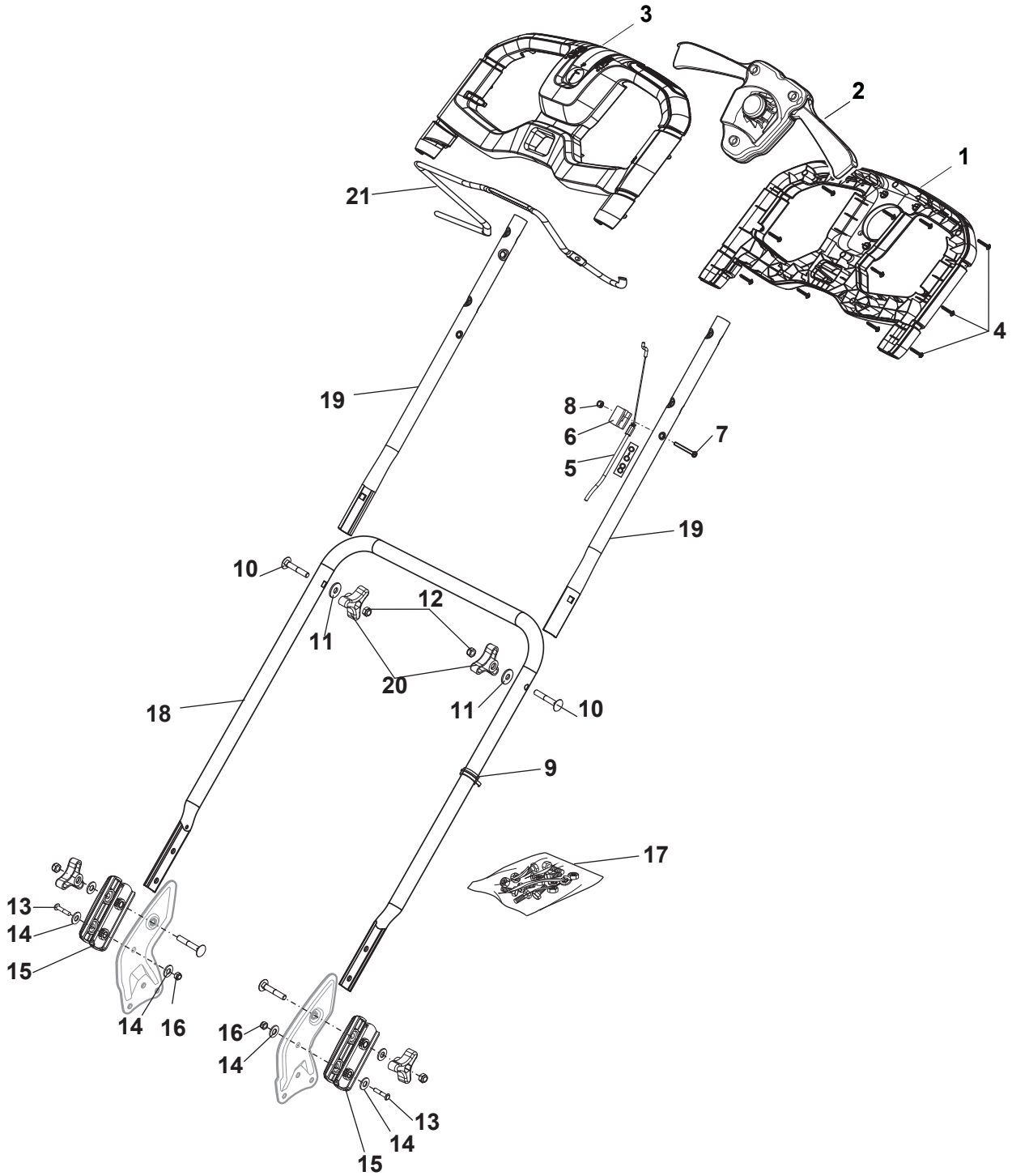
www.stiga.com



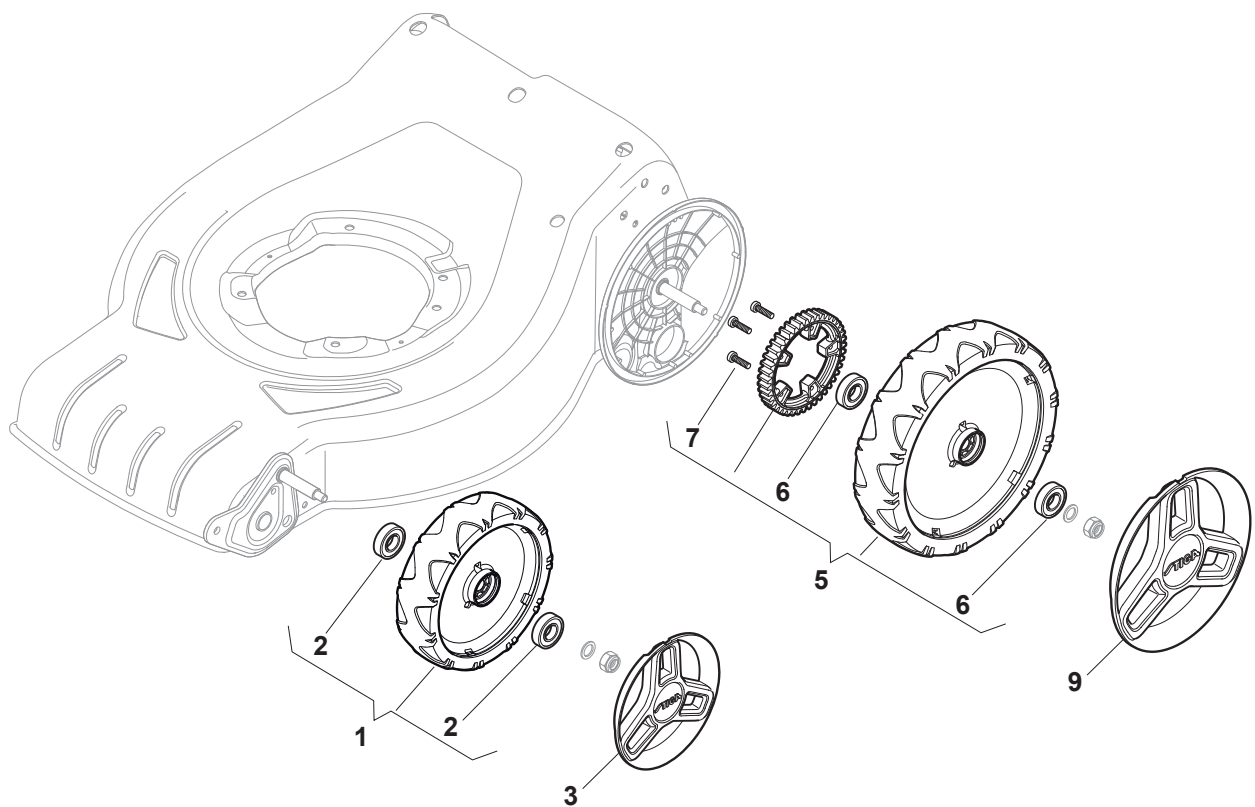
Utgåva Issue 3 - 2016		Kapa Deck			
Pos. Fig.	Antal Q.ty	Art nr Part No	Benämning	Description	Anmärkning Notes
1	1	381004729/0	Chassi-gra	Grey Deck	
2	1	322108301/1	Plastfront Transportör	Front Conveyor Assy	
3	6	112728699/0	Skruv	Screw	
4	1	322108302/0	Bakre skyddLuftledare	Rear Conveyor Assy	
5	6	112728699/0	Skruv	Screw	
6	2	322545213/0	Plat	Plate	
7	1	381005139/0	Fäste-vä	Left Bracket	
8	6	112727801/0	Skruv	Screw	
9	1	381005137/0	Fäste-hö	Right Bracket	
10	1	322060242/0	Remskydd	Belt Protection	
11	1	322140239/0	Mulcherinsats	Mulching Deflector	
12	2	112728530/0	Skruv	Screw	
13	1	114367494/2	Dekal STIGA logo	Label STIGA logo	



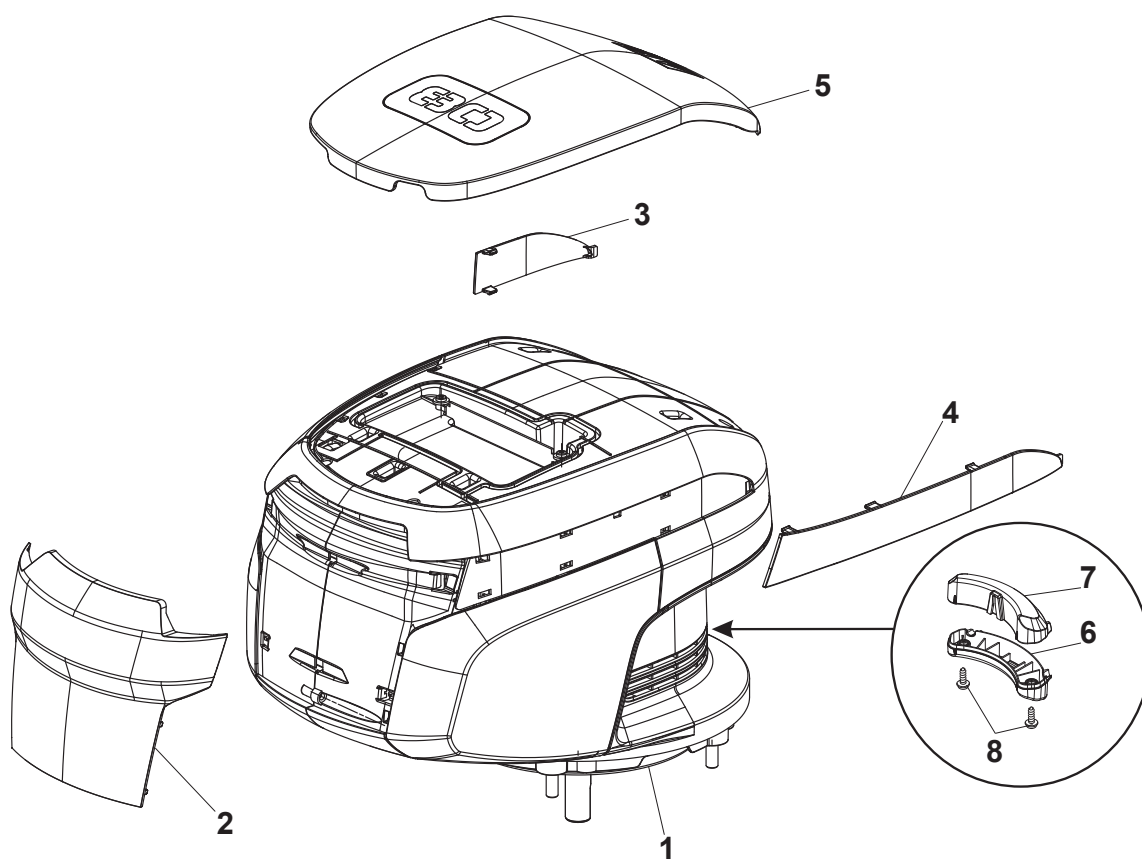
Utgåva Issue 3 - 2016		Höjdställning Height Adjusting			
Pos. Fig.	Antal Q.ty	Art nr Part No	Benämning	Description	Anmärkning Notes
1	1	381302821/0	Hjulaxel-fram	Front Wheel Axle	
2	2	322545142/0	Plat	Plate	
3	4	112728698/0	Skruv	Screw	
4	2	112521350/0	Bricka	Washer	
5	2	112155000/0	Mutter	Nut	
6	2	112436051/0	Plat	Plate	
7	1	322869673/0	Höjjusteringsstag	Rod, Height Adjustment	
8	2	122519820/0	Stift	Pin	
9	1	122446193/0	Fjäder	Spring	
10	2	322600247/0	Hjulskydd	Protection, Wheel	D. 180
11	4	112728698/0	Skruv	Screw	
12	2	322545152/0	Plat	Plate	
13	1	381302817/0	Hjulaxel-bakre	Rear Wheel Axle	
14	1	122534131/0	Stift	Pin	
15	1	381003357/0	Hjuls BakreAdj. Spak	Wheels Rear Adj. Lever	
16	1	122446192/0	Fjäder	Spring	
17	1	112154510/0	Mutter	Nut	
18	1	322600205/1	Hjulskydd	Protection, Wheel	
21	2	112521350/0	Bricka	Washer	
22	2	112155000/0	Mutter	Nut	



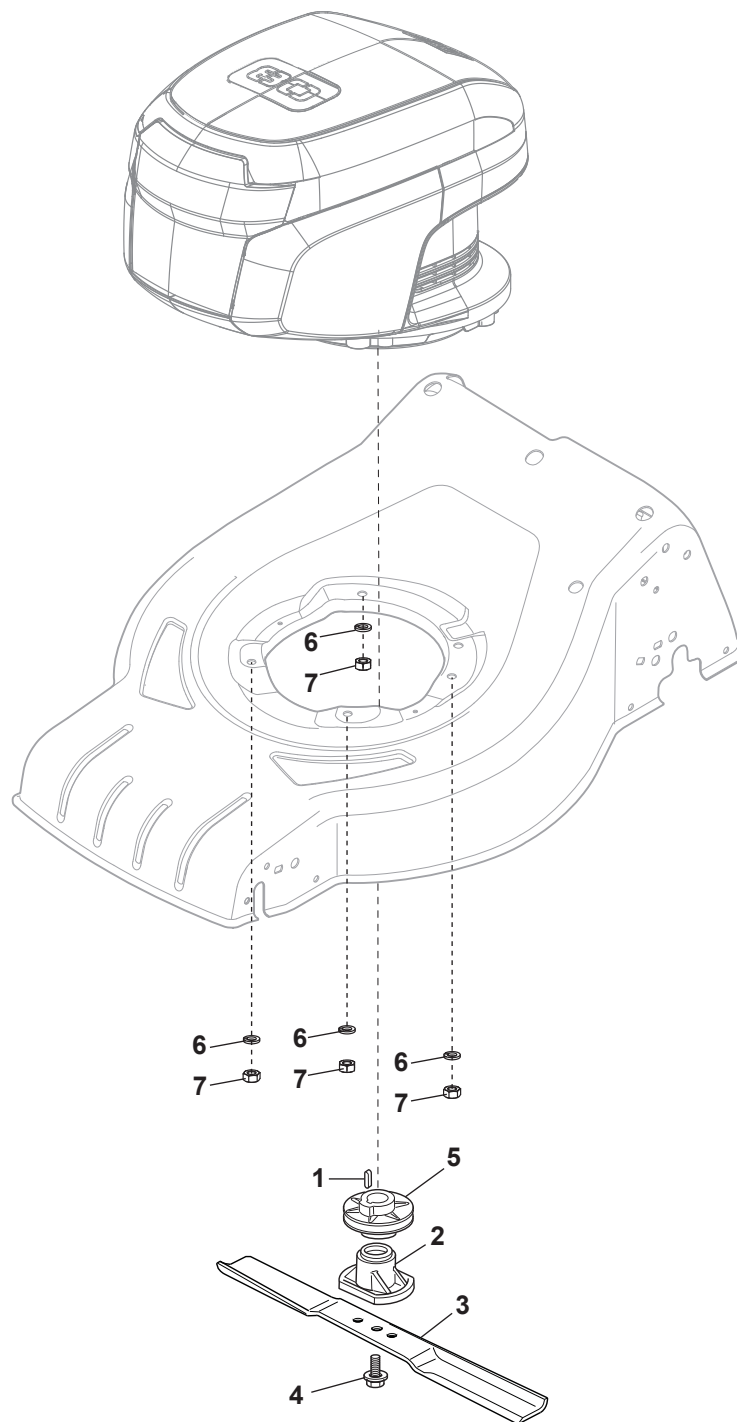
Utgåva Issue 3 - 2016		Reglage		Handle	
Pos. Fig.	Antal Q.ty	Art nr Part No	Benämning	Description	Anmärkning Notes
1	1	322291075/0	Handtagshalva, övre brytare	Upper Half Handgrip Switch	
2	1	381600557/0	Manöverdosa	Dead Hand Switch	
3	1	322291074/0	Handtagshalva, övre brytare	Upper Half Handgrip Switch	
4	11	112728711/0	Skruv	Screw	
5	1	381030085/0	Kopplingswire	Cable Rear Drive	
6	1	322551640/0	Plat	Plate	
7	1	112727783/0	Skruv	Screw	
8	1	112154510/0	Mutter	Nut	
9	2	122192000/1	Kabelhallare	Clamp	
10	2	112819121/0	Skruv	Screw	
11	4	122671651/0	Bricka	Washer	
12	2	112293200/0	Mutter	Nut	
13	2	112793701/0	Skruv	Screw	
14	2	112521350/0	Bricka	Washer	
15	4	322551582/0	Fäste	Inside Plaque Insulation	
16	2	112155000/0	Mutter	Nut	
17	1	381008698/0	Skruvsats	Outfit, Screws	Black
18	1	381007536/0	Handtag	Handle Lower Part	Yellow
19	2	381007576/0	Handtag, övre	Handle, Upper Part	Yellow
20	4	122399900/0	Knopp	Knob	Black
21	1	181003439/0	Spak Handtag	Drive Control Lever	



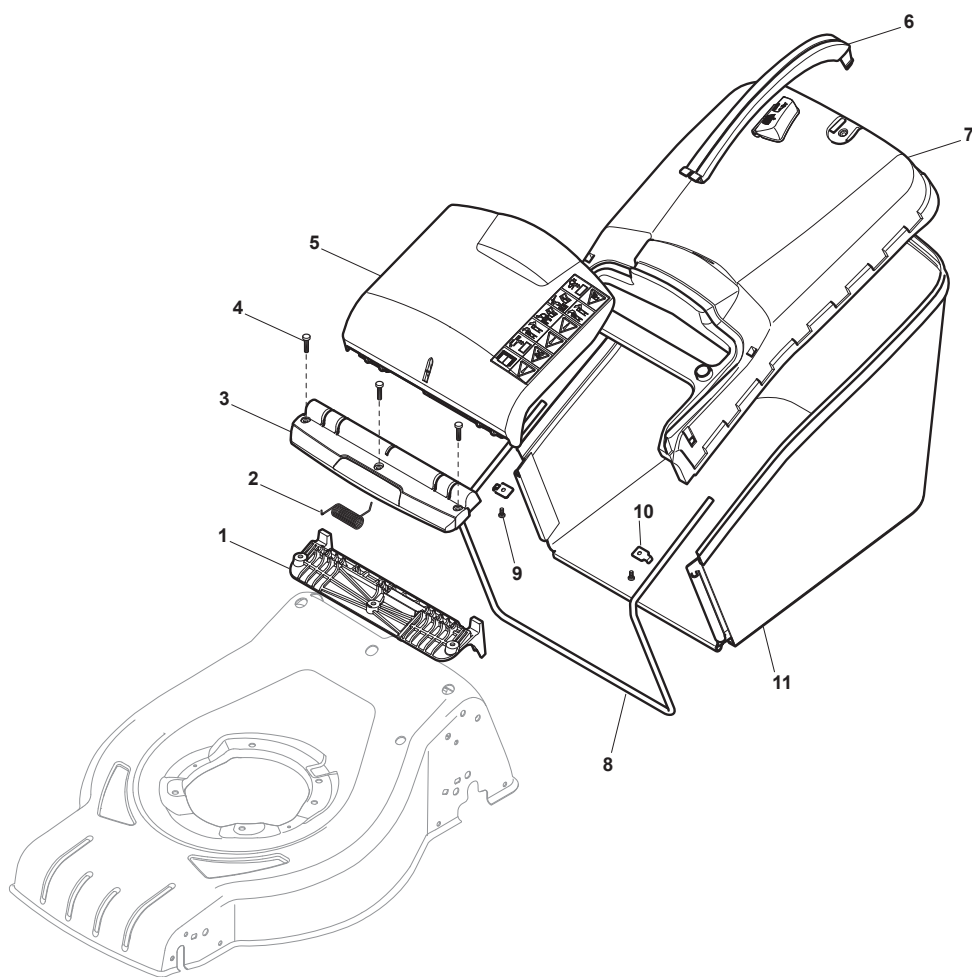
Utgåva Issue 3 - 2016		Hjul och navkapsel Wheels and Hub Caps			
Pos. Fig.	Antal Q.ty	Art nr Part No	Benämning	Description	Anmärkning Notes
1	2	381007445/1	Hjul	Wheel	
2	4	119216035/0	Lager	Bearing	
3	2	322110744/0	Navkapsel Gra	Hub Cap Grey	
5	2	381007466/1	Hjul	Wheel	
6	4	119216035/0	Lager	Bearing	
7	6	112728706/0	Skruv	Screw	
9	2	322110745/0	Navkapsel Gra	Hub Cap Grey	



Utgåva Issue 3 - 2016		Batteripack Battery			
Pos. Fig.	Antal Q.ty	Art nr Part No	Benämning	Description	Anmärkning Notes
1	1	381270001/0	Engine Battey Group PowerHead Stiga	Engine Battey Group PowerHead Stiga	
2	1	322109957/0	Fram Skal	Front Cover	
3	1	322109958/0	Kåpa	Right Side Cover	
4	1	322109959/0	Sidoskydd	Left Side Cover	
5	1	322109969/0A	Upper Cover	Upper Cover	
6	1	322722833/0	Spolskydd	Lower Guard	
7	1	322722834/0	Skydd-Övre	Upper Guard	
8	1	112728706/0	Skruv	Screw	



Utgåva Issue 3 - 2016		Kniv Blade			
Pos. Fig.	Antal Q.ty	Art nr Part No	Benämning	Description	Anmärkning Notes
1	1	112139440/0	Kil	Key	
2	1	322463189/0	Knivfäste Ø 17	Hub Ø 17	
3	1	181004460/0	Kniv	Blade	
4	1	112735698/0	Skruv	Screw	
5	1	322601911/2	Remskiva	Pulley	
6	4	112583500/0	Lasbricka	Grower	
7	4	112293200/0	Mutter	Nut	



Utgåva Issue 3 - 2016		Gräsuppsamlare Grass-Catcher			
Pos. Fig.	Antal Q.ty	Art nr Part No	Benämning	Description	Anmärkning Notes
1	1	322785331/0	Stenskydd Supp. Svart	Black Stone Guard Support	
2	1	122450464/0	Fjäder	Spring	
3	1	322109556/0	Stenskydd Supp.kapa gul	Stone Guard Supp. Cover Yellow	Yellow
4	3	112728699/0	Skruv	Screw	
5	1	322600214/1	Lucka-gul	Stone Guard, Yellow	Yellow
6	1	322393715/0	Handtag Bag Hybrid Gra	Handle, Grey	Grey NCSS-N
7	1	381486016/0A	Uppsamlare-överdel	Grass-Box, Upper Part Yellow	Yellow
8	1	122608561/0	Förstärkning	Lower Stiffening	
9	2	112728692/0	Skruv	Screw	
10	2	322545159/0	Plat	Plate	
11	1	181002318/0	Uppsamlingsäck	Box, Fabric	

code	pos.	q.ty	page				
112139440/0	1	1	p. 13	322600247/0	10	2	p. 5
112154510/0	8	1	p. 7	322601911/2	5	1	p. 13
112154510/0	17	1	p. 5	322722833/0	6	1	p. 11
112155000/0	5	2	p. 5	322722834/0	7	1	p. 11
112155000/0	16	2	p. 7	322785331/0	1	1	p. 15
112155000/0	22	2	p. 5	322869673/0	7	1	p. 5
112293200/0	7	4	p. 13	381003357/0	15	1	p. 5
112293200/0	12	2	p. 7	381004729/0	1	1	p. 3
112436051/0	6	2	p. 5	381005137/0	9	1	p. 3
112521350/0	4	2	p. 5	381005139/0	7	1	p. 3
112521350/0	14	2	p. 7	381007445/1	1	2	p. 9
112521350/0	21	2	p. 5	381007466/1	5	2	p. 9
112583500/0	6	4	p. 13	381007536/0	18	1	p. 7
112727783/0	7	1	p. 7	381007576/0	19	1	p. 7
112727801/0	8	6	p. 3	381008698/0	17	1	p. 7
112728530/0	12	2	p. 3	381030085/0	5	1	p. 7
112728692/0	9	2	p. 15	381270001/0	1	1	p. 11
112728698/0	3	4	p. 5	381302817/0	13	1	p. 5
112728698/0	11	4	p. 5	381302821/0	1	1	p. 5
112728699/0	3	6	p. 3	381486016/OA	7	1	p. 15
112728699/0	4	3	p. 15	381600557/0	2	1	p. 7
112728699/0	5	6	p. 3				
112728706/0	7	6	p. 9				
112728706/0	8	1	p. 11				
112728711/0	4	11	p. 7				
112735698/0	4	1	p. 13				
112793701/0	13	2	p. 7				
112819121/0	10	2	p. 7				
114367494/2	13	1	p. 3				
119216035/0	2	4	p. 9				
119216035/0	6	4	p. 9				
122192000/1	9	2	p. 7				
122399900/0	20	4	p. 7				
122446192/0	16	1	p. 5				
122446193/0	9	1	p. 5				
122450464/0	2	1	p. 15				
122519820/0	8	2	p. 5				
122534131/0	14	1	p. 5				
122608561/0	8	1	p. 15				
122671651/0	11	4	p. 7				
181002318/0	11	1	p. 15				
181003439/0	21	1	p. 7				
181004460/0	3	1	p. 13				
322060242/0	10	1	p. 3				
322108301/1	2	1	p. 3				
322108302/0	4	1	p. 3				
322109556/0	3	1	p. 15				
322109957/0	2	1	p. 11				
322109958/0	3	1	p. 11				
322109959/0	4	1	p. 11				
322109969/OA	5	1	p. 11				
322110744/0	3	2	p. 9				
322110745/0	9	2	p. 9				
322140239/0	11	1	p. 3				
322291074/0	3	1	p. 7				
322291075/0	1	1	p. 7				
322393715/0	6	1	p. 15				
322463189/0	2	1	p. 13				
322545142/0	2	2	p. 5				
322545152/0	12	2	p. 5				
322545159/0	10	2	p. 15				
322545213/0	6	2	p. 3				
322551582/0	15	4	p. 7				
322551640/0	6	1	p. 7				
322600205/1	18	1	p. 5				
322600214/1	5	1	p. 15				