



Reservdelskatalog Parts Catalogue

CRUISE CONTROL KIT Park Pro

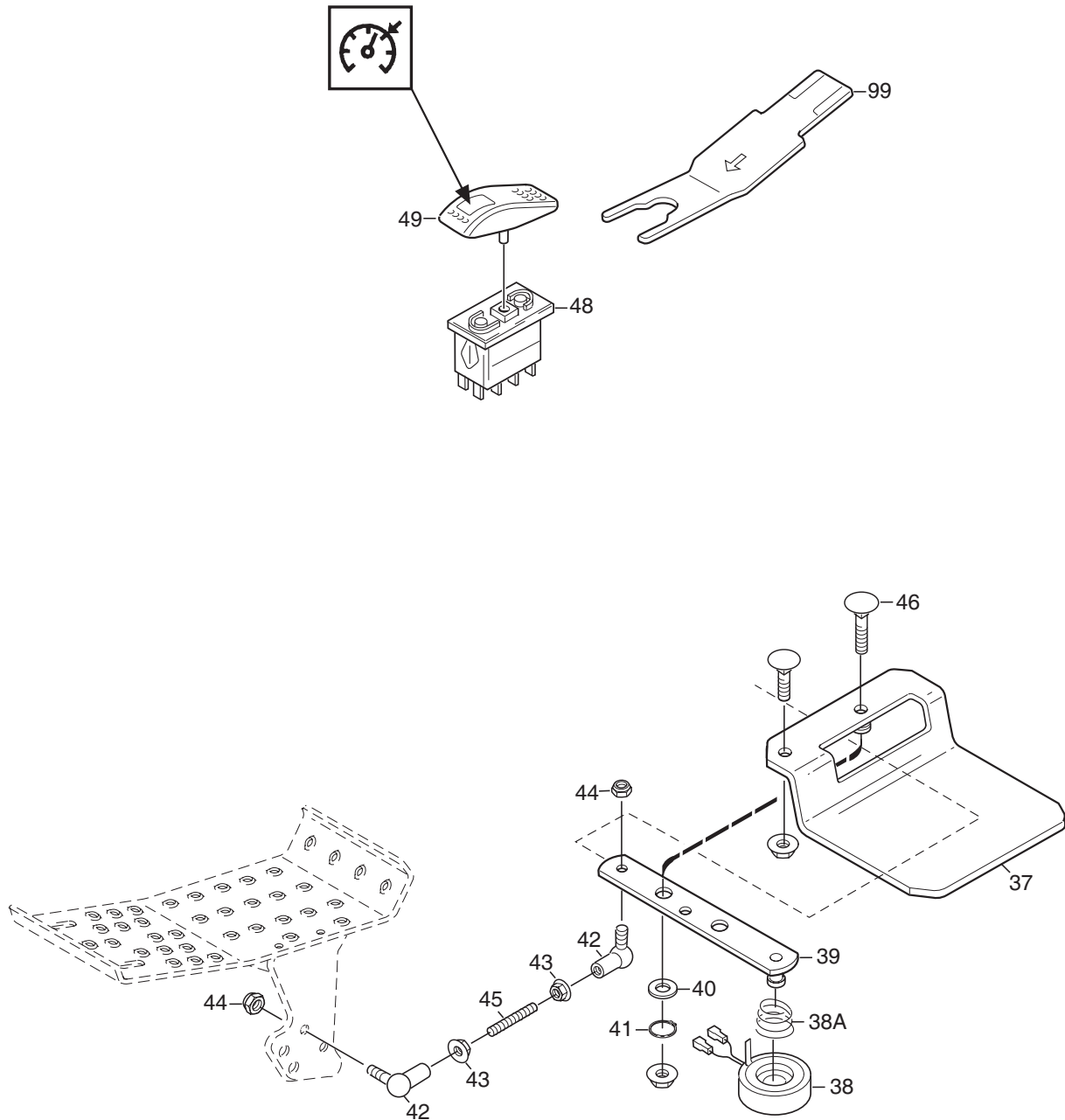
13-3907-11 - Season 2015

- Use GLOBAL GARDEN PRODUCT Genuine Spare Parts specified in the parts list for repair and/or replacement.
 - The contents described in the parts list may change due to improvement.
 - The drawings of the spare parts are only indicative and might not represent the part in question exactly.
 - The indications "right" - "left" - "front" - "rear" refer to the position of the operator when using the machine.
- When placing orders of parts for repair and/or replacement, make sure that the illustrated parts list is the one applying to the machine's year of manufacture, as shown on the identification plate attached to the machine.

© Copyright 2015 Global Garden Products

All rights reserved. No part of this material may be reproduced or transmitted, in any form or by any means, electronic or mechanical, including photocopying, recording or by any information storage and retrieval system, without permission in writing from GLOBAL GARDEN PRODUCTS.

www.stiga.com



Utgåva Issue 17 - 2015		Farthallare Cruise control			
Pos. Fig.	Antal Q.ty	Art nr Part No	Benämning	Description	Anmärkning Notes
37	1	1134-6356-01	Farthallarplat Kpl	Speed Control Plate Assy	
38	1	1134-2858-01	Fjäder	Spring	
38	1	1134-2859-02	Fjäder	Spring	
39	1	1134-6358-01	Spak	Lever	
40	1	9699-0036-02	Bricka	Washer	
41	1	9650-0012-04	Seegersakring	Circlip	
42	2	9570-0001-00	Vinkellänk As8 Din 71802M5	Elbow Link	
43	2	9739-0531-22	Mutter	Nut	
44	2	9747-0531-02	Mutter	Nut	
45	1	1134-6361-02	Skruv	Screw	
46	1	9897-0640-12	Skruv	Screw	
48	1	9400-0282-01	Brytare (Med Diod)	Switch	
49	1	9400-0280-02	Vippa Farthallare	Switch	
99	1	9400-0290-01	Verktyg F.Vippa	Tool	Tillbeh÷r/Accessory

code	pos.	q.ty	page
1134-2858-01	38	1	p. 3
1134-2859-02	38	1	p. 3
1134-6356-01	37	1	p. 3
1134-6358-01	39	1	p. 3
1134-6361-02	45	1	p. 3
9400-0280-02	49	1	p. 3
9400-0282-01	48	1	p. 3
9400-0290-01	99	1	p. 3
9570-0001-00	42	2	p. 3
9650-0012-04	41	1	p. 3
9699-0036-02	40	1	p. 3
9739-0531-22	43	2	p. 3
9747-0531-02	44	2	p. 3
9897-0640-12	46	1	p. 3