



Reservdelskatalog Parts Catalogue

EDGE CUTTER 2+4WD

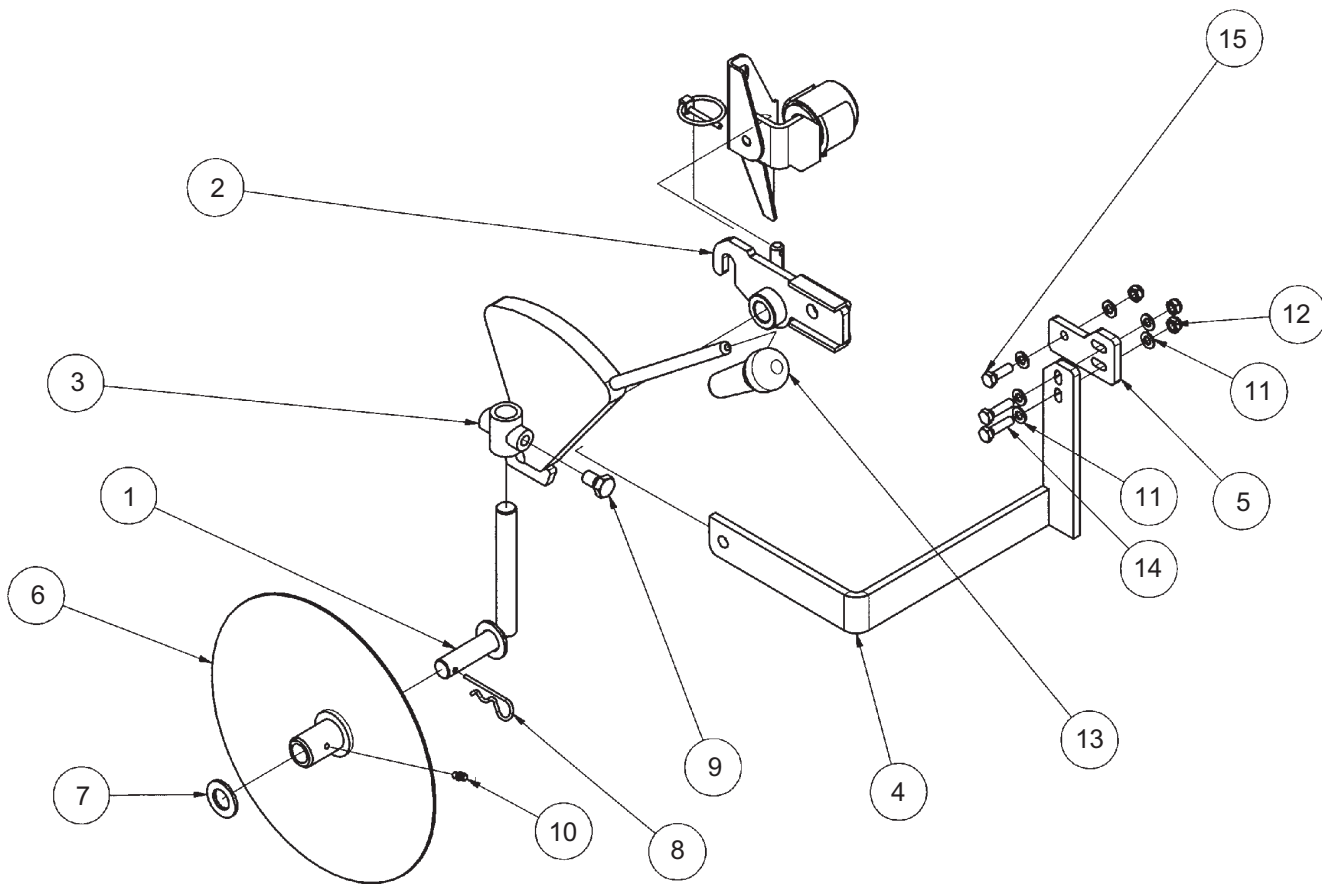
13-3911-61 - Season 2015

- Use GLOBAL GARDEN PRODUCT Genuine Spare Parts specified in the parts list for repair and/or replacement.
 - The contents described in the parts list may change due to improvement.
 - The drawings of the spare parts are only indicative and might not represent the part in question exactly.
 - The indications "right" - "left" - "front" - "rear" refer to the position of the operator when using the machine.
- When placing orders of parts for repair and/or replacement, make sure that the illustrated parts list is the one applying to the machine's year of manufacture, as shown on the identification plate attached to the machine.

© Copyright 2015 Global Garden Products

All rights reserved. No part of this material may be reproduced or transmitted, in any form or by any means, electronic or mechanical, including photocopying, recording or by any information storage and retrieval system, without permission in writing from GLOBAL GARDEN PRODUCTS.

www.stiga.com



Utgåva Issue 17 - 2015		Kanskärare Edge cutter			
Pos. Fig.	Antal Q.ty	Art nr Part No	Benämning	Description	Anmärkning Notes
1	1	1319-2285-01	Axel, Skärskiva	Shaft, Disc	
2	1	1319-2286-01	Fäste	Support	
3	1	1319-2287-01	Motvikt	Counter Weight	
4	1	1319-2288-01	Fäststag	Support	
5	1	1319-2289-01	Fästplatta	Support, Small	
6	1	1319-1604-01	Skärskiva	Cutting Disc	
7	1	9699-0042-02	Bricka	Washer	
8	1	9598-0003-02	Spring Pin	Spring Pin	
9	1	9997-1220-16	Skruv	Screw	
10	1	9501-0500-00	Smörjkopp Kort Rak	Grease Dispenser	
11	6	9699-0028-02	Bricka	Washer	
12	3	9747-0831-02	Mutter Lasmutter	Nut	
13	1	1134-3193-01	Handtag	Lever Handle	
14	2	9997-0830-16	Skruv	Screw	
15	1	9997-0825-16	Skruv	Screw	

code	pos.	q.ty	page
1134-3193-01	13	1	p. 3
1319-1604-01	6	1	p. 3
1319-2285-01	1	1	p. 3
1319-2286-01	2	1	p. 3
1319-2287-01	3	1	p. 3
1319-2288-01	4	1	p. 3
1319-2289-01	5	1	p. 3
9501-0500-00	10	1	p. 3
9598-0003-02	8	1	p. 3
9699-0028-02	11	6	p. 3
9699-0042-02	7	1	p. 3
9747-0831-02	12	3	p. 3
9997-0825-16	15	1	p. 3
9997-0830-16	14	2	p. 3
9997-1220-16	9	1	p. 3