



Reservdelskatalog Parts Catalogue

ESTATE 2084 H

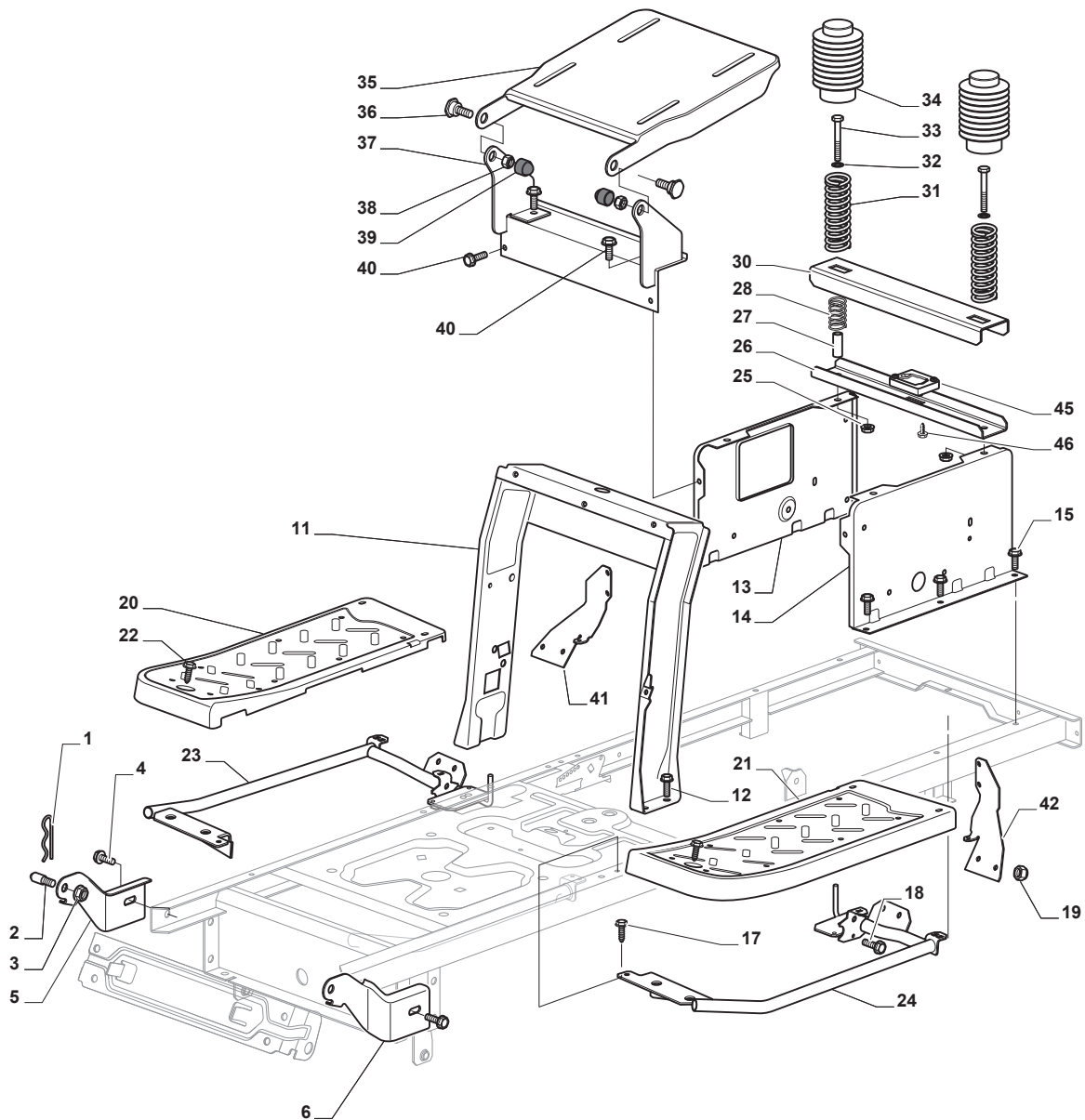
2T2120481/15 - Season 2016

- Use GLOBAL GARDEN PRODUCT Genuine Spare Parts specified in the parts list for repair and/or replacement.
 - The contents described in the parts list may change due to improvement.
 - The drawings of the spare parts are only indicative and might not represent the part in question exactly.
 - The indications "right" - "left" - "front" - "rear" refer to the position of the operator when using the machine.
- When placing orders of parts for repair and/or replacement, make sure that the illustrated parts list is the one applying to the machine's year of manufacture, as shown on the identification plate attached to the machine.

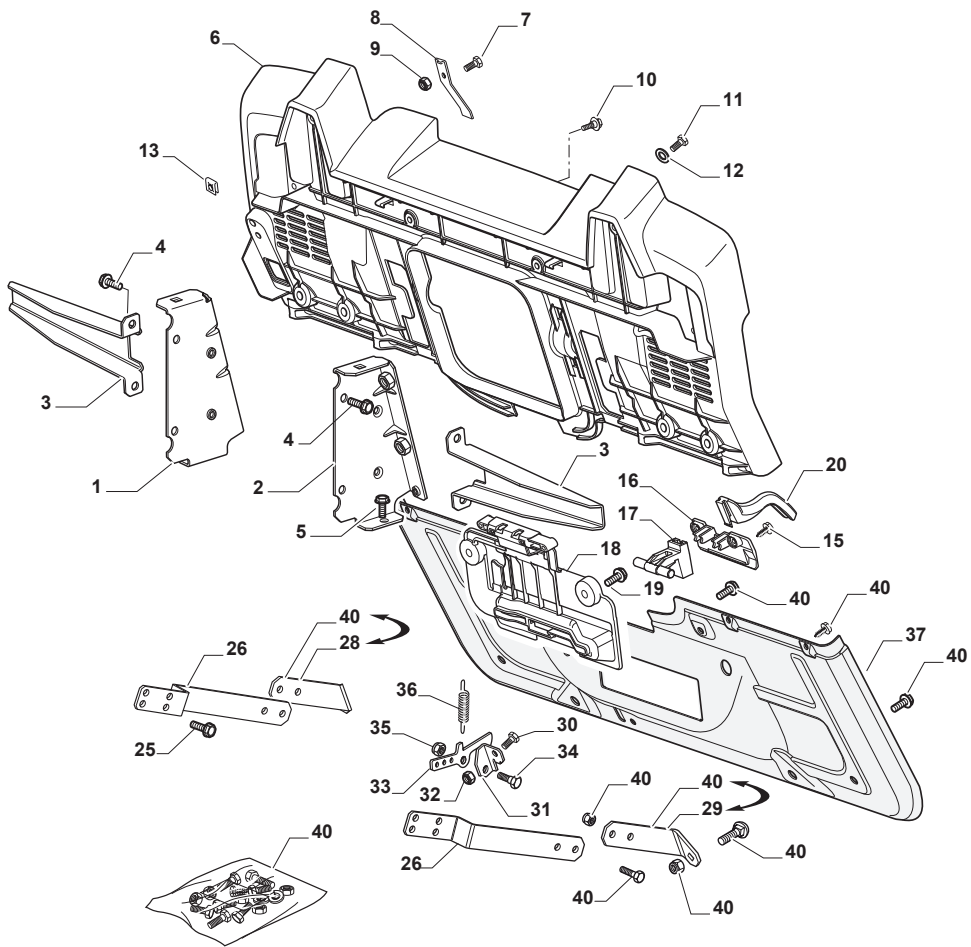
© Copyright 2016 Global Garden Products

All rights reserved. No part of this material may be reproduced or transmitted, in any form or by any means, electronic or mechanical, including photocopying, recording or by any information storage and retrieval system, without permission in writing from GLOBAL GARDEN PRODUCTS.

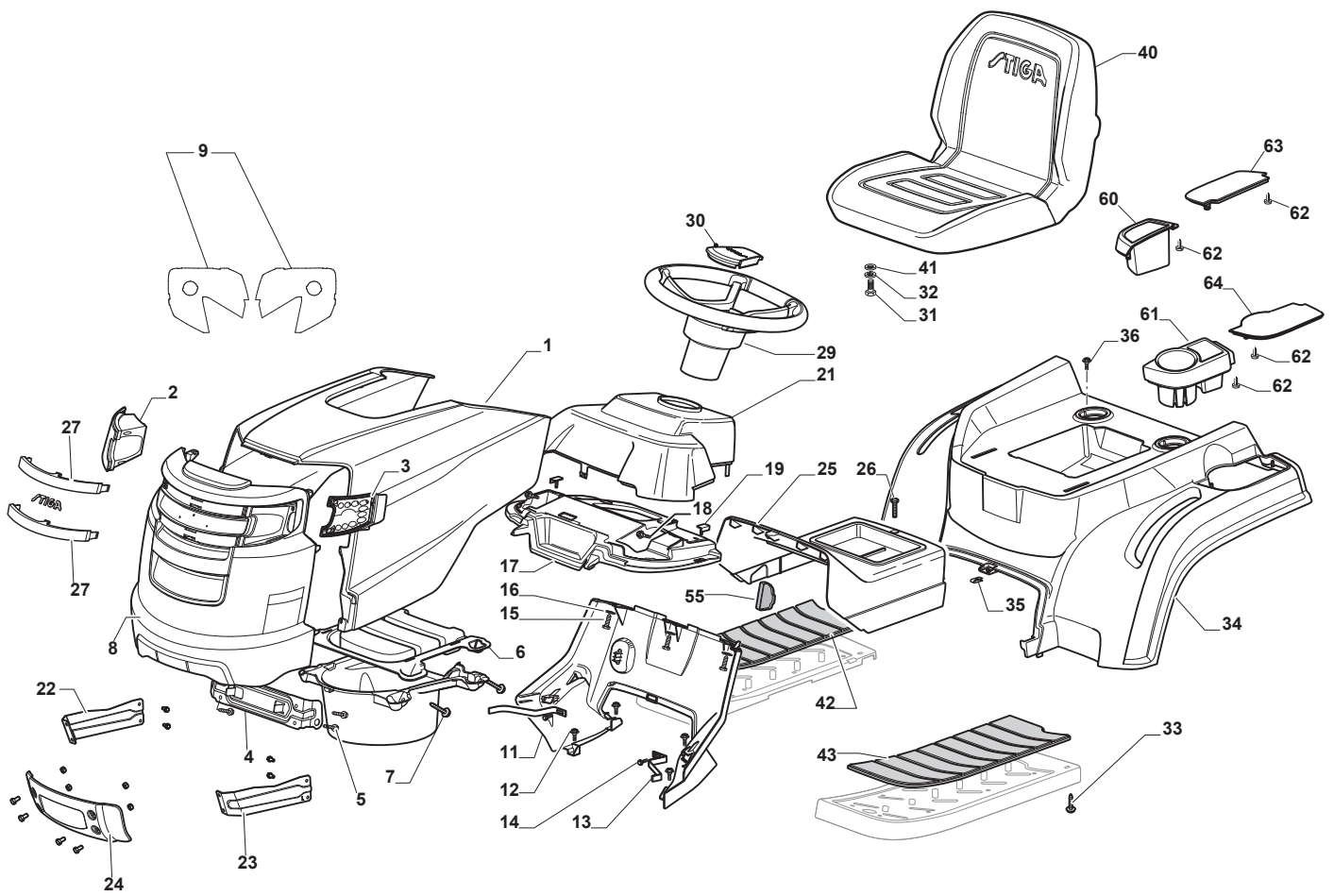
www.stiga.com



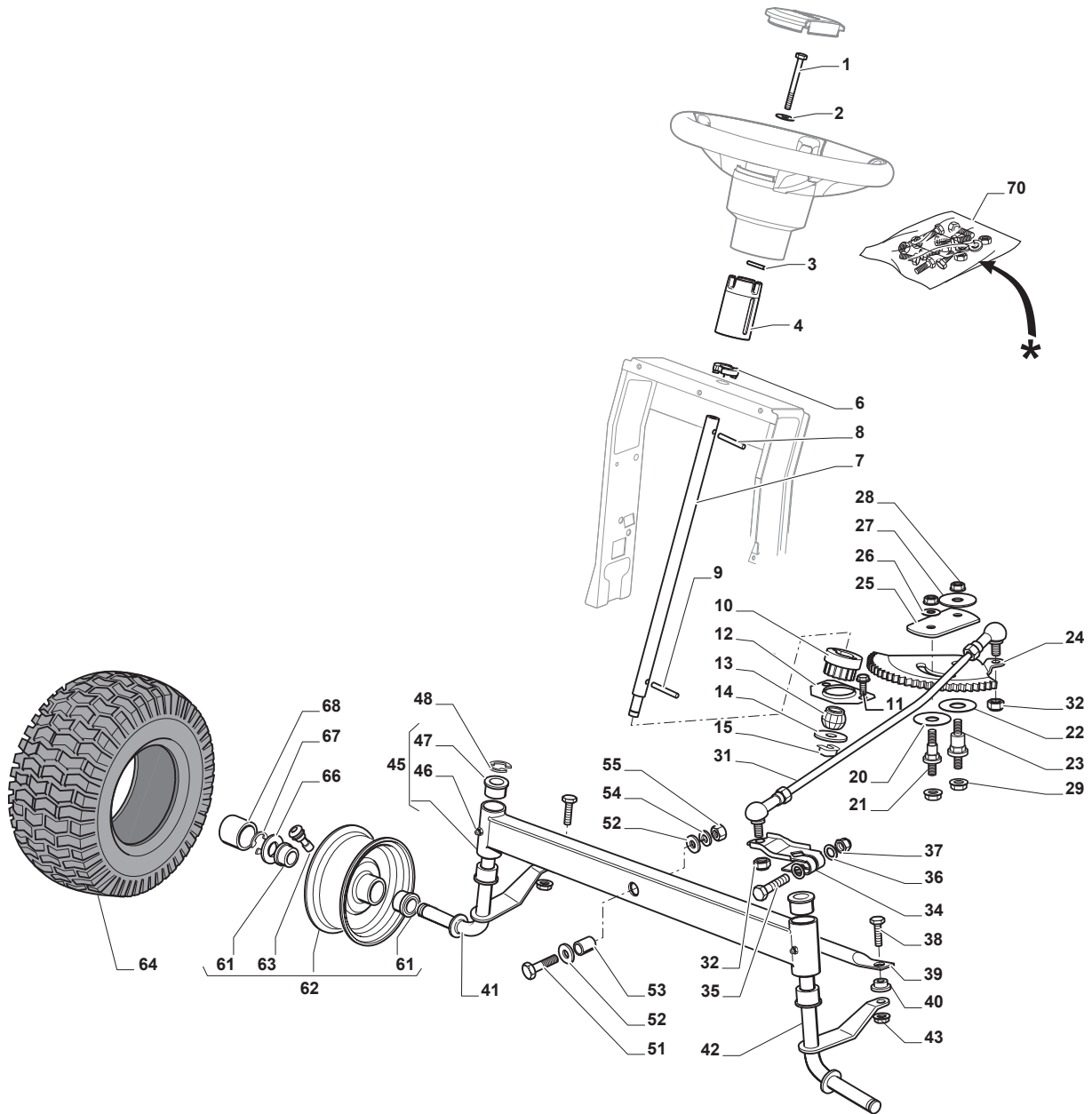
| Utgåva Issue 2 - 2016 | | Kaross Chassis | | | |
|-----------------------------|---------------|-------------------|---------------------|-------------------------|---------------------|
| Pos. Fig. | Antal Q.ty | Art nr Part No | Benämning | Description | Anmärkning Notes |
| 36 | 2 | 122524970/3 | Stift | Pin | |
| 1 | 1 | 124487998/0 | Fjäder Clip | Cotter Pin | |
| 2 | 2 | 125510079/0 | Stift | Pin | |
| 3 | 2 | 112154210/0 | Mutter | Nut | |
| 4 | 2 | 112735599/0 | Skruv | Screw | |
| 5 | 1 | 325547225/0 | Plat | Right Plate | |
| 6 | 1 | 325547227/0 | Plat | Left Plate | |
| 11 | 1 | 382785169/1 | Rättrörsfäste | Steering Column Support | |
| 12 | 4 | 125943009/0 | Skruv | Screw | |
| 13 | 1 | 325785331/1 | Fäste | Right Seat Support | |
| 14 | 1 | 325785333/1 | Vänster Sitsfäste | Left Seat Support | |
| 15 | 6 | 125943009/0 | Skruv | Screw | |
| 17 | 2 | 125943009/0 | Skruv | Screw | |
| 18 | 2 | 125943009/0 | Skruv | Screw | |
| 19 | 10 | 112155000/0 | Mutter | Nut | |
| 20 | 1 | 325500041/1 | Fotstöd Sd 98 + Moa | Right Footboard | |
| 21 | 1 | 325500043/1 | Fotstöd Sd 98 + Moa | Left Footboard | |
| 22 | 2 | 112735599/0 | Skruv | Screw | |
| 23 | 1 | 382785221/0 | Durk, vänster | Footboard Support | |
| 24 | 1 | 382785223/0 | Durk, höger | Footboard Support | |
| 25 | 2 | 112293201/0 | Mutter | Nut | |
| 26 | 1 | 325820109/1 | Bakre Sitsfäste | Seat Support | |
| 27 | 2 | 125160077/0 | Distans | Spacer | |
| 28 | 2 | 125430263/0 | Fjäder | Spring | |
| 30 | 1 | 325820111/0 | Fäste | Support | |
| 31 | 2 | 125430264/0 | Fjäder | Spring | |
| 32 | 2 | 112521350/0 | Bricka | Washer | |
| 33 | 2 | 112691400/0 | Skruv | Screw | |
| 34 | 2 | 325122002/0 | Huv | Hood | |
| 35 | 1 | 382547061/0 | Plat | Plate | |
| 37 | 1 | 382820151/0 | Sitsfäste | Seat Support | |
| 38 | 2 | 112155010/0 | Mutter | Nut | |
| 39 | 2 | 118203854/0 | Lock | Cap | |
| 40 | 12 | 125943009/0 | Skruv | Screw | |
| 41 | 1 | 325650155/0 | Fäste | Support | |
| 42 | 1 | 325650157/0 | Fäste | Support | |
| 45 | 1 | 325785379/0 | Fäste | Support | |
| 46 | 2 | 112728686/0 | Skruv | Screw | |



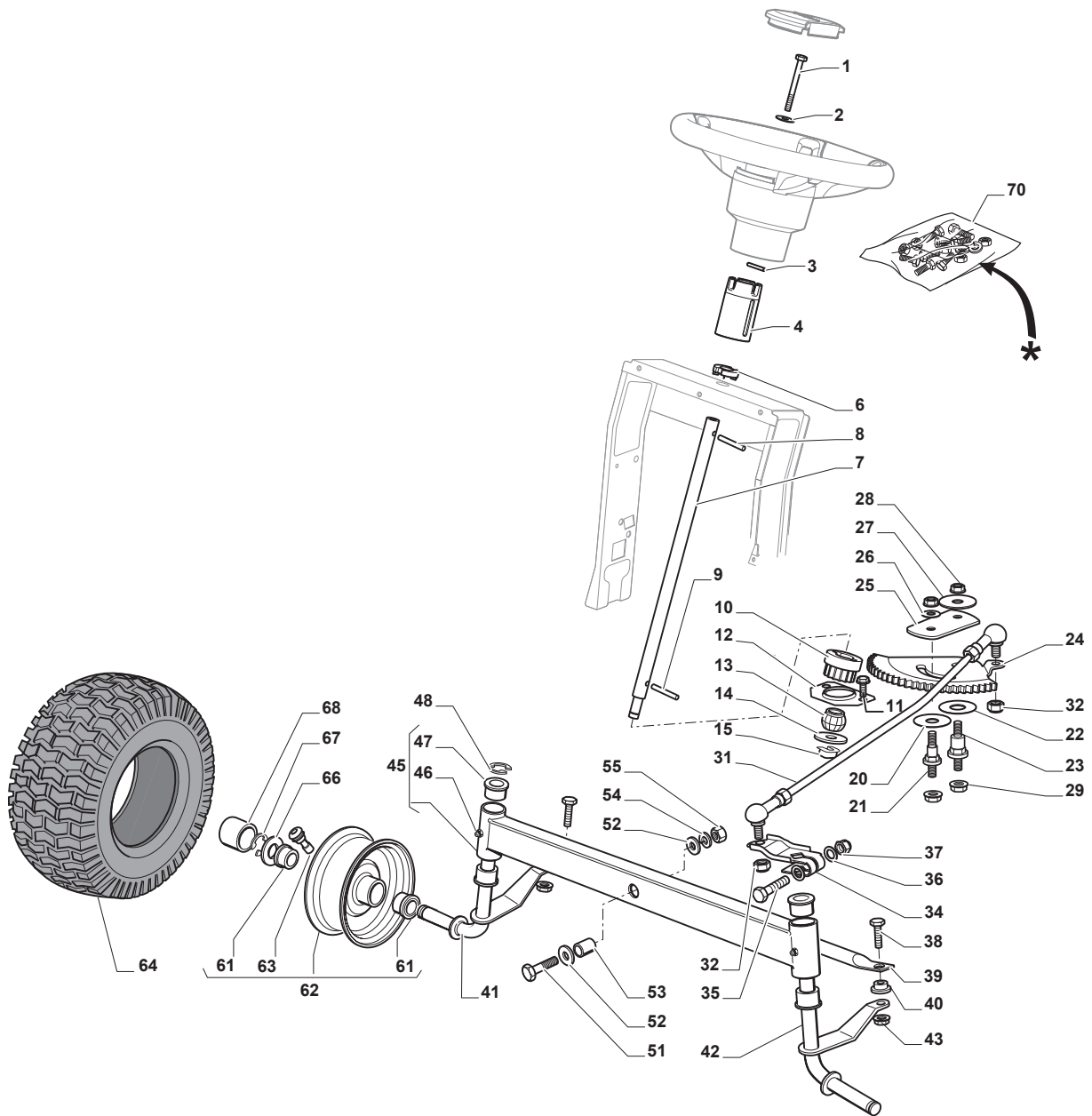
| Utgåva Issue 2 - 2016 | | Kaross Chassis | | | |
|-----------------------------|---------------|-------------------|---------------|------------------------|---------------------|
| Pos. Fig. | Antal Q.ty | Art nr Part No | Benämning | Description | Anmärkning Notes |
| 1 | 1 | 325774501/0 | Fäste | Clamp | |
| 2 | 1 | 325774507/0 | Fäste | Clamp | |
| 3 | 2 | 325650163/0 | Förstärkning | Stiffening | |
| 4 | 8 | 125943009/0 | Skruv | Screw | |
| 5 | 2 | 125943009/0 | Skruv | Screw | |
| 6 | 1 | 325547299/0 | Platta | Rear Plate, Upper Part | |
| 7 | 1 | 112789008/0 | Skruv | Screw | |
| 8 | 1 | 127430600/0 | Fjäder | Spring | |
| 9 | 1 | 112154330/0 | Mutter | Nut | |
| 10 | 4 | 125943010/0 | Skruv | Screw | |
| 11 | 6 | 112789008/0 | Skruv | Screw | |
| 12 | 6 | 112521320/0 | Bricka | Washer | |
| 13 | 6 | 112437503/0 | Plat | Plate | |
| 15 | 2 | 112728686/0 | Skruv | Screw | |
| 16 | 1 | 325109522/0 | Skyddskapa | Protection Cover | |
| 17 | 1 | 325318276/0 | Spak | Gearshift | |
| 18 | 1 | 325785428/0 | Fäste | Support | |
| 19 | 2 | 125943010/0 | Skruv | Screw | |
| 20 | 1 | 325318277/0 | Spak | Lever | |
| 25 | 4 | 125943009/0 | Skruv | Screw | |
| 26 | 2 | 325774521/0 | Fäste | Clamp | |
| 28 | 1 | 325650151/0 | Förstärkning | Stiffening | |
| 29 | 1 | 325650153/0 | Förstärkning | Stiffening | |
| 30 | 1 | 112789008/0 | Skruv | Screw | |
| 31 | 1 | 325755061/0 | Fäste | Bracket | |
| 32 | 1 | 112154330/0 | Mutter | Nut | |
| 33 | 1 | 325774533/0 | Fäste | Clamp | |
| 34 | 1 | 125510080/1 | Stift | Pin | |
| 35 | 1 | 112154510/0 | Mutter | Nut | |
| 36 | 1 | 125430282/0 | Fjäder | Spring | |
| 37 | 1 | 382547071/0 | Platta, bakre | Rear Plate, Lower Part | |
| 40 | 1 | 382180121/0 | Skruv | Screw | |



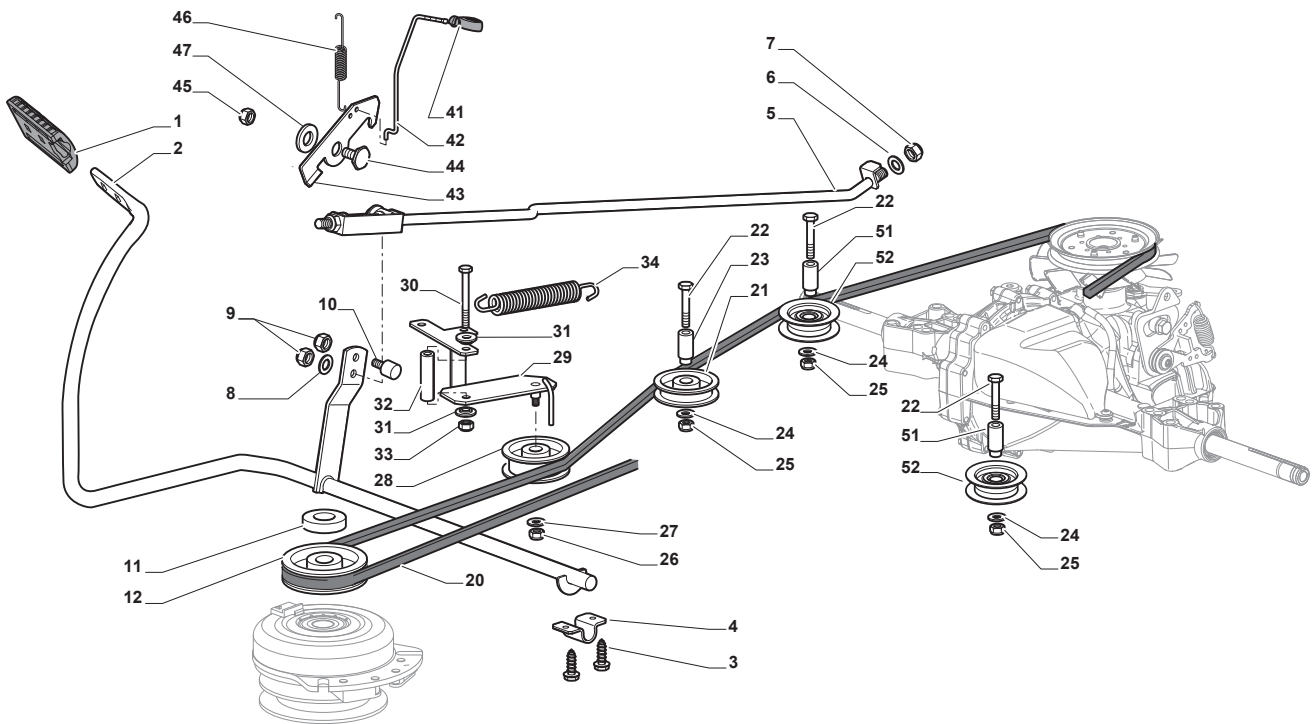
| Utgåva Issue 2 - 2016 | | Kaross | | Body | |
|-----------------------------|---------------|-------------------|-----------------------|-----------------------|---------------------|
| Pos. Fig. | Antal Q.ty | Art nr Part No | Benämning | Description | Anmärkning Notes |
| 17 | 1 | 325120259/1 | Panel | Dashboard | |
| 1 | 1 | 325076912/0 | Motorhuv Gul | Engine Hood Yellow | |
| 2 | 1 | 382185502/0 | Right Led Light | Right Led Light | |
| 3 | 1 | 382185503/0 | Left Led Light | Left Led Light | |
| 4 | 1 | 325785365/0 | Huvfäste Sds-Sdx | Engine Hood Support | |
| 5 | 4 | 112735403/0 | Skruv | Screw | |
| 6 | 1 | 325108044/1 | Luftledare | Conveyor | |
| 7 | 4 | 112728692/0 | Skruv | Screw | |
| 8 | 1 | 325076954/0 | Frontal Hood | Frontal Hood | |
| 9 | 1 | 114363452/0 | Dekal | Label | |
| 11 | 1 | 325785298/0 | Panelfäste | Dashboard Support | |
| 12 | 4 | 125943010/0 | Skruv | Screw | |
| 13 | 2 | 325270325/0 | Ledplat | Guide | |
| 14 | 2 | 112735599/0 | Skruv | Screw | |
| 15 | 3 | 112735406/0 | Skruv | Screw | |
| 16 | 3 | 112523040/0 | Bricka | Washer | |
| 18 | 2 | 125943010/0 | Skruv | Screw | |
| 19 | 2 | 325260003/0 | Plugg | Grommet | |
| 21 | 1 | 325120203/0 | Kapa | Cover | |
| 22 | 1 | 382785255/0 | Right Support | Right Support | |
| 23 | 1 | 382785257/0 | Left Support | Left Support | |
| 24 | 1 | 382263501/0 | Stötfångare | Bumper | |
| 25 | 1 | 325110463/0 | Grey Central Cover | Grey Central Cover | |
| 26 | 1 | 125943010/0 | Skruv | Screw | |
| 27 | 2 | 325076955/0 | Frontal Moulding | Frontal Moulding | |
| 29 | 1 | 325961221/1 | Ratt | Steering wheel | |
| 30 | 1 | 325580508/0 | Styrkonsolkapa, Svart | Steering Plate Cover | |
| 31 | 4 | 112792611/0 | Skruv | Screw | |
| 32 | 4 | 112540260/0 | Lasbricka 8.4X15X0.8 | Grower | |
| 33 | 4 | 112735406/0 | Skruv | Screw | |
| 34 | 1 | 325110438/0 | Hjulkapa-gul | Yellow Wheels Cover | |
| 35 | 1 | 112437506/0 | Plat | Plate | |
| 36 | 2 | 125943010/0 | Skruv | Screw | |
| 40 | 1 | 125722477/0 | Seat | Seat | |
| 41 | 4 | 112523060/0 | Bricka | Washer | |
| 42 | 1 | 325110384/0 | Fotstegsskydd-hö | Right Footboard Cover | |
| 43 | 1 | 325110385/0 | Fotstegsskydd-vä | Left Footboard Cover | |
| 55 | 1 | 325207191/0 | Plat | Plate | |
| 60 | 1 | 325207198/0 | Kapa | Cover | |
| 61 | 1 | 325207199/0 | Kapa | Cover | |
| 62 | 4 | 112735105/0 | Skruv | Screw | |
| 63 | 1 | 325207196/0 | Kapa | Cover | |
| 64 | 1 | 325207197/0 | Kapa | Cover | |



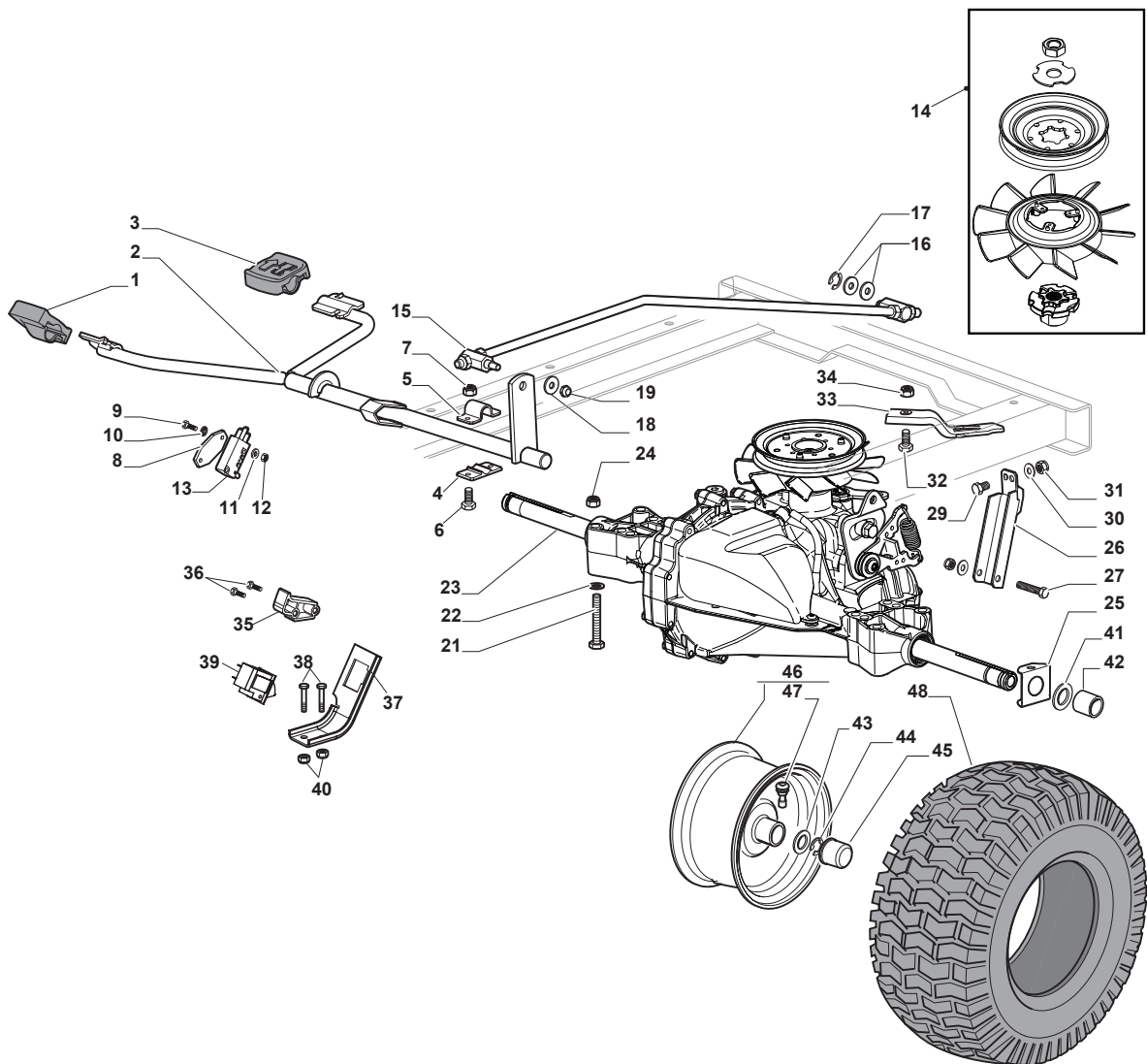
| Utgåva Issue 2 - 2016 | | Steering | | | |
|-----------------------------|---------------|-------------------|----------------------|------------------------------------|---------------------|
| Pos. Fig. | Antal Q.ty | Art nr Part No | Benämning | Description | Anmärkning Notes |
| 1 | 1 | 112692050/0 | Skruv | Screw | |
| 2 | 1 | 112540260/0 | Lasbricka 8.4X15X0.8 | Grower | |
| 3 | 1 | 112523070/0 | Bricka | Washer | |
| 4 | 1 | 382785266/0 | Fäste | Support | |
| 6 | 1 | 325038008/0 | Bussning | Bushing | |
| 7 | 1 | 125520007/0 | Rattstang | Steering Column | |
| 8 | 1 | 112620300/0 | Fjäder | Spring | |
| 9 | 1 | 112622650/0 | Stift | Dowel pin | |
| 10 | 1 | 125570003/0 | Drev | Pinion | |
| 11 | 2 | 127943051/0 | Skruv | Screw | |
| 12 | 1 | 325785213/1 | Fäste | Support | |
| 13 | 1 | 325743000/0 | Länk | Joint | |
| 14 | 1 | 112521370/0 | Bricka | Washer | |
| 15 | 1 | 112436030/0 | Plat | Plate | |
| 20 | 1 | 322672151/0 | Bricka | Antifriction Washer | |
| 21 | 1 | 125510104/0 | Stift | Pin | |
| 22 | 1 | 125670023/0 | Bricka | Washer | |
| 23 | 1 | 125510109/0 | Stift | Pin | |
| 24 | 1 | 325735519/0 | Segment | Steering Sector | |
| 25 | 1 | 325547233/0 | Plat | Plate | |
| 26 | 1 | 112369500/0 | Bricka | Elastic Washer | |
| 27 | 1 | 122160400/0 | Fjäderbricka | Elastic Disc | |
| 28 | 2 | 112155010/0 | Mutter | Nut | |
| 29 | 2 | 112155010/0 | Mutter | Nut | |
| 31 | 1 | 382000566/2 | Rattstang | Steering Rod | |
| 32 | 2 | 112156602/0 | Mutter | Nut | |
| 34 | 1 | 325318243/0 | Spak | Lever | |
| 35 | 1 | 112692390/0 | Skruv | Screw | |
| 36 | 2 | 112521360/0 | Bricka | Washer | |
| 37 | 1 | 112156602/0 | Mutter | Nut | |
| 38 | 2 | 125510103/0 | Stift | Pin | |
| 39 | 1 | 325840029/0 | Parallellstag | Tie Rod | |
| 40 | 2 | 325038007/0 | Bussning | Bushing | |
| 41 | 1 | 382230373/0 | Spindel Höger | Right Stub Axle | |
| 42 | 1 | 382230375/0 | Spindel-vä | Left Stub Axle | |
| 43 | 2 | 112155000/0 | Mutter | Nut | |
| 45 | 1 | 382034030/0 | Framaxel | Equalizer With Bush And Lubricator | |
| 46 | 2 | 112379511/0 | Smörjnippel | Grease Dispenser | |
| 47 | 4 | 125034002/1 | Bussning | Bushing | |
| 48 | 1 | 112001010/0 | Lasring | Benzing Ring | |
| 51 | 1 | 112692695/0 | Skruv | Screw | |
| 52 | 2 | 112523100/0 | Bricka | Washer | |
| 53 | 1 | 125160016/0 | Distans | Spacer | |
| 54 | 1 | 112587100/0 | Fj.Bricka 13X21X2.5 | Grower | |
| 55 | 1 | 112295300/0 | Mutter | Nut | |
| 61 | 4 | 125122200/2 | Kullager | Bearing | |
| 62 | 2 | 182000598/0 | Fälg kpl | Rimm | |
| 63 | 2 | 125950000/0 | Ventil | Valve | |
| 64 | 2 | 125590020/0 | Däck | Tyre | |



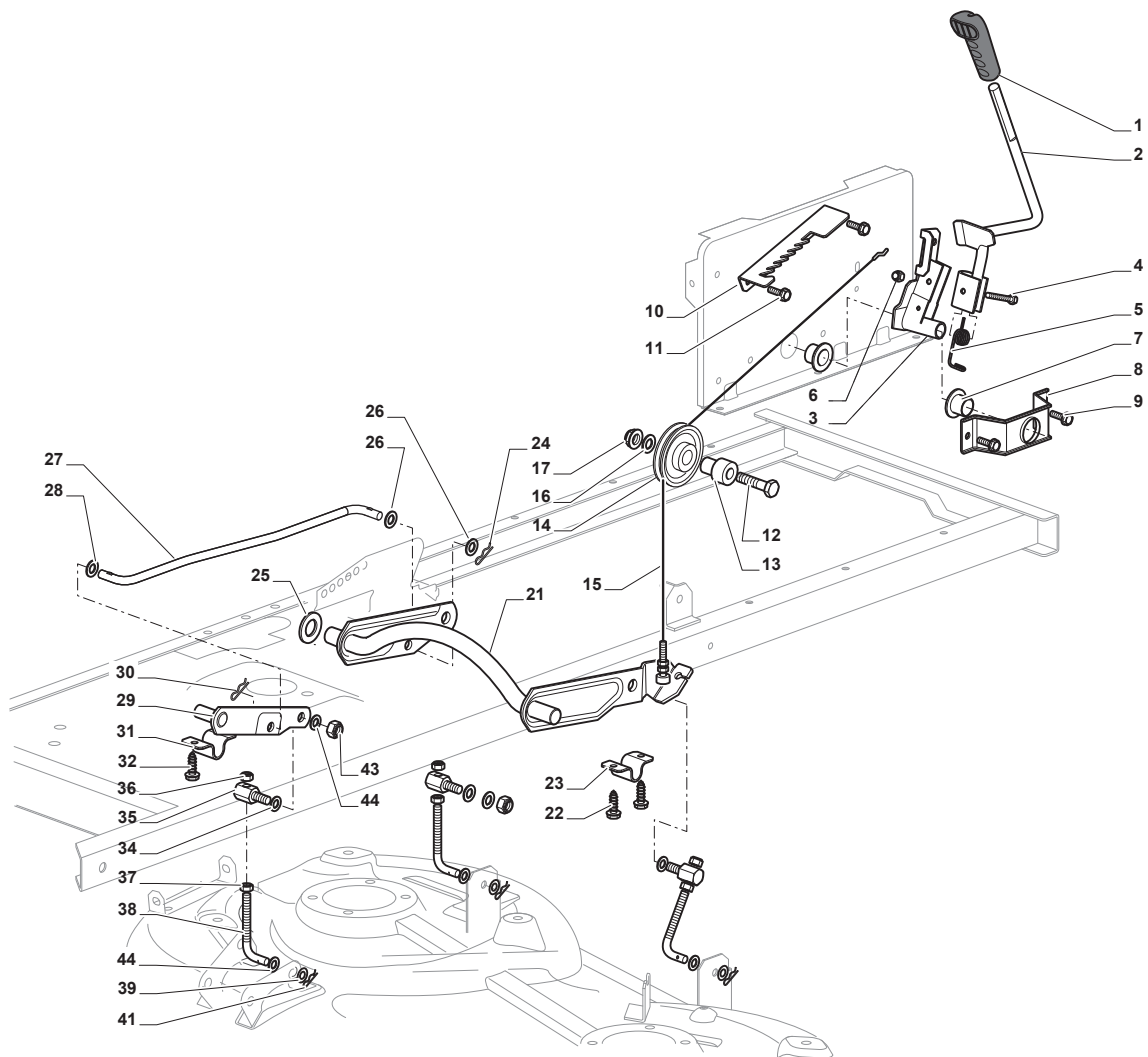
| Utgåva Issue 2 - 2016 | | Steering | | | |
|-----------------------------|---------------|-------------------|-----------|----------------|---------------------|
| Pos. Fig. | Antal Q.ty | Art nr Part No | Benämning | Description | Anmärkning Notes |
| 64 | 2 | 127590066/0 | Däck | Tyre | |
| 66 | 2 | 125670005/1 | Bricka | Washer | |
| 67 | 2 | 112001010/0 | Lasring | Benzing Ring | |
| 70 | 1 | 382180124/0 | Skruvsats | Outfit, Screws | |
| 68 | 2 | 322110239/0 | Navkapsel | Hub Cover | |



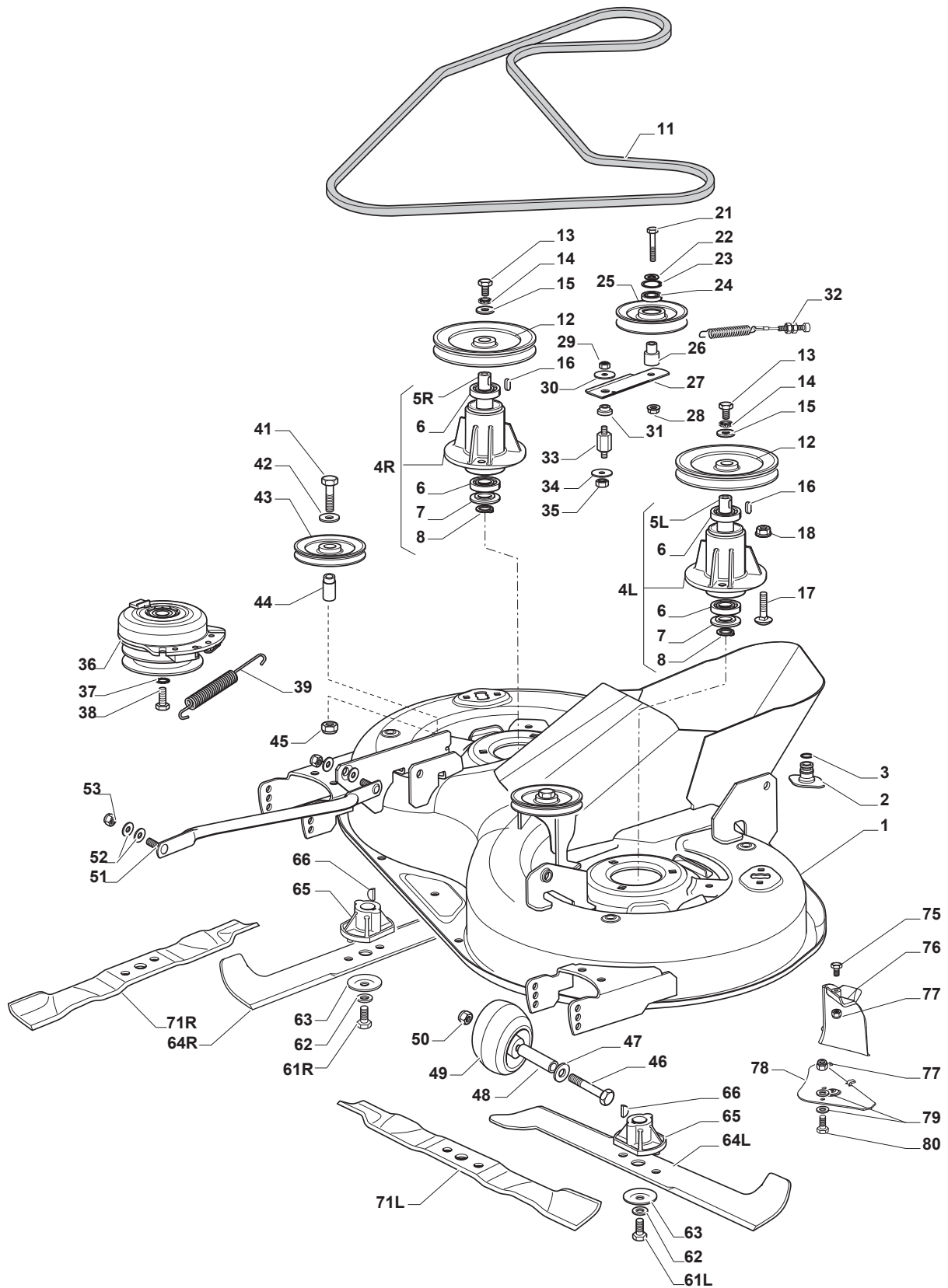
| Utgåva Issue 2 - 2016 | | Broms och växelreglage | | Brake And Gearbox Controls | |
|-----------------------------|---------------|------------------------|-----------|----------------------------|---------------------|
| Pos. Fig. | Antal Q.ty | Art nr Part No | Benämning | Description | Anmärkning Notes |
| 44 | 1 | 122524970/3 | Stift | Pin | |
| 20 | 1 | 135062020/1 | Drivrem | Trapezoidal Belt | |
| 1 | 1 | 325110409/0 | Fäste | Clamp Cover | |
| 2 | 1 | 382000641/0 | Pedalaxel | Pedal | |
| 3 | 4 | 112735599/0 | Skruv | Screw | |
| 4 | 2 | 325547231/0 | Plat | Plate | |
| 5 | 1 | 382000636/0 | Bromsstag | Rod | |
| 6 | 1 | 112521360/0 | Bricka | Washer | |
| 7 | 1 | 112156602/0 | Mutter | Nut | |
| 8 | 1 | 325670011/0 | Bricka | Antifriction Washer | |
| 9 | 2 | 112155000/0 | Mutter | Nut | |
| 10 | 1 | 125510116/0 | Stift | Pin | |
| 11 | 1 | 125160021/0 | Distans | Spacer | |
| 12 | 1 | 125601577/0 | Remskiva | Pulley | |
| 21 | 1 | 325601599/0 | Remskiva | Pulley | |
| 22 | 3 | 112691400/0 | Skruv | Screw | |
| 23 | 1 | 125160083/0 | Distans | Spacer | |
| 24 | 3 | 112523060/0 | Bricka | Washer | |
| 25 | 3 | 112155000/0 | Mutter | Nut | |
| 26 | 1 | 112155000/0 | Mutter | Nut | |
| 27 | 1 | 112523060/0 | Bricka | Washer | |
| 28 | 1 | 125601554/0 | Remskiva | Pulley | |
| 29 | 1 | 382318245/0 | Spak | Lever | |
| 30 | 1 | 112691600/0 | Skruv | Screw | |
| 31 | 2 | 125038002/1 | Bussning | Bushing | |
| 32 | 1 | 125160027/0 | Distans | Spacer | |
| 33 | 1 | 112155000/0 | Mutter | Nut | |
| 34 | 1 | 125430262/0 | Fjäder | Spring | |
| 41 | 1 | 125394509/1 | Knopp | Knob | |
| 42 | 1 | 125033113/0 | Stang | Rod | |
| 43 | 1 | 325253011/1 | Krok | Hook | |
| 45 | 1 | 112155000/0 | Mutter | Nut | |
| 46 | 1 | 125430213/0 | Fjäder | Spring | |
| 47 | 1 | 112523060/0 | Bricka | Washer | |
| 51 | 2 | 125160068/0 | Distans | Spacer | |
| 52 | 2 | 125601592/0 | Remskiva | Pulley | |



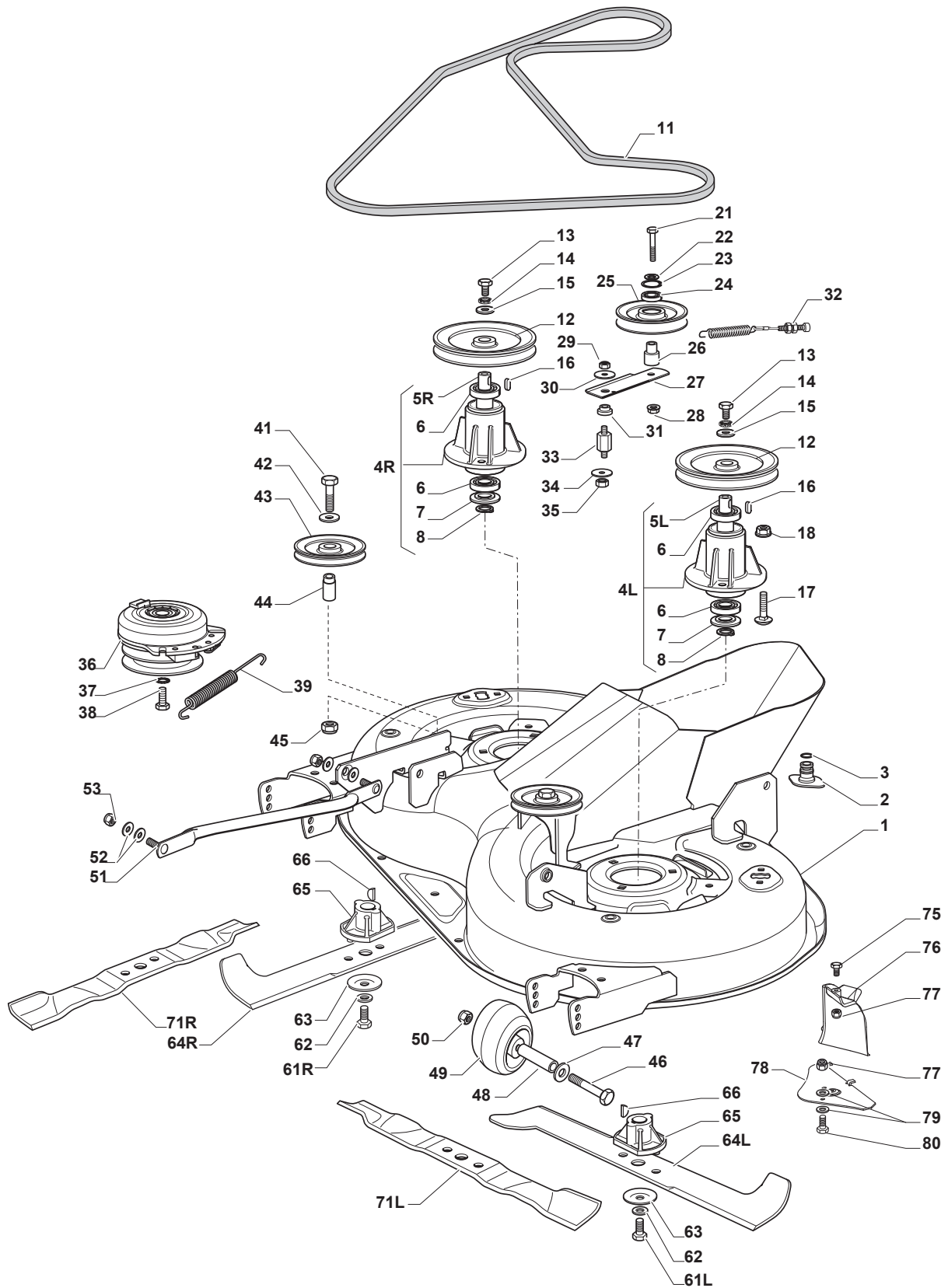
| Utgåva Issue 2 - 2016 | | Transmission | | Transmission | |
|-----------------------------|---------------|-------------------|-----------------------------------|--|---------------------|
| Pos. Fig. | Antal Q.ty | Art nr Part No | Benämning | Description | Anmärkning Notes |
| 1 | 1 | 325110274/0 | Fäste | Clamp Cover Front | |
| 2 | 1 | 382000574/2 | Drivpedal | Drive Pedal | |
| 3 | 1 | 325110331/0 | Fäste | Clamp Cover Rear | |
| 4 | 2 | 325785350/0 | Fäste | Support | |
| 5 | 2 | 325547231/0 | Plat | Plate | |
| 6 | 4 | 112791213/1 | Skruv | Screw | |
| 7 | 4 | 112154510/0 | Mutter | Nut | |
| 8 | 1 | 327546019/0 | Plat | Neutral Switch Fixing Plate | |
| 9 | 2 | 112735602/0 | Skruv | Screw | |
| 10 | 2 | 112540020/0 | Bricka | Washer | |
| 11 | 2 | 112581100/0 | Fj.Bricka Fbb 3.1X5.7X0.8 (M3) | Grower | |
| 12 | 2 | 112290791/0 | Mutter | Nut | |
| 13 | 1 | 119410609/1LC | Mikrobrytare | Micro Switch | |
| 14 | 1 | 118802721/0 | Kit, Fläkt-Remskiva | Fan Kit | |
| 15 | 1 | 382000573/1 | Stang | Rod | |
| 16 | 2 | 325670011/0 | Bricka | Antifricition Washer | |
| 17 | 1 | 112000940/0 | Ring | Benzing Ring | |
| 18 | 1 | 112523040/0 | Bricka | Washer | |
| 19 | 1 | 112154510/0 | Mutter | Nut | |
| 21 | 4 | 112691600/0 | Skruv | Screw | |
| 22 | 4 | 112521350/0 | Bricka | Washer | |
| 23 | 1 | 118400921/0 | Hydro Transaxel T2-Adbf-2X3C-1Rx1 | Rear Axle (Hydro-Gear T2-Adbf-2X3C-1Rx1) | |
| 24 | 4 | 112155000/0 | Mutter | Nut | |
| 25 | 2 | 325670026/0 | Bricka | Washer | |
| 26 | 1 | 325785349/1 | Fäste | Support | |
| 27 | 1 | 112691700/0 | Skruv | Screw | |
| 29 | 1 | 112792611/0 | Skruv | Screw | |
| 30 | 2 | 112523060/0 | Bricka | Washer | |
| 31 | 2 | 112155000/0 | Mutter | Nut | |
| 32 | 1 | 112791213/1 | Skruv | Screw | |
| 33 | 1 | 325318251/0 | Spak | Lever | |
| 34 | 1 | 112154510/0 | Mutter | Nut | |
| 35 | 1 | 325060034/1 | Cam | Cam | |
| 36 | 2 | 112735403/0 | Skruv | Screw | |
| 37 | 1 | 325774573/0 | Fäste | Clamp | |
| 38 | 2 | 112791400/0 | Skruv | Screw | |
| 39 | 1 | 119410614/0 | Mikrobrytare | Microswitch | |
| 40 | 2 | 112154510/0 | Mutter | Nut | |
| 41 | 2 | 125670005/2 | Bricka | Washer | |
| 42 | 2 | 125160058/0 | Distans | Spacer | |
| 43 | 6 | 125670005/1 | Bricka | Washer | |
| 44 | 2 | 112001010/0 | Lasring | Benzing Ring | |
| 45 | 2 | 322110239/0 | Navkapsel | Hub Cover | |
| 46 | 2 | 382000597/0 | BakhjulFälged | Rimm | |
| 47 | 2 | 125950000/0 | Ventil | Valve | |
| 48 | 2 | 125590015/0 | Däck | Tyre | |



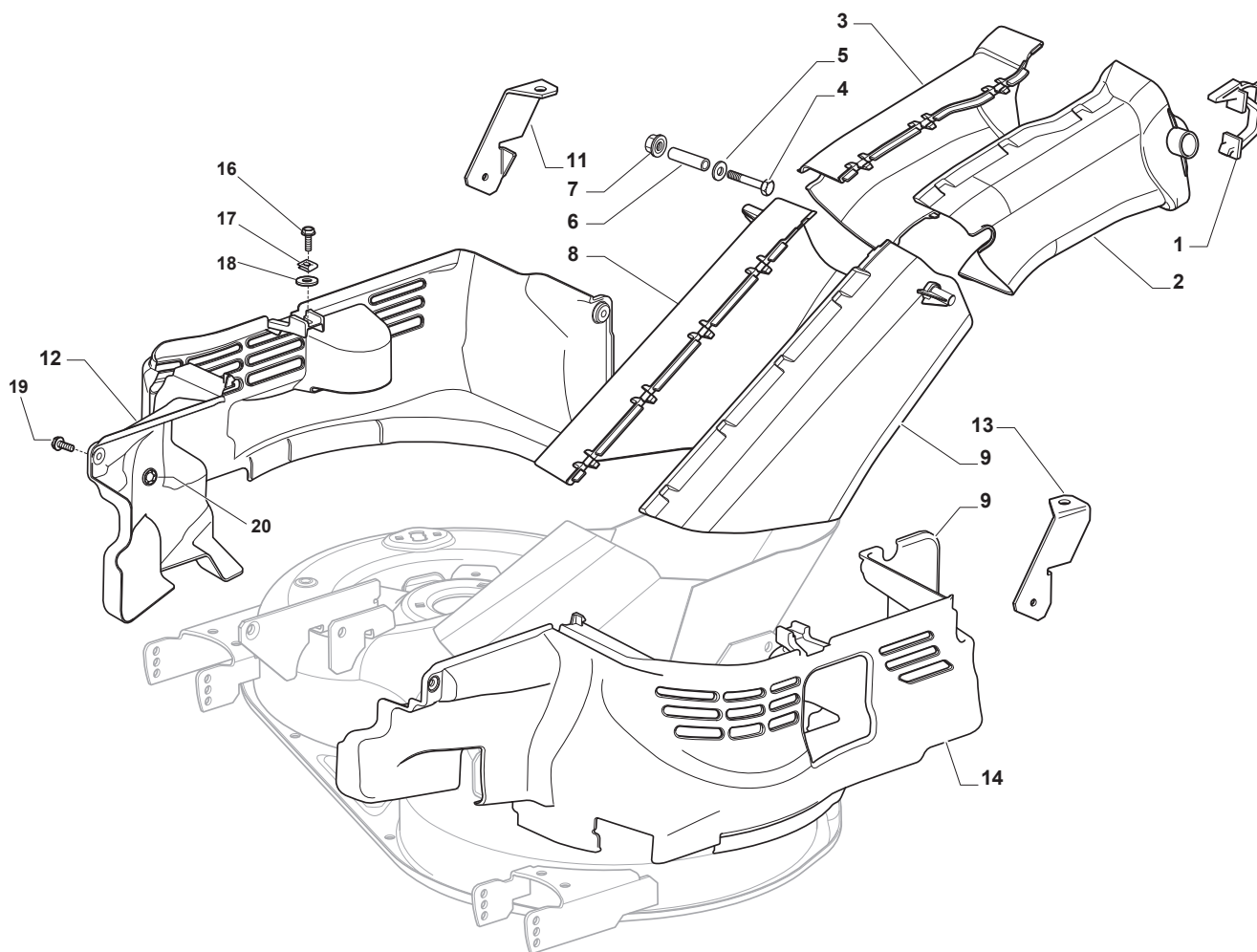
| Utgåva Issue 2 - 2016 | | Skärplatta, Lyft Cutting Plate Lifting | | | |
|-----------------------------|---------------|---|---------------------|---------------------|---------------------|
| Pos. Fig. | Antal Q.ty | Art nr Part No | Benämning | Description | Anmärkning Notes |
| 1 | 1 | 325394533/0 | Knopp | Knob | |
| 2 | 1 | 382318255/0 | Spak | Lever | |
| 3 | 1 | 382318231/0 | Axel | Axle | |
| 4 | 1 | 112674700/0 | Skruv | Screw | |
| 5 | 1 | 125430261/0 | Fjäder | Spring | |
| 6 | 1 | 112154510/0 | Mutter | Nut | |
| 7 | 2 | 325038006/0 | Bussning | Bushing | |
| 8 | 1 | 325785297/0 | Fäste | Support | |
| 9 | 2 | 125943009/0 | Skruv | Screw | |
| 10 | 1 | 325735515/0 | Segment | Steering Sector | |
| 11 | 2 | 125943009/0 | Skruv | Screw | |
| 12 | 1 | 112793701/0 | Skruv | Screw | |
| 13 | 1 | 125040636/1 | Bussning | Bushing | |
| 14 | 1 | 125601579/0 | Remskiva | Pulley | |
| 15 | 1 | 382004620/0 | Kabel | Wire | |
| 16 | 1 | 112523060/0 | Bricka | Washer | |
| 17 | 1 | 112293201/0 | Mutter | Nut | |
| 21 | 1 | 382318297/0 | Axle | Axle | |
| 22 | 4 | 112735599/0 | Skruv | Screw | |
| 23 | 2 | 325547231/0 | Plat | Plate | |
| 24 | 1 | 124487997/0 | Lasnal | Cotter Pin | |
| 25 | 2 | 112521390/0 | Bricka | Washer | |
| 26 | 2 | 325670010/0 | Antifriction Washer | Antifriction Washer | |
| 27 | 1 | 125033109/0 | Connecting Rod | Connecting Rod | |
| 28 | 1 | 325670010/0 | Antifriction Washer | Antifriction Washer | |
| 29 | 1 | 382318293/0 | Axle | Axle | |
| 30 | 1 | 124487997/0 | Lasnal | Cotter Pin | |
| 31 | 1 | 325547231/0 | Plat | Plate | |
| 32 | 2 | 112735599/0 | Skruv | Screw | |
| 34 | 3 | 325670008/1 | Bricka | Washer | |
| 35 | 3 | 125510107/1 | Stift | Pin | |
| 36 | 3 | 112156602/0 | Mutter | Nut | |
| 37 | 3 | 112295200/0 | Mutter | Nut | |
| 38 | 3 | 125840012/0 | Spännstang | Tie Rod | |
| 39 | 3 | 325670008/1 | Bricka | Washer | |
| 41 | 3 | 124487998/0 | Fjäder Clip | Cotter Pin | |
| 43 | 3 | 112156602/0 | Mutter | Nut | |
| 44 | 6 | 325670008/1 | Bricka | Washer | |



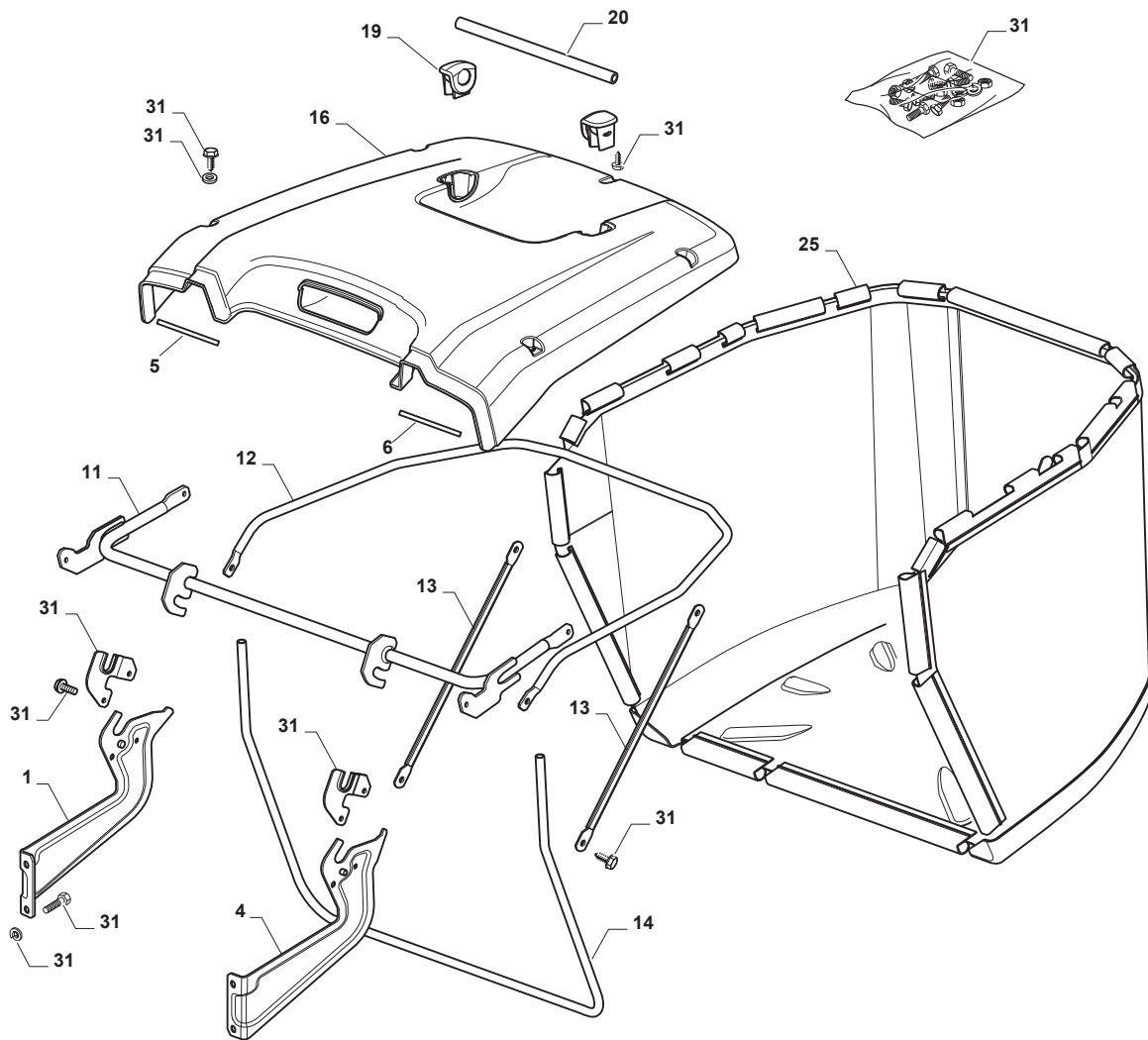
| Utgåva Issue 2 - 2016 | | Skärplatta Cutting Plate | | | |
|-----------------------------|---------------|-----------------------------|-----------------------|------------------------|---------------------|
| Pos. Fig. | Antal Q.ty | Art nr Part No | Benämning | Description | Anmärkning Notes |
| 4 | 1 | 382207206/1 | Knivaxelfläns | Flange Assy | Pos. 4L |
| 4 | 1 | 382207205/1 | Flange Assy | Flange Assy | Pos. 4R |
| 1 | 1 | 382564113/0 | Klippdäck, svart | Cutting Plate Black | |
| 2 | 2 | 325033086/0 | Vattenslanganslutning | Water Hose Connection | |
| 3 | 2 | 119035000/0 | O-Ring | Or Ring | |
| 5 | 1 | 125020805/0 | Höger Knivaxel Mp84 | Shaft | Pos. 5R |
| 5 | 1 | 125020804/0 | Knivaxel | Shaft | Pos. 5L |
| 6 | 4 | 119216049/0 | Lager 6204 2Rsh Skf | Bearing | |
| 7 | 2 | 325160501/0 | Dammskydd | Dust Cover Disc | |
| 8 | 2 | 112609260/0 | Sparring Sga 20 | Seeger | |
| 11 | 1 | 135061508/0 | Drivrem | Belt | |
| 12 | 2 | 125601571/0 | Remskiva | Pulley | |
| 13 | 2 | 112793102/0 | Skruv | Screw | |
| 14 | 2 | 112540260/0 | Lasbricka 8.4X15X0.8 | Grower | |
| 15 | 2 | 125670007/0 | Bricka | Washer | |
| 16 | 2 | 112139480/0 | Kil | Feather | |
| 17 | 6 | 112818690/0 | Skruv | Screw | |
| 18 | 6 | 112154210/0 | Mutter | Nut | |
| 21 | 1 | 112691400/0 | Skruv | Screw | |
| 22 | 1 | 112524010/0 | Bricka | Washer | |
| 23 | 1 | 112610800/0 | Sparring Sgh 35 | Seeger | |
| 24 | 1 | 119216048/0 | Kullager | Bearing | |
| 24 | 1 | 19216041/0 | Lager | Bearing | |
| 25 | 1 | 125601595/0 | Remskiva | Pulley | |
| 26 | 1 | 125160052/0 | Distans | Spacer | |
| 27 | 1 | 325318289/0 | Spak | Lever | |
| 28 | 1 | 112293201/0 | Mutter | Nut | |
| 29 | 1 | 112155020/0 | Mutter | Nut | |
| 30 | 1 | 125670022/0 | Bricka | Washer | |
| 31 | 1 | 125040635/0 | Bussning | Bushing | |
| 32 | 1 | 382004618/0 | Kabel | Wire | |
| 33 | 1 | 125160049/0 | Distans | Spacer | |
| 34 | 1 | 112523080/0 | Bricka | Washer | |
| 35 | 1 | 112156602/0 | Mutter | Nut | |
| 36 | 1 | 118399069/0 | Magnetkoppling | Electromagnetic Clutch | |
| 37 | 1 | 112543000/0 | Bricka | Washer | |
| 38 | 1 | 112737320/0 | Skruv | Screw | |
| 39 | 1 | 125430277/0 | Fjäder | Spring | |
| 41 | 2 | 112691400/0 | Skruv | Screw | |
| 42 | 2 | 112523060/0 | Bricka | Washer | |
| 43 | 1 | 325601599/0 | Remskiva | Pulley | |
| 44 | 2 | 125160082/0 | Distans | Spacer | |
| 45 | 2 | 112155000/0 | Mutter | Nut | |
| 46 | 2 | 112692100/0 | Skruv | Screw | |
| 47 | 2 | 112523060/0 | Bricka | Washer | |
| 48 | 2 | 125160072/0 | Distans | Spacer | |
| 49 | 2 | 182700005/0 | Stödhjul | Anti Scalp Wheel Ø 90 | |
| 50 | 2 | 112293201/0 | Mutter | Nut | |
| 51 | 2 | 382000565/0 | Tryckstang | Equalizer Rod | |



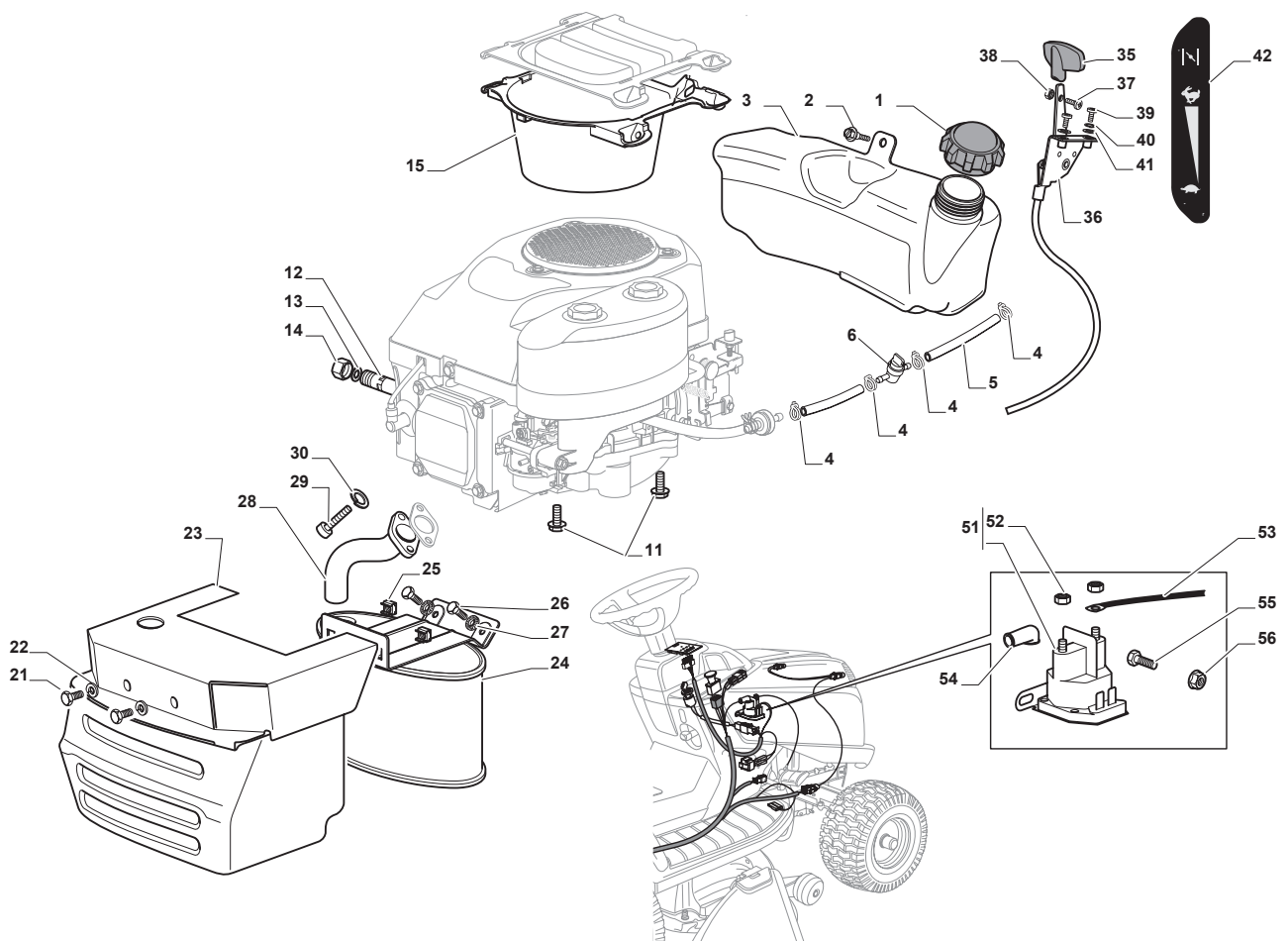
| Utgåva Issue 2 - 2016 | | Skärplatta Cutting Plate | | | |
|-----------------------------|---------------|-----------------------------|--------------|----------------------|---------------------|
| Pos. Fig. | Antal Q.ty | Art nr Part No | Benämning | Description | Anmärkning Notes |
| 52 | 8 | 325670008/1 | Bricka | Washer | |
| 53 | 4 | 112156602/0 | Mutter | Nut | |
| 61 | 1 | 112735694/0 | Skruv | Screw | Pos. 61L |
| 61 | 1 | 112735695/1 | Skruv | Screw | Pos. 61R |
| 62 | 2 | 112523080/0 | Bricka | Washer | |
| 63 | 2 | 122160400/0 | Fjäderbricka | Elastic Disc | |
| 64 | 1 | 182004359/0 | Kniv | Left Blade, Winged | Pos. 64L |
| 64 | 1 | 182004358/0 | Kniv | Right Blade, Winged | Pos. 64R |
| 65 | 2 | 125463200/0 | Knivfäste | Blade Hub | |
| 66 | 2 | 112139100/0 | Kil | Key | |
| 71 | 1 | 182004361/0 | Kniv | Left Mulching Blade | Pos. 71L |
| 71 | 1 | 182004360/0 | Kniv | Right Mulching Blade | Pos. 71R |
| 75 | 3 | 112791213/1 | Skruv | Screw | |
| 76 | 1 | 325140108/0 | Deflektor | Deflector | |
| 77 | 4 | 112154510/0 | Mutter | Nut | |
| 78 | 1 | 325785418/0 | Hallare | Support | |
| 79 | 4 | 112523040/0 | Bricka | Washer | |
| 80 | 1 | 112790781/0 | Skruv | Screw | |



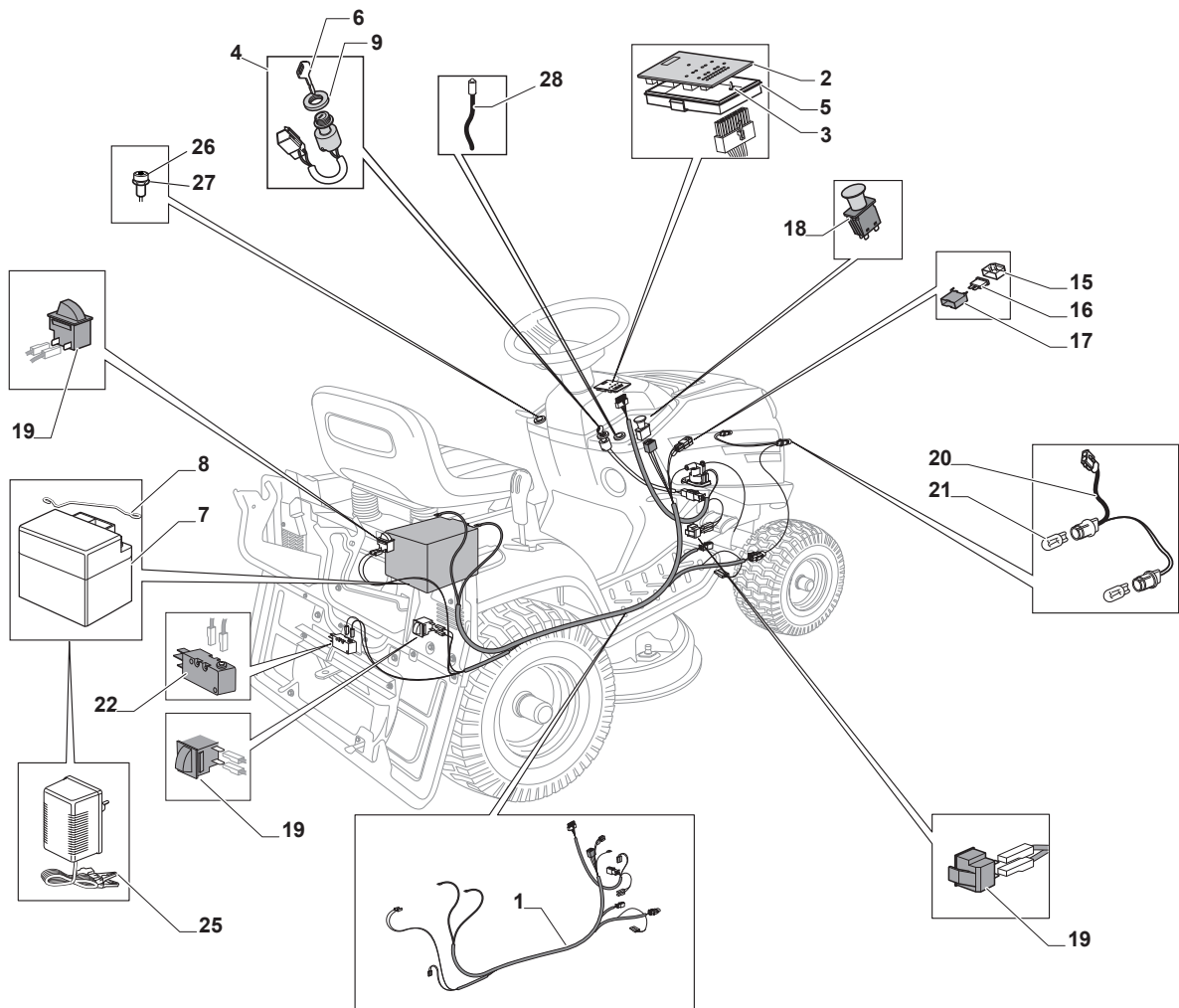
| Utgåva Issue 2 - 2016 | | Skydd Cemagref Guards | | | |
|-----------------------------|---------------|--------------------------|------------|----------------|---------------------|
| Pos. Fig. | Antal Q.ty | Art nr Part No | Benämning | Description | Anmärkning Notes |
| 1 | 2 | 325774499/0 | Fäste | Clamp | |
| 2 | 1 | 325108056/0 | Luftledare | Conveyor | |
| 3 | 1 | 325108057/0 | Luftledare | Conveyor | |
| 4 | 2 | 112792425/0 | Skruv | Screw | |
| 5 | 2 | 112521330/0 | Bricka | Washer | |
| 6 | 2 | 125160071/0 | Distans | Spacer | |
| 7 | 2 | 112154510/0 | Mutter | Nut | |
| 8 | 1 | 325108064/0 | Luftledare | Conveyor | |
| 9 | 1 | 325108065/0 | Luftledare | Conveyor | |
| 11 | 1 | 325774527/0 | Fäste | Clamp | |
| 12 | 1 | 325060168/0 | Remskydd | Case | |
| 13 | 1 | 325774529/0 | Fäste | Clamp | |
| 14 | 1 | 325060169/0 | Remskydd | Case | |
| 16 | 2 | 112789008/0 | Skruv | Screw | |
| 17 | 2 | 112437503/0 | Plat | Plate | |
| 18 | 2 | 112523020/0 | Bricka | Washer | |
| 19 | 4 | 125943011/0 | Skruv | Screw | |
| 20 | 4 | 112604899/0 | Starlock | Crown Fastener | |



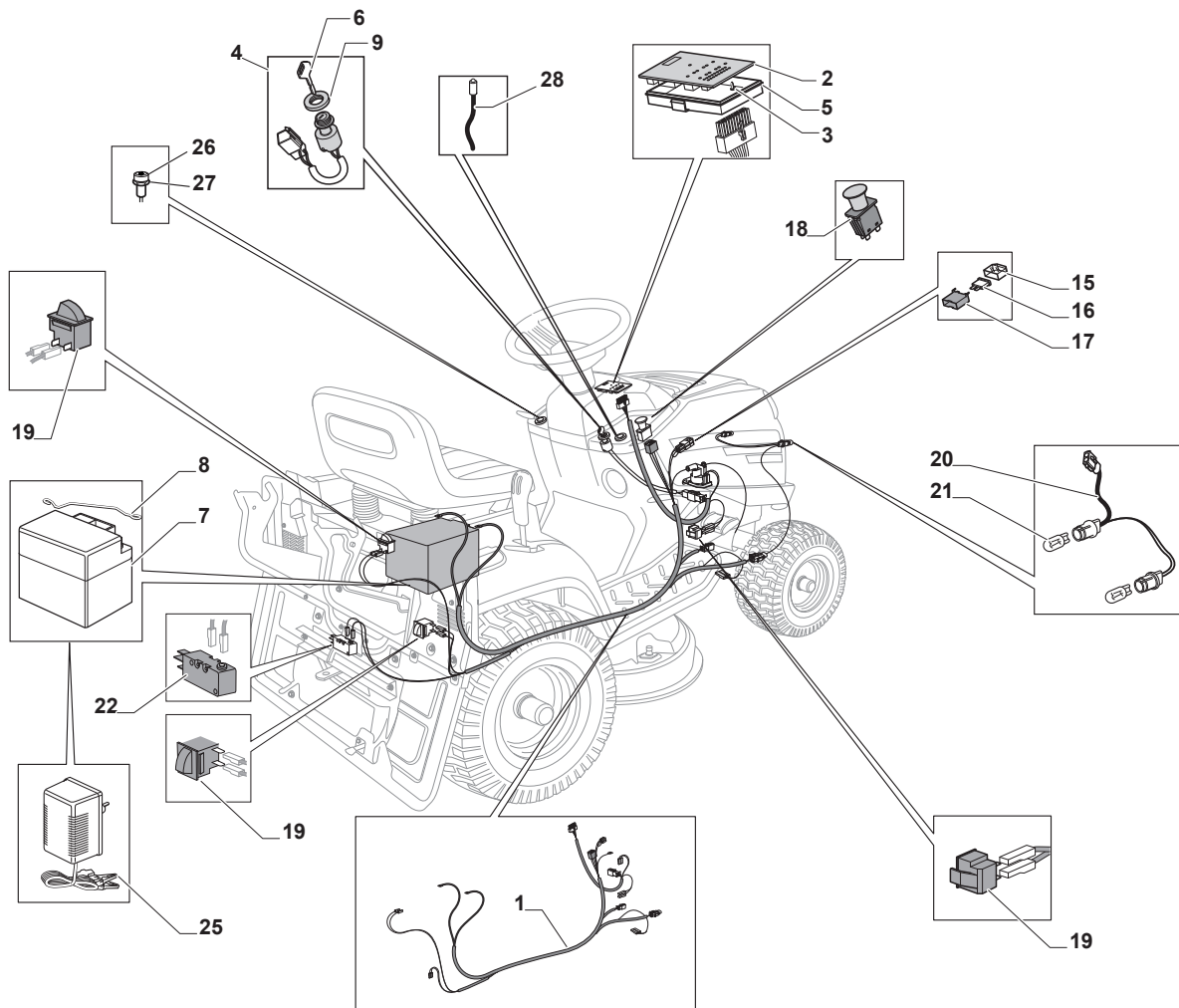
| Utgåva Issue 2 - 2016 | | Gräsuppsamlare Grasscatcher | | | |
|-----------------------------|---------------|--------------------------------|------------------------|---------------------------|---------------------|
| Pos. Fig. | Antal Q.ty | Art nr Part No | Benämning | Description | Anmärkning Notes |
| 1 | 1 | 325785377/0 | Fäste | Support | |
| 4 | 1 | 325785383/0 | Fäste | Support | |
| 5 | 1 | 125270802/0 | Packning | Seal | |
| 6 | 1 | 125270803/0 | Packning | Seal | |
| 11 | 1 | 382800147/0 | Ram. övre | Upper Frame | |
| 12 | 1 | 382800145/0 | Ram. övre | Upper Frame | |
| 13 | 2 | 325650161/0 | Förstärkning | Stiffening | |
| 14 | 1 | 382800143/0 | Ram, främre | Front Frame | |
| 16 | 1 | 325110437/0 | Uppsamlarlock-Svart | Black Grass-Catcher Cover | |
| 19 | 2 | 325785417/0 | Fäste | Support | |
| 20 | 1 | 325394538/0 | Uppsamlarhandtag Mp84C | Handle | |
| 25 | 1 | 182105942/0 | Uppsamlare | Grasscatcher | |
| 31 | 1 | 382180122/0 | Skruv | Screw | |



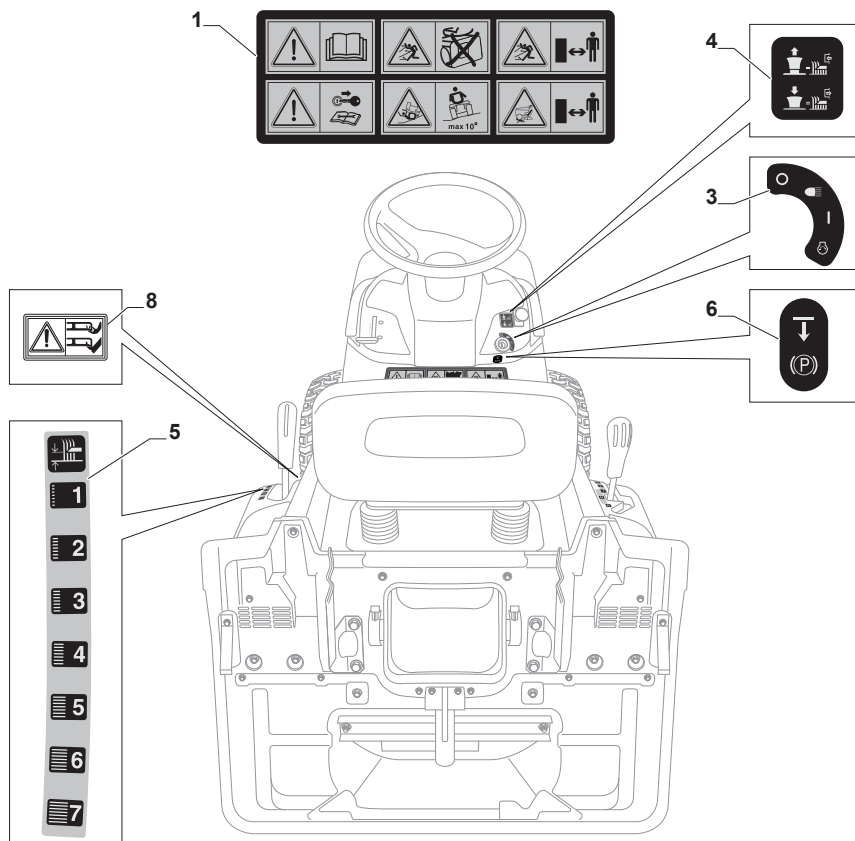
| Utgåva Issue 2 - 2016 | | Motor - B&S | Engine - GGP | | |
|-----------------------------|---------------|-------------------|---------------------------------|-------------------------|---------------------|
| Pos. Fig. | Antal Q.ty | Art nr Part No | Benämning | Description | Anmärkning Notes |
| 6 | 1 | 118562996/0 | Bensinkran | Shut out valve | |
| 1 | 1 | 125795001/1 | Tanklock Tc Honda 05/06 | Cap | |
| 2 | 4 | 125943006/0 | Skruv | Screw | |
| 3 | 1 | 325735126/0 | Bränsletank | Fuel Tank | |
| 4 | 4 | 118375051/1 | Slangklämma | Fair Led | |
| 5 | 1 | 325869057/0 | Bränsleslang | Connecting Tube | |
| 11 | 4 | 112735108/1 | Skruv | Screw | |
| 12 | 1 | 127598060/0 | Oil Discharge Extension (Rider) | Oil Discharge Extension | |
| 13 | 1 | 118401001/1 | Tätningring | Oil Seal | |
| 14 | 1 | 118737849/0 | Plugg | Plug | |
| 15 | 1 | 325108044/1 | Luftledare | Conveyor | |
| 21 | 2 | 112792611/0 | Skruv | Screw | |
| 22 | 2 | 112540260/0 | Lasbricka 8.4X15X0.8 | Grower | |
| 23 | 1 | 382598045/0 | Ljuddämparskydd | Muffler Protection | |
| 24 | 1 | 182750010/0 | Ljuddämpare | Muffler | |
| 25 | 2 | 112360425/0 | Mutter | Nut | |
| 26 | 2 | 112792611/0 | Skruv | Screw | |
| 27 | 2 | 112540260/0 | Lasbricka 8.4X15X0.8 | Grower | |
| 28 | 1 | 118738231/1 | Avgasrör | Exhaust Tube | |
| 29 | 2 | 112737450/0 | Skruv | Screw | |
| 30 | 2 | 112540260/0 | Lasbricka 8.4X15X0.8 | Grower | |
| 35 | 1 | 325394531/0 | Knopp | Knob | |
| 36 | 1 | 182000215/0 | Gaswire | Accelerator | |
| 37 | 1 | 112726389/0 | Skruv | Screw | |
| 38 | 1 | 112290800/0 | Mutter | Nut | |
| 39 | 2 | 112726389/0 | Skruv | Screw | |
| 40 | 2 | 112540020/0 | Bricka | Washer | |
| 41 | 2 | 112521310/0 | Bricka | Washer | |
| 42 | 1 | 114363697/0 | Dekal | Label | |
| 51 | 1 | 118736111/0 | Startrelä | Starter Relay | |
| 52 | 2 | 112360352/0 | Mutter | Nut | |
| 53 | 1 | 125065002/0 | Kabelhärva | Cable | |
| 54 | 1 | 118564864/1 | Polskydd | Protection | |
| 55 | 1 | 112790781/0 | Skruv | Screw | |
| 56 | 2 | 112154510/0 | Mutter | Nut | |



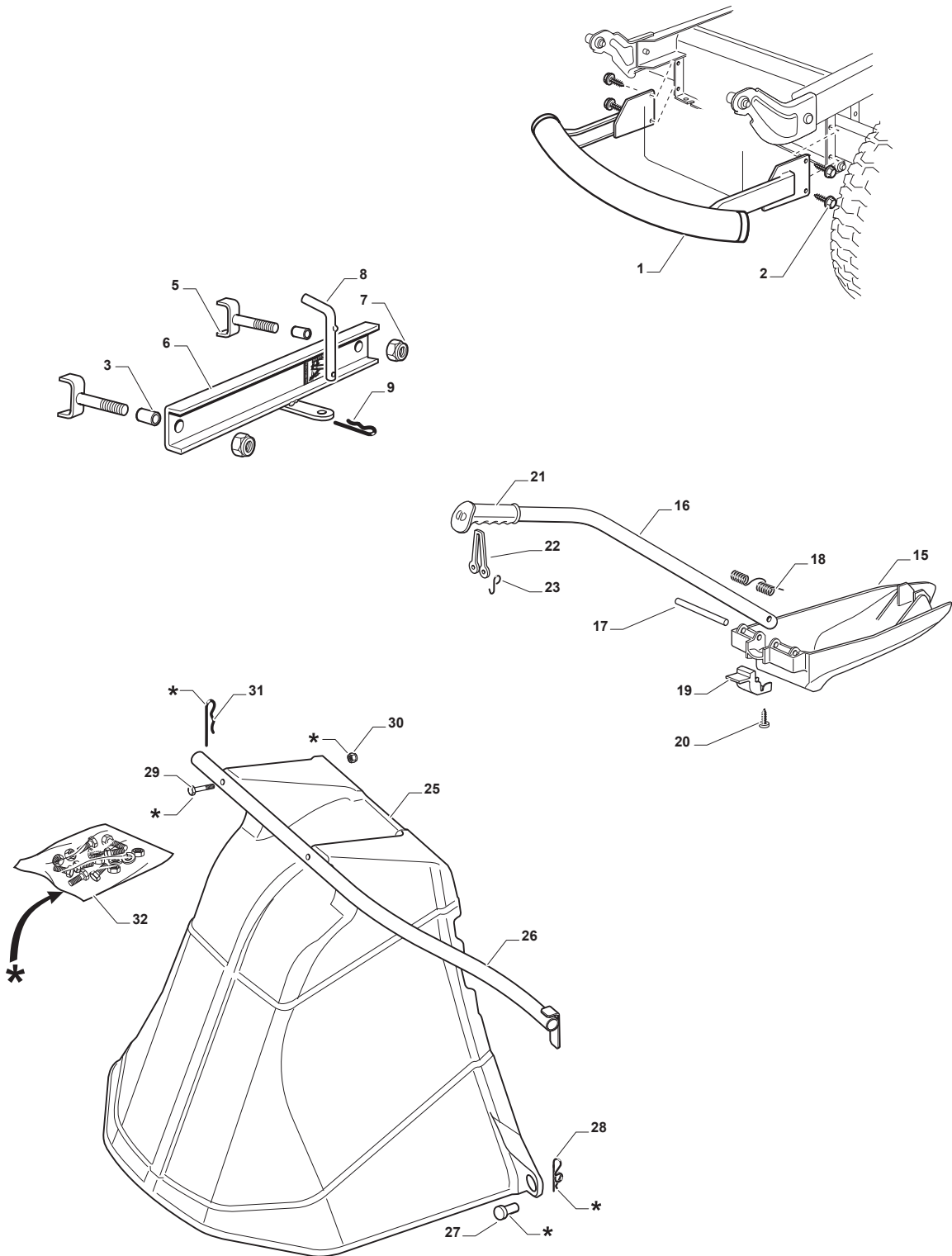
| Utgåva Issue 2 - 2016 | | Elsystem Electrical Parts | | | |
|-----------------------------|---------------|------------------------------|------------------------------|-------------------------------|------------------------|
| Pos. Fig. | Antal Q.ty | Art nr Part No | Benämning | Description | Anmärkning Notes |
| 1 | 1 | 182040199/0 | Kabelhärva | Cables Ass.Y | for B&S and GGP Engine |
| 1 | 1 | 182040200/0 | Kabelhärva | Cables Ass.Y | for Honda Engine |
| 2 | 1 | 382722444/0 | Elektronikkort | Electronic Card | |
| 3 | 3 | 112735101/0 | Skruv | Screw | |
| 4 | 1 | 118450075/1 | Tändningslas | Starting Switch | |
| 5 | 1 | 325600090/0 | Kretskortskydd | Card Protection | |
| 6 | 1 | 118210023/0 | Startnyckel | Starting Key | |
| 7 | 1 | 118120002/1 | Batteri | Battery | |
| 8 | 1 | 125430265/1 | Fjäder | Spring | |
| 9 | 1 | 118400863/0 | Screwed Ring | Screwed Ring | |
| 15 | 2 | 133215000/0 | Lock-Säkringshallare | Cover | |
| 16 | 1 | 133340036/0 | Säkring 25A | Fuse 25 A | |
| 16 | 1 | 133340040/0 | Säkring 10A | Fuse 10 A | |
| 17 | 2 | 133500007/0 | Säkringshallare | Fuse Carrier | |
| 18 | 1 | 118450074/0 | Brytare | Clutch Switch | |
| 19 | 3 | 119410613/0 | Mikrobrytare | Microswitch | |
| 20 | 1 | 182040191/0 | Kablage kpl | Cables Ass.Y | for LED models |
| 21 | 2 | 118459100/0 | Glödlampa | Lamp For Lights | |
| 22 | 1 | 119410605/1 | Mikrobrytare | Microswitch | |
| 25 | 1 | 182180090/0 | Batteriladdare 1A - CE Plugg | Battery Charger 1A - CE Plugg | CE Plugg |
| 26 | 1 | 325605003/0 | Knapp | Button | |
| 27 | 1 | 325256250/0 | Skruv | Screwed Ring | |
| 28 | 1 | 182040174/0 | Kabelhärva | Led Wiring Assy | |



| Utgåva Issue 2 - 2016 | | Elsystem Electrical Parts | | | |
|-----------------------------|---------------|------------------------------|------------------------------|-------------------------------|------------------------|
| Pos. Fig. | Antal Q.ty | Art nr Part No | Benämning | Description | Anmärkning Notes |
| 1 | 1 | 182040199/0 | Kabelhärva | Cables Ass.Y | for B&S and GGP Engine |
| 1 | 1 | 182040200/0 | Kabelhärva | Cables Ass.Y | for Honda Engine |
| 2 | 1 | 382722444/0 | Elektronikkort | Electronic Card | |
| 3 | 3 | 112735101/0 | Skruv | Screw | |
| 4 | 1 | 118450075/1 | Tändningslas | Starting Switch | |
| 5 | 1 | 325600090/0 | Kretskortskydd | Card Protection | |
| 6 | 1 | 118210023/0 | Startnyckel | Starting Key | |
| 7 | 1 | 118120002/1 | Batteri | Battery | |
| 8 | 1 | 125430265/1 | Fjäder | Spring | |
| 9 | 1 | 118400863/0 | Screwed Ring | Screwed Ring | |
| 15 | 2 | 133215000/0 | Lock-Säkringshallare | Cover | |
| 16 | 1 | 133340036/0 | Säkring 25A | Fuse 25 A | |
| 16 | 1 | 133340040/0 | Säkring 10A | Fuse 10 A | |
| 17 | 2 | 133500007/0 | Säkringshallare | Fuse Carrier | |
| 18 | 1 | 118450074/0 | Brytare | Clutch Switch | |
| 19 | 3 | 119410613/0 | Mikrobrytare | Microswitch | |
| 20 | 1 | 182040191/0 | Kablage kpl | Cables Ass.Y | for LED models |
| 21 | 2 | 118459100/0 | Glödlampa | Lamp For Lights | |
| 22 | 1 | 119410605/1 | Mikrobrytare | Microswitch | |
| 25 | 1 | 182180090/0 | Batteriladdare 1A - CE Plugg | Battery Charger 1A - CE Plugg | CE Plugg |
| 26 | 1 | 325605003/0 | Knapp | Button | |
| 27 | 1 | 325256250/0 | Skruv | Screwed Ring | |
| 28 | 1 | 182040174/0 | Kabelhärva | Led Wiring Assy | |



| Utgåva Issue 2 - 2016 | | Dekaler Labels | | | |
|-----------------------------|---------------|-------------------|-----------|-------------|---------------------|
| Pos. Fig. | Antal Q.ty | Art nr Part No | Benämning | Description | Anmärkning Notes |
| 5 | 1 | 114366142/0 | Dekal | Label | |
| 1 | 1 | 114361553/1 | Dekal | Label | |
| 3 | 1 | 114363699/0 | Dekal | Label | |
| 4 | 1 | 114361438/0 | Dekal | Label | |
| 6 | 1 | 114363700/0 | Dekal | Label | |
| 8 | 1 | 114356699/1 | Dekal | Label | |



| Utgåva Issue 2 - 2016 | | Tillbehör på begäran Optionals On Request | | | |
|-----------------------------|---------------|--|-----------------------------------|-----------------------|---------------------|
| Pos. Fig. | Antal Q.ty | Art nr Part No | Benämning | Description | Anmärkning Notes |
| 1 | 1 | 382869038/0 | Ljuddämparskydd | Muffler Protection | |
| 2 | 4 | 125943008/0 | Skruv | Screw | |
| 3 | 2 | 125160074/0 | Distans | Spacer | |
| 5 | 2 | 382650211/0 | Förstärkningkpl Trailer Kit Sd 98 | Stiffening | |
| 6 | 1 | 382033119/0 | Dragkrok | Tow Bar Assy | |
| 7 | 2 | 112155000/0 | Mutter | Nut | |
| 8 | 1 | 125510021/1 | Stift | Hitch Pin | |
| 9 | 1 | 124487999/0 | Clip | Spring Pin | |
| 15 | 1 | 325140104/1 | Deflektor | Deflector | |
| 16 | 1 | 325394021/0 | Mulcherinsats Handtag | Handle | |
| 17 | 1 | 125510077/0 | Stift | Pin | |
| 18 | 1 | 125430245/0 | Fjäder | Spring | |
| 19 | 1 | 325547320/0 | Platta | Plate | |
| 20 | 1 | 112735403/0 | Skruv | Screw | |
| 21 | 1 | 325280000/1 | Handtag | Handgrip | |
| 22 | 1 | 125840011/1 | Spännstang | Tie Rod | |
| 23 | 2 | 125253004/0 | Krok | Mulch.Kit Fixing Hook | |
| 25 | 1 | 325600093/0 | Utkastskydd | Ejection Guard | |
| 26 | 1 | 382869044/0 | Fäste | Support | |
| 27 | 2 | 125510022/1 | Pinnbult | Pin | |
| 29 | 2 | 112689515/0 | Skruv | Screw | |
| 30 | 2 | 112154510/0 | Mutter | Nut | |
| 31 | 1 | 124487999/0 | Clip | Spring Pin | |
| 32 | 1 | 382180028/0 | Skruvsats | Outfit, Screws | |
| 28 | 2 | 125580040/0 | Remstyrning | Stake | |



Estate 2084 — 1

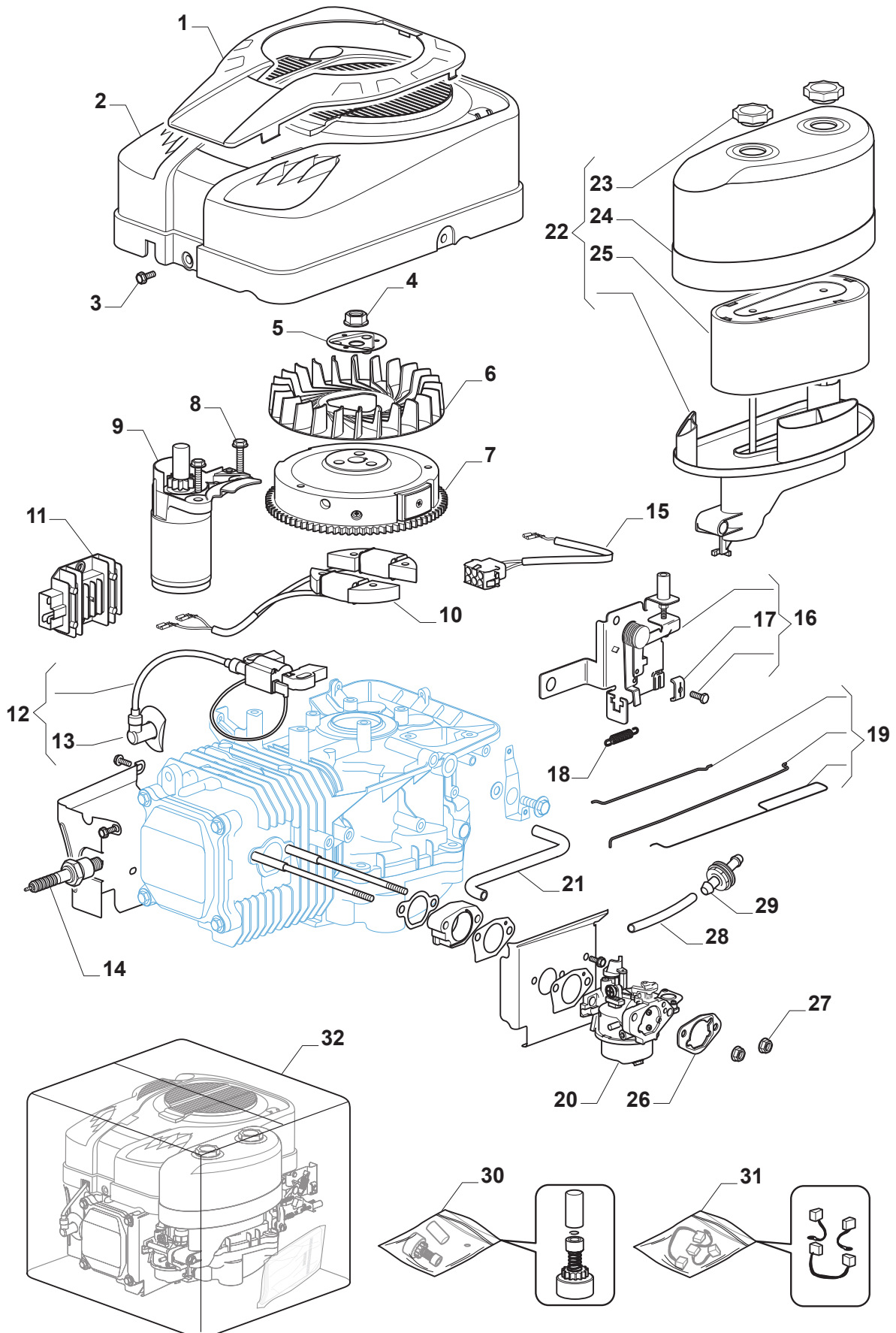
Estate 2084 H — 2

Estate 3084 — 3

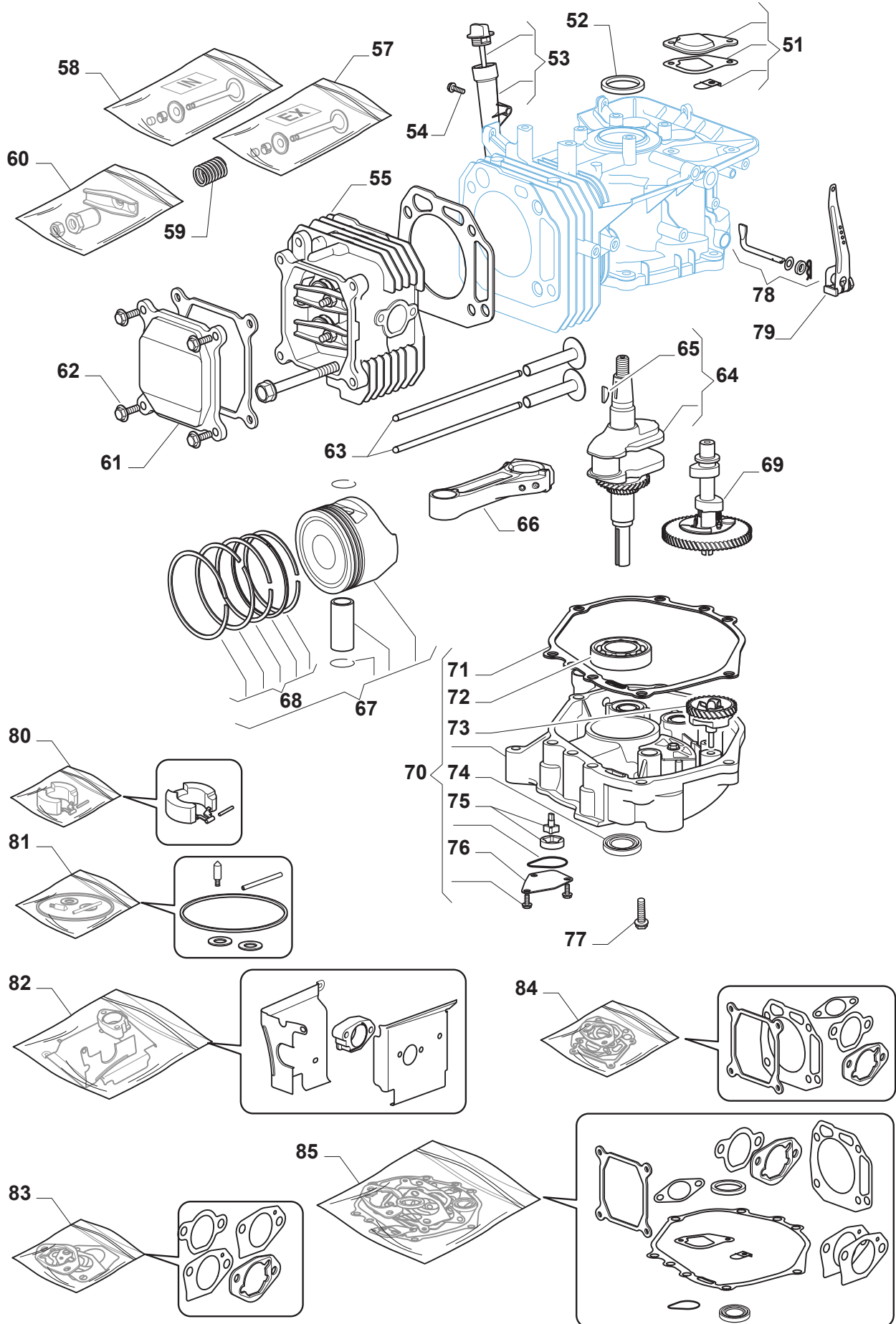
Estate 3084 H — 4

Estate 3384 H — 5

| Utgåva Issue 2 - 2016 | | Dekaler Labels | | | |
|-----------------------------|---------------|-------------------|------------------|------------------|---------------------|
| Pos. Fig. | Antal Q.ty | Art nr Part No | Benämning | Description | Anmärkning Notes |
| 1 | 2 | 114368436/0 | Decal | Label | Estate 2084 |
| 2 | 2 | 114368997/0 | Decal | Label | Estate 2084H |
| 3 | 2 | 114368437/0 | Decal | Label | Estate 3084 |
| 4 | 2 | 114368438/0 | Decal | Label | Estate 3084H |
| 5 | 2 | 114368439/0 | Decal | Label | Estate 3384H |
| 6 | 3 | 114367494/2 | Dekal STIGA logo | Label STIGA logo | |



| Utgåva Issue 2 - 2016 | | Motor - GGP TRE0801 | | Engine - GGP TRE0801 | |
|-----------------------------|---------------|---------------------|-----------------------------------|------------------------|---------------------|
| Pos. Fig. | Antal Q.ty | Art nr Part No | Benämning | Description | Anmärkning Notes |
| 1 | 1 | 325055000/0 | Kapa | Hood, Red | |
| 1 | 1 | 325055001/0 | Kapa | Cover Ring, Yellow | |
| 1 | 1 | 325055002/0 | Kapa | Hood, Black | |
| 2 | 1 | 118550516/0 | Kapa | Cover | |
| 3 | 4 | 112791213/1 | Skruv | Screw | |
| 4 | 1 | 118550237/0 | Mutter | Nut | |
| 5 | 1 | 118550236/0 | Startkopp | Starter Cup | |
| 6 | 1 | 118550235/0 | Fläkt | Flywheel Fan | |
| 7 | 1 | 118550234/1 | Svänghjul kpl | Flywheel Ass.Y | |
| 8 | 2 | 112691100/0 | Skruv | Screw | |
| 9 | 1 | 118550214/0 | Startmotor Kpl | Start Motor Assy | |
| 10 | 1 | 118550210/1 | Laddspole | Coil Assy, Charge | |
| 11 | 1 | 118550208/0 | Generator | Rectfier | |
| 12 | 1 | 118550209/0 | Elektronikspole | Electronic Coil | |
| 13 | 1 | 118550448/0 | Tändstiftshatt | Spark Plug Terminal | |
| 14 | 1 | 9400-0244-00 | Tändstift | Spark Plug | |
| 15 | 1 | 118550207/0 | Generatorkabel | Output Wire, Rectifier | |
| 16 | 1 | 118550331/1 | Reglageplatta | Remote Control Assy | |
| 17 | 1 | 118550212/0 | Wireklämma | Casing Clamp | |
| 18 | 1 | 118550213/0 | Fjäder | Spring | |
| 19 | 1 | 118550239/1 | Regulatorstang | Governor Rod Assy | |
| 20 | 1 | 118550763/0 | Förgasare Kpl | Carburetor | |
| 21 | 1 | 118550225/1 | Ventilations slang | Breather Fule Pipe | |
| 22 | 1 | 118550202/1 | Luftfilter kpl | Air Cleaner Assy | |
| 23 | 2 | 118550201/0 | Knopp | Knob | |
| 24 | 1 | 118550200/0 | Luftfilterkapa | Air Cleaner Cover | |
| 25 | 1 | 118550199/0 | Luftfilter | Air Filter | |
| 26 | 1 | 118550762/0 | Luftfilterpackning | Air Filter Gasket | |
| 27 | 2 | 112292102/0 | Mutter | Nut | |
| 28 | 1 | 118550432/0 | Bränsleslang | Fuel Pipe | |
| 29 | 1 | 118550354/1 | Bränslefilter | Fuel Filter | |
| 30 | 1 | 118550365/1 | Reparationssats | Kit Repair | |
| 31 | 1 | 118550332/1 | Kol | Brushhold | |
| 32 | 1 | 118550526/0 | Motor kpl 1P92 T380-00003-001-004 | Engine Assembled | |



| Utgåva Issue 2 - 2016 | | Motor - GGP TRE0801 | | Engine - GGP TRE0801 | |
|-----------------------------|---------------|---------------------|---------------------------|--------------------------|---------------------|
| Pos. Fig. | Antal Q.ty | Art nr Part No | Benämning | Description | Anmärkning Notes |
| 51 | 1 | 118550446/0 | Packningssats | Gasket Assy | |
| 52 | 1 | 118550443/0 | Tätningring | Oil Seal | |
| 53 | 1 | 118550205/1 | Oljepåfyllnadsrör Kpl | Oil Filler Assy | |
| 54 | 1 | 112674701/0 | Skruv | Screw | |
| 55 | 1 | 118550530/0 | Topplöck | Cylinder Head Assy | |
| 57 | 1 | 118550532/0 | Utsugningsventil | Exhaust Valve Assy | |
| 58 | 1 | 118550531/0 | Insugningsventil Kpl | Intake Valve Assy | |
| 59 | 2 | 118550529/0 | Fjäder | Spring Valve | |
| 60 | 1 | 118550533/0 | Adjuster Rocker Arm | Valve Arm | |
| 61 | 1 | 118550206/0 | Ventilkapa | Cover Comp., Head | |
| 62 | 4 | 112791200/1 | Skruv | Screw | |
| 63 | 1 | 118550242/0 | Tryckstangsats | Push Rods Assy | |
| 64 | 1 | 118550232/0 | Vevaxel | Crankshaft | |
| 65 | 1 | 118550288/0 | Woodruffkil | Woodruff Key | |
| 66 | 1 | 118550231/0 | Vevstake | Connecting Rod Assy | |
| 67 | 1 | 118550511/0 | Kolv kpl | Piston Assy | |
| 68 | 1 | 118550510/0 | Kolvringsats | Piston, Ring Set | |
| 69 | 1 | 118550243/0 | Kamaxel | Camshaft assy | |
| 70 | 1 | 118550445/0 | Vevhuskapa kpl | Crankcase Cover Assy | |
| 71 | 1 | 118550355/1 | Vevhuspackning | Crankcase Gasket | |
| 72 | 1 | 118550227/0 | Kullager | Ball Bearing | |
| 73 | 1 | 118550347/0 | Regulator Kpl | Speed Governor Assy | |
| 74 | 1 | 118550443/0 | Tätningring | Oil Seal | |
| 75 | 1 | 118550224/0 | Oljepump | Oil Pump Assy | |
| 76 | 1 | 118550223/0 | Oljepumplock | Oli Pump Cover | |
| 77 | 4 | 112691115/0 | Skruv | Screw | |
| 78 | 1 | 118550226/0 | Regulatorarm | Shaft, Governor Arm Assy | |
| 79 | 1 | 118550330/1 | Regulatorarm Kpl | Arm Governor Assy | |
| 80 | 1 | 118550440/0 | Reparationssats Förgasare | Kit Repair, Carburettor | |
| 81 | 1 | 118550442/0 | Förgasarpackning kpl | Carburettor Gasket Set | |
| 82 | 1 | 118550220/0 | Skyddssats | Engine Guard Assy | |
| 83 | 1 | 118550217/1 | Packningssats | Gasket Set | |
| 84 | 1 | 118550535/0 | Packningssats (Cylinder) | Cylinder Head Gasket Set | |
| 85 | 1 | 118550534/0 | Packningssats | Engine Gasket Set | |

| code | pos. | q.ty | page | | | | | | | | | | | |
|--------------|------|------|-------|-------------|----|---|-------|-------------|----|---|-------|--|--|--|
| 9400-0244-00 | 14 | 1 | p. 39 | 112521360/0 | 6 | 1 | p. 13 | 112735599/0 | 3 | 4 | p. 13 | | | |
| 19216041/0 | 24 | 1 | p. 19 | 112521360/0 | 36 | 2 | p. 9 | 112735599/0 | 4 | 2 | p. 3 | | | |
| 112000940/0 | 17 | 1 | p. 15 | 112521370/0 | 14 | 1 | p. 9 | 112735599/0 | 14 | 2 | p. 7 | | | |
| 112001010/0 | 44 | 2 | p. 15 | 112521390/0 | 25 | 2 | p. 17 | 112735599/0 | 22 | 2 | p. 3 | | | |
| 112001010/0 | 48 | 1 | p. 9 | 112523020/0 | 18 | 2 | p. 23 | 112735599/0 | 22 | 4 | p. 17 | | | |
| 112001010/0 | 67 | 2 | p. 11 | 112523040/0 | 16 | 3 | p. 7 | 112735599/0 | 32 | 2 | p. 17 | | | |
| 112139100/0 | 66 | 2 | p. 21 | 112523040/0 | 18 | 1 | p. 15 | 112735602/0 | 9 | 2 | p. 15 | | | |
| 112139480/0 | 16 | 2 | p. 19 | 112523040/0 | 79 | 4 | p. 21 | 112735694/0 | 61 | 1 | p. 21 | | | |
| 112154210/0 | 3 | 2 | p. 3 | 112523060/0 | 16 | 1 | p. 17 | 112735695/1 | 61 | 1 | p. 21 | | | |
| 112154210/0 | 18 | 6 | p. 19 | 112523060/0 | 24 | 3 | p. 13 | 112737320/0 | 38 | 1 | p. 19 | | | |
| 112154330/0 | 9 | 1 | p. 5 | 112523060/0 | 27 | 1 | p. 13 | 112737450/0 | 29 | 2 | p. 27 | | | |
| 112154330/0 | 32 | 1 | p. 5 | 112523060/0 | 30 | 2 | p. 15 | 112789008/0 | 7 | 1 | p. 5 | | | |
| 112154510/0 | 6 | 1 | p. 17 | 112523060/0 | 41 | 4 | p. 7 | 112789008/0 | 11 | 6 | p. 5 | | | |
| 112154510/0 | 7 | 2 | p. 23 | 112523060/0 | 42 | 2 | p. 19 | 112789008/0 | 16 | 2 | p. 23 | | | |
| 112154510/0 | 7 | 4 | p. 15 | 112523060/0 | 47 | 1 | p. 13 | 112789008/0 | 30 | 1 | p. 5 | | | |
| 112154510/0 | 19 | 1 | p. 15 | 112523060/0 | 47 | 2 | p. 19 | 112790781/0 | 55 | 1 | p. 27 | | | |
| 112154510/0 | 30 | 2 | p. 35 | 112523070/0 | 3 | 1 | p. 9 | 112790781/0 | 80 | 1 | p. 21 | | | |
| 112154510/0 | 34 | 1 | p. 15 | 112523080/0 | 34 | 1 | p. 19 | 112791200/1 | 62 | 4 | p. 41 | | | |
| 112154510/0 | 35 | 1 | p. 5 | 112523080/0 | 62 | 2 | p. 21 | 112791213/1 | 3 | 4 | p. 39 | | | |
| 112154510/0 | 40 | 2 | p. 15 | 112523100/0 | 52 | 2 | p. 9 | 112791213/1 | 6 | 4 | p. 15 | | | |
| 112154510/0 | 56 | 2 | p. 27 | 112524010/0 | 22 | 1 | p. 19 | 112791213/1 | 32 | 1 | p. 15 | | | |
| 112154510/0 | 77 | 4 | p. 21 | 112540020/0 | 10 | 2 | p. 15 | 112791213/1 | 75 | 3 | p. 21 | | | |
| 112155000/0 | 7 | 2 | p. 35 | 112540020/0 | 40 | 2 | p. 27 | 112791400/0 | 38 | 2 | p. 15 | | | |
| 112155000/0 | 9 | 2 | p. 13 | 112540260/0 | 2 | 1 | p. 9 | 112792425/0 | 4 | 2 | p. 23 | | | |
| 112155000/0 | 19 | 10 | p. 3 | 112540260/0 | 14 | 2 | p. 19 | 112792611/0 | 21 | 2 | p. 27 | | | |
| 112155000/0 | 24 | 4 | p. 15 | 112540260/0 | 22 | 2 | p. 27 | 112792611/0 | 26 | 2 | p. 27 | | | |
| 112155000/0 | 25 | 3 | p. 13 | 112540260/0 | 27 | 2 | p. 27 | 112792611/0 | 29 | 1 | p. 15 | | | |
| 112155000/0 | 26 | 1 | p. 13 | 112540260/0 | 30 | 2 | p. 27 | 112792611/0 | 31 | 4 | p. 7 | | | |
| 112155000/0 | 31 | 2 | p. 15 | 112540260/0 | 32 | 4 | p. 7 | 112793102/0 | 13 | 2 | p. 19 | | | |
| 112155000/0 | 33 | 1 | p. 13 | 112543000/0 | 37 | 1 | p. 19 | 112793701/0 | 12 | 1 | p. 17 | | | |
| 112155000/0 | 43 | 2 | p. 9 | 112581100/0 | 11 | 2 | p. 15 | 112818690/0 | 17 | 6 | p. 19 | | | |
| 112155000/0 | 45 | 1 | p. 13 | 112587100/0 | 54 | 1 | p. 9 | 114356699/1 | 8 | 1 | p. 33 | | | |
| 112155000/0 | 45 | 2 | p. 19 | 112604899/0 | 20 | 4 | p. 23 | 114361438/0 | 4 | 1 | p. 33 | | | |
| 112155010/0 | 28 | 2 | p. 9 | 112609260/0 | 8 | 2 | p. 19 | 114361553/1 | 1 | 1 | p. 33 | | | |
| 112155010/0 | 29 | 2 | p. 9 | 112610800/0 | 23 | 1 | p. 19 | 114363452/0 | 9 | 1 | p. 7 | | | |
| 112155010/0 | 38 | 2 | p. 3 | 112620300/0 | 8 | 1 | p. 9 | 114363697/0 | 42 | 1 | p. 27 | | | |
| 112155020/0 | 29 | 1 | p. 19 | 112622650/0 | 9 | 1 | p. 9 | 114363699/0 | 3 | 1 | p. 33 | | | |
| 112156602/0 | 7 | 1 | p. 13 | 112674700/0 | 4 | 1 | p. 17 | 114363700/0 | 6 | 1 | p. 33 | | | |
| 112156602/0 | 32 | 2 | p. 9 | 112674701/0 | 54 | 1 | p. 41 | 114366142/0 | 5 | 1 | p. 33 | | | |
| 112156602/0 | 35 | 1 | p. 19 | 112689515/0 | 29 | 2 | p. 35 | 114367494/2 | 6 | 3 | p. 37 | | | |
| 112156602/0 | 36 | 3 | p. 17 | 112691100/0 | 8 | 2 | p. 39 | 114368436/0 | 1 | 2 | p. 37 | | | |
| 112156602/0 | 37 | 1 | p. 9 | 112691115/0 | 77 | 4 | p. 41 | 114368437/0 | 3 | 2 | p. 37 | | | |
| 112156602/0 | 43 | 3 | p. 17 | 112691400/0 | 21 | 1 | p. 19 | 114368438/0 | 4 | 2 | p. 37 | | | |
| 112156602/0 | 53 | 4 | p. 21 | 112691400/0 | 22 | 3 | p. 13 | 114368439/0 | 5 | 2 | p. 37 | | | |
| 112290791/0 | 12 | 2 | p. 15 | 112691400/0 | 33 | 2 | p. 3 | 114368997/0 | 2 | 2 | p. 37 | | | |
| 112290800/0 | 38 | 1 | p. 27 | 112691400/0 | 41 | 2 | p. 19 | 118120002/1 | 7 | 1 | p. 29 | | | |
| 112292102/0 | 27 | 2 | p. 39 | 112691600/0 | 21 | 4 | p. 15 | 118120002/1 | 7 | 1 | p. 31 | | | |
| 112293201/0 | 17 | 1 | p. 17 | 112691600/0 | 30 | 1 | p. 13 | 118203854/0 | 39 | 2 | p. 3 | | | |
| 112293201/0 | 25 | 2 | p. 3 | 112691700/0 | 27 | 1 | p. 15 | 118210023/0 | 6 | 1 | p. 29 | | | |
| 112293201/0 | 28 | 1 | p. 19 | 112692050/0 | 1 | 1 | p. 9 | 118210023/0 | 6 | 1 | p. 31 | | | |
| 112293201/0 | 50 | 2 | p. 19 | 112692100/0 | 46 | 2 | p. 19 | 118375051/1 | 4 | 4 | p. 27 | | | |
| 112295200/0 | 37 | 3 | p. 17 | 112692390/0 | 35 | 1 | p. 9 | 118399069/0 | 36 | 1 | p. 19 | | | |
| 112295300/0 | 55 | 1 | p. 9 | 112692695/0 | 51 | 1 | p. 9 | 118400863/0 | 9 | 1 | p. 29 | | | |
| 112360352/0 | 52 | 2 | p. 27 | 112726389/0 | 37 | 1 | p. 27 | 118400863/0 | 9 | 1 | p. 31 | | | |
| 112360425/0 | 25 | 2 | p. 27 | 112726389/0 | 39 | 2 | p. 27 | 118400921/0 | 23 | 1 | p. 15 | | | |
| 112369500/0 | 26 | 1 | p. 9 | 112728686/0 | 15 | 2 | p. 5 | 118401001/1 | 13 | 1 | p. 27 | | | |
| 112379511/0 | 46 | 2 | p. 9 | 112728686/0 | 46 | 2 | p. 3 | 118450074/0 | 18 | 1 | p. 29 | | | |
| 112436030/0 | 15 | 1 | p. 9 | 112728692/0 | 7 | 4 | p. 7 | 118450074/0 | 18 | 1 | p. 31 | | | |
| 112437503/0 | 13 | 6 | p. 5 | 112735101/0 | 3 | 3 | p. 29 | 118450075/1 | 4 | 1 | p. 29 | | | |
| 112437503/0 | 17 | 2 | p. 23 | 112735101/0 | 3 | 3 | p. 31 | 118450075/1 | 4 | 1 | p. 31 | | | |
| 112437506/0 | 35 | 1 | p. 7 | 112735105/0 | 62 | 4 | p. 7 | 118459100/0 | 21 | 2 | p. 29 | | | |
| 112521310/0 | 41 | 2 | p. 27 | 112735108/1 | 11 | 4 | p. 27 | 118459100/0 | 21 | 2 | p. 31 | | | |
| 112521320/0 | 12 | 6 | p. 5 | 112735403/0 | 5 | 4 | p. 7 | 118550199/0 | 25 | 1 | p. 39 | | | |
| 112521330/0 | 5 | 2 | p. 23 | 112735403/0 | 20 | 1 | p. 35 | 118550200/0 | 24 | 1 | p. 39 | | | |
| 112521350/0 | 22 | 4 | p. 15 | 112735403/0 | 36 | 2 | p. 15 | 118550201/0 | 23 | 2 | p. 39 | | | |
| 112521350/0 | 32 | 2 | p. 3 | 112735406/0 | 15 | 3 | p. 7 | 118550202/1 | 22 | 1 | p. 39 | | | |
| | | | | 112735406/0 | 33 | 4 | p. 7 | 118550205/1 | 53 | 1 | p. 41 | | | |

| code | pos. | q.ty | page | | | | | | | | | |
|---------------|------|------|-------|-------------|----|---|-------|-------------|----|----|-------|--|
| 118550206/0 | 61 | 1 | p. 41 | 119410613/0 | 19 | 3 | p. 31 | 125601577/0 | 12 | 1 | p. 13 | |
| 118550207/0 | 15 | 1 | p. 39 | 119410614/0 | 39 | 1 | p. 15 | 125601579/0 | 14 | 1 | p. 17 | |
| 118550208/0 | 11 | 1 | p. 39 | 122160400/0 | 27 | 1 | p. 9 | 125601592/0 | 52 | 2 | p. 13 | |
| 118550209/0 | 12 | 1 | p. 39 | 122160400/0 | 63 | 2 | p. 21 | 125601595/0 | 25 | 1 | p. 19 | |
| 118550210/1 | 10 | 1 | p. 39 | 122524970/3 | 36 | 2 | p. 3 | 125670005/1 | 43 | 6 | p. 15 | |
| 118550212/0 | 17 | 1 | p. 39 | 122524970/3 | 44 | 1 | p. 13 | 125670005/1 | 66 | 2 | p. 11 | |
| 118550213/0 | 18 | 1 | p. 39 | 124487997/0 | 24 | 1 | p. 17 | 125670005/2 | 41 | 2 | p. 15 | |
| 118550214/0 | 9 | 1 | p. 39 | 124487997/0 | 30 | 1 | p. 17 | 125670007/0 | 15 | 2 | p. 19 | |
| 118550217/1 | 83 | 1 | p. 41 | 124487998/0 | 1 | 1 | p. 3 | 125670022/0 | 30 | 1 | p. 19 | |
| 118550220/0 | 82 | 1 | p. 41 | 124487998/0 | 41 | 3 | p. 17 | 125670023/0 | 22 | 1 | p. 9 | |
| 118550223/0 | 76 | 1 | p. 41 | 124487999/0 | 9 | 1 | p. 35 | 125722477/0 | 40 | 1 | p. 7 | |
| 118550224/0 | 75 | 1 | p. 41 | 124487999/0 | 31 | 1 | p. 35 | 125795001/1 | 1 | 1 | p. 27 | |
| 118550225/1 | 21 | 1 | p. 39 | 125020804/0 | 5 | 1 | p. 19 | 125840011/1 | 22 | 1 | p. 35 | |
| 118550226/0 | 78 | 1 | p. 41 | 125020805/0 | 5 | 1 | p. 19 | 125840012/0 | 38 | 3 | p. 17 | |
| 118550227/0 | 72 | 1 | p. 41 | 125033109/0 | 27 | 1 | p. 17 | 125943006/0 | 2 | 4 | p. 27 | |
| 118550231/0 | 66 | 1 | p. 41 | 125033113/0 | 42 | 1 | p. 13 | 125943008/0 | 2 | 4 | p. 35 | |
| 118550232/0 | 64 | 1 | p. 41 | 125034002/1 | 47 | 4 | p. 9 | 125943009/0 | 4 | 8 | p. 5 | |
| 118550234/1 | 7 | 1 | p. 39 | 125038002/1 | 31 | 2 | p. 13 | 125943009/0 | 5 | 2 | p. 5 | |
| 118550235/0 | 6 | 1 | p. 39 | 125040635/0 | 31 | 1 | p. 19 | 125943009/0 | 9 | 2 | p. 17 | |
| 118550236/0 | 5 | 1 | p. 39 | 125040636/1 | 13 | 1 | p. 17 | 125943009/0 | 11 | 2 | p. 17 | |
| 118550237/0 | 4 | 1 | p. 39 | 125065002/0 | 53 | 1 | p. 27 | 125943009/0 | 12 | 4 | p. 3 | |
| 118550239/1 | 19 | 1 | p. 39 | 125122200/2 | 61 | 4 | p. 9 | 125943009/0 | 15 | 6 | p. 3 | |
| 118550242/0 | 63 | 1 | p. 41 | 125160016/0 | 53 | 1 | p. 9 | 125943009/0 | 17 | 2 | p. 3 | |
| 118550243/0 | 69 | 1 | p. 41 | 125160021/0 | 11 | 1 | p. 13 | 125943009/0 | 18 | 2 | p. 3 | |
| 118550288/0 | 65 | 1 | p. 41 | 125160027/0 | 32 | 1 | p. 13 | 125943009/0 | 25 | 4 | p. 5 | |
| 118550330/1 | 79 | 1 | p. 41 | 125160049/0 | 33 | 1 | p. 19 | 125943009/0 | 40 | 12 | p. 3 | |
| 118550331/1 | 16 | 1 | p. 39 | 125160052/0 | 26 | 1 | p. 19 | 125943010/0 | 10 | 4 | p. 5 | |
| 118550332/1 | 31 | 1 | p. 39 | 125160058/0 | 42 | 2 | p. 15 | 125943010/0 | 12 | 4 | p. 7 | |
| 118550347/0 | 73 | 1 | p. 41 | 125160068/0 | 51 | 2 | p. 13 | 125943010/0 | 18 | 2 | p. 7 | |
| 118550354/1 | 29 | 1 | p. 39 | 125160071/0 | 6 | 2 | p. 23 | 125943010/0 | 19 | 2 | p. 5 | |
| 118550355/1 | 71 | 1 | p. 41 | 125160072/0 | 48 | 2 | p. 19 | 125943010/0 | 26 | 1 | p. 7 | |
| 118550365/1 | 30 | 1 | p. 39 | 125160074/0 | 3 | 2 | p. 35 | 125943010/0 | 36 | 2 | p. 7 | |
| 118550432/0 | 28 | 1 | p. 39 | 125160077/0 | 27 | 2 | p. 3 | 125943011/0 | 19 | 4 | p. 23 | |
| 118550440/0 | 80 | 1 | p. 41 | 125160082/0 | 44 | 2 | p. 19 | 125950000/0 | 47 | 2 | p. 15 | |
| 118550442/0 | 81 | 1 | p. 41 | 125160083/0 | 23 | 1 | p. 13 | 125950000/0 | 63 | 2 | p. 9 | |
| 118550443/0 | 52 | 1 | p. 41 | 125253004/0 | 23 | 2 | p. 35 | 127430600/0 | 8 | 1 | p. 5 | |
| 118550443/0 | 74 | 1 | p. 41 | 125270802/0 | 5 | 1 | p. 25 | 127590066/0 | 64 | 2 | p. 11 | |
| 118550445/0 | 70 | 1 | p. 41 | 125270803/0 | 6 | 1 | p. 25 | 127598060/0 | 12 | 1 | p. 27 | |
| 118550446/0 | 51 | 1 | p. 41 | 125394509/1 | 41 | 1 | p. 13 | 127943051/0 | 11 | 2 | p. 9 | |
| 118550448/0 | 13 | 1 | p. 39 | 125430213/0 | 46 | 1 | p. 13 | 133215000/0 | 15 | 2 | p. 29 | |
| 118550510/0 | 68 | 1 | p. 41 | 125430245/0 | 18 | 1 | p. 35 | 133215000/0 | 15 | 2 | p. 31 | |
| 118550511/0 | 67 | 1 | p. 41 | 125430261/0 | 5 | 1 | p. 17 | 133340036/0 | 16 | 1 | p. 29 | |
| 118550516/0 | 2 | 1 | p. 39 | 125430262/0 | 34 | 1 | p. 13 | 133340036/0 | 16 | 1 | p. 31 | |
| 118550526/0 | 32 | 1 | p. 39 | 125430263/0 | 28 | 2 | p. 3 | 133340040/0 | 16 | 1 | p. 29 | |
| 118550529/0 | 59 | 2 | p. 41 | 125430264/0 | 31 | 2 | p. 3 | 133340040/0 | 16 | 1 | p. 31 | |
| 118550530/0 | 55 | 1 | p. 41 | 125430265/1 | 8 | 1 | p. 29 | 133500007/0 | 17 | 2 | p. 29 | |
| 118550531/0 | 58 | 1 | p. 41 | 125430265/1 | 8 | 1 | p. 31 | 133500007/0 | 17 | 2 | p. 31 | |
| 118550532/0 | 57 | 1 | p. 41 | 125430277/0 | 39 | 1 | p. 19 | 135061508/0 | 11 | 1 | p. 19 | |
| 118550533/0 | 60 | 1 | p. 41 | 125430277/0 | 39 | 1 | p. 19 | 135062020/1 | 20 | 1 | p. 13 | |
| 118550534/0 | 85 | 1 | p. 41 | 125430282/0 | 36 | 1 | p. 5 | 182000215/0 | 36 | 1 | p. 27 | |
| 118550535/0 | 84 | 1 | p. 41 | 125463200/0 | 65 | 2 | p. 21 | 182000598/0 | 62 | 2 | p. 9 | |
| 118550762/0 | 26 | 1 | p. 39 | 125510021/1 | 8 | 1 | p. 35 | 182004358/0 | 64 | 1 | p. 21 | |
| 118550763/0 | 20 | 1 | p. 39 | 125510022/1 | 27 | 2 | p. 35 | 182004359/0 | 64 | 1 | p. 21 | |
| 118562996/0 | 6 | 1 | p. 27 | 125510077/0 | 17 | 1 | p. 35 | 182004360/0 | 71 | 1 | p. 21 | |
| 118564864/1 | 54 | 1 | p. 27 | 125510079/0 | 2 | 2 | p. 3 | 182004361/0 | 71 | 1 | p. 21 | |
| 118736111/0 | 51 | 1 | p. 27 | 125510080/1 | 34 | 1 | p. 5 | 182040174/0 | 28 | 1 | p. 29 | |
| 118737849/0 | 14 | 1 | p. 27 | 125510103/0 | 38 | 2 | p. 9 | 182040174/0 | 28 | 1 | p. 31 | |
| 118738231/1 | 28 | 1 | p. 27 | 125510104/0 | 21 | 1 | p. 9 | 182040191/0 | 20 | 1 | p. 29 | |
| 118802721/0 | 14 | 1 | p. 15 | 125510107/1 | 35 | 3 | p. 17 | 182040191/0 | 20 | 1 | p. 31 | |
| 119035000/0 | 3 | 2 | p. 19 | 125510109/0 | 23 | 1 | p. 9 | 182040191/0 | 20 | 1 | p. 31 | |
| 119216048/0 | 24 | 1 | p. 19 | 125510109/0 | 23 | 1 | p. 9 | 182040199/0 | 1 | 1 | p. 29 | |
| 119216049/0 | 6 | 4 | p. 19 | 125510116/0 | 10 | 1 | p. 13 | 182040199/0 | 1 | 1 | p. 31 | |
| 119410605/1 | 22 | 1 | p. 29 | 125520007/0 | 7 | 1 | p. 9 | 182040200/0 | 1 | 1 | p. 29 | |
| 119410605/1 | 22 | 1 | p. 31 | 125570003/0 | 10 | 1 | p. 9 | 182040200/0 | 1 | 1 | p. 31 | |
| 119410609/1LC | 13 | 1 | p. 15 | 125580040/0 | 28 | 2 | p. 35 | 182040200/0 | 1 | 1 | p. 31 | |
| 119410613/0 | 19 | 3 | p. 29 | 125590015/0 | 48 | 2 | p. 15 | 182105942/0 | 25 | 1 | p. 25 | |
| | | | | 125590020/0 | 64 | 2 | p. 9 | 182180090/0 | 25 | 1 | p. 29 | |
| | | | | 125601554/0 | 28 | 1 | p. 13 | 182180090/0 | 25 | 1 | p. 31 | |
| | | | | 125601571/0 | 12 | 2 | p. 19 | 182700005/0 | 49 | 2 | p. 19 | |

| code | pos. | q.ty | page | | | | | | | | | | |
|-------------|------|------|-------|-------------|----|---|-------|-------------|----|---|-------|--|--|
| 182750010/0 | 24 | 1 | p. 27 | 325547233/0 | 25 | 1 | p. 9 | 382004620/0 | 15 | 1 | p. 17 | | |
| 322110239/0 | 45 | 2 | p. 15 | 325547299/0 | 6 | 1 | p. 5 | 382033119/0 | 6 | 1 | p. 35 | | |
| 322110239/0 | 68 | 2 | p. 11 | 325547320/0 | 19 | 1 | p. 35 | 382034030/0 | 45 | 1 | p. 9 | | |
| 322672151/0 | 20 | 1 | p. 9 | 325580508/0 | 30 | 1 | p. 7 | 382180028/0 | 32 | 1 | p. 35 | | |
| 325033086/0 | 2 | 2 | p. 19 | 325600090/0 | 5 | 1 | p. 29 | 382180121/0 | 40 | 1 | p. 5 | | |
| 325038006/0 | 7 | 2 | p. 17 | 325600090/0 | 5 | 1 | p. 31 | 382180122/0 | 31 | 1 | p. 25 | | |
| 325038007/0 | 40 | 2 | p. 9 | 325600093/0 | 25 | 1 | p. 35 | 382180124/0 | 70 | 1 | p. 11 | | |
| 325038008/0 | 6 | 1 | p. 9 | 325601599/0 | 21 | 1 | p. 13 | 382185502/0 | 2 | 1 | p. 7 | | |
| 325055000/0 | 1 | 1 | p. 39 | 325601599/0 | 43 | 1 | p. 19 | 382185503/0 | 3 | 1 | p. 7 | | |
| 325055001/0 | 1 | 1 | p. 39 | 325605003/0 | 26 | 1 | p. 29 | 382207205/1 | 4 | 1 | p. 19 | | |
| 325055002/0 | 1 | 1 | p. 39 | 325605003/0 | 26 | 1 | p. 31 | 382207206/1 | 4 | 1 | p. 19 | | |
| 325060034/1 | 35 | 1 | p. 15 | 325650151/0 | 28 | 1 | p. 5 | 382230373/0 | 41 | 1 | p. 9 | | |
| 325060168/0 | 12 | 1 | p. 23 | 325650153/0 | 29 | 1 | p. 5 | 382230375/0 | 42 | 1 | p. 9 | | |
| 325060169/0 | 14 | 1 | p. 23 | 325650155/0 | 41 | 1 | p. 3 | 382263501/0 | 24 | 1 | p. 7 | | |
| 325076912/0 | 1 | 1 | p. 7 | 325650157/0 | 42 | 1 | p. 3 | 382318231/0 | 3 | 1 | p. 17 | | |
| 325076954/0 | 8 | 1 | p. 7 | 325650161/0 | 13 | 2 | p. 25 | 382318245/0 | 29 | 1 | p. 13 | | |
| 325076955/0 | 27 | 2 | p. 7 | 325650163/0 | 3 | 2 | p. 5 | 382318255/0 | 2 | 1 | p. 17 | | |
| 325108044/1 | 6 | 1 | p. 7 | 325670008/1 | 34 | 3 | p. 17 | 382318293/0 | 29 | 1 | p. 17 | | |
| 325108044/1 | 15 | 1 | p. 27 | 325670008/1 | 39 | 3 | p. 17 | 382318297/0 | 21 | 1 | p. 17 | | |
| 325108056/0 | 2 | 1 | p. 23 | 325670008/1 | 44 | 6 | p. 17 | 382547061/0 | 35 | 1 | p. 3 | | |
| 325108057/0 | 3 | 1 | p. 23 | 325670008/1 | 52 | 8 | p. 21 | 382547071/0 | 37 | 1 | p. 5 | | |
| 325108064/0 | 8 | 1 | p. 23 | 325670010/0 | 26 | 2 | p. 17 | 382564113/0 | 1 | 1 | p. 19 | | |
| 325108065/0 | 9 | 1 | p. 23 | 325670010/0 | 28 | 1 | p. 17 | 382598045/0 | 23 | 1 | p. 27 | | |
| 325109522/0 | 16 | 1 | p. 5 | 325670011/0 | 8 | 1 | p. 13 | 382650211/0 | 5 | 2 | p. 35 | | |
| 325110274/0 | 1 | 1 | p. 15 | 325670011/0 | 16 | 2 | p. 15 | 382722444/0 | 2 | 1 | p. 29 | | |
| 325110331/0 | 3 | 1 | p. 15 | 325670026/0 | 25 | 2 | p. 15 | 382722444/0 | 2 | 1 | p. 31 | | |
| 325110384/0 | 42 | 1 | p. 7 | 325735126/0 | 3 | 1 | p. 27 | 382785169/1 | 11 | 1 | p. 3 | | |
| 325110385/0 | 43 | 1 | p. 7 | 325735515/0 | 10 | 1 | p. 17 | 382785221/0 | 23 | 1 | p. 3 | | |
| 325110409/0 | 1 | 1 | p. 13 | 325735519/0 | 24 | 1 | p. 9 | 382785223/0 | 24 | 1 | p. 3 | | |
| 325110437/0 | 16 | 1 | p. 25 | 325743000/0 | 13 | 1 | p. 9 | 382785255/0 | 22 | 1 | p. 7 | | |
| 325110438/0 | 34 | 1 | p. 7 | 325755061/0 | 31 | 1 | p. 5 | 382785257/0 | 23 | 1 | p. 7 | | |
| 325110463/0 | 25 | 1 | p. 7 | 325774499/0 | 1 | 2 | p. 23 | 382785266/0 | 4 | 1 | p. 9 | | |
| 325120203/0 | 21 | 1 | p. 7 | 325774501/0 | 1 | 1 | p. 5 | 382800143/0 | 14 | 1 | p. 25 | | |
| 325120259/1 | 17 | 1 | p. 7 | 325774507/0 | 2 | 1 | p. 5 | 382800145/0 | 12 | 1 | p. 25 | | |
| 325122002/0 | 34 | 2 | p. 3 | 325774521/0 | 26 | 2 | p. 5 | 382800147/0 | 11 | 1 | p. 25 | | |
| 325140104/1 | 15 | 1 | p. 35 | 325774527/0 | 11 | 1 | p. 23 | 382820151/0 | 37 | 1 | p. 3 | | |
| 325140108/0 | 76 | 1 | p. 21 | 325774529/0 | 13 | 1 | p. 23 | 382869038/0 | 1 | 1 | p. 35 | | |
| 325160501/0 | 7 | 2 | p. 19 | 325774533/0 | 33 | 1 | p. 5 | 382869044/0 | 26 | 1 | p. 35 | | |
| 325207191/0 | 55 | 1 | p. 7 | 325774573/0 | 37 | 1 | p. 15 | | | | | | |
| 325207196/0 | 63 | 1 | p. 7 | 325785213/1 | 12 | 1 | p. 9 | | | | | | |
| 325207197/0 | 64 | 1 | p. 7 | 325785297/0 | 8 | 1 | p. 17 | | | | | | |
| 325207198/0 | 60 | 1 | p. 7 | 325785298/0 | 11 | 1 | p. 7 | | | | | | |
| 325207199/0 | 61 | 1 | p. 7 | 325785331/1 | 13 | 1 | p. 3 | | | | | | |
| 325253011/1 | 43 | 1 | p. 13 | 325785333/1 | 14 | 1 | p. 3 | | | | | | |
| 325256250/0 | 27 | 1 | p. 29 | 325785349/1 | 26 | 1 | p. 15 | | | | | | |
| 325256250/0 | 27 | 1 | p. 31 | 325785350/0 | 4 | 2 | p. 15 | | | | | | |
| 325260003/0 | 19 | 2 | p. 7 | 325785365/0 | 4 | 1 | p. 7 | | | | | | |
| 325270325/0 | 13 | 2 | p. 7 | 325785377/0 | 1 | 1 | p. 25 | | | | | | |
| 325280000/1 | 21 | 1 | p. 35 | 325785379/0 | 45 | 1 | p. 3 | | | | | | |
| 325318243/0 | 34 | 1 | p. 9 | 325785383/0 | 4 | 1 | p. 25 | | | | | | |
| 325318251/0 | 33 | 1 | p. 15 | 325785417/0 | 19 | 2 | p. 25 | | | | | | |
| 325318276/0 | 17 | 1 | p. 5 | 325785418/0 | 78 | 1 | p. 21 | | | | | | |
| 325318277/0 | 20 | 1 | p. 5 | 325785428/0 | 18 | 1 | p. 5 | | | | | | |
| 325318289/0 | 27 | 1 | p. 19 | 325820109/1 | 26 | 1 | p. 3 | | | | | | |
| 325394021/0 | 16 | 1 | p. 35 | 325820111/0 | 30 | 1 | p. 3 | | | | | | |
| 325394531/0 | 35 | 1 | p. 27 | 325840029/0 | 39 | 1 | p. 9 | | | | | | |
| 325394533/0 | 1 | 1 | p. 17 | 325869057/0 | 5 | 1 | p. 27 | | | | | | |
| 325394538/0 | 20 | 1 | p. 25 | 325961221/1 | 29 | 1 | p. 7 | | | | | | |
| 325500041/1 | 20 | 1 | p. 3 | 327546019/0 | 8 | 1 | p. 15 | | | | | | |
| 325500043/1 | 21 | 1 | p. 3 | 382000565/0 | 51 | 2 | p. 19 | | | | | | |
| 325547225/0 | 5 | 1 | p. 3 | 382000566/2 | 31 | 1 | p. 9 | | | | | | |
| 325547227/0 | 6 | 1 | p. 3 | 382000573/1 | 15 | 1 | p. 15 | | | | | | |
| 325547231/0 | 4 | 2 | p. 13 | 382000574/2 | 2 | 1 | p. 15 | | | | | | |
| 325547231/0 | 5 | 2 | p. 15 | 382000597/0 | 46 | 2 | p. 15 | | | | | | |
| 325547231/0 | 23 | 2 | p. 17 | 382000636/0 | 5 | 1 | p. 13 | | | | | | |
| 325547231/0 | 31 | 1 | p. 17 | 382000641/0 | 2 | 1 | p. 13 | | | | | | |
| | | | | 382004618/0 | 32 | 1 | p. 19 | | | | | | |