



## ***Reservdelskatalog Parts Catalogue***

# ***ESTATE 6102 HW***

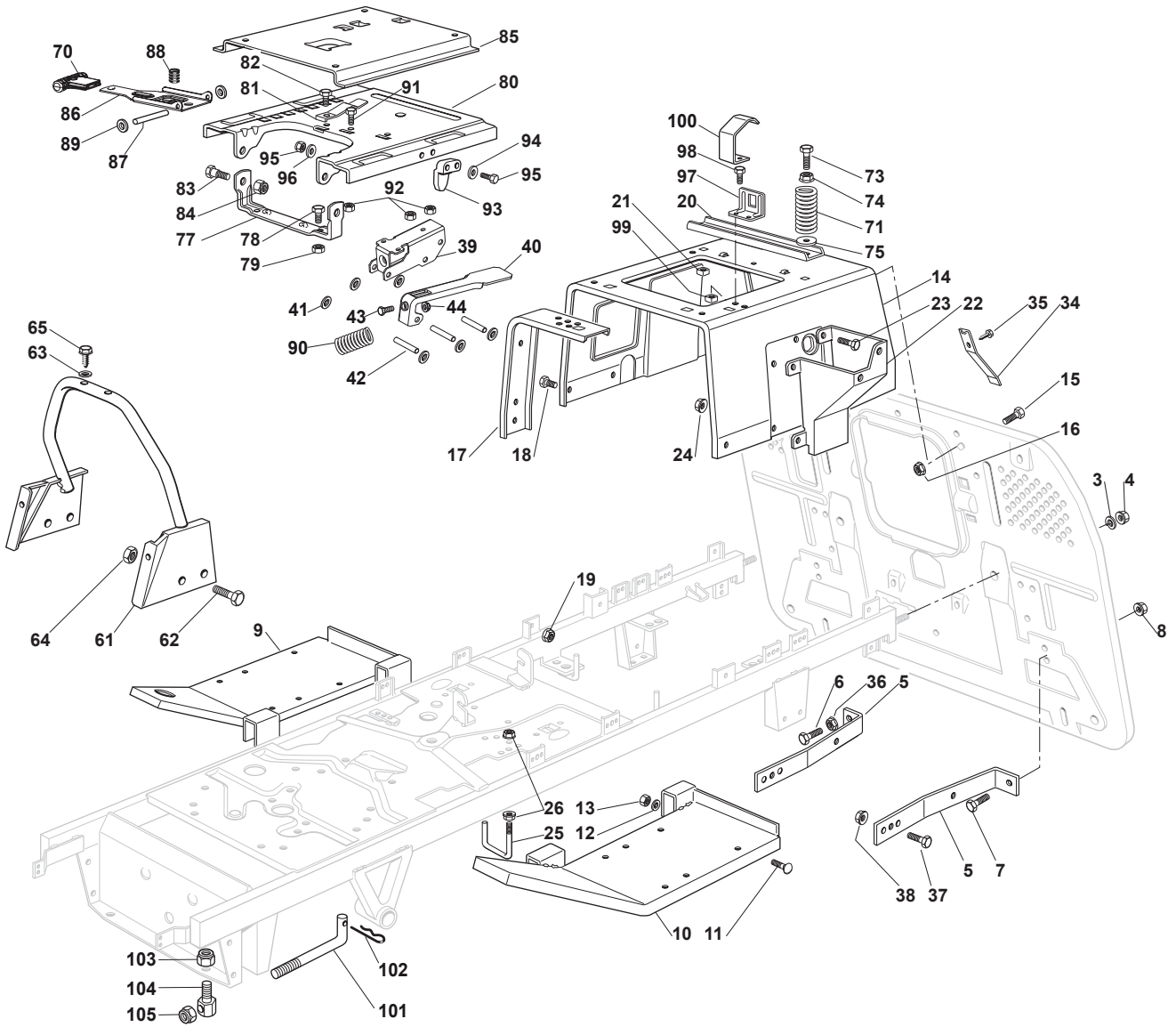
***2T0970281/14 - Season 2016***

- Use GLOBAL GARDEN PRODUCT Genuine Spare Parts specified in the parts list for repair and/or replacement.
  - The contents described in the parts list may change due to improvement.
  - The drawings of the spare parts are only indicative and might not represent the part in question exactly.
  - The indications "right" - "left" - "front" - "rear" refer to the position of the operator when using the machine.
- When placing orders of parts for repair and/or replacement, make sure that the illustrated parts list is the one applying to the machine's year of manufacture, as shown on the identification plate attached to the machine.

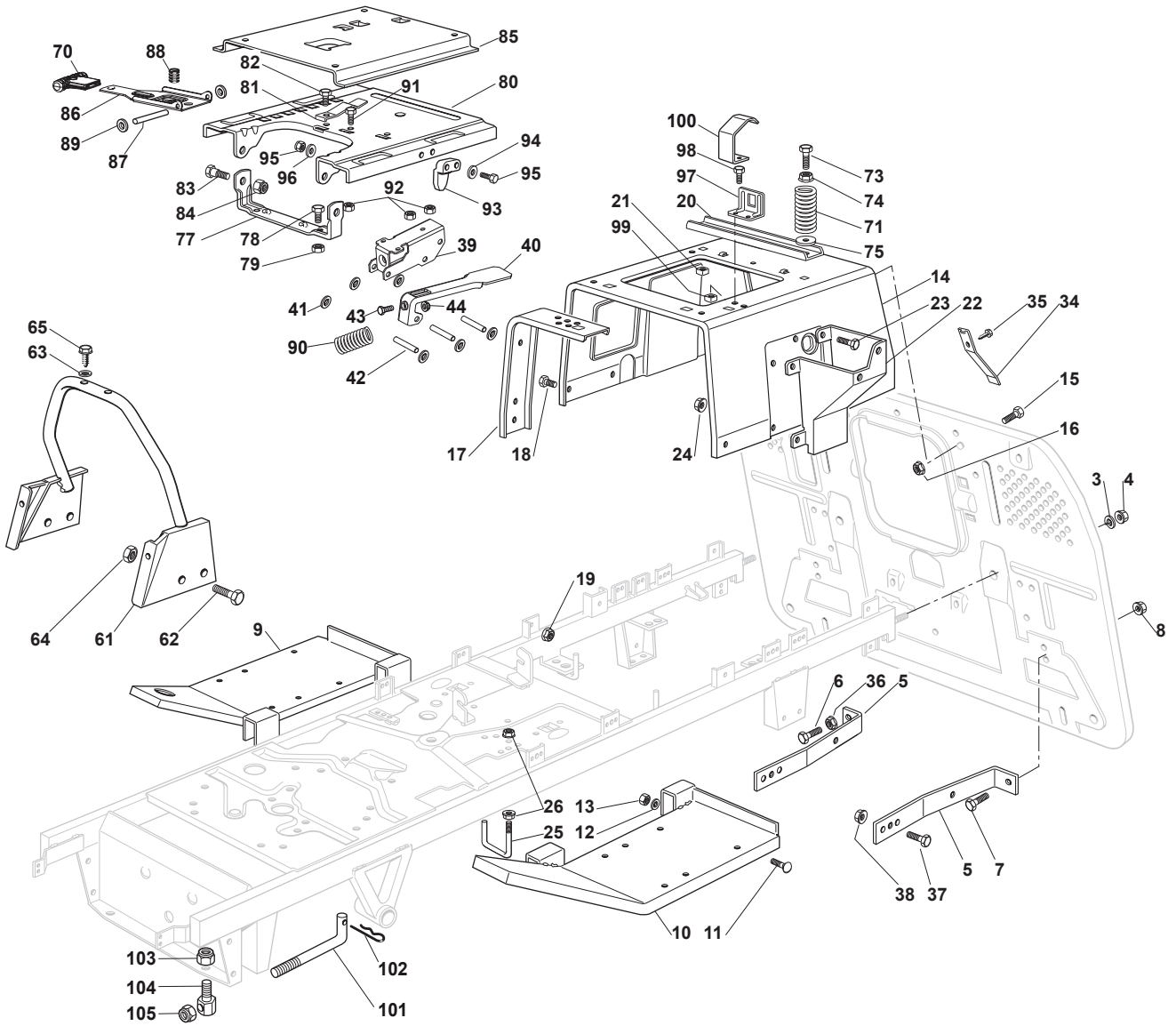
© Copyright 2016 Global Garden Products

All rights reserved. No part of this material may be reproduced or transmitted, in any form or by any means, electronic or mechanical, including photocopying, recording or by any information storage and retrieval system, without permission in writing from GLOBAL GARDEN PRODUCTS.

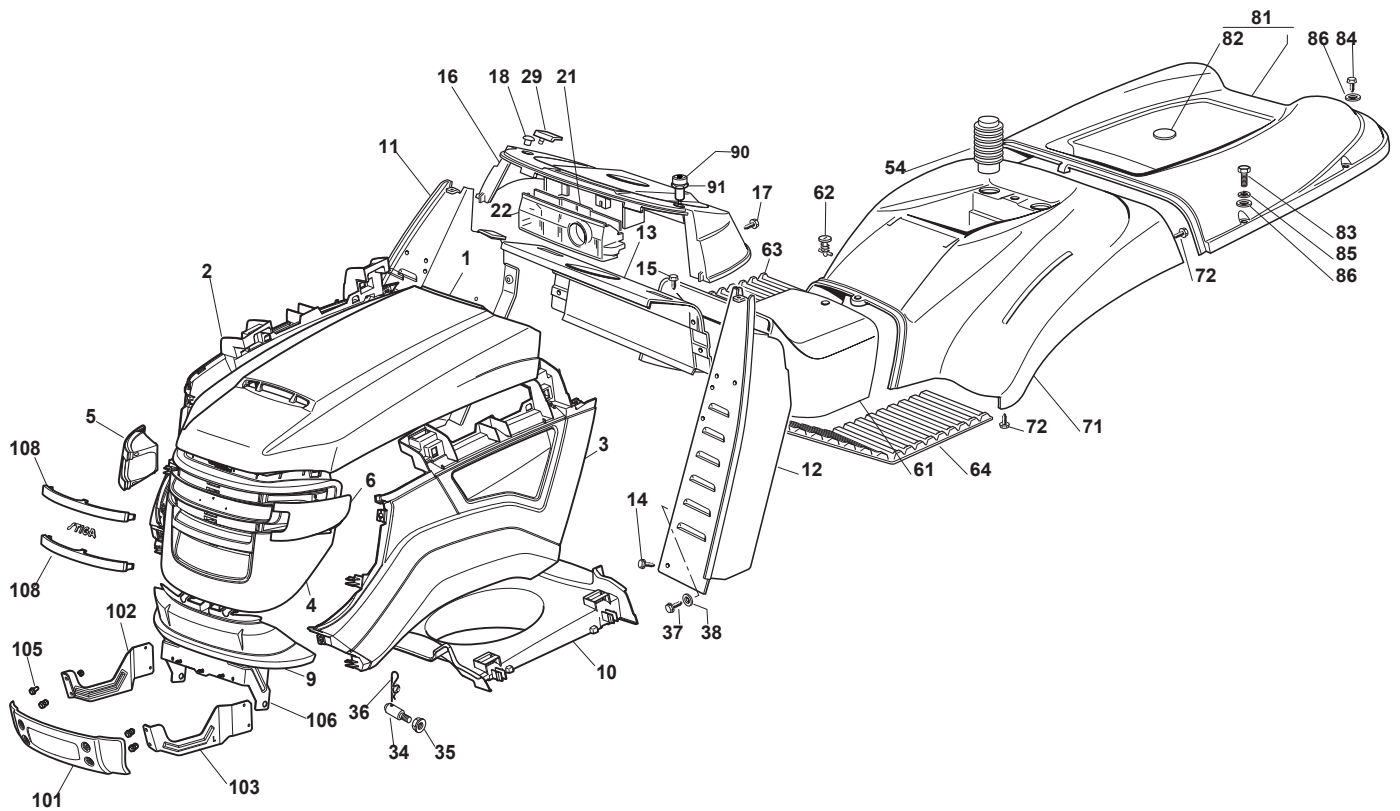
*[www.stiga.com](http://www.stiga.com)*



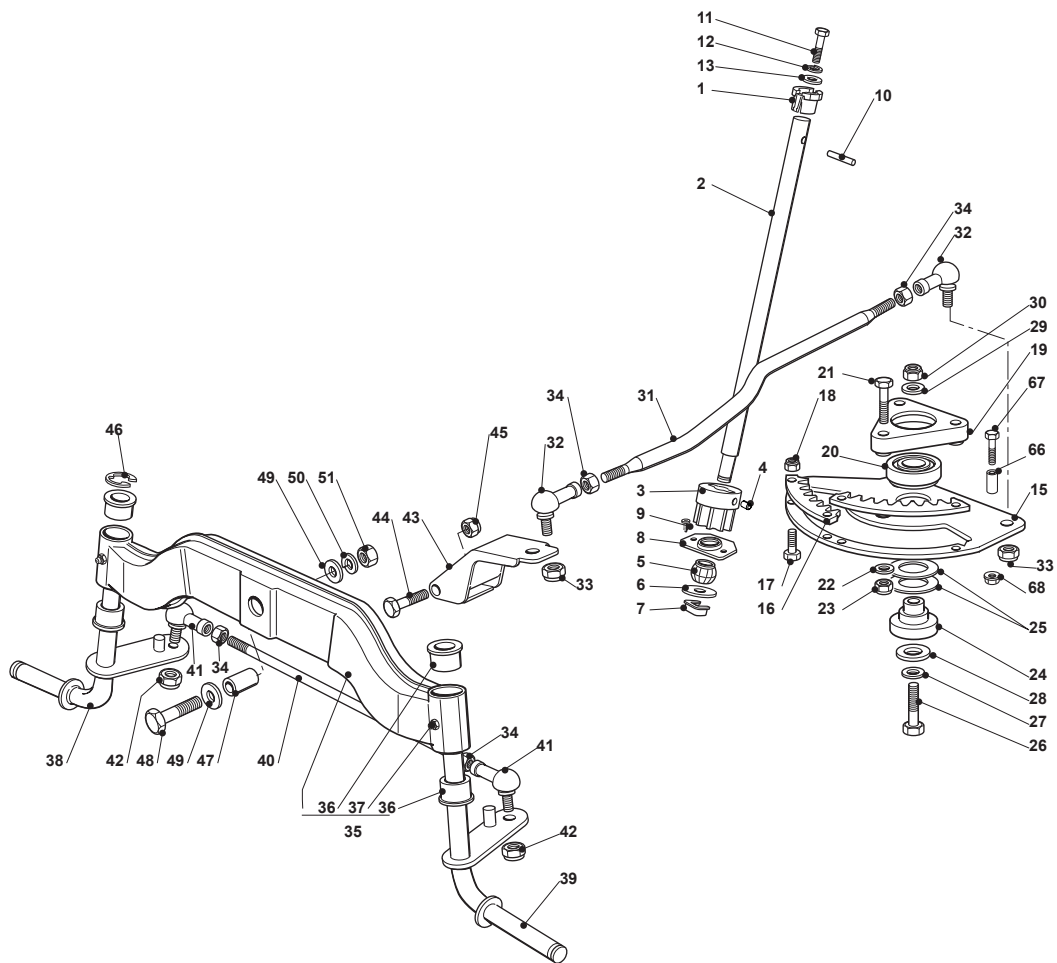
Utgåva Issue 3 - 2016		Kaross	Chassis		
Pos. Fig.	Antal Q.ty	Art nr Part No	Benämning	Description	Anmärkning Notes
3	2	112585100/0	Bricka	Washer	
4	2	112295200/0	Mutter	Nut	
5	2	325774273/1	Förstärkningsstag	Stiffening	
6	1	112691100/0	Skruv	Screw	
7	3	112793102/0	Skruv	Screw	
8	4	112293201/0	Mutter	Nut	
9	1	382510041/2	Fotstegsstöd-hö	Right Footboard Support	
10	1	382510043/2	Fotstegsstöd-vä	Left Footboard Support	
11	4	112815245/0	Skruv	Screw	
12	4	112523040/0	Bricka	Washer	
13	4	112154510/0	Mutter	Nut	
14	1	325785133/5	Sitsfäste	Seat Support	
15	5	112791011/0	Skruv	Screw	
16	5	112292102/0	Mutter	Nut	
17	2	325650065/0	Förstärkning	Stiffening	
18	6	112791011/0	Skruv	Screw	
19	6	112292102/0	Mutter	Nut	
20	1	325650067/0	Förstärkning	Stiffening	
21	2	112360420/0	Mutter	Nut	
22	1	325785137/1	Fäste	Support	
23	4	112791011/0	Skruv	Screw	
24	4	112292102/0	Mutter	Nut	
25	1	125580019/0	Remstyrning	Belt Guide Peg	
26	2	112292102/0	Mutter	Nut	
34	1	125430238/1	Fjäder	Spring	
35	1	112731580/0	Skruv	Screw	
36	1	112293200/0	Mutter	Nut	
37	2	112793102/0	Skruv	Screw	
38	2	112293201/0	Mutter	Nut	
39	1	325774575/0	Fulcrum Klämma	Fulcrum Clamp	
40	1	325318327/0	Spak	Lever	
41	6	112604896/0	Starlock P6493 6	Crown Fastener	
42	3	122517866/0	Stift	Pin	
43	1	112735661/0	Skruv	Screw	
44	1	112154510/0	Mutter	Nut	
61	1	382650045/0	Central Stiffening	Chassis	
62	4	112792611/0	Skruv	Screw	
63	2	112521330/0	Bricka	Washer	
64	4	112292102/0	Mutter	Nut	
65	2	112731350/0	Skruv	Screw	
70	1	322394505/0	Knopp	Knob	
71	2	125430205/1	Fjäder	Spring	
73	2	125943001/1	Skruv	Screw	
74	2	112293201/0	Mutter	Nut	
75	2	112523070/0	Bricka	Washer	
77	1	382774207/0	Fäste	Seat Clamp Support	
78	2	112792611/0	Skruv	Screw	
79	2	112293201/0	Mutter	Nut	
80	1	325785149/3	Sitsstöd	Fixed Seat Support	



Utgåva Issue 3 - 2016		Kaross Chassis			
Pos. Fig.	Antal Q.ty	Art nr Part No	Benämning	Description	Anmärkning Notes
81	1	125430203/1	Fjäder	Spring	
82	1	112731580/0	Skruv	Screw	
83	2	122524970/2	Stift	Fulcrum Pin	
84	2	112155010/0	Mutter	Nut	
85	1	325785147/2	Sitsfäste	Seat Support	
86	1	325318303/0	Stopparm	Stop Lever	
87	1	125510000/0	Stift	Pin	
88	1	125430202/1	Fjäder	Spring	
89	2	112604897/0	Bricka	Elastic Washer	
90	1	125430285/0	Fjäder	Spring	
91	1	112789000/0	Skruv	Screw	
92	1	112154330/0	Mutter	Nut	
93	1	325060049/0	Kam	Seat Switch Cam	
94	2	112815050/0	Skruv	Screw	
95	4	112521320/0	Bricka	Washer	
96	2	112154330/0	Mutter	Nut	
97	1	325755025/1	Vinkelfäste	Bracket	
98	2	112735110/0	Skruv	Screw	
99	2	112437502/0	Plat	Plate	
100	1	325430255/0	Fjäder	Spring	
101	2	125510119/0	Stag	Tie Rod	
102	2	124487997/0	Lasnal	Cotter Pin	
103	2	125510040/1	Stift	Pin	
104	2	112155000/0	Mutter	Nut	
105	2	112155000/0	Mutter	Nut	

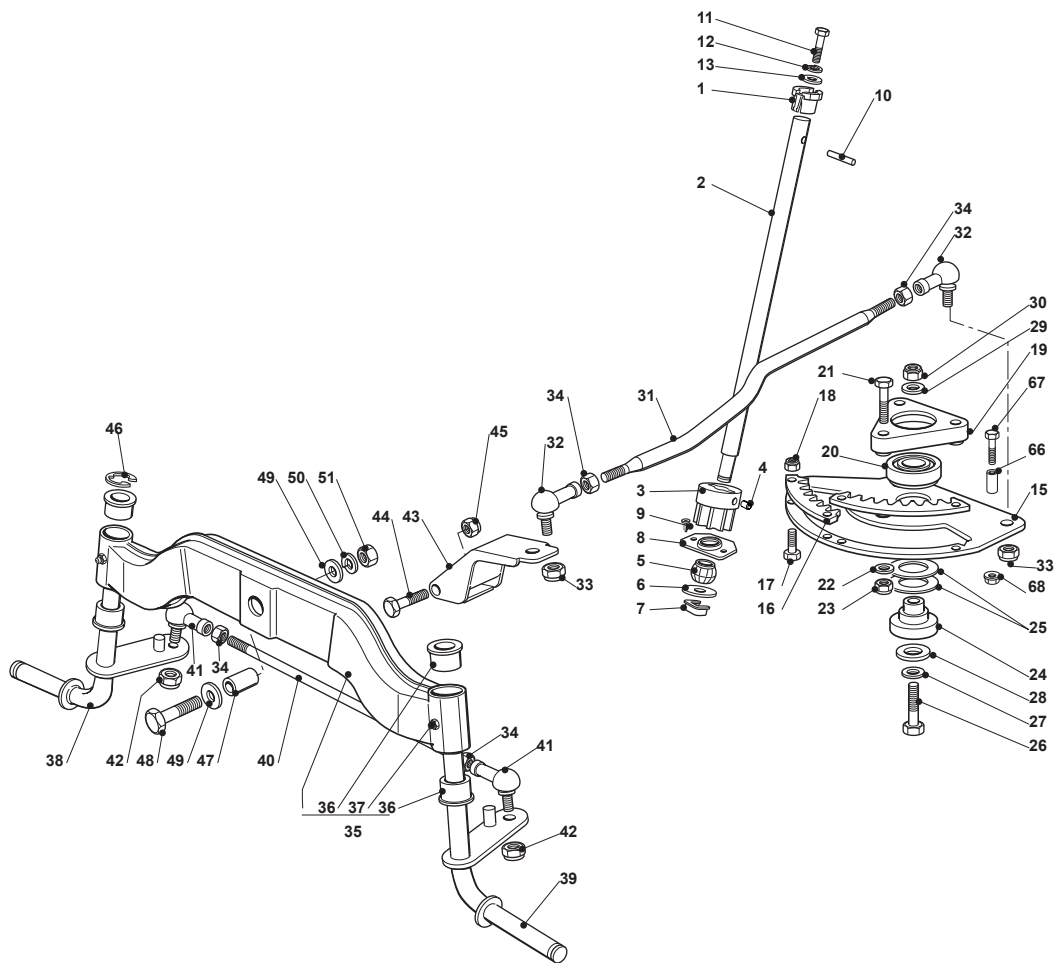


Utgåva Issue 3 - 2016		Kaross	Body		
Pos. Fig.	Antal Q.ty	Art nr Part No	Benämning	Description	Anmärkning Notes
1	1	325076866/0	Huv, gul	Upper Engine Hood, Yellow	
2	1	382394645/0	Side Hood, Right	Side Hood, Right	
3	1	382394646/0	Side Hood, Left	Side Hood, Left	
4	1	325076953/0	Lower Grey Hood, Front	Lower Grey Hood, Front	
5	1	382185500/1	Grill-Hö	Right Grill	
6	1	382185501/1	Grill-Vä	Left Grill	
8	11	112735403/0	Skruv	Screw	
9	1	325076959/1	Lower Grey Hood, Front	Lower Grey Hood, Front	
10	1	325108031/0	Luftledare	Conveyor	
11	1	382785022/9	Panelstöd-hö	Right Dashboard Support	
12	1	382785021/8	Panelfäste, vänster	Left Dashboard Support	
13	1	382785137/0	Panelstöd-Mittre	Central Dashboard Support	
14	2	112735110/0	Skruv	Screw	
15	4	112735110/0	Skruv	Screw	
16	1	325120258/0	Panel svart	Black Dashboard	
17	4	112728440/0	Skruv	Screw	
18	2	125120200/0	Plugg	Cap	
21	1	125600009/0	Skydd-Elektronikkort	Rear Card Protection	
22	1	125600051/0	Skydd-Elektronikkort	Protection	
29	2	125260000/0	Skydd	Grommet	
34	2	125510079/1	Stift	Pin	
35	2	112293201/0	Mutter	Nut	
36	1	124487998/0	Fjäder Clip	Cotter Pin	
37	2	112731350/0	Skruv	Screw	
38	2	112521330/0	Bricka	Washer	
54	2	325122000/2	Fjäder	Spring	
61	1	325110466/0	Grey Central Cover	Grey Central Cover	
62	1	125580020/2	Stift	Stake	
63	1	325110278/1	Fotstegsskydd-hö	Right Footboard Cover	
64	1	325110279/0	Fotstegsskydd-Vä	Left Footboard Cover	
71	1	325599018/0	Panelstöd-Va	Left, Footboard Profile	
72	4	325599017/0	Panelstöd-hö	Right, Footboard Profile	
81	1	112731580/0	Skruv	Screw	
82	1	325785449/0	Panel	Black Dashboard Support	
83	2	112735403/0	Skruv	Screw	
84	4	325109754/0	Hjulkapa-Gul   Hjulkapa-gul	Yellow Wheels Cover	
85	2	112735402/0	Skruv	Screw	
86	6	325109793/0	Skärm, Höger	Right Wheel Cover	
90	1	325605003/0	Knapp	Button	
91	1	325256250/0	Skruv	Screwed Ring	
101	1	382263503/0	Stötfångare	Bumper	
102	2	382785251/0	Right Support	Right Support	
103	4	382785253/0	Left Support	Left Support	
105	4	112800815/0	Skruv	Screw	
106	1	325774301/2	Huvstöd	Engine Hood Support	
108	1	325076956/0	Frontal Moulding	Frontal Moulding	

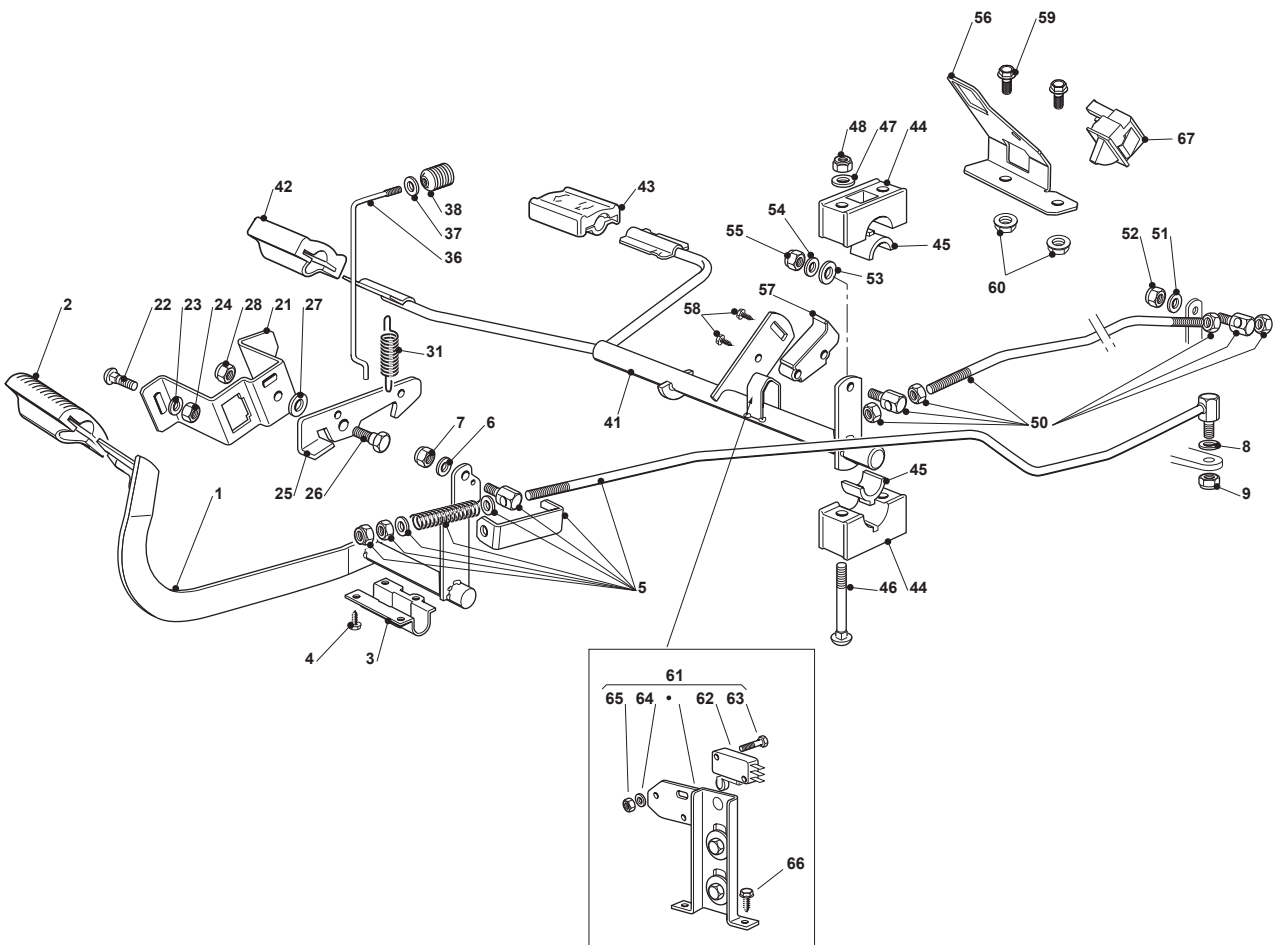




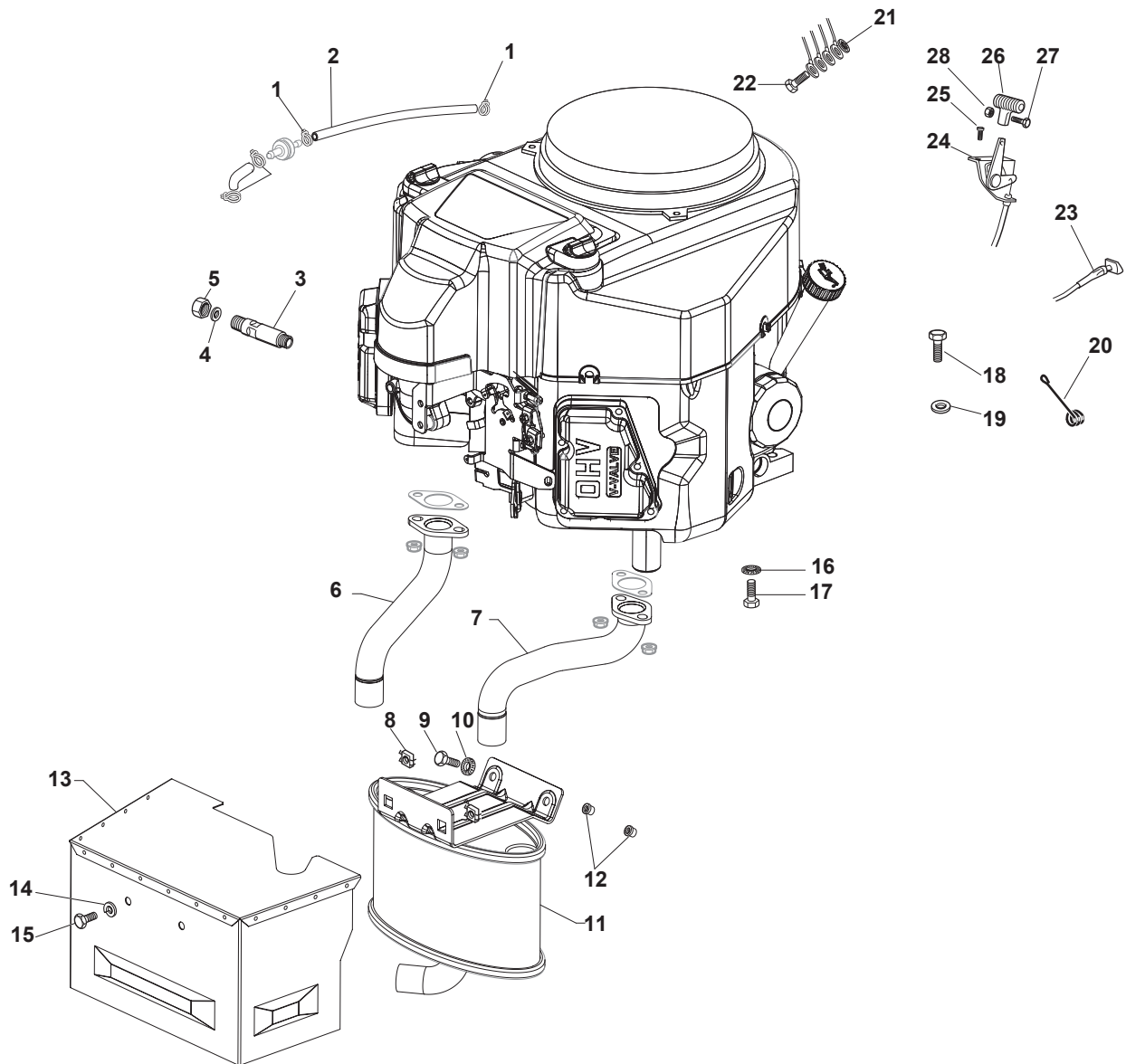
Utgåva Issue 3 - 2016		Steering			
Pos. Fig.	Antal Q.ty	Art nr Part No	Benämning	Description	Anmärkning Notes
1	1	325038004/0	Bussning	Bushing	
2	1	125520010/0	Rattstang	Steering Column	
3	1	125570004/0	Drev	Pinion	
4	1	112714300/0	Dowel	Dowel	
5	1	325743000/0	Länk	Joint	
6	1	112521370/0	Bricka	Washer	
7	1	112436030/0	Plat	Plate	
8	1	325785213/1	Fäste	Support	
9	2	112729601/1	Skruv	Screw	
10	1	112620250/0	Spännstift	Pin	
11	1	112691800/0	Skruv	Screw	
12	1	112583500/0	Lasbricka	Grower	
13	1	112523060/0	Bricka	Washer	
15	1	325735523/0	Höjdsegment	Steering Sector	
16	2	325150000/0	Rack	Rack	
17	4	112791213/1	Skruv	Screw	
18	4	112154510/0	Mutter	Nut	
19	1	325774453/0	Fäste	Clamp	
20	1	119216047/0	Kullager	Bearing	
21	3	112691100/0	Skruv	Screw	
22	3	112523060/0	Bricka	Washer	
23	3	112155000/0	Mutter	Nut	
24	1	125510120/0	Fäste	Support	
25	2	322672153/0	Bricka	Antifriction Washer	
26	1	112692395/0	Skruv	Screw	
27	1	112523080/0	Bricka	Washer	
28	1	112521390/0	Bricka	Washer	
29	1	112523080/0	Bricka	Washer	
30	1	112156602/0	Mutter	Nut	
31	1	125033003/1	Styrstag	Steering Rod	
32	2	122746600/0	Länk	Joint	
32	2	122746616/0	Länk	Joint	
33	2	122746609/0	Länk	Joint	
34	4	112156602/0	Mutter	Nut	
35	1	382034001/3	Bussning	Equalizer With Bush And Lubricator	
36	4	125034002/1	Bussning	Bushing	
37	2	112379511/0	Smörjnippel	Grease Dispenser	
38	1	382230361/0	Spindel-Hö	Right Stub Axle	
39	1	382230359/0	Hjulspindel-vä	Left Stub Axle	
40	1	325840001/0	Stag	Tie Rod	
41	2	122746616/0	Länk	Joint	
42	2	112156602/0	Mutter	Nut	
43	1	382318185/0	Styrmarm	Lever Ass.Y	
44	1	112692395/0	Skruv	Screw	
45	1	112155000/0	Mutter	Nut	
46	1	112001000/0	Lasring	Benzing Ring	
47	1	125160005/0	Distans	Spacer	
48	1	112694100/0	Skruv	Screw	
49	2	112521390/0	Bricka	Washer	



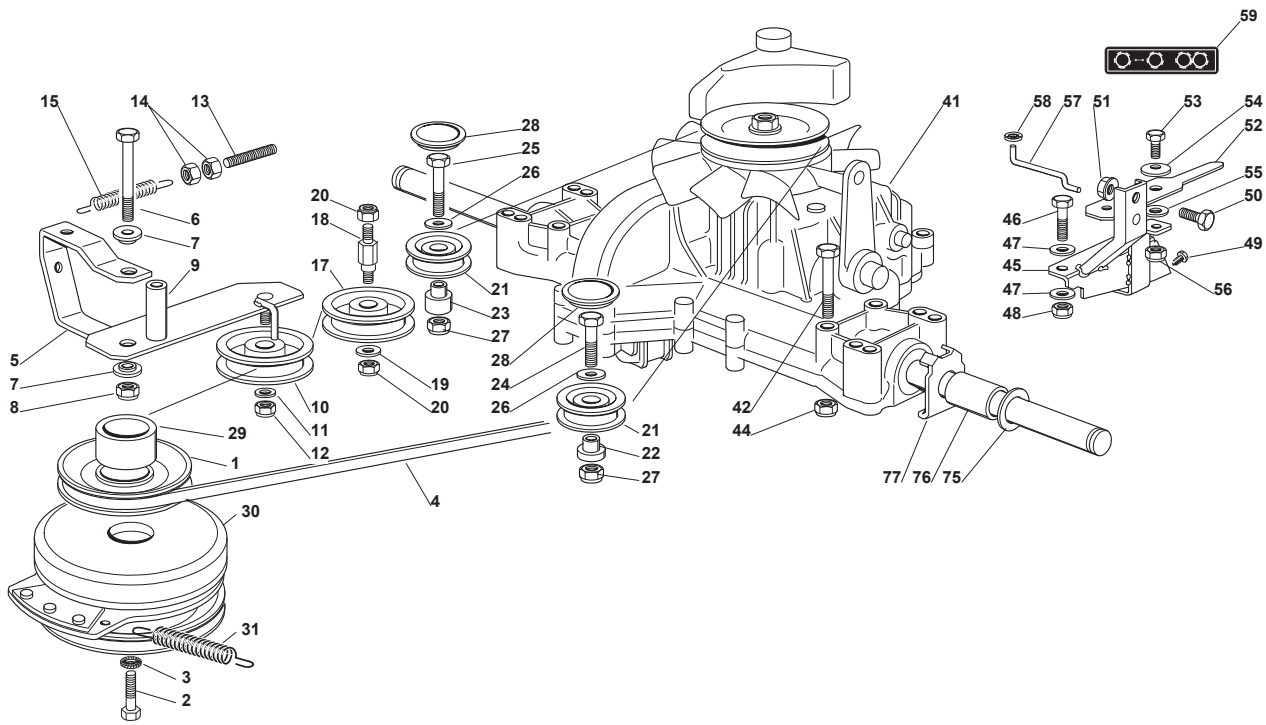
Utgåva Issue 3 - 2016		Steering			
Pos. Fig.	Antal Q.ty	Art nr Part No	Benämning	Description	Anmärkning Notes
50	1	112587900/0	Lasbricka	Grower	
51	1	112295800/0	Mutter	Nut	
66	1	122167840/0	Distans	Spacer	
67	1	112691200/0	Skruv	Screw	
68	1	112293201/0	Mutter	Nut	



Utgåva Issue 3 - 2016		Broms och växelreglage		Brake And Gearbox Controls	
Pos. Fig.	Antal Q.ty	Art nr Part No	Benämning	Description	Anmärkning Notes
61	1	382394853/OLC	Microbrytare	Switch Ass.Y	
1	1	382500011/2	Bromspedal	Pedal	
2	1	325110416/0	Fäste	Clamp Cover	
3	1	325547081/2	Plåt	Plate	
4	4	112731601/0	Skruv	Screw	
5	1	382000582/0	Stang	Rod	
6	1	112521350/0	Bricka	Washer	
7	1	112155000/0	Mutter	Nut	
8	2	112521360/0	Bricka	Washer	
9	1	112155000/0	Mutter	Nut	
21	1	325785143/1	Fäste	Support	
22	2	112815210/0	Skruv	Screw	
23	1	112523040/0	Bricka	Washer	
24	2	112154510/0	Mutter	Nut	
25	1	325253001/0	Spärr	Hook	
26	1	122524970/2	Stift	Fulcrum Pin	
27	1	325670011/0	Bricka	Antifriction Washer	
28	1	112155000/0	Mutter	Nut	
31	1	125430213/0	Fjäder	Spring	
36	1	125033034/0	P-Bromsarm	Rod	
37	1	125394509/1	Knopp	Knob	
38	1	112523020/0	Bricka	Washer	
41	1	382000391/1	Drivpedal	Drive Pedal	
42	1	325110417/0	Fäste	Clamp Cover Front	
43	1	325110418/0	Fäste	Clamp Cover Rear	
44	4	325785354/0	Fäste	Support	
45	4	325034003/0	Distans	Brass	
46	4	112815271/0	Skruv	Screw	
47	4	112523040/0	Bricka	Washer	
48	4	112154510/0	Mutter	Nut	
50	1	382000579/0	Stang	Rod	
51	1	112523040/0	Bricka	Washer	
52	1	112154510/0	Mutter	Nut	
53	1	112521360/0	Bricka	Washer	
54	1	112523040/0	Bricka	Washer	
55	1	112154510/0	Mutter	Nut	
56	1	325785481/0	Brytare Fäste	Micro Switch Bracket	
57	1	325060034/1	Cam	Cam	
58	1	112735404/0	Skruv	Screw	
59	2	112793102/0	Skruv	Screw	
60	2	112293201/0	Mutter	Nut	
62	1	119410609/1LC	Mikrobrytare	Micro Switch	
63	2	112735602/0	Skruv	Screw	
64	2	112581100/0	Fj.Bricka Fbb 3.1X5.7X0.8 (M3)	Grower	
65	2	112290791/0	Mutter	Nut	
66	2	112735110/0	Skruv	Screw	
67	1	119410614/0	Mikrobrytare	Microswitch	

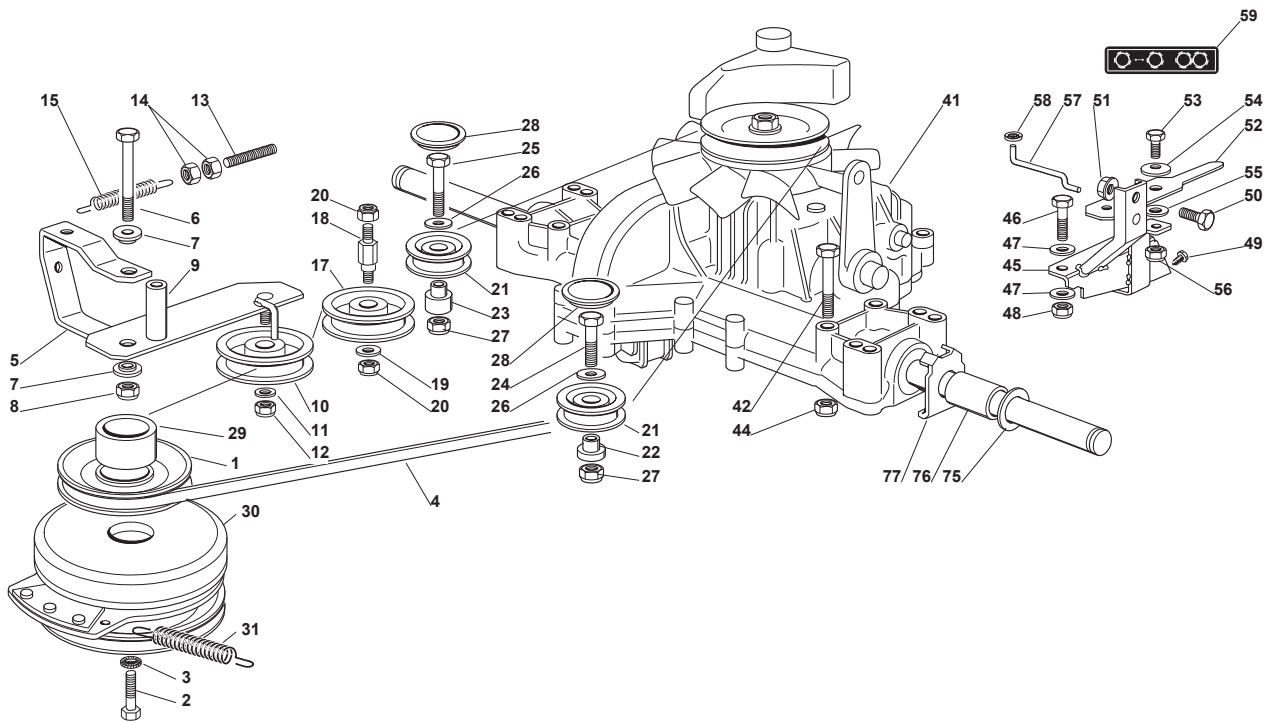


Utgåva Issue 3 - 2016		Motor - Kawasaki		Engine - Kawasaki	
Pos. Fig.	Antal Q.ty	Art nr Part No	Benämning	Description	Anmärkning Notes
1	2	118375051/1	Slangklämma	Fair Led	
2	1	138780531/0	Bensinslang	Fuel Tube	
3	1	127598060/0	Oil Discharge Extension (Rider)	Oil Discharge Extension	
4	1	118401001/1	Tätningring	Oil Seal	
5	1	118737849/0	Plugg	Plug	
6	1	118738256/0	VänsterExhaust Connection	Left Exhaust Connection	
7	1	118738257/0	Höger Exhaust Connection	Right Exhaust Connection	
8	3	112360425/0	Mutter	Nut	
9	3	112793102/0	Skruv	Screw	
10	2	112540260/0	Lasbricka 8.4X15X0.8	Grower	
11	1	182750014/0	Ljuddämpare	Muffler	
12	2	112280100/0	Mutter	Nut	
13	1	382598065/0	Ljuddämparskydd	Muffler Protection	
14	2	112792611/0	Skruv	Screw	
15	2	112583500/0	Lasbricka	Grower	
16	4	112540070/0	Bricka	Washer	
17	4	112735821/0	Skruv	Screw	
18	1	112792611/0	Skruv	Screw	
19	1	112521350/0	Bricka	Washer	
20	1	125430252/0	Fjäder	Spring	
21	3	112540260/0	Lasbricka 8.4X15X0.8	Grower	
22	3	112793102/0	Skruv	Screw	
23	1	125090001/2	Chokereglage	Choke Control	
24	1	182000201/2	Gaswire	Accelerator	
25	2	125943012/0	Skruv	Screw	
26	1	325592000/0	Knopp	Knob	
27	1	112726388/0	Skruv	Screw	
28	1	112290800/0	Mutter	Nut	

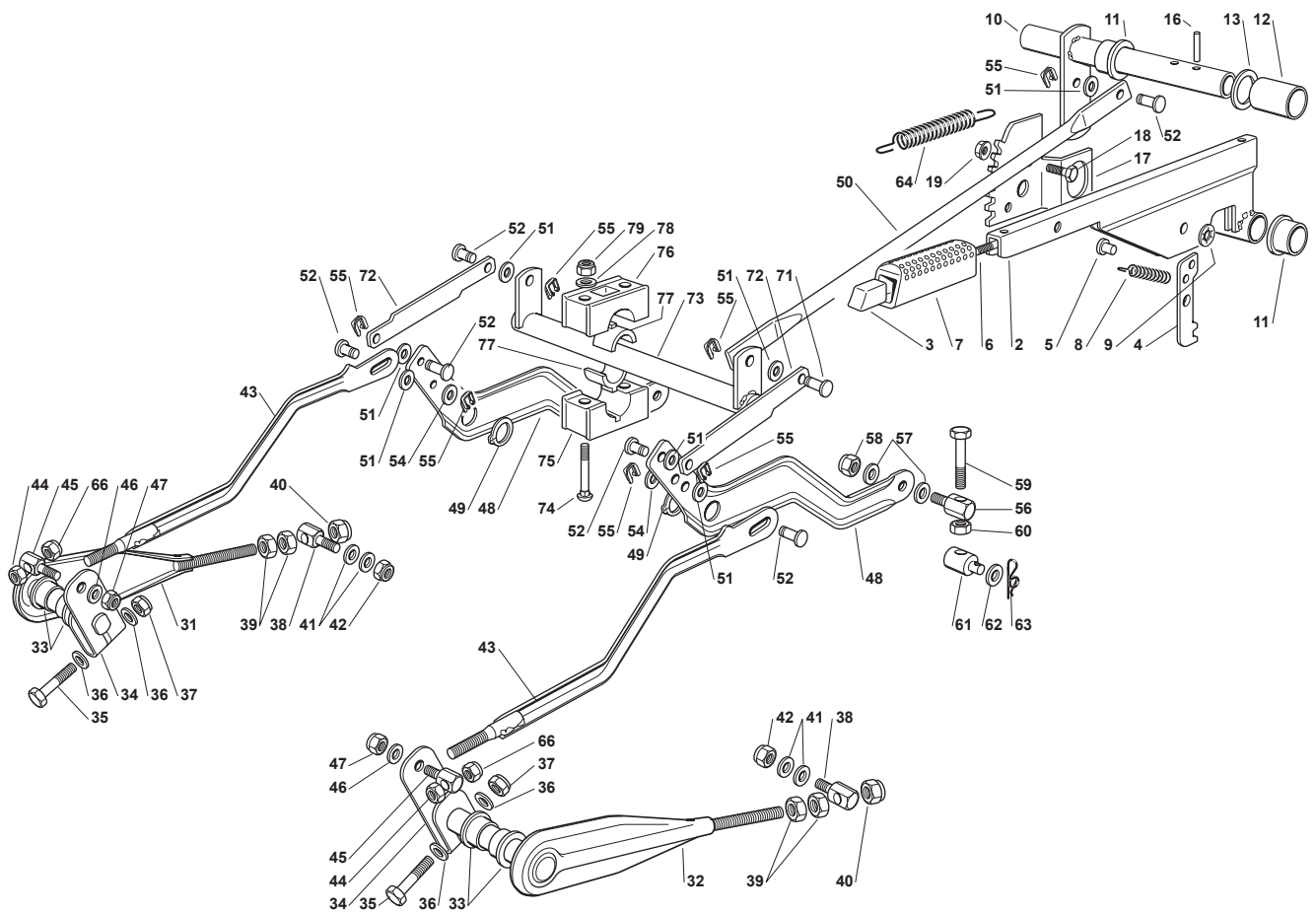




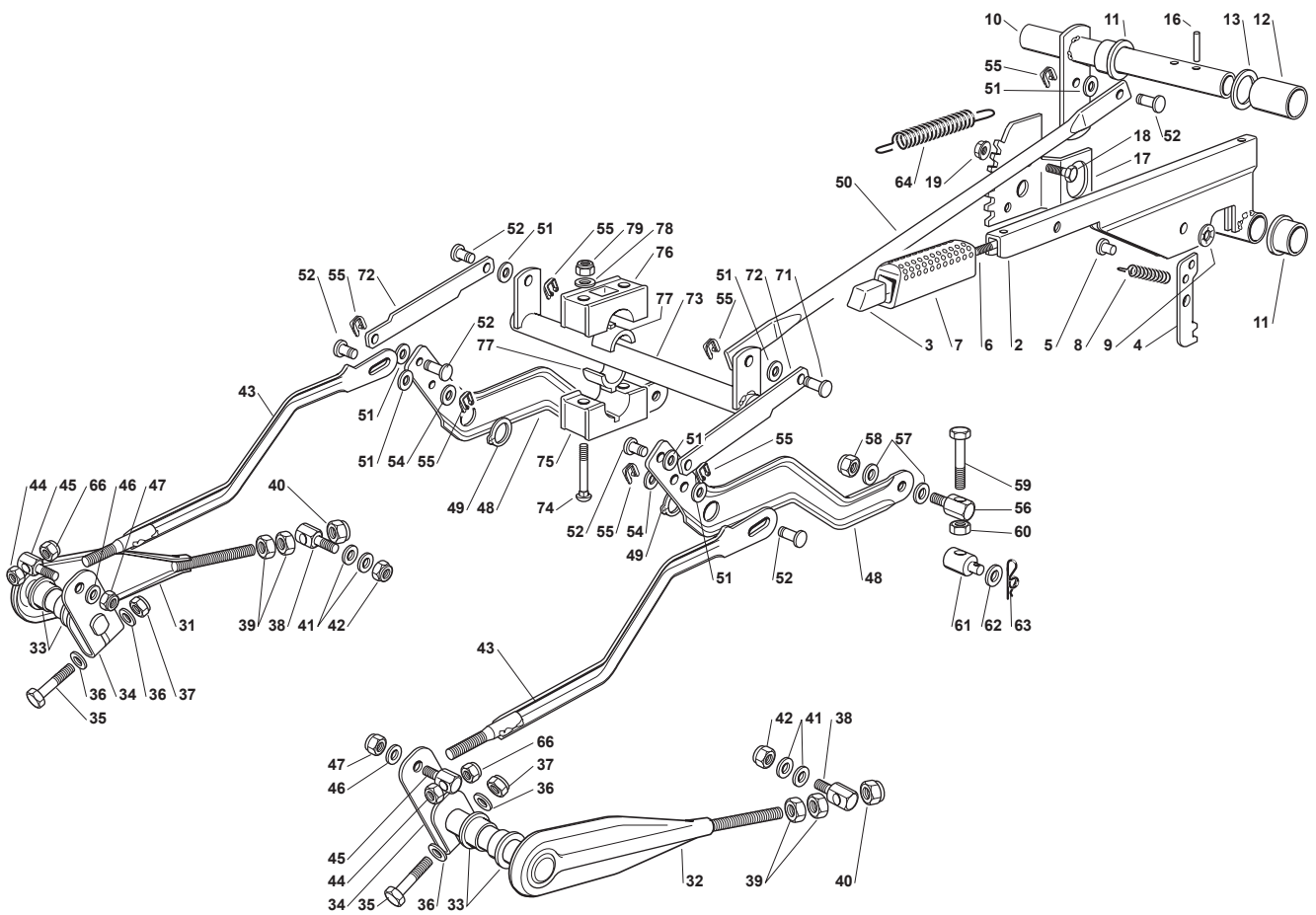
Utgåva Issue 3 - 2016		Transmission		Transmission	
Pos. Fig.	Antal Q.ty	Art nr Part No	Benämning	Description	Anmärkning Notes
4	1	135062020/1	Drivrem	Trapezoidal Belt	
18	1	125510139/0	Stift	Pin	
1	1	125601566/0	Remskiva	Pulley	
2	1	112737320/0	Skruv	Screw	
3	1	112543000/0	Bricka	Washer	
5	1	382318165/1	Spännarm	Lever	
6	1	112692000/0	Skruv	Screw	
7	2	125038002/1	Bussning	Bushing	
8	1	112155000/0	Mutter	Nut	
9	1	125160027/0	Distans	Spacer	
10	1	125601554/0	Remskiva	Pulley	
11	1	112523060/0	Bricka	Washer	
12	1	112155000/0	Mutter	Nut	
13	1	125840010/1	Spännstang	Tie Rod	
14	2	112293200/0	Mutter	Nut	
15	1	125430219/0	Fjäder	Spring	
17	1	325601599/0	Remskiva	Pulley	
19	1	112523060/0	Bricka	Washer	
20	2	112155000/0	Mutter	Nut	
21	2	325601570/1	Remskiva	Pulley	
22	1	125160030/2	Distans	Left Spacer	
23	1	125160024/2	Distans	Right Spacer	
24	1	112691115/0	Skruv	Screw	
25	1	112691400/0	Skruv	Screw	
26	2	112523060/0	Bricka	Washer	
27	2	112155000/0	Mutter	Nut	
28	2	125109521/1	Kapa	Cover	
29	1	125160021/0	Distans	Spacer	
30	1	118399062/0	Magnetkoppling	Electromagnetic Clutch	
31	1	125430210/1	Fjäder	Brake Spring	
41	1	118400950/1	Transaxel (K46F)	Rear Axle Tuff Torq K46F	
42	4	112691800/0	Skruv	Screw	
44	4	112154210/0	Mutter	Nut	
45	1	382785109/0	Fäste	Support	
46	1	112691200/0	Skruv	Screw	
47	2	112521350/0	Bricka	Washer	
48	1	112155000/0	Mutter	Nut	
49	2	112735120/0	Skruv	Screw	
50	1	112792611/0	Skruv	Screw	
51	1	112293201/0	Mutter	Nut	
52	1	325318157/0	Arm	Lever	
53	1	112793102/0	Skruv	Screw	
54	1	112369500/0	Bricka	Elastic Washer	
55	1	325670011/0	Bricka	Antifriction Washer	
56	1	112155000/0	Mutter	Nut	
57	1	125033033/0	Stag	Rod	
58	1	112604896/0	Starlock P6493 6	Crown Fastener	
59	1	114357423/2	Dekal	Label	
75	4	125670005/1	Bricka	Washer	



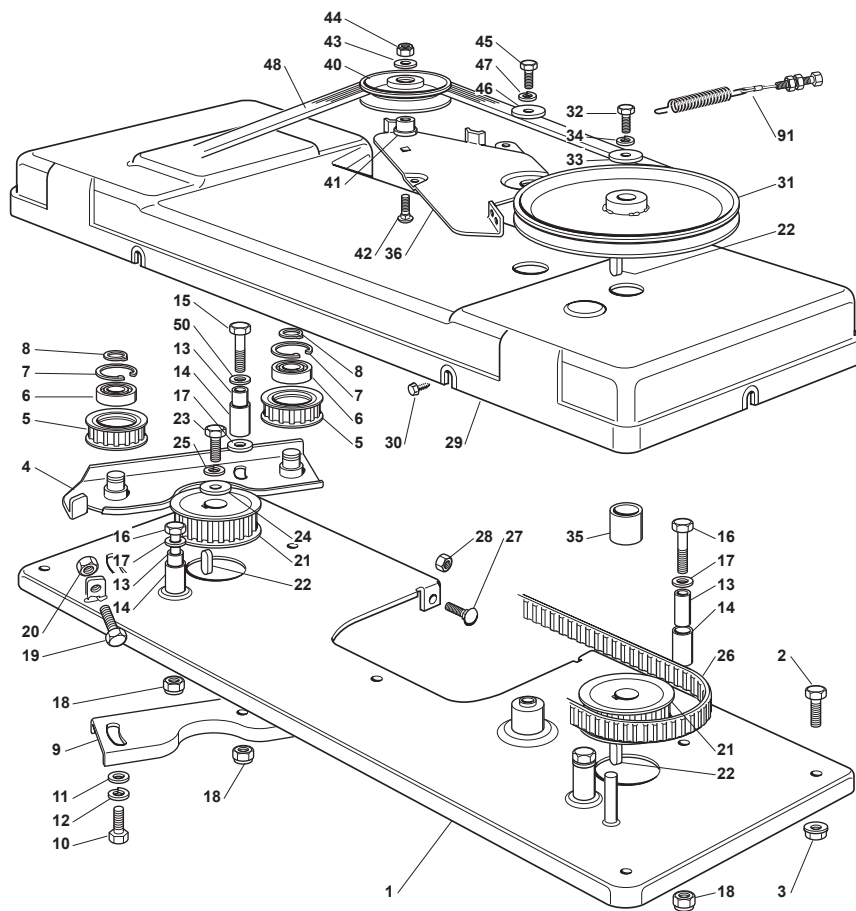
Utgåva Issue 3 - 2016		Transmission			
Pos. Fig.	Antal Q.ty	Art nr Part No	Benämning	Description	Anmärkning Notes
76	2	125160023/0	Distans	Spacer	
77	2	325670025/0	Bricka	Washer	



Utgåva Issue 3 - 2016		Skärplatta, Lyft		Cutting Plate Lifting	
Pos. Fig.	Antal Q.ty	Art nr Part No	Benämning	Description	Anmärkning Notes
2	1	382318139/0	Lyftspak	Deck Lifting Lever	
3	1	125605000/1	Tryckknapp	Button	
4	1	325470901/0	Spärrhake	Dog	
5	1	125510011/0	Stift	Pin	
6	1	125033002/0	Tryckstang	Push Rod	
7	1	325394536/0	Knopp	Knob	
8	1	125430208/0	Fjäder	Spring	
9	1	112604899/0	Starlock	Crown Fastener	
10	1	382000551/0	Lyftaxel	Axle	
11	2	122034523/0	Bussning	Bushing	
12	1	125160025/0	Distans	Spacer	
13	1	322672153/0	Bricka	Antifriction Washer	
16	2	112620206/0	Spännstift	Pin	
17	1	325735506/1	Höjdinställningssegment	Left Sector	
18	2	112792611/0	Skruv	Screw	
19	2	112293201/0	Mutter	Nut	
31	1	382318155/0	Lyftarm Främre-Hö	Front Right Fulcrum Lever	
32	1	382318157/0	Lyftarm Främre-Vä	Left Fulcrum	
33	4	125040605/0	Bussning	Bushing	
34	2	325318161/0	Lyftarm	Lever	
35	2	112691700/0	Skruv	Screw	
36	4	112521350/0	Bricka	Washer	
37	2	112155000/0	Mutter	Nut	
38	2	125510056/0	Stift	Pin	
39	4	112295200/0	Mutter	Nut	
40	2	112156602/0	Mutter	Nut	
41	4	325670008/1	Bricka	Washer	
42	2	112156602/0	Mutter	Nut	
43	2	382000477/2	Förbindningsstang-fra	Connecting Rod Assy	
44	2	112155000/0	Mutter	Nut	
45	2	125510055/1	Stift	Pin	
46	2	112521350/0	Bricka	Washer	
47	2	112155000/0	Mutter	Nut	
48	2	325318153/1	Spak	Rear Lever	
49	2	112609255/0	Segersäkringsåkring Sga 19	Seeger	
50	1	325033071/0	Stang	Rod	
51	7	325670011/0	Bricka	Antifriction Washer	
52	7	125510117/0	Stift	Pin	
54	2	112521350/0	Bricka	Washer	
55	7	112436050/0	Plat	Plate	
56	2	125510056/0	Stift	Pin	
57	4	325670008/1	Bricka	Washer	
58	2	112156602/0	Mutter	Nut	
59	2	112794980/0	Skruv	Screw	
60	2	112295200/0	Mutter	Nut	
61	2	125510070/0	Stift	Pin	
62	2	112523090/0	Bricka	Washer	
63	2	124487998/0	Fjäder Clip	Cotter Pin	
64	1	125430218/0	Fjäder	Spring	

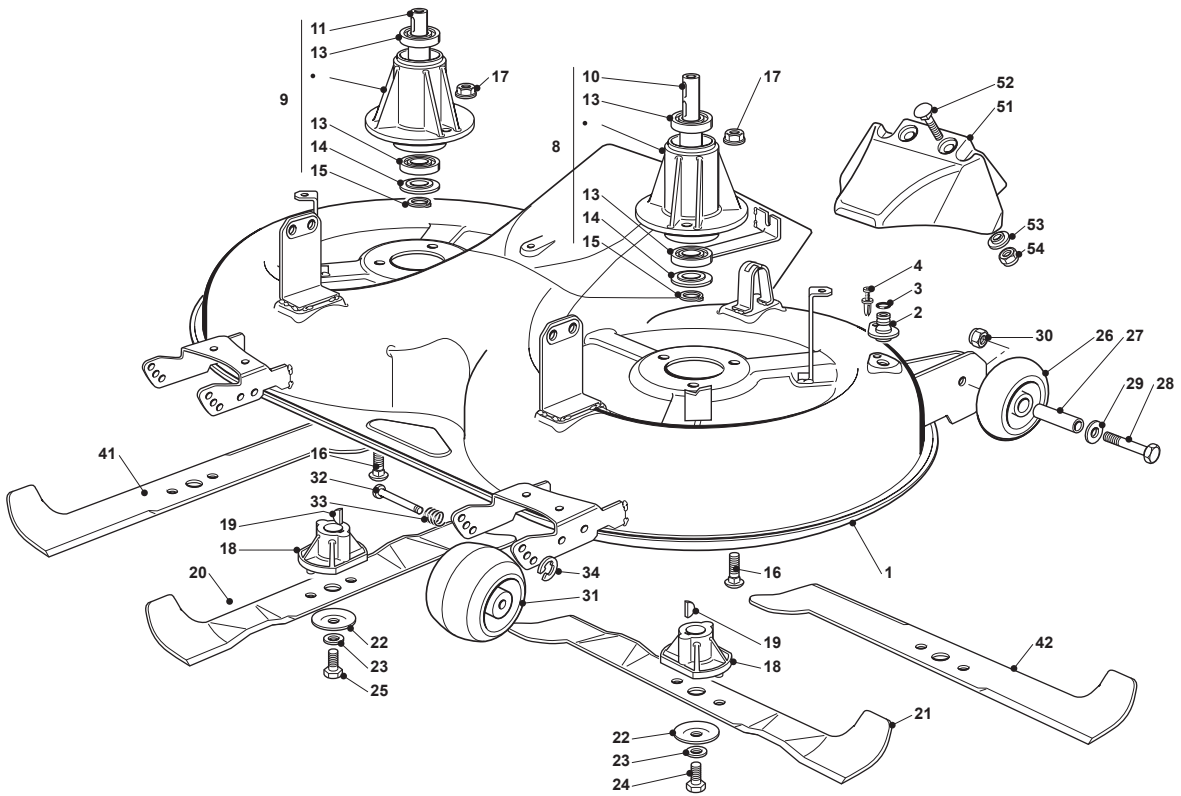


Utgåva Issue 3 - 2016		Skärplatta, Lyft Cutting Plate Lifting			
Pos. Fig.	Antal Q.ty	Art nr Part No	Benämning	Description	Anmärkning Notes
66	2	112293200/0	Mutter	Nut	
71	1	125510048/1	Stift	Pin	
72	2	325318223/0	Stag	Gearshift	
73	1	382000585/0	Axel	Axle	
74	4	112815271/0	Skruv	Screw	
75	2	325785355/0	Fäste	Support	
76	2	325785354/0	Fäste	Support	
77	4	325034003/0	Distans	Brass	
78	4	112523040/0	Bricka	Washer	
79	4	112154510/0	Mutter	Nut	

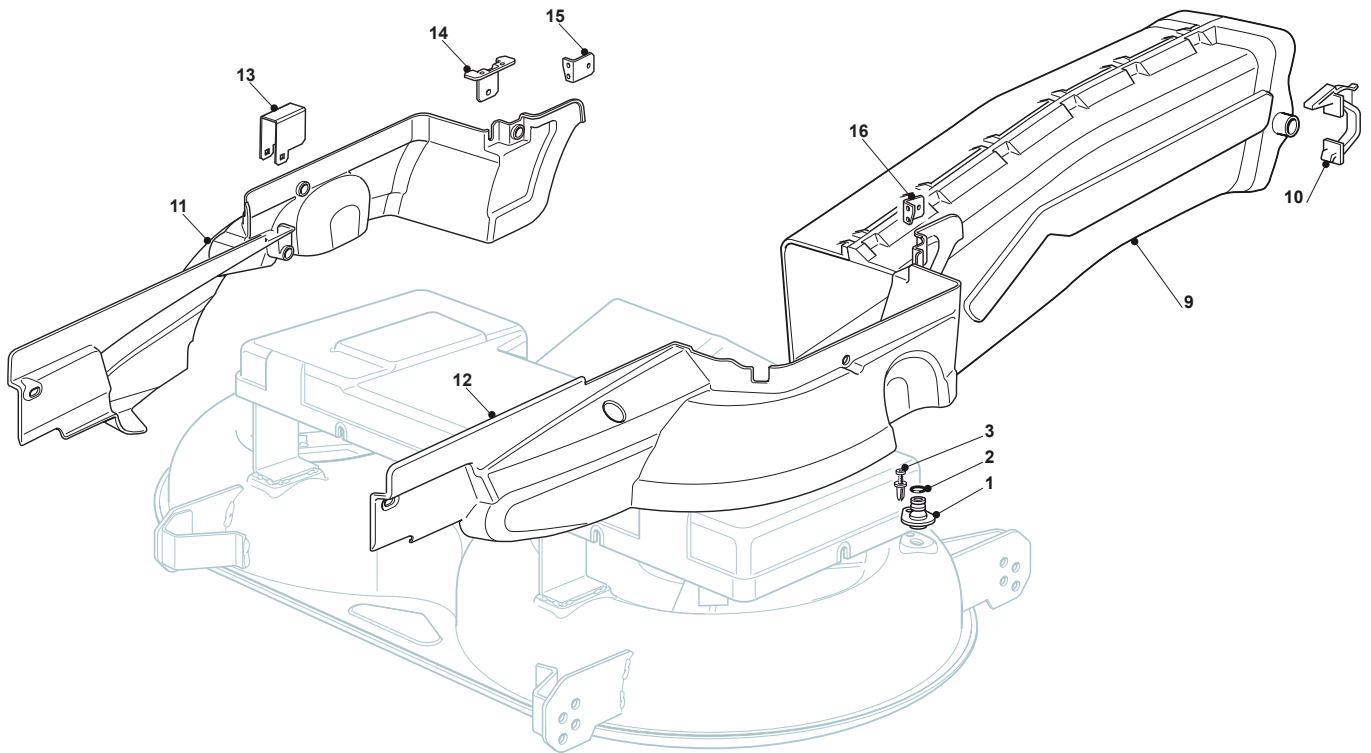




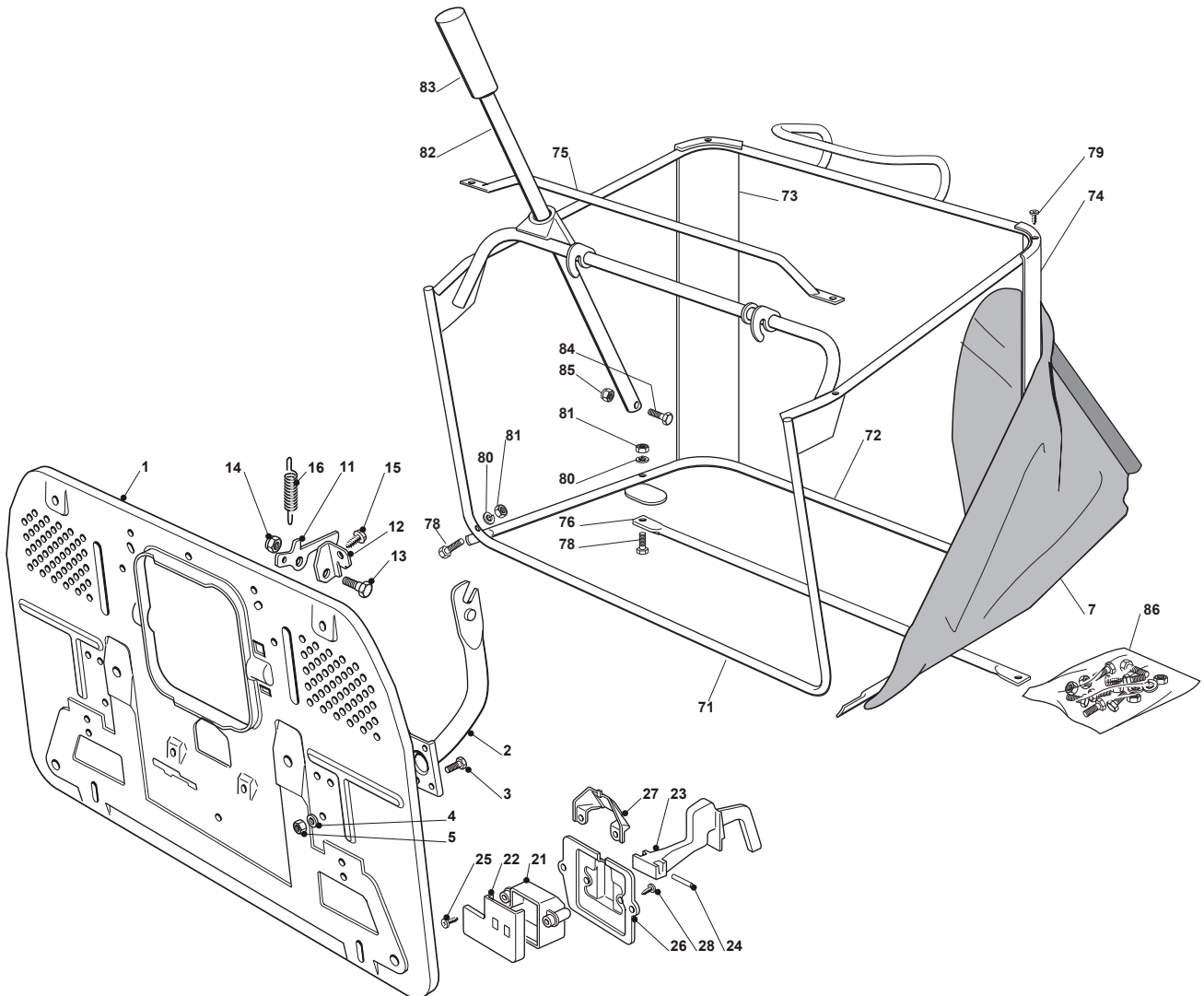
Utgåva Issue 3 - 2016		Knivfäste		Blades Engagement	
Pos. Fig.	Antal Q.ty	Art nr Part No	Benämning	Description	Anmärkning Notes
1	1	382547029/3	Knivplatta	Plate	
13	4	125160003/2	Distans	Spacer	
50	1	122671651/0	Bricka	Washer	
2	4	112792611/0	Skruv	Screw	
3	4	112293201/0	Mutter	Nut	
4	1	382785084/1	Fäste	Support	
5	2	125601559/1	Remskiva	Toothed Pulley	
6	2	119216048/0	Kullager	Bearing	
7	2	112610800/0	Sparring Sgh 35	Seeger	
8	2	112609200/0	Segersäkring	Seeger	
9	1	325650037/0	Förstärkning	Pulley Stiffening	
10	2	112793102/0	Skruv	Screw	
11	2	112521350/0	Bricka	Washer	
12	2	112583500/0	Lasbricka	Grower	
14	4	125038000/0	Bussning	Bushing	
15	1	112691700/0	Skruv	Screw	
16	3	112691200/0	Skruv	Screw	
17	4	112521350/0	Bricka	Washer	
18	4	112293201/0	Mutter	Nut	
19	1	112793900/0	Skruv	Screw	
20	1	112293200/0	Mutter	Nut	
21	2	125601560/0	Remskiva	Pulley	
22	3	112139480/0	Kil	Feather	
23	1	112793102/0	Skruv	Screw	
24	1	125670007/0	Bricka	Washer	
25	1	112583500/0	Lasbricka	Grower	
26	1	135065600/0	Drivrem	Belt	
27	3	112815200/0	Skruv	Screw	
28	3	112292102/0	Mutter	Nut	
29	1	125060100/3	Skydd	Protection	
30	6	112735110/0	Skruv	Screw	
31	1	125601550/0	Remskiva	Pulley	
32	1	112793102/0	Skruv	Screw	
33	1	125670007/0	Bricka	Washer	
34	1	112583500/0	Lasbricka	Grower	
35	1	125160002/0	Distans	Spacer	
36	1	325318115/1	Bromsarm	Lever	
40	1	325601599/0	Remskiva	Pulley	
41	1	125160079/0	Distans	Spacer	
42	1	112818900/0	Skruv	Screw	
43	1	112523060/0	Bricka	Washer	
44	1	112155000/0	Mutter	Nut	
45	1	112793102/0	Skruv	Screw	
46	1	112523070/0	Bricka	Washer	
47	1	112583500/0	Lasbricka	Grower	
48	1	135062811/0	Drivrem	Belt	
91	1	182004608/0	Wire	Engagging Cable	



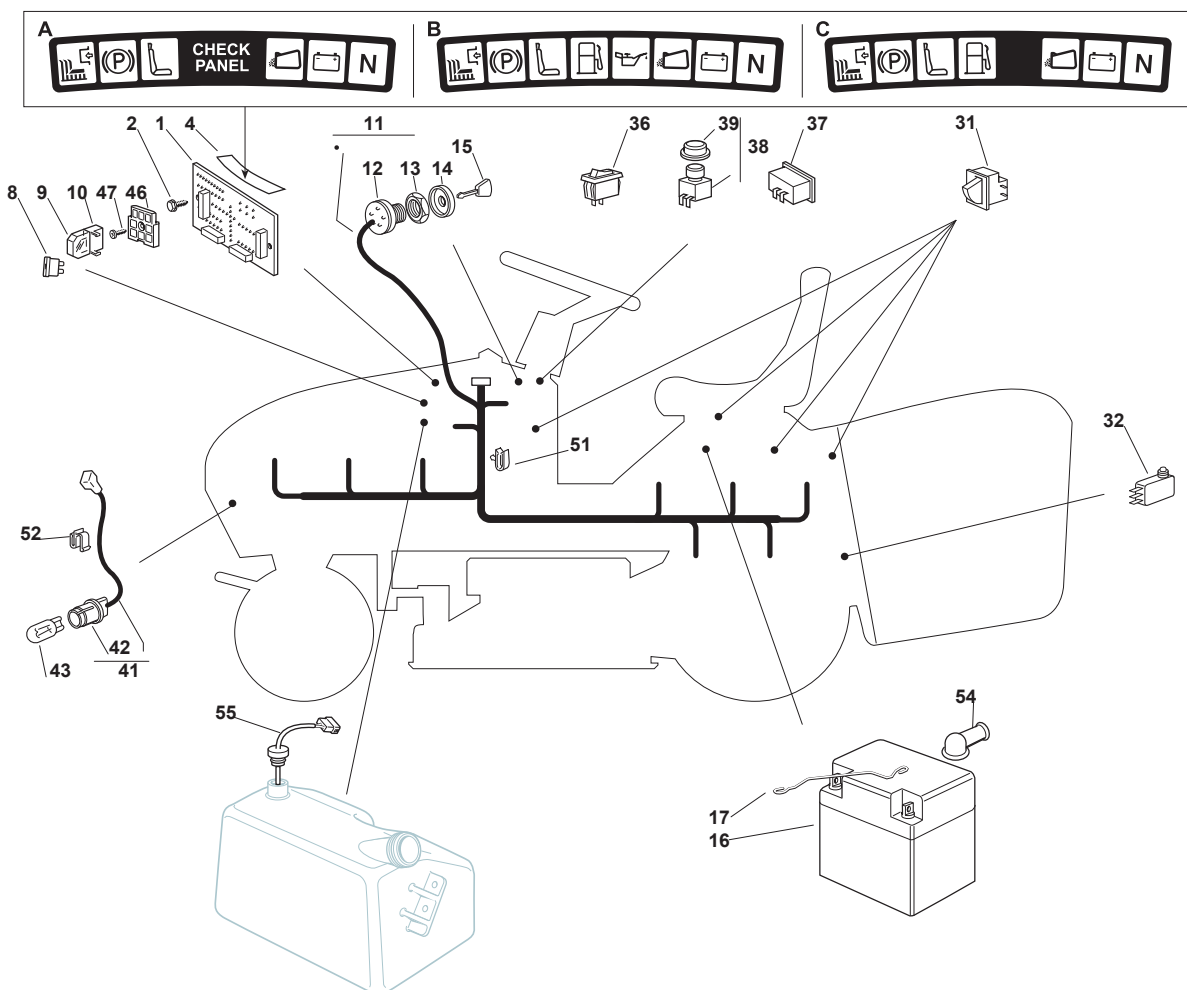
Utgåva Issue 3 - 2016		Skärplatta Cutting Plate			
Pos. Fig.	Antal Q.ty	Art nr Part No	Benämning	Description	Anmärkning Notes
1	1	382564131/0	KKlippdäck kpl	Cutting Plate Black	
1	1	382564153/0	Klippkapa kpl	Cutting Plate Grey	
2	2	125033060/0	Vattenslanganslutning	Washing Cutting Deck Connection	
3	2	119035000/0	O-Ring	Or Ring	
4	2	112500030/0	Nit	Rivet	
8	1	382207200/1	Lagerbox Kpl (Huvud)	Flange Assy	
9	1	382207201/2	Lagerbox Kpl (Sekundär)	Support Shaft Tc	
10	1	125020800/1	Knivaxel	Main Blade Shaft	
11	1	125020801/2	Knivaxel	Secondary Blade Shaft	
13	4	119216032/0	Lager 6204 2Rs Zkl	Bearing	
14	2	325160501/0	Dammskydd	Dust Cover Disc	
15	2	112609260/0	Sparring Sga 20	Seeger	
16	6	112818700/0	Skruv	Screw	
17	6	112154210/0	Mutter	Nut	
18	2	125463200/0	Knivfäste	Blade Hub	
19	2	112139100/0	Kil	Key	
20	1	182004348/0	Kniv	Right Mulching Blade	
21	1	182004347/0	Kniv	Left Blade Mulching, Winged	
22	2	125160503/0	Knivfäste	Blade Hub Elastic Disc Lawntr.	
24	1	112735696/0	Skruv	Screw	
25	1	112735697/1	Skruv	Screw	
26	2	182700003/0	Stödhjul	Anti Scalp Wheel	
27	2	125510072/0	Stift	Pin	
28	2	112692050/0	Skruv	Screw	
29	2	112523060/0	Bricka	Washer	
30	2	112293201/0	Mutter	Nut	
31	2	182700004/0	Stödhjul	Anti Scalp Wheel	
32	2	125510121/0	Stift	Pin	
33	2	122450115/0	Fjäder	Spring	
34	2	112000930/0	Lasring	Benzing Ring	
41	1	182004341/1	Kniv	Right Blade, Winged	
42	1	182004340/1	Kniv	Left Blade, Winged	
51	1	325140100/0	Deflektor	Deflector	
52	2	112815210/0	Skruv	Screw	
53	2	125038002/1	Bussning	Bushing	
54	2	112154510/0	Mutter	Nut	



Utgåva Issue 3 - 2016		Skydd och transportband Guards And Conveyor			
Pos. Fig.	Antal Q.ty	Art nr Part No	Benämning	Description	Anmärkning Notes
1	2	125033060/0	Vattenslanganslutning	Washing Cutting Deck Connection	
2	2	119035000/0	O-Ring	Or Ring	
3	2	112500030/0	Nit	Rivet	
9	1	382108016/1	Utkaströr	Conveyor	
10	2	325774373/0	Fäste	Clamp	
11	1	325060144/0	Remskydd-hö	Right Belt Protection Carter	
12	1	325060145/0	Remskydd-vå	Left Belt Protection	
13	2	325774267/0	Fäste	Clamp	
14	2	325774423/0	Fäste	Clamp	
15	1	325774425/0	Fäste	Clamp	
16	1	325774421/0	Fäste	Clamp	

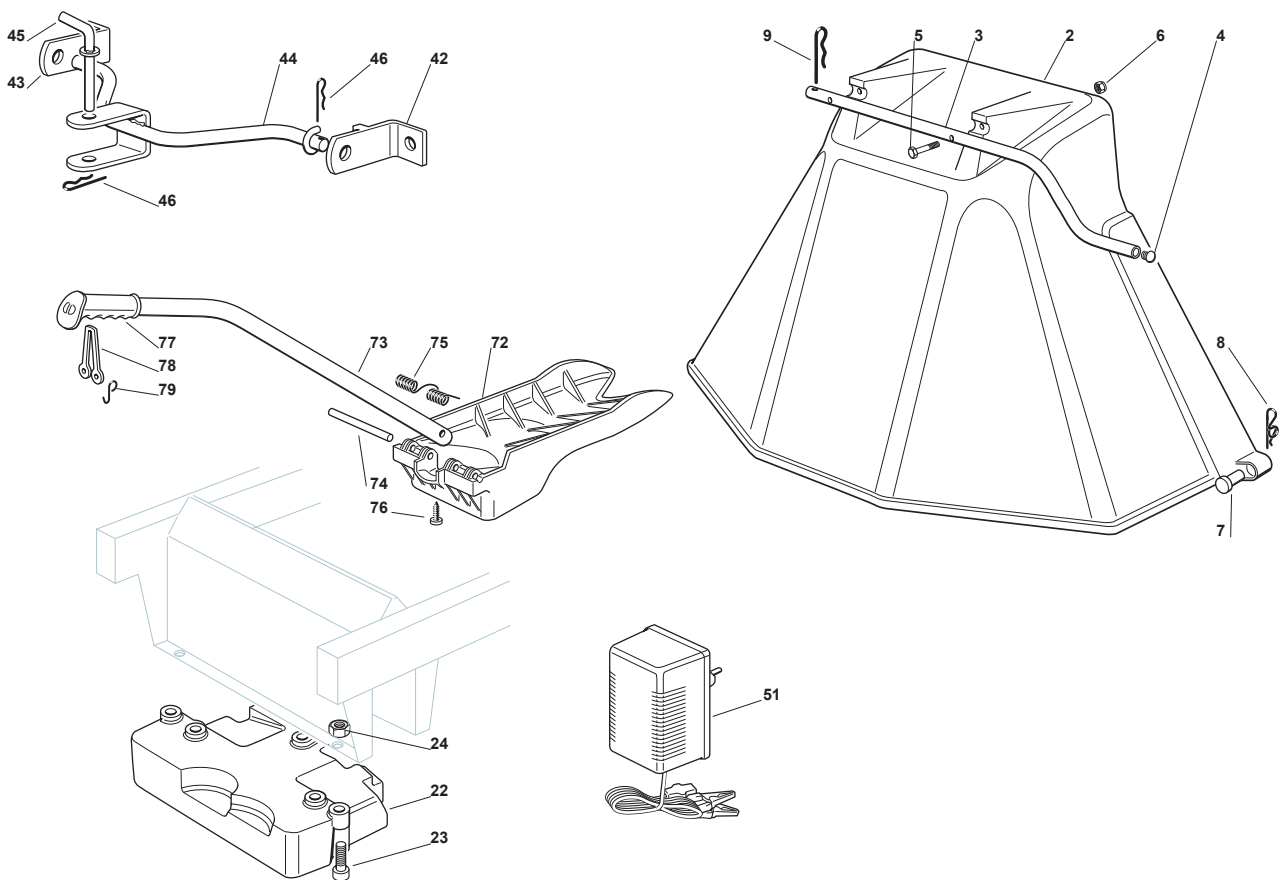


Utgåva Issue 3 - 2016		Gräsuppsamlare		Grasscatcher	
Pos. Fig.	Antal Q.ty	Art nr Part No	Benämning	Description	Anmärkning Notes
1	1	382547051/0	Plat	Plate	
2	2	182774225/1	Fäste	Clamp	
3	6	112793102/0	Skruv	Screw	
4	6	112523060/0	Bricka	Washer	
5	6	112293201/0	Mutter	Nut	
7	1	182106000/2	Uppsamlingsäck	Grasscatcher	
11	1	325774315/1	Fäste	Bracket	
12	1	325755031/1	Vinkelfäste	Bracket	
13	1	125510080/1	Stift	Pin	
14	1	112292102/0	Mutter	Nut	
15	1	112735122/0	Skruv	Screw	
16	1	125430210/1	Fjäder	Brake Spring	
21	1	125600041/0	Brytarskydd	Grassc.Full Micro Protection Tcj-F	
22	1	125600042/0	Skyddslock	Grasscatcher Micro Prot Cover	
23	1	125318124/0	Arm	Full Grassc. Microswtich Cover	
24	1	112400030/0	Stift	Pin	
25	1	112728510/0	Skruv	Screw	
26	1	325785272/0	Mikroskydd	Micro Protection	
27	1	125600048/0	Skyddslock	Micro Protection Cover	
28	2	112728450/0	Skruv	Screw	
71	1	382800051/0	Ram. övre	Upper Frame	
72	1	382800002/2	Ram-undre	Lower Grasscatcher Frame	
73	1	325032001/1	Vinkelstöd-Hö	Right Angular Support	
74	1	325032002/1	Vinkelstöd-Vä	Left Angular Support	
75	1	382394001/2	Handtag-Främre	Front Handle	
76	1	382650038/0	Förstärkning-undre	Lower Stiffening	
78	4	112792099/0	Skruv	Screw	
79	4	112729601/1	Skruv	Screw	
80	4	112582101/0	Lasbricka	Grower	
81	4	112292100/0	Mutter	Nut	
82	1	125869029/1	Rör	Grasscatcher Lifting Tube	
83	1	125394508/0	Knopp	Knob	
84	1	112792099/0	Skruv	Screw	
85	1	112154510/0	Mutter	Nut	
86	1	382180027/1	Skruvsats	Outfit, Screws	

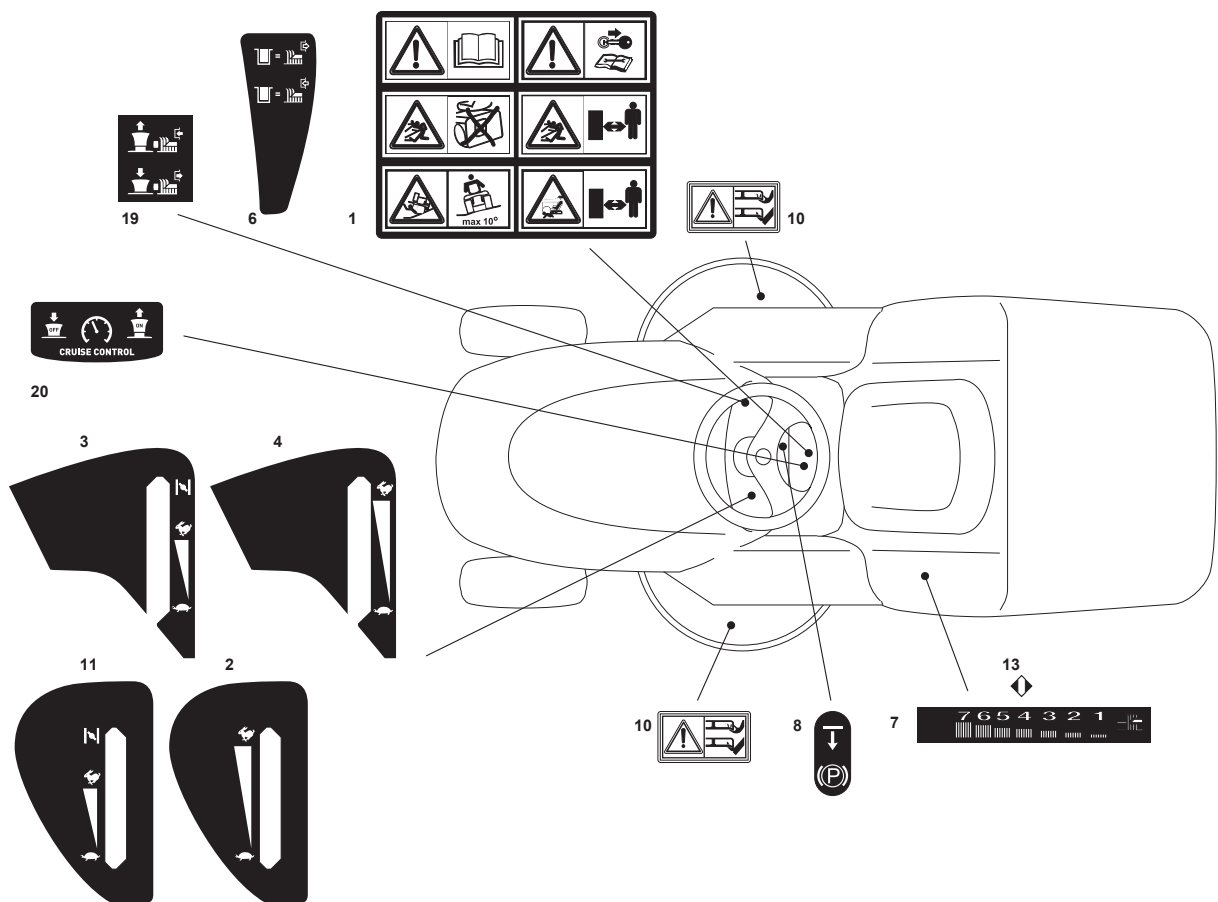




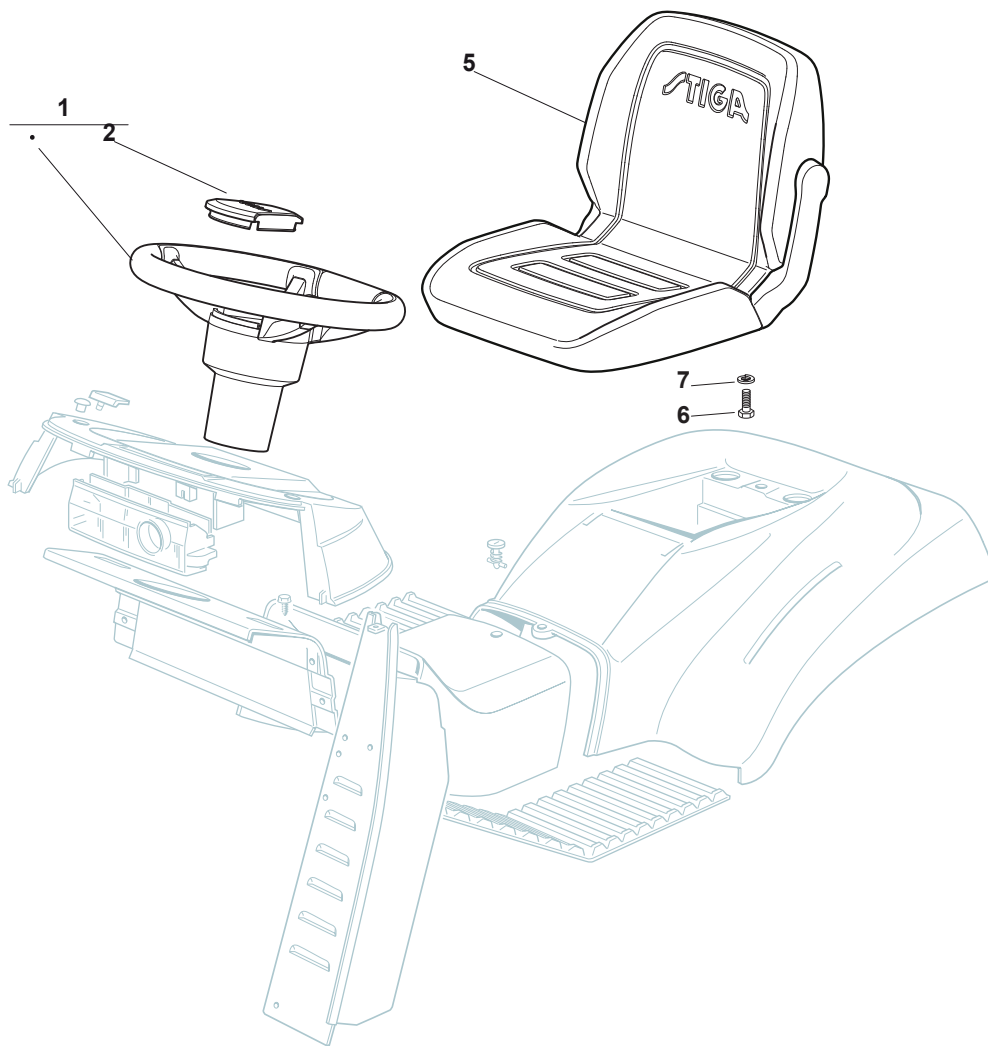
Utgåva Issue 3 - 2016		Elsystem Electrical Parts			
Pos. Fig.	Antal Q.ty	Art nr Part No	Benämning	Description	Anmärkning Notes
1	1	125722441/0	Elektronikkort	Electronic Card	
2	3	112735105/0	Skruv	Screw	
4	1	125420005/0	Kontrollskylt	Check Control (B)	
8	1	133340040/0	Säkring 10A	Fuse 10 A	
8	1	133340036/0	Säkring 25A	Fuse 25 A	
9	2	133215000/0	Lock-Säkringshallare	Cover	
10	2	133500007/0	Säkringshallare	Fuse Carrier	
11	1	182040206/1	Kabelhärva	Cables Ass.Y	
11	1	182040206/0	Kabelhärva	Cables Ass.Y	
12	1	118450065/1	Tändningslas	Starting Switch	
13	1	118400861/0	Skruv	Screwed Ring	
14	1	118565351/0	Skruv	Screwed Ring Protection	
15	1	118210016/1	Tändningsnyckel Indak	Starting Key	
16	1	118120002/1	Batteri	Battery	
17	1	125430230/0	Fjäder	Spring	
31	3	119410615/0	Mikrobrytare	Microswitch	
32	1	119410605/1	Mikrobrytare	Microswitch	
36	1	118450060/1	Brytare	Headlight Interrupt. Cre1116-0	
37	1	9400-0384-01	Hour Counter	Hour Counter	
38	1	118450067/0	Brytare	Switch	
39	1	118203852/0	Lock	Cap	
41	1	182040070/0	Kablage	Cables Ass.Y	
42	2	133500030/0	Lamphallare	Lamp Holder	
43	2	118459100/0	Glödlampa	Lamp For Lights	
46	1	133500010/1	Plat	Plate	
47	1	112735170/0	Skruv	Screw	
51	5	133320506/0	Kabalfäste	Fairlead	
52	1	133320504/0	Kabalfäste	Fairlead	
54	1	118564864/1	Polskydd	Protection	
55	1	125290000/0	Bränslemätare	Fuel Level Indicator	



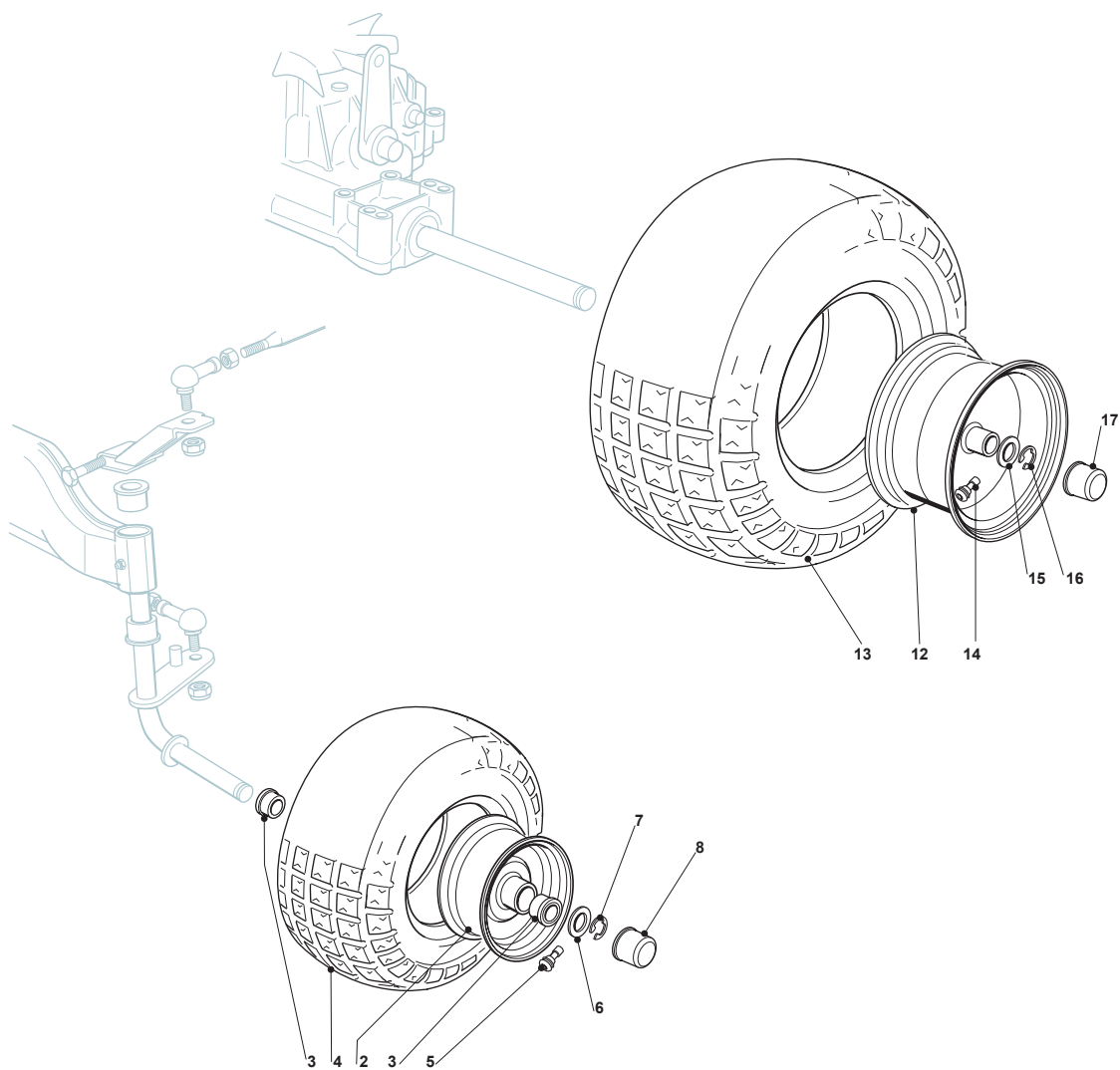
Utgåva Issue 3 - 2016		Tillbehör på begäran Optionals On Request			
Pos. Fig.	Antal Q.ty	Art nr Part No	Benämning	Description	Anmärkning Notes
2	1	382400003/1	Utkastskydd	Ejection Guard	
3	1	325869043/0	BakreFäste	Rear Support	
4	2	118566112/0	Plugg	Polyethylene Push Road	
5	2	112689515/0	Skruv	Screw	
6	2	112154510/0	Mutter	Nut	
7	2	125510022/0	Stift	Pin	
8	2	124487998/0	Fjäder Clip	Cotter Pin	
9	1	124487999/0	Clip	Spring Pin	
22	1	125519997/1	Vikt Tc	Front Weight Tc	
23	3	112760520/0	Skruv	Screw	
24	3	112155000/0	Mutter	Nut	
42	1	382735502/0	Fäste	Bracket	
43	1	325774213/0	Fäste	Bracket	
44	1	382033105/1	Dragstang	Rod	
45	1	125510021/1	Stift	Hitch Pin	
46	2	124487999/0	Clip	Spring Pin	
51	1	182180050/0	Batteriladdare	Battery Charger	
72	1	325140097/0	Deflektor	Deflector	
73	1	325394005/0	Handtagsrör	Handle	
74	1	125510077/0	Stift	Pin	
75	1	125430245/0	Fjäder	Spring	
76	1	112735405/0	Skruv	Screw	
77	1	325280000/1	Handtag	Handgrip	
78	1	125840011/1	Spännstang	Tie Rod	
79	2	125253004/0	Krok	Mulch.Kit Fixing Hook	



Utgåva Issue 3 - 2016		Dekaler Labels			
Pos. Fig.	Antal Q.ty	Art nr Part No	Benämning	Description	Anmärkning Notes
1	1	114357428/1	Dekal	Label	
2	1	114356756/2	Dekal	Throttle Label	
7	1	114357905/0	Dekal	Label	
8	1	114357526/1	Dekal	Label	
10	2	114356699/1	Dekal	Label	
11	1	114356754/1	Dekal	Throttle Label	
13	1	114357913/0	Dekal	Label	
19	1	114360912/0	Dekal	Label	



Utgåva Issue 3 - 2016		Sits och ratt Seat & Steering Wheel			
Pos. Fig.	Antal Q.ty	Art nr Part No	Benämning	Description	Anmärkning Notes
1	1	325961222/1	Ratt	Steering wheel	
2	1	325580508/0	Styrkonsolkapa, Svart	Steering Plate Cover	
5	1	125722480/0	Seat	Seat	
6	4	112793102/0	Skruv	Screw	
7	4	112583500/0	Lasbricka	Grower	





Utgåva Issue 3 - 2016		Hjul Wheels			
Pos. Fig.	Antal Q.ty	Art nr Part No	Benämning	Description	Anmärkning Notes
2	2	182000595/1	Fälg	Rimm	7,5"X8" STARCO
3	4	125122200/2	Kullager	Bearing	
4	2	125590020/0	Däck	Tyre	
5	2	125950000/0	Ventil	Valve	
6	2	125670005/1	Bricka	Washer	
7	2	112001000/0	Lasring	Benzing Ring	
8	2	322110239/0	Navkapsel	Hub Cover	
12	2	182000596/1	Fälg-Bakre	Rimm	
13	2	125590022/0	Däck	Tyre	
14	2	125950000/0	Ventil	Valve	
15	2	125670005/1	Bricka	Washer	
16	2	112001010/0	Lasring	Benzing Ring	
17	2	322110239/0	Navkapsel	Hub Cover	



**Estate 6102 HW** — 2

**Estate 7102 HWS** — 3

**Estate 7122 HWS** — 4

Utgåva Issue 3 - 2016		Dekaler Labels			
Pos. Fig.	Antal Q.ty	Art nr Part No	Benämning	Description	Anmärkning Notes
1	3	114367494/2	Dekal STIGA logo	Label STIGA logo	
2	2	114368444/0	Decal	Label	Estate 6102 HW
3	2	114368445/0	Decal	Label	Estate 7102 HWS
4	2	114368446/0	Decal	Label	Estate 7122 HWS





code	pos.	q.ty	page										
133320504/0	52	1	p. 33	325318153/1	48	2	p. 21	382108016/1	9	1	p. 29		
133320506/0	51	5	p. 33	325318157/0	52	1	p. 17	382180027/1	86	1	p. 31		
133340036/0	8	1	p. 33	325318161/0	34	2	p. 21	382185500/1	5	1	p. 7		
133340040/0	8	1	p. 33	325318223/0	72	2	p. 23	382185501/1	6	1	p. 7		
133500007/0	10	2	p. 33	325318303/0	86	1	p. 5	382207200/1	8	1	p. 27		
133500010/1	46	1	p. 33	325318327/0	40	1	p. 3	382207201/2	9	1	p. 27		
133500030/0	42	2	p. 33	325394005/0	73	1	p. 35	382230359/0	39	1	p. 9		
135062020/1	4	1	p. 17	325394536/0	7	1	p. 21	382230361/0	38	1	p. 9		
135062811/0	48	1	p. 25	325430255/0	100	1	p. 5	382263503/0	101	1	p. 7		
135065600/0	26	1	p. 25	325470901/0	4	1	p. 21	382318139/0	2	1	p. 21		
138780531/0	2	1	p. 15	325547081/2	3	1	p. 13	382318155/0	31	1	p. 21		
182000201/2	24	1	p. 15	325580508/0	2	1	p. 39	382318157/0	32	1	p. 21		
182000595/1	2	2	p. 41	325592000/0	26	1	p. 15	382318165/1	5	1	p. 17		
182000596/1	12	2	p. 41	325599017/0	72	4	p. 7	382318185/0	43	1	p. 9		
182004340/1	42	1	p. 27	325599018/0	71	1	p. 7	382394001/2	75	1	p. 31		
182004341/1	41	1	p. 27	325601570/1	21	2	p. 17	382394645/0	2	1	p. 7		
182004347/0	21	1	p. 27	325601599/0	17	1	p. 17	382394646/0	3	1	p. 7		
182004348/0	20	1	p. 27	325601599/0	40	1	p. 25	382394853/OLC	61	1	p. 13		
182004608/0	91	1	p. 25	325605003/0	90	1	p. 7	382400003/1	2	1	p. 35		
182040070/0	41	1	p. 33	325650037/0	9	1	p. 25	382500011/2	1	1	p. 13		
182040206/0	11	1	p. 33	325650065/0	17	2	p. 3	382510041/2	9	1	p. 3		
182040206/1	11	1	p. 33	325650067/0	20	1	p. 3	382510043/2	10	1	p. 3		
182106000/2	7	1	p. 31	325670008/1	41	4	p. 21	382547029/3	1	1	p. 25		
182180050/0	51	1	p. 35	325670008/1	57	4	p. 21	382547051/0	1	1	p. 31		
182700003/0	26	2	p. 27	325670011/0	27	1	p. 13	382564131/0	1	1	p. 27		
182700004/0	31	2	p. 27	325670011/0	51	7	p. 21	382564153/0	1	1	p. 27		
182750014/0	11	1	p. 15	325670011/0	55	1	p. 17	382598065/0	13	1	p. 15		
182774225/1	2	2	p. 31	325670025/0	77	2	p. 19	382650038/0	76	1	p. 31		
322110239/0	8	2	p. 41	325735506/1	17	1	p. 21	382650045/0	61	1	p. 3		
322110239/0	17	2	p. 41	325735523/0	15	1	p. 9	382735502/0	42	1	p. 35		
322394505/0	70	1	p. 3	325743000/0	5	1	p. 9	382774207/0	77	1	p. 3		
322672153/0	13	1	p. 21	325755025/1	97	1	p. 5	382785021/8	12	1	p. 7		
322672153/0	25	2	p. 9	325755031/1	12	1	p. 31	382785022/9	11	1	p. 7		
325032001/1	73	1	p. 31	325774213/0	43	1	p. 35	382785084/1	4	1	p. 25		
325032002/1	74	1	p. 31	325774267/0	13	2	p. 29	382785109/0	45	1	p. 17		
325033071/0	50	1	p. 21	325774273/1	5	2	p. 3	382785137/0	13	1	p. 7		
325034003/0	45	4	p. 13	325774301/2	106	1	p. 7	382785251/0	102	2	p. 7		
325034003/0	77	4	p. 23	325774315/1	11	1	p. 31	382785253/0	103	4	p. 7		
325038004/0	1	1	p. 9	325774373/0	10	2	p. 29	382800002/2	72	1	p. 31		
325060034/1	57	1	p. 13	325774421/0	16	1	p. 29	382800051/0	71	1	p. 31		
325060049/0	93	1	p. 5	325774423/0	14	2	p. 29						
325060144/0	11	1	p. 29	325774425/0	15	1	p. 29						
325060145/0	12	1	p. 29	325774453/0	19	1	p. 9						
325076866/0	1	1	p. 7	325774575/0	39	1	p. 3						
325076953/0	4	1	p. 7	325785133/5	14	1	p. 3						
325076956/0	108	1	p. 7	325785137/1	22	1	p. 3						
325076959/1	9	1	p. 7	325785143/1	21	1	p. 13						
325108031/0	10	1	p. 7	325785147/2	85	1	p. 5						
325109754/0	84	4	p. 7	325785149/3	80	1	p. 3						
325109793/0	86	6	p. 7	325785213/1	8	1	p. 9						
325110278/1	63	1	p. 7	325785272/0	26	1	p. 31						
325110279/0	64	1	p. 7	325785354/0	44	4	p. 13						
325110416/0	2	1	p. 13	325785354/0	76	2	p. 23						
325110417/0	42	1	p. 13	325785355/0	75	2	p. 23						
325110418/0	43	1	p. 13	325785449/0	82	1	p. 7						
325110466/0	61	1	p. 7	325785481/0	56	1	p. 13						
325120258/0	16	1	p. 7	325840001/0	40	1	p. 9						
325122000/2	54	2	p. 7	325869043/0	3	1	p. 35						
325140097/0	72	1	p. 35	325961222/1	1	1	p. 39						
325140100/0	51	1	p. 27	382000391/1	41	1	p. 13						
325150000/0	16	2	p. 9	382000477/2	43	2	p. 21						
325160501/0	14	2	p. 27	382000551/0	10	1	p. 21						
325253001/0	25	1	p. 13	382000579/0	50	1	p. 13						
325256250/0	91	1	p. 7	382000582/0	5	1	p. 13						
325280000/1	77	1	p. 35	382000585/0	73	1	p. 23						
325318115/1	36	1	p. 25	382033105/1	44	1	p. 35						
				382034001/3	35	1	p. 9						