



## **Reservdelskatalog Parts Catalogue**

# ***ESTATE 7102 HWS***

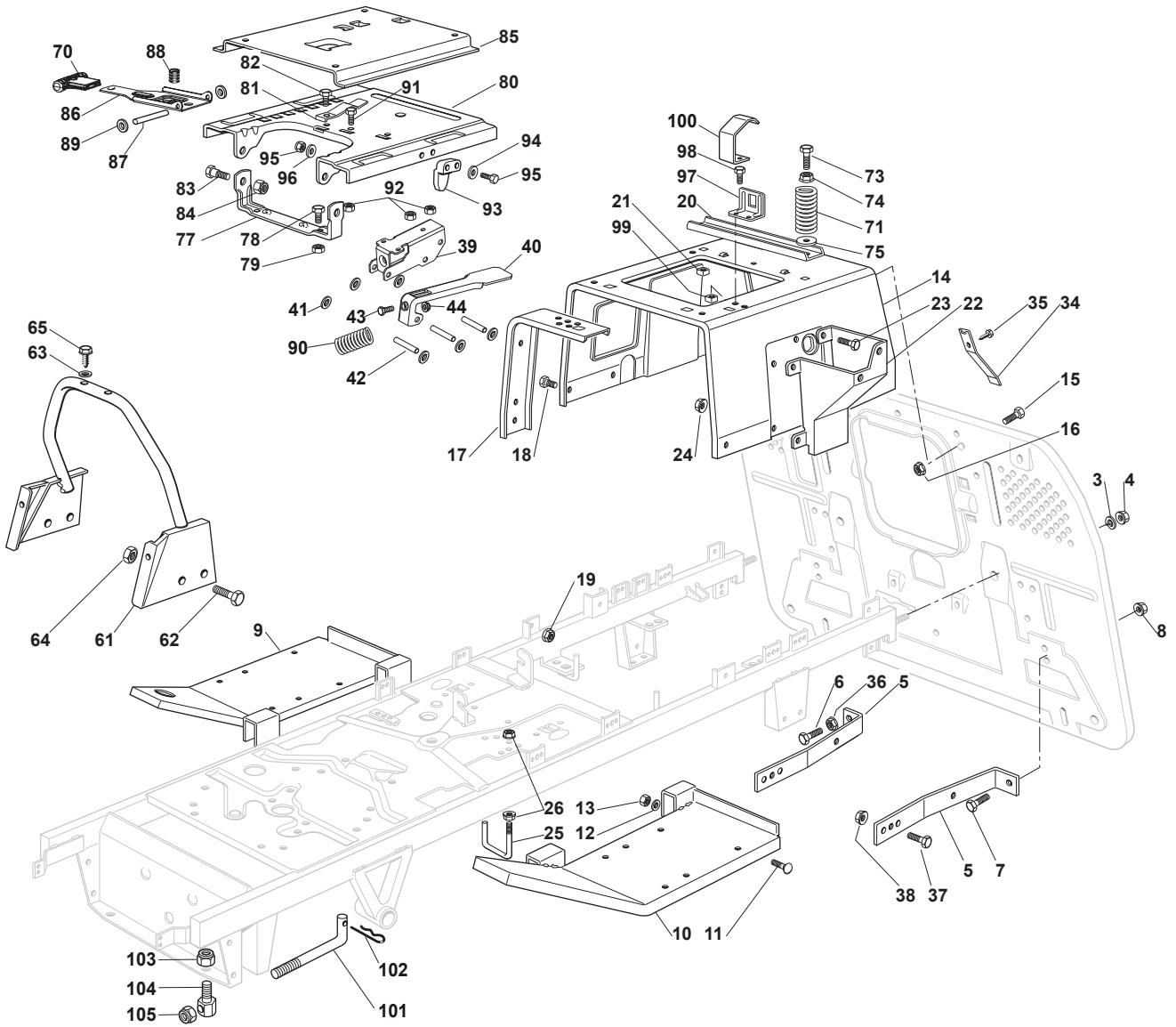
***2T0950681/15 - Season 2016***

- Use GLOBAL GARDEN PRODUCT Genuine Spare Parts specified in the parts list for repair and/or replacement.
  - The contents described in the parts list may change due to improvement.
  - The drawings of the spare parts are only indicative and might not represent the part in question exactly.
  - The indications "right" - "left" - "front" - "rear" refer to the position of the operator when using the machine.
- When placing orders of parts for repair and/or replacement, make sure that the illustrated parts list is the one applying to the machine's year of manufacture, as shown on the identification plate attached to the machine.

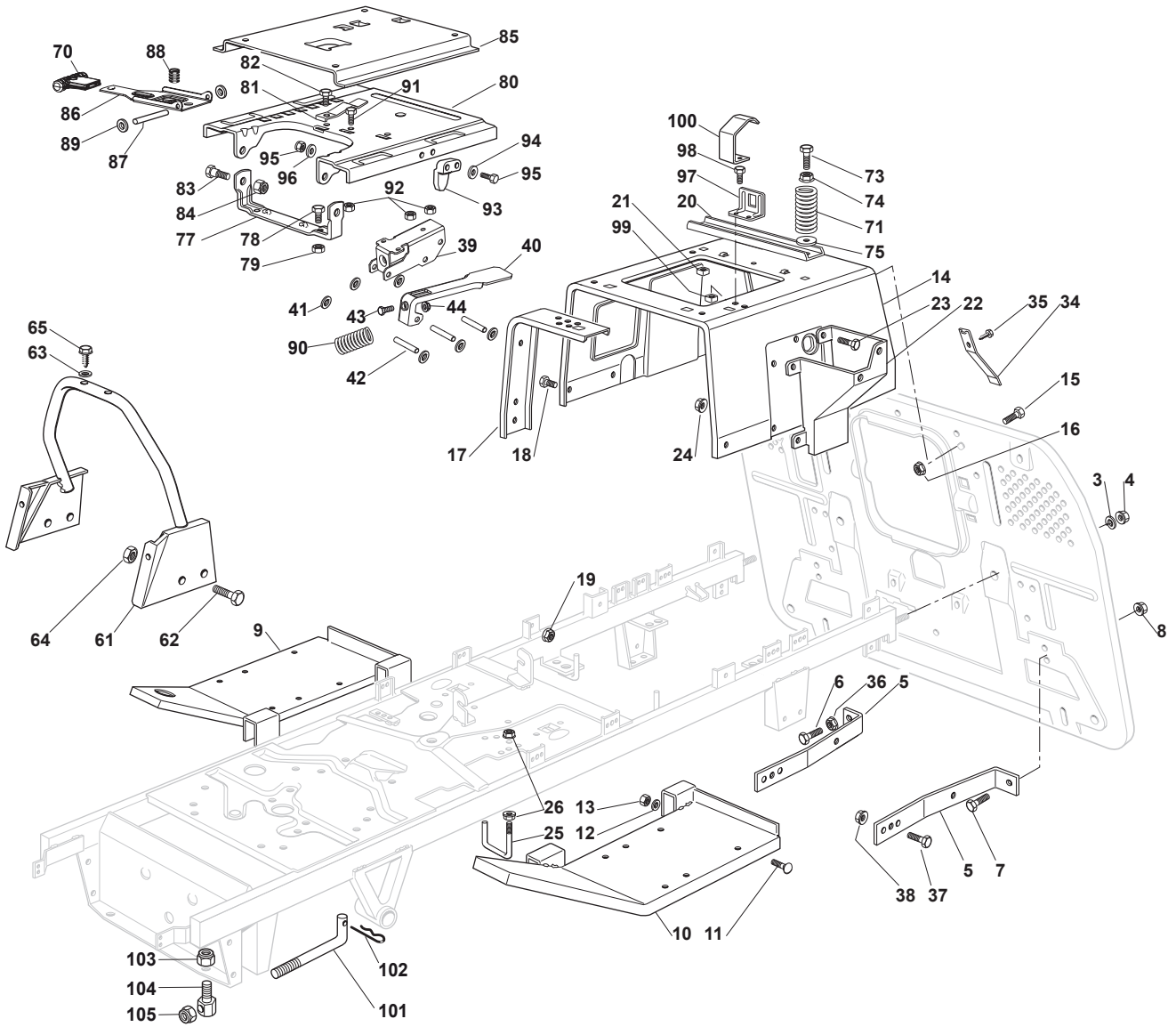
© Copyright 2016 Global Garden Products

All rights reserved. No part of this material may be reproduced or transmitted, in any form or by any means, electronic or mechanical, including photocopying, recording or by any information storage and retrieval system, without permission in writing from GLOBAL GARDEN PRODUCTS.

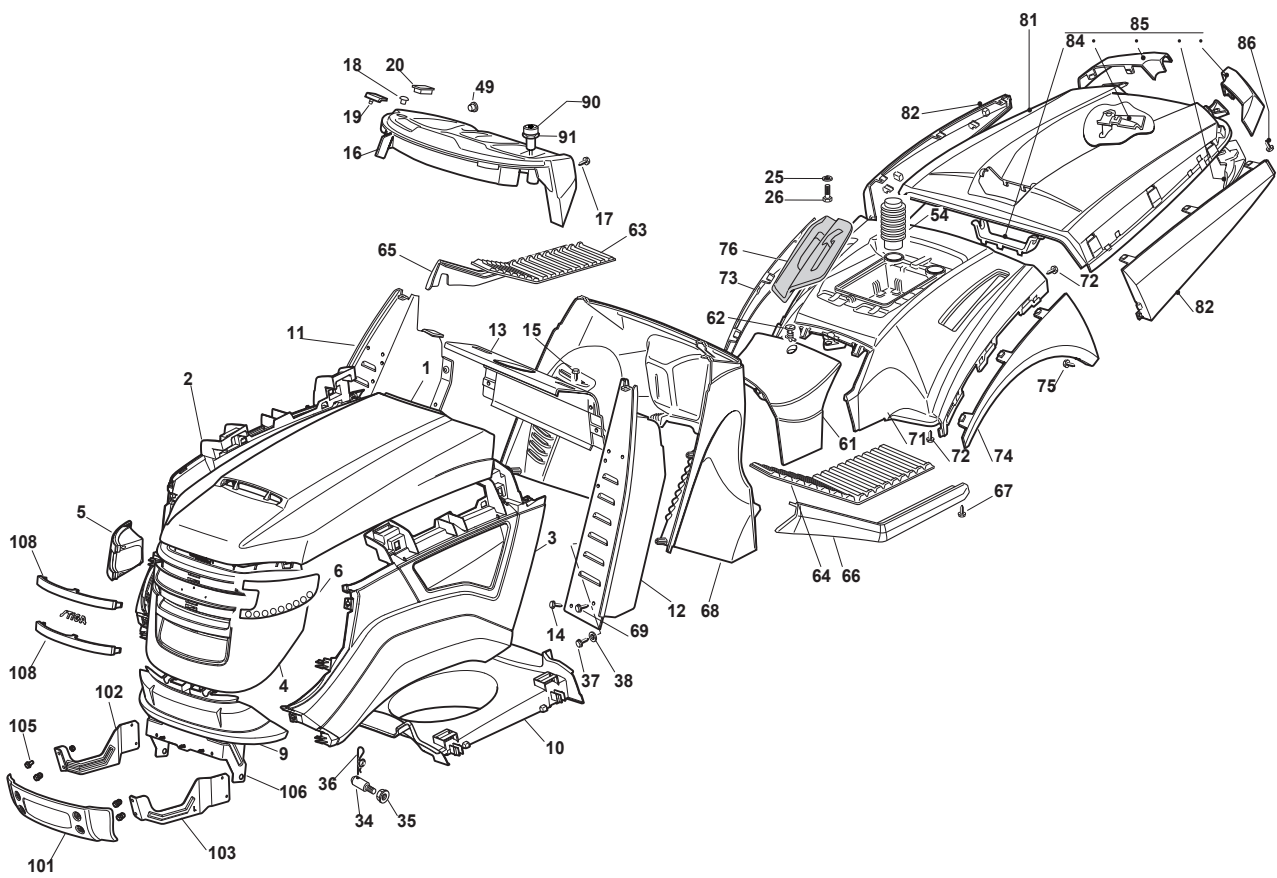
*[www.stiga.com](http://www.stiga.com)*



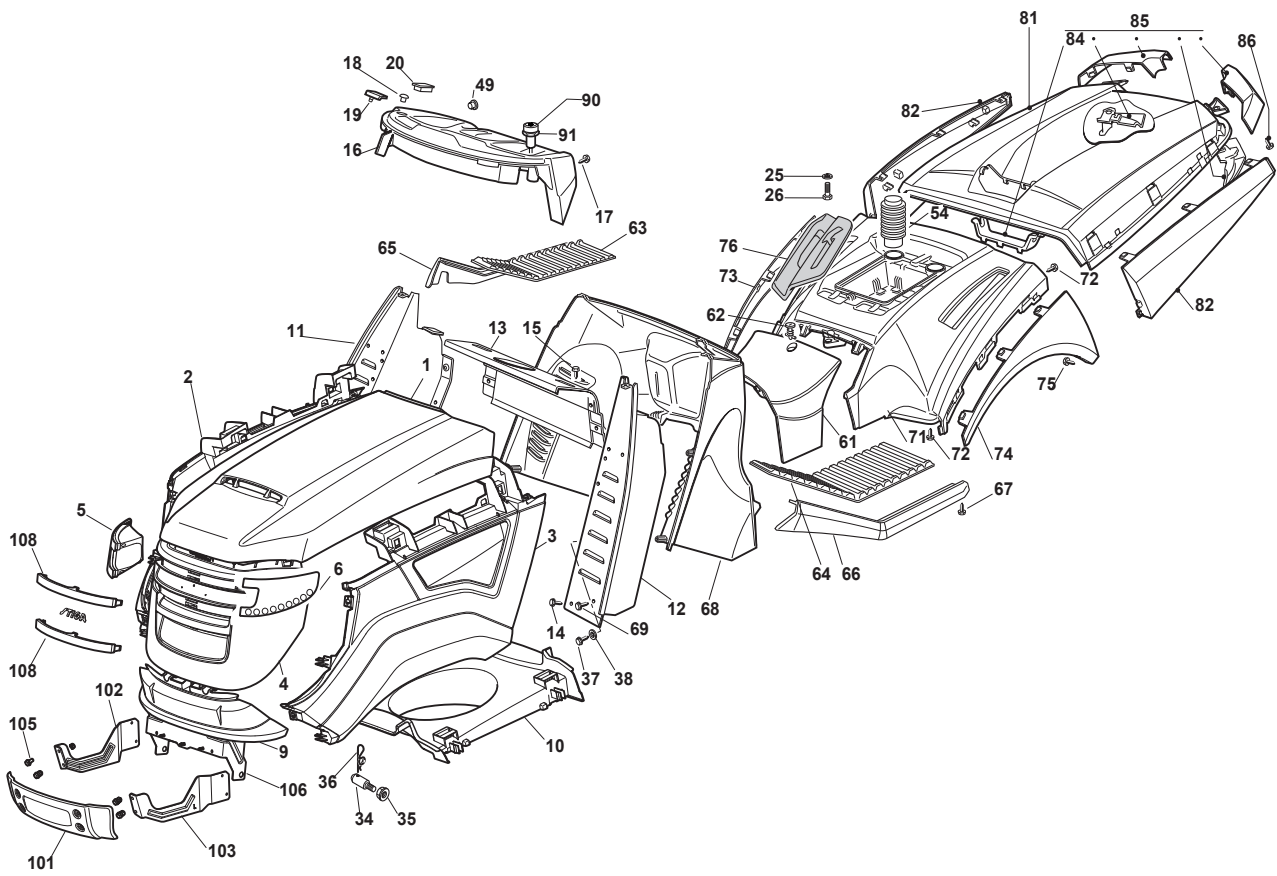
| Utgåva<br>Issue<br>3 - 2016 |               | Kaross            | Chassis            |                         |                     |
|-----------------------------|---------------|-------------------|--------------------|-------------------------|---------------------|
| Pos.<br>Fig.                | Antal<br>Q.ty | Art nr<br>Part No | Benämning          | Description             | Anmärkning<br>Notes |
| 3                           | 2             | 112585100/0       | Bricka             | Washer                  |                     |
| 4                           | 2             | 112295200/0       | Mutter             | Nut                     |                     |
| 5                           | 2             | 325774273/1       | Förstärkningsstag  | Stiffening              |                     |
| 6                           | 1             | 112691100/0       | Skruv              | Screw                   |                     |
| 7                           | 3             | 112793102/0       | Skruv              | Screw                   |                     |
| 8                           | 4             | 112293201/0       | Mutter             | Nut                     |                     |
| 9                           | 1             | 382510041/2       | Fotstegsstöd-hö    | Right Footboard Support |                     |
| 10                          | 1             | 382510043/2       | Fotstegsstöd-vä    | Left Footboard Support  |                     |
| 11                          | 4             | 112815245/0       | Skruv              | Screw                   |                     |
| 12                          | 4             | 112523040/0       | Bricka             | Washer                  |                     |
| 13                          | 4             | 112154510/0       | Mutter             | Nut                     |                     |
| 14                          | 1             | 325785133/5       | Sitsfäste          | Seat Support            |                     |
| 15                          | 5             | 112791011/0       | Skruv              | Screw                   |                     |
| 16                          | 5             | 112292102/0       | Mutter             | Nut                     |                     |
| 17                          | 2             | 325650065/0       | Förstärkning       | Stiffening              |                     |
| 18                          | 6             | 112791011/0       | Skruv              | Screw                   |                     |
| 19                          | 6             | 112292102/0       | Mutter             | Nut                     |                     |
| 20                          | 1             | 325650067/0       | Förstärkning       | Stiffening              |                     |
| 21                          | 2             | 112360420/0       | Mutter             | Nut                     |                     |
| 22                          | 1             | 325785137/1       | Fäste              | Support                 |                     |
| 23                          | 4             | 112791011/0       | Skruv              | Screw                   |                     |
| 24                          | 4             | 112292102/0       | Mutter             | Nut                     |                     |
| 25                          | 1             | 125580019/0       | Remstyrning        | Belt Guide Peg          |                     |
| 26                          | 2             | 112292102/0       | Mutter             | Nut                     |                     |
| 34                          | 1             | 125430238/1       | Fjäder             | Spring                  |                     |
| 35                          | 1             | 112731580/0       | Skruv              | Screw                   |                     |
| 36                          | 1             | 112293200/0       | Mutter             | Nut                     |                     |
| 37                          | 2             | 112793102/0       | Skruv              | Screw                   |                     |
| 38                          | 2             | 112293201/0       | Mutter             | Nut                     |                     |
| 39                          | 1             | 325774575/0       | Fulcrum Klämma     | Fulcrum Clamp           |                     |
| 40                          | 1             | 325318327/0       | Spak               | Lever                   |                     |
| 41                          | 6             | 112604896/0       | Starlock P6493 6   | Crown Fastener          |                     |
| 42                          | 3             | 122517866/0       | Stift              | Pin                     |                     |
| 43                          | 1             | 112735661/0       | Skruv              | Screw                   |                     |
| 44                          | 1             | 112154510/0       | Mutter             | Nut                     |                     |
| 61                          | 1             | 382650045/0       | Central Stiffening | Chassis                 |                     |
| 62                          | 4             | 112792611/0       | Skruv              | Screw                   |                     |
| 63                          | 2             | 112521330/0       | Bricka             | Washer                  |                     |
| 64                          | 4             | 112292102/0       | Mutter             | Nut                     |                     |
| 65                          | 2             | 112731350/0       | Skruv              | Screw                   |                     |
| 70                          | 1             | 322394505/0       | Knopp              | Knob                    |                     |
| 71                          | 2             | 125430205/1       | Fjäder             | Spring                  |                     |
| 73                          | 2             | 125943001/1       | Skruv              | Screw                   |                     |
| 74                          | 2             | 112293201/0       | Mutter             | Nut                     |                     |
| 75                          | 2             | 112523070/0       | Bricka             | Washer                  |                     |
| 77                          | 1             | 382774207/0       | Fäste              | Seat Clamp Support      |                     |
| 78                          | 2             | 112792611/0       | Skruv              | Screw                   |                     |
| 79                          | 2             | 112293201/0       | Mutter             | Nut                     |                     |
| 80                          | 1             | 325785149/3       | Sitsstöd           | Fixed Seat Support      |                     |



| Utgåva<br>Issue<br>3 - 2016 |               | Kaross<br>Chassis |             |                 |                     |
|-----------------------------|---------------|-------------------|-------------|-----------------|---------------------|
| Pos.<br>Fig.                | Antal<br>Q.ty | Art nr<br>Part No | Benämning   | Description     | Anmärkning<br>Notes |
| 81                          | 1             | 125430203/1       | Fjäder      | Spring          |                     |
| 82                          | 1             | 112731580/0       | Skruv       | Screw           |                     |
| 83                          | 2             | 122524970/2       | Stift       | Fulcrum Pin     |                     |
| 84                          | 2             | 112155010/0       | Mutter      | Nut             |                     |
| 85                          | 1             | 325785147/2       | Sitsfäste   | Seat Support    |                     |
| 86                          | 1             | 325318303/0       | Stopparm    | Stop Lever      |                     |
| 87                          | 1             | 125510000/0       | Stift       | Pin             |                     |
| 88                          | 1             | 125430202/1       | Fjäder      | Spring          |                     |
| 89                          | 2             | 112604897/0       | Bricka      | Elastic Washer  |                     |
| 90                          | 1             | 125430285/0       | Fjäder      | Spring          |                     |
| 91                          | 1             | 112789000/0       | Skruv       | Screw           |                     |
| 92                          | 1             | 112154330/0       | Mutter      | Nut             |                     |
| 93                          | 1             | 325060049/0       | Kam         | Seat Switch Cam |                     |
| 94                          | 2             | 112815050/0       | Skruv       | Screw           |                     |
| 95                          | 4             | 112521320/0       | Bricka      | Washer          |                     |
| 96                          | 2             | 112154330/0       | Mutter      | Nut             |                     |
| 97                          | 1             | 325755025/1       | Vinkelfäste | Bracket         |                     |
| 98                          | 2             | 112735110/0       | Skruv       | Screw           |                     |
| 99                          | 2             | 112437502/0       | Plat        | Plate           |                     |
| 100                         | 1             | 325430255/0       | Fjäder      | Spring          |                     |
| 101                         | 2             | 125510119/0       | Stag        | Tie Rod         |                     |
| 102                         | 2             | 124487997/0       | Lasnal      | Cotter Pin      |                     |
| 103                         | 2             | 125510040/1       | Stift       | Pin             |                     |
| 104                         | 2             | 112155000/0       | Mutter      | Nut             |                     |
| 105                         | 2             | 112155000/0       | Mutter      | Nut             |                     |

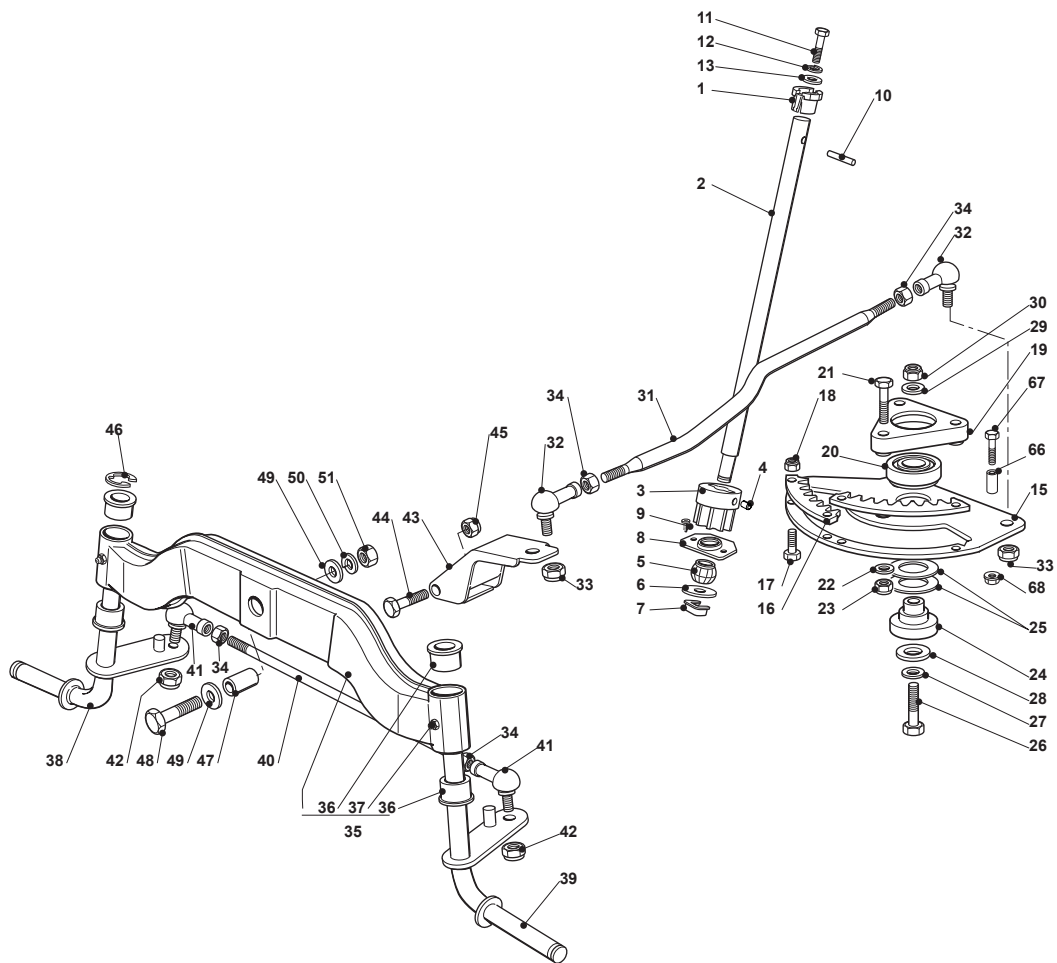


| Utgåva<br>Issue<br>3 - 2016 |               | Kaross            |                                  | Body                              |                     |
|-----------------------------|---------------|-------------------|----------------------------------|-----------------------------------|---------------------|
| Pos.<br>Fig.                | Antal<br>Q.ty | Art nr<br>Part No | Benämning                        | Description                       | Anmärkning<br>Notes |
| 9                           | 1             | 325076959/1       | Lower Grey Hood, Front           | Lower Grey Hood, Front            |                     |
| 10                          | 1             | 325108031/0       | Luftledare                       | Conveyor                          |                     |
| 11                          | 1             | 382785022/9       | Panelstöd-hö                     | Right Dashboard Support           |                     |
| 12                          | 1             | 382785021/8       | Panelfäste, vänster              | Left Dashboard Support            |                     |
| 13                          | 1             | 382785137/0       | Panelstöd-Mittre                 | Central Dashboard Support         |                     |
| 14                          | 2             | 112735110/0       | Skruv                            | Screw                             |                     |
| 15                          | 4             | 112735110/0       | Skruv                            | Screw                             |                     |
| 16                          | 1             | 325120254/0       | Panel svart                      | Black Dashboard                   |                     |
| 17                          | 4             | 112728440/0       | Skruv                            | Screw                             |                     |
| 18                          | 2             | 125120200/0       | Plugg                            | Cap                               |                     |
| 19                          | 2             | 125260000/0       | Skydd                            | Grommet                           |                     |
| 20                          | 1             | 325120234/0       | Lock                             | Cap                               |                     |
| 21                          | 1             | 112620299/0       | Spännstift                       | Elastic Pin                       |                     |
| 25                          | 4             | 112583500/0       | Lasbricka                        | Grower                            |                     |
| 26                          | 4             | 112793102/0       | Skruv                            | Screw                             |                     |
| 34                          | 2             | 125510068/0       | Stift                            | Pin                               |                     |
| 35                          | 2             | 112293201/0       | Mutter                           | Nut                               |                     |
| 36                          | 1             | 124487998/0       | Fjäder Clip                      | Cotter Pin                        |                     |
| 37                          | 2             | 112731350/0       | Skruv                            | Screw                             |                     |
| 38                          | 2             | 112521330/0       | Bricka                           | Washer                            |                     |
| 49                          | 1             | 325120233/0       | Lock                             | Cap                               |                     |
| 54                          | 2             | 325737002/0       | Huv                              | Hood                              |                     |
| 61                          | 1             | 325110466/0       | Grey Central Cover               | Grey Central Cover                |                     |
| 62                          | 1             | 125580020/2       | Stift                            | Stake                             |                     |
| 63                          | 1             | 325110278/1       | Fotstegsskydd-hö                 | Right Footboard Cover             |                     |
| 64                          | 1             | 325110279/0       | Fotstegsskydd-Vä                 | Left Footboard Cover              |                     |
| 65                          | 1             | 325599018/0       | Panelstöd-Va                     | Left, Footboard Profile           |                     |
| 66                          | 1             | 325599017/0       | Panelstöd-hö                     | Right, Footboard Profile          |                     |
| 67                          | 6             | 112731580/0       | Skruv                            | Screw                             |                     |
| 68                          | 1             | 325785449/0       | Panel                            | Black Dashboard Support           |                     |
| 69                          | 7             | 112735403/0       | Skruv                            | Screw                             |                     |
| 71                          | 1             | 325109754/0       | Hjulkapa-Gul   Hjulkapa-gul      | Yellow Wheels Cover               |                     |
| 72                          | 4             | 112735402/0       | Skruv                            | Screw                             |                     |
| 73                          | 1             | 325109793/0       | Skärm, Höger                     | Right Wheel Cover                 |                     |
| 74                          | 1             | 325109794/0       | Hjulkapa-vä                      | Left Wheel Cover                  |                     |
| 75                          | 2             | 112728686/0       | Skruv                            | Screw                             |                     |
| 76                          | 1             | 325207129/0       | Kapa                             | Cover, Can Holder Tcx Hydro Black |                     |
| 81                          | 1             | 325110308/0       | Uppsamlarkapa                    | Grass-Catcher Cover               |                     |
| 82                          | 1             | 382110299/0       | Side Profil Assy                 | Side Profil Assy                  |                     |
| 84                          | 1             | 325394009/0       | Lock, Uppsamlarhandtag Tcx svart | Handle Cover                      |                     |
| 85                          | 1             | 382110300/0       | Angular Support Assy             | Angular Support Assy              |                     |
| 86                          | 4             | 112735403/0       | Skruv                            | Screw                             |                     |
| 90                          | 1             | 325605003/0       | Knapp                            | Button                            |                     |
| 91                          | 1             | 325256250/0       | Skruv                            | Screwed Ring                      |                     |
| 101                         | 1             | 382263503/0       | Stötfangare                      | Bumper                            |                     |
| 102                         | 2             | 382785251/0       | Right Support                    | Right Support                     |                     |
| 103                         | 4             | 382785253/0       | Left Support                     | Left Support                      |                     |
| 105                         | 4             | 112800815/0       | Skruv                            | Screw                             |                     |
| 106                         | 1             | 325774301/2       | Huvstöd                          | Engine Hood Support               |                     |

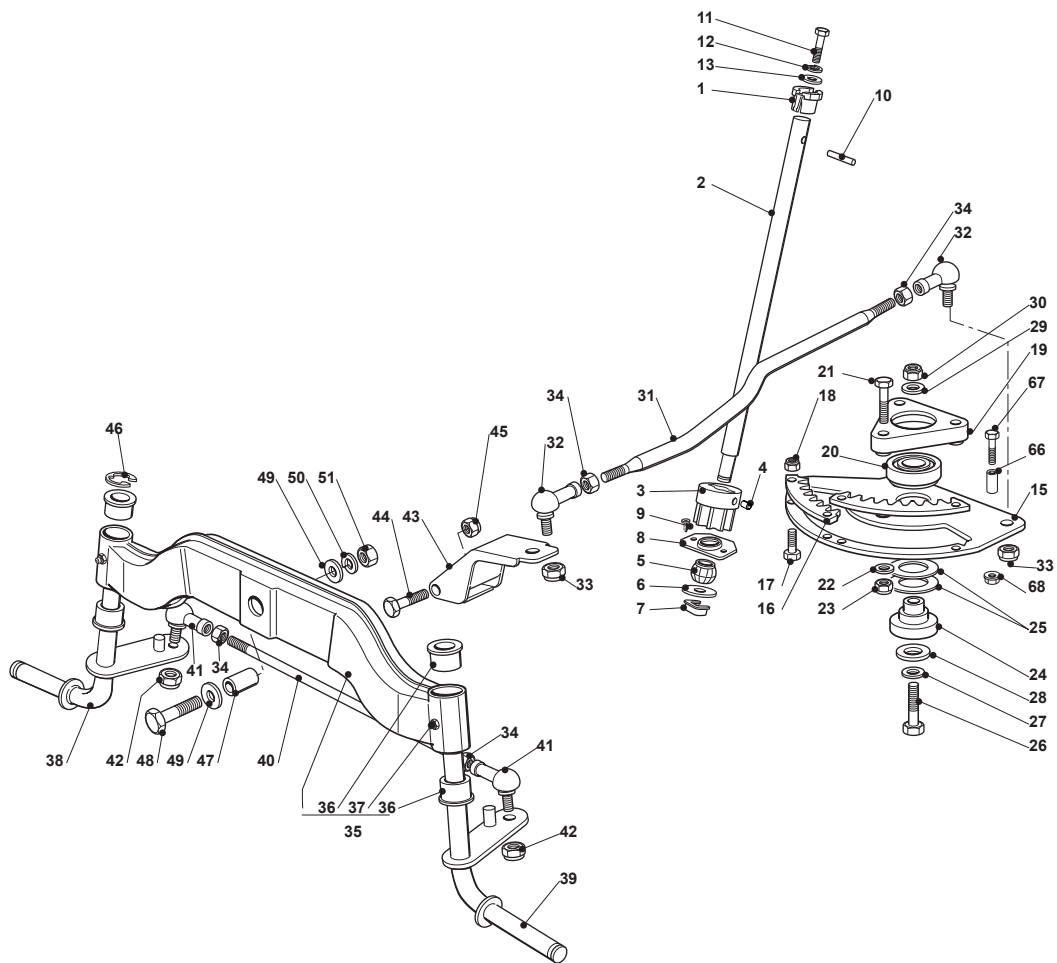




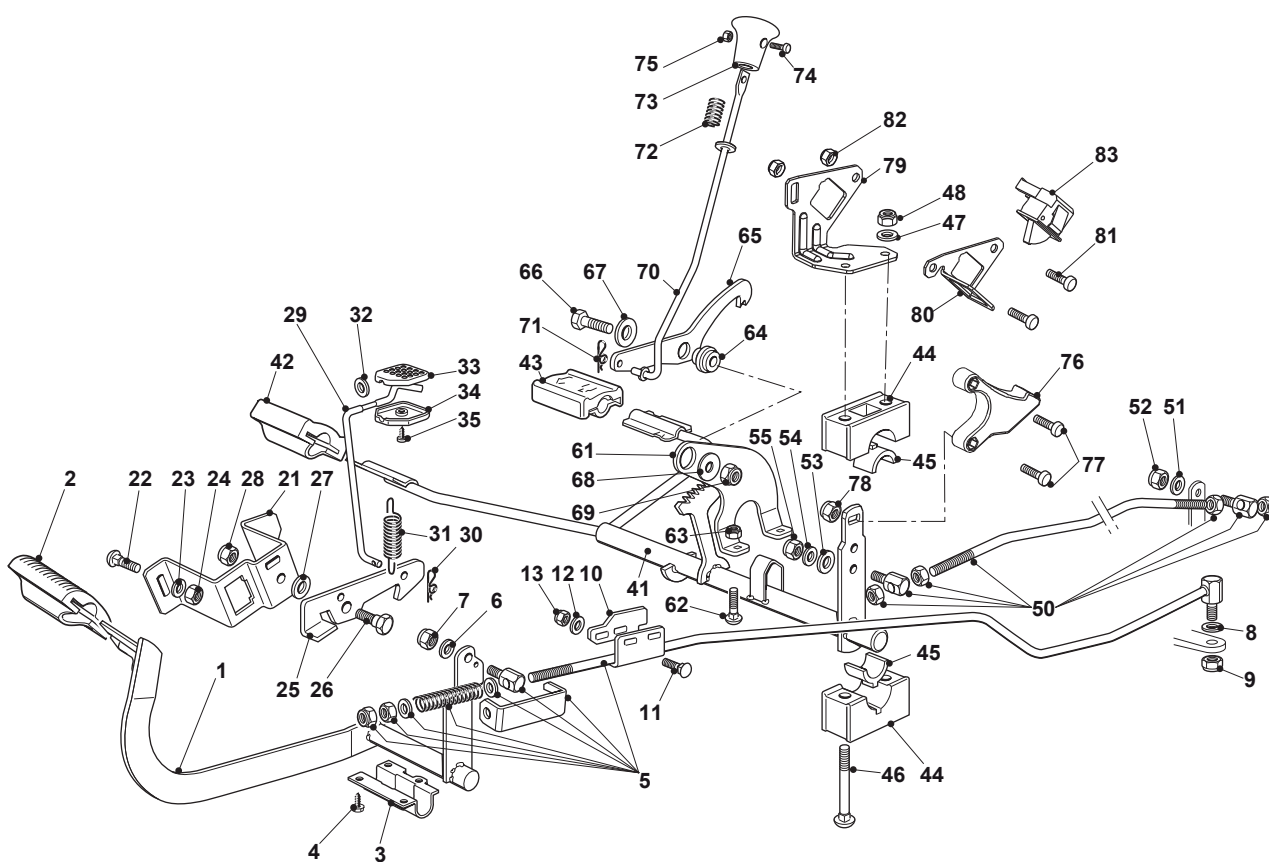
| Utgåva<br>Issue<br>3 - 2016 |               | Kaross<br>Body    |                        |                           |                     |
|-----------------------------|---------------|-------------------|------------------------|---------------------------|---------------------|
| Pos.<br>Fig.                | Antal<br>Q.ty | Art nr<br>Part No | Benämning              | Description               | Anmärkning<br>Notes |
| 108                         | 1             | 325076956/0       | Frontal Moulding       | Frontal Moulding          |                     |
| 1                           | 1             | 325076866/0       | Huv, gul               | Upper Engine Hood, Yellow |                     |
| 2                           | 1             | 382394646/0       | Side Hood, Left        | Side Hood, Left           |                     |
| 3                           | 1             | 382394645/0       | Side Hood, Right       | Side Hood, Right          |                     |
| 4                           | 1             | 325076953/0       | Lower Grey Hood, Front | Lower Grey Hood, Front    |                     |
| 5                           | 1             | 382185500/1       | Grill-Hö               | Right Grill               |                     |
| 6                           | 1             | 382185501/1       | Grill-Vä               | Left Grill                |                     |
| 8                           | 11            | 112735403/0       | Skruv                  | Screw                     |                     |



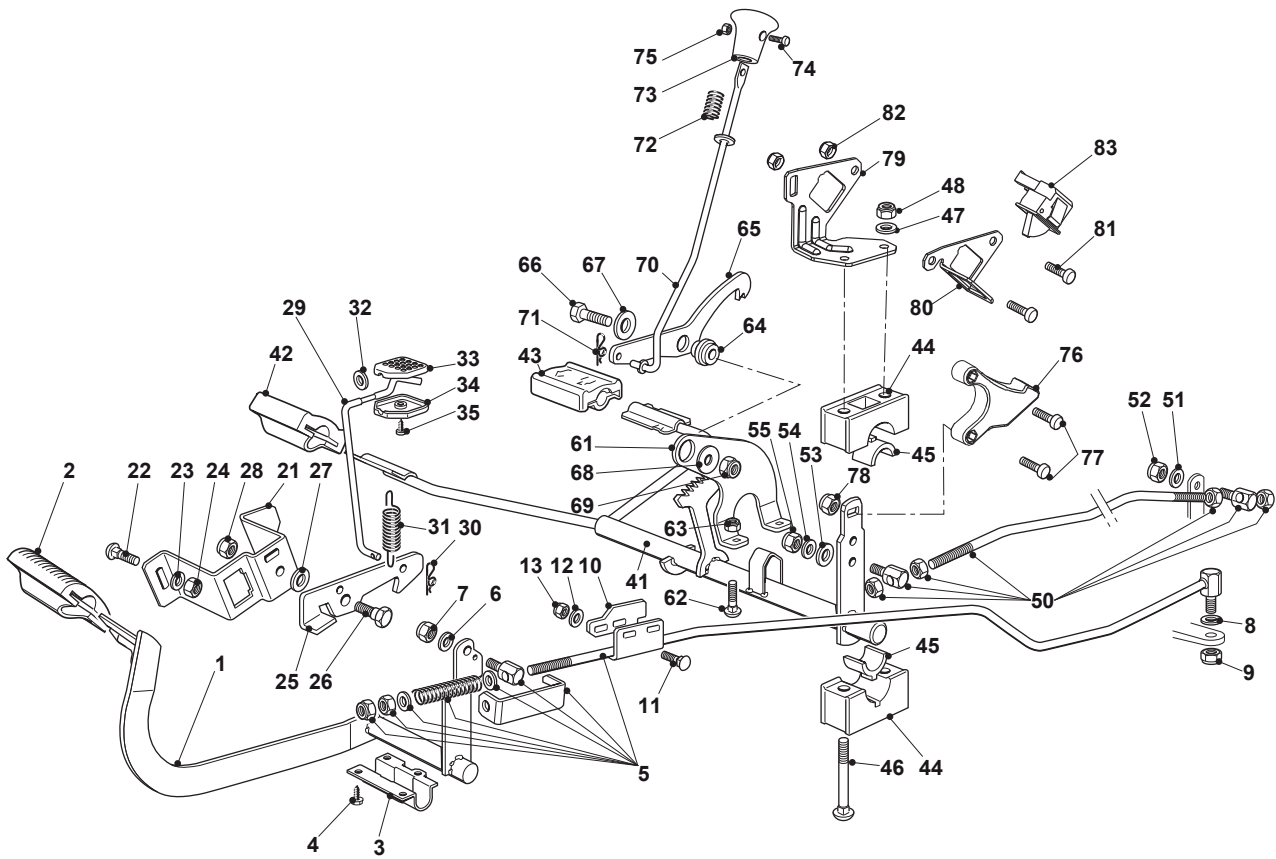
| Utgåva<br>Issue<br>3 - 2016 |               | Steering          |                |                                    |                     |
|-----------------------------|---------------|-------------------|----------------|------------------------------------|---------------------|
| Pos.<br>Fig.                | Antal<br>Q.ty | Art nr<br>Part No | Benämning      | Description                        | Anmärkning<br>Notes |
| 1                           | 1             | 325038004/0       | Bussning       | Bushing                            |                     |
| 2                           | 1             | 125520010/0       | Rattstang      | Steering Column                    |                     |
| 3                           | 1             | 125570004/0       | Drev           | Pinion                             |                     |
| 4                           | 1             | 112714300/0       | Dowel          | Dowel                              |                     |
| 5                           | 1             | 325743000/0       | Länk           | Joint                              |                     |
| 6                           | 1             | 112521370/0       | Bricka         | Washer                             |                     |
| 7                           | 1             | 112436030/0       | Plat           | Plate                              |                     |
| 8                           | 1             | 325785213/1       | Fäste          | Support                            |                     |
| 9                           | 2             | 112729601/1       | Skruv          | Screw                              |                     |
| 10                          | 1             | 112620250/0       | Spännstift     | Pin                                |                     |
| 11                          | 1             | 112691800/0       | Skruv          | Screw                              |                     |
| 12                          | 1             | 112583500/0       | Lasbricka      | Grower                             |                     |
| 13                          | 1             | 112523060/0       | Bricka         | Washer                             |                     |
| 15                          | 1             | 325735523/0       | Höjdsegment    | Steering Sector                    |                     |
| 16                          | 2             | 325150000/0       | Rack           | Rack                               |                     |
| 17                          | 4             | 112791213/1       | Skruv          | Screw                              |                     |
| 18                          | 4             | 112154510/0       | Mutter         | Nut                                |                     |
| 19                          | 1             | 325774453/0       | Fäste          | Clamp                              |                     |
| 20                          | 1             | 119216047/0       | Kullager       | Bearing                            |                     |
| 21                          | 3             | 112691100/0       | Skruv          | Screw                              |                     |
| 22                          | 3             | 112523060/0       | Bricka         | Washer                             |                     |
| 23                          | 3             | 112155000/0       | Mutter         | Nut                                |                     |
| 24                          | 1             | 125510120/0       | Fäste          | Support                            |                     |
| 25                          | 2             | 322672153/0       | Bricka         | Antifriction Washer                |                     |
| 26                          | 1             | 112692395/0       | Skruv          | Screw                              |                     |
| 27                          | 1             | 112523080/0       | Bricka         | Washer                             |                     |
| 28                          | 1             | 112521390/0       | Bricka         | Washer                             |                     |
| 29                          | 1             | 112523080/0       | Bricka         | Washer                             |                     |
| 30                          | 1             | 112156602/0       | Mutter         | Nut                                |                     |
| 31                          | 1             | 125033003/1       | Styrstag       | Steering Rod                       |                     |
| 32                          | 2             | 122746600/0       | Länk           | Joint                              |                     |
| 32                          | 2             | 122746616/0       | Länk           | Joint                              |                     |
| 33                          | 2             | 122746609/0       | Länk           | Joint                              |                     |
| 34                          | 4             | 112156602/0       | Mutter         | Nut                                |                     |
| 35                          | 1             | 382034001/3       | Bussning       | Equalizer With Bush And Lubricator |                     |
| 36                          | 4             | 125034002/1       | Bussning       | Bushing                            |                     |
| 37                          | 2             | 112379511/0       | Smörjnippel    | Grease Dispenser                   |                     |
| 38                          | 1             | 382230361/0       | Spindel-Hö     | Right Stub Axle                    |                     |
| 39                          | 1             | 382230359/0       | Hjulspindel-vä | Left Stub Axle                     |                     |
| 40                          | 1             | 325840001/0       | Stag           | Tie Rod                            |                     |
| 41                          | 2             | 122746616/0       | Länk           | Joint                              |                     |
| 42                          | 2             | 112156602/0       | Mutter         | Nut                                |                     |
| 43                          | 1             | 382318185/0       | Styrmarm       | Lever Ass.Y                        |                     |
| 44                          | 1             | 112692395/0       | Skruv          | Screw                              |                     |
| 45                          | 1             | 112155000/0       | Mutter         | Nut                                |                     |
| 46                          | 1             | 112001000/0       | Lasring        | Benzing Ring                       |                     |
| 47                          | 1             | 125160005/0       | Distans        | Spacer                             |                     |
| 48                          | 1             | 112694100/0       | Skruv          | Screw                              |                     |
| 49                          | 2             | 112521390/0       | Bricka         | Washer                             |                     |



| Utgåva<br>Issue<br>3 - 2016 |               | Steering          |           |             |                     |
|-----------------------------|---------------|-------------------|-----------|-------------|---------------------|
| Pos.<br>Fig.                | Antal<br>Q.ty | Art nr<br>Part No | Benämning | Description | Anmärkning<br>Notes |
| 50                          | 1             | 112587900/0       | Lasbricka | Grower      |                     |
| 51                          | 1             | 112295800/0       | Mutter    | Nut         |                     |
| 66                          | 1             | 122167840/0       | Distans   | Spacer      |                     |
| 67                          | 1             | 112691200/0       | Skruv     | Screw       |                     |
| 68                          | 1             | 112293201/0       | Mutter    | Nut         |                     |

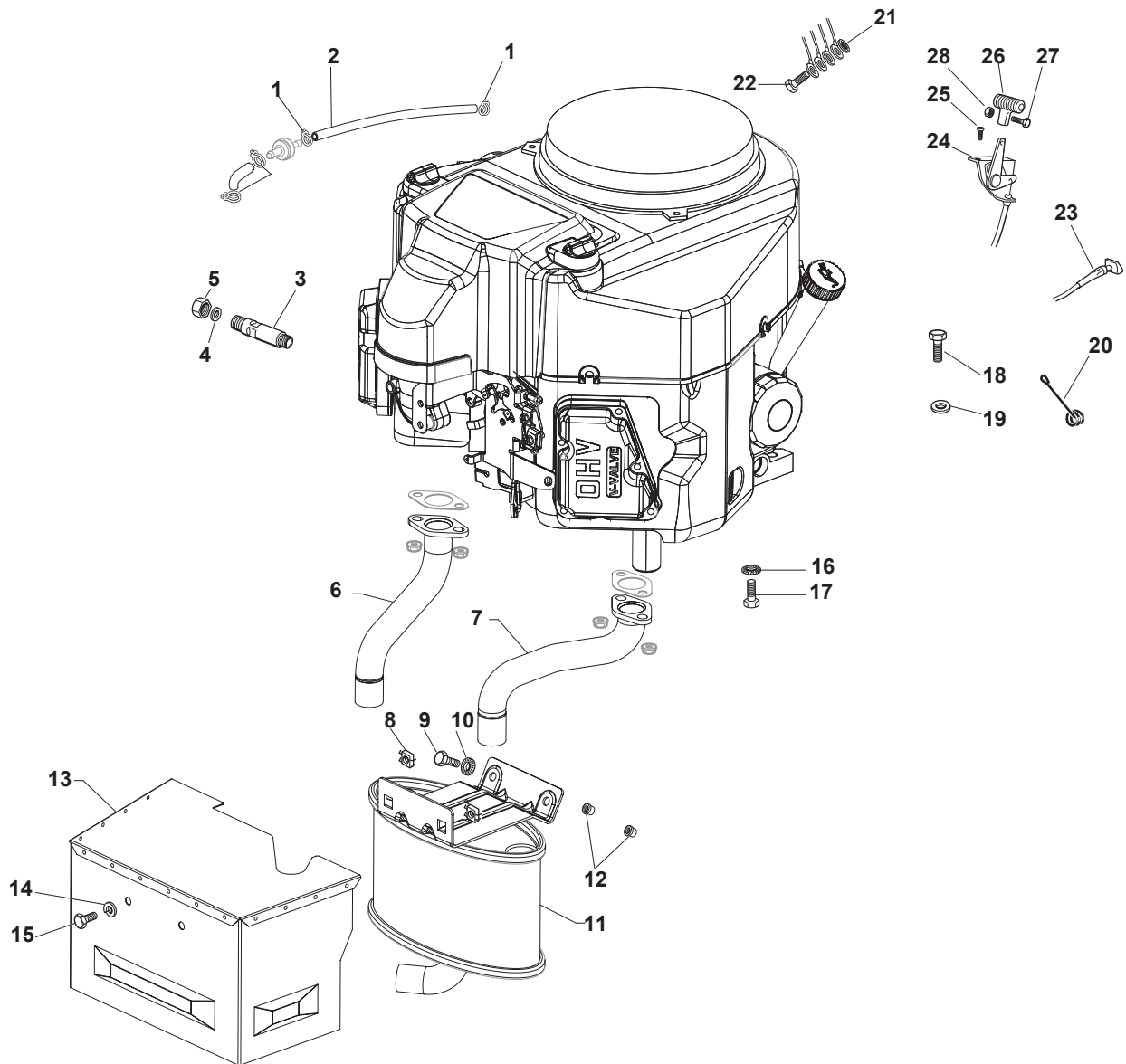


| Utgåva<br>Issue<br>3 - 2016 |               | Broms och växelreglage |            | Brake And Gearbox Controls |                     |
|-----------------------------|---------------|------------------------|------------|----------------------------|---------------------|
| Pos.<br>Fig.                | Antal<br>Q.ty | Art nr<br>Part No      | Benämning  | Description                | Anmärkning<br>Notes |
| 1                           | 1             | 382500011/2            | Bromspedal | Pedal                      |                     |
| 2                           | 1             | 325110416/0            | Fäste      | Clamp Cover                |                     |
| 3                           | 1             | 325547081/2            | Plat       | Plate                      |                     |
| 4                           | 4             | 112731601/0            | Skruv      | Screw                      |                     |
| 5                           | 1             | 382000626/0            | Bromsstang | Brake Rod Assy             |                     |
| 6                           | 1             | 112521350/0            | Bricka     | Washer                     |                     |
| 7                           | 1             | 112155000/0            | Mutter     | Nut                        |                     |
| 8                           | 2             | 112521360/0            | Bricka     | Washer                     |                     |
| 9                           | 1             | 112155000/0            | Mutter     | Nut                        |                     |
| 10                          | 1             | 325547281/1            | Plat       | Plate                      |                     |
| 11                          | 2             | 112815210/0            | Skruv      | Screw                      |                     |
| 12                          | 2             | 112523040/0            | Bricka     | Washer                     |                     |
| 13                          | 2             | 112154510/0            | Mutter     | Nut                        |                     |
| 21                          | 1             | 325785143/1            | Fäste      | Support                    |                     |
| 22                          | 2             | 112815210/0            | Skruv      | Screw                      |                     |
| 23                          | 1             | 112523040/0            | Bricka     | Washer                     |                     |
| 24                          | 2             | 112154510/0            | Mutter     | Nut                        |                     |
| 25                          | 1             | 325253001/0            | Spärr      | Hook                       |                     |
| 26                          | 1             | 122524970/2            | Stift      | Fulcrum Pin                |                     |
| 27                          | 1             | 325670011/0            | Bricka     | Antifriction Washer        |                     |
| 28                          | 1             | 112155000/0            | Mutter     | Nut                        |                     |
| 29                          | 1             | 125033097/0            | Stang      | Rod                        |                     |
| 30                          | 1             | 124487997/0            | Lasnal     | Cotter Pin                 |                     |
| 31                          | 1             | 125430213/0            | Fjäder     | Spring                     |                     |
| 32                          | 1             | 112523040/0            | Bricka     | Washer                     |                     |
| 33                          | 1             | 325592001/0            | Knopp      | Knob                       |                     |
| 34                          | 1             | 325592002/0            | Knopp      | Knob                       |                     |
| 35                          | 1             | 112727815/0            | Skruv      | Screw                      |                     |
| 41                          | 1             | 382000389/1            | Drivpedal  | Drive Pedal                |                     |
| 42                          | 1             | 325110417/0            | Fäste      | Clamp Cover Front          |                     |
| 43                          | 1             | 325110418/0            | Fäste      | Clamp Cover Rear           |                     |
| 44                          | 4             | 325785354/0            | Fäste      | Support                    |                     |
| 45                          | 4             | 325034003/0            | Distans    | Brass                      |                     |
| 46                          | 4             | 112815271/0            | Skruv      | Screw                      |                     |
| 47                          | 4             | 112523040/0            | Bricka     | Washer                     |                     |
| 48                          | 4             | 112154510/0            | Mutter     | Nut                        |                     |
| 50                          | 1             | 382000579/0            | Stang      | Rod                        |                     |
| 51                          | 1             | 112523040/0            | Bricka     | Washer                     |                     |
| 52                          | 1             | 112154510/0            | Mutter     | Nut                        |                     |
| 53                          | 1             | 112521360/0            | Bricka     | Washer                     |                     |
| 54                          | 1             | 112523040/0            | Bricka     | Washer                     |                     |
| 55                          | 1             | 112154510/0            | Mutter     | Nut                        |                     |
| 61                          | 1             | 325774477/0            | Fäste      | Clamp                      |                     |
| 62                          | 2             | 112815210/0            | Skruv      | Screw                      |                     |
| 63                          | 2             | 112292102/0            | Mutter     | Nut                        |                     |
| 64                          | 1             | 125040638/0            | Bussning   | Bushing                    |                     |
| 65                          | 1             | 325022000/1            | Spärr      | Hook                       |                     |
| 66                          | 1             | 112691100/0            | Skruv      | Screw                      |                     |
| 67                          | 1             | 112523060/0            | Bricka     | Washer                     |                     |

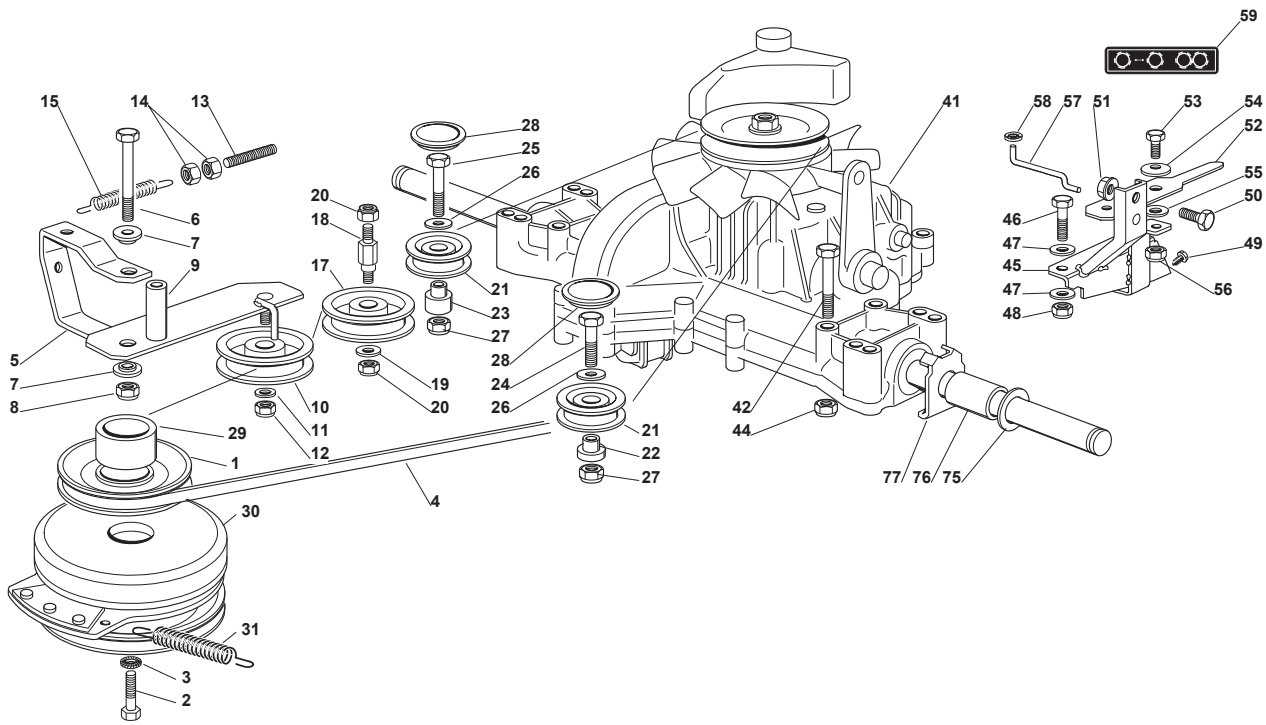




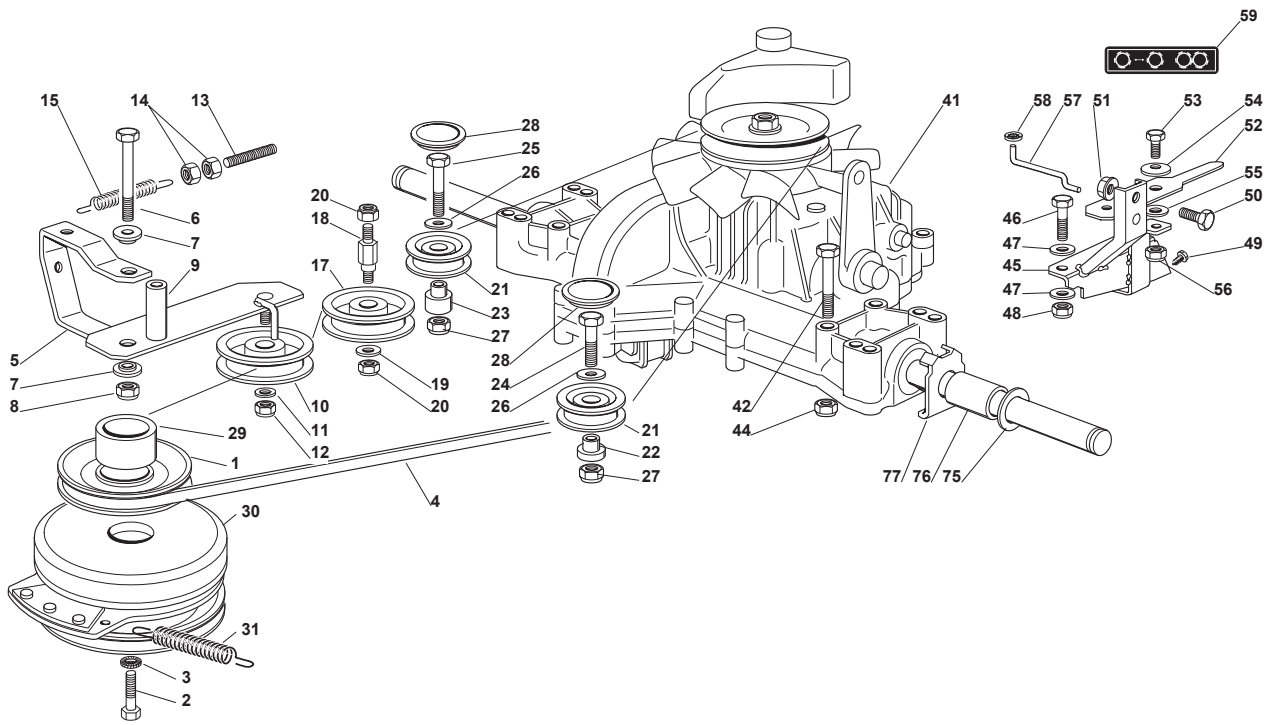
| Utgåva<br>Issue<br>3 - 2016 |               | Broms och växelreglage<br>Brake And Gearbox Controls |               |                      |                     |
|-----------------------------|---------------|--|---------------|----------------------|---------------------|
| Pos.<br>Fig.                | Antal<br>Q.ty | Art nr<br>Part No                                    | Benämning     | Description          | Anmärkning<br>Notes |
| 68                          | 1             | 322672152/0  | Bricka        | Antifriction Washer  |                     |
| 69                          | 1             | 112155000/0  | Mutter        | Nut                  |                     |
| 70                          | 1             | 125033091/0  | Stang         | Rod                  |                     |
| 71                          | 1             | 124487995/0  | Harnalssprint | Cotter Pin           |                     |
| 72                          | 1             | 125430232/0  | Fjäder        | Spring               |                     |
| 73                          | 1             | 325605002/0  | Knapp         | Button               |                     |
| 74                          | 1             | 112726389/0  | Skruv         | Screw                |                     |
| 75                          | 1             | 112290800/0  | Mutter        | Nut                  |                     |
| 76                          | 1             | 325060050/0  | Cam           | Cam                  |                     |
| 77                          | 1             | 112789100/0  | Skruv         | Screw                |                     |
| 78                          | 2             | 112154330/0  | Mutter        | Nut                  |                     |
| 79                          | 2             | 325755071/0  | Vinkelfäste   | Angle Bracket        |                     |
| 80                          | 1             | 325785479/0  | Brytare Fäste | Micro Switch Bracket |                     |
| 81                          | 2             | 112791400/0  | Skruv         | Screw                |                     |
| 82                          | 2             | 112292102/0  | Mutter        | Nut                  |                     |
| 83                          | 1             | 119410614/0  | Mikrobrytare  | Microswitch          |                     |



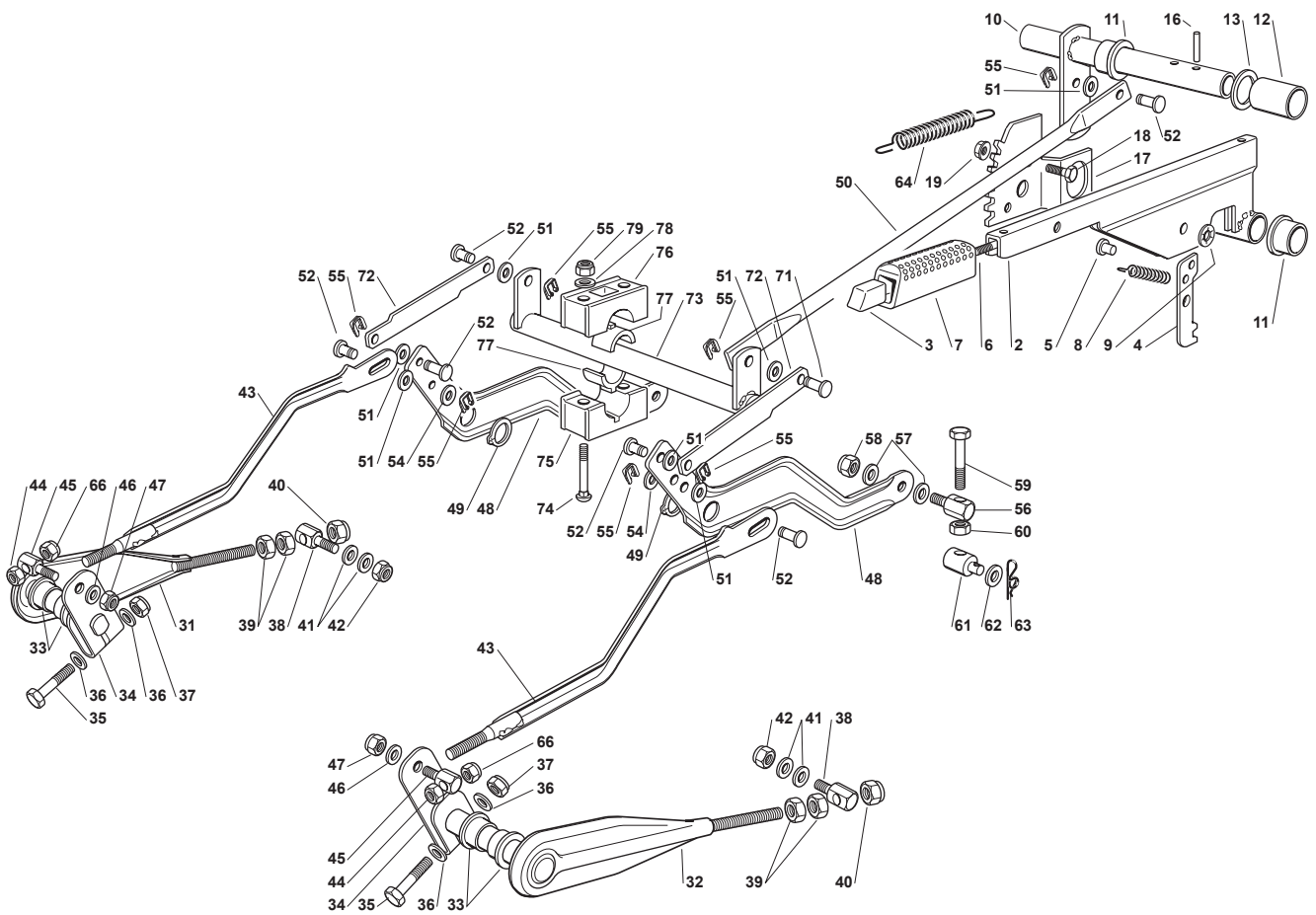
| Utgåva<br>Issue<br>3 - 2015 |                   | Motor - Kawasaki  |                                 | Engine - Kawasaki        |                     |
|-----------------------------|-------------------|-------------------|---------------------------------|--------------------------|---------------------|
| Pos.<br>Fig.                | Antal<br>Quantity | Art nr<br>Part No | Benämning                       | Description              | Anmärkning<br>Notes |
| 1                           | 2                 | 118375051/1       | Slangklämma                     | Fair Led                 |                     |
| 2                           | 1                 | 138780531/0       | Bensinslang                     | Fuel Tube                |                     |
| 3                           | 1                 | 127598060/0       | Oil Discharge Extension (Rider) | Oil Discharge Extension  |                     |
| 4                           | 1                 | 118401001/1       | Tätningring                     | Oil Seal                 |                     |
| 5                           | 1                 | 118737849/0       | Plugg                           | Plug                     |                     |
| 6                           | 1                 | 118738256/0       | VänsterExhaust Connection       | Left Exhaust Connection  |                     |
| 7                           | 1                 | 118738257/0       | Höger Exhaust Connection        | Right Exhaust Connection |                     |
| 8                           | 3                 | 112360425/0       | Mutter                          | Nut                      |                     |
| 9                           | 3                 | 112793102/0       | Skruv                           | Screw                    |                     |
| 10                          | 2                 | 112540260/0       | Lasbricka                       | Grower                   |                     |
| 11                          | 1                 | 182750014/0       | Ljuddämpare                     | Muffler                  |                     |
| 12                          | 2                 | 112280100/0       | Mutter                          | Nut                      |                     |
| 13                          | 1                 | 382598065/0       | Ljuddämparskydd                 | Muffler Protection       |                     |
| 14                          | 2                 | 112792611/0       | Skruv                           | Screw                    |                     |
| 15                          | 2                 | 112583500/0       | Lasbricka                       | Grower                   |                     |
| 16                          | 4                 | 112540070/0       | Bricka                          | Washer                   |                     |
| 17                          | 4                 | 112735821/0       | Skruv                           | Screw                    |                     |
| 18                          | 1                 | 112792611/0       | Skruv                           | Screw                    |                     |
| 19                          | 1                 | 112521350/0       | Bricka                          | Washer                   |                     |
| 20                          | 1                 | 125430252/0       | Fjäder                          | Spring                   |                     |
| 21                          | 3                 | 112540260/0       | Lasbricka                       | Grower                   |                     |
| 22                          | 3                 | 112793102/0       | Skruv                           | Screw                    |                     |
| 23                          | 1                 | 125090001/2       | Chokereglage                    | Choke Control            |                     |
| 24                          | 1                 | 182000201/2       | Gaswire                         | Accelerator              |                     |
| 25                          | 2                 | 125943012/0       | Skruv                           | Screw                    |                     |
| 26                          | 1                 | 325592000/0       | Knopp                           | Knob                     |                     |
| 27                          | 1                 | 112726388/0       | Skruv                           | Screw                    |                     |
| 28                          | 1                 | 112290800/0       | Mutter                          | Nut                      |                     |



| Utgåva<br>Issue<br>3 - 2016 |               | Transmission      |                  | Transmission             |                     |
|-----------------------------|---------------|-------------------|------------------|--------------------------|---------------------|
| Pos.<br>Fig.                | Antal<br>Q.ty | Art nr<br>Part No | Benämning        | Description              | Anmärkning<br>Notes |
| 4                           | 1             | 135062020/1       | Drivrem          | Trapezoidal Belt         |                     |
| 18                          | 1             | 125510139/0       | Stift            | Pin                      |                     |
| 1                           | 1             | 125601566/0       | Remskiva         | Pulley                   |                     |
| 2                           | 1             | 112737320/0       | Skruv            | Screw                    |                     |
| 3                           | 1             | 112543000/0       | Bricka           | Washer                   |                     |
| 5                           | 1             | 382318165/1       | Spännarm         | Lever                    |                     |
| 6                           | 1             | 112692000/0       | Skruv            | Screw                    |                     |
| 7                           | 2             | 125038002/1       | Bussning         | Bushing                  |                     |
| 8                           | 1             | 112155000/0       | Mutter           | Nut                      |                     |
| 9                           | 1             | 125160027/0       | Distans          | Spacer                   |                     |
| 10                          | 1             | 125601554/0       | Remskiva         | Pulley                   |                     |
| 11                          | 1             | 112523060/0       | Bricka           | Washer                   |                     |
| 12                          | 1             | 112155000/0       | Mutter           | Nut                      |                     |
| 13                          | 1             | 125840010/1       | Spännstang       | Tie Rod                  |                     |
| 14                          | 2             | 112293200/0       | Mutter           | Nut                      |                     |
| 15                          | 1             | 125430219/0       | Fjäder           | Spring                   |                     |
| 17                          | 1             | 325601599/0       | Remskiva         | Pulley                   |                     |
| 19                          | 1             | 112523060/0       | Bricka           | Washer                   |                     |
| 20                          | 2             | 112155000/0       | Mutter           | Nut                      |                     |
| 21                          | 2             | 325601570/1       | Remskiva         | Pulley                   |                     |
| 22                          | 1             | 125160030/2       | Distans          | Left Spacer              |                     |
| 23                          | 1             | 125160024/2       | Distans          | Right Spacer             |                     |
| 24                          | 1             | 112691115/0       | Skruv            | Screw                    |                     |
| 25                          | 1             | 112691400/0       | Skruv            | Screw                    |                     |
| 26                          | 2             | 112523060/0       | Bricka           | Washer                   |                     |
| 27                          | 2             | 112155000/0       | Mutter           | Nut                      |                     |
| 28                          | 2             | 125109521/1       | Kapa             | Cover                    |                     |
| 29                          | 1             | 125160021/0       | Distans          | Spacer                   |                     |
| 30                          | 1             | 118399062/0       | Magnetkoppling   | Electromagnetic Clutch   |                     |
| 31                          | 1             | 125430210/1       | Fjäder           | Brake Spring             |                     |
| 41                          | 1             | 118400950/1       | Transaxel (K46F) | Rear Axle Tuff Torq K46F |                     |
| 42                          | 4             | 112691800/0       | Skruv            | Screw                    |                     |
| 44                          | 4             | 112154210/0       | Mutter           | Nut                      |                     |
| 45                          | 1             | 382785109/0       | Fäste            | Support                  |                     |
| 46                          | 1             | 112691200/0       | Skruv            | Screw                    |                     |
| 47                          | 2             | 112521350/0       | Bricka           | Washer                   |                     |
| 48                          | 1             | 112155000/0       | Mutter           | Nut                      |                     |
| 49                          | 2             | 112735120/0       | Skruv            | Screw                    |                     |
| 50                          | 1             | 112792611/0       | Skruv            | Screw                    |                     |
| 51                          | 1             | 112293201/0       | Mutter           | Nut                      |                     |
| 52                          | 1             | 325318157/0       | Arm              | Lever                    |                     |
| 53                          | 1             | 112793102/0       | Skruv            | Screw                    |                     |
| 54                          | 1             | 112369500/0       | Bricka           | Elastic Washer           |                     |
| 55                          | 1             | 325670011/0       | Bricka           | Antifriction Washer      |                     |
| 56                          | 1             | 112155000/0       | Mutter           | Nut                      |                     |
| 57                          | 1             | 125033033/0       | Stag             | Rod                      |                     |
| 58                          | 1             | 112604896/0       | Starlock P6493 6 | Crown Fastener           |                     |
| 59                          | 1             | 114357423/2       | Dekal            | Label                    |                     |
| 75                          | 4             | 125670005/1       | Bricka           | Washer                   |                     |

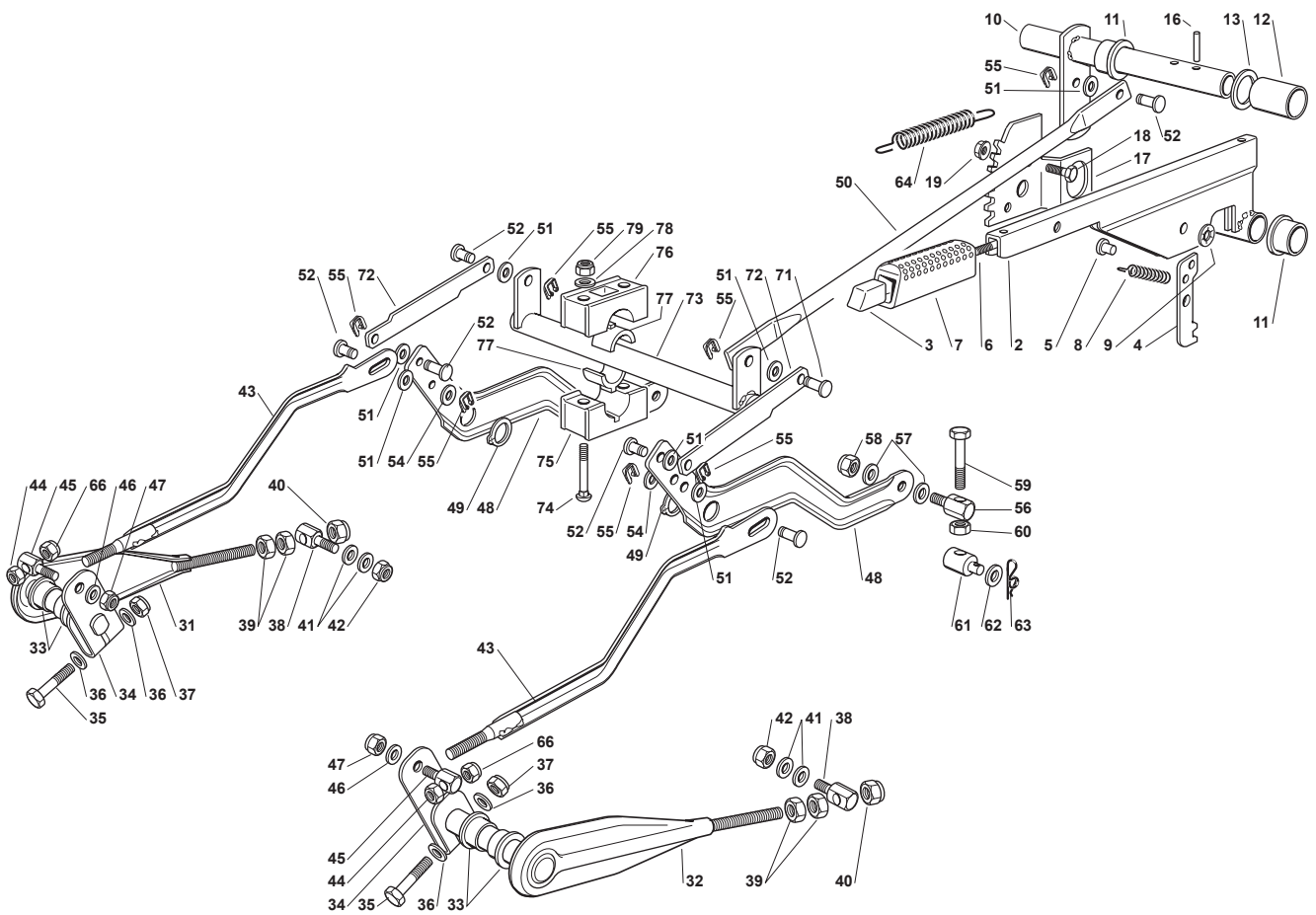


| Utgåva<br>Issue<br>3 - 2016 |               | Transmission      |           |             |                     |
|-----------------------------|---------------|-------------------|-----------|-------------|---------------------|
| Pos.<br>Fig.                | Antal<br>Q.ty | Art nr<br>Part No | Benämning | Description | Anmärkning<br>Notes |
| 76                          | 2             | 125160023/0       | Distans   | Spacer      |                     |
| 77                          | 2             | 325670025/0       | Bricka    | Washer      |                     |

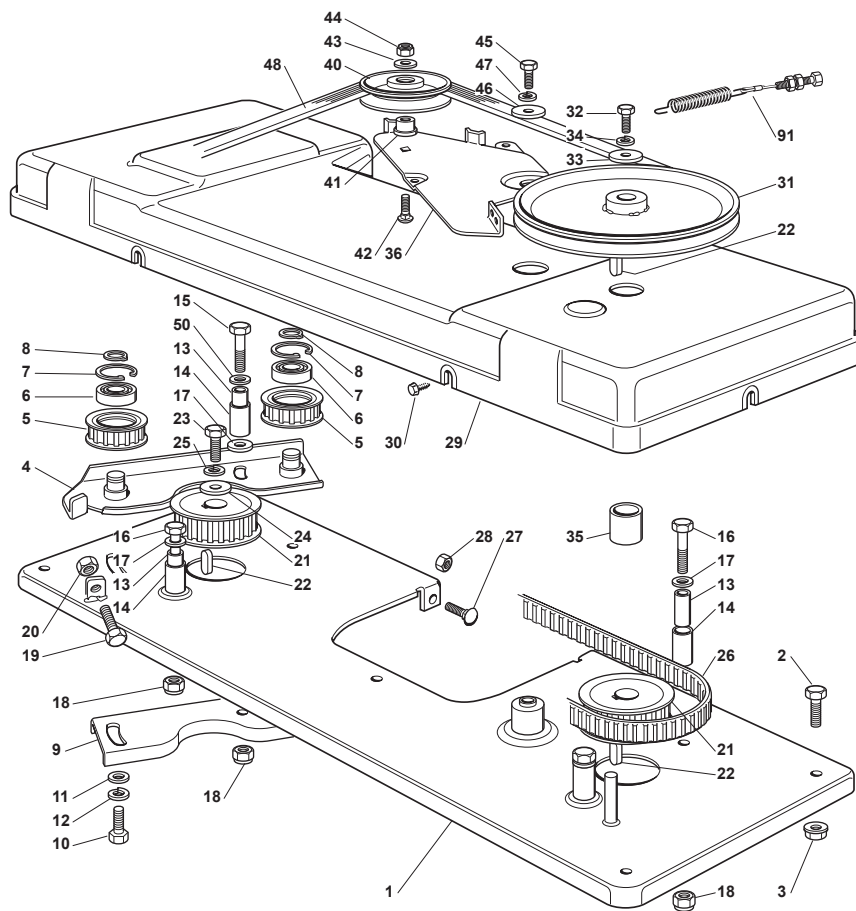




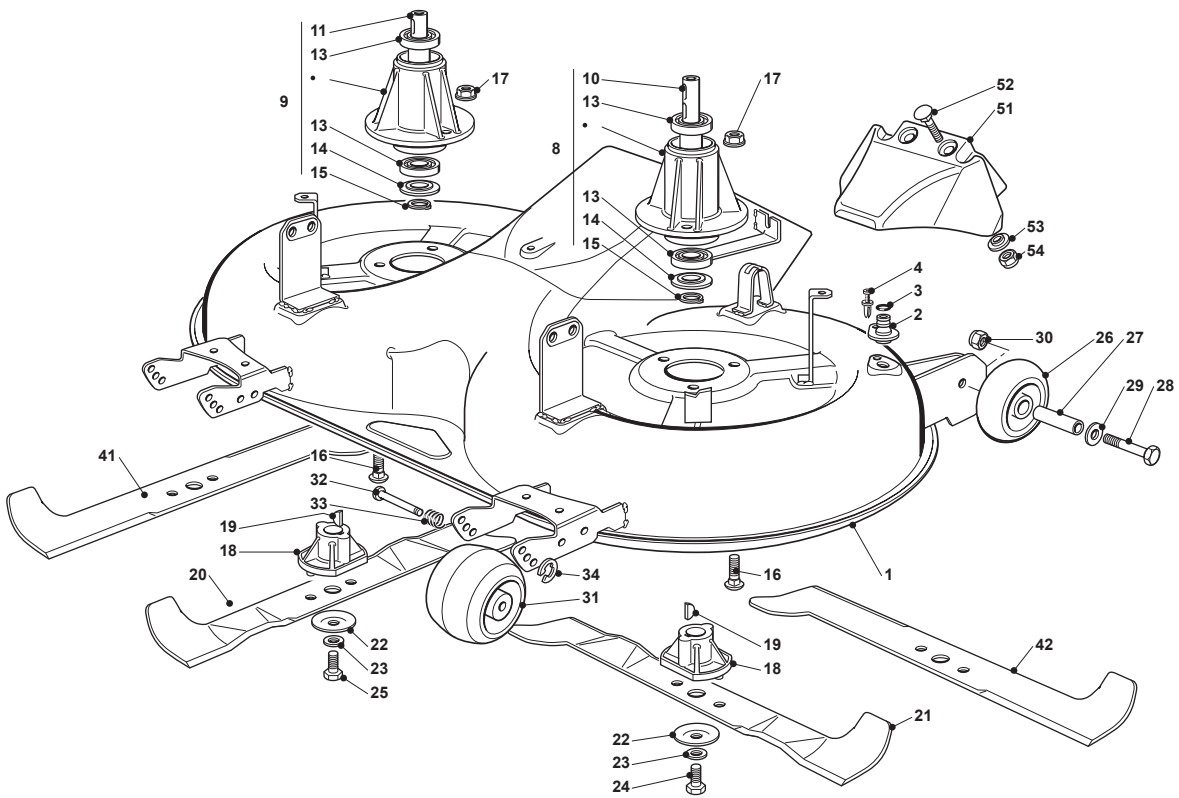
| Utgåva<br>Issue<br>3 - 2016 |               | Skärplatta, Lyft  |                            | Cutting Plate Lifting     |                     |
|-----------------------------|---------------|-------------------|----------------------------|---------------------------|---------------------|
| Pos.<br>Fig.                | Antal<br>Q.ty | Art nr<br>Part No | Benämning                  | Description               | Anmärkning<br>Notes |
| 2                           | 1             | 382318139/0       | Lyftspak                   | Deck Lifting Lever        |                     |
| 3                           | 1             | 125605000/1       | Tryckknapp                 | Button                    |                     |
| 4                           | 1             | 325470901/0       | Spärrhake                  | Dog                       |                     |
| 5                           | 1             | 125510011/0       | Stift                      | Pin                       |                     |
| 6                           | 1             | 125033002/0       | Tryckstang                 | Push Rod                  |                     |
| 7                           | 1             | 325394536/0       | Knopp                      | Knob                      |                     |
| 8                           | 1             | 125430208/0       | Fjäder                     | Spring                    |                     |
| 9                           | 1             | 112604899/0       | Starlock                   | Crown Fastener            |                     |
| 10                          | 1             | 382000551/0       | Lyftaxel                   | Axle                      |                     |
| 11                          | 2             | 122034523/0       | Bussning                   | Bushing                   |                     |
| 12                          | 1             | 125160025/0       | Distans                    | Spacer                    |                     |
| 13                          | 1             | 322672153/0       | Bricka                     | Antifriction Washer       |                     |
| 16                          | 2             | 112620206/0       | Spännstift                 | Pin                       |                     |
| 17                          | 1             | 325735506/1       | Höjdinställningssegment    | Left Sector               |                     |
| 18                          | 2             | 112792611/0       | Skruv                      | Screw                     |                     |
| 19                          | 2             | 112293201/0       | Mutter                     | Nut                       |                     |
| 31                          | 1             | 382318155/0       | Lyftarm Främre-Hö          | Front Right Fulcrum Lever |                     |
| 32                          | 1             | 382318157/0       | Lyftarm Främre-Vä          | Left Fulcrum              |                     |
| 33                          | 4             | 125040605/0       | Bussning                   | Bushing                   |                     |
| 34                          | 2             | 325318161/0       | Lyftarm                    | Lever                     |                     |
| 35                          | 2             | 112691700/0       | Skruv                      | Screw                     |                     |
| 36                          | 4             | 112521350/0       | Bricka                     | Washer                    |                     |
| 37                          | 2             | 112155000/0       | Mutter                     | Nut                       |                     |
| 38                          | 2             | 125510056/0       | Stift                      | Pin                       |                     |
| 39                          | 4             | 112295200/0       | Mutter                     | Nut                       |                     |
| 40                          | 2             | 112156602/0       | Mutter                     | Nut                       |                     |
| 41                          | 4             | 325670008/1       | Bricka                     | Washer                    |                     |
| 42                          | 2             | 112156602/0       | Mutter                     | Nut                       |                     |
| 43                          | 2             | 382000477/2       | Förbindningsstang-fra      | Connecting Rod Assy       |                     |
| 44                          | 2             | 112155000/0       | Mutter                     | Nut                       |                     |
| 45                          | 2             | 125510055/1       | Stift                      | Pin                       |                     |
| 46                          | 2             | 112521350/0       | Bricka                     | Washer                    |                     |
| 47                          | 2             | 112155000/0       | Mutter                     | Nut                       |                     |
| 48                          | 2             | 325318153/1       | Spak                       | Rear Lever                |                     |
| 49                          | 2             | 112609255/0       | Segersäkringsåkring Sga 19 | Seeger                    |                     |
| 50                          | 1             | 325033071/0       | Stang                      | Rod                       |                     |
| 51                          | 7             | 325670011/0       | Bricka                     | Antifriction Washer       |                     |
| 52                          | 7             | 125510117/0       | Stift                      | Pin                       |                     |
| 54                          | 2             | 112521350/0       | Bricka                     | Washer                    |                     |
| 55                          | 7             | 112436050/0       | Plat                       | Plate                     |                     |
| 56                          | 2             | 125510056/0       | Stift                      | Pin                       |                     |
| 57                          | 4             | 325670008/1       | Bricka                     | Washer                    |                     |
| 58                          | 2             | 112156602/0       | Mutter                     | Nut                       |                     |
| 59                          | 2             | 112794980/0       | Skruv                      | Screw                     |                     |
| 60                          | 2             | 112295200/0       | Mutter                     | Nut                       |                     |
| 61                          | 2             | 125510070/0       | Stift                      | Pin                       |                     |
| 62                          | 2             | 112523090/0       | Bricka                     | Washer                    |                     |
| 63                          | 2             | 124487998/0       | Fjäder Clip                | Cotter Pin                |                     |
| 64                          | 1             | 125430218/0       | Fjäder                     | Spring                    |                     |



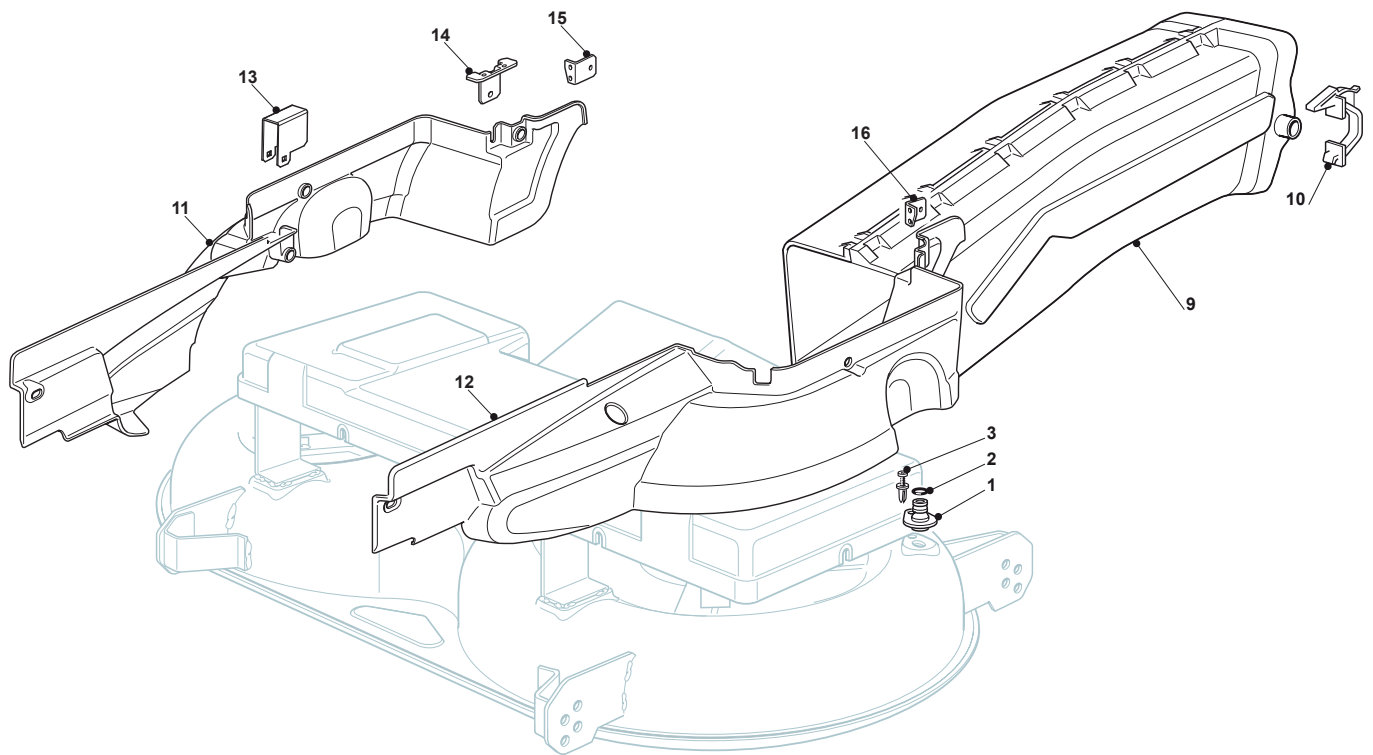
| Utgåva<br>Issue<br>3 - 2016 |               | Skärplatta, Lyft<br>Cutting Plate Lifting |           |             |                     |
|-----------------------------|---------------|---|-----------|-------------|---------------------|
| Pos.<br>Fig.                | Antal<br>Q.ty | Art nr<br>Part No                         | Benämning | Description | Anmärkning<br>Notes |
| 66                          | 2             | 112293200/0                               | Mutter    | Nut         |                     |
| 71                          | 1             | 125510048/1                               | Stift     | Pin         |                     |
| 72                          | 2             | 325318223/0                               | Stag      | Gearshift   |                     |
| 73                          | 1             | 382000585/0                               | Axel      | Axle        |                     |
| 74                          | 4             | 112815271/0                               | Skruv     | Screw       |                     |
| 75                          | 2             | 325785355/0                               | Fäste     | Support     |                     |
| 76                          | 2             | 325785354/0                               | Fäste     | Support     |                     |
| 77                          | 4             | 325034003/0                               | Distans   | Brass       |                     |
| 78                          | 4             | 112523040/0                               | Bricka    | Washer      |                     |
| 79                          | 4             | 112154510/0                               | Mutter    | Nut         |                     |



| Utgåva<br>Issue<br>3 - 2016 |               | Knivfäste         |                 | Blades Engagement |                     |
|-----------------------------|---------------|-------------------|-----------------|-------------------|---------------------|
| Pos.<br>Fig.                | Antal<br>Q.ty | Art nr<br>Part No | Benämning       | Description       | Anmärkning<br>Notes |
| 1                           | 1             | 382547029/3       | Knivplatta      | Plate             |                     |
| 13                          | 4             | 125160003/2       | Distans         | Spacer            |                     |
| 50                          | 1             | 122671651/0       | Bricka          | Washer            |                     |
| 2                           | 4             | 112792611/0       | Skruv           | Screw             |                     |
| 3                           | 4             | 112293201/0       | Mutter          | Nut               |                     |
| 4                           | 1             | 382785084/1       | Fäste           | Support           |                     |
| 5                           | 2             | 125601559/1       | Remskiva        | Toothed Pulley    |                     |
| 6                           | 2             | 119216048/0       | Kullager        | Bearing           |                     |
| 7                           | 2             | 112610800/0       | Sparring Sgh 35 | Seeger            |                     |
| 8                           | 2             | 112609200/0       | Segersäkring    | Seeger            |                     |
| 9                           | 1             | 325650037/0       | Förstärkning    | Pulley Stiffening |                     |
| 10                          | 2             | 112793102/0       | Skruv           | Screw             |                     |
| 11                          | 2             | 112521350/0       | Bricka          | Washer            |                     |
| 12                          | 2             | 112583500/0       | Lasbricka       | Grower            |                     |
| 14                          | 4             | 125038000/0       | Bussning        | Bushing           |                     |
| 15                          | 1             | 112691700/0       | Skruv           | Screw             |                     |
| 16                          | 3             | 112691200/0       | Skruv           | Screw             |                     |
| 17                          | 4             | 112521350/0       | Bricka          | Washer            |                     |
| 18                          | 4             | 112293201/0       | Mutter          | Nut               |                     |
| 19                          | 1             | 112793900/0       | Skruv           | Screw             |                     |
| 20                          | 1             | 112293200/0       | Mutter          | Nut               |                     |
| 21                          | 2             | 125601560/0       | Remskiva        | Pulley            |                     |
| 22                          | 3             | 112139480/0       | Kil             | Feather           |                     |
| 23                          | 1             | 112793102/0       | Skruv           | Screw             |                     |
| 24                          | 1             | 125670007/0       | Bricka          | Washer            |                     |
| 25                          | 1             | 112583500/0       | Lasbricka       | Grower            |                     |
| 26                          | 1             | 135065600/0       | Drivrem         | Belt              |                     |
| 27                          | 3             | 112815200/0       | Skruv           | Screw             |                     |
| 28                          | 3             | 112292102/0       | Mutter          | Nut               |                     |
| 29                          | 1             | 125060100/3       | Skydd           | Protection        |                     |
| 30                          | 6             | 112735110/0       | Skruv           | Screw             |                     |
| 31                          | 1             | 125601550/0       | Remskiva        | Pulley            |                     |
| 32                          | 1             | 112793102/0       | Skruv           | Screw             |                     |
| 33                          | 1             | 125670007/0       | Bricka          | Washer            |                     |
| 34                          | 1             | 112583500/0       | Lasbricka       | Grower            |                     |
| 35                          | 1             | 125160002/0       | Distans         | Spacer            |                     |
| 36                          | 1             | 325318115/1       | Bromsarm        | Lever             |                     |
| 40                          | 1             | 325601599/0       | Remskiva        | Pulley            |                     |
| 41                          | 1             | 125160079/0       | Distans         | Spacer            |                     |
| 42                          | 1             | 112818900/0       | Skruv           | Screw             |                     |
| 43                          | 1             | 112523060/0       | Bricka          | Washer            |                     |
| 44                          | 1             | 112155000/0       | Mutter          | Nut               |                     |
| 45                          | 1             | 112793102/0       | Skruv           | Screw             |                     |
| 46                          | 1             | 112523070/0       | Bricka          | Washer            |                     |
| 47                          | 1             | 112583500/0       | Lasbricka       | Grower            |                     |
| 48                          | 1             | 135062811/0       | Drivrem         | Belt              |                     |
| 91                          | 1             | 182004608/0       | Wire            | Engagging Cable   |                     |

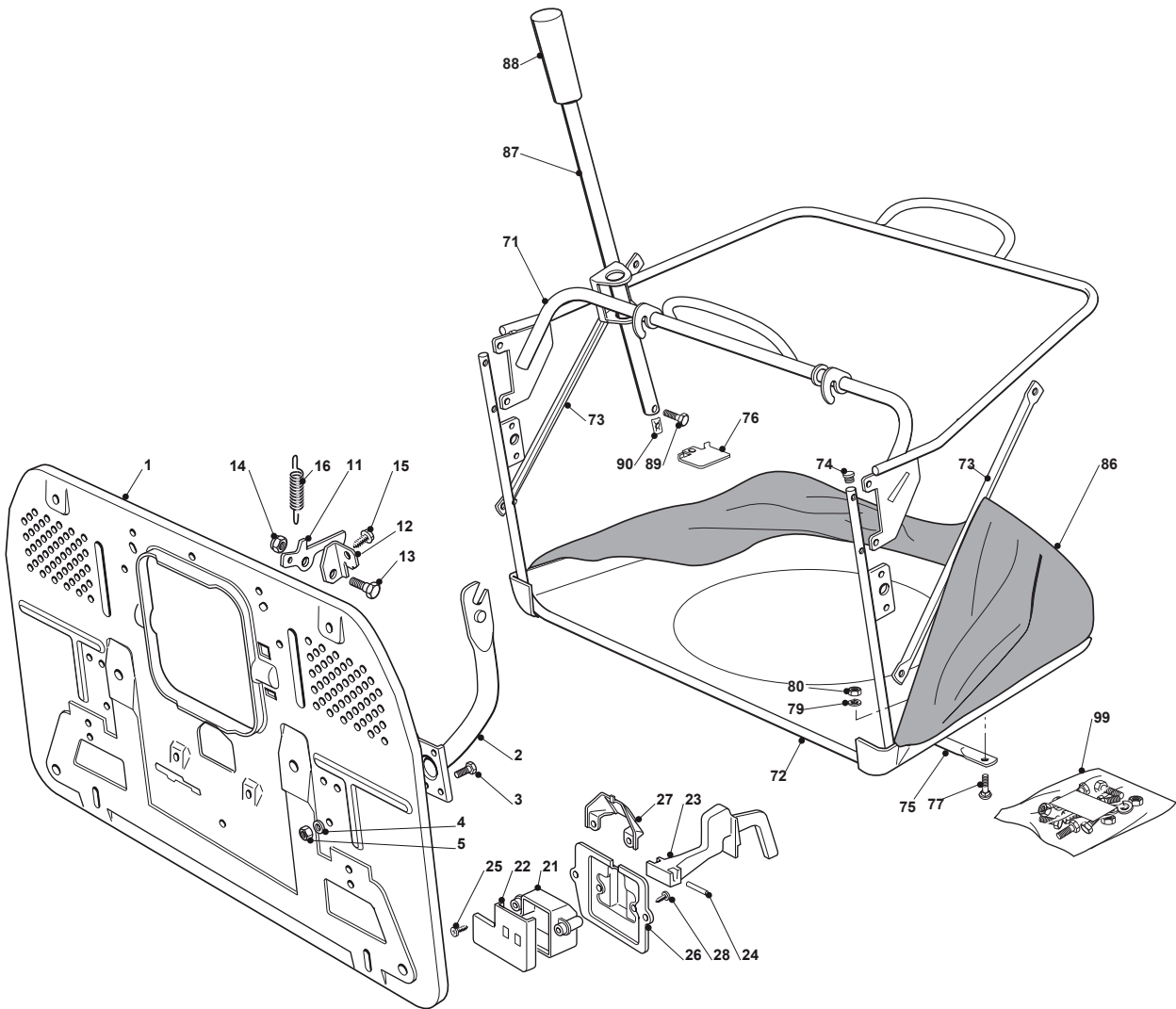


| Utgåva<br>Issue<br>3 - 2016 |               | Skärplatta<br>Cutting Plate |                         |                                 |                     |
|-----------------------------|---------------|-----------------------------|-------------------------|---------------------------------|---------------------|
| Pos.<br>Fig.                | Antal<br>Q.ty | Art nr<br>Part No           | Benämning               | Description                     | Anmärkning<br>Notes |
| 1                           | 1             | 382564153/0                 | Klippkapa kpl           | Cutting Plate Grey              |                     |
| 2                           | 2             | 125033060/0                 | Vattenslanganslutning   | Washing Cutting Deck Connection |                     |
| 3                           | 2             | 119035000/0                 | O-Ring                  | Or Ring                         |                     |
| 4                           | 2             | 112500030/0                 | Nit                     | Rivet                           |                     |
| 8                           | 1             | 382207200/1                 | Lagerbox Kpl (Huvud)    | Flange Assy                     |                     |
| 9                           | 1             | 382207201/2                 | Lagerbox Kpl (Sekundär) | Support Shaft Tc                |                     |
| 10                          | 1             | 125020800/1                 | Knivaxel                | Main Blade Shaft                |                     |
| 11                          | 1             | 125020801/2                 | Knivaxel                | Secondary Blade Shaft           |                     |
| 13                          | 4             | 119216032/0                 | Lager 6204 2Rs Zkl      | Bearing                         |                     |
| 14                          | 2             | 325160501/0                 | Dammskydd               | Dust Cover Disc                 |                     |
| 15                          | 2             | 112609260/0                 | Sparring Sga 20         | Seeger                          |                     |
| 16                          | 6             | 112818700/0                 | Skruv                   | Screw                           |                     |
| 17                          | 6             | 112154210/0                 | Mutter                  | Nut                             |                     |
| 18                          | 2             | 125463200/0                 | Knivfäste               | Blade Hub                       |                     |
| 19                          | 2             | 112139100/0                 | Kil                     | Key                             |                     |
| 20                          | 1             | 182004348/0                 | Kniv                    | Right Mulching Blade            |                     |
| 21                          | 1             | 182004347/0                 | Kniv                    | Left Blade Mulching, Winged     |                     |
| 22                          | 2             | 125160503/0                 | Knivfäste               | Blade Hub Elastic Disc Lawnr.   |                     |
| 24                          | 1             | 112735696/0                 | Skruv                   | Screw                           |                     |
| 25                          | 1             | 112735697/1                 | Skruv                   | Screw                           |                     |
| 26                          | 2             | 182700003/0                 | Stödhjul                | Anti Scalp Wheel                |                     |
| 27                          | 2             | 125510072/0                 | Stift                   | Pin                             |                     |
| 28                          | 2             | 112692050/0                 | Skruv                   | Screw                           |                     |
| 29                          | 2             | 112523060/0                 | Bricka                  | Washer                          |                     |
| 30                          | 2             | 112293201/0                 | Mutter                  | Nut                             |                     |
| 31                          | 2             | 182700004/0                 | Stödhjul                | Anti Scalp Wheel                |                     |
| 32                          | 2             | 125510121/0                 | Stift                   | Pin                             |                     |
| 33                          | 2             | 122450115/0                 | Fjäder                  | Spring                          |                     |
| 34                          | 2             | 112000930/0                 | Lasring                 | Benzing Ring                    |                     |
| 41                          | 1             | 182004341/1                 | Kniv                    | Right Blade, Winged             |                     |
| 42                          | 1             | 182004340/1                 | Kniv                    | Left Blade, Winged              |                     |
| 51                          | 1             | 325140100/0                 | Deflektor               | Deflector                       |                     |
| 52                          | 2             | 112815210/0                 | Skruv                   | Screw                           |                     |
| 53                          | 2             | 125038002/1                 | Bussning                | Bushing                         |                     |
| 54                          | 2             | 112154510/0                 | Mutter                  | Nut                             |                     |

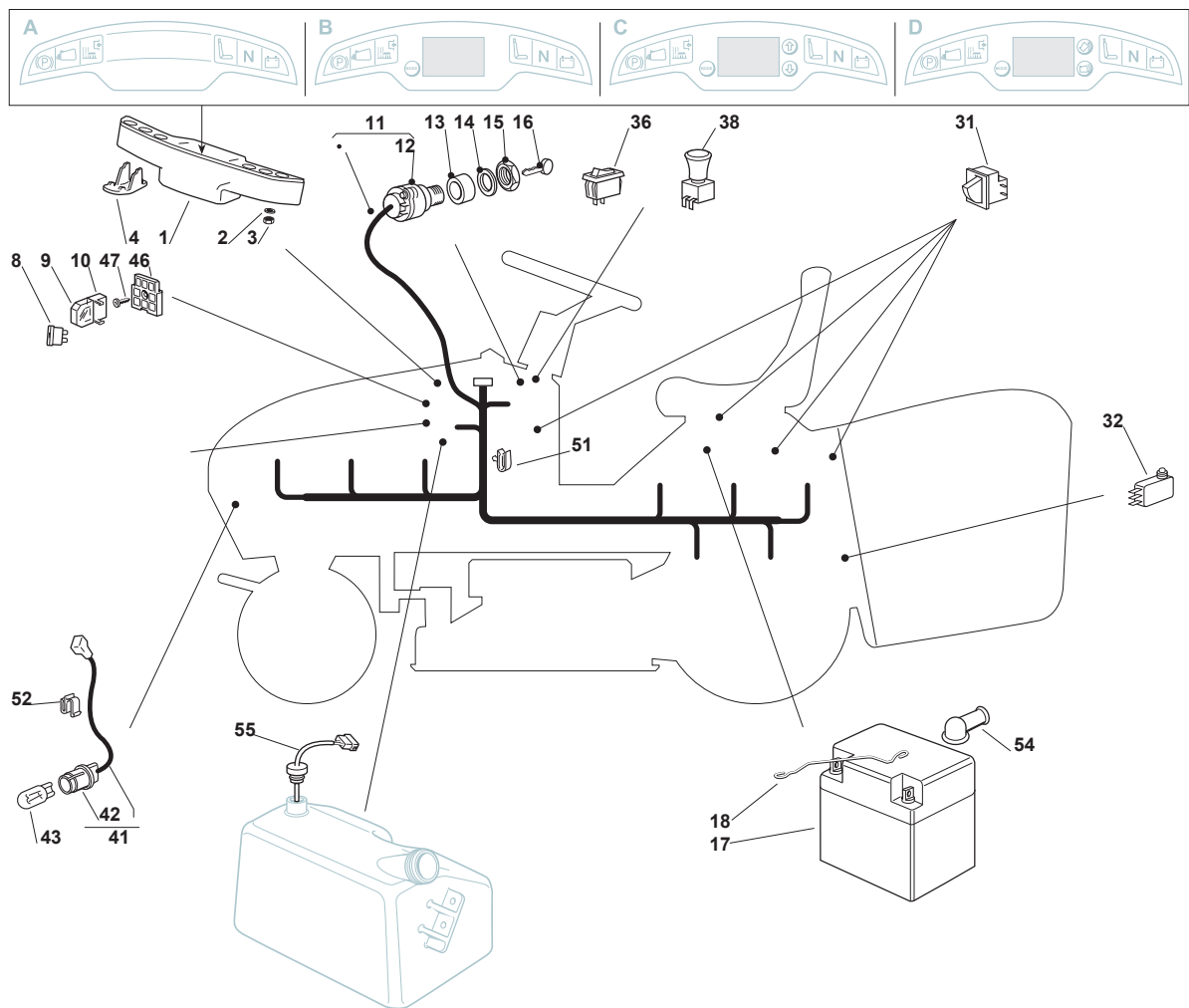




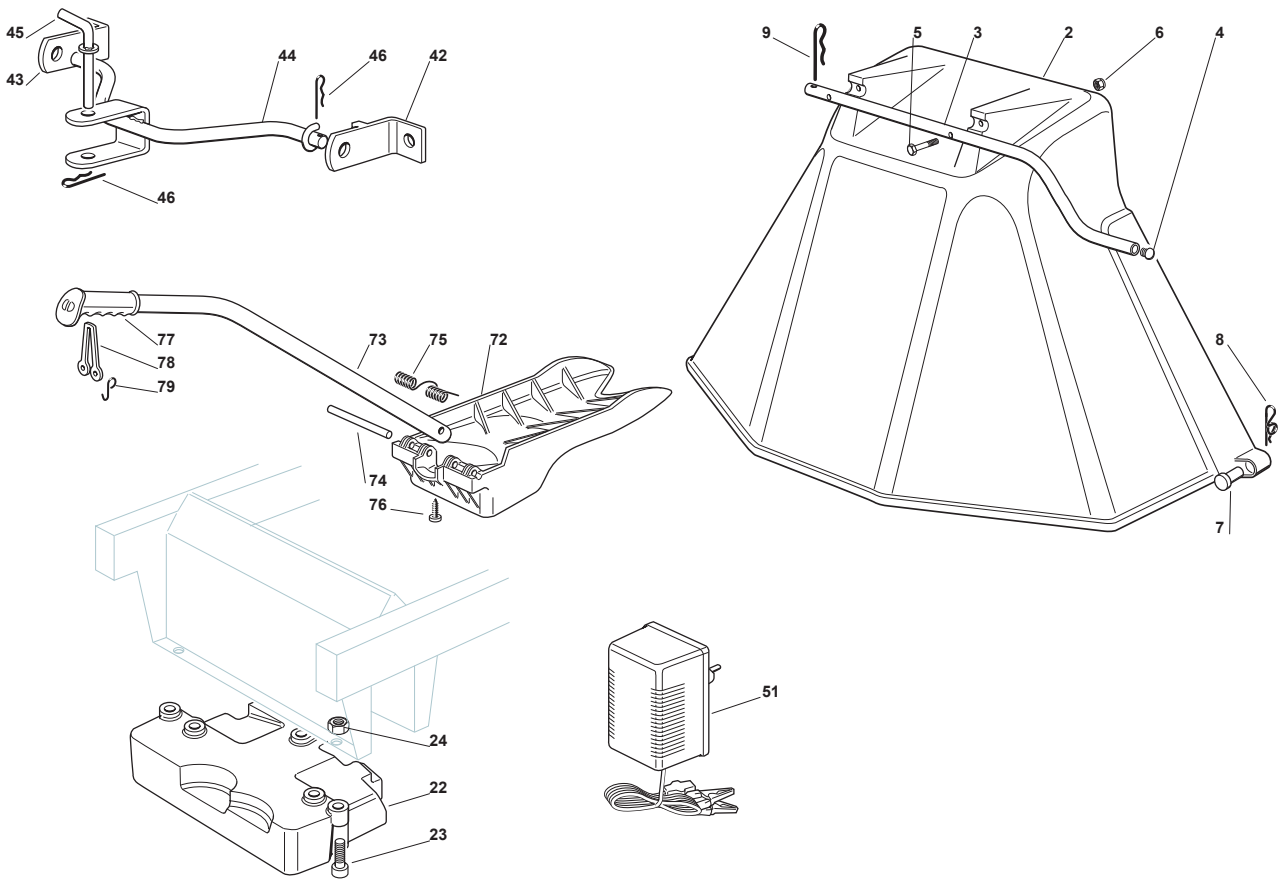
| Utgåva<br>Issue<br>3 - 2016 |               | Skydd och transportband<br>Guards And Conveyor |                       |                                 |                     |
|-----------------------------|---------------|--|-----------------------|---------------------------------|---------------------|
| Pos.<br>Fig.                | Antal<br>Q.ty | Art nr<br>Part No                              | Benämning             | Description                     | Anmärkning<br>Notes |
| 1                           | 2             | 125033060/0                                    | Vattenslanganslutning | Washing Cutting Deck Connection |                     |
| 2                           | 2             | 119035000/0                                    | O-Ring                | Or Ring                         |                     |
| 3                           | 2             | 112500030/0                                    | Nit                   | Rivet                           |                     |
| 9                           | 1             | 382108016/1                                    | Utkaströr             | Conveyor                        |                     |
| 10                          | 2             | 325774373/0                                    | Fäste                 | Clamp                           |                     |
| 11                          | 1             | 325060144/0                                    | Remskydd-hö           | Right Belt Protection Carter    |                     |
| 12                          | 1             | 325060145/0                                    | Remskydd-vå           | Left Belt Protection            |                     |
| 13                          | 2             | 325774267/0                                    | Fäste                 | Clamp                           |                     |
| 14                          | 2             | 325774423/0                                    | Fäste                 | Clamp                           |                     |
| 15                          | 1             | 325774425/0                                    | Fäste                 | Clamp                           |                     |
| 16                          | 1             | 325774421/0                                    | Fäste                 | Clamp                           |                     |



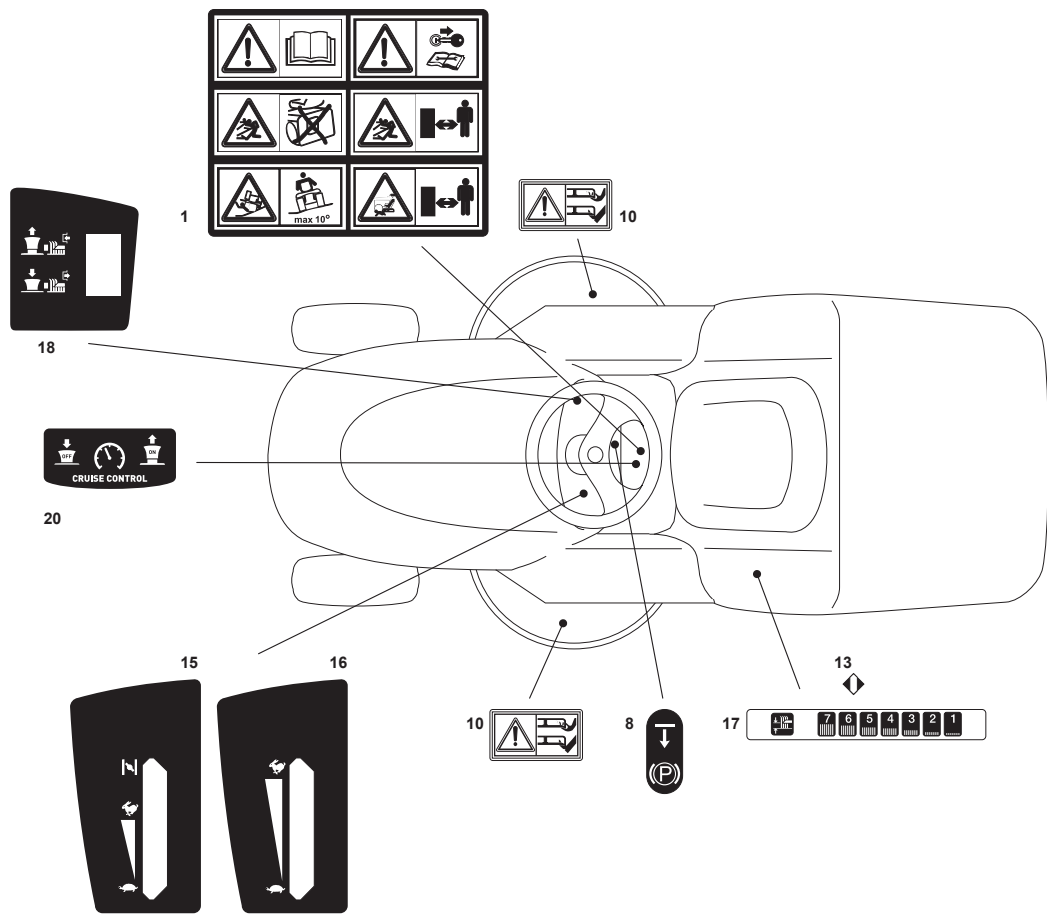
| Utgåva<br>Issue<br>3 - 2016 |               | Gräsuppsamlare    |                    | Grasscatcher                       |                     |
|-----------------------------|---------------|-------------------|--------------------|------------------------------------|---------------------|
| Pos.<br>Fig.                | Antal<br>Q.ty | Art nr<br>Part No | Benämning          | Description                        | Anmärkning<br>Notes |
| 1                           | 1             | 382547051/0       | Plat               | Plate                              |                     |
| 2                           | 2             | 182774225/1       | Fäste              | Clamp                              |                     |
| 3                           | 6             | 112793102/0       | Skruv              | Screw                              |                     |
| 4                           | 6             | 112523060/0       | Bricka             | Washer                             |                     |
| 5                           | 6             | 112293201/0       | Mutter             | Nut                                |                     |
| 11                          | 1             | 325774417/0       | Fäste              | Clamp                              |                     |
| 12                          | 1             | 325755031/0       | Fäste              | Clamp                              |                     |
| 13                          | 1             | 125510080/0       | Stift              | Pin                                |                     |
| 14                          | 1             | 112292102/0       | Mutter             | Nut                                |                     |
| 15                          | 1             | 112735122/0       | Skruv              | Screw                              |                     |
| 16                          | 1             | 127430579/0       | Kopplingsfjäder    | Clutch Spring                      |                     |
| 21                          | 1             | 125600041/0       | Brytarskydd        | Grassc.Full Micro Protection Tcj-F |                     |
| 22                          | 1             | 125600042/0       | Skyddslock         | Grasscatcher Micro Prot Cover      |                     |
| 23                          | 1             | 125318124/0       | Arm                | Full Grassc. Microswtich Cover     |                     |
| 24                          | 1             | 112400030/0       | Stift              | Pin                                |                     |
| 25                          | 1             | 112728510/0       | Skruv              | Screw                              |                     |
| 26                          | 1             | 325785272/0       | Mikroskydd         | Micro Protection                   |                     |
| 27                          | 1             | 125600048/0       | Skyddslock         | Micro Protection Cover             |                     |
| 28                          | 2             | 112728450/0       | Skruv              | Screw                              |                     |
| 71                          | 1             | 382800123/1       | Ram. övre          | Upper Frame                        |                     |
| 72                          | 1             | 382800089/1       | Ram. främre        | Front Frame                        |                     |
| 73                          | 2             | 325650117/0       | Fäste              | Stiffening                         |                     |
| 74                          | 2             | 118566111/0       | Plugg              | Cap                                |                     |
| 75                          | 1             | 382650043/0       | Förstärkning-nedre | Lower Stiffening                   |                     |
| 76                          | 1             | 325547131/0       | Plat               | Plate                              |                     |
| 77                          | 6             | 112815210/0       | Skruv              | Screw                              |                     |
| 79                          | 2             | 112521330/0       | Bricka             | Washer                             |                     |
| 80                          | 2             | 112154510/0       | Mutter             | Nut                                |                     |
| 86                          | 1             | 182105948/0       | Uppsamlare         | Grasscatcher                       |                     |
| 87                          | 1             | 125869029/1       | Rör                | Grasscatcher Lifting Tube          |                     |
| 88                          | 1             | 125394508/0       | Knopp              | Knob                               |                     |
| 89                          | 1             | 112788800/0       | Skruv              | Screw                              |                     |
| 90                          | 1             | 112157000/0       | Mutter             | Nut                                |                     |
| 99                          | 1             | 382180110/0       | Skruvsats          | Outfit, Screws                     |                     |



| Utgåva<br>Issue<br>3 - 2016 |               | Elsystem<br>Electrical Parts |                      |                                |                     |
|-----------------------------|---------------|------------------------------|----------------------|--------------------------------|---------------------|
| Pos.<br>Fig.                | Antal<br>Q.ty | Art nr<br>Part No            | Benämning            | Description                    | Anmärkning<br>Notes |
| 2                           | 2             | 112521320/0                  | Bricka               | Washer                         |                     |
| 3                           | 2             | 112154330/0                  | Mutter               | Nut                            |                     |
| 4                           | 1             | 325031501/0                  | Deflektor            | Deflector                      |                     |
| 8                           | 1             | 133340036/0                  | Säkring 25A          | Fuse 25 A                      |                     |
| 8                           | 1             | 133340040/0                  | Säkring 10A          | Fuse 10 A                      |                     |
| 9                           | 2             | 133215000/0                  | Lock-Säkringshallare | Cover                          |                     |
| 10                          | 2             | 133500007/0                  | Säkringshallare      | Fuse Carrier                   |                     |
| 12                          | 1             | 118450072/0                  | Tändningslas         | Starting Switch                |                     |
| 13                          | 1             | 118550136/0                  | Distans              | Spacer                         |                     |
| 14                          | 1             | 118550135/0                  | Bricka               | Washer                         |                     |
| 15                          | 1             | 118400862/0                  | Ringmutter           | Ring Nut                       |                     |
| 16                          | 1             | 118210022/0                  | Tändningsnyckel      | Starting Key                   |                     |
| 17                          | 1             | 118120002/1                  | Batteri              | Battery                        |                     |
| 18                          | 1             | 125430230/0                  | Fjäder               | Spring                         |                     |
| 31                          | 3             | 119410615/0                  | Mikrobrytare         | Microswitch                    |                     |
| 32                          | 1             | 119410605/1                  | Mikrobrytare         | Microswitch                    |                     |
| 36                          | 1             | 118450060/1                  | Brytare              | Headlight Interrupt. Cre1116-0 |                     |
| 38                          | 1             | 118450068/0                  | Brytare              | Switch                         |                     |
| 41                          | 1             | 182040073/0                  | Lamphallare          | Lamp Holder                    |                     |
| 42                          | 2             | 133500030/0                  | Lamphallare          | Lamp Holder                    |                     |
| 43                          | 2             | 118459100/0                  | Glödlampa            | Lamp For Lights                |                     |
| 46                          | 1             | 133500010/1                  | Plat                 | Plate                          |                     |
| 47                          | 1             | 112735170/0                  | Skruv                | Screw                          |                     |
| 51                          | 5             | 133320506/0                  | Kabalfäste           | Fairlead                       |                     |
| 52                          | 1             | 133320504/0                  | Kabalfäste           | Fairlead                       |                     |
| 54                          | 1             | 118564864/1                  | Polskydd             | Protection                     |                     |
| 55                          | 1             | 125290001/0                  | Bränslenivaindikator | Fuel Level Indicator           |                     |
| 11                          | 1             | 182040203/0                  | Kabelhärva           | Cables Ass.Y                   |                     |
| 1                           | 1             | 382722432/0                  | Kort + Skydd (B)     | Cards + Guards (B)             |                     |

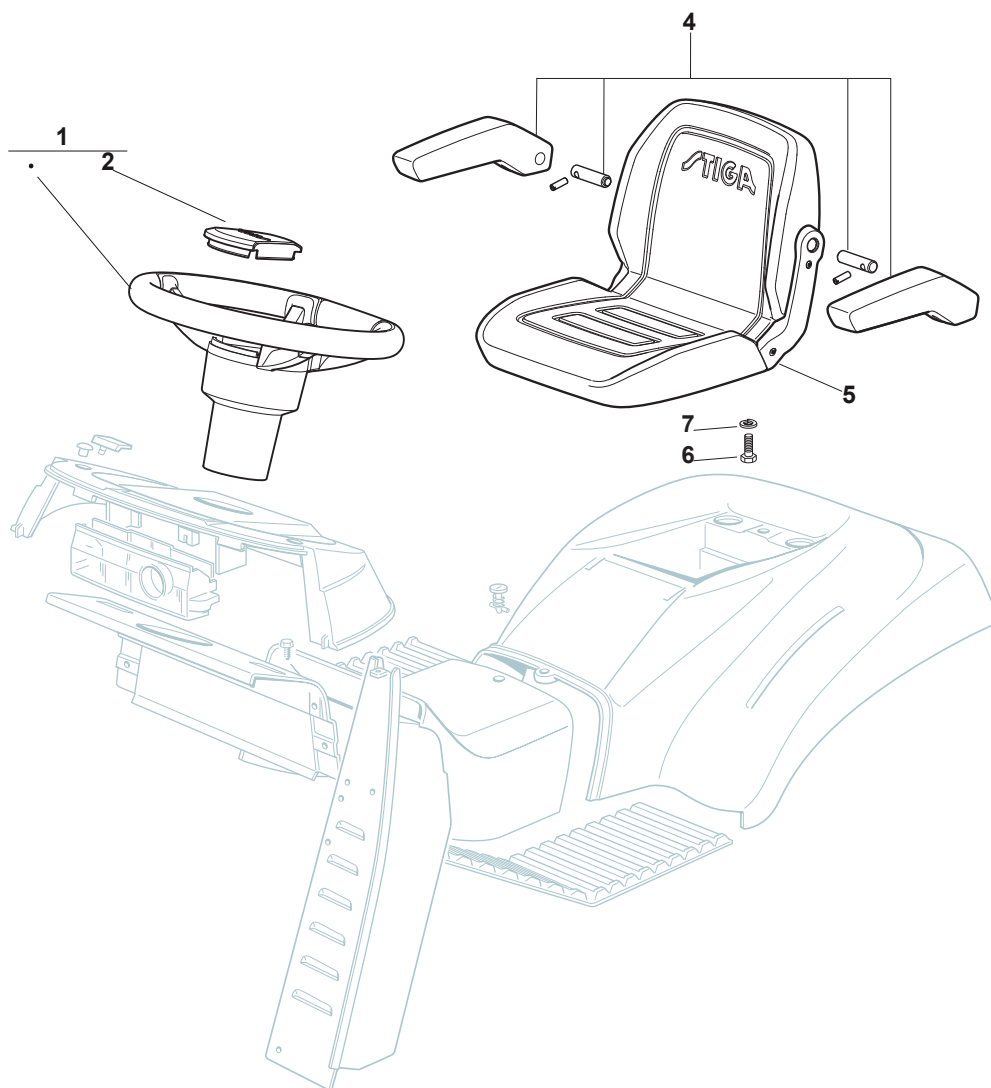


| Utgåva<br>Issue<br>3 - 2016 |               | Tillbehör på begäran<br>Optionals On Request |                |                        |                     |
|-----------------------------|---------------|--|----------------|------------------------|---------------------|
| Pos.<br>Fig.                | Antal<br>Q.ty | Art nr<br>Part No                            | Benämning      | Description            | Anmärkning<br>Notes |
| 2                           | 1             | 382400003/1                                  | Utkastskydd    | Ejection Guard         |                     |
| 3                           | 1             | 325869043/0                                  | Bakrefäste     | Rear Support           |                     |
| 4                           | 2             | 118566112/0                                  | Plugg          | Polyethylene Push Road |                     |
| 5                           | 2             | 112689515/0                                  | Skruv          | Screw                  |                     |
| 6                           | 2             | 112154510/0                                  | Mutter         | Nut                    |                     |
| 7                           | 2             | 125510022/0                                  | Stift          | Pin                    |                     |
| 8                           | 2             | 124487998/0                                  | Fjäder Clip    | Cotter Pin             |                     |
| 9                           | 1             | 124487999/0                                  | Clip           | Spring Pin             |                     |
| 22                          | 1             | 125519997/1                                  | Vikt Tc        | Front Weight Tc        |                     |
| 23                          | 3             | 112760520/0                                  | Skruv          | Screw                  |                     |
| 24                          | 3             | 112155000/0                                  | Mutter         | Nut                    |                     |
| 42                          | 1             | 382735502/0                                  | Fäste          | Bracket                |                     |
| 43                          | 1             | 325774213/0                                  | Fäste          | Bracket                |                     |
| 44                          | 1             | 382033105/1                                  | Dragstang      | Rod                    |                     |
| 45                          | 1             | 125510021/1                                  | Stift          | Hitch Pin              |                     |
| 46                          | 2             | 124487999/0                                  | Clip           | Spring Pin             |                     |
| 51                          | 1             | 182180050/0                                  | Batteriladdare | Battery Charger        |                     |
| 72                          | 1             | 325140097/0                                  | Deflektor      | Deflector              |                     |
| 73                          | 1             | 325394005/0                                  | Handtagsrör    | Handle                 |                     |
| 74                          | 1             | 125510077/0                                  | Stift          | Pin                    |                     |
| 75                          | 1             | 125430245/0                                  | Fjäder         | Spring                 |                     |
| 76                          | 1             | 112735405/0                                  | Skruv          | Screw                  |                     |
| 77                          | 1             | 325280000/1                                  | Handtag        | Handgrip               |                     |
| 78                          | 1             | 125840011/1                                  | Spännstang     | Tie Rod                |                     |
| 79                          | 2             | 125253004/0                                  | Krok           | Mulch.Kit Fixing Hook  |                     |

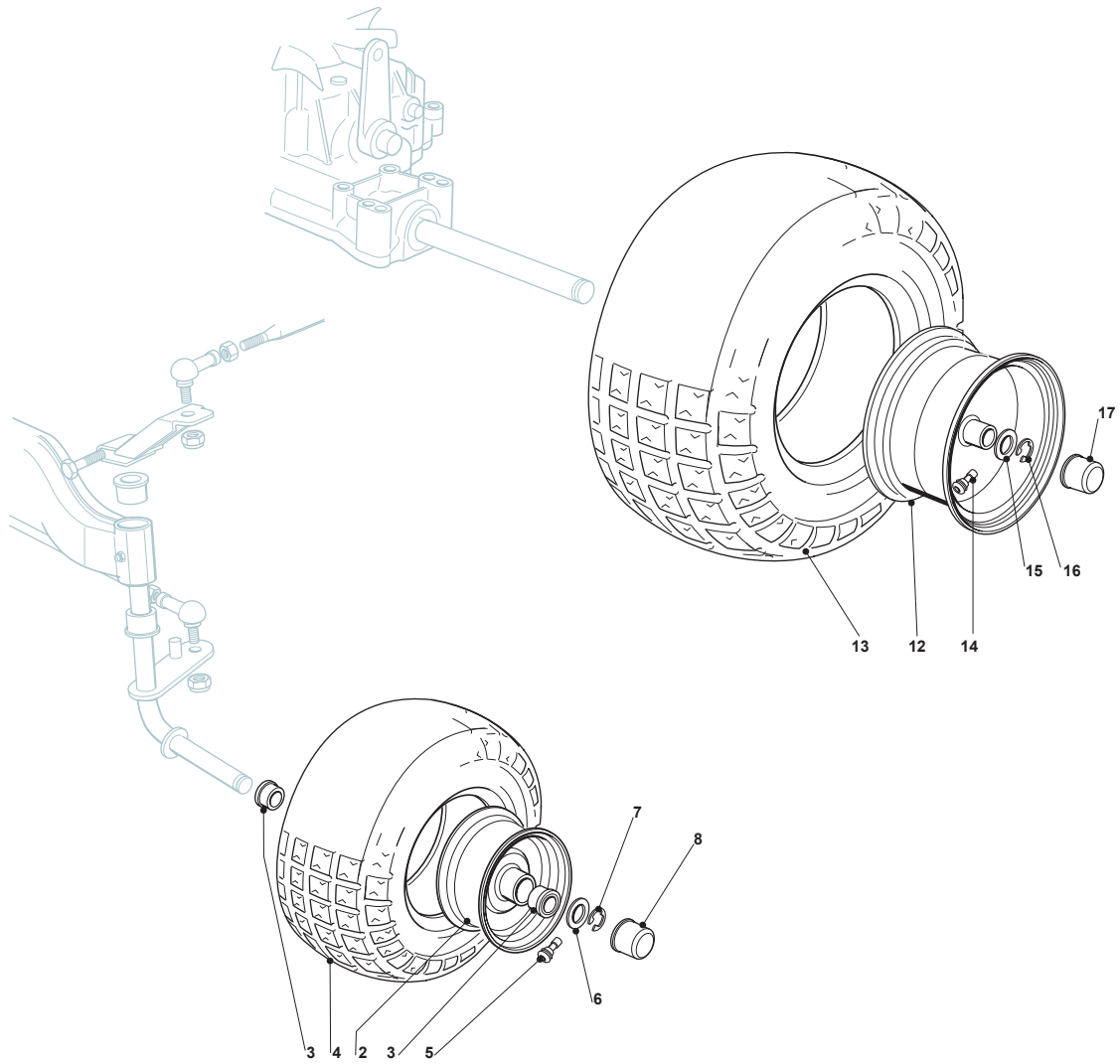




| Utgåva<br>Issue<br>3 - 2016 |               | Dekaler<br>Labels |           |             |                     |
|-----------------------------|---------------|-------------------|-----------|-------------|---------------------|
| Pos.<br>Fig.                | Antal<br>Q.ty | Art nr<br>Part No | Benämning | Description | Anmärkning<br>Notes |
| 1                           | 1             | 114357428/1       | Dekal     | Label       |                     |
| 8                           | 1             | 114357526/1       | Dekal     | Label       |                     |
| 10                          | 2             | 114356699/1       | Dekal     | Label       |                     |
| 13                          | 1             | 114357913/0       | Dekal     | Label       |                     |
| 18                          | 1             | 114360715/2       | Dekal     | Label       |                     |
| 20                          | 1             | 114365612/0       | Dekal     | Label       |                     |



| Utgåva<br>Issue<br>3 - 2016 |               | Sits och ratt<br>Seat & Steering Wheel |                       |                      |                     |
|-----------------------------|---------------|--|-----------------------|----------------------|---------------------|
| Pos.<br>Fig.                | Antal<br>Q.ty | Art nr<br>Part No                      | Benämning             | Description          | Anmärkning<br>Notes |
| 1                           | 1             | 325961222/1                            | Ratt                  | Steering wheel       |                     |
| 2                           | 1             | 325580508/0                            | Styrkonsolkapa, Svart | Steering Plate Cover |                     |
| 4                           | 1             | 387185100/0                            | Armstöd Kpl           | Arm Rests            |                     |
| 5                           | 1             | 125722480/0                            | Seat                  | Seat                 |                     |
| 6                           | 4             | 112793102/0                            | Skruv                 | Screw                |                     |
| 7                           | 4             | 112583500/0                            | Lasbricka             | Grower               |                     |



| Utgåva<br>Issue<br>3 - 2016 |               | Hjul<br>Wheels    |            |              |                     |
|-----------------------------|---------------|-------------------|------------|--------------|---------------------|
| Pos.<br>Fig.                | Antal<br>Q.ty | Art nr<br>Part No | Benämning  | Description  | Anmärkning<br>Notes |
| 2                           | 2             | 182000595/1       | Fälg       | Rimm         | 7,5"X8" STARCO      |
| 3                           | 4             | 125122200/2       | Kullager   | Bearing      |                     |
| 4                           | 2             | 125590020/0       | Däck       | Tyre         |                     |
| 5                           | 2             | 125950000/0       | Ventil     | Valve        |                     |
| 6                           | 2             | 125670005/1       | Bricka     | Washer       |                     |
| 7                           | 2             | 112001000/0       | Lasring    | Benzing Ring |                     |
| 8                           | 2             | 322110239/0       | Navkapsel  | Hub Cover    |                     |
| 12                          | 2             | 182000596/1       | Fälg-Bakre | Rimm         |                     |
| 13                          | 2             | 125590022/0       | Däck       | Tyre         |                     |
| 14                          | 2             | 125950000/0       | Ventil     | Valve        |                     |
| 15                          | 2             | 125670005/1       | Bricka     | Washer       |                     |
| 16                          | 2             | 112001010/0       | Lasring    | Benzing Ring |                     |
| 17                          | 2             | 322110239/0       | Navkapsel  | Hub Cover    |                     |

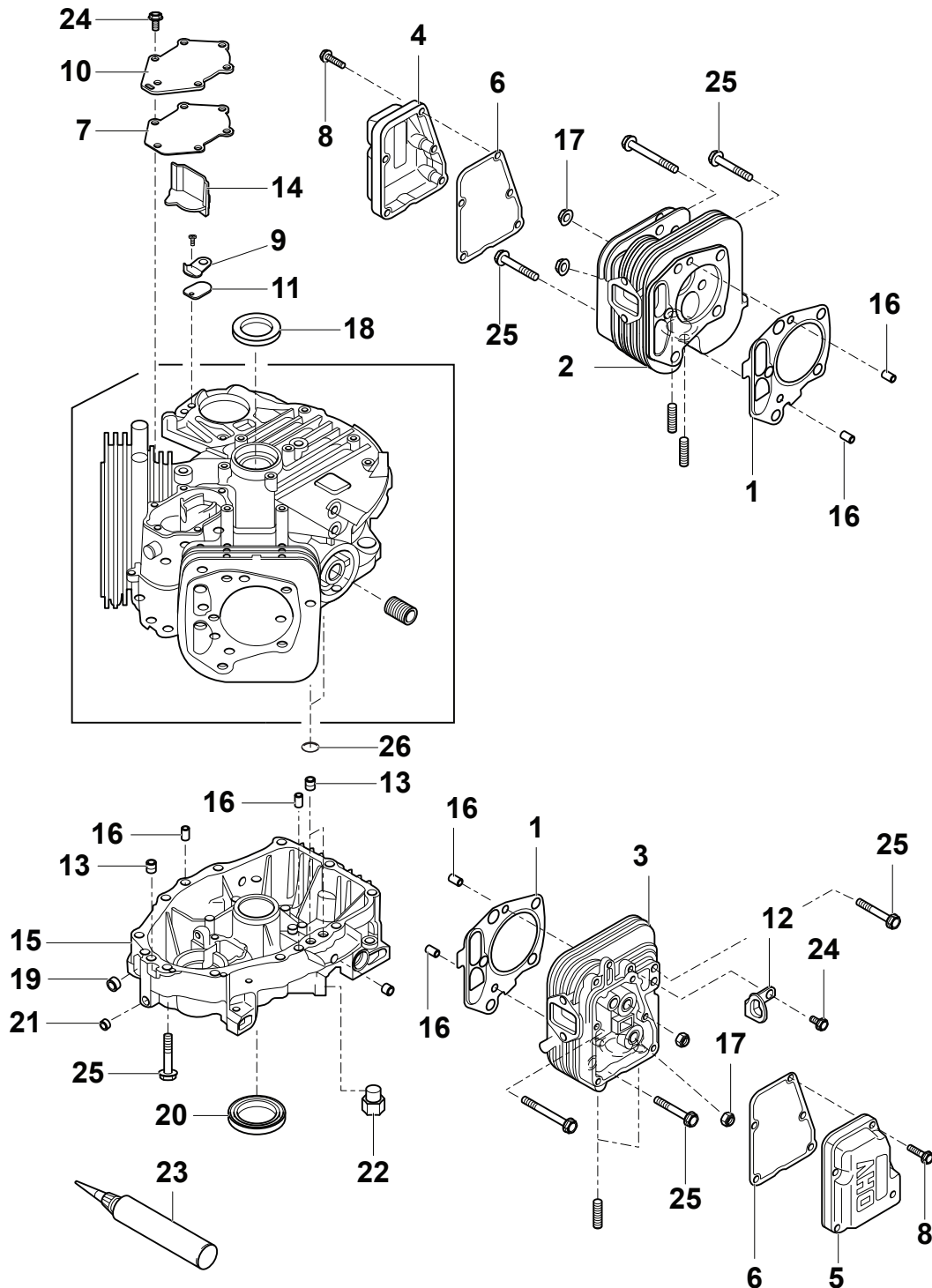


**Estate 6102 HW** — 2

**Estate 7102 HWS** — 3

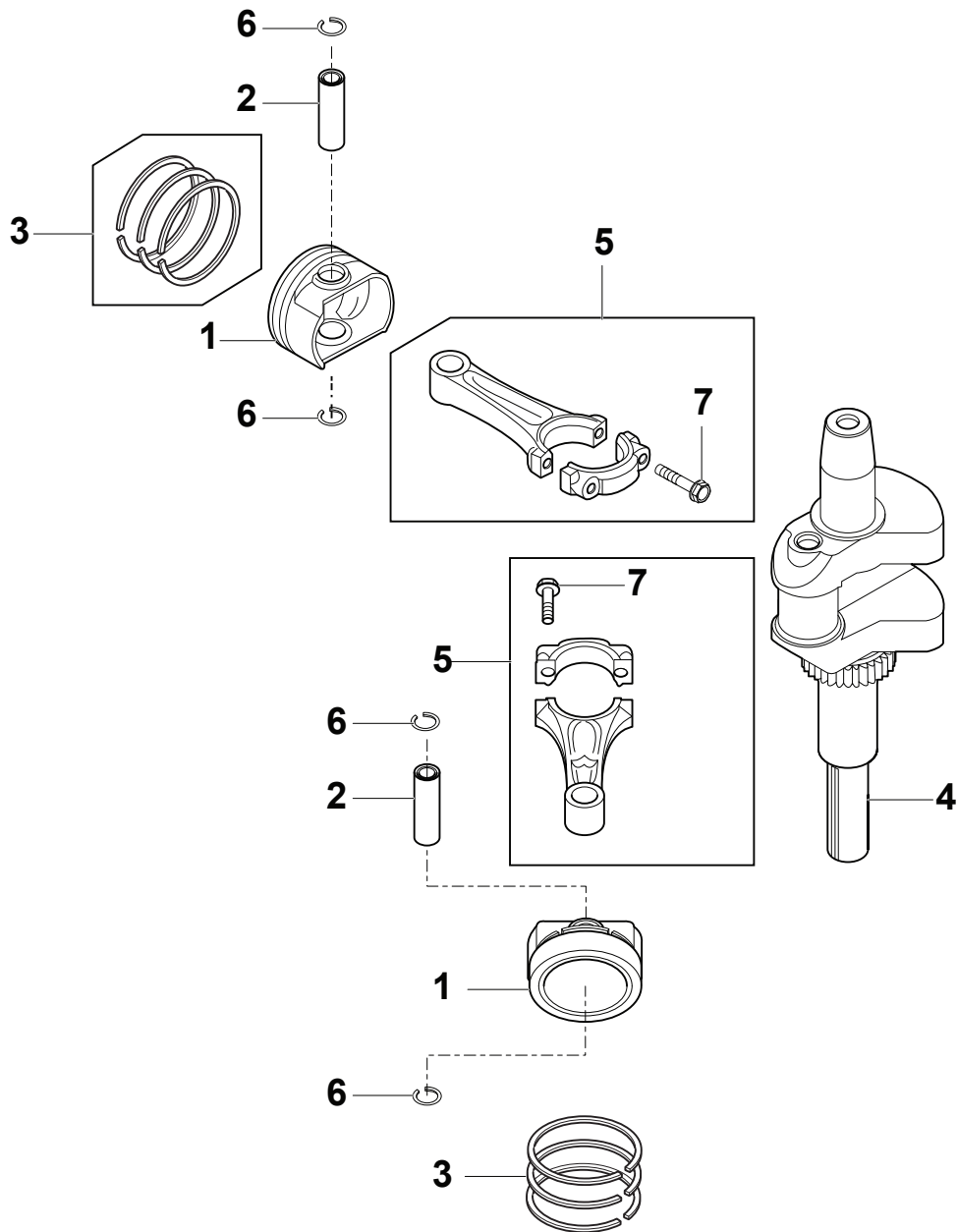
**Estate 7122 HWS** — 4

| Utgåva<br>Issue<br>3 - 2016 |               | Dekaler<br>Labels |                  |                  |                     |
|-----------------------------|---------------|-------------------|------------------|------------------|---------------------|
| Pos.<br>Fig.                | Antal<br>Q.ty | Art nr<br>Part No | Benämning        | Description      | Anmärkning<br>Notes |
| 1                           | 3             | 114367494/2       | Dekal STIGA logo | Label STIGA logo |                     |
| 2                           | 2             | 114368444/0       | Decal            | Label            | Estate 6102 HW      |
| 3                           | 2             | 114368445/0       | Decal            | Label            | Estate 7102 HWS     |
| 4                           | 2             | 114368446/0       | Decal            | Label            | Estate 7122 HWS     |

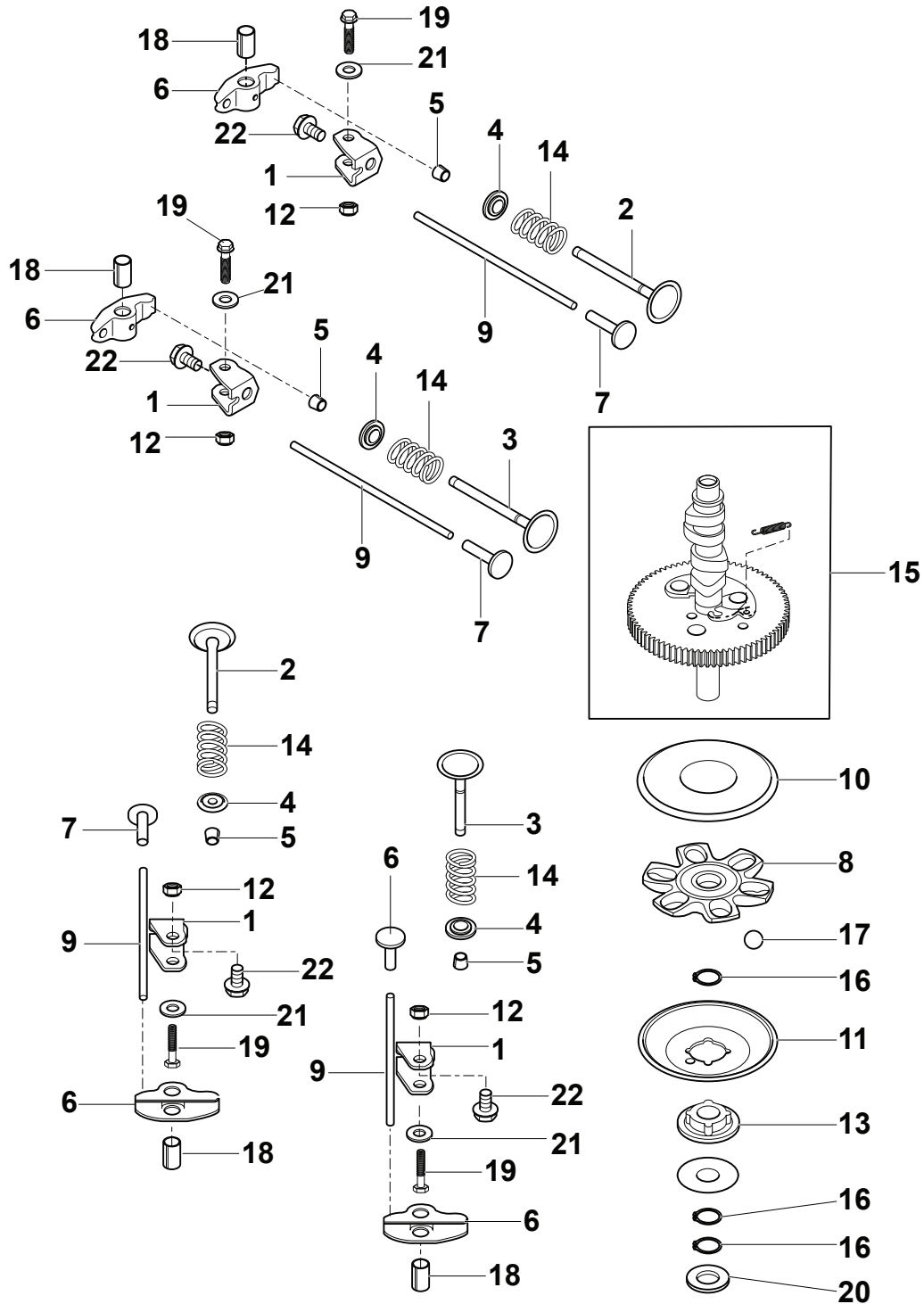




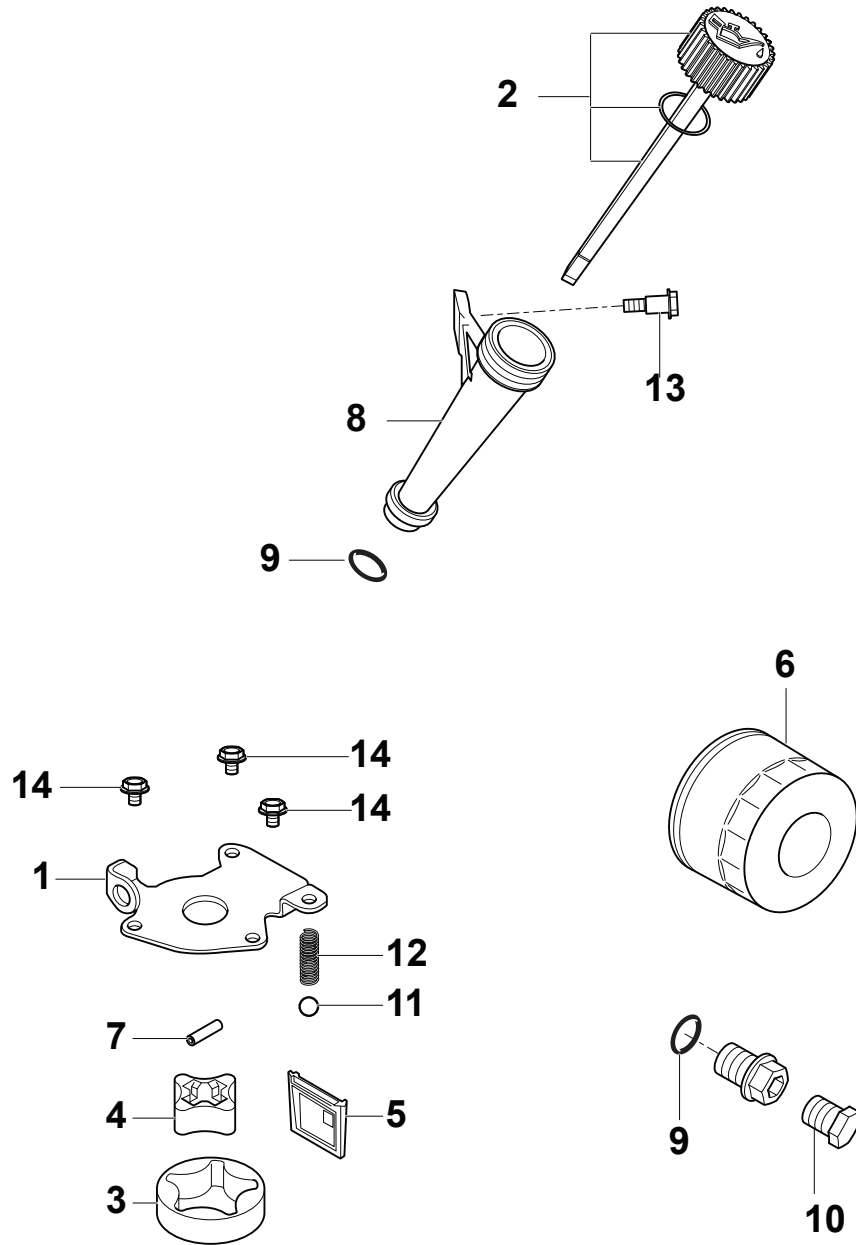
| Utgåva<br>Issue<br>3 - 2016 |               | Cylinder/Vevhus<br>Cylinder/Crankcase |                    |                |                         |
|-----------------------------|---------------|---------------------------------------|--------------------|----------------|-------------------------|
| Pos.<br>Fig.                | Antal<br>Q.ty | Art nr<br>Part No                     | Benämning          | Description    | Anmärkning<br>Notes     |
| 1                           | 2             | 118550948/0                           | Packning           | Gasket         | Kawasaki p/n 11004-7027 |
| 2                           | 1             | 118550951/0                           | Cylinder           | Cylinder       | Kawasaki p/n 11008-7050 |
| 3                           | 1             | 118550952/0                           | Cylinder           | Cylinder       | Kawasaki p/n 11008-7051 |
| 4                           | 1             | 118550956/0                           | Handtagsstöd       | Case           | Kawasaki p/n 11022-0710 |
| 5                           | 1             | 118550957/0                           | Handtagsstöd       | Case           | Kawasaki p/n 11022-7020 |
| 6                           | 2             | 118550963/0                           | Packning           | Gasket         | Kawasaki p/n 11061-7083 |
| 7                           | 1             | 118550968/0                           | Packning           | Gasket         | Kawasaki p/n 11061-7094 |
| 8                           | 10            | 112735405/0                           | Skruv              | Screw          | Kawasaki p/n 130AA0625  |
| 9                           | 1             | 118550999/0                           | Plåt               | Plate          | Kawasaki p/n 13272-1374 |
| 10                          | 1             | 118551005/0                           | Hus                | Cover          | Kawasaki p/n 14091-7064 |
| 11                          | 1             | 118551013/0                           | Ventilationsventil | Breather valve | Kawasaki p/n 16126-7020 |
| 12                          | 1             | 118551028/0                           | Bärögla            | Hook           | Kawasaki p/n 27012-0721 |
| 13                          | 3             | 118551030/0                           | Rör                | Pipe           | Kawasaki p/n 32154-7019 |
| 14                          | 1             | 118551031/0                           | Rör                | Pipe           | Kawasaki p/n 32155-7003 |
| 15                          | 1             | 118551037/0                           | Vevhus             | Crankcase      | Kawasaki p/n 49015-0019 |
| 16                          | 6             | 118551071/0                           | Stift              | Pin            | Kawasaki p/n 92043-1263 |
| 17                          | 4             | 118551072/0                           | Tätningring        | Oil Seal       | Kawasaki p/n 92049-7001 |
| 18                          | 1             | 118551073/0                           | Tätningring        | Oil Seal       | Kawasaki p/n 92049-7010 |
| 19                          | 1             | 118551074/0                           | Tätningring        | Oil Seal       | Kawasaki p/n 92049-7019 |
| 20                          | 1             | 118551075/0                           | Tätningring        | Oil Seal       | Kawasaki p/n 92049-7028 |
| 21                          | 1             | 118551077/0                           | Plugg              | Plug           | Kawasaki p/n 92066-0761 |
| 22                          | 2             | 118551078/0                           | Plugg              | Plug           | Kawasaki p/n 92066-0762 |
| 23                          | 1             | 118551080/0                           | Packning           | Gasket         | Kawasaki p/n 92104-7001 |
| 24                          | 7             | 112735699/0                           | Skruv              | Screw          | Kawasaki p/n 92153-7043 |
| 25                          | 14            | 112691400/0                           | Skruv              | Screw          | Kawasaki p/n 92153-7054 |
| 26                          | 2             | 118551062/0                           | O-Ring             | Or Ring        | Kawasaki p/n 670B2011   |



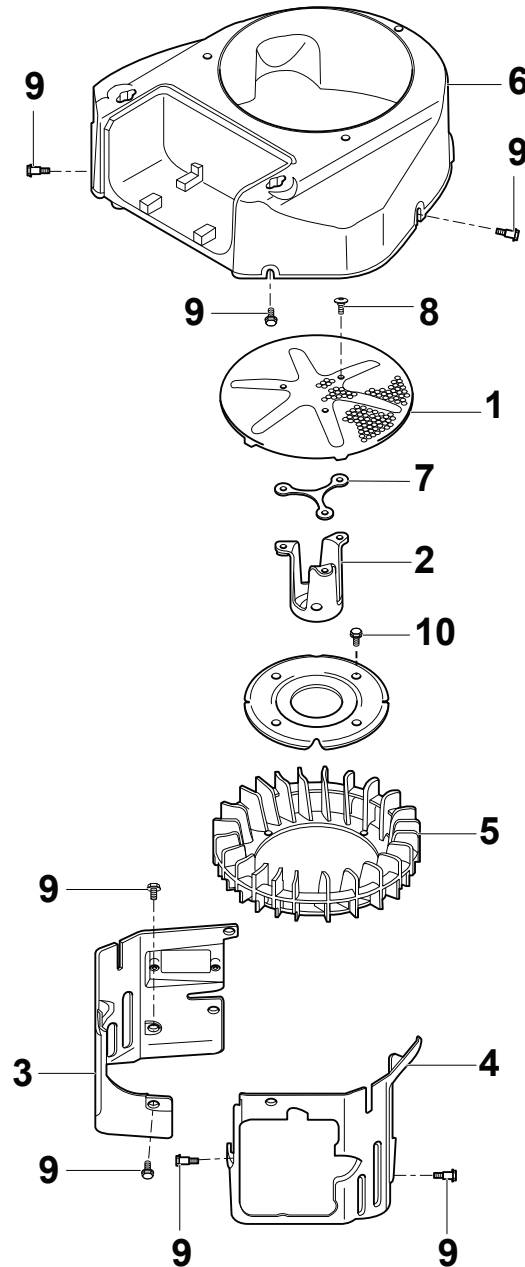
| Utgåva<br>Issue<br>3 - 2016 |               | Kolv/Vevaxel-kpl  |              | Piston/Crankshaft |                         |
|-----------------------------|---------------|-------------------|--------------|-------------------|-------------------------|
| Pos.<br>Fig.                | Antal<br>Q.ty | Art nr<br>Part No | Benämning    | Description       | Anmärkning<br>Notes     |
| 1                           | 2             | 118550980/0       | Kolv         | Piston            | Kawasaki p/n 13001-7031 |
| 2                           | 2             | 118550982/0       | Kolvsprint   | Piston Pin        | Kawasaki p/n 13002-7001 |
| 3                           | 2             | 118550984/0       | Kolvring     | Piston Ring       | Kawasaki p/n 13008-7006 |
| 4                           | 1             | 118550985/0       | Vevaxel      | Crankshaft        | Kawasaki p/n 13031-0731 |
| 5                           | 2             | 118550994/0       | Stag         | Rod               | Kawasaki p/n 13251-7021 |
| 6                           | 4             | 118551068/0       | Segersäkring | Snap Ring         | Kawasaki p/n 92033-0725 |
| 7                           | 4             | 112735410/0       | Skruv        | Screw             | Kawasaki p/n 92151-7017 |



| Utgåva<br>Issue<br>3 - 2016 |               | Cam Shaft         |                 | Cam Shaft       |                         |
|-----------------------------|---------------|-------------------|-----------------|-----------------|-------------------------|
| Pos.<br>Fig.                | Antal<br>Q.ty | Art nr<br>Part No | Benämning       | Description     | Anmärkning<br>Notes     |
| 1                           | 4             | 118550958/0       | Fäste           | Bracket         | Kawasaki p/n 11055-7009 |
| 2                           | 2             | 118550972/0       | Ventil          | Valve           | Kawasaki p/n 12004-7009 |
| 3                           | 2             | 118550974/0       | Ventil          | Valve           | Kawasaki p/n 12005-0735 |
| 4                           | 4             | 118550975/0       | Fjäder          | Spring          | Kawasaki p/n 12009-7001 |
| 5                           | 8             | 118550976/0       | Collet          | Collet          | Kawasaki p/n 12011-2056 |
| 6                           | 4             | 118550977/0       | Arm Kpl.        | Arm Rocker      | Kawasaki p/n 12016-2066 |
| 7                           | 4             | 118550978/0       | Lyftare         | Tappet          | Kawasaki p/n 12032-7001 |
| 8                           | 1             | 118550987/0       | Styrning        | Guide           | Kawasaki p/n 13070-7017 |
| 9                           | 4             | 118550993/0       | Stång           | Push Rod        | Kawasaki p/n 13116-7008 |
| 10                          | 1             | 118550996/0       | Plåt            | Plate           | Kawasaki p/n 13271-7007 |
| 11                          | 1             | 118550997/0       | Plåt            | Plate           | Kawasaki p/n 13271-7021 |
| 12                          | 4             | 112292100/0       | Mutter          | Nut             | Kawasaki p/n 312AA0600  |
| 13                          | 1             | 118551035/0       | Hylsa           | Sleeve          | Kawasaki p/n 42036-7021 |
| 14                          | 4             | 118551043/0       | Fjäder          | Spring          | Kawasaki p/n 49078-7002 |
| 15                          | 1             | 118551053/0       | Cam Shaft       | Cam Shaft       | Kawasaki p/n 49118-0809 |
| 16                          | 3             | 118551069/0       | Segersäkring    | Snap Ring       | Kawasaki p/n 92033-0727 |
| 17                          | 6             | 118551082/0       | Kula            | Ball            | Kawasaki p/n 92140-7005 |
| 18                          | 4             | 118551086/0       | Krage           | Collar          | Kawasaki p/n 92152-1689 |
| 19                          | 4             | 112674550/0       | Skruv           | Screw           | Kawasaki p/n 92153-7100 |
| 20                          | 1             | 112521390/0       | Bricka          | Washer          | Kawasaki p/n 92200-7048 |
| 21                          | 4             | 9699-0090-02      | Bricka   Bricka | Washer   Washer | Kawasaki p/n 92200-2151 |
| 22                          | 4             | 112793102/0       | Skruv           | Screw           | Kawasaki p/n 92154-1267 |

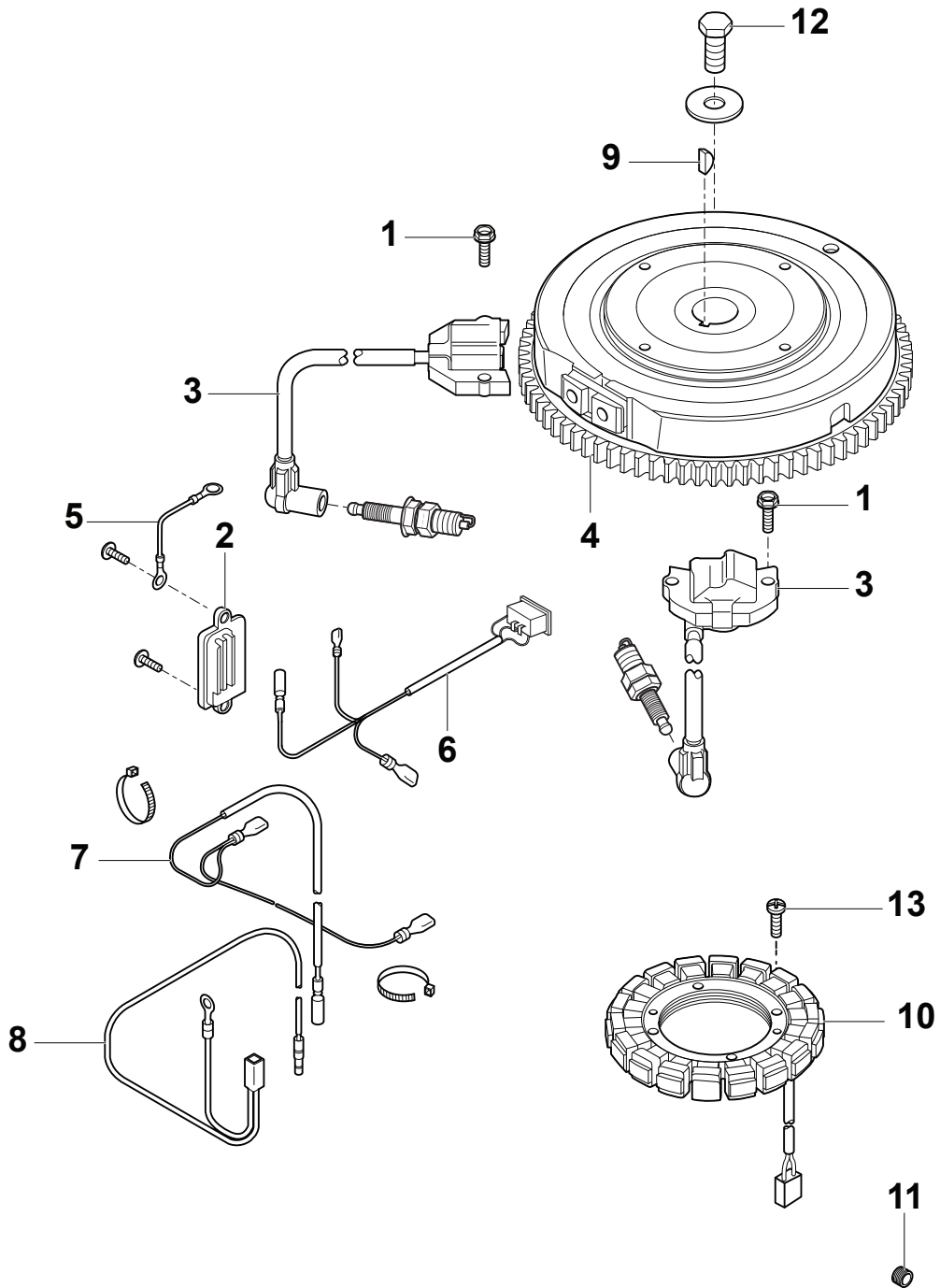


| Utgåva<br>Issue<br>3 - 2016 |               | Smörjning-Utrustning |               | Lubrication-Equipment |                         |
|-----------------------------|---------------|----------------------|---------------|-----------------------|-------------------------|
| Pos.<br>Fig.                | Antal<br>Q.ty | Art nr<br>Part No    | Benämning     | Description           | Anmärkning<br>Notes     |
| 1                           | 1             | 118551001/0          | Plåt          | Plate                 | Kawasaki p/n 13272-7011 |
| 2                           | 1             | 118551004/0          | Oljetanklock  | Cap Ass'Y             | Kawasaki p/n 14075-7013 |
| 3                           | 1             | 118551014/0          | Rotor Utanför | Rotor Pump, Outer     | Kawasaki p/n 16154-7010 |
| 4                           | 1             | 118551015/0          | Inre rötör    | Rotor Pump, Inner     | Kawasaki p/n 16154-7011 |
| 5                           | 1             | 118551041/0          | Oljefilter    | Oil Filter            | Kawasaki p/n 49065-7006 |
| 6                           | 1             | 118551042/0          | Oljefilter    | Oil Filter            | Kawasaki p/n 49065-7007 |
| 7                           | 1             | 118551056/0          | Spännstift    | Pin                   | Kawasaki p/n 555A0420   |
| 8                           | 1             | 118551061/0          | Filler        | Filler                | Kawasaki p/n 59231-0712 |
| 9                           | 2             | 118551063/0          | O-Ring        | Or Ring               | Kawasaki p/n 670D2016   |
| 10                          | 1             | 118551079/0          | Plugg         | Plug                  | Kawasaki p/n 92066-7003 |
| 11                          | 1             | 118551081/0          | Kula          | Ball                  | Kawasaki p/n 92140-7003 |
| 12                          | 1             | 118551083/0          | Fjäder        | Spring                | Kawasaki p/n 92145-7002 |
| 13                          | 1             | 118551087/0          | Skruv         | Screw                 | Kawasaki p/n 92153-7008 |
| 14                          | 3             | 112735699/0          | Skruv         | Screw                 | Kawasaki p/n 92153-7043 |



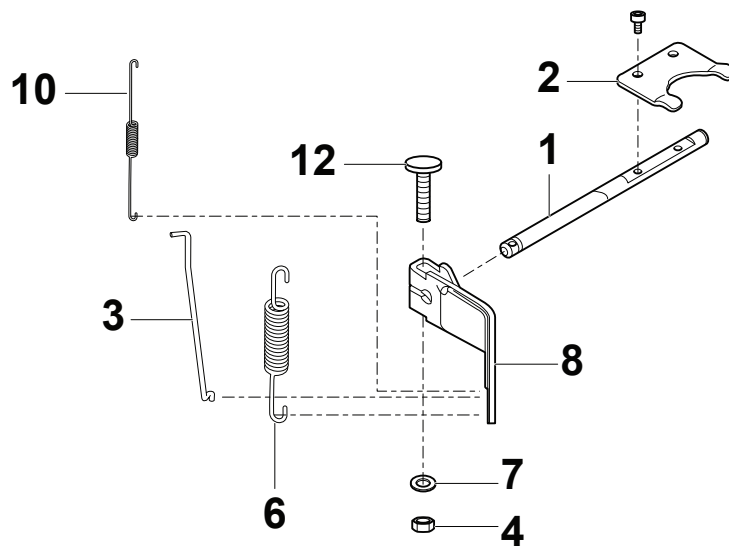
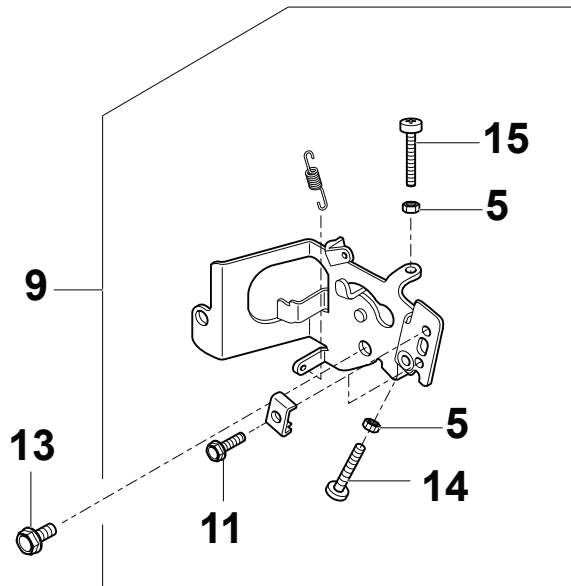


| Utgåva<br>Issue<br>3 - 2016 |               | Cooling-Equipment |           | Cooling-Equipment |                            |
|-----------------------------|---------------|-------------------|-----------|-------------------|----------------------------|
| Pos.<br>Fig.                | Antal<br>Q.ty | Art nr<br>Part No | Benämning | Description       | Anmärkning<br>Notes        |
| 1                           | 1             | 118551003/0       | Skärm     | Screen            | Kawasaki p/n 14037-7008-9H |
| 2                           | 1             | 118551023/0       | Fäste     | Bracket           | Kawasaki p/n 23062-7022    |
| 3                           | 1             | 118551046/0       | Motorhuv  | Engine Cover      | Kawasaki p/n 49089-7083    |
| 4                           | 1             | 118551047/0       | Motorhuv  | Engine Cover      | Kawasaki p/n 49089-7084    |
| 5                           | 1             | 118551059/0       | Fläkt     | Fan               | Kawasaki p/n 59041-0008    |
| 6                           | 1             | 118551102/0       | Fläktkåpa | Fan Cover         | Kawasaki p/n 59066-0044    |
| 7                           | 1             | 118551067/0       | Distans   | Spacer            | Kawasaki p/n 92026-7007    |
| 8                           | 3             | 112727794/0       | Skruv     | Screw             | Kawasaki p/n 92151-7012    |
| 9                           | 8             | 112735402/0       | Skruv     | Screw             | Kawasaki p/n 92153-7007    |
| 10                          | 4             | 112735699/0       | Skruv     | Screw             | Kawasaki p/n 92153-7043    |

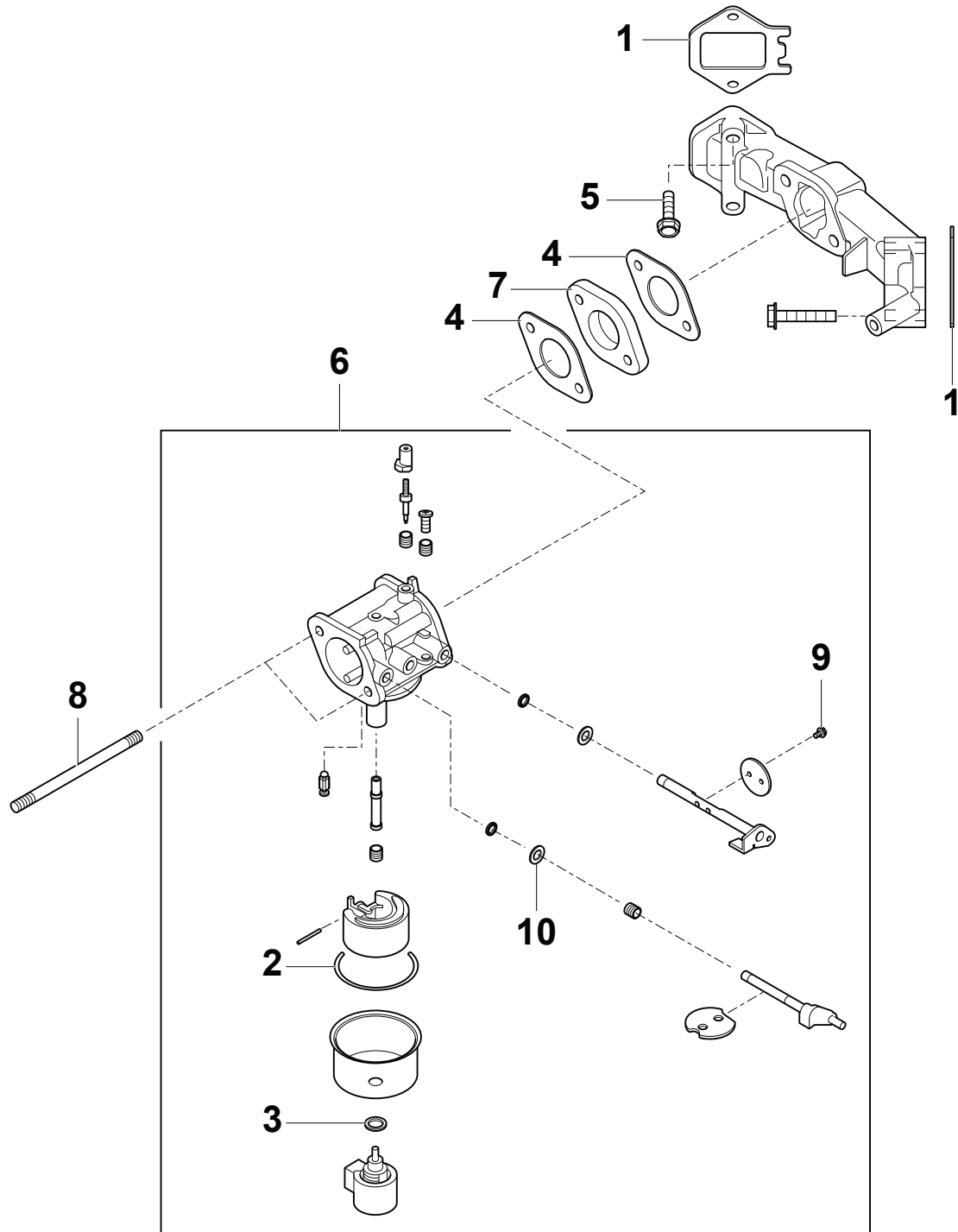


**Kawasaki**  
Engines

| Utgåva<br>Issue<br>3 - 2016 |               | Electric-utrustning<br>Electric-Equipment |               |                |                             |
|-----------------------------|---------------|---|---------------|----------------|-----------------------------|
| Pos.<br>Fig.                | Antal<br>Q.ty | Art nr<br>Part No                         | Benämning     | Description    | Anmärkning<br>Notes         |
| 1                           | 4             | 112735592/0                               | Skruv         | Screw          | Kawasaki p/n<br>130AA0620   |
| 2                           | 1             | 118551018/0                               | Regulator     | Regulator      | Kawasaki p/n 21066-<br>7017 |
| 3                           | 2             | 118551020/0                               | Tändspole     | Ignition Coil  | Kawasaki p/n 21171-<br>0711 |
| 4                           | 1             | 118551021/0                               | Svänghjul kpl | Flywheel Ass.Y | Kawasaki p/n 21193-<br>7038 |
| 5                           | 1             | 118551024/0                               | Kabalfäste    | Fairlead       | Kawasaki p/n 26011-<br>7025 |
| 6                           | 1             | 118551104/0                               | Sele          | Harness        | Kawasaki p/n 26031-<br>1624 |
| 7                           | 1             | 118551025/0                               | Sele          | Harness        | Kawasaki p/n 26031-<br>7040 |
| 8                           | 1             | 118551027/0                               | Sele          | Harness        | Kawasaki p/n 26031-<br>7047 |
| 9                           | 1             | 118551054/0                               | Svänghjulkil  | Flywheel Key   | Kawasaki p/n 510A5100       |
| 10                          | 1             | 118551057/0                               | Charging Coil | Charging Coil  | Kawasaki p/n 59031-<br>7017 |
| 11                          | 1             | 118551078/0                               | Plugg         | Plug           | Kawasaki p/n 92066-<br>0762 |
| 12                          | 1             | 112692600/0                               | Skruv         | Screw          | Kawasaki p/n 92154-<br>7003 |
| 13                          | 4             | 112727795/0                               | Skruv         | Screw          | Kawasaki p/n 92172-<br>7018 |

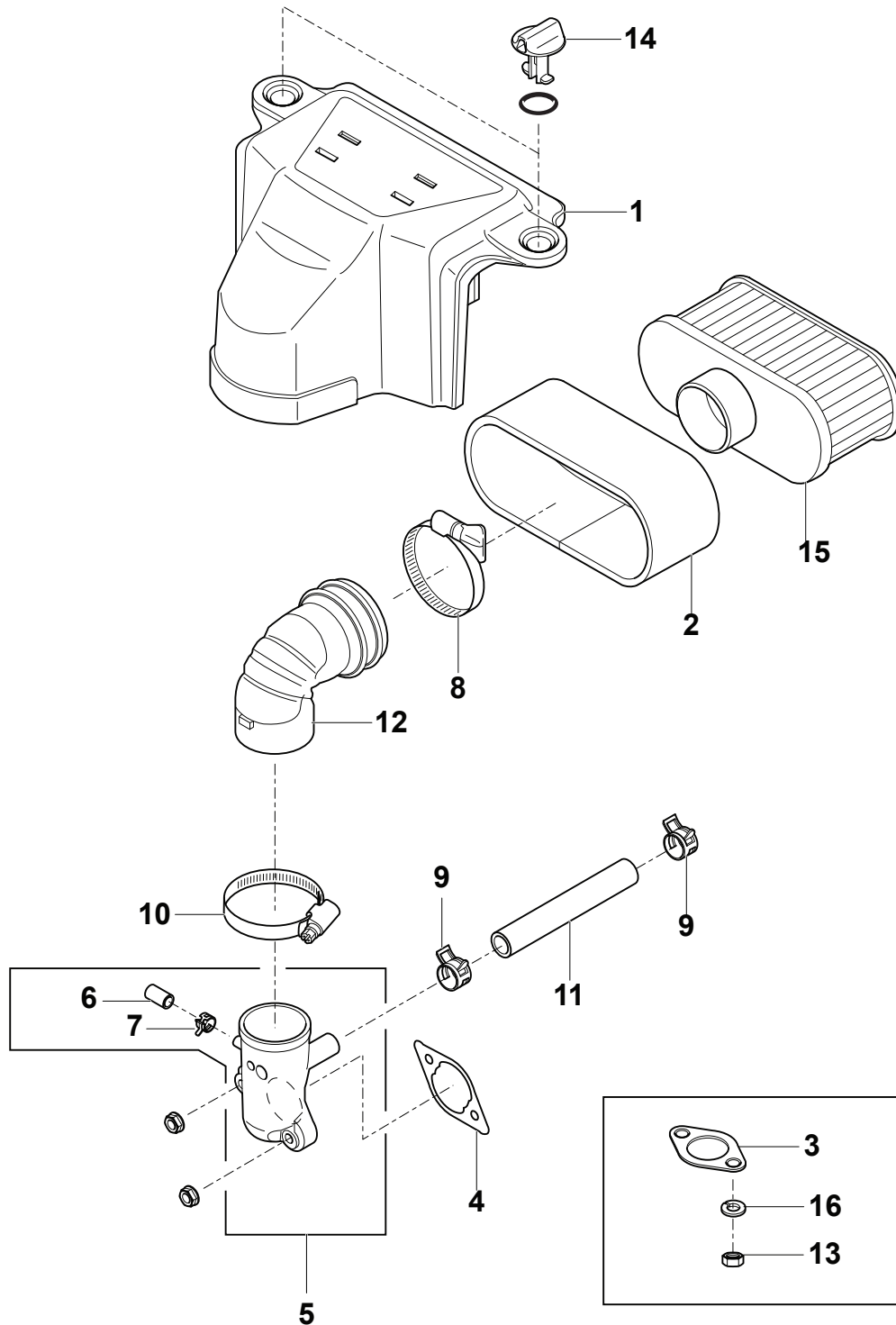


| Utgåva<br>Issue<br>3 - 2016 |               | Control-Equipment |           |                 |                         |
|-----------------------------|---------------|-------------------|-----------|-----------------|-------------------------|
| Pos.<br>Fig.                | Antal<br>Q.ty | Art nr<br>Part No | Benämning | Description     | Anmärkning<br>Notes     |
| 1                           | 1             | 118550991/0       | Axel      | Shaft           | Kawasaki p/n 13107-7049 |
| 2                           | 1             | 118550998/0       | Plåt      | Plate           | Kawasaki p/n 13271-7038 |
| 3                           | 1             | 118551017/0       | Länk      | Connection Link | Kawasaki p/n 16171-7025 |
| 4                           | 1             | 112292100/0       | Mutter    | Nut             | Kawasaki p/n 312AA0600  |
| 5                           | 2             | 112291000/0       | Mutter    | Nut             | Kawasaki p/n 312AA0500  |
| 6                           | 1             | 118551032/0       | Fjäder    | Spring          | Kawasaki p/n 39129-0725 |
| 7                           | 1             | 112521330/0       | Bricka    | Washer          | Kawasaki p/n 411AA0600  |
| 8                           | 1             | 118551050/0       | Arm Kpl.  | Arm Governor    | Kawasaki p/n 49103-7017 |
| 9                           | 1             | 118551051/0       | Panel     | Panel           | Kawasaki p/n 49113-0715 |
| 10                          | 1             | 118551084/0       | Fjäder    | Spring          | Kawasaki p/n 92145-7057 |
| 11                          | 2             | 112735654/0       | Skruv     | Screw           | Kawasaki p/n 92153-7001 |
| 12                          | 1             | 112674700/0       | Skruv     | Screw           | Kawasaki p/n 92153-7033 |
| 13                          | 1             | 112735699/0       | Skruv     | Screw           | Kawasaki p/n 92153-7043 |
| 14                          | 1             | 112735657/0       | Skruv     | Screw           | Kawasaki p/n 92172-0754 |
| 15                          | 2             | 112735657/0       | Skruv     | Screw           | Kawasaki p/n 92172-0754 |



**Kawasaki**  
Engines

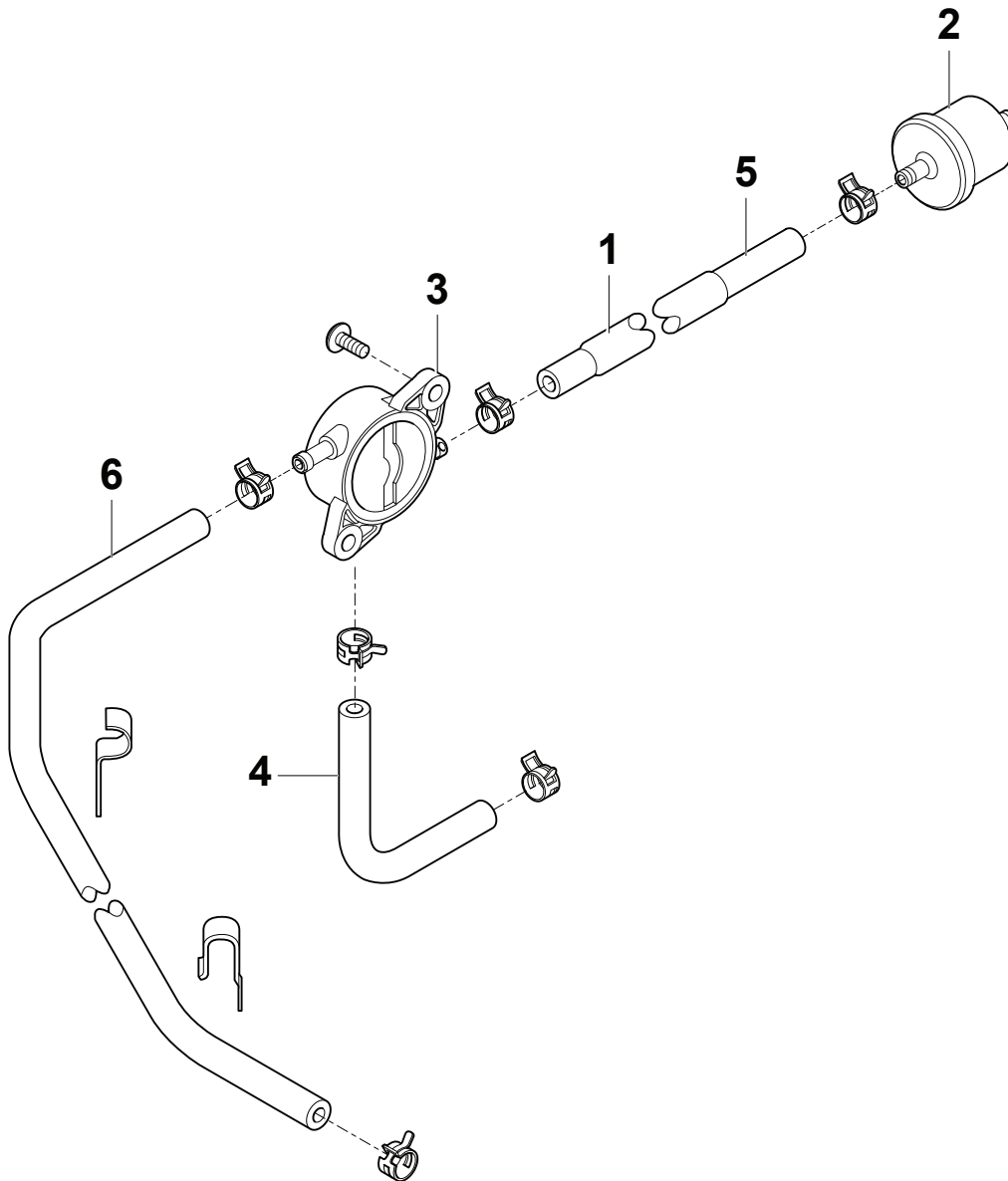
| Utgåva<br>Issue<br>3 - 2016 |               | Förgasare         | Carburetor |             |                         |
|-----------------------------|---------------|-------------------|------------|-------------|-------------------------|
| Pos.<br>Fig.                | Antal<br>Q.ty | Art nr<br>Part No | Benämning  | Description | Anmärkning<br>Notes     |
| 1                           | 2             | 118550960/0       | Packning   | Gasket      | Kawasaki p/n 11061-0877 |
| 2                           | 1             | 118550961/0       | Packning   | Gasket      | Kawasaki p/n 11061-7009 |
| 3                           | 1             | 118550962/0       | Packning   | Gasket      | Kawasaki p/n 11061-7010 |
| 4                           | 2             | 118550970/0       | Packning   | Gasket      | Kawasaki p/n 11061-7096 |
| 5                           | 4             | 112735405/0       | Skruv      | Screw       | Kawasaki p/n 130AA0625  |
| 6                           | 1             | 118551008/0       | Förgasare  | Carburetor  | Kawasaki p/n 15004-0827 |
| 7                           | 1             | 118551011/0       | Isolator   | Insulator   | Kawasaki p/n 16073-7007 |
| 8                           | 2             | 118551065/0       | Stift      | Pin         | Kawasaki p/n 92004-2149 |
| 9                           | 2             | 118551066/0       | Skruv      | Screw       | Kawasaki p/n 92009-2083 |
| 10                          | 1             | 2312280           | Bricka     | Washer      | Kawasaki p/n 92200-2061 |



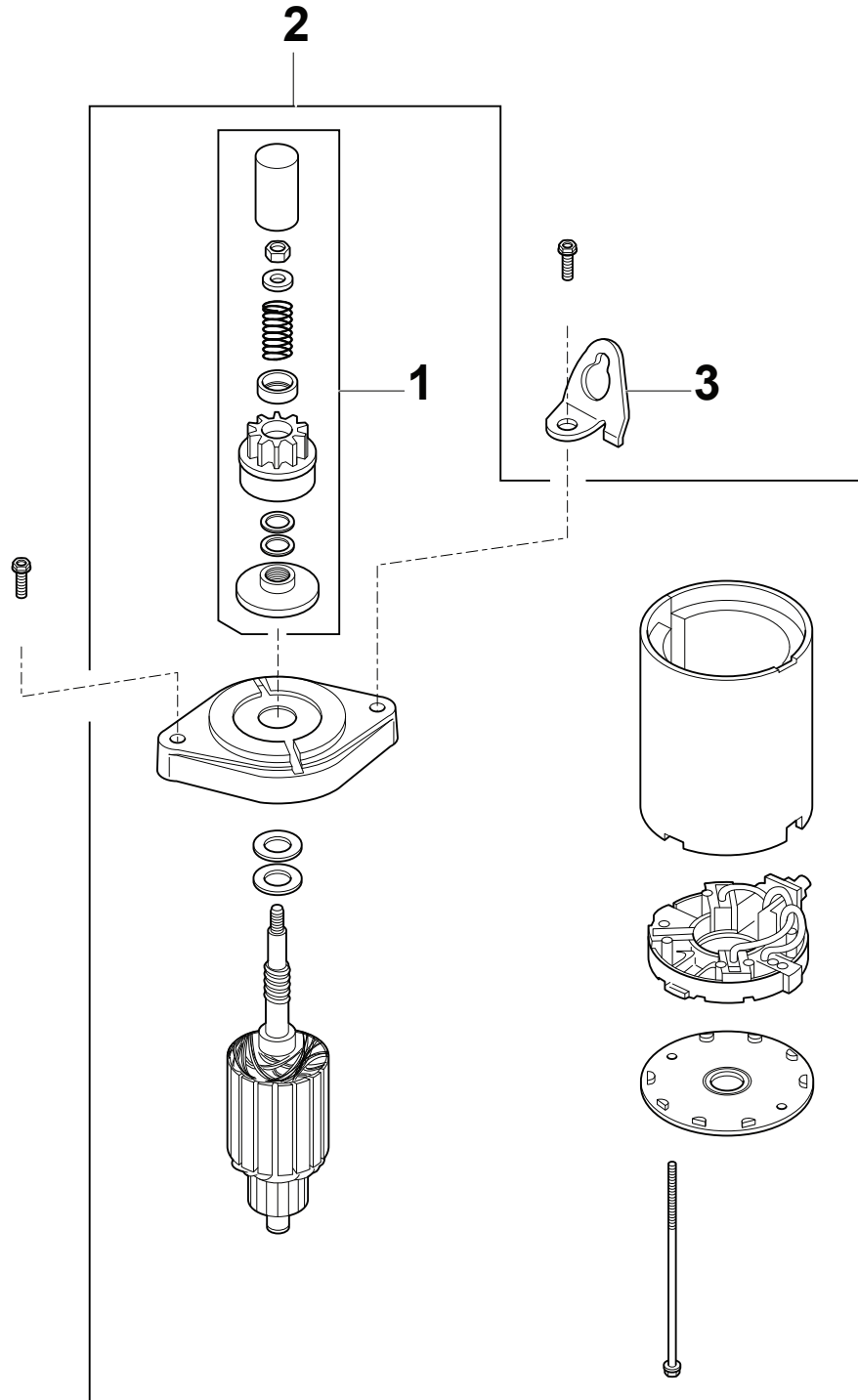
**Kawasaki**  
Engines



| Utgåva<br>Issue<br>3 - 2016 |               | Luftfilter/Ljuddämpare |                    | Air Filter/Muffler |                         |
|-----------------------------|---------------|------------------------|--------------------|--------------------|-------------------------|
| Pos.<br>Fig.                | Antal<br>Q.ty | Art nr<br>Part No      | Benämning          | Description        | Anmärkning<br>Notes     |
| 1                           | 1             | 118550954/0            | Luftfilterlock     | Filter Cover       | Kawasaki p/n 11011-0787 |
| 2                           | 1             | 118550955/0            | Luftfilter         | Air Filter         | Kawasaki p/n 11013-7046 |
| 3                           | 2             | 118550959/0            | Ljuddämparpackning | Muffler Gasket     | Kawasaki p/n 11060-7016 |
| 4                           | 1             | 118550969/0            | Packning           | Gasket             | Kawasaki p/n 11061-7095 |
| 5                           | 1             | 118551010/0            | Rör                | Pipe               | Kawasaki p/n 16060-0742 |
| 6                           | 1             | 118551076/0            | Plugg              | Plug               | Kawasaki p/n 92066-0095 |
| 7                           | 1             | 118551088/0            | Fäste              | Clamp              | Kawasaki p/n 92170-2042 |
| 8                           | 1             | 118551089/0            | Fäste              | Clamp              | Kawasaki p/n 92173-1001 |
| 9                           | 2             | 118551090/0            | Fäste              | Clamp              | Kawasaki p/n 92173-7003 |
| 10                          | 1             | 118551091/0            | Fäste              | Clamp              | Kawasaki p/n 92173-7009 |
| 11                          | 1             | 118551093/0            | Rör                | Tube               | Kawasaki p/n 92192-7146 |
| 12                          | 1             | 118551095/0            | Rör                | Tube               | Kawasaki p/n 92192-7164 |
| 13                          | 4             | 112293200/0            | Mutter             | Nut                | Kawasaki p/n 92210-7027 |
| 14                          | 2             | 118551105/0            | Knopp              | Knob               | Kawasaki p/n 92210-7038 |
| 15                          | 1             | 118551100/0            | Luftfilter         | Air Filter         | Kawasaki p/n 99999-0384 |
| 16                          | 4             | 112583500/0            | Lasbricka          | Grower             | Kawasaki p/n 461DA0800  |



| Utgåva<br>Issue<br>3 - 2016 |               | Fuel-Tank/Fuel-Valve |             | Fuel-Tank/Fuel-Valve |                         |
|-----------------------------|---------------|----------------------|-------------|----------------------|-------------------------|
| Pos.<br>Fig.                | Antal<br>Q.ty | Art nr<br>Part No    | Benämning   | Description          | Anmärkning<br>Notes     |
| 1                           | 1             | 118551034/0          | Hylsa       | Sleeve               | Kawasaki p/n 42036-7015 |
| 2                           | 1             | 118551039/0          | Filter      | Filter               | Kawasaki p/n 49019-7001 |
| 3                           | 1             | 118551040/0          | Bränslepump | Fuel pump            | Kawasaki p/n 49040-7008 |
| 4                           | 1             | 118551094/0          | Rör         | Tube                 | Kawasaki p/n 92192-7148 |
| 5                           | 1             | 118551097/0          | Rör         | Tube                 | Kawasaki p/n 92192-7172 |
| 6                           | 1             | 118551098/0          | Rör         | Tube                 | Kawasaki p/n 92192-7185 |



**Kawasaki**  
Engines

| Utgåva<br>Issue<br>3 - 2016 |               | Start<br>Starter  |           |             |                         |
|-----------------------------|---------------|-------------------|-----------|-------------|-------------------------|
| Pos.<br>Fig.                | Antal<br>Q.ty | Art nr<br>Part No | Benämning | Description | Anmärkning<br>Notes     |
| 1                           | 1             | 118550989/0       | Drev      | Gear        | Kawasaki p/n 13101-7010 |
| 2                           | 1             | 118551019/0       | Start     | Starter     | Kawasaki p/n 21163-0727 |
| 3                           | 1             | 118551029/0       | Bärögla   | Hook        | Kawasaki p/n 27012-7008 |









| code        | pos. | q.ty | page  |             |     |   |       |             |     |   |       |  |
|-------------|------|------|-------|-------------|-----|---|-------|-------------|-----|---|-------|--|
| 325060144/0 | 11   | 1    | p. 33 | 325735523/0 | 15  | 1 | p. 11 | 382598005/2 | 35  | 1 | p. 19 |  |
| 325060145/0 | 12   | 1    | p. 33 | 325737002/0 | 54  | 2 | p. 7  | 382650043/0 | 75  | 1 | p. 35 |  |
| 325076866/0 | 1    | 1    | p. 9  | 325743000/0 | 5   | 1 | p. 11 | 382650045/0 | 61  | 1 | p. 3  |  |
| 325076953/0 | 4    | 1    | p. 9  | 325755025/1 | 97  | 1 | p. 5  | 382722432/0 | 1   | 1 | p. 37 |  |
| 325076956/0 | 108  | 1    | p. 9  | 325755031/0 | 12  | 1 | p. 35 | 382735502/0 | 42  | 1 | p. 39 |  |
| 325076959/1 | 9    | 1    | p. 7  | 325755071/0 | 79  | 2 | p. 17 | 382774207/0 | 77  | 1 | p. 3  |  |
| 325108031/0 | 10   | 1    | p. 7  | 325774213/0 | 43  | 1 | p. 39 | 382785021/8 | 12  | 1 | p. 7  |  |
| 325109754/0 | 71   | 1    | p. 7  | 325774267/0 | 13  | 2 | p. 33 | 382785022/9 | 11  | 1 | p. 7  |  |
| 325109793/0 | 73   | 1    | p. 7  | 325774273/1 | 5   | 2 | p. 3  | 382785084/1 | 4   | 1 | p. 29 |  |
| 325109794/0 | 74   | 1    | p. 7  | 325774301/2 | 106 | 1 | p. 7  | 382785109/0 | 45  | 1 | p. 21 |  |
| 325110278/1 | 63   | 1    | p. 7  | 325774373/0 | 10  | 2 | p. 33 | 382785137/0 | 13  | 1 | p. 7  |  |
| 325110279/0 | 64   | 1    | p. 7  | 325774417/0 | 11  | 1 | p. 35 | 382785251/0 | 102 | 2 | p. 7  |  |
| 325110308/0 | 81   | 1    | p. 7  | 325774421/0 | 16  | 1 | p. 33 | 382785253/0 | 103 | 4 | p. 7  |  |
| 325110416/0 | 2    | 1    | p. 15 | 325774423/0 | 14  | 2 | p. 33 | 382800089/1 | 72  | 1 | p. 35 |  |
| 325110417/0 | 42   | 1    | p. 15 | 325774425/0 | 15  | 1 | p. 33 | 382800123/1 | 71  | 1 | p. 35 |  |
| 325110418/0 | 43   | 1    | p. 15 | 325774453/0 | 19  | 1 | p. 11 | 387185100/0 | 4   | 1 | p. 43 |  |
| 325110466/0 | 61   | 1    | p. 7  | 325774477/0 | 61  | 1 | p. 15 |             |     |   |       |  |
| 325120233/0 | 49   | 1    | p. 7  | 325774575/0 | 39  | 1 | p. 3  |             |     |   |       |  |
| 325120234/0 | 20   | 1    | p. 7  | 325785133/5 | 14  | 1 | p. 3  |             |     |   |       |  |
| 325120254/0 | 16   | 1    | p. 7  | 325785137/1 | 22  | 1 | p. 3  |             |     |   |       |  |
| 325140097/0 | 72   | 1    | p. 39 | 325785143/1 | 21  | 1 | p. 15 |             |     |   |       |  |
| 325140100/0 | 51   | 1    | p. 31 | 325785147/2 | 85  | 1 | p. 5  |             |     |   |       |  |
| 325150000/0 | 16   | 2    | p. 11 | 325785149/3 | 80  | 1 | p. 3  |             |     |   |       |  |
| 325160501/0 | 14   | 2    | p. 31 | 325785213/1 | 8   | 1 | p. 11 |             |     |   |       |  |
| 325207129/0 | 76   | 1    | p. 7  | 325785272/0 | 26  | 1 | p. 35 |             |     |   |       |  |
| 325253001/0 | 25   | 1    | p. 15 | 325785354/0 | 44  | 4 | p. 15 |             |     |   |       |  |
| 325256250/0 | 91   | 1    | p. 7  | 325785354/0 | 76  | 2 | p. 27 |             |     |   |       |  |
| 325280000/1 | 77   | 1    | p. 39 | 325785355/0 | 75  | 2 | p. 27 |             |     |   |       |  |
| 325318115/1 | 36   | 1    | p. 29 | 325785449/0 | 68  | 1 | p. 7  |             |     |   |       |  |
| 325318153/1 | 48   | 2    | p. 25 | 325785479/0 | 80  | 1 | p. 17 |             |     |   |       |  |
| 325318157/0 | 52   | 1    | p. 21 | 325840001/0 | 40  | 1 | p. 11 |             |     |   |       |  |
| 325318161/0 | 34   | 2    | p. 25 | 325869016/1 | 2   | 1 | p. 19 |             |     |   |       |  |
| 325318223/0 | 72   | 2    | p. 27 | 325869043/0 | 3   | 1 | p. 39 |             |     |   |       |  |
| 325318303/0 | 86   | 1    | p. 5  | 325961222/1 | 1   | 1 | p. 43 |             |     |   |       |  |
| 325318327/0 | 40   | 1    | p. 3  | 382000389/1 | 41  | 1 | p. 15 |             |     |   |       |  |
| 325394005/0 | 73   | 1    | p. 39 | 382000477/2 | 43  | 2 | p. 25 |             |     |   |       |  |
| 325394009/0 | 84   | 1    | p. 7  | 382000551/0 | 10  | 1 | p. 25 |             |     |   |       |  |
| 325394536/0 | 7    | 1    | p. 25 | 382000579/0 | 50  | 1 | p. 15 |             |     |   |       |  |
| 325430255/0 | 100  | 1    | p. 5  | 382000585/0 | 73  | 1 | p. 27 |             |     |   |       |  |
| 325470901/0 | 4    | 1    | p. 25 | 382000626/0 | 5   | 1 | p. 15 |             |     |   |       |  |
| 325547081/2 | 3    | 1    | p. 15 | 382033105/1 | 44  | 1 | p. 39 |             |     |   |       |  |
| 325547131/0 | 76   | 1    | p. 35 | 382034001/3 | 35  | 1 | p. 11 |             |     |   |       |  |
| 325547281/1 | 10   | 1    | p. 15 | 382108016/1 | 9   | 1 | p. 33 |             |     |   |       |  |
| 325580508/0 | 2    | 1    | p. 43 | 382110299/0 | 82  | 1 | p. 7  |             |     |   |       |  |
| 325592000/0 | 44   | 1    | p. 19 | 382110300/0 | 85  | 1 | p. 7  |             |     |   |       |  |
| 325592001/0 | 33   | 1    | p. 15 | 382180110/0 | 99  | 1 | p. 35 |             |     |   |       |  |
| 325592002/0 | 34   | 1    | p. 15 | 382185500/1 | 5   | 1 | p. 9  |             |     |   |       |  |
| 325599017/0 | 66   | 1    | p. 7  | 382185501/1 | 6   | 1 | p. 9  |             |     |   |       |  |
| 325599018/0 | 65   | 1    | p. 7  | 382207200/1 | 8   | 1 | p. 31 |             |     |   |       |  |
| 325601570/1 | 21   | 2    | p. 21 | 382207201/2 | 9   | 1 | p. 31 |             |     |   |       |  |
| 325601599/0 | 17   | 1    | p. 21 | 382230359/0 | 39  | 1 | p. 11 |             |     |   |       |  |
| 325601599/0 | 40   | 1    | p. 29 | 382230361/0 | 38  | 1 | p. 11 |             |     |   |       |  |
| 325605002/0 | 73   | 1    | p. 17 | 382263503/0 | 101 | 1 | p. 7  |             |     |   |       |  |
| 325605003/0 | 90   | 1    | p. 7  | 382318139/0 | 2   | 1 | p. 25 |             |     |   |       |  |
| 325650037/0 | 9    | 1    | p. 29 | 382318155/0 | 31  | 1 | p. 25 |             |     |   |       |  |
| 325650065/0 | 17   | 2    | p. 3  | 382318157/0 | 32  | 1 | p. 25 |             |     |   |       |  |
| 325650067/0 | 20   | 1    | p. 3  | 382318165/1 | 5   | 1 | p. 21 |             |     |   |       |  |
| 325650117/0 | 73   | 2    | p. 35 | 382318185/0 | 43  | 1 | p. 11 |             |     |   |       |  |
| 325670008/1 | 41   | 4    | p. 25 | 382394645/0 | 3   | 1 | p. 9  |             |     |   |       |  |
| 325670008/1 | 57   | 4    | p. 25 | 382394646/0 | 2   | 1 | p. 9  |             |     |   |       |  |
| 325670011/0 | 27   | 1    | p. 15 | 382400003/1 | 2   | 1 | p. 39 |             |     |   |       |  |
| 325670011/0 | 51   | 7    | p. 25 | 382500011/2 | 1   | 1 | p. 15 |             |     |   |       |  |
| 325670011/0 | 55   | 1    | p. 21 | 382510041/2 | 9   | 1 | p. 3  |             |     |   |       |  |
| 325670025/0 | 77   | 2    | p. 23 | 382510043/2 | 10  | 1 | p. 3  |             |     |   |       |  |
| 325735111/3 | 51   | 1    | p. 19 | 382547029/3 | 1   | 1 | p. 29 |             |     |   |       |  |
| 325735506/1 | 17   | 1    | p. 25 | 382547051/0 | 1   | 1 | p. 35 |             |     |   |       |  |
|             |      |      |       | 382564153/0 | 1   | 1 | p. 31 |             |     |   |       |  |