



## **Reservdelskatalog Parts Catalogue**

# **EXCEL 55 SVQ H**

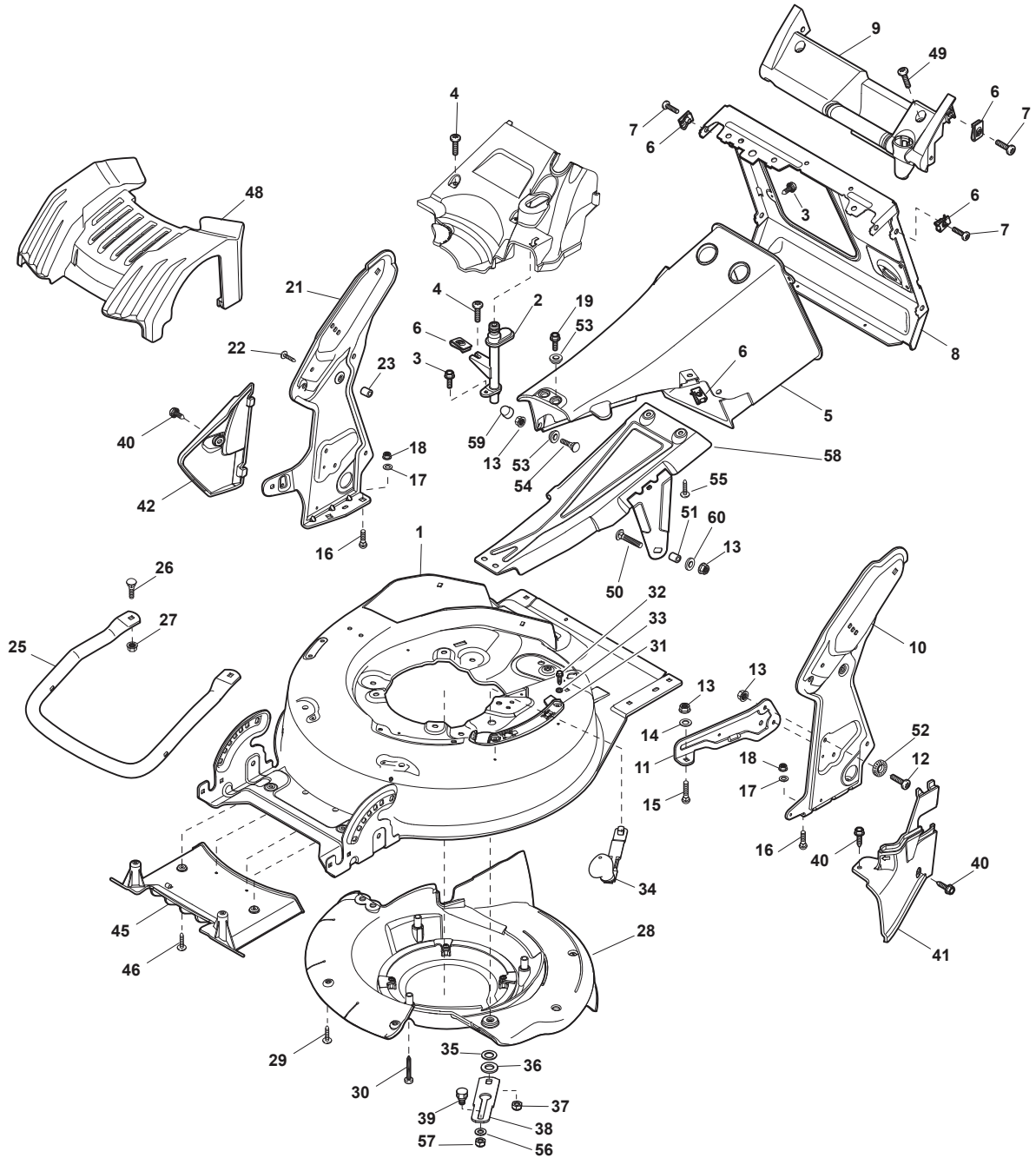
**290557038/S14 - Season 2015**

- Use GLOBAL GARDEN PRODUCT Genuine Spare Parts specified in the parts list for repair and/or replacement.
  - The contents described in the parts list may change due to improvement.
  - The drawings of the spare parts are only indicative and might not represent the part in question exactly.
  - The indications "right" - "left" - "front" - "rear" refer to the position of the operator when using the machine.
- When placing orders of parts for repair and/or replacement, make sure that the illustrated parts list is the one applying to the machine's year of manufacture, as shown on the identification plate attached to the machine.

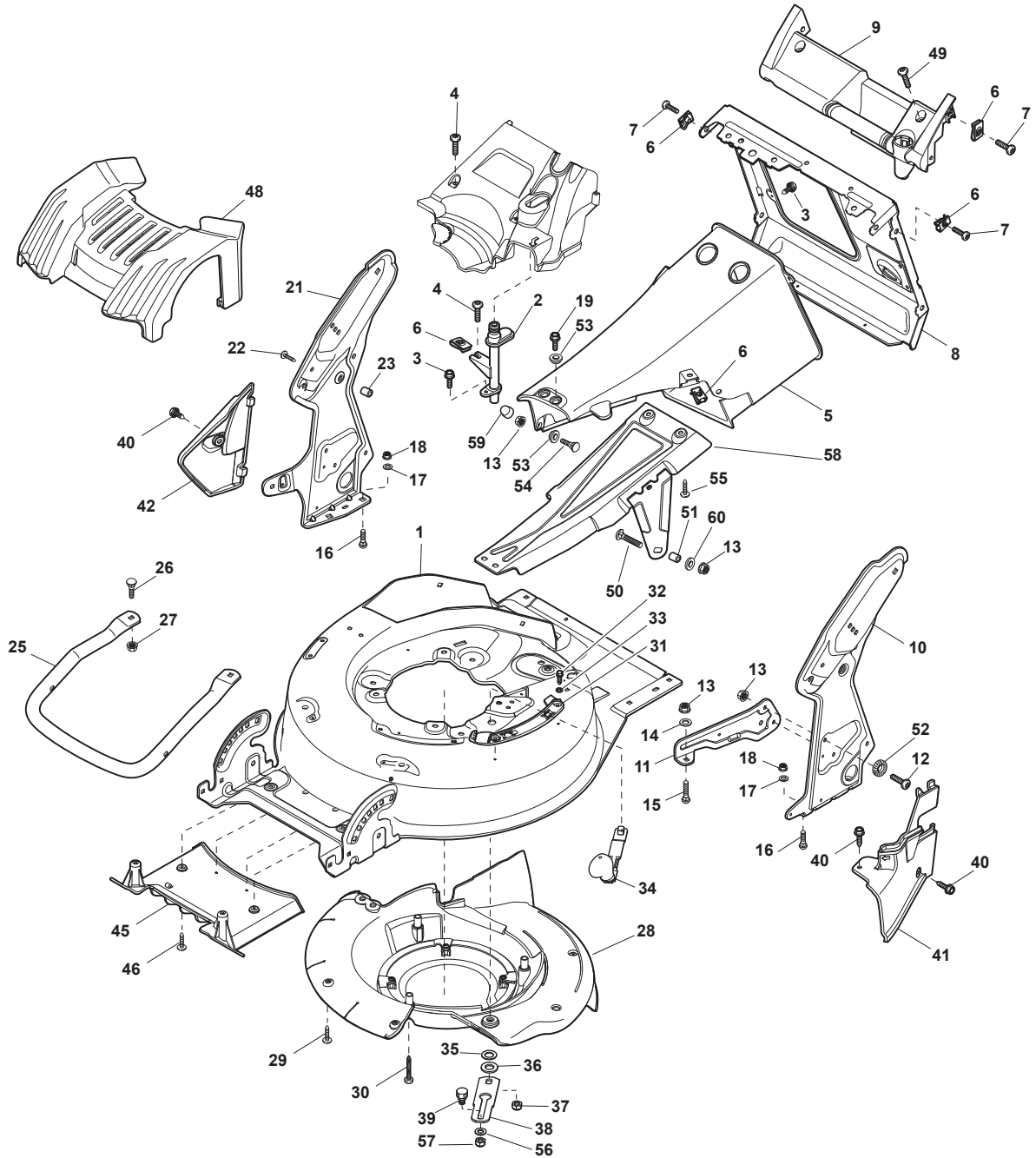
© Copyright 2015 Global Garden Products

All rights reserved. No part of this material may be reproduced or transmitted, in any form or by any means, electronic or mechanical, including photocopying, recording or by any information storage and retrieval system, without permission in writing from GLOBAL GARDEN PRODUCTS.

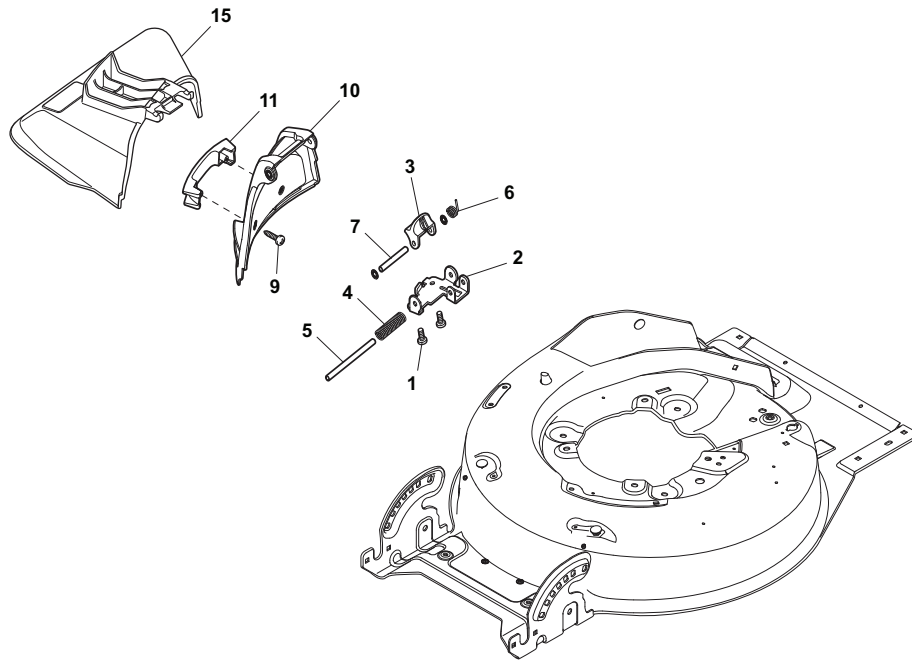
[www.stiga.com](http://www.stiga.com)



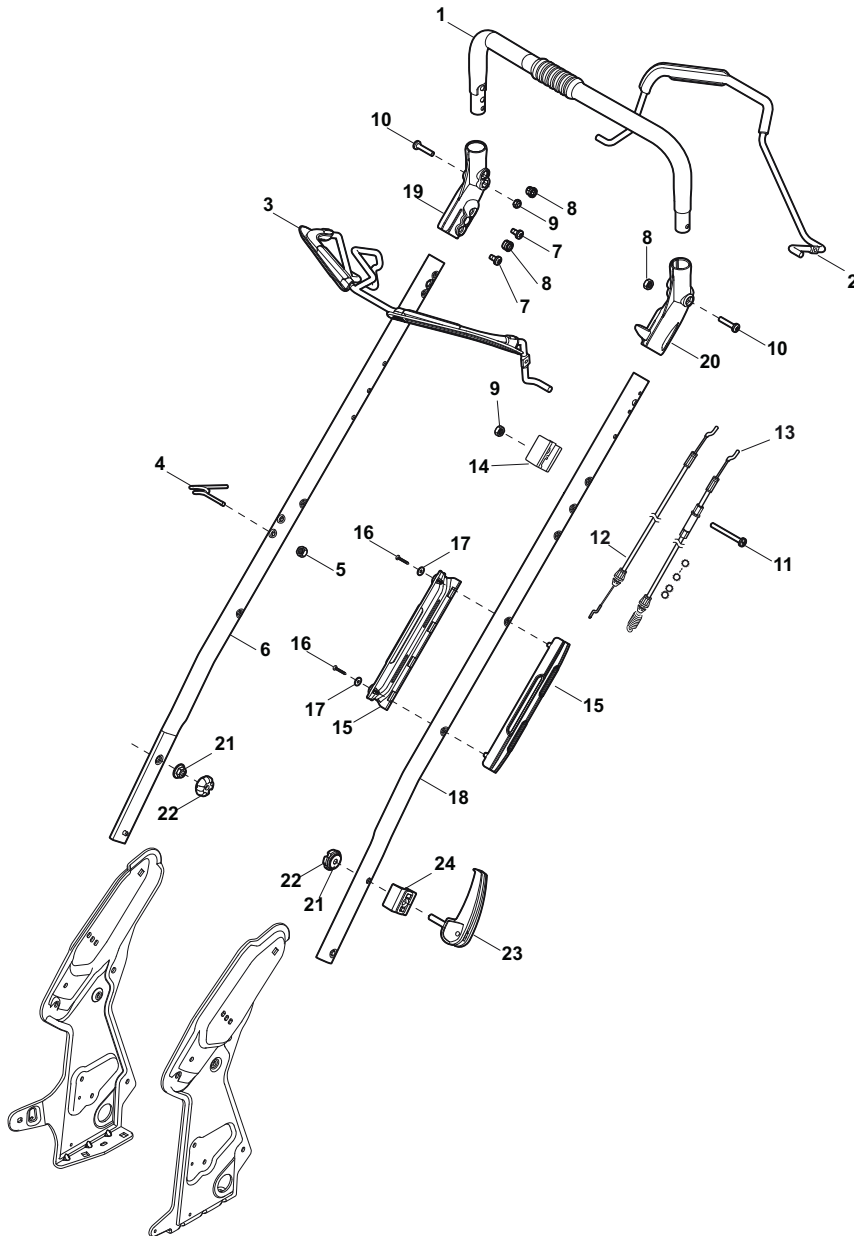
Utgåva Issue 3 - 2015		Kapa och höjdställning		Deck And Height Adjusting	
Pos. Fig.	Antal Quantity	Art nr Part No	Benämning	Description	Anmärkning Notes
1	1	381004740/0	Chassi-gra	Grey Deck	
2	1	322034001/1	Tvättanslutning	Washing Connection	
3	5	125943004/0	Skruv	Screw	
4	2	112727802/0	Skruv	Screw	
5	1	322108294/0	Ejection Transportör	Ejection Conveyor Yellow	
6	12	112437507/0	Plat	Rapid Fixing Plate	
7	8	112727802/0	Skruv	Screw	
8	1	381545321/1	Platta kpl	Rear Plate	
8	1	381545323/1	Platta kpl	Rear Plate	
9	1	322785282/0	Fäste	Stone Guard Support	
10	1	381545333/0	Fäste-vä	Left Bracket	
11	1	322545191/0	Fäste	Tie Rod Plate	
12	2	112727803/0	Skruv	Screw	
13	4	112154510/0	Mutter	Nut	
14	1	112521330/0	Bricka	Washer	
15	1	112815200/0	Skruv	Screw	
16	4	112818690/0	Skruv	Screw	
17	4	112521350/0	Bricka	Washer	
18	4	112155000/0	Mutter	Nut	
19	2	112727801/0	Skruv	Screw	
21	1	381545331/0	Fäste-hö	Right Bracket	
22	2	112735662/1	Skruv	Screw	
23	2	122534128/0	Stift	Stake	
25	2	381393702/0	Front Handtag kpl	Protection	
26	2	112815205/0	Skruv	Screw	
27	2	112154510/0	Mutter	Nut	
28	1	381102203/0	Mulchingplugg	Complete Mulching Carter	
29	2	125943004/0	Skruv	Screw	
30	3	112735115/0	Skruv	Screw	
31	1	322500052/2	Plugg För Mulching	Shoe	
32	2	112731580/0	Skruv	Screw	
33	2	112521331/0	Bricka	Washer	
34	1	381003338/0	Mulching Engage Spak kpl Dm (Ric)	Mulching Engage Lever Assy Dm (Ric)	
35	1	321660100/0	Bricka	Washer	
36	1	112521370/0	Bricka	Washer	
37	1	112154210/0	Mutter	Nut	
38	1	322320009/0	Arm	Control Lever	
39	1	122042022/0	Bussning	Mulching Compass Wbh Diamond	
40	3	125943004/0	Skruv	Screw	
41	1	322109830/0	Side Kapa Svart, Vänster	Rear Left Side Cover Deck Black	
42	1	322109825/0	Side Kapa Svart, höger	Rear Right Side Cover Deck Black	
45	1	322500101/0	Luftintag	Front Combi	
46	2	112728703/0	Skruv	Screw	
48	1	322226200/0	Plastfront Sa Dm55 gra Ncs S8000-N	Mask, Grey	
49	2	112727801/0	Skruv	Screw	
50	2	112815270/0	Skruv	Screw	
51	2	122042023/0	Bussning	Bushing	



Utgåva Issue 3 - 2015		Kapa och höjdställning Deck And Height Adjusting			
Pos. Fig.	Antal Quantity	Art nr Part No	Benämning	Description	Anmärkning Notes
52	2	112540040/0	Bricka	Washer	
53	6	325160039/0	Distans	Spacer	
54	1	112794986/0	Skruv	Screw	
55	2	112727799/0	Skruv	Screw	
56	1	112521350/0	Bricka	Washer	
57	1	112155000/0	Mutter	Nut	
58	1	381608501/0	Förstärkning	Stiffening Lower	
59	1	118203853/0	Skruv	Screw	
60	1	112523040/0	Bricka	Washer	

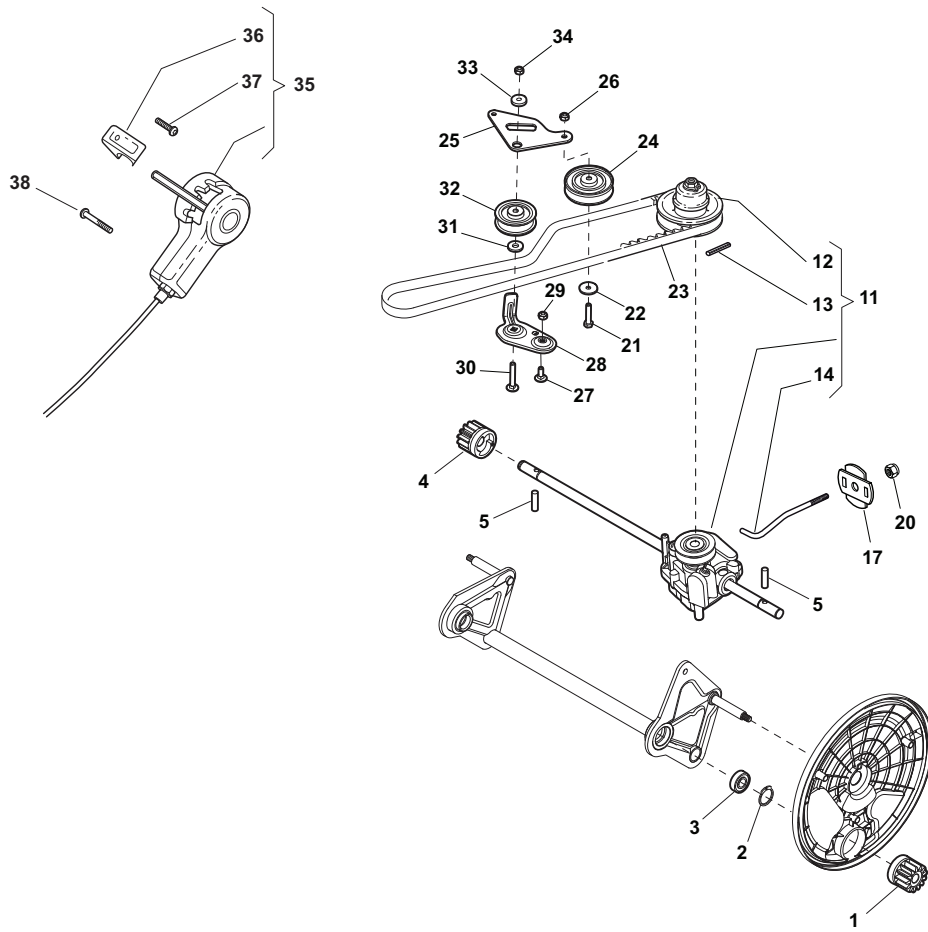


Utgåva Issue 3 - 2015		Utkastskydd Ejection-Guard			
Pos. Fig.	Antal Quantity	Art nr Part No	Benämning	Description	Anmärkning Notes
1	2	112727803/0	Skruv	Screw	
2	1	322806635/1	Stenskydd Fulcrum Fäste	Fulcrum Pin	
3	1	322783010/1	Fäste	Safety Button	
4	1	122450456/0	Fjäder	Spring	
5	1	122517864/0	Stift	Pin	
6	1	122450457/0	Fjäder	Safety Spring	
7	1	122517866/0	Stift	Pin	
9	2	112728706/0	Skruv	Screw	
10	1	322600200/0	Utkastskydd	Ejection Guard	
11	1	322393633/0	Handtag	Handle	
15	1	322108289/0	Utkastskydd	Side Ejection Conveyor	

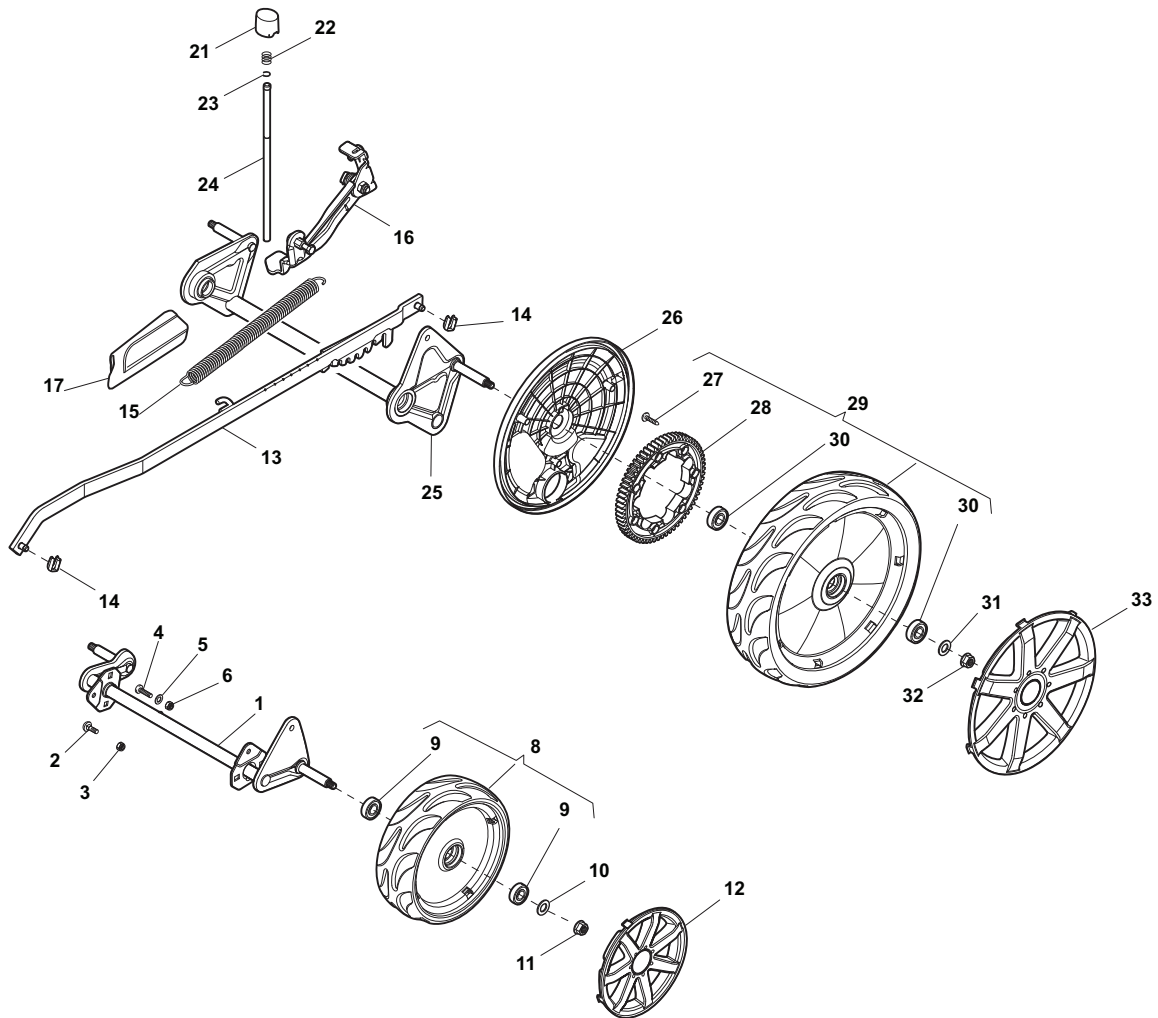




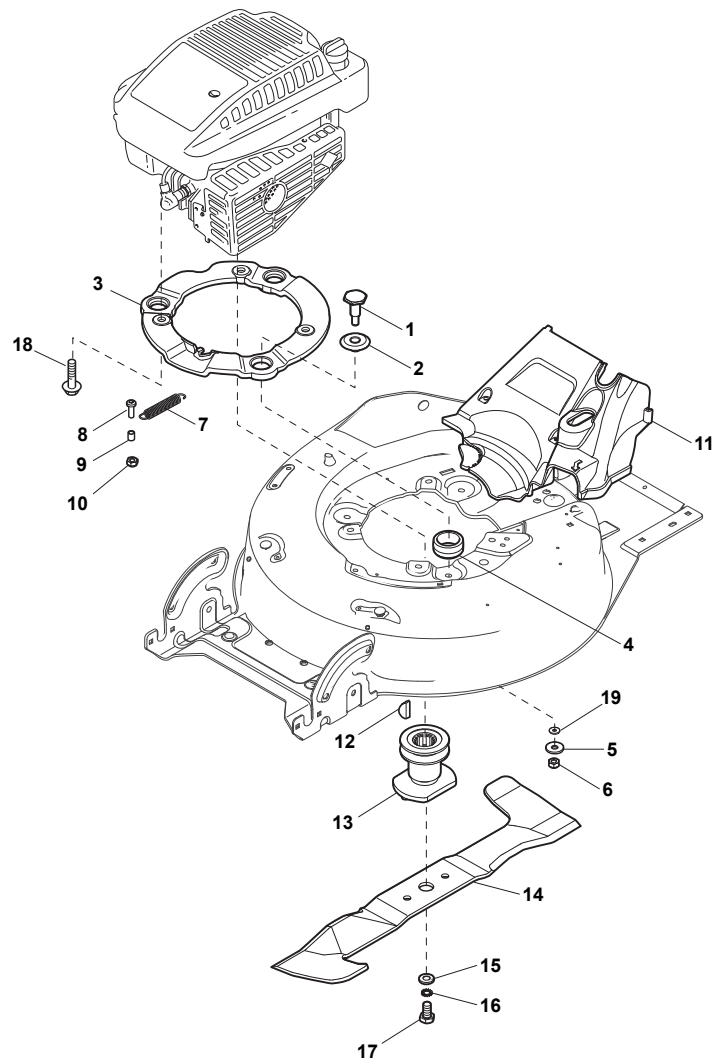
Utgåva Issue 3 - 2015		Reglage, övre Handle, Upper Part			
Pos. Fig.	Antal Quantity	Art nr Part No	Benämning	Description	Anmärkning Notes
1	1	381006670/2	Styrrör	Handle Tube	
2	1	381003349/0	Bygel Drivning	Lever, Driving	
3	1	381003344/0	Reglagebygel	Lever, Engine Brake	
4	1	122430309/0	Fjäder	Spring	
5	1	112154330/0	Mutter	Nut	
6	1	381006821/0	Ass. Stump Dx Man. D 25 Dm Gray Astr	Handle Grey, Right	
7	4	112735662/1	Skruv	Screw	
8	3	322041967/1	Bussning	Bushing	
9	3	112154510/0	Mutter	Nut	
10	2	112728721/0	Skruv	Screw	
11	1	112727786/0	Skruv	Screw	
12	1	181030066/0	Motorbromswire	Cable, Thread Engine Brake	
13	1	381030068/0	Kopplingswire	Cable Rear Drive	
14	1	322551639/0	Plat	Fixed Plate	
15	1	322806644/0	Skydd	Protection	
16	2	112727812/0	Skruv	Screw	
17	2	112523000/1	Bricka	Washer	
18	1	381006823/0	Ass. Stump Man Sx. D 25 Dm Gray Astr	Handle Grey, Left	
19	1	322488301/0	Joining Bussning Ho	Joint Sleeve Grey Right	
20	1	322488303/0	Joining Bussning Va	Joining Sleeve Grey Left	
21	2	112154220/0	Mutter	Nut	
22	2	322399835/0	Handtagsknopp	Knob	
23	2	381003253/0	övre Lock Handtag Spak Ntd	Handle	
24	2	322680017/0	Bricka	Washer	



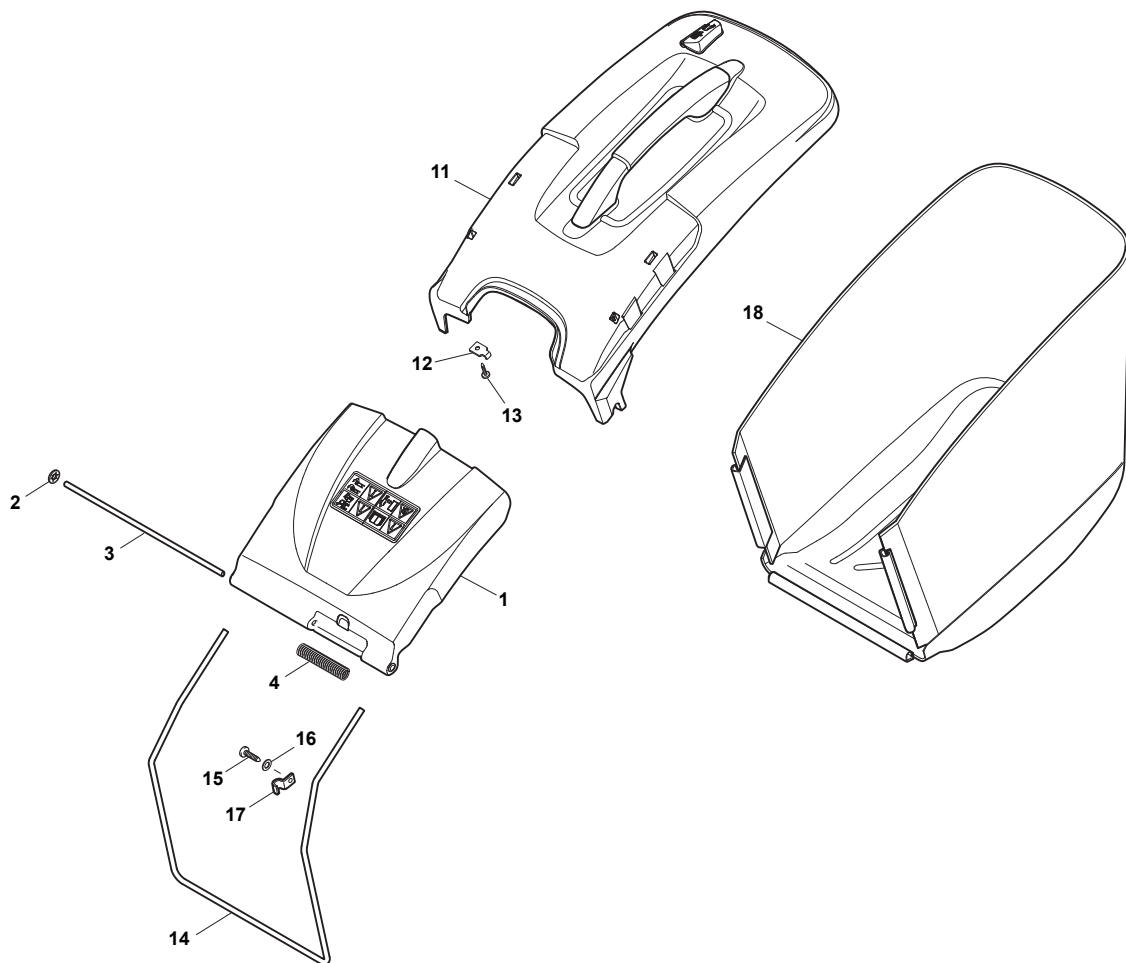
Utgåva Issue 3 - 2015		Bakhjulsdrivning		Transmission	
Pos. Fig.	Antal Quantity	Art nr Part No	Benämning	Description	Anmärkning Notes
1	1	122570132/0	Drev	Left Pinion	
2	4	112608600/0	Segersäkringsåkring Sga12	Seeger	
3	2	119216035/0	Lager	Bearing	
4	1	122570131/0	Drev	Right Pinion	
5	2	122753000/0	Spännstift	Pin	
11	1	181003107/1	Växellada 4S	Gear Box	
12	1	122601932/0		Pulley	
13	1	112645700/0	Spännstift	Elastic Pin	
14	1	122033298/0	Justerstang	Adjustment Rod	
17	2	322675113/0	Bricka	Washer	
20	1	112154510/0	Mutter	Nut	
21	1	112674550/0	Skruv	Screw	
22	1	112523050/0	Bricka	Washer	
23	1	135064386/0	Drivrem	Belt	
24	1	122601914/0	Remskiva	Pulley	
25	1	322322835/0	Arm	Lever	
26	1	112154510/0	Mutter	Nut	
27	1	112815205/0	Skruv	Screw	
28	1	322806637/1	Fäste	Support	
29	1	112154510/0	Mutter	Nut	
30	1	112815240/0	Skruv	Screw	
31	1	122671653/0	Bricka	Washer	
32	1	122601915/0	Remskiva	Pulley	
33	1	122671656/0	Bricka	Washer	
34	1	112154510/0	Mutter	Nut	
35	1	381007189/0	Variatorreglage	Speed Control Ass.Y	
36	1	322399820/0	Knopp	Knob	
37	2	112728702/0	Skruv	Screw	
38	2	112728536/0	Skruv	Screw	



Utgåva Issue 3 - 2015		Hjul och navkapsel Wheels and Hub Caps			
Pos. Fig.	Antal Quantity	Art nr Part No	Benämning	Description	Anmärkning Notes
1	1	381302801/0	Hjulaxel-fram	Front Wheel Axle	
2	4	112815205/0	Skruv	Screw	
3	4	112154510/0	Mutter	Nut	
4	2	112727799/0	Skruv	Screw	
5	2	112523040/0	Bricka	Washer	
6	2	112154510/0	Mutter	Nut	
8	2	381007394/1	Hjul	Wheel	
9	4	119216035/0	Lager	Bearing	
10	2	112521350/0	Bricka	Washer	
11	2	112155000/0	Mutter	Nut	
12	2	322110597/0	Diamond Navkapsel D210 gra Ral 9022	Hub Cap Grey	
13	1	381002035/0	Höjdjusteringsstag	Rod, Height Adjustment	
14	2	112436051/0	Plat	Plate	
15	1	122450459/1	Fjäder	Spring	
16	1	381003337/1	kpllete Hjul Adj.Spak	Lever, Height Adjustment	
17	1	322570202/0	Lock Svart	Adjustment Plate	
21	1	322602012/1	Knapp	Height Adj. Button	
22	1	122450462/0	Fjäder	Spring	
23	1	112000930/0	Lasring	Benzing Ring	
24	1	122033351/1	Stang	Rod	
25	1	381002899/0	Hjulaxel-bakre	Rear Wheel Axle	
26	2	322600179/0	Hjulsydd	Internal Wheel Protection	
27	6	112728691/0	Skruv	Screw	
28	2	322120113/0	Drev	Wheels Crown	
29	2	381007398/1	Hjul	Wheel	
30	4	119216035/0	Lager	Bearing	
31	2	112521350/0	Bricka	Washer	
32	2	112155000/0	Mutter	Nut	
33	2	322110598/0	Diamond Navkapsel D260 gra Ral 9022	Hub Cap Grey	



Utgåva Issue 3 - 2015		Kniv Blade			
Pos. Fig.	Antal Quantity	Art nr Part No	Benämning	Description	Anmärkning Notes
1	3	122519816/0	Stift	Pin	
2	3	322672201/0	Bricka	Washer	
3	1	322207226/0	Motorfläns	Flange	
4	3	322250014/0	Gummi	Rubber	
5	3	112521350/0	Bricka	Washer	
6	3	112155000/0	Mutter	Nut	
7	1	122450461/0	Fjäder	Spring	
8	1	112727801/0	Skruv	Screw	
9	1	122170846/0	Skruv	Screw	
10	1	112154510/0	Mutter	Nut	
11	1	322060230/0	Remskydd	Belt Protection	
12	1	112139150/0	Kil D25Mm	Feather, Crankshaft Ø 25	
13	1	122465639/1	Knivfäste	Hub With Pulley, Crankshaft Ø 25	
14	1	181004454/0	Mulcherkniv	Mulching Blade	
15	1	122160400/0	Fjäderbricka	Elastic Disc	
16	1	112523080/0	Bricka	Washer	
17	1	112736815/0	Skruv	Screw	
18	3	112735108/1	Skruv	Screw	
19	3	122170850/0	Distans. Fläns Avs X Rsb Diamond	Distance Flangia Avs X Rsb Diamond	





Utgåva Issue 3 - 2015		Gräsuppsamlare Grass-Catcher			
Pos. Fig.	Antal Quantity	Art nr Part No	Benämning	Description	Anmärkning Notes
11	1	381486032/0	Uppsamlare Bag överdel kpl	Upper Grasscat.+Handle+Full Bag Dm	
18	1	181102335/0	Uppsamlingsäck	Fabric Box Stiga	Stiga
1	1	322600180/4	Stenskydd Diamond svart	Stone-Guard	Black
2	2	112604899/0	Starlock P6704 8 Fz	Crown Fastener	
3	1	122517863/0	Stift	Pin	
4	1	122450455/1	Fjäder	Spring	
12	2	322545159/0	Plat	Plate	
13	2	112728689/0	Skruv	Screw	
14	1	122608542/0	Förstärkning	Lower Stiffening	
15	2	112728689/0	Skruv	Screw	
16	2	112521320/0	Bricka	Washer	
17	2	325774220/0	Fäste	Bracket	

code	pos.	q.ty	page									
112000930/0	23	1	p. 13	112794986/0	54	1	p. 5	322399835/0	22	2	p. 9	
112139150/0	12	1	p. 15	112815200/0	15	1	p. 3	322488301/0	19	1	p. 9	
112154210/0	37	1	p. 3	112815205/0	2	4	p. 13	322488303/0	20	1	p. 9	
112154220/0	21	2	p. 9	112815205/0	26	2	p. 3	322500052/2	31	1	p. 3	
112154330/0	5	1	p. 9	112815205/0	27	1	p. 11	322500101/0	45	1	p. 3	
112154510/0	3	4	p. 13	112815240/0	30	1	p. 11	322545159/0	12	2	p. 17	
112154510/0	6	2	p. 13	112815270/0	50	2	p. 3	322545191/0	11	1	p. 3	
112154510/0	9	3	p. 9	112818690/0	16	4	p. 3	322551639/0	14	1	p. 9	
112154510/0	10	1	p. 15	118203853/0	59	1	p. 5	322570202/0	17	1	p. 13	
112154510/0	13	4	p. 3	119216035/0	3	2	p. 11	322600179/0	26	2	p. 13	
112154510/0	20	1	p. 11	119216035/0	9	4	p. 13	322600180/4	1	1	p. 17	
112154510/0	26	1	p. 11	119216035/0	30	4	p. 13	322600200/0	10	1	p. 7	
112154510/0	27	2	p. 3	122033298/0	14	1	p. 11	322602012/1	21	1	p. 13	
112154510/0	29	1	p. 11	122033351/1	24	1	p. 13	322672201/0	2	3	p. 15	
112154510/0	34	1	p. 11	122042022/0	39	1	p. 3	322675113/0	17	2	p. 11	
112155000/0	6	3	p. 15	122042023/0	51	2	p. 3	322680017/0	24	2	p. 9	
112155000/0	11	2	p. 13	122160400/0	15	1	p. 15	322783010/1	3	1	p. 7	
112155000/0	18	4	p. 3	122170846/0	9	1	p. 15	322785282/0	9	1	p. 3	
112155000/0	32	2	p. 13	122170850/0	19	3	p. 15	322806635/1	2	1	p. 7	
112155000/0	57	1	p. 5	122430309/0	4	1	p. 9	322806637/1	28	1	p. 11	
112436051/0	14	2	p. 13	122450455/1	4	1	p. 17	322806644/0	15	1	p. 9	
112437507/0	6	12	p. 3	122450456/0	4	1	p. 7	325160039/0	53	6	p. 5	
112521320/0	16	2	p. 17	122450457/0	6	1	p. 7	325774220/0	17	2	p. 17	
112521330/0	14	1	p. 3	122450459/1	15	1	p. 13	381002035/0	13	1	p. 13	
112521331/0	33	2	p. 3	122450461/0	7	1	p. 15	381002899/0	25	1	p. 13	
112521350/0	5	3	p. 15	122450462/0	22	1	p. 13	381003253/0	23	2	p. 9	
112521350/0	10	2	p. 13	122465639/1	13	1	p. 15	381003337/1	16	1	p. 13	
112521350/0	17	4	p. 3	122517863/0	3	1	p. 17	381003338/0	34	1	p. 3	
112521350/0	31	2	p. 13	122517864/0	5	1	p. 7	381003344/0	3	1	p. 9	
112521350/0	56	1	p. 5	122517866/0	7	1	p. 7	381003349/0	2	1	p. 9	
112521370/0	36	1	p. 3	122519816/0	1	3	p. 15	381004740/0	1	1	p. 3	
112523000/1	17	2	p. 9	122534128/0	23	2	p. 3	381006670/2	1	1	p. 9	
112523040/0	5	2	p. 13	122570131/0	4	1	p. 11	381006821/0	6	1	p. 9	
112523040/0	60	1	p. 5	122570132/0	1	1	p. 11	381006823/0	18	1	p. 9	
112523050/0	22	1	p. 11	122601914/0	24	1	p. 11	381007189/0	35	1	p. 11	
112523080/0	16	1	p. 15	122601915/0	32	1	p. 11	381007394/1	8	2	p. 13	
112540040/0	52	2	p. 5	122601932/0	12	1	p. 11	381007398/1	29	2	p. 13	
112604899/0	2	2	p. 17	122608542/0	14	1	p. 17	381030068/0	13	1	p. 9	
112608600/0	2	4	p. 11	122671653/0	31	1	p. 11	381102203/0	28	1	p. 3	
112645700/0	13	1	p. 11	122671656/0	33	1	p. 11	381302801/0	1	1	p. 13	
112674550/0	21	1	p. 11	122753000/0	5	2	p. 11	381393702/0	25	2	p. 3	
112727786/0	11	1	p. 9	125943004/0	3	5	p. 3	381486032/0	11	1	p. 17	
112727799/0	4	2	p. 13	125943004/0	29	2	p. 3	381545321/1	8	1	p. 3	
112727799/0	55	2	p. 5	125943004/0	40	3	p. 3	381545323/1	8	1	p. 3	
112727801/0	8	1	p. 15	135064386/0	23	1	p. 11	381545331/0	21	1	p. 3	
112727801/0	19	2	p. 3	181003107/1	11	1	p. 11	381545333/0	10	1	p. 3	
112727801/0	49	2	p. 3	181004454/0	14	1	p. 15	381608501/0	58	1	p. 5	
112727802/0	4	2	p. 3	181030066/0	12	1	p. 9					
112727802/0	7	8	p. 3	181102335/0	18	1	p. 17					
112727803/0	1	2	p. 7	321660100/0	35	1	p. 3					
112727803/0	12	2	p. 3	322034001/1	2	1	p. 3					
112727812/0	16	2	p. 9	322041967/1	8	3	p. 9					
112728536/0	38	2	p. 11	322060230/0	11	1	p. 15					
112728689/0	13	2	p. 17	322108289/0	15	1	p. 7					
112728689/0	15	2	p. 17	322108294/0	5	1	p. 3					
112728691/0	27	6	p. 13	322109825/0	42	1	p. 3					
112728702/0	37	2	p. 11	322109830/0	41	1	p. 3					
112728703/0	46	2	p. 3	322110597/0	12	2	p. 13					
112728706/0	9	2	p. 7	322110598/0	33	2	p. 13					
112728721/0	10	2	p. 9	322120113/0	28	2	p. 13					
112731580/0	32	2	p. 3	322207226/0	3	1	p. 15					
112735108/1	18	3	p. 15	322226200/0	48	1	p. 3					
112735115/0	30	3	p. 3	322250014/0	4	3	p. 15					
112735662/1	7	4	p. 9	322320009/0	38	1	p. 3					
112735662/1	22	2	p. 3	322322835/0	25	1	p. 11					
112736815/0	17	1	p. 15	322393633/0	11	1	p. 7					
				322399820/0	36	1	p. 11					