



Reservdelskatalog Parts Catalogue

FRAME WEIGHTS 2X17 Kg

13-0939-61 - Season 2015

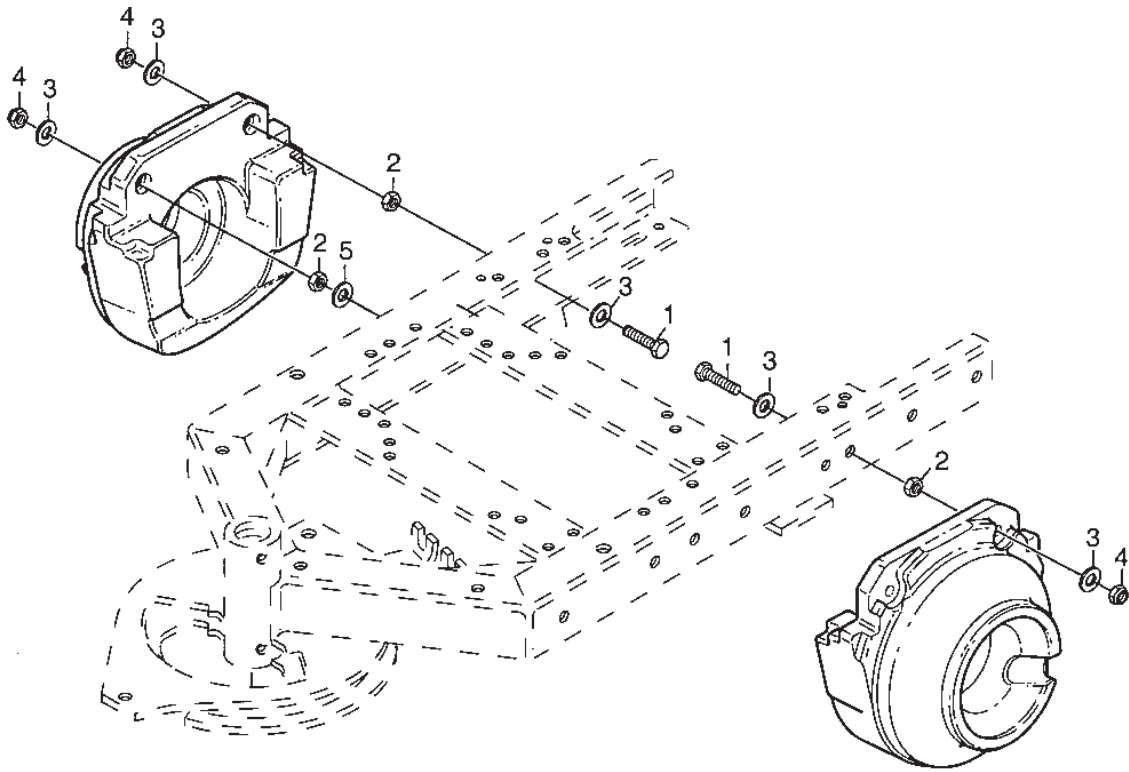
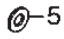
- Use GLOBAL GARDEN PRODUCT Genuine Spare Parts specified in the parts list for repair and/or replacement.
 - The contents described in the parts list may change due to improvement.
 - The drawings of the spare parts are only indicative and might not represent the part in question exactly.
 - The indications "right" - "left" - "front" - "rear" refer to the position of the operator when using the machine.
- When placing orders of parts for repair and/or replacement, make sure that the illustrated parts list is the one applying to the machine's year of manufacture, as shown on the identification plate attached to the machine.

© Copyright 2015 Global Garden Products

All rights reserved. No part of this material may be reproduced or transmitted, in any form or by any means, electronic or mechanical, including photocopying, recording or by any information storage and retrieval system, without permission in writing from GLOBAL GARDEN PRODUCTS.

www.stiga.com

Park Compact 4WD
13-6104-xx



Utgåva Issue 17 - 2015		Hjulvikter Wheel weights			
Pos. Fig.	Antal Q.ty	Art nr Part No	Benämning	Description	Anmärkning Notes
1	4	9997-0835-16	Skruv	Screw	Helgängad
2	4	9799-0831-02	Mutter	Nut	
3	8	9699-0028-02	Bricka	Washer	8,4 x 16 x 1,5
4	4	9747-0831-02	Mutter	Nut	
5	1	9699-0078-02	Bricka	Washer	8,4 x 20 x 3,0

code	pos.	q.ty	page
9699-0028-02	3	8	p. 3
9699-0078-02	5	1	p. 3
9747-0831-02	4	4	p. 3
9799-0831-02	2	4	p. 3
9997-0835-16	1	4	p. 3