



Reservdelskatalog Parts Catalogue

LAWN RAKE Electric - Park 2+4WD

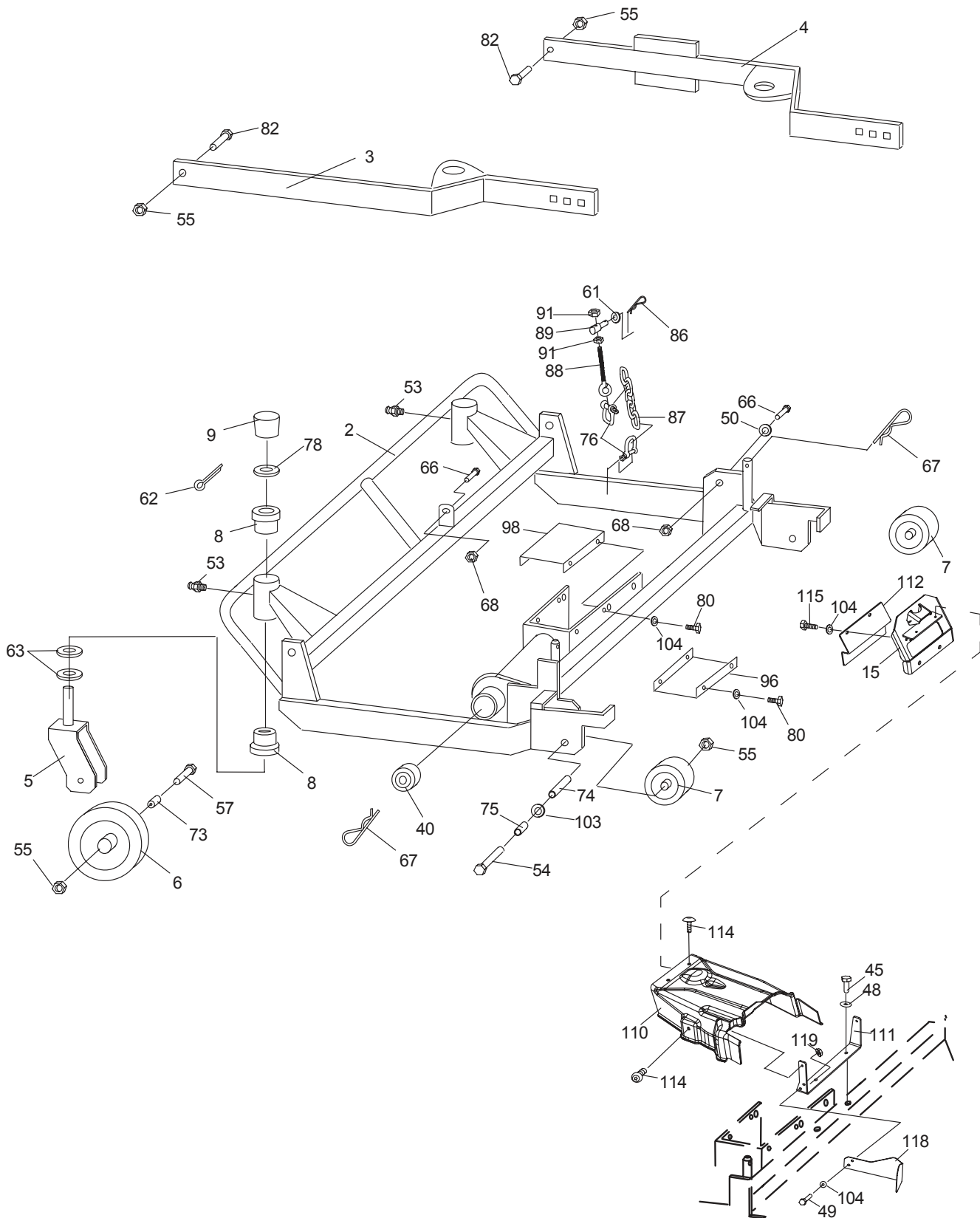
13-3902-11 - Season 2016

- Use GLOBAL GARDEN PRODUCT Genuine Spare Parts specified in the parts list for repair and/or replacement.
 - The contents described in the parts list may change due to improvement.
 - The drawings of the spare parts are only indicative and might not represent the part in question exactly.
 - The indications "right" - "left" - "front" - "rear" refer to the position of the operator when using the machine.
- When placing orders of parts for repair and/or replacement, make sure that the illustrated parts list is the one applying to the machine's year of manufacture, as shown on the identification plate attached to the machine.

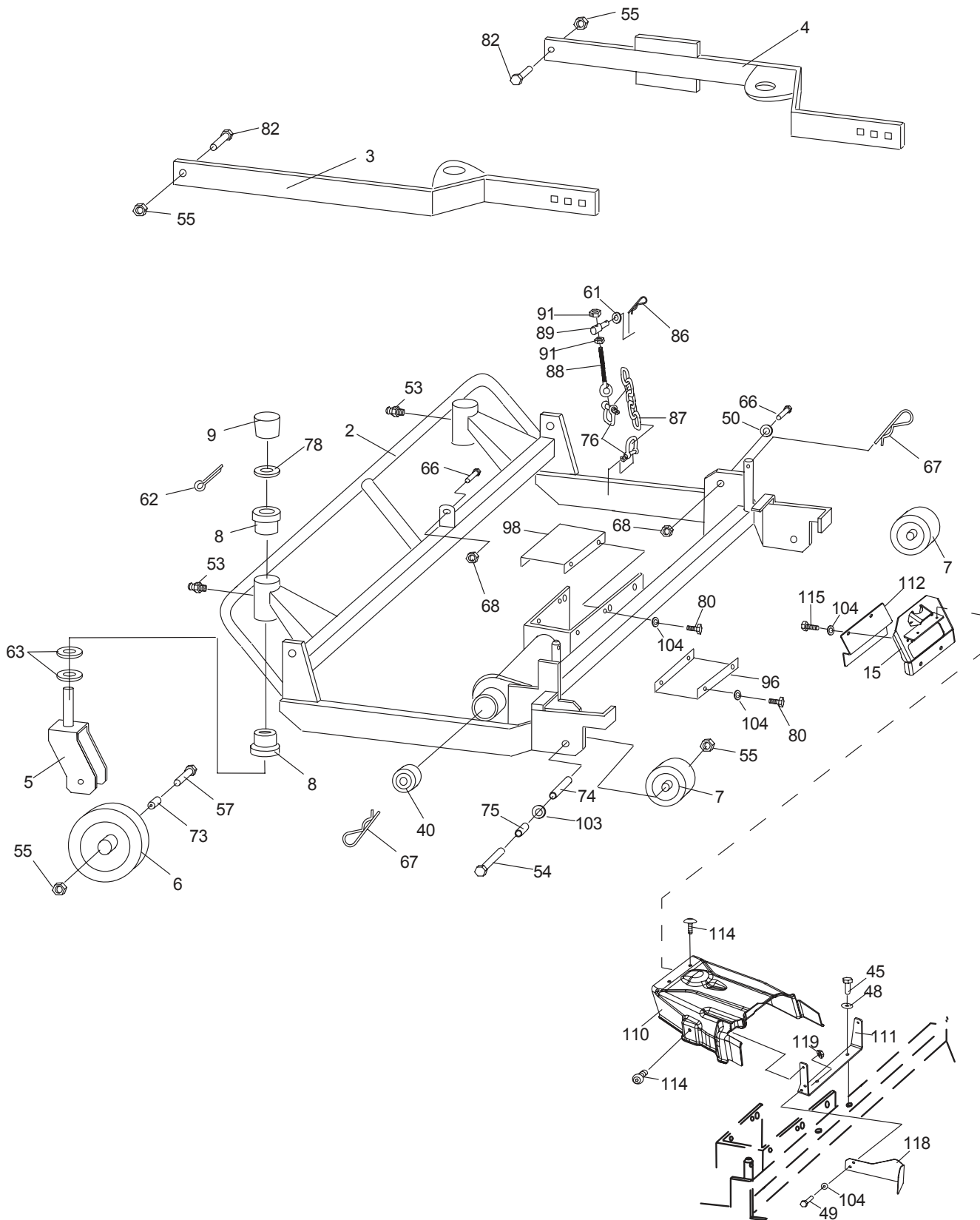
© Copyright 2016 Global Garden Products

All rights reserved. No part of this material may be reproduced or transmitted, in any form or by any means, electronic or mechanical, including photocopying, recording or by any information storage and retrieval system, without permission in writing from GLOBAL GARDEN PRODUCTS.

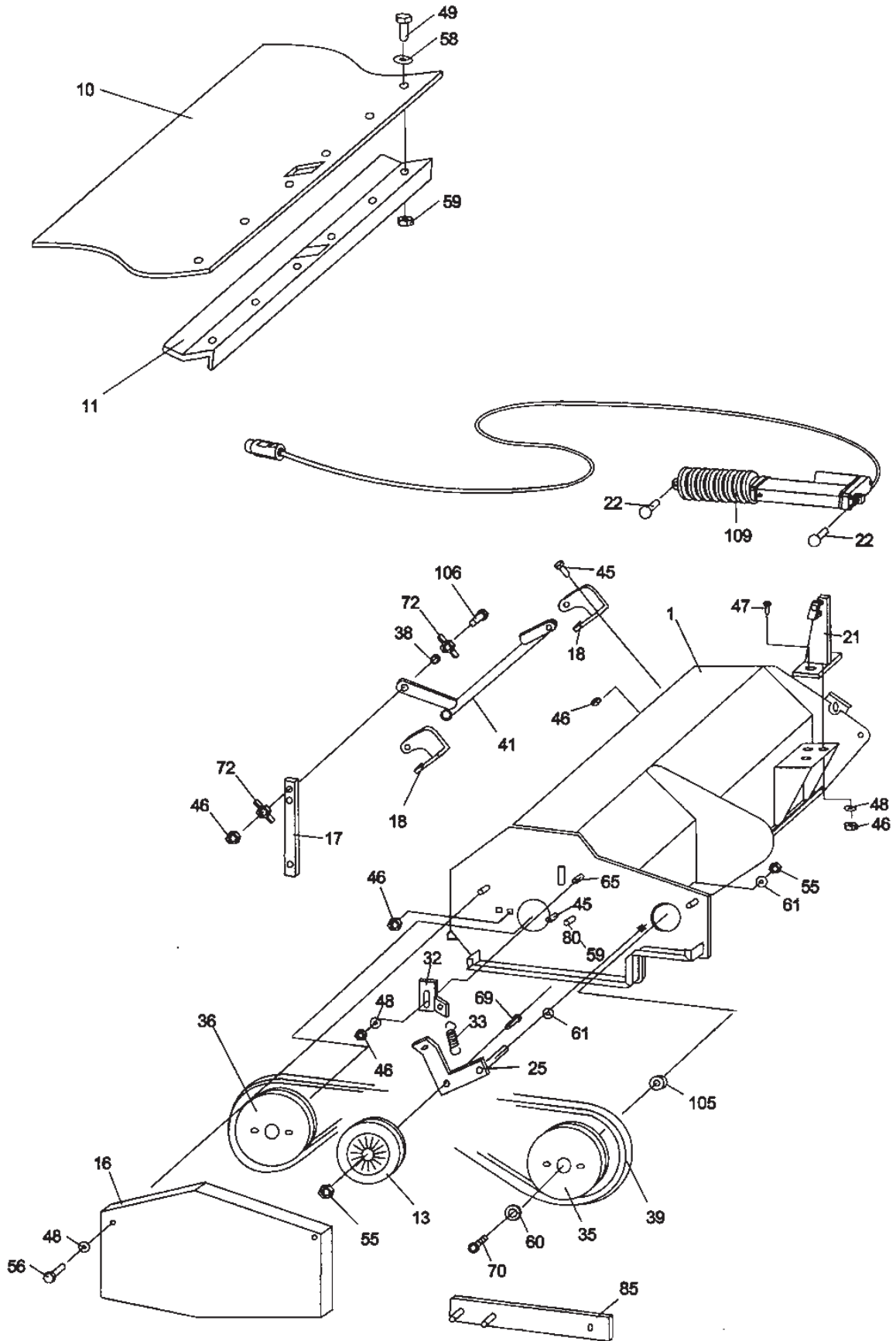
www.stiga.com



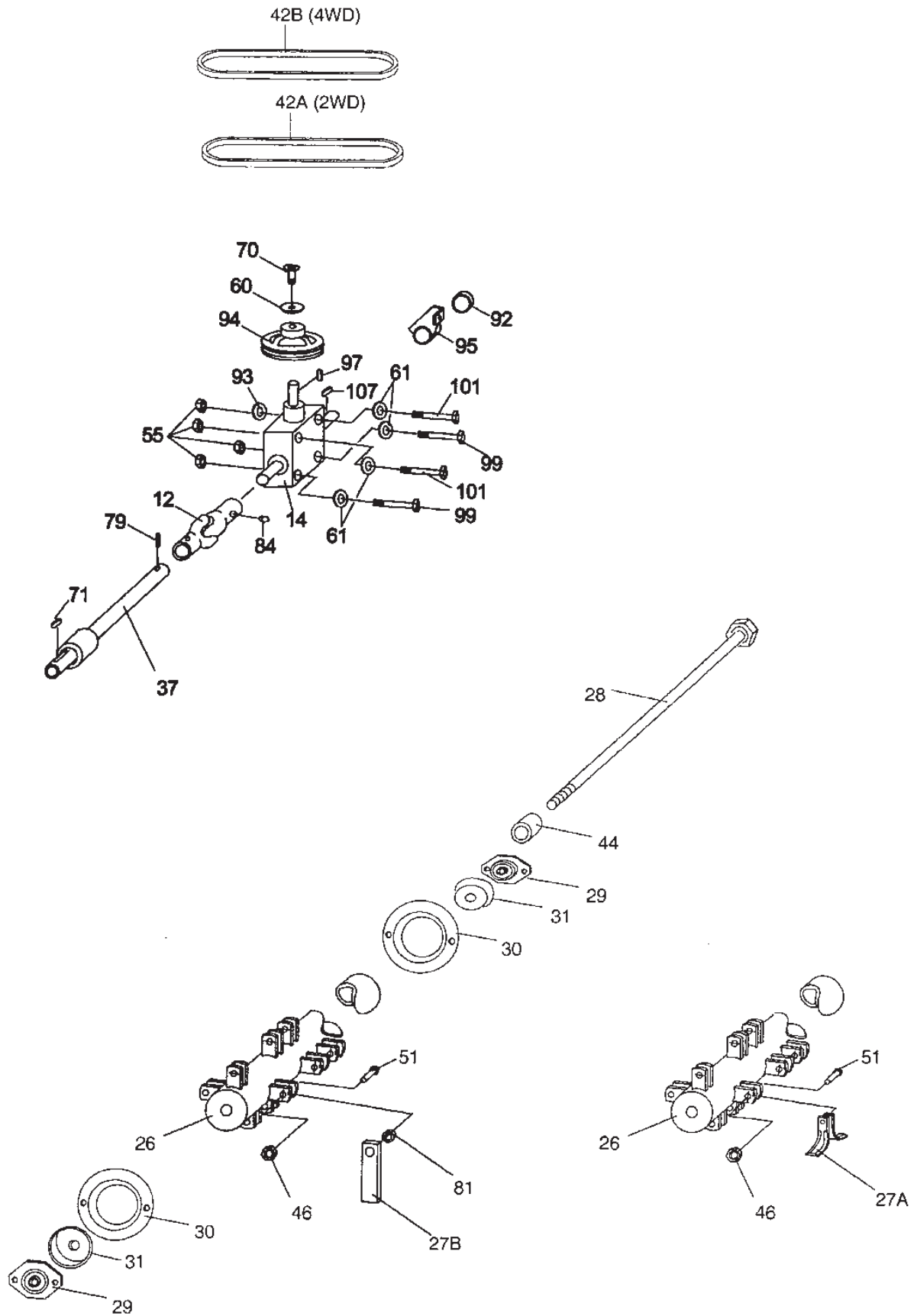
Utgåva Issue 45 - 2015		Mossrivare		Lawn rake	
Pos. Fig.	Antal Q.ty	Art nr Part No	Benämning	Description	Anmärkning Notes
2	1	1319-1863-01	Ram	Frame	
3	1	1319-1867-01	Fäststag-Vä	Side Plate-Lh	
4	1	1319-1868-01	Fäststag-Hö	Side Plate-Rh	
5	2	1319-1708-01	Hjulbygel	Wheel Fork	
6	2	1134-3520-01	Stödhjul	Support Wheel	
7	2	1134-0305-00	Stödhjul	Casing Wheel	
8	1	1134-9024-01	Lager (4 St)	Bearing	
9	2	1319-1709-01	Skyddshatt	Dust Cap	
15	1	1319-1866-02	Lyftpunkt	Lifting Point	
34	1	1111-1842-01	Fjäder	Spring	
40	1	9549-0027-00	Kullager	Ball Bearing	
45	1	9997-0816-16	Skruv	Screw	
48	8	9699-0028-02	Bricka	Washer	
49	1	112791200/0	Skruv	Screw	
50	1	9699-0037-02	Bricka	Washer	
52	2	9997-1035-16	Skruv	Screw	
53	2	9501-0500-00	Smörjkopp Kort Rak	Grease Dispenser	
54	2	9997-1090-12	Skruv	Screw	
55	6	9747-1031-02	Mutter	Nut	
57	2	9997-1080-12	Skruv	Screw	
61	1	9699-0035-02	Bricka	Washer	
62	2	9599-0085-02	SaxSprint 4X30 Fz	Split Pin	
63	4	9699-0042-02	Bricka	Washer	
64	2	9739-1031-22	Mutter	Nut	
66	2	1134-0240-00	Skruv	Screw	
67	2	9598-0003-02	Spring Pin	Spring Pin	
68	2	112293201/0	Mutter	Nut	
73	2	1319-1735-01	Distans	Collar	
74	2	1319-1870-01	Hylsa	Collar	
75	2	1319-1871-01	Stödrör	Support Tube	
76	2	1134-2629-01	Schackel	Lift Link	
78	2	9699-0042-02	Bricka	Washer	
80	8	9997-0612-16	Skruv	Screw	
82	2	9997-1025-16	Skruv	Screw	
86	1	1319-1692-01	Lasnal	Spring Pin	
87	1	1319-1873-01	Kedja	Chain	
88	1	9405-0031-00	Skruvögla M8 X 80 Fz	Eye-Bolt	
89	1	1134-0576-00	Kill	Key	
91	2	9799-0831-02	Mutter	Nut	
96	1	1319-1869-01	Platta	Drive Shaft Plate	
98	1	1319-1859-01	Platta	Drive Shaft Plate	
103	2	9699-0104-02	Bricka	Washer	
104	7	112521330/0	Bricka	Washer	
107	1	1319-1903-01	Kill I Kil	Key	
109	1	1134-6912-01	Electric Actuator Ställdon	Electric Actuator	
110	1	337060010/0	Remskydd	Belt Guard	
111	1	118890001/0	Mounting	Mounting	
112	2	118890002/0	Skydd	Guard	
113	1	1319-2017-01	Grip Handtag	Grip Hand Grip	



Utgåva Issue 45 - 2015		Mossrivare Lawn rake			
Pos. Fig.	Antal Q.ty	Art nr Part No	Benämning	Description	Anmärkning Notes
114	4	9893-0616-16	Skruv	Screw	
115	2	9959-0612-16	Skruv	Screw	
118	1	118890003/0	Remskydd	Belt Guard	
119	2	112292102/0	Mutter	Nut	



Utgåva Issue 45 - 2015		Chassie		Chassis	
Pos. Fig.	Antal Q.ty	Art nr Part No	Benämning	Description	Anmärkning Notes
1	1	1319-1904-01	Ram	Frame	
10	1	1319-1710-01	Gummiskydd	Rubber Guard	
11	1	1319-1711-01	Fäste	Rubber Guard Holder	
13	1	1319-1874-01	Spännrulle	Tension Roller	
16	1	1319-1905-01	Remskydd	Belt Guard	
17	1	1319-1974-01	Lyftlänk	Lift Rod	
18	2	1319-1715-01	Axelfäste-Vä	Side Plate-Left	
21	1	1319-1972-01	Fäste	Bracket	
22	2	9646-0098-22	Nit Kn 8X32	Rivet	
25	1	1319-1719-01	Spännarm	Tension Arm	
32	1	1319-1872-01	Spännare	Tightener	
33	1	122450436/0	Fjäder	Spring	
35	1	1319-1857-01	Remskiva	Belt Pulley	
36	1	1319-1727-01	Remskiva	Belt Pulley	
38	1	1319-1504-01	Distans	Collar	
39	1	1134-9078-01	Drivrem	Drive Belt	= 9585-0138-01
41	1	1319-1973-01	Lyftstang	Lift Rod	
45	4	9997-0816-16	Skruv	Screw	
46	7	9747-0831-02	Mutter	Nut	
47	3	9997-0820-16	Skruv	Screw	
48	6	9699-0028-02	Bricka	Washer	
49	6	9997-0616-16	Skruv	Screw	
55	8	9747-1031-02	Mutter	Nut	
56	2	9997-0812-16	Skruv	Screw	
58	6	9699-0085-02	Bricka	Washer	
59	10	9747-0631-02	Mutter	Nut	
60	2	1319-1879-01	Bricka	Washer	
61	2	9699-0035-02	Bricka	Washer	
65	1	9898-0816-16	Skruv	Screw	
69	1	1319-1886-01	Skruv	Screw	
70	2	1319-1883-01	Skruv	Screw	
72	2	322399807/0	Lasratt	Knob	
80	3	9997-0612-16	Skruv	Screw	
85	1	1319-1775-01	Nyckel	Pin Wrench	
105	1	1319-1887-01	Distans	Collar	
106	1	9997-0830-16	Skruv	Screw	
109	1	1134-6912-01	Electric Actuator Ställdon	Electric Actuator	



Utgåva Issue 45 - 2015		Mossrivare Lawn rake			
Pos. Fig.	Antal Q.ty	Art nr Part No	Benämning	Description	Anmärkning Notes
12	1	1319-1854-01	LedkMutter	Universal Joint	
14	1	1319-1856-01	Vinkelväxel	Angle Gearbox	
26	1	1319-1720-01	Rotoraxel	Rotor Shaft	
27	1	1319-1772-01	Sats Slagor (Slaghack)	Tine Kit (Flail Mower)	Inkl pos 27A,46,51
27	104	1319-1721-01	Slaga-Slaghack Park	Tine-Flail Mower	
28	1	1319-1722-01	Skruv	Screw	
29	2	1319-1628-01	Lager	Bearing	
30	2	1319-1766-01	Skyddsplatta	Guard Plate	
31	2	1319-1767-01	Skydd	Guard	
37	1	1319-1862-01	Drivaxel	Drive Shaft	
42	1	1134-9095-01	Drivrem	Drive Belt	= 9585-0145-01 / 2WD
42	1	1134-9096-01	Drivrem	Drive Belt	= 9585-0149-01 / 4WD
44	1	1319-1732-01	Distans	Collar	
46	52	9747-0831-02	Mutter	Nut	
51	52	9997-0825-16	Skruv	Screw	
55	4	9747-1031-02	Mutter	Nut	
60	1	1319-1879-01	Bricka	Washer	
61	4	9699-0035-02	Bricka	Washer	
70	1	1319-1883-01	Skruv	Screw	
71	1	1319-1525-01	Kil	Key	
79	1	1319-1881-01	Fjäderpinne	Spring Pin	
81	52	1319-1701-01	Distans Stal	Collar Steel	
84	1	1319-1880-01	Skruv	Screw	
92	1	1319-1860-01	Dammskydd	Dust Cap	
93	1	1319-1885-01	Bricka	Washer	
94	1	1319-1855-01	Remskiva	Belt Pulley	
95	1	1319-1864-01	Axelskydd	Shaft Guard	
97	1	1319-1884-01	Kil	Key	
99	2	9997-1012-02	Skruv	Screw	L = 120 mm
101	2	1319-1882-01	Skruv	Screw	L = 130 mm
107	1	1319-1903-01	Kill Kil	Key	

code	pos.	q.ty	page				
1111-1842-01	34	1	p. 3	1319-1972-01	21	1	p. 7
1134-0240-00	66	2	p. 3	1319-1973-01	41	1	p. 7
1134-0305-00	7	2	p. 3	1319-1974-01	17	1	p. 7
1134-0576-00	89	1	p. 3	1319-2017-01	113	1	p. 3
1134-2629-01	76	2	p. 3	9405-0031-00	88	1	p. 3
1134-3520-01	6	2	p. 3	9501-0500-00	53	2	p. 3
1134-6912-01	109	1	p. 3	9549-0027-00	40	1	p. 3
1134-6912-01	109	1	p. 7	9598-0003-02	67	2	p. 3
1134-9024-01	8	1	p. 3	9599-0085-02	62	2	p. 3
1134-9078-01	39	1	p. 7	9646-0098-22	22	2	p. 7
1134-9095-01	42	1	p. 9	9699-0028-02	48	6	p. 7
1134-9096-01	42	1	p. 9	9699-0028-02	48	8	p. 3
1319-1504-01	38	1	p. 7	9699-0035-02	61	1	p. 3
1319-1525-01	71	1	p. 9	9699-0035-02	61	2	p. 7
1319-1628-01	29	2	p. 9	9699-0035-02	61	4	p. 9
1319-1692-01	86	1	p. 3	9699-0037-02	50	1	p. 3
1319-1701-01	81	52	p. 9	9699-0042-02	63	4	p. 3
1319-1708-01	5	2	p. 3	9699-0042-02	78	2	p. 3
1319-1709-01	9	2	p. 3	9699-0085-02	58	6	p. 7
1319-1710-01	10	1	p. 7	9699-0104-02	103	2	p. 3
1319-1711-01	11	1	p. 7	9739-1031-22	64	2	p. 3
1319-1715-01	18	2	p. 7	9747-0631-02	59	10	p. 7
1319-1719-01	25	1	p. 7	9747-0831-02	46	7	p. 7
1319-1720-01	26	1	p. 9	9747-0831-02	46	52	p. 9
1319-1721-01	27	104	p. 9	9747-1031-02	55	4	p. 9
1319-1722-01	28	1	p. 9	9747-1031-02	55	6	p. 3
1319-1727-01	36	1	p. 7	9747-1031-02	55	8	p. 7
1319-1732-01	44	1	p. 9	9799-0831-02	91	2	p. 3
1319-1735-01	73	2	p. 3	9893-0616-16	114	4	p. 5
1319-1766-01	30	2	p. 9	9898-0816-16	65	1	p. 7
1319-1767-01	31	2	p. 9	9959-0612-16	115	2	p. 5
1319-1772-01	27	1	p. 9	9997-0612-16	80	3	p. 7
1319-1775-01	85	1	p. 7	9997-0612-16	80	8	p. 3
1319-1854-01	12	1	p. 9	9997-0616-16	49	6	p. 7
1319-1855-01	94	1	p. 9	9997-0812-16	56	2	p. 7
1319-1856-01	14	1	p. 9	9997-0816-16	45	1	p. 3
1319-1857-01	35	1	p. 7	9997-0816-16	45	4	p. 7
1319-1859-01	98	1	p. 3	9997-0820-16	47	3	p. 7
1319-1860-01	92	1	p. 9	9997-0825-16	51	52	p. 9
1319-1862-01	37	1	p. 9	9997-0830-16	106	1	p. 7
1319-1863-01	2	1	p. 3	9997-1012-02	99	2	p. 9
1319-1864-01	95	1	p. 9	9997-1025-16	82	2	p. 3
1319-1866-02	15	1	p. 3	9997-1035-16	52	2	p. 3
1319-1867-01	3	1	p. 3	9997-1080-12	57	2	p. 3
1319-1868-01	4	1	p. 3	9997-1090-12	54	2	p. 3
1319-1869-01	96	1	p. 3	112292102/0	119	2	p. 5
1319-1870-01	74	2	p. 3	112293201/0	68	2	p. 3
1319-1871-01	75	2	p. 3	112521330/0	104	7	p. 3
1319-1872-01	32	1	p. 7	112791200/0	49	1	p. 3
1319-1873-01	87	1	p. 3	118890001/0	111	1	p. 3
1319-1874-01	13	1	p. 7	118890002/0	112	2	p. 3
1319-1879-01	60	1	p. 9	118890003/0	118	1	p. 5
1319-1879-01	60	2	p. 7	122450436/0	33	1	p. 7
1319-1880-01	84	1	p. 9	322399807/0	72	2	p. 7
1319-1881-01	79	1	p. 9	337060010/0	110	1	p. 3
1319-1882-01	101	2	p. 9				
1319-1883-01	70	1	p. 9				
1319-1883-01	70	2	p. 7				
1319-1884-01	97	1	p. 9				
1319-1885-01	93	1	p. 9				
1319-1886-01	69	1	p. 7				
1319-1887-01	105	1	p. 7				
1319-1903-01	107	1	p. 3				
1319-1903-01	107	1	p. 9				
1319-1904-01	1	1	p. 7				
1319-1905-01	16	1	p. 7				