



## **Reservdelskatalog Parts Catalogue**

# **LAWN SWEEPER 42"**

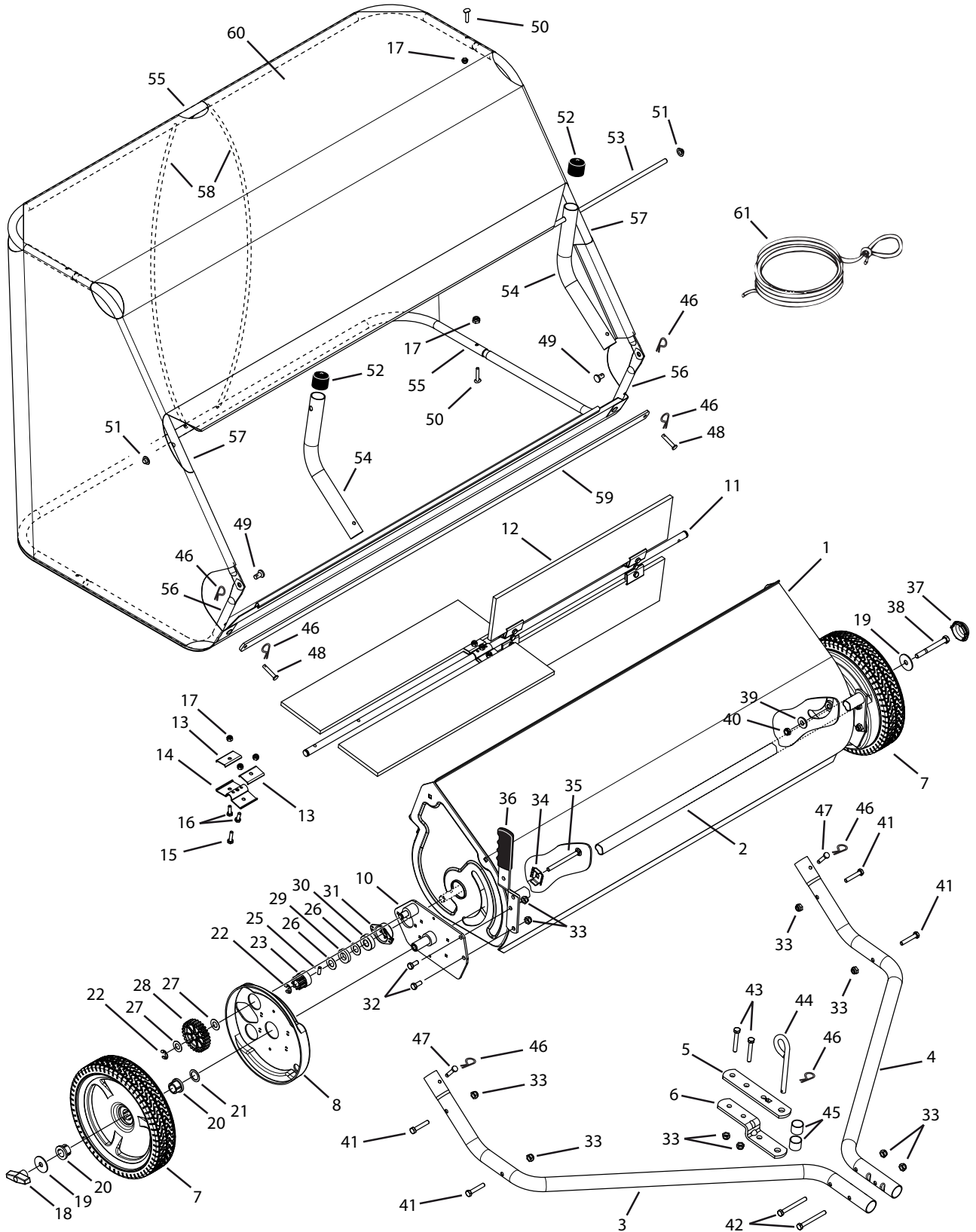
**13-3926-11 - Season 2015**

- Use GLOBAL GARDEN PRODUCT Genuine Spare Parts specified in the parts list for repair and/or replacement.
  - The contents described in the parts list may change due to improvement.
  - The drawings of the spare parts are only indicative and might not represent the part in question exactly.
  - The indications "right" - "left" - "front" - "rear" refer to the position of the operator when using the machine.
- When placing orders of parts for repair and/or replacement, make sure that the illustrated parts list is the one applying to the machine's year of manufacture, as shown on the identification plate attached to the machine.

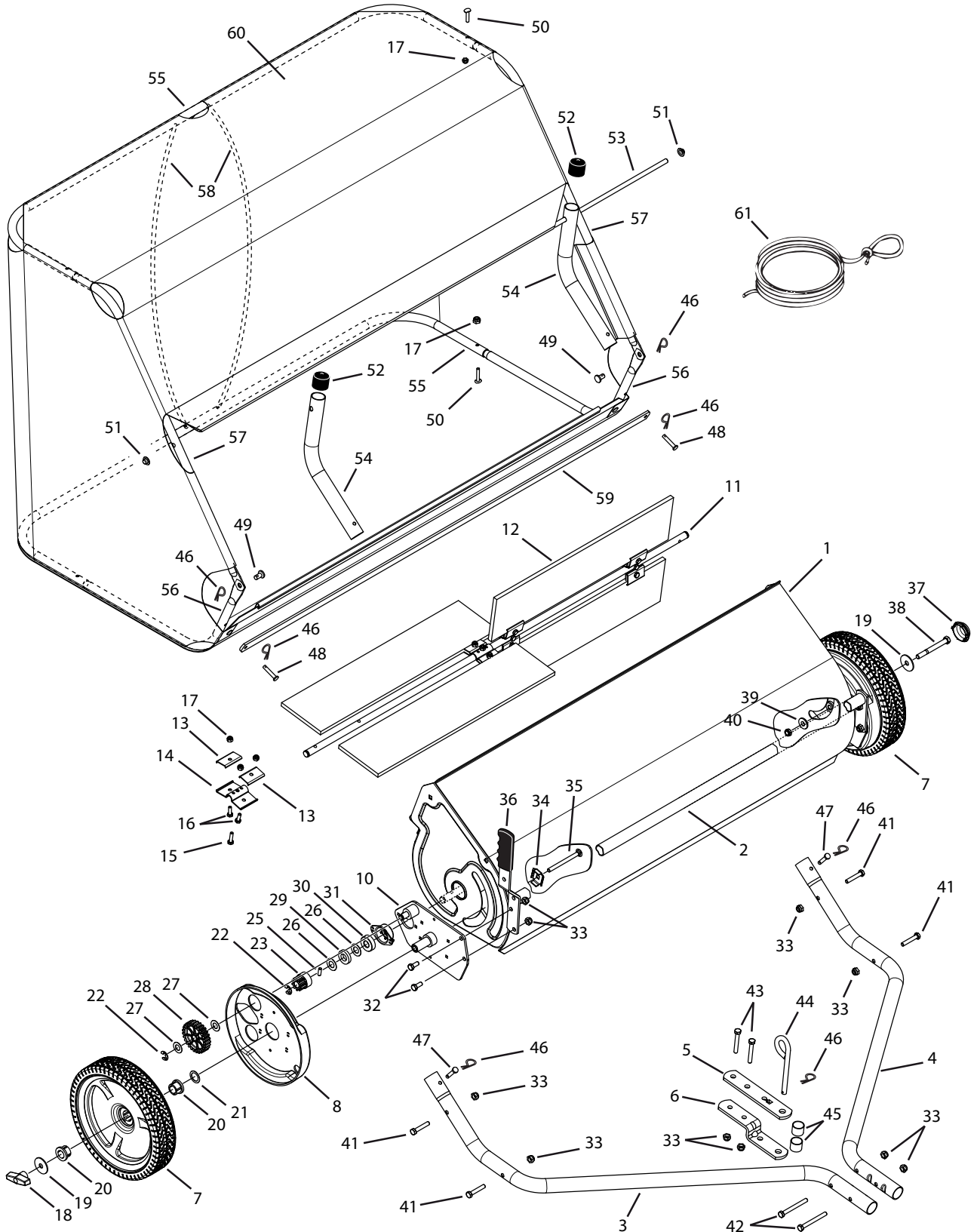
© Copyright 2015 Global Garden Products

All rights reserved. No part of this material may be reproduced or transmitted, in any form or by any means, electronic or mechanical, including photocopying, recording or by any information storage and retrieval system, without permission in writing from GLOBAL GARDEN PRODUCTS.

[www.stiga.com](http://www.stiga.com)



Utgåva Issue 17 - 2015		Gräs & lövuppsamlare		Lawn sweeper	
Pos. Fig.	Antal Q.ty	Art nr Part No	Benämning	Description	Anmärkning Notes
1	1	1319-2873-01	Housing Assy 42"	Housing Assy 42"	
2	1	1319-2843-01	Höjdinställningsrör	Height Adjustment Tube	
3	1	1319-2627-01	Dragrör Hö	Hitch Tube R.H.	
4	1	1319-2628-01	Dragrör Vä	Hitch Tube L.H.	
5	1	1319-2613-01	Dragplatta	Hitch Bracket (Straight)	
6	1	1319-2606-01	Dragvinkel	Hitch Bracket	
7	2	1319-2874-01	Hjul	Wheel	
8	2	1319-2875-01	Dammskydd	Dust Cover	
9	1	1319-2876-01	Hjul-Vä	Left Wheel	Not ill.
10	1	1319-2877-01	Hjul-Hö	Right Wheel	
11	1	1319-2878-01	Borstaxel	Brush Shaft	
12	4	1319-2630-01	Borste 42"	Brush 42	
13	8	1319-2516-01	Borsthallare, Enkel	Brush Retainer, Single	
14	4	1319-2515-01	Borsthallare, Dubbel	Brush Retainer, Double	
15	4	9988-3525-16	Skruv	Screw	
16	8	9988-3519-16	Skruv	Screw	
17	16	9743-3521-32	Mutter	Nut	
18	1	1319-2535-01	Lasratt	Wing Knob	
19	2	1319-2590-01	Bricka	Flat washer	
20	4	1319-2581-01	Hjullager	Bearing	
21	2	1319-2562-01	Bricka	Flat washer	
22	4	1319-2836-01	Lasring	Retaining Ring (E-Type)	
23	1	1319-2879-01	Drev-Ho	Right Pinion	
24	1	1319-2880-01	Drev-Va	Left pinion	
25	2	1319-2659-01	DrivSprint	Dowel Pin-Drive	
26	4	1319-2881-01	Bricka	Washer	
27	4	1319-2565-01	Bricka	Washer	
28	2	1319-2882-01	Drev	Gear Wheel	
29	2	1319-2883-01	Distans	Spacer	
30	2	1319-2618-01	Kullager	Ball Bearing	
31	2	1319-2884-01	Lagerfäste	Bearing retainer	
32	4	9988-3619-16	Skruv	Screw	
33	12	9743-3621-32	Mutter	Nut	
34	1	1319-2885-01	Skruvfäste	Bracket	
35	1	1319-2886-01	Ansatsbult	Bolt	
36	1	1319-2551-01	Handtag	Grip	
37	1	1319-2887-01	Navkapsel	Hub Cap	
38	1	1319-2545-01	Skruv	Hex Bolt	
39	1	1319-2888-01	Distans	Spacer	
40	1	9743-5221-32	Mutter	Nut	
41	4	9988-3645-16	Skruv	Screw	
42	2	9988-3676-12	Skruv	Screw	
43	2	9988-3676-12	Skruv	Screw	
44	1	1319-2507-01	DragSprint	Hitch Pin	
45	2	1319-2889-01	Distans	Spacer	
46	7	9598-0002-02	Spännstift	Elastic Pin	
47	2	1319-2663-01	Sprint	Clevis Pin	
48	2	1319-2664-01	Sprint	Clevis Pin	
49	2	1319-2665-01	Uppsamlingsäck	Hopper Bag	



Utgåva Issue 17 - 2015		Gräs & lövuppsamlare Lawn sweeper			
Pos. Fig.	Antal Q.ty	Art nr Part No	Benämning	Description	Anmärkning Notes
50	4	1319-2557-01	Bult, Kupad Skalle	Curved Head Bolt	
51	2	1319-2620-01	Snabbmutter	Nut	
52	2	1319-2619-01	Plastlock	Vinyl Cap	
53	1	1319-2632-01	Ledstang	Pivot Rod	
54	1	1319-2890-01	Rör	Tube	
55	1	1319-2728-01	Ram-Bakre	Framr Rear	
56	1	1319-2729-01	Ram-Undre, Främre	Lower Frame Front	
57	1	1319-2891-01	Ram-övre,främre	Frame-upper,front	
58	1	1319-2547-01	Korgstöd	Hopper Support Rod	
59	1	1319-2610-01	Korgramstag	Bag Frame Strap	
60	1	1319-2892-01	Uppsamlingsäck, Rep	Hopper bag, assy	
61	1	1319-2536-01		Hopper Rope	

<b>code</b>	<b>pos.</b>	<b>q.ty</b>	<b>page</b>
1319-2507-01	44	1	p. 3
1319-2515-01	14	4	p. 3
1319-2516-01	13	8	p. 3
1319-2535-01	18	1	p. 3
1319-2536-01	61	1	p. 5
1319-2545-01	38	1	p. 3
1319-2547-01	58	1	p. 5
1319-2551-01	36	1	p. 3
1319-2557-01	50	4	p. 5
1319-2562-01	21	2	p. 3
1319-2565-01	27	4	p. 3
1319-2581-01	20	4	p. 3
1319-2590-01	19	2	p. 3
1319-2606-01	6	1	p. 3
1319-2610-01	59	1	p. 5
1319-2613-01	5	1	p. 3
1319-2618-01	30	2	p. 3
1319-2619-01	52	2	p. 5
1319-2620-01	51	2	p. 5
1319-2627-01	3	1	p. 3
1319-2628-01	4	1	p. 3
1319-2630-01	12	4	p. 3
1319-2632-01	53	1	p. 5
1319-2659-01	25	2	p. 3
1319-2663-01	47	2	p. 3
1319-2664-01	48	2	p. 3
1319-2665-01	49	2	p. 3
1319-2728-01	55	1	p. 5
1319-2729-01	56	1	p. 5
1319-2836-01	22	4	p. 3
1319-2843-01	2	1	p. 3
1319-2873-01	1	1	p. 3
1319-2874-01	7	2	p. 3
1319-2875-01	8	2	p. 3
1319-2876-01	9	1	p. 3
1319-2877-01	10	1	p. 3
1319-2878-01	11	1	p. 3
1319-2879-01	23	1	p. 3
1319-2880-01	24	1	p. 3
1319-2881-01	26	4	p. 3
1319-2882-01	28	2	p. 3
1319-2883-01	29	2	p. 3
1319-2884-01	31	2	p. 3
1319-2885-01	34	1	p. 3
1319-2886-01	35	1	p. 3
1319-2887-01	37	1	p. 3
1319-2888-01	39	1	p. 3
1319-2889-01	45	2	p. 3
1319-2890-01	54	1	p. 5
1319-2891-01	57	1	p. 5
1319-2892-01	60	1	p. 5
9598-0002-02	46	7	p. 3
9743-3521-32	17	16	p. 3
9743-3621-32	33	12	p. 3
9743-5221-32	40	1	p. 3
9988-3519-16	16	8	p. 3
9988-3525-16	15	4	p. 3
9988-3619-16	32	4	p. 3
9988-3645-16	41	4	p. 3
9988-3676-12	42	2	p. 3
9988-3676-12	43	2	p. 3