



## **Reservdelskatalog Parts Catalogue**

# **MULTICLIP 47 AE**

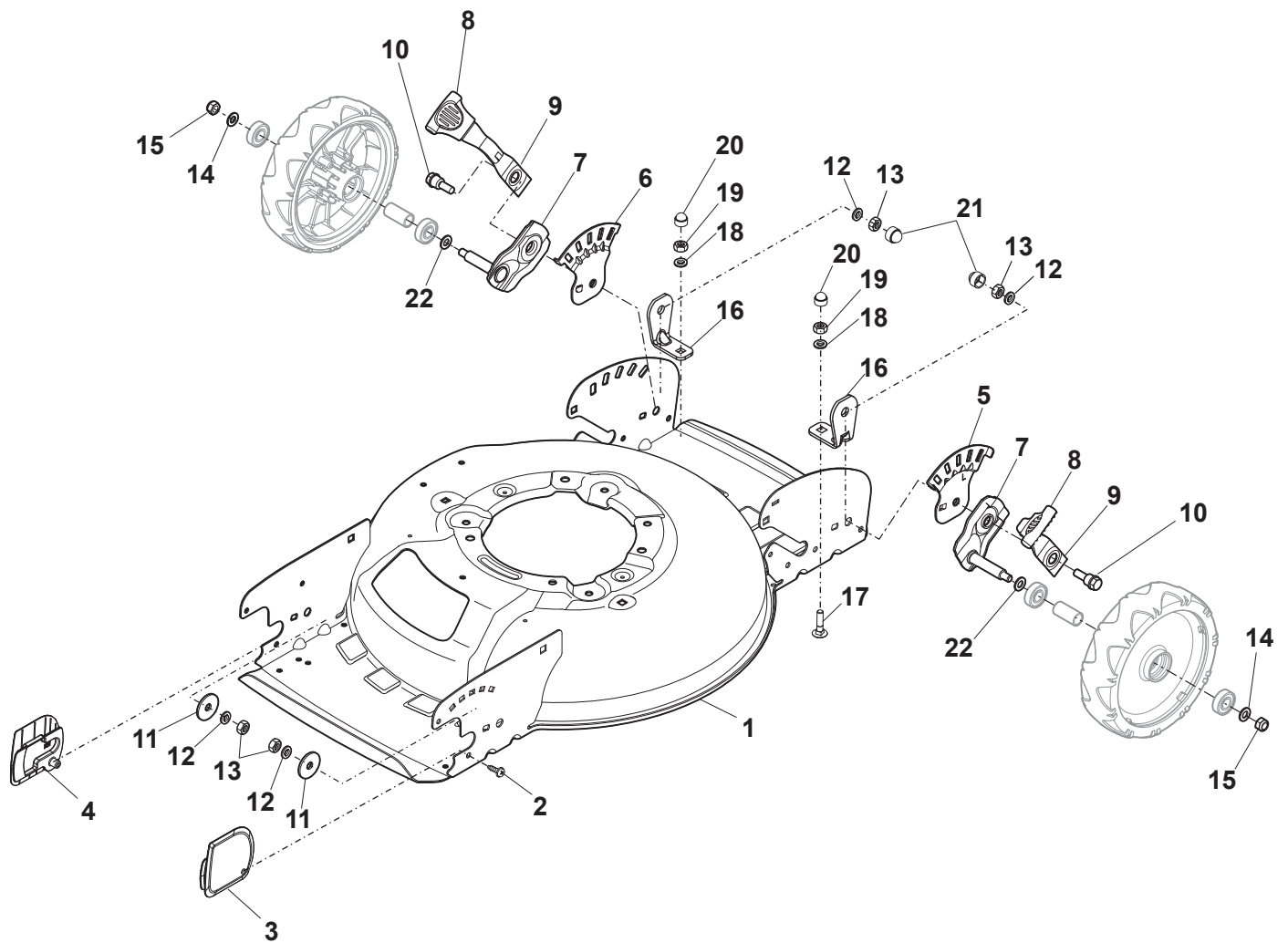
**298471008/S16 - Season 2016**

- Use GLOBAL GARDEN PRODUCT Genuine Spare Parts specified in the parts list for repair and/or replacement.
  - The contents described in the parts list may change due to improvement.
  - The drawings of the spare parts are only indicative and might not represent the part in question exactly.
  - The indications "right" - "left" - "front" - "rear" refer to the position of the operator when using the machine.
- When placing orders of parts for repair and/or replacement, make sure that the illustrated parts list is the one applying to the machine's year of manufacture, as shown on the identification plate attached to the machine.

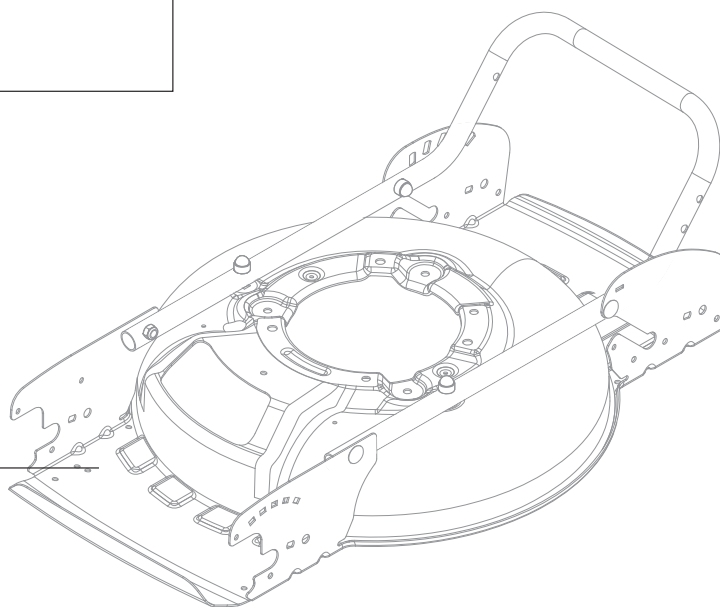
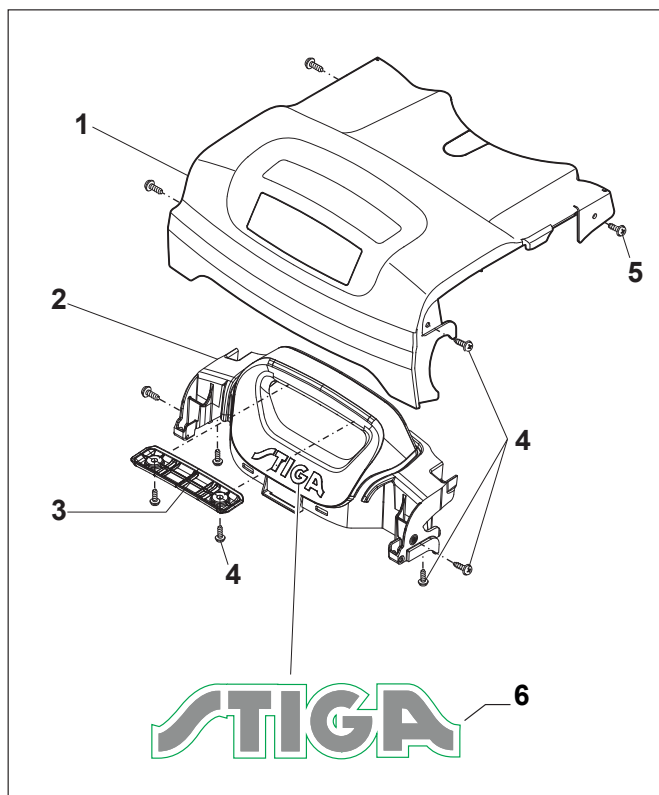
© Copyright 2016 Global Garden Products

All rights reserved. No part of this material may be reproduced or transmitted, in any form or by any means, electronic or mechanical, including photocopying, recording or by any information storage and retrieval system, without permission in writing from GLOBAL GARDEN PRODUCTS.

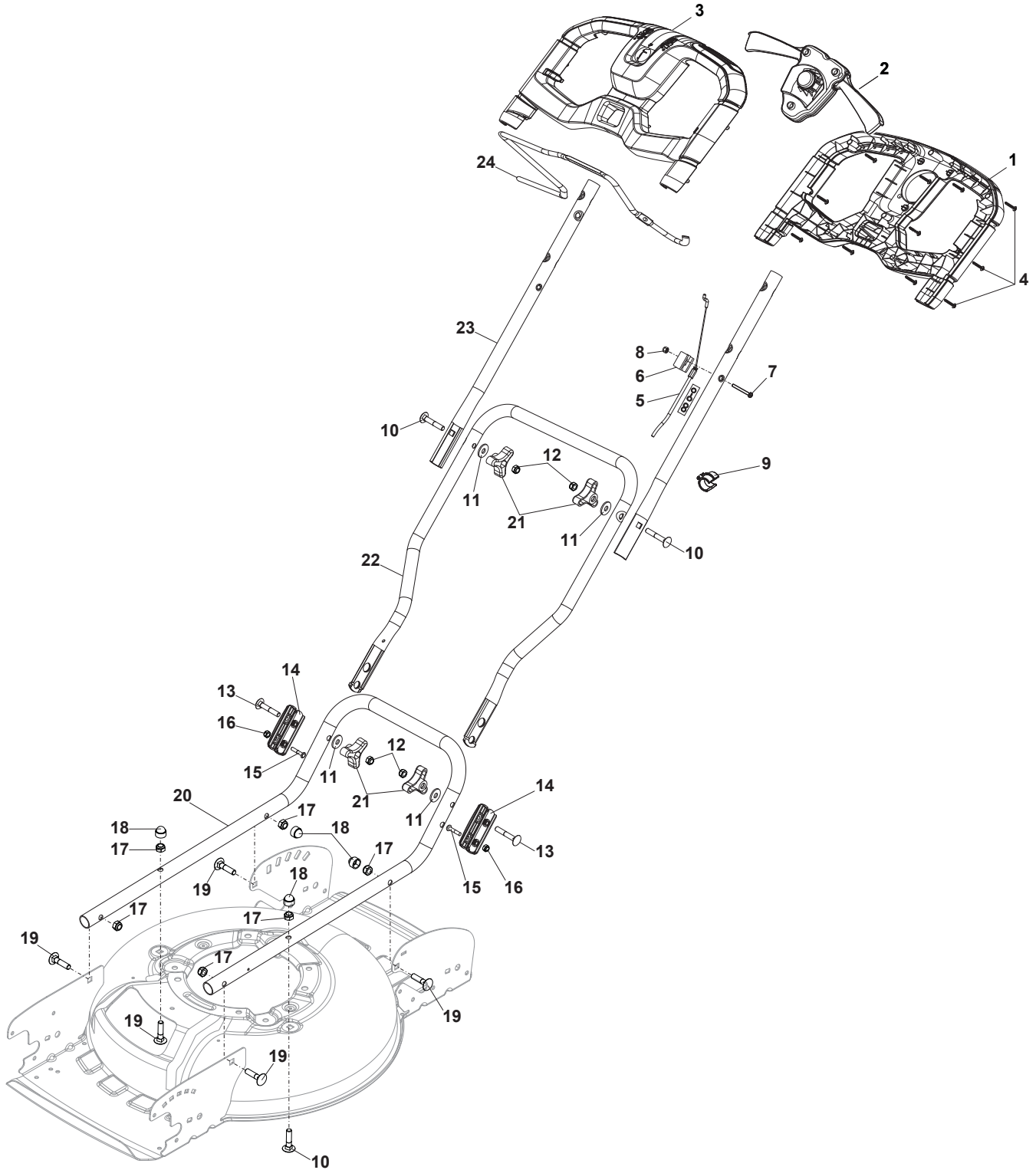
[www.stiga.com](http://www.stiga.com)



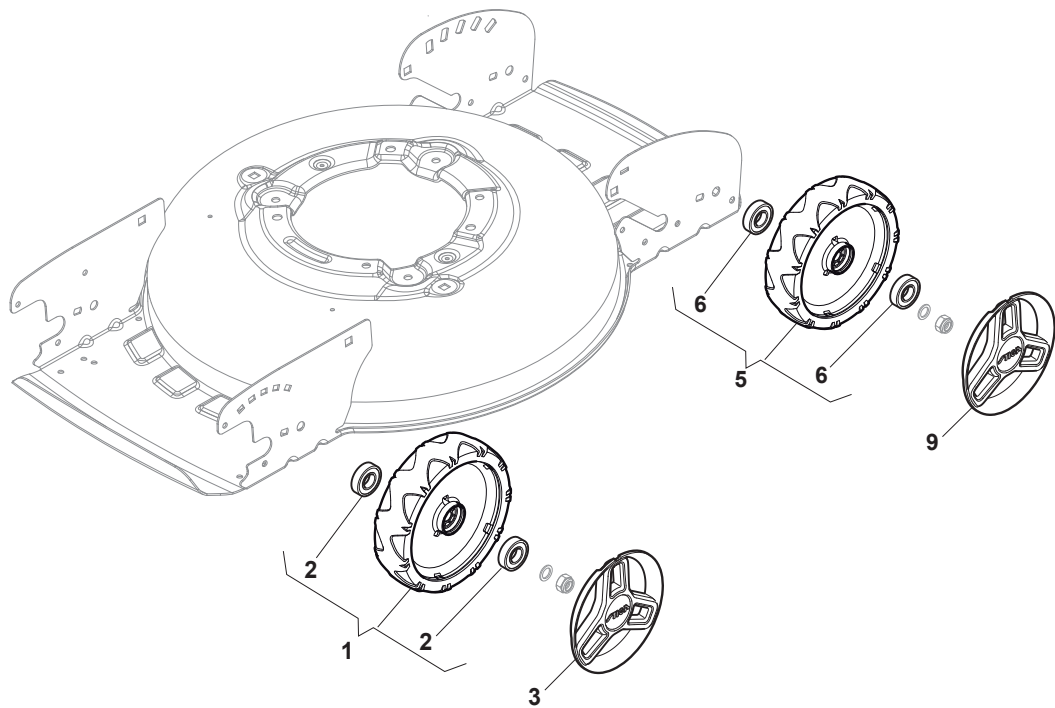
| Utgåva<br>Issue<br>2 - 2016 |               | Kapa och höjdställning<br>Deck And Height Adjusting |                               |                               |                     |
|-----------------------------|---------------|---|-------------------------------|-------------------------------|---------------------|
| Pos.<br>Fig.                | Antal<br>Q.ty | Art nr<br>Part No                                   | Benämning                     | Description                   | Anmärkning<br>Notes |
| 1                           | 1             | 381004783/1   | Chassi                        | Deck Black                    |                     |
| 22                          | 4             | 122671661/0   | Bricka                        | Washer                        |                     |
| 15                          | 4             | 112155015/0   | Mutter                        | Nut                           |                     |
| 16                          | 2             | 322608569/0   | Reinforcement   Reinforcement | Reinforcement   Reinforcement |                     |
| 17                          | 2             | 112815200/0   | Skruv                         | Screw                         |                     |
| 18                          | 2             | 112582100/0   | Lasbricka                     | Grower                        |                     |
| 19                          | 2             | 112292100/0   | Mutter                        | Nut                           |                     |
| 20                          | 2             | 118203853/0   | Lock                          | Cap                           |                     |
| 21                          | 2             | 118203854/0   | Lock                          | Cap                           |                     |
| 2                           | 2             | 112728697/0   | Skruv                         | Screw                         |                     |
| 3                           | 1             | 322109912/0   | Sidoskydd                     | Left Side Cover               |                     |
| 4                           | 1             | 322109913/0   | Sidoskydd                     | Right Side Cover              |                     |
| 5                           | 2             | 322735597/1   | Höjjustering sektor           | Sector, Height Adjustment     |                     |
| 6                           | 2             | 322735595/1   | Höjjustering sektor           | Sector, Height Adjustment     |                     |
| 7                           | 4             | 381005143/0   | Hjulfäste                     | Wheel Support                 |                     |
| 8                           | 4             | 322321537/0   | Höjdställningsspak            | Lever, Height Adjustment      |                     |
| 9                           | 4             | 122394501/0   | Handtagsknopp                 | Knob                          |                     |
| 10                          | 4             | 122519811/0   | Stift                         | Pin                           |                     |
| 11                          | 4             | 112523070/0   | Bricka                        | Washer                        |                     |
| 12                          | 4             | 112583500/0   | Lasbricka                     | Grower                        |                     |
| 13                          | 4             | 112293200/0   | Mutter                        | Nut                           |                     |
| 14                          | 4             | 112521350/0   | Bricka                        | Washer                        |                     |



| Utgåva<br>Issue<br>2 - 2016 |               | Mask<br>Mask, Frontal Basic Version |                          |                    |                     |
|-----------------------------|---------------|-------------------------------------|--------------------------|--------------------|---------------------|
| Pos.<br>Fig.                | Antal<br>Q.ty | Art nr<br>Part No                   | Benämning                | Description        | Anmärkning<br>Notes |
| 6                           | 1             | 114367494/2                         | Dekal STIGA logo         | Label STIGA logo   |                     |
| 1                           | 1             | 381390126/0                         | Handtag                  | Frontal Assy       |                     |
| 2                           | 1             | 322393739/0                         | Handtag                  | Handle             |                     |
| 3                           | 1             | 322393659/0                         | Handtag, nedresKapa, gul | Handle, Lower Part |                     |
| 4                           | 8             | 112728697/0                         | Skruv                    | Screw              |                     |
| 5                           | 2             | 112728124/0                         | Skruv                    | Screw              |                     |

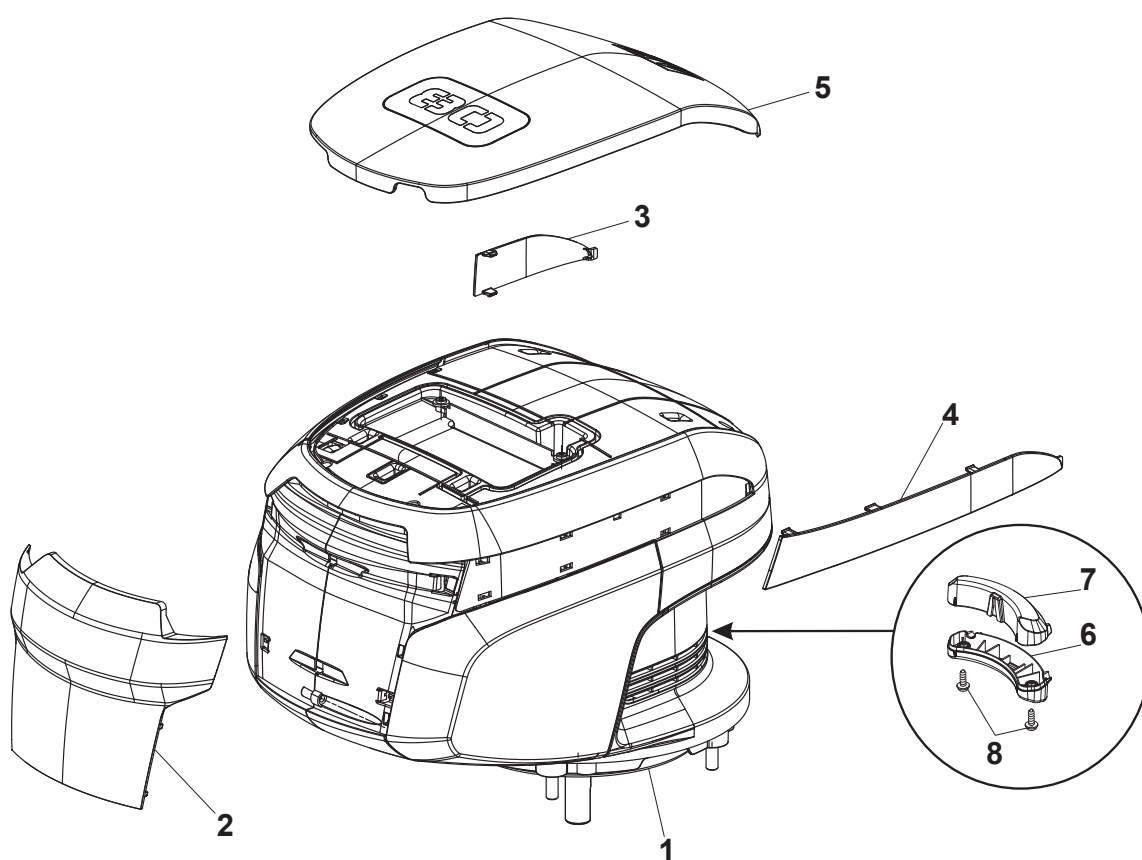


| Utgåva<br>Issue<br>2 - 2016 |               | Reglage           |                             | Handle                     |                     |
|-----------------------------|---------------|-------------------|-----------------------------|----------------------------|---------------------|
| Pos.<br>Fig.                | Antal<br>Q.ty | Art nr<br>Part No | Benämning                   | Description                | Anmärkning<br>Notes |
| 1                           | 1             | 322291075/0       | Handtagshalva, övre brytare | Upper Half Handgrip Switch |                     |
| 2                           | 1             | 381600557/0       | Manöverdosa                 | Dead Hand Switch           |                     |
| 3                           | 1             | 322291074/0       | Handtagshalva, övre brytare | Upper Half Handgrip Switch |                     |
| 4                           | 11            | 112728711/0       | Skruv                       | Screw                      |                     |
| 5                           | 1             | 381030103/1       | Kopplingswire               | Cable Rear Drive           |                     |
| 6                           | 1             | 322551640/0       | Plat                        | Plate                      |                     |
| 7                           | 1             | 112727783/0       | Skruv                       | Screw                      |                     |
| 8                           | 1             | 112154510/0       | Mutter                      | Nut                        |                     |
| 9                           | 2             | 122192000/1       | Kabelhallare                | Clamp                      |                     |
| 10                          | 2             | 112819121/0       | Skruv                       | Screw                      |                     |
| 11                          | 4             | 122671651/0       | Bricka                      | Washer                     |                     |
| 12                          | 2             | 112293200/0       | Mutter                      | Nut                        |                     |
| 13                          | 2             | 112819202/0       | Skruv                       | Screw                      |                     |
| 14                          | 2             | 322551578/0       | Plat                        | Plate                      |                     |
| 15                          | 2             | 112760475/0       | Skruv                       | Screw                      |                     |
| 16                          | 2             | 112154330/0       | Mutter                      | Nut                        |                     |
| 17                          | 6             | 112155000/0       | Mutter                      | Nut                        |                     |
| 18                          | 4             | 118203854/0       | Lock                        | Cap                        |                     |
| 19                          | 6             | 112818900/0       | Skruv                       | Screw                      |                     |
| 20                          | 1             | 381007556/0       | Reglage, nedre Gul          | Handle, Lower Part Yellow  |                     |
| 21                          | 4             | 122399900/0       | Knopp                       | Knob                       |                     |
| 22                          | 1             | 381007575/0       | Styre-mellandel             | Handle-middle part         |                     |
| 23                          | 2             | 381007576/0       | Handtag, övre               | Handle, Upper Part         |                     |
| 24                          | 1             | 181003439/0       | Spak Handtag                | Drive Control Lever        |                     |

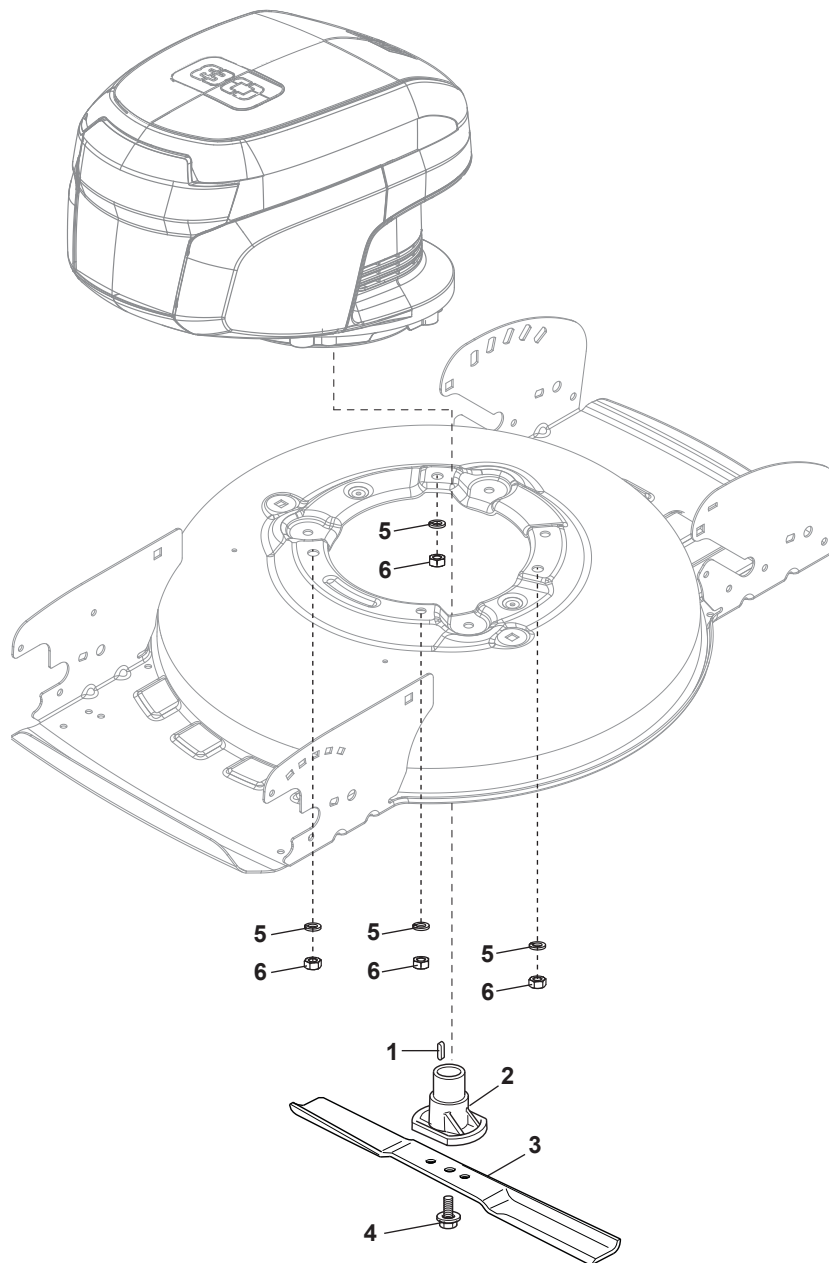




| Utgåva<br>Issue<br>2 - 2016 |               | Hjul och navkapsel<br>Wheels and Hub Caps |               |              |                     |
|-----------------------------|---------------|---|---------------|--------------|---------------------|
| Pos.<br>Fig.                | Antal<br>Q.ty | Art nr<br>Part No                         | Benämning     | Description  | Anmärkning<br>Notes |
| 1                           | 2             | 381007450/1                               | Hjul          | Wheel        |                     |
| 2                           | 4             | 119216035/0                               | Lager         | Bearing      |                     |
| 3                           | 2             | 322110744/0                               | Navkapsel Gra | Hub Cap Grey |                     |
| 5                           | 2             | 381007450/1                               | Hjul          | Wheel        |                     |
| 6                           | 4             | 119216035/0                               | Lager         | Bearing      |                     |
| 9                           | 2             | 322110744/0                               | Navkapsel Gra | Hub Cap Grey |                     |



| Utgåva<br>Issue<br>2 - 2016 |               | Batteripack<br>Battery |  |  |                     |
|-----------------------------|---------------|------------------------|--|--|---------------------|
| Pos.<br>Fig.                | Antal<br>Q.ty | Art nr<br>Part No      | Benämning                              | Description                            | Anmärkning<br>Notes |
| 1                           | 1             | 381270001/0            | Engine Battey Group PowerHead<br>Stiga | Engine Battey Group PowerHead<br>Stiga |                     |
| 2                           | 1             | 322109957/0            | Fram Skal                              | Front Cover                            |                     |
| 3                           | 1             | 322109958/0            | Kåpa                                   | Right Side Cover                       |                     |
| 4                           | 1             | 322109959/0            | Sidoskydd                              | Left Side Cover                        |                     |
| 5                           | 1             | 322109969/0A           | Upper Cover                            | Upper Cover                            |                     |
| 6                           | 1             | 322722833/0            | Spolskydd                              | Lower Guard                            |                     |
| 7                           | 1             | 322722834/0            | Skydd-Övre                             | Upper Guard                            |                     |
| 8                           | 1             | 112728706/0            | Skruv                                  | Screw                                  |                     |



| Utgåva<br>Issue<br>2 - 2016 |               | Kniv<br>Blade     |                |                |                     |
|-----------------------------|---------------|-------------------|----------------|----------------|---------------------|
| Pos.<br>Fig.                | Antal<br>Q.ty | Art nr<br>Part No | Benämning      | Description    | Anmärkning<br>Notes |
| 1                           | 1             | 112139440/0       | Kil            | Key            |                     |
| 2                           | 1             | 322463190/0       | Knivfäste Ø 17 | Hub Ø 17       |                     |
| 3                           | 1             | 181004158/0       | Mulcherkniv    | Mulching Blade |                     |
| 4                           | 1             | 112735698/0       | Skruv          | Screw          |                     |
| 5                           | 4             | 112583500/0       | Lasbricka      | Grower         |                     |
| 6                           | 4             | 112293200/0       | Mutter         | Nut            |                     |

| code         | pos. | q.ty | page  |             |    |   |       |
|--------------|------|------|-------|-------------|----|---|-------|
| 112139440/0  | 1    | 1    | p. 13 | 381007575/0 | 22 | 1 | p. 7  |
| 112154330/0  | 16   | 2    | p. 7  | 381007576/0 | 23 | 2 | p. 7  |
| 112154510/0  | 8    | 1    | p. 7  | 381030103/1 | 5  | 1 | p. 7  |
| 112155000/0  | 17   | 6    | p. 7  | 381270001/0 | 1  | 1 | p. 11 |
| 112155015/0  | 15   | 4    | p. 3  | 381390126/0 | 1  | 1 | p. 5  |
| 112292100/0  | 19   | 2    | p. 3  | 381600557/0 | 2  | 1 | p. 7  |
| 112293200/0  | 6    | 4    | p. 13 |             |    |   |       |
| 112293200/0  | 12   | 2    | p. 7  |             |    |   |       |
| 112293200/0  | 13   | 4    | p. 3  |             |    |   |       |
| 112521350/0  | 14   | 4    | p. 3  |             |    |   |       |
| 112523070/0  | 11   | 4    | p. 3  |             |    |   |       |
| 112582100/0  | 18   | 2    | p. 3  |             |    |   |       |
| 112583500/0  | 5    | 4    | p. 13 |             |    |   |       |
| 112583500/0  | 12   | 4    | p. 3  |             |    |   |       |
| 112727783/0  | 7    | 1    | p. 7  |             |    |   |       |
| 112728124/0  | 5    | 2    | p. 5  |             |    |   |       |
| 112728697/0  | 2    | 2    | p. 3  |             |    |   |       |
| 112728697/0  | 4    | 8    | p. 5  |             |    |   |       |
| 112728706/0  | 8    | 1    | p. 11 |             |    |   |       |
| 112728711/0  | 4    | 11   | p. 7  |             |    |   |       |
| 112735698/0  | 4    | 1    | p. 13 |             |    |   |       |
| 112760475/0  | 15   | 2    | p. 7  |             |    |   |       |
| 112815200/0  | 17   | 2    | p. 3  |             |    |   |       |
| 112818900/0  | 19   | 6    | p. 7  |             |    |   |       |
| 112819121/0  | 10   | 2    | p. 7  |             |    |   |       |
| 112819202/0  | 13   | 2    | p. 7  |             |    |   |       |
| 114367494/2  | 6    | 1    | p. 5  |             |    |   |       |
| 118203853/0  | 20   | 2    | p. 3  |             |    |   |       |
| 118203854/0  | 18   | 4    | p. 7  |             |    |   |       |
| 118203854/0  | 21   | 2    | p. 3  |             |    |   |       |
| 119216035/0  | 2    | 4    | p. 9  |             |    |   |       |
| 119216035/0  | 6    | 4    | p. 9  |             |    |   |       |
| 122192000/1  | 9    | 2    | p. 7  |             |    |   |       |
| 122394501/0  | 9    | 4    | p. 3  |             |    |   |       |
| 122399900/0  | 21   | 4    | p. 7  |             |    |   |       |
| 122519811/0  | 10   | 4    | p. 3  |             |    |   |       |
| 122671651/0  | 11   | 4    | p. 7  |             |    |   |       |
| 122671661/0  | 22   | 4    | p. 3  |             |    |   |       |
| 181003439/0  | 24   | 1    | p. 7  |             |    |   |       |
| 181004158/0  | 3    | 1    | p. 13 |             |    |   |       |
| 322109912/0  | 3    | 1    | p. 3  |             |    |   |       |
| 322109913/0  | 4    | 1    | p. 3  |             |    |   |       |
| 322109957/0  | 2    | 1    | p. 11 |             |    |   |       |
| 322109958/0  | 3    | 1    | p. 11 |             |    |   |       |
| 322109959/0  | 4    | 1    | p. 11 |             |    |   |       |
| 322109969/OA | 5    | 1    | p. 11 |             |    |   |       |
| 322110744/0  | 3    | 2    | p. 9  |             |    |   |       |
| 322110744/0  | 9    | 2    | p. 9  |             |    |   |       |
| 322291074/0  | 3    | 1    | p. 7  |             |    |   |       |
| 322291075/0  | 1    | 1    | p. 7  |             |    |   |       |
| 322321537/0  | 8    | 4    | p. 3  |             |    |   |       |
| 322393659/0  | 3    | 1    | p. 5  |             |    |   |       |
| 322393739/0  | 2    | 1    | p. 5  |             |    |   |       |
| 322463190/0  | 2    | 1    | p. 13 |             |    |   |       |
| 322551578/0  | 14   | 2    | p. 7  |             |    |   |       |
| 322551640/0  | 6    | 1    | p. 7  |             |    |   |       |
| 322608569/0  | 16   | 2    | p. 3  |             |    |   |       |
| 322722833/0  | 6    | 1    | p. 11 |             |    |   |       |
| 322722834/0  | 7    | 1    | p. 11 |             |    |   |       |
| 322735595/1  | 6    | 2    | p. 3  |             |    |   |       |
| 322735597/1  | 5    | 2    | p. 3  |             |    |   |       |
| 381004783/1  | 1    | 1    | p. 3  |             |    |   |       |
| 381005143/0  | 7    | 4    | p. 3  |             |    |   |       |
| 381007450/1  | 1    | 2    | p. 9  |             |    |   |       |
| 381007450/1  | 5    | 2    | p. 9  |             |    |   |       |
| 381007556/0  | 20   | 1    | p. 7  |             |    |   |       |