



## **Reservdelskatalog Parts Catalogue**

# **MULTICLIP 47 Q B**

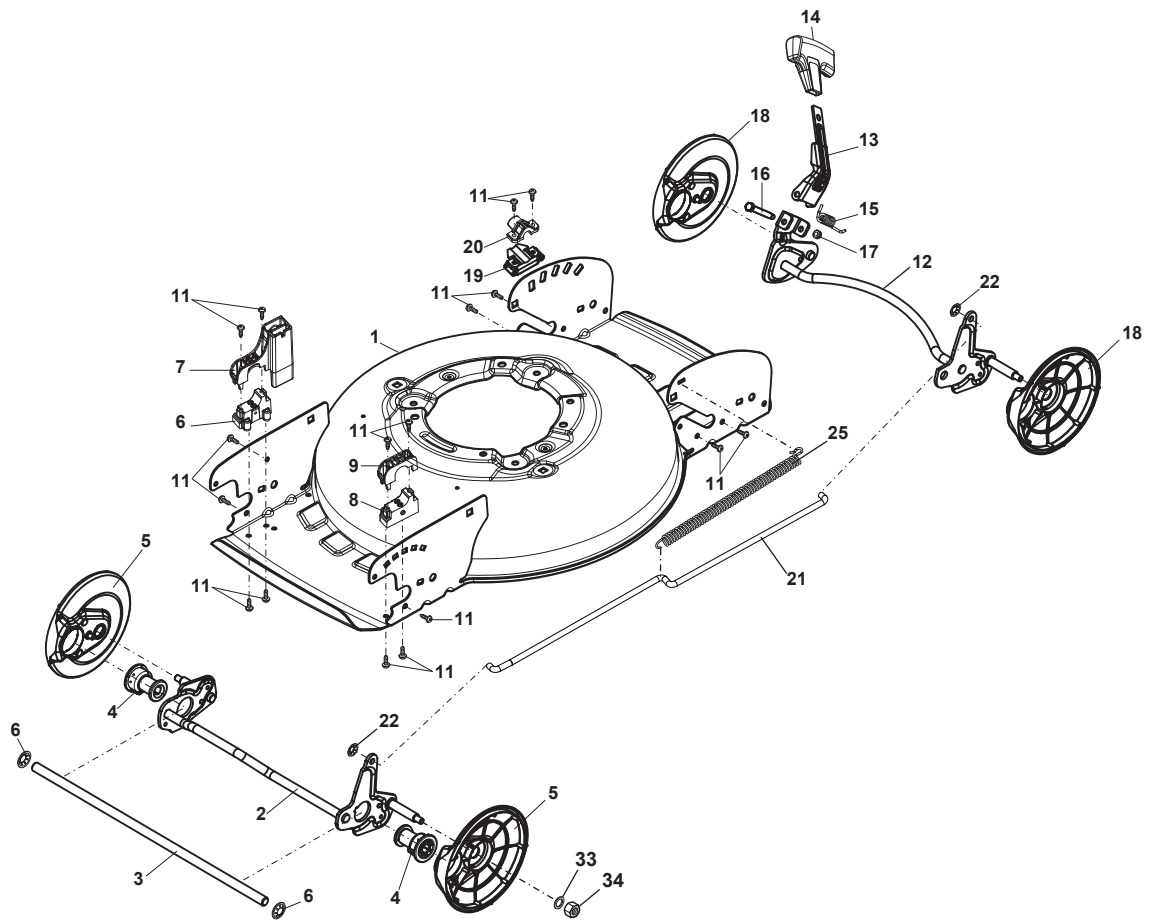
**298471828/S15 - Season 2015**

- Use GLOBAL GARDEN PRODUCT Genuine Spare Parts specified in the parts list for repair and/or replacement.
  - The contents described in the parts list may change due to improvement.
  - The drawings of the spare parts are only indicative and might not represent the part in question exactly.
  - The indications "right" - "left" - "front" - "rear" refer to the position of the operator when using the machine.
- When placing orders of parts for repair and/or replacement, make sure that the illustrated parts list is the one applying to the machine's year of manufacture, as shown on the identification plate attached to the machine.

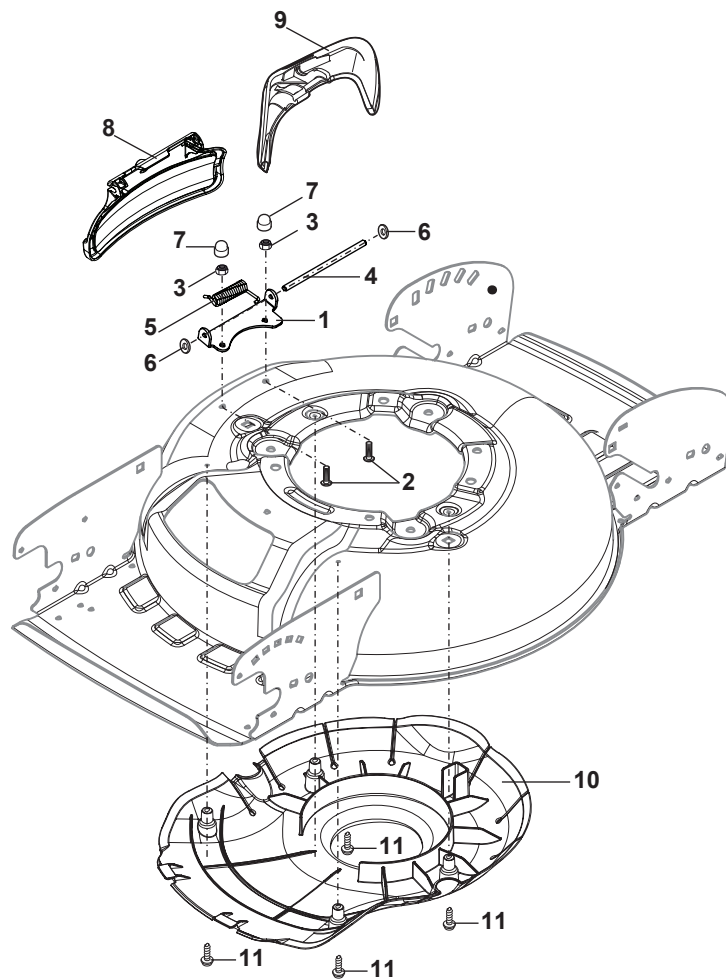
© Copyright 2015 Global Garden Products

All rights reserved. No part of this material may be reproduced or transmitted, in any form or by any means, electronic or mechanical, including photocopying, recording or by any information storage and retrieval system, without permission in writing from GLOBAL GARDEN PRODUCTS.

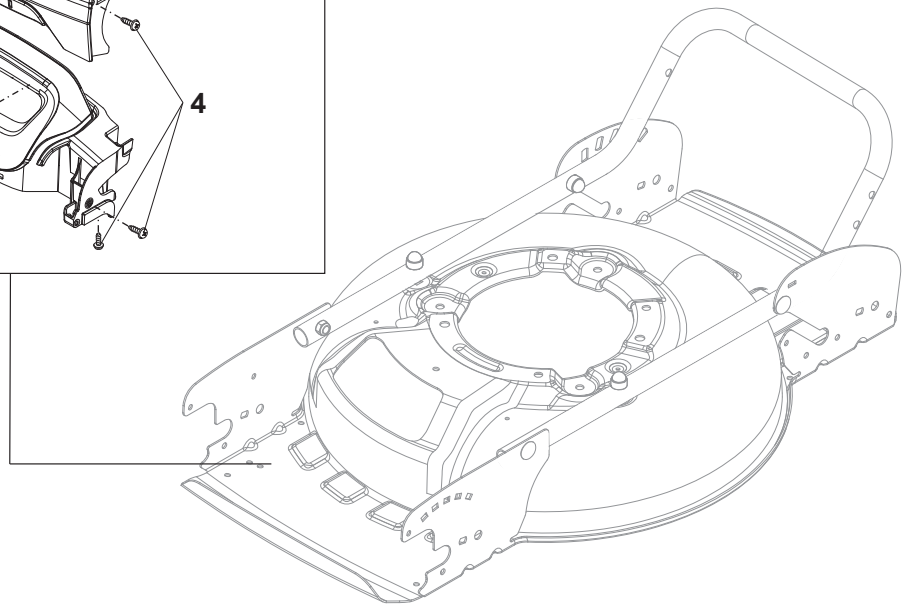
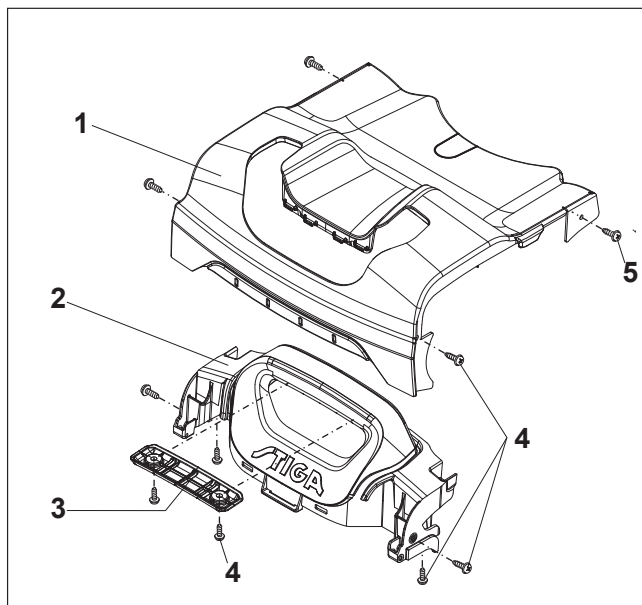
[www.stiga.com](http://www.stiga.com)



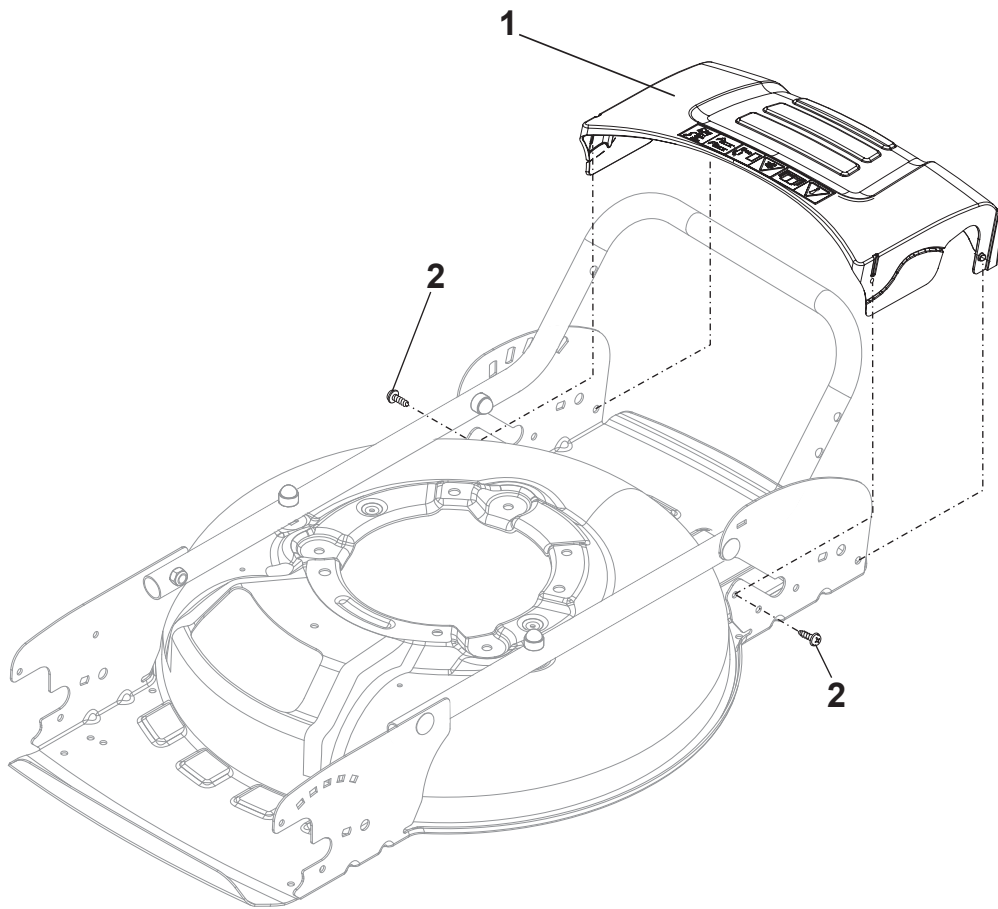
Utgåva Issue 35 - 2015		Kapa och höjdställning Deck And Height Adjusting			
Pos. Fig.	Antal Q.ty	Art nr Part No	Benämning	Description	Anmärkning Notes
1	1	381004781/0	Chassi-gra	Grey Deck	
2	1	381302877/0	Hjulaxel-fram	Front Wheel Axle	
3	1	322033397/0	Hjulaxel-fram	Front Wheel Axle	
4	1	322042066/0	Bussning	Bushing	
5	2	322600204/0	Hjulskydd	Internal Wheel Protection	
6	2	122020050/0	Lasbricka	Ring	
7	1	322785476/0	Fäste	Support	
8	1	322785477/0	Fäste	Support	
9	1	322785478/0	Fäste	Support	
10	1	322785479/0	Fäste	Support	
11	19	112728697/0	Skruv	Screw	
12	1	381302879/0	Hjulaxel-bakre	Rear Wheel Axle	
13	1	322322857/0	Manöverbygel	Lever, Height Adjustment	
14	1	322394527/0	Handtagsknopp	Knob	
15	1	122446192/0	Fjäder	Spring	
16	1	122534131/0	Stift	Pin	
17	1	112154510/0	Mutter	Nut	
18	2	322600204/0	Hjulskydd	Internal Wheel Protection	
19	2	322785474/0	Fäste	Support	
20	2	322785475/0	Höjjustering sektor	Sector, Height Adjustment	
21	1	122033332/0	Justerstang	Adjustment Rod	
22	2	112604899/0	Starlock P6704 8 Fz	Crown Fastener	
23	1	122446184/0	Fjäder	Spring	
33	4	112521350/0	Bricka	Washer	
34	4	112155000/0	Mutter	Nut	



Utgåva Issue 35 - 2015		Utkastskydd Ejection-Guard			
Pos. Fig.	Antal Q.ty	Art nr Part No	Benämning	Description	Anmärkning Notes
1	1	322806639/0	Fäste	Fulcrum Pin	
2	2	112727803/0	Skruv	Screw	
3	2	112154510/0	Mutter	Nut	
4	1	122517869/1	Stift	Pin	
5	1	122450456/0	Fjäder	Spring	
6	2	112604896/0	Starlock P6493 6	Crown Fastener	
7	2	118203853/0	Skruv	Screw	
8	1	322600307/0	Utkastskydd	Ejection Guard	
9	1	322108314/0	Ejection Conveyor	Ejection Conveyor	
10	1	322060269/0	Mulchingplugg	Complete Mulching Carter	
11	4	112728530/0	Skruv	Screw	

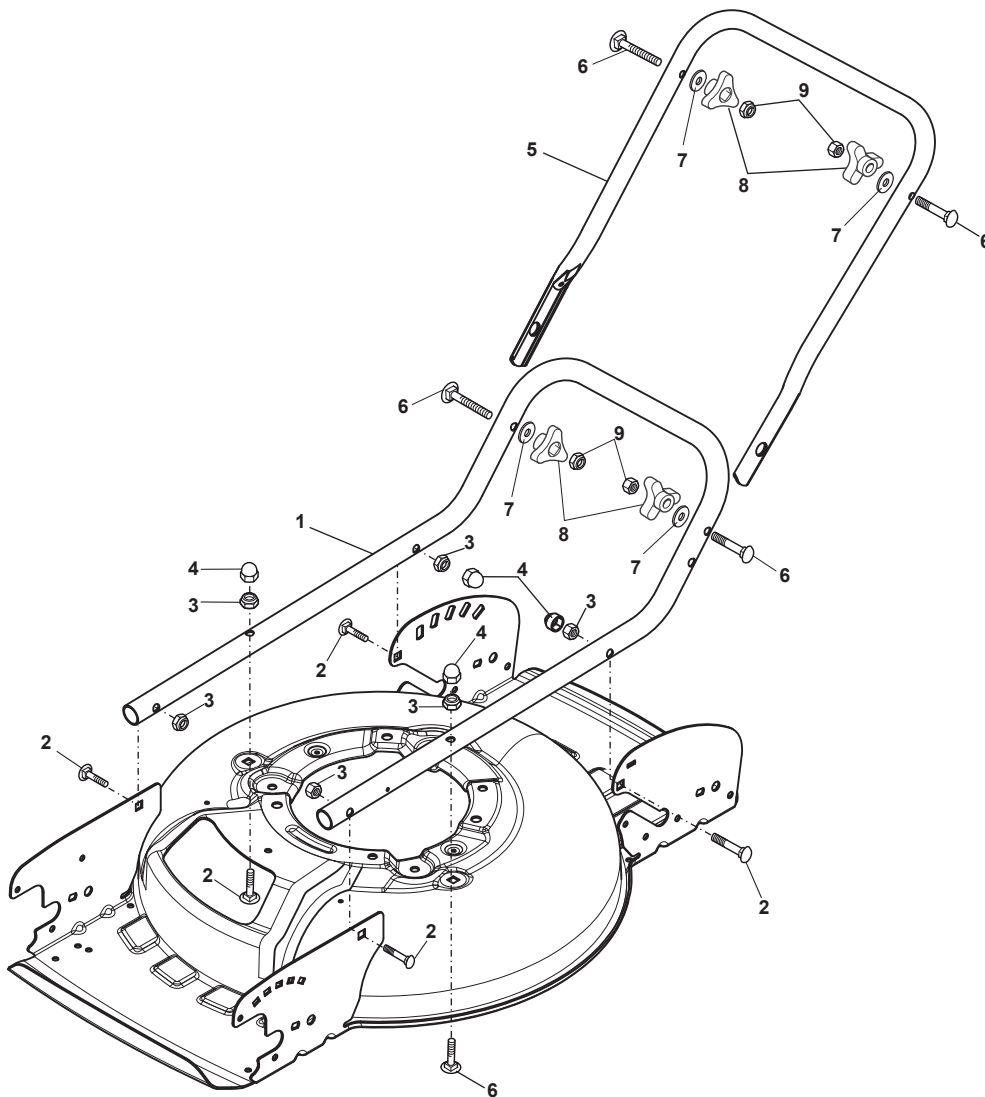


Utgåva Issue 35 - 2015		Mask Mask, Frontal Basic Version			
Pos. Fig.	Antal Q.ty	Art nr Part No	Benämning	Description	Anmärkning Notes
1	1	381390126/0	Handtag	Frontal Assy	
2	1	322393739/0	Handtag	Frontal	
3	1	322393659/0	Handtag, nedresKapa, gul	Handle, Lower Part	
4	8	112728697/0	Skruv	Screw	
5	2	112728124/0	Skruv	Screw	

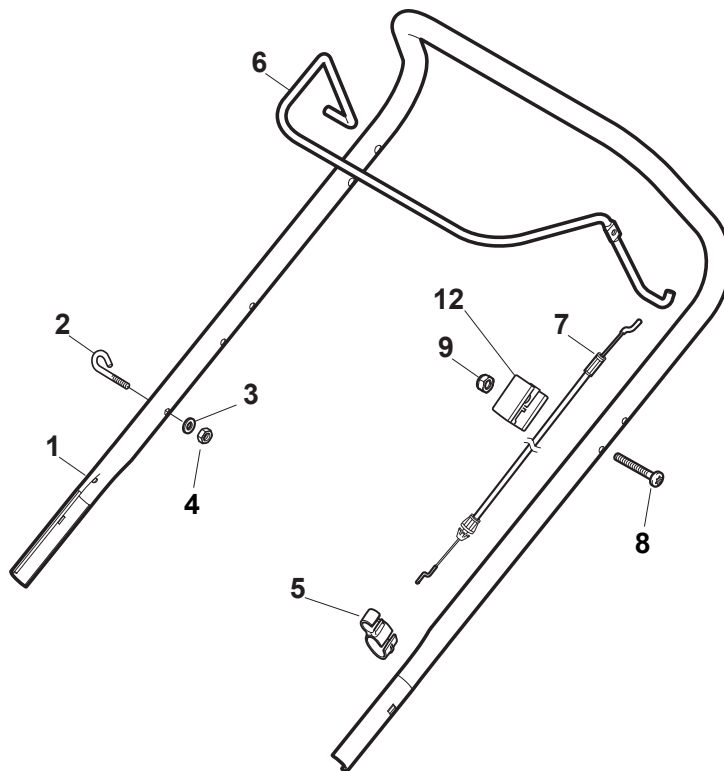




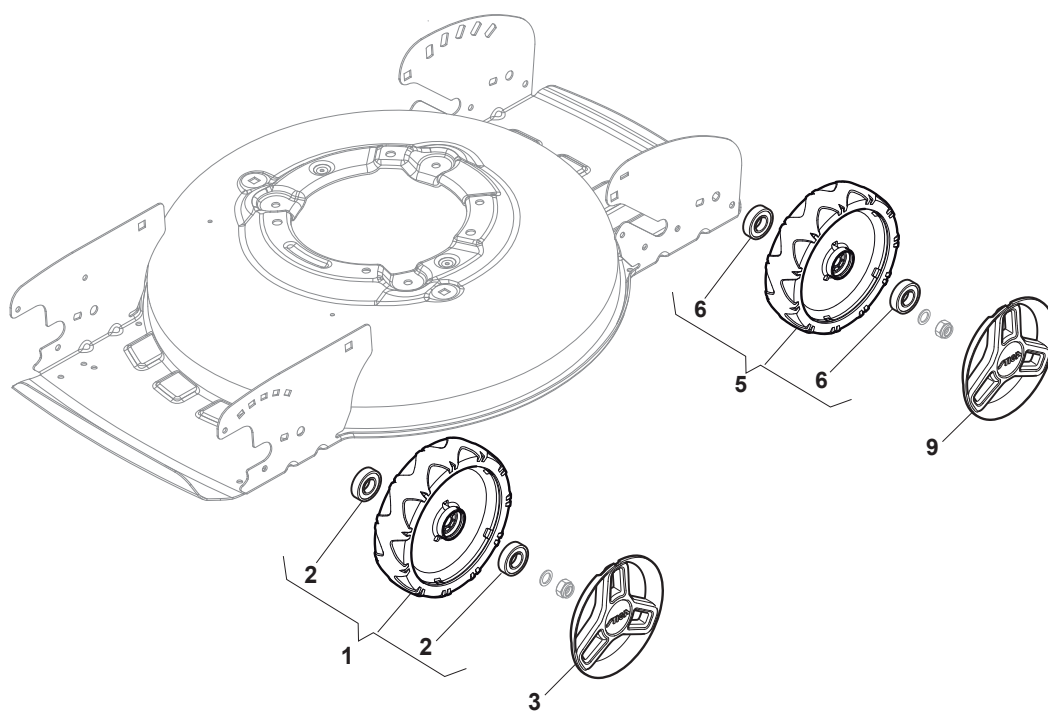
Utgåva Issue 35 - 2015		Bakre omslag Rear Cover			
Pos. Fig.	Antal Q.ty	Art nr Part No	Benämning	Description	Anmärkning Notes
1	1	322055258/0	Kapa	Rear Cover	
2	2	112728697/0	Skruv	Screw	



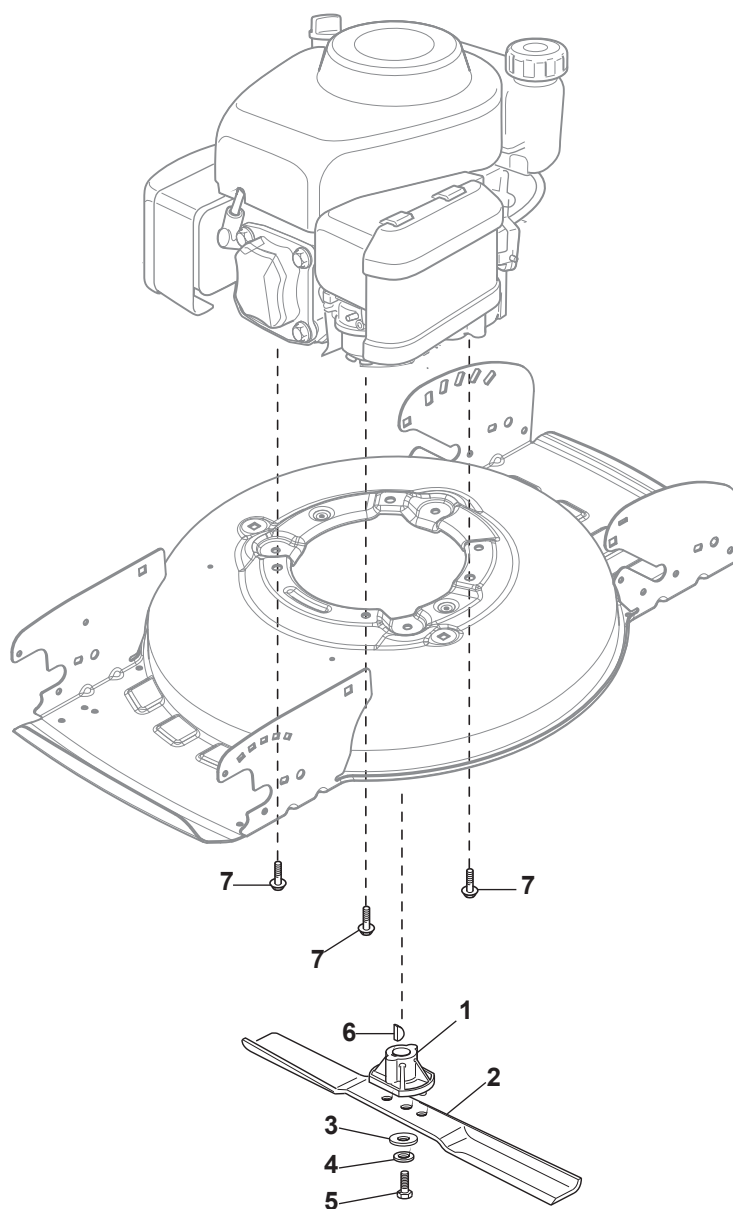
Utgåva Issue 35 - 2015		Reglage, nedre Handle, Lower Part			
Pos. Fig.	Antal Q.ty	Art nr Part No	Benämning	Description	Anmärkning Notes
1	1	381007556/0	Reglage, nedre Gul	Handle, Lower Part Yellow	
2	6	112818900/0	Skruv	Screw	
3	6	112155000/0	Mutter	Nut	
4	4	118203854/0	Skruv	Screw	
5	1	381007542/1	Handtag Nedre	Handle, Middle Part Yellow	
6	4	112819121/0	Skruv	Screw	
7	4	122671651/0	Bricka	Washer	
8	4	322399840/0	Handtag Gul	Yellow Knob	
9	4	112293200/0	Mutter	Nut	



Utgåva Issue 35 - 2015		Reglage, övre Handle, Upper Part			
Pos. Fig.	Antal Q.ty	Art nr Part No	Benämning	Description	Anmärkning Notes
1	1	381006754/0	Handtag, överdel gul	Handle, Upper Part Yellow	Yellow
2	1	122430313/0	Fjäder	Guide Spring	
3	1	112521330/0	Bricka	Washer	
4	1	112154510/0	Mutter	Nut	
5	1	118390020/0	Vajerhallare	Conduit Clip	
6	1	181003363/1	Reglagebygel	Lever, Engine Brake Black	Black
7	1	181030079/0	Motorbromswire	Cable, Thread Engine Brake	
8	1	112727783/0	Skruv	Screw	
9	1	112154510/0	Mutter	Nut	
12	1	322551640/0	Plat	Plate	



Utgåva Issue 35 - 2015		Hjul och navkapsel Wheels and Hub Caps			
Pos. Fig.	Antal Q.ty	Art nr Part No	Benämning	Description	Anmärkning Notes
1	2	381007455/1	Hjul	Wheel	
2	4	119216035/0	Lager	Bearing	
3	2	322110744/0	Navkapsel Gra	Hub Cap Grey	
5	2	381007455/1	Hjul	Wheel	
6	4	119216035/0	Lager	Bearing	
9	2	322110744/0	Navkapsel Gra	Hub Cap Grey	





Utgåva Issue 35 - 2015		Kniv Blade			
Pos. Fig.	Antal Q.ty	Art nr Part No	Benämning	Description	Anmärkning Notes
1	1	122463012/2	Knivfäste	Hub, Crankshaft Ø 22.2	GGP/B&S Engine
2	1	181004158/0	Mulcherkniv	Mulching Blade	
3	1	112508125/0	Bricka	Elastic Washer	
4	1	112523080/0	Bricka	Washer	
5	1	112735698/0	Skruv	Screw	
6	1	112139100/0	Kil D22Mm	Feather, Crankshaft Ø 22	GGP/B&S Engine
7	3	112735108/1	Skruv	Screw	

code	pos.	q.ty	page				
112139100/0	6	1	p. 17	381004781/0	1	1	p. 3
112154510/0	3	2	p. 5	381006754/0	1	1	p. 13
112154510/0	4	1	p. 13	381007455/1	1	2	p. 15
112154510/0	9	1	p. 13	381007455/1	5	2	p. 15
112154510/0	17	1	p. 3	381007542/1	5	1	p. 11
112155000/0	3	6	p. 11	381007556/0	1	1	p. 11
112155000/0	34	4	p. 3	381302877/0	2	1	p. 3
112293200/0	9	4	p. 11	381302879/0	12	1	p. 3
112508125/0	3	1	p. 17	381390126/0	1	1	p. 7
112521330/0	3	1	p. 13				
112521350/0	33	4	p. 3				
112523080/0	4	1	p. 17				
112604896/0	6	2	p. 5				
112604899/0	22	2	p. 3				
112727783/0	8	1	p. 13				
112727803/0	2	2	p. 5				
112728124/0	5	2	p. 7				
112728530/0	11	4	p. 5				
112728697/0	2	2	p. 9				
112728697/0	4	8	p. 7				
112728697/0	11	19	p. 3				
112735108/1	7	3	p. 17				
112735698/0	5	1	p. 17				
112818900/0	2	6	p. 11				
112819121/0	6	4	p. 11				
118203853/0	7	2	p. 5				
118203854/0	4	4	p. 11				
118390020/0	5	1	p. 13				
119216035/0	2	4	p. 15				
119216035/0	6	4	p. 15				
122020050/0	6	2	p. 3				
122033332/0	21	1	p. 3				
122430313/0	2	1	p. 13				
122446184/0	23	1	p. 3				
122446192/0	15	1	p. 3				
122450456/0	5	1	p. 5				
122463012/2	1	1	p. 17				
122517869/1	4	1	p. 5				
122534131/0	16	1	p. 3				
122671651/0	7	4	p. 11				
181003363/1	6	1	p. 13				
181004158/0	2	1	p. 17				
181030079/0	7	1	p. 13				
322033397/0	3	1	p. 3				
322042066/0	4	1	p. 3				
322055258/0	1	1	p. 9				
322060269/0	10	1	p. 5				
322108314/0	9	1	p. 5				
322110744/0	3	2	p. 15				
322110744/0	9	2	p. 15				
322322857/0	13	1	p. 3				
322393659/0	3	1	p. 7				
322393739/0	2	1	p. 7				
322394527/0	14	1	p. 3				
322399840/0	8	4	p. 11				
322551640/0	12	1	p. 13				
322600204/0	5	2	p. 3				
322600204/0	18	2	p. 3				
322600307/0	8	1	p. 5				
322785474/0	19	2	p. 3				
322785475/0	20	2	p. 3				
322785476/0	7	1	p. 3				
322785477/0	8	1	p. 3				
322785478/0	9	1	p. 3				
322785479/0	10	1	p. 3				
322806639/0	1	1	p. 5				