



Reservdelskatalog Parts Catalogue

MULTICLIP 47 Q H

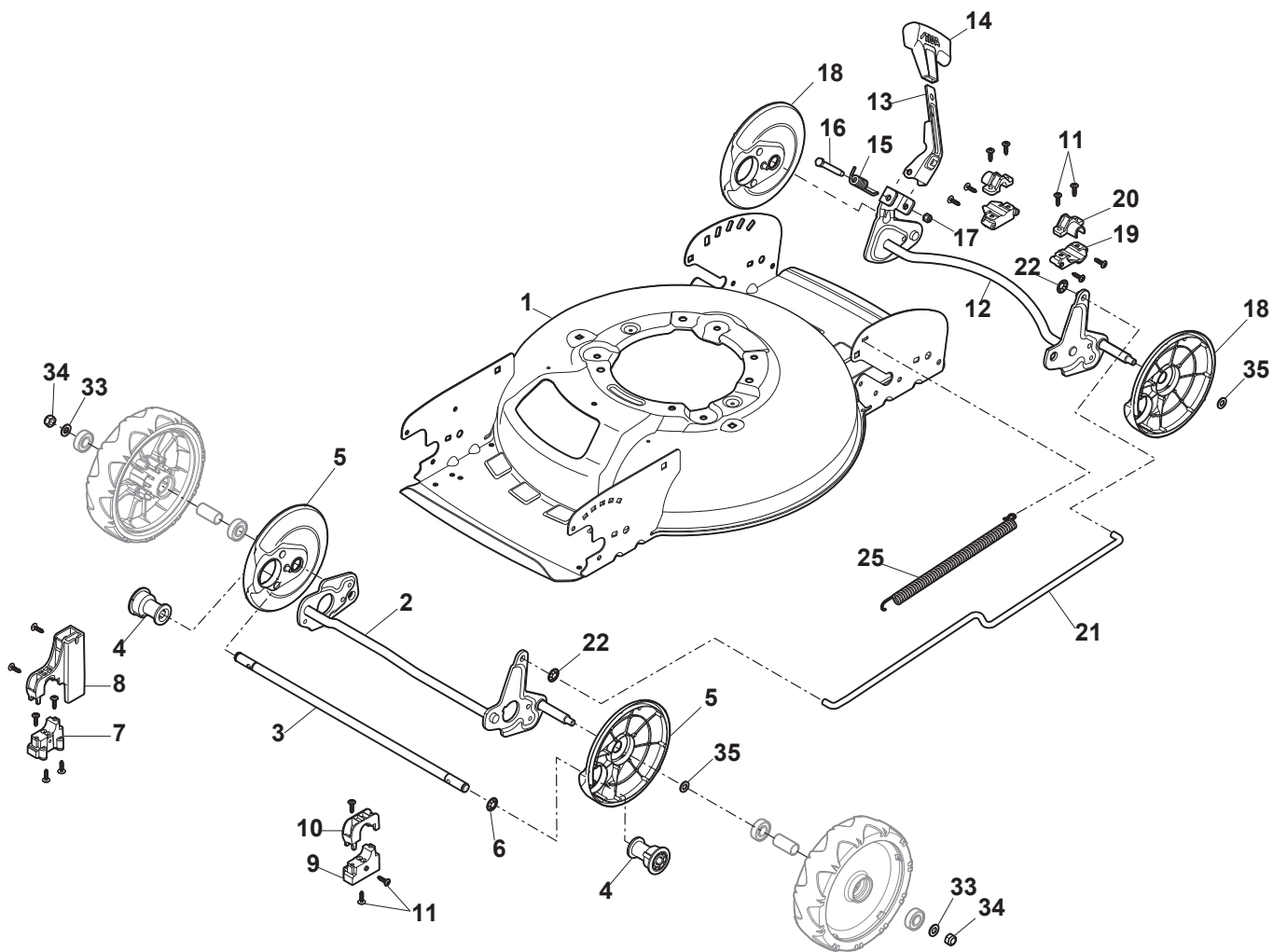
298471838/S15 - Season 2016

- Use GLOBAL GARDEN PRODUCT Genuine Spare Parts specified in the parts list for repair and/or replacement.
 - The contents described in the parts list may change due to improvement.
 - The drawings of the spare parts are only indicative and might not represent the part in question exactly.
 - The indications "right" - "left" - "front" - "rear" refer to the position of the operator when using the machine.
- When placing orders of parts for repair and/or replacement, make sure that the illustrated parts list is the one applying to the machine's year of manufacture, as shown on the identification plate attached to the machine.

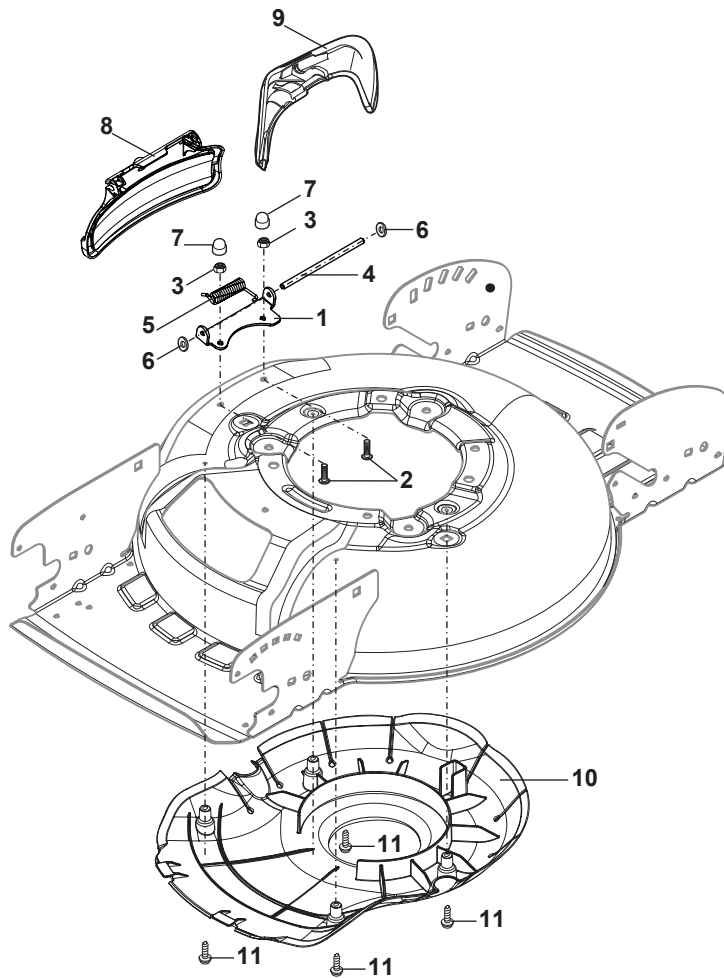
© Copyright 2016 Global Garden Products

All rights reserved. No part of this material may be reproduced or transmitted, in any form or by any means, electronic or mechanical, including photocopying, recording or by any information storage and retrieval system, without permission in writing from GLOBAL GARDEN PRODUCTS.

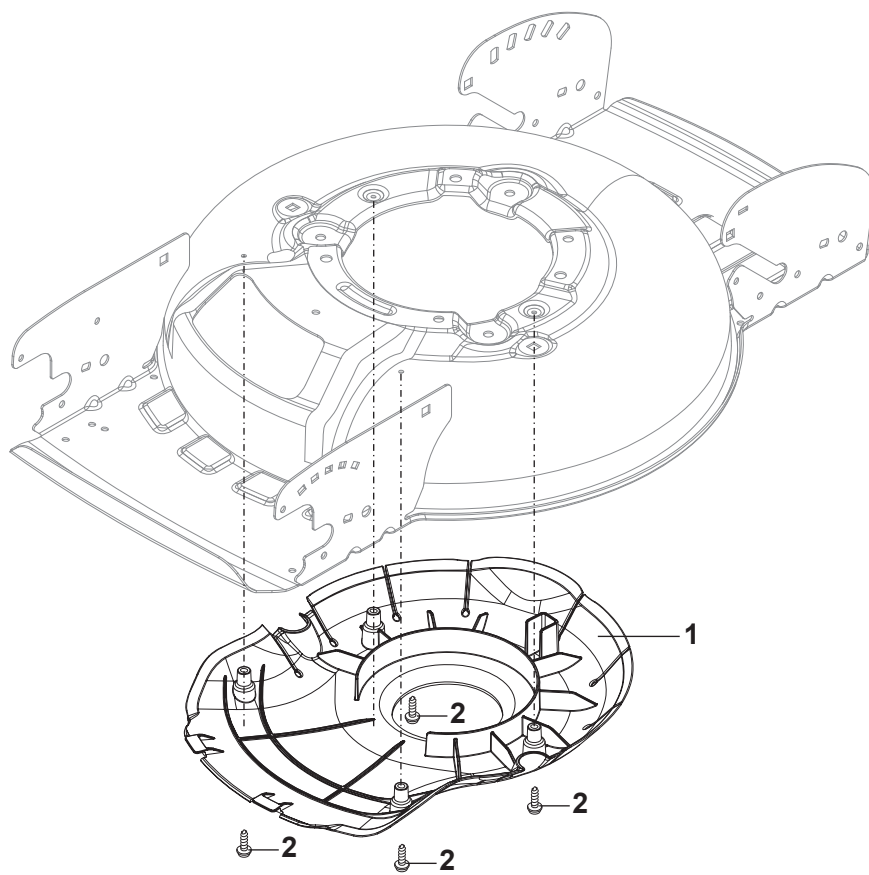
www.stiga.com



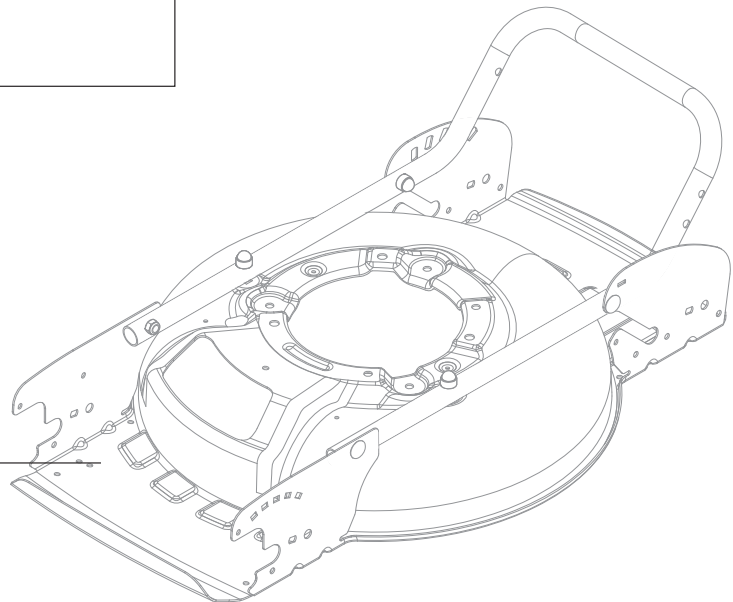
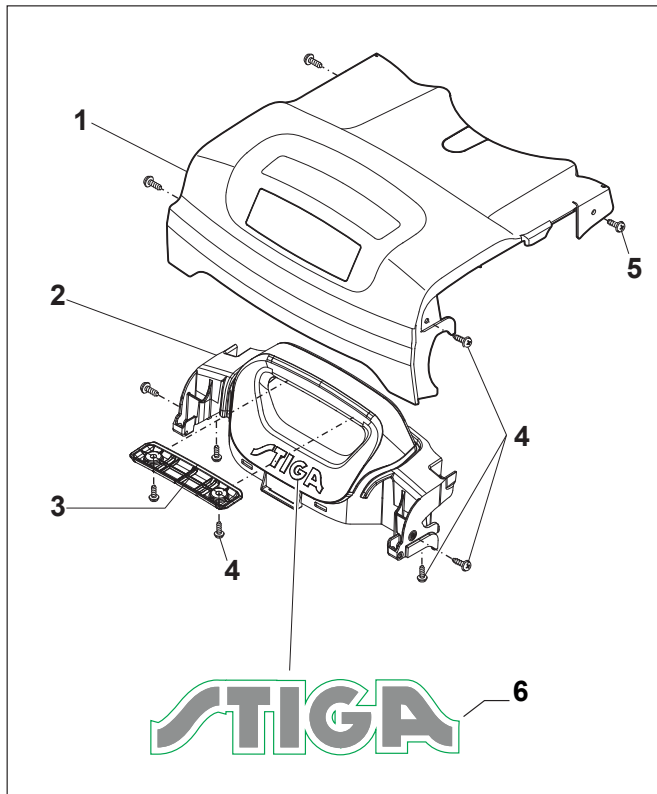
Utgåva Issue 3 - 2016		Kapa och höjdställning Deck And Height Adjusting			
Pos. Fig.	Antal Q.ty	Art nr Part No	Benämning	Description	Anmärkning Notes
1	1	381004782/1	Chassi	Deck Grey	Side Discharge
34	4	112155015/0	Mutter	Nut	
35	4	122671661/0	Bricka	Washer	
2	1	381302877/0	Hjulaxel-fram	Front Wheel Axle	
3	1	322033397/0	Hjulaxel-fram	Front Wheel Axle	
4	1	322042066/0	Bussning	Bushing	
5	2	322600204/0	Hjulskydd	Internal Wheel Protection	
6	2	122020050/0	Lasbricka	Ring	
7	1	322785476/0	Fäste	Support	
8	1	322785477/0	Fäste	Support	
9	1	322785478/0	Fäste	Support	
10	1	322785479/0	Fäste	Support	
11	19	112728697/0	Skruv	Screw	
12	1	381302879/0	Hjulaxel-bakre	Rear Wheel Axle	
13	1	322322857/0	Manöverbygel	Lever, Height Adjustment	
14	1	322394527/0	Handtagsknopp	Knob	
15	1	122446192/0	Fjäder	Spring	
16	1	122534131/0	Stift	Pin	
17	1	112154510/0	Mutter	Nut	
18	2	322600204/0	Hjulskydd	Internal Wheel Protection	
19	2	322785474/0	Fäste	Support	
20	2	322785475/0	Höjjustering sektor	Sector, Height Adjustment	
21	1	122033332/0	Justerstang	Adjustment Rod	
22	2	112604899/0	Starlock	Crown Fastener	
23	1	122446184/0	Fjäder	Spring	
33	4	112521350/0	Bricka	Washer	



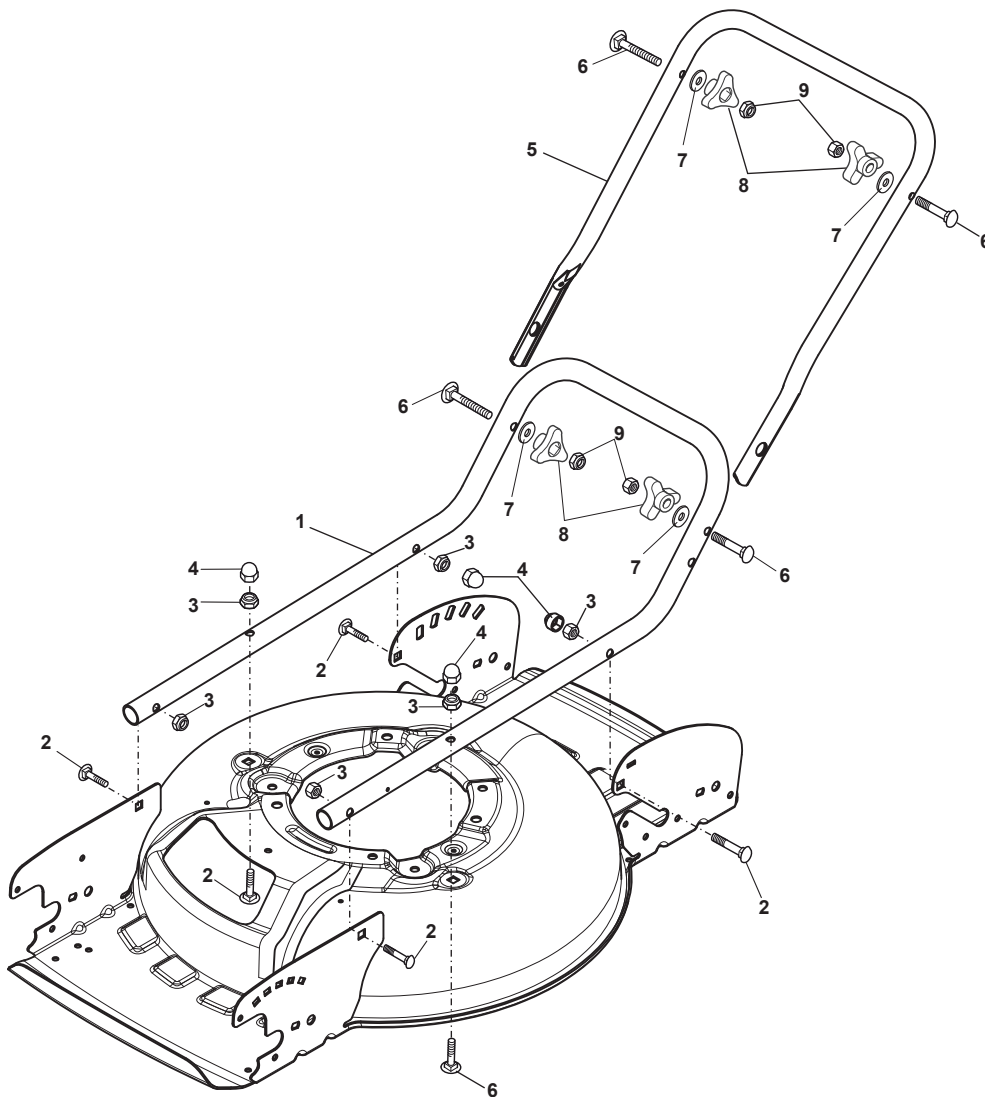
Utgåva Issue 3 - 2016		Utkastskydd Ejection-Guard			
Pos. Fig.	Antal Q.ty	Art nr Part No	Benämning	Description	Anmärkning Notes
11	4	112728531/0	Skruv	Screw	
1	1	322806639/0	Fäste	Fulcrum Pin	
2	2	112727803/0	Skruv	Screw	
3	2	112154510/0	Mutter	Nut	
4	1	122517869/1	Stift	Pin	
5	1	122450456/0	Fjäder	Spring	
6	2	112604896/0	Starlock P6493 6	Crown Fastener	
7	2	118203853/0	Lock	Cap	
8	1	322600307/0	Utkastskydd	Ejection Guard	
9	1	322108314/0	Ejection Conveyor	Ejection Conveyor	
10	1	322060269/0	Mulchingplugg	Complete Mulching Carter	



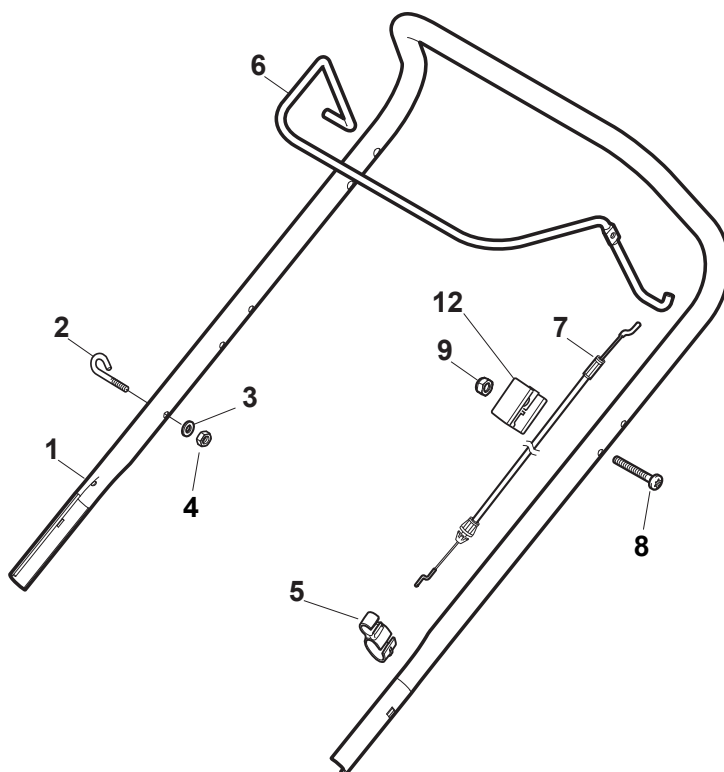
Utgåva Issue 3 - 2016		Remskydd Protection, Belt			
Pos. Fig.	Antal Q.ty	Art nr Part No	Benämning	Description	Anmärkning Notes
1	1	322060269/0	Mulchingplugg	Complete Mulching Carter	
2	4	112728531/0	Skruv	Screw	



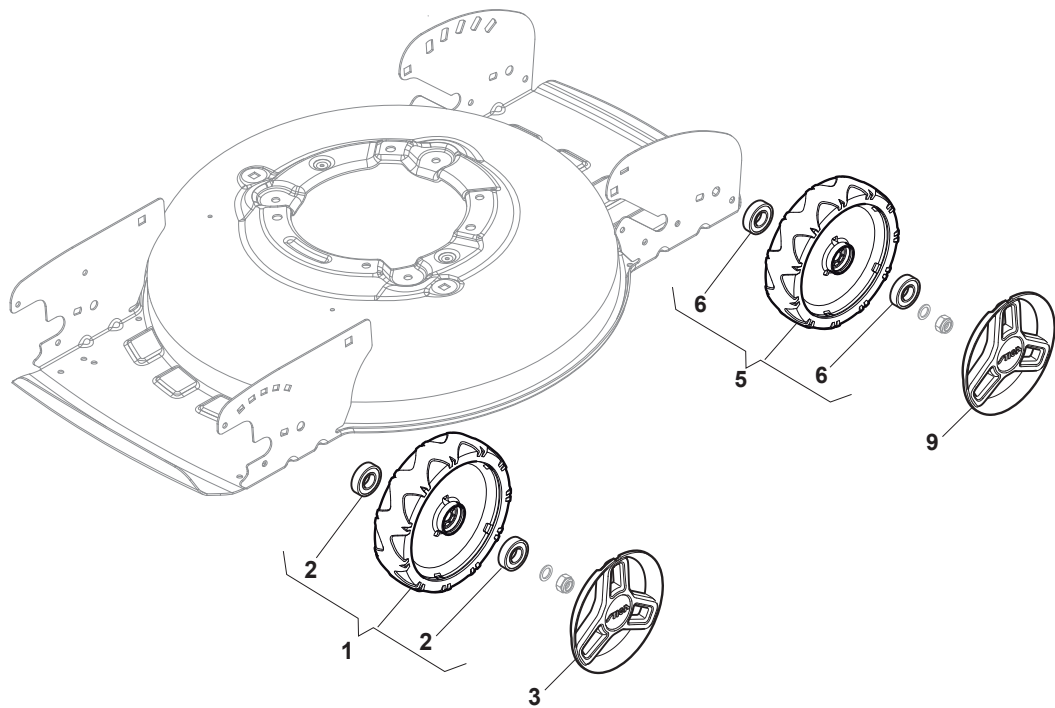
Utgåva Issue 3 - 2016		Mask Mask, Frontal Basic Version			
Pos. Fig.	Antal Q.ty	Art nr Part No	Benämning	Description	Anmärkning Notes
6	1	114367494/2	Dekal STIGA logo	Label STIGA logo	
1	1	381390126/0	Handtag	Frontal Assy	
2	1	322393739/0	Handtag	Handle	
3	1	322393659/0	Handtag, nedresKapa, gul	Handle, Lower Part	
4	8	112728697/0	Skruv	Screw	
5	2	112728124/0	Skruv	Screw	



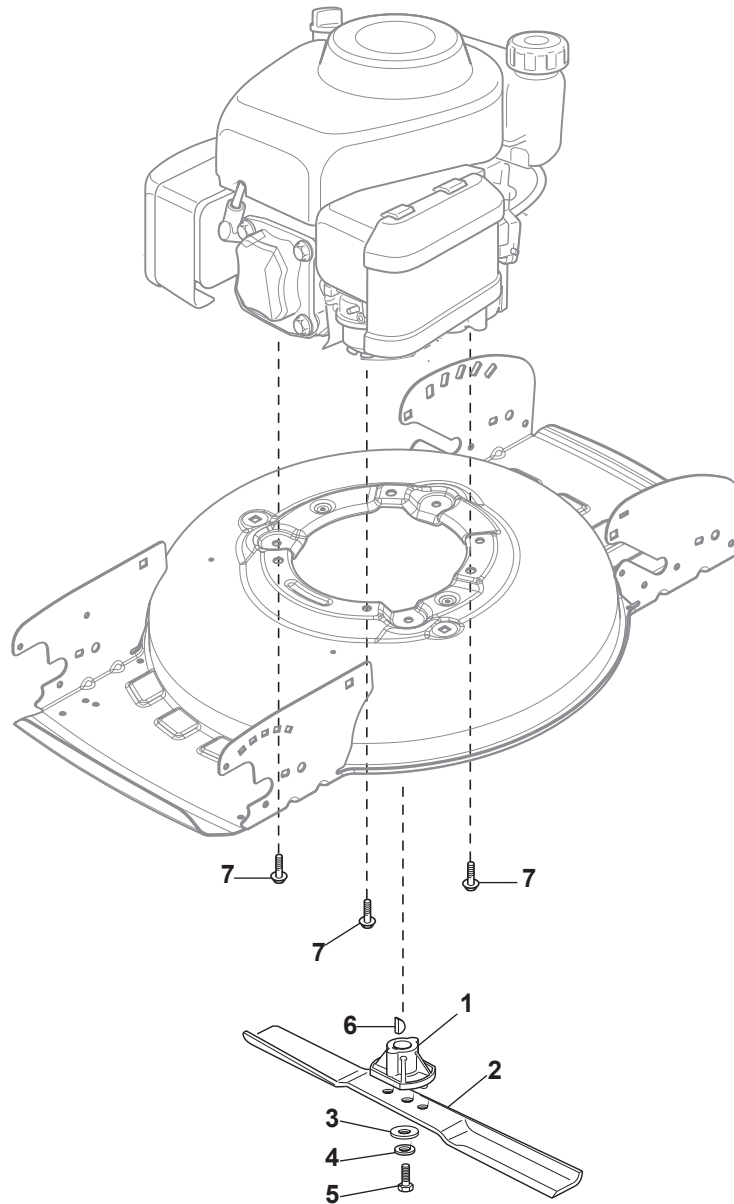
Utgåva Issue 3 - 2016		Reglage, nedre Handle, Lower Part			
Pos. Fig.	Antal Q.ty	Art nr Part No	Benämning	Description	Anmärkning Notes
1	1	381007556/0	Reglage, nedre Gul	Handle, Lower Part Yellow	
2	6	112818900/0	Skruv	Screw	
3	6	112155000/0	Mutter	Nut	
4	4	118203854/0	Lock	Cap	
5	1	381007542/1	Handtag Nedre	Handle, Middle Part Yellow	
6	4	112819121/0	Skruv	Screw	
7	4	122671651/0	Bricka	Washer	
8	4	322399840/0	Handtag Gul	Yellow Knob	
9	4	112293200/0	Mutter	Nut	



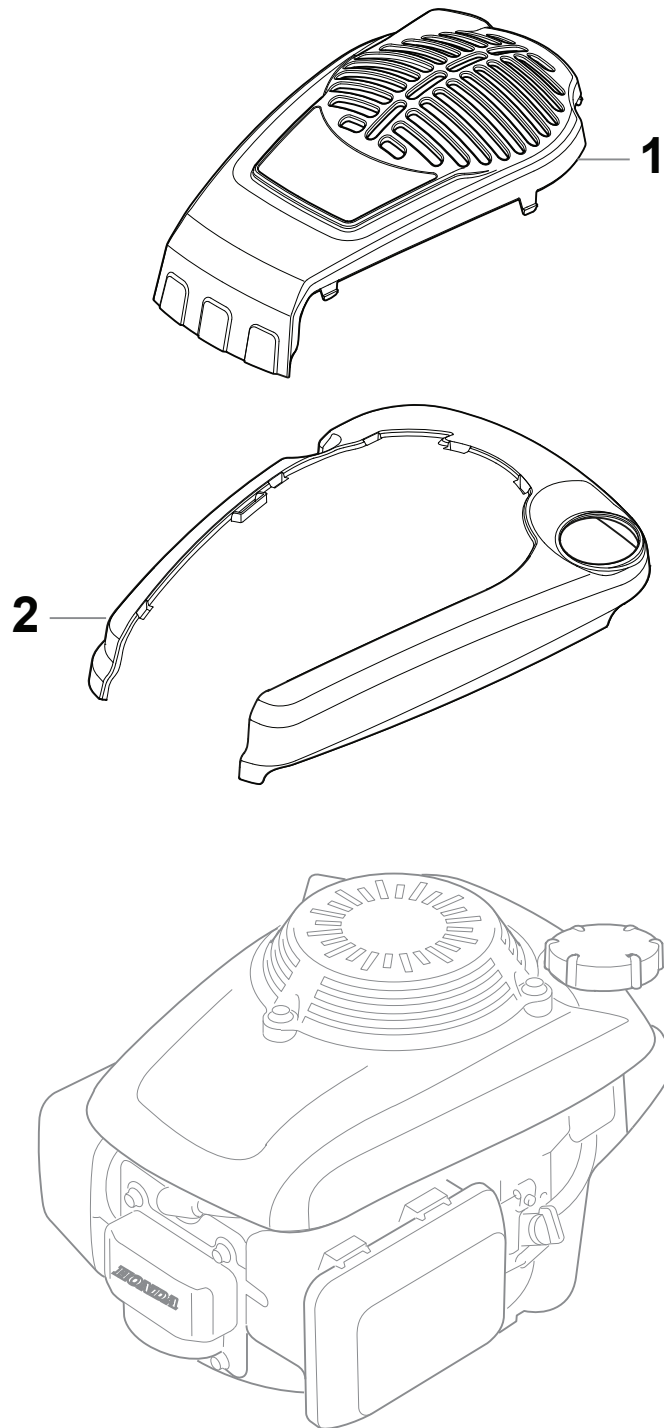
Utgåva Issue 3 - 2016		Reglage, övre Handle, Upper Part			
Pos. Fig.	Antal Q.ty	Art nr Part No	Benämning	Description	Anmärkning Notes
1	1	381006754/0	Handtag, överdel gul	Handle, Upper Part Yellow	Yellow
2	1	122430313/0	Fjäder	Guide Spring	
3	1	112521330/0	Bricka	Washer	
4	1	112154510/0	Mutter	Nut	
5	1	118390020/0	Vajerhallare	Conduit Clip	
6	1	181003363/1	Reglagebygel	Lever, Engine Brake Black	Black
7	1	181030069/1	Motorbromswire	Cable, Thread Engine Brake	
8	1	112727783/0	Skruv	Screw	
9	1	112154510/0	Mutter	Nut	
12	1	322551640/0	Plat	Plate	



Utgåva Issue 3 - 2016		Hjul och navkapsel Wheels and Hub Caps			
Pos. Fig.	Antal Q.ty	Art nr Part No	Benämning	Description	Anmärkning Notes
1	2	381007450/1	Hjul	Wheel	
2	4	119216035/0	Lager	Bearing	
3	2	322110744/0	Navkapsel Gra	Hub Cap Grey	
5	2	381007450/1	Hjul	Wheel	
6	4	119216035/0	Lager	Bearing	
9	2	322110744/0	Navkapsel Gra	Hub Cap Grey	



Utgåva Issue 3 - 2016		Kniv Blade			
Pos. Fig.	Antal Q.ty	Art nr Part No	Benämning	Description	Anmärkning Notes
1	1	122463020/1	Knivfäste	Hub, Crankshaft Ø 25	Honda Engine
2	1	181004158/0	Mulcherkniv	Mulching Blade	
3	1	112508125/0	Bricka	Elastic Washer	
4	1	112523080/0	Bricka	Washer	
5	1	112735698/0	Skruv	Screw	
6	1	112139150/0	Kil D25Mm	Feather, Crankshaft Ø 25	Honda Engine
7	3	112735108/1	Skruv	Screw	



Utgåva Issue 3 - 2016		Honda Engine Cover			
Pos. Fig.	Antal Q.ty	Art nr Part No	Benämning	Description	Anmärkning Notes
1	1	322055514/0	Kapa	Grey Cover	
2	1	322055515/1	Yellow Engine Cowling	Yellow Engine Cowling	

code	pos.	q.ty	page				
112139150/0	6	1	p. 17	322785477/0	8	1	p. 3
112154510/0	3	2	p. 5	322785478/0	9	1	p. 3
112154510/0	4	1	p. 13	322785479/0	10	1	p. 3
112154510/0	9	1	p. 13	322806639/0	1	1	p. 5
112154510/0	17	1	p. 3	381004782/1	1	1	p. 3
112155000/0	3	6	p. 11	381006754/0	1	1	p. 13
112155015/0	34	4	p. 3	381007450/1	1	2	p. 15
112293200/0	9	4	p. 11	381007450/1	5	2	p. 15
112508125/0	3	1	p. 17	381007542/1	5	1	p. 11
112521330/0	3	1	p. 13	381007556/0	1	1	p. 11
112521350/0	33	4	p. 3	381302877/0	2	1	p. 3
112523080/0	4	1	p. 17	381302879/0	12	1	p. 3
112604896/0	6	2	p. 5	381390126/0	1	1	p. 9
112604899/0	22	2	p. 3				
112727783/0	8	1	p. 13				
112727803/0	2	2	p. 5				
112728124/0	5	2	p. 9				
112728531/0	2	4	p. 7				
112728531/0	11	4	p. 5				
112728697/0	4	8	p. 9				
112728697/0	11	19	p. 3				
112735108/1	7	3	p. 17				
112735698/0	5	1	p. 17				
112818900/0	2	6	p. 11				
112819121/0	6	4	p. 11				
114367494/2	6	1	p. 9				
118203853/0	7	2	p. 5				
118203854/0	4	4	p. 11				
118390020/0	5	1	p. 13				
119216035/0	2	4	p. 15				
119216035/0	6	4	p. 15				
122020050/0	6	2	p. 3				
122033332/0	21	1	p. 3				
122430313/0	2	1	p. 13				
122446184/0	23	1	p. 3				
122446192/0	15	1	p. 3				
122450456/0	5	1	p. 5				
122463020/1	1	1	p. 17				
122517869/1	4	1	p. 5				
122534131/0	16	1	p. 3				
122671651/0	7	4	p. 11				
122671661/0	35	4	p. 3				
181003363/1	6	1	p. 13				
181004158/0	2	1	p. 17				
181030069/1	7	1	p. 13				
322033397/0	3	1	p. 3				
322042066/0	4	1	p. 3				
322055514/0	1	1	p. 19				
322055515/1	2	1	p. 19				
322060269/0	1	1	p. 7				
322060269/0	10	1	p. 5				
322108314/0	9	1	p. 5				
322110744/0	3	2	p. 15				
322110744/0	9	2	p. 15				
322322857/0	13	1	p. 3				
322393659/0	3	1	p. 9				
322393739/0	2	1	p. 9				
322394527/0	14	1	p. 3				
322399840/0	8	4	p. 11				
322551640/0	12	1	p. 13				
322600204/0	5	2	p. 3				
322600204/0	18	2	p. 3				
322600307/0	8	1	p. 5				
322785474/0	19	2	p. 3				
322785475/0	20	2	p. 3				
322785476/0	7	1	p. 3				