



Reservdelskatalog Parts Catalogue

MULTICLIP 50

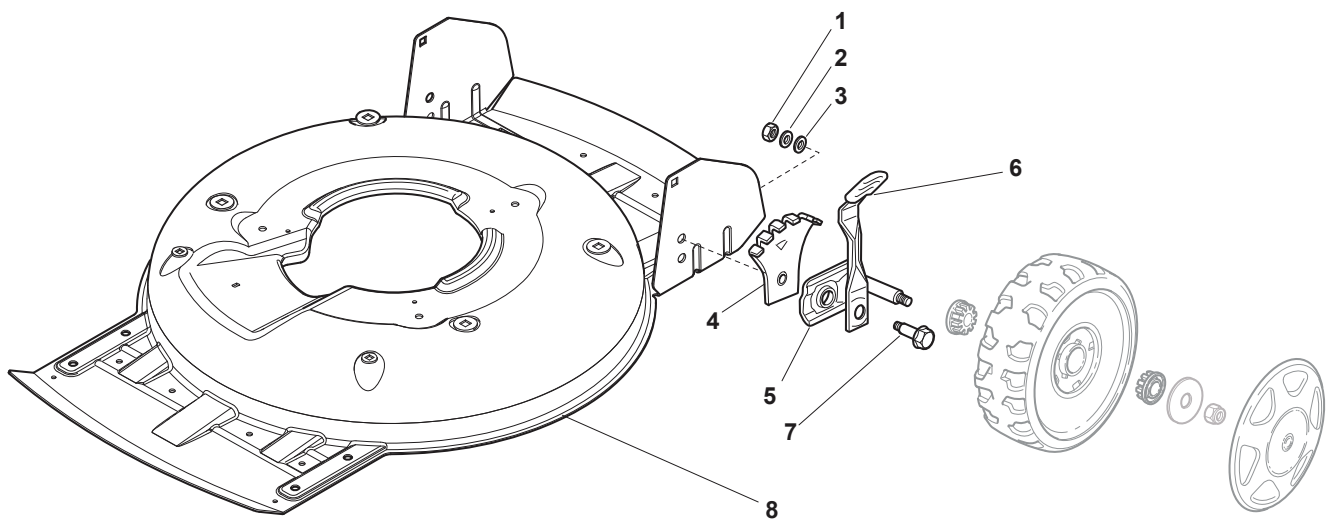
291501048/S14 - Season 2015

- Use GLOBAL GARDEN PRODUCT Genuine Spare Parts specified in the parts list for repair and/or replacement.
 - The contents described in the parts list may change due to improvement.
 - The drawings of the spare parts are only indicative and might not represent the part in question exactly.
 - The indications "right" - "left" - "front" - "rear" refer to the position of the operator when using the machine.
- When placing orders of parts for repair and/or replacement, make sure that the illustrated parts list is the one applying to the machine's year of manufacture, as shown on the identification plate attached to the machine.

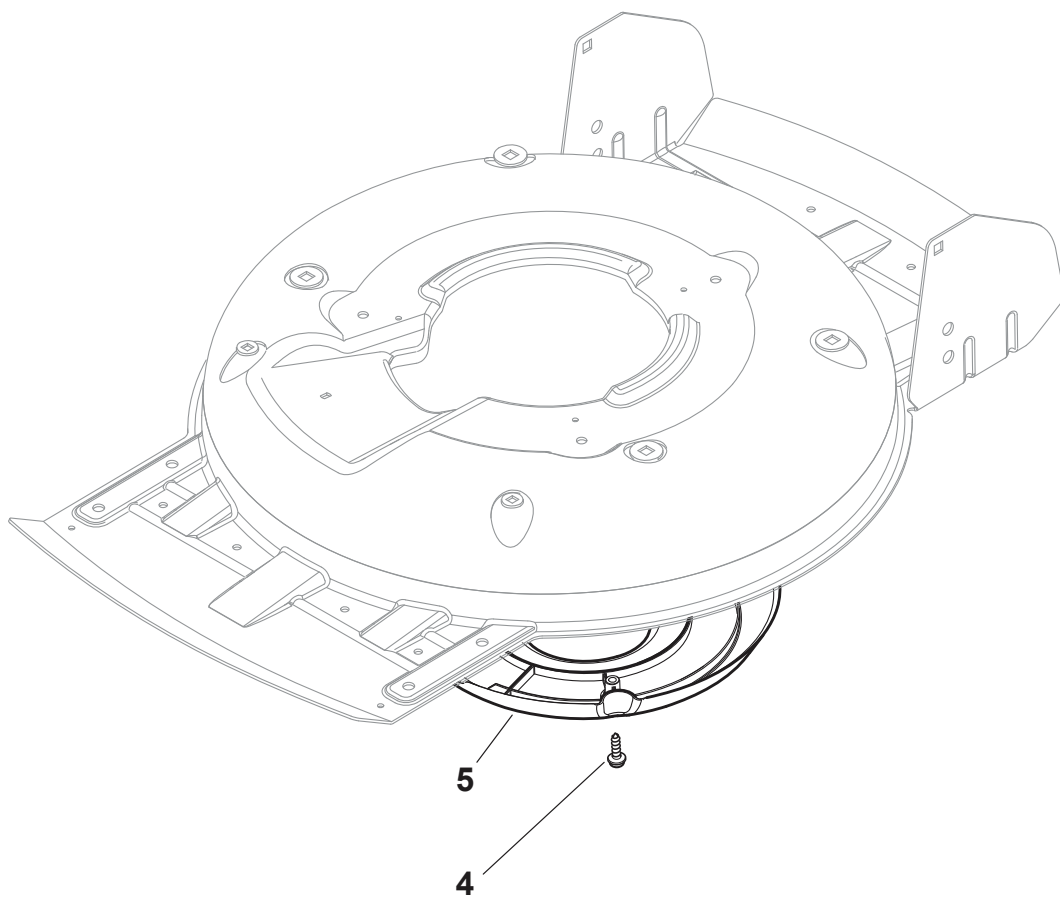
© Copyright 2015 Global Garden Products

All rights reserved. No part of this material may be reproduced or transmitted, in any form or by any means, electronic or mechanical, including photocopying, recording or by any information storage and retrieval system, without permission in writing from GLOBAL GARDEN PRODUCTS.

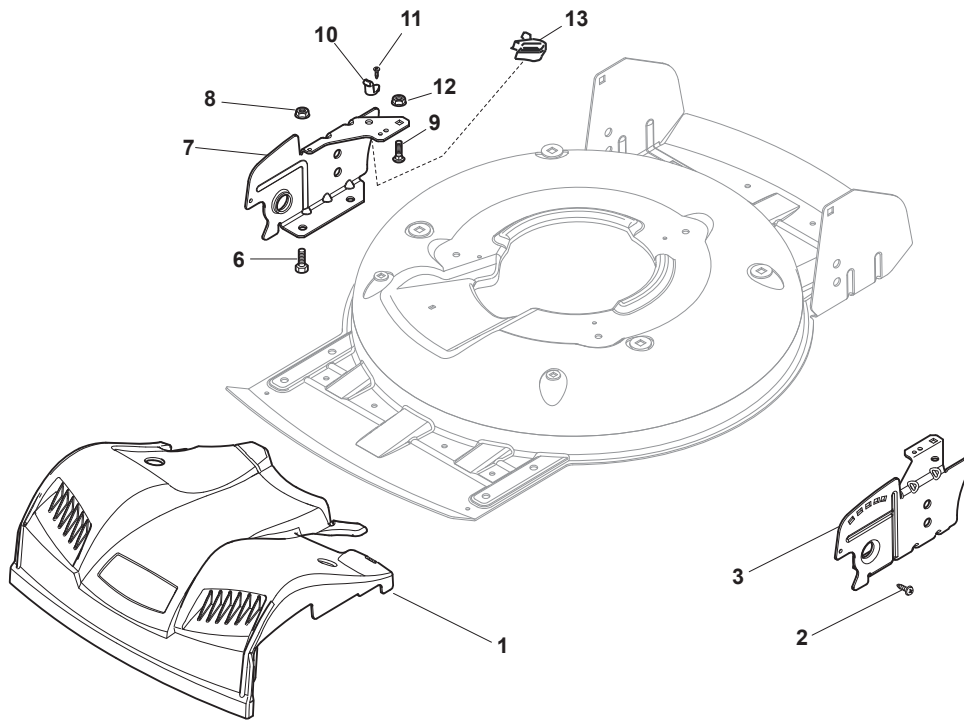
www.stiga.com



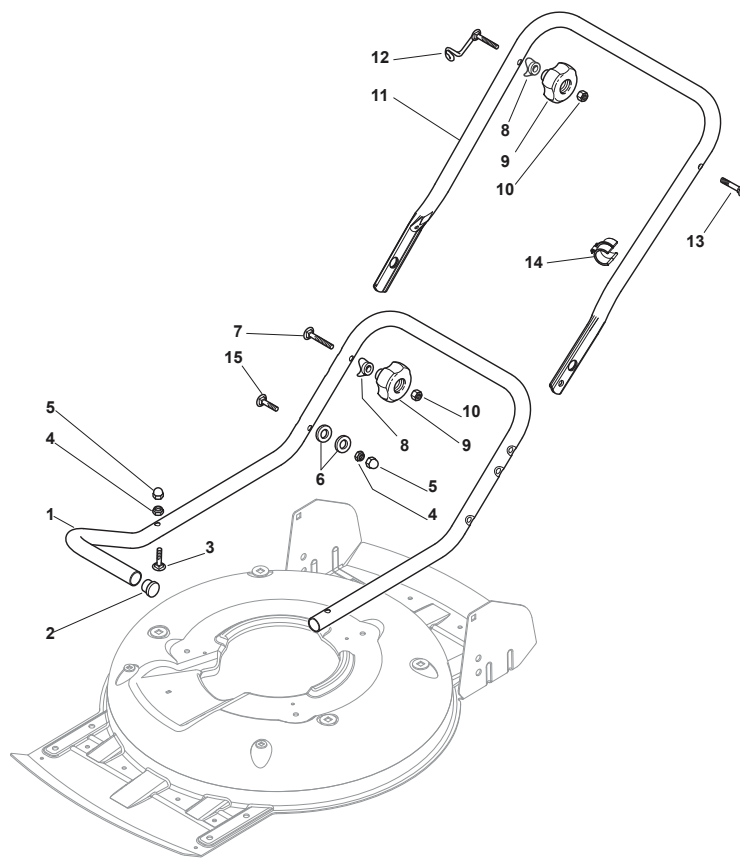
Utgåva Issue 3 - 2015		Kapa och höjdställning Deck And Height Adjusting			
Pos. Fig.	Antal Quantity	Art nr Part No	Benämning	Description	Anmärkning Notes
1	4	112293200/0	Mutter	Nut	
2	4	112583500/0	Lasbricka	Grower	
3	4	112523070/0	Bricka	Washer	
4	4	322735547/0	Höjjustering sektor	Sector, Height Adjustment	
5	4	381005175/0	Hjulstöd	Support, Wheel	
6	4	481003286/0	Höjdställningsspak	Lever, Height Adjustment	
7	4	122519811/0	Stift	Pin	
8	1	381004734/0	Chassi-gra	Grey Deck	



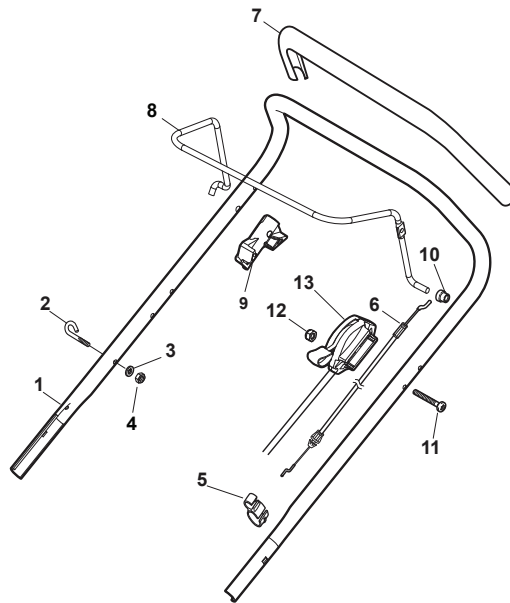
Utgåva Issue 3 - 2015		Remskydd Protection, Belt			
Pos. Fig.	Antal Quantity	Art nr Part No	Benämning	Description	Anmärkning Notes
4	3	112728530/0	Skruv	Screw	
5	1	322060220/0	Remskydd	Belt Protection	



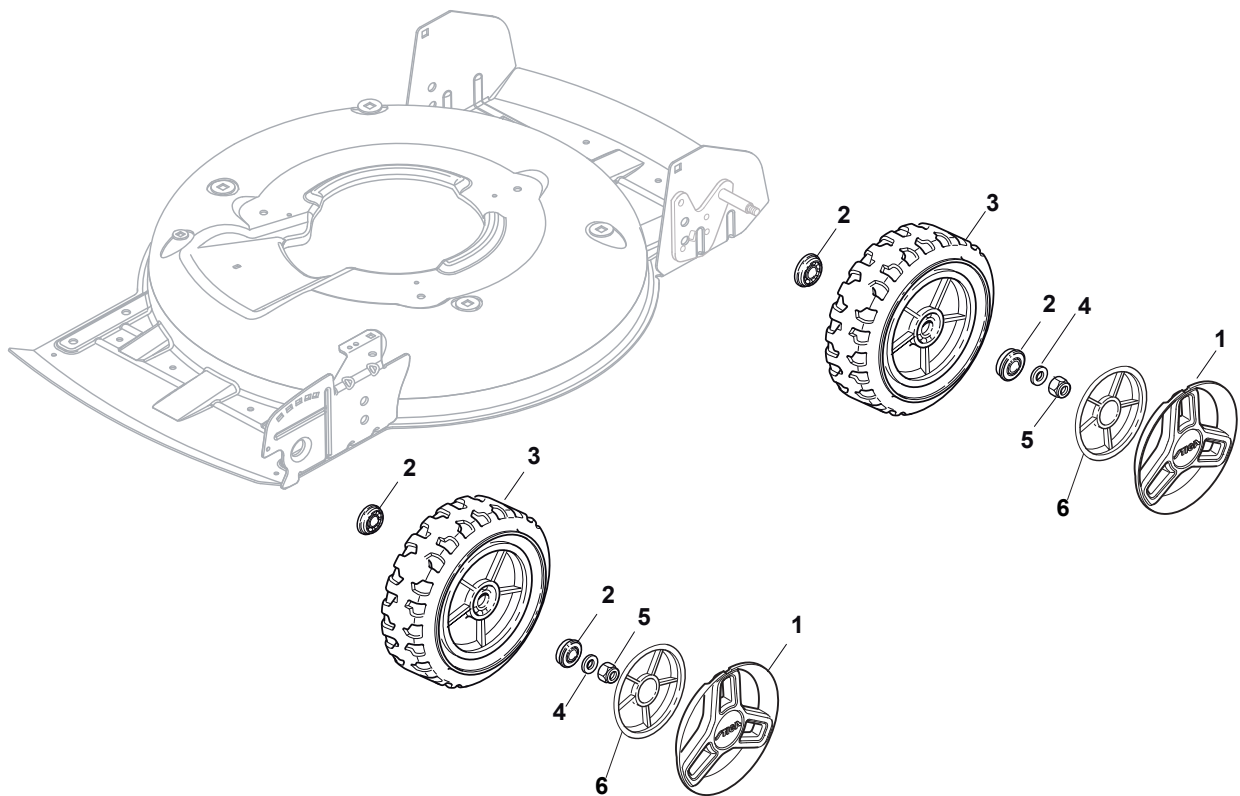
Utgåva Issue 3 - 2015		Mask			
Pos. Fig.	Antal Quantity	Art nr Part No	Benämning	Description	Anmärkning Notes
1	1	322226197/0	Front Gra Ncs S8000-N	Mask, Grey	
2	2	112728450/0	Skruv	Screw	
3	1	322778421/0	Fäste-vä	Left Bracket	
6	4	112792611/0	Skruv	Screw	
7	1	322778419/0	Fäste-hö	Right Bracket	
8	4	112293201/0	Mutter	Nut	
9	2	112815200/0	Skruv	Screw	
10	2	322020400/0	Kabalfäste	Fairlead	
11	2	112728523/0	Skruv	Screw	
12	2	112292102/0	Mutter	Nut	
13	1	133320506/0	Kabalfäste	Fairlead	



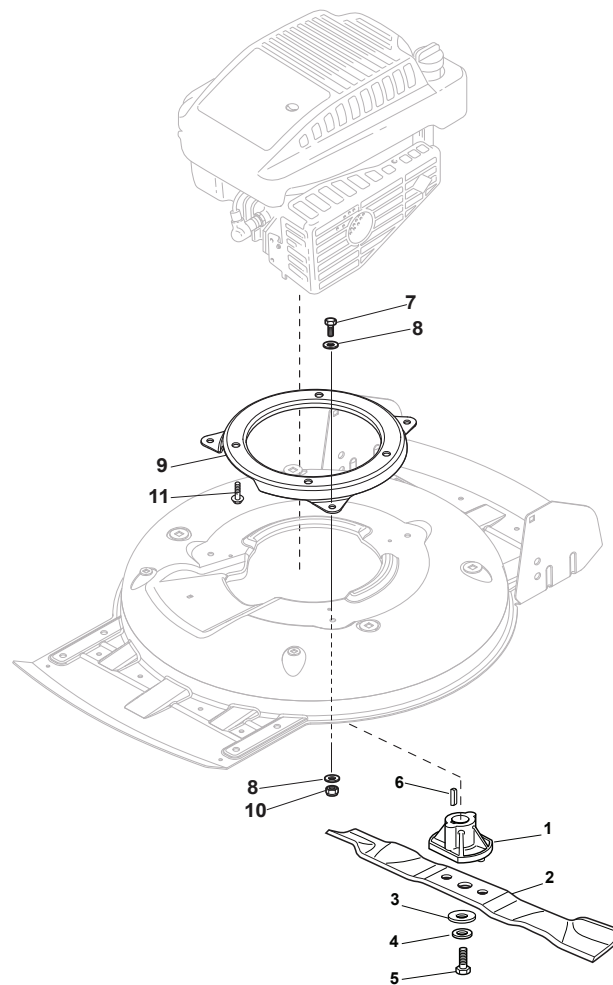
Utgåva Issue 3 - 2015		Reglage, nedre Handle, Lower Part			
Pos. Fig.	Antal Quantity	Art nr Part No	Benämning	Description	Anmärkning Notes
1	1	381006677/0	Styre-underdel	Handle Lower Part	
2	2	118566110/0	Plugg	Push Rod	
3	4	112818900/0	Skruv	Screw	
4	4	112155000/0	Mutter	Nut	
5	4	118203854/0	Skruv	Screw	
6	2	112819100/0	Skruv	Screw	
7	2	112819201/0	Skruv	Screw	
8	4	122671651/0	Bricka	Washer	
9	4	322399804/1	Knopp	Knob	
10	4	112293200/0	Mutter	Nut	
11	1	381007542/0	Handtag	Handle Middle Part	
12	1	122430313/0	Fjäder	Guide Spring	
13	1	112819201/0	Skruv	Screw	
14	1	118390020/0	Vajerhallare	Conduit Clip Caproeurope	
15	2	112521370/0	Bricka	Washer	



Utgåva Issue 3 - 2015		Reglage, övre Handle, Upper Part			
Pos. Fig.	Antal Quantity	Art nr Part No	Benämning	Description	Anmärkning Notes
1	1	381007543/0	Handtag, övre kpl	Handle Upper Part	
2	1	122430313/0	Fjäder	Guide Spring	
3	1	112521330/0	Bricka	Washer	
4	1	112154510/0	Mutter	Nut	
5	1	118390020/0	Vajerhallare	Conduit Clip Caproeurope	
6	1	181030056/0	Motorbromswire	Cable, Thread Engine Brake	Honda / B&S / GGP Engine
7	1	122291050/0	Handtag, svart	Handgrip Black	
9	1	322545204/0	Vridpunkt	Fulcrum Pin	
10	2	122041966/0	Bussning	Bushing	
11	1	112727783/0	Skruv	Screw	
12	1	112154510/0	Mutter	Nut	
13	1	181005517/0	Gasreglage	Throttle Cable	Honda / GGP Engine



Utgåva Issue 3 - 2015		Hjul och navkapsel Wheels and Hub Caps			
Pos. Fig.	Antal Quantity	Art nr Part No	Benämning	Description	Anmärkning Notes
6	4	322110756/0	Navkapsel Kapa	Hub Cap Cover	
1	4	322110755/0	Navkapsel Gra	Hub Cap Grey	Grey
2	8	119216035/0	Lager	Bearing	
3	4	381007490/0	Hjul	Wheel	
4	4	112521350/0	Bricka	Washer	
5	4	112155000/0	Mutter	Nut	



Utgåva Issue 3 - 2015		Kniv Blade			
Pos. Fig.	Antal Quantity	Art nr Part No	Benämning	Description	Anmärkning Notes
1	1	122463012/2	Knivfäste	Hub, Crankshaft Ø 22.2	
2	1	181004146/0	Kniv	Blade Standard	
3	1	122160400/0	Fjäderbricka	Elastic Disc	
4	1	112523080/0	Bricka	Washer	
5	1	112735698/0	Skruv	Screw	
6	1	112139100/0	Kil	Key	
7	3	112793102/0	Skruv	Screw	
8	6	112523060/0	Bricka	Washer	
9	1	322207219/1	Motorfläns Svart	Flange	
10	3	112155000/0	Mutter	Nut	

code	pos.	q.ty	page
112139100/0	6	1	p. 15
112154510/0	4	1	p. 11
112154510/0	12	1	p. 11
112155000/0	4	4	p. 9
112155000/0	5	4	p. 13
112155000/0	10	3	p. 15
112292102/0	12	2	p. 7
112293200/0	1	4	p. 3
112293200/0	10	4	p. 9
112293201/0	8	4	p. 7
112521330/0	3	1	p. 11
112521350/0	4	4	p. 13
112521370/0	15	2	p. 9
112523060/0	8	6	p. 15
112523070/0	3	4	p. 3
112523080/0	4	1	p. 15
112583500/0	2	4	p. 3
112727783/0	11	1	p. 11
112728450/0	2	2	p. 7
112728523/0	11	2	p. 7
112728530/0	4	3	p. 5
112735698/0	5	1	p. 15
112792611/0	6	4	p. 7
112793102/0	7	3	p. 15
112815200/0	9	2	p. 7
112818900/0	3	4	p. 9
112819100/0	6	2	p. 9
112819201/0	7	2	p. 9
112819201/0	13	1	p. 9
118203854/0	5	4	p. 9
118390020/0	5	1	p. 11
118390020/0	14	1	p. 9
118566110/0	2	2	p. 9
119216035/0	2	8	p. 13
122041966/0	10	2	p. 11
122160400/0	3	1	p. 15
122291050/0	7	1	p. 11
122430313/0	2	1	p. 11
122430313/0	12	1	p. 9
122463012/2	1	1	p. 15
122519811/0	7	4	p. 3
122671651/0	8	4	p. 9
133320506/0	13	1	p. 7
181004146/0	2	1	p. 15
181005517/0	13	1	p. 11
181030056/0	6	1	p. 11
322020400/0	10	2	p. 7
322060220/0	5	1	p. 5
322110755/0	1	4	p. 13
322110756/0	6	4	p. 13
322207219/1	9	1	p. 15
322226197/0	1	1	p. 7
322399804/1	9	4	p. 9
322545204/0	9	1	p. 11
322735547/0	4	4	p. 3
322778419/0	7	1	p. 7
322778421/0	3	1	p. 7
381004734/0	8	1	p. 3
381005175/0	5	4	p. 3
381006677/0	1	1	p. 9
381007490/0	3	4	p. 13
381007542/0	11	1	p. 9
381007543/0	1	1	p. 11
481003286/0	6	4	p. 3