



## **Reservdelskatalog Parts Catalogue**

# **MULTICLIP 50 SE**

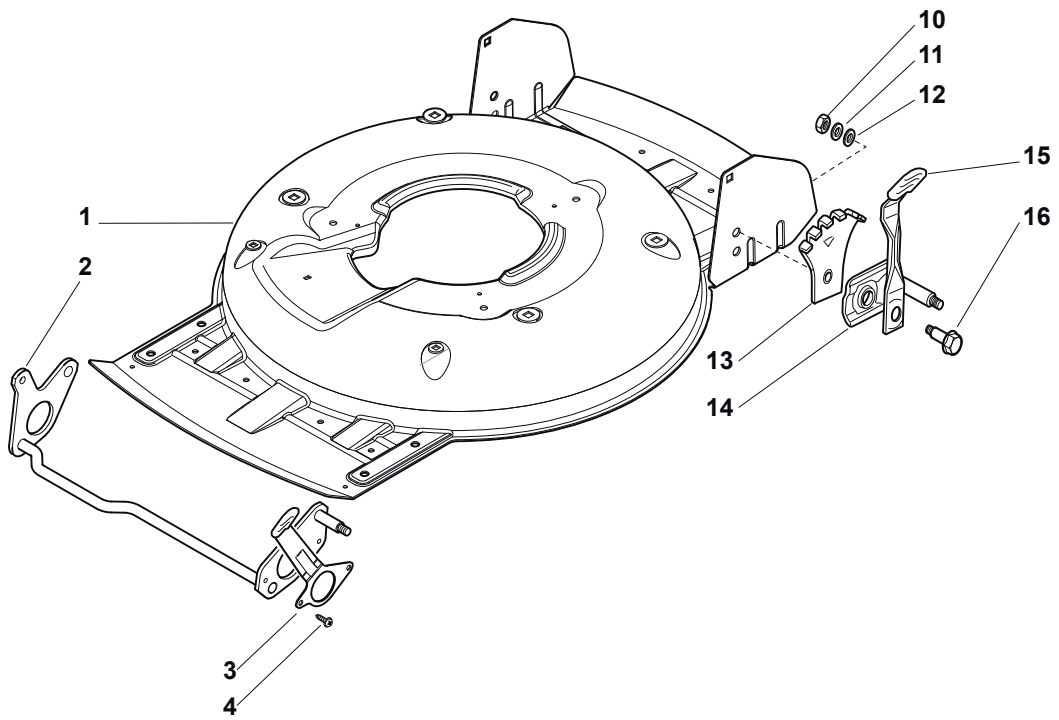
**291502548/S14 - Season 2015**

- Use GLOBAL GARDEN PRODUCT Genuine Spare Parts specified in the parts list for repair and/or replacement.
  - The contents described in the parts list may change due to improvement.
  - The drawings of the spare parts are only indicative and might not represent the part in question exactly.
  - The indications "right" - "left" - "front" - "rear" refer to the position of the operator when using the machine.
- When placing orders of parts for repair and/or replacement, make sure that the illustrated parts list is the one applying to the machine's year of manufacture, as shown on the identification plate attached to the machine.

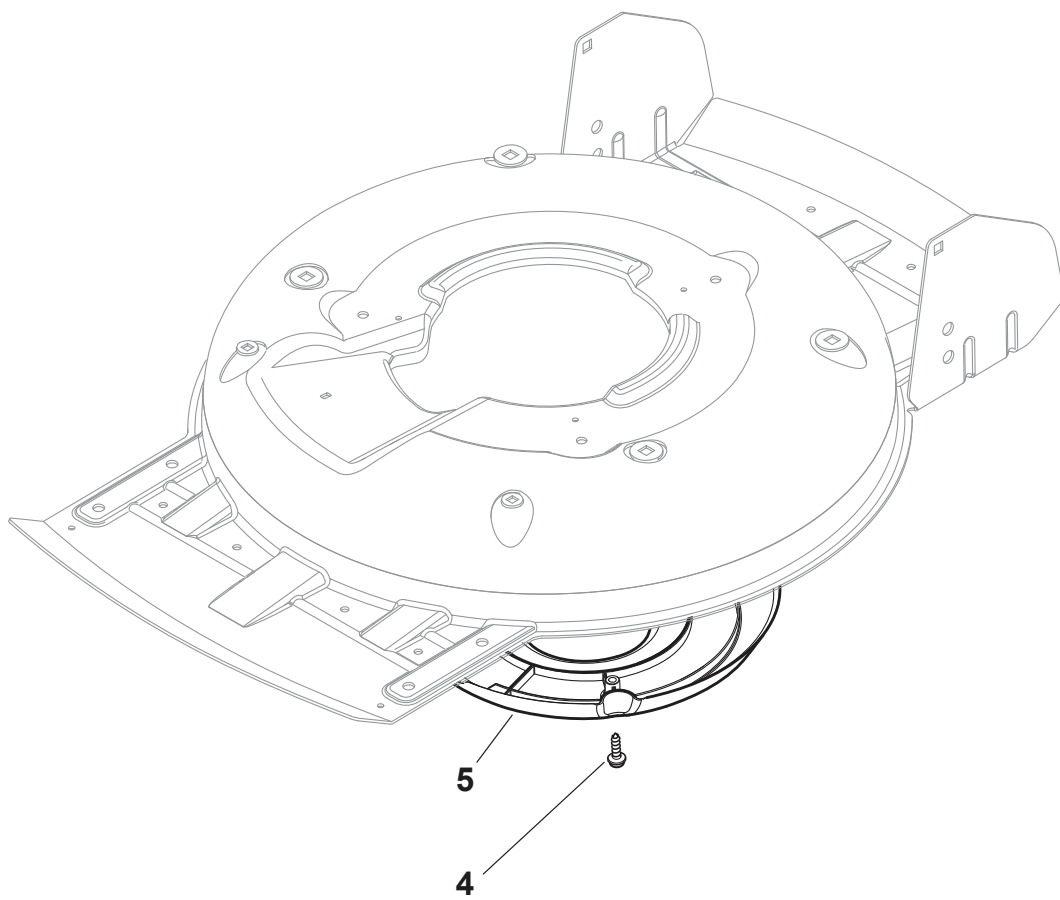
© Copyright 2015 Global Garden Products

All rights reserved. No part of this material may be reproduced or transmitted, in any form or by any means, electronic or mechanical, including photocopying, recording or by any information storage and retrieval system, without permission in writing from GLOBAL GARDEN PRODUCTS.

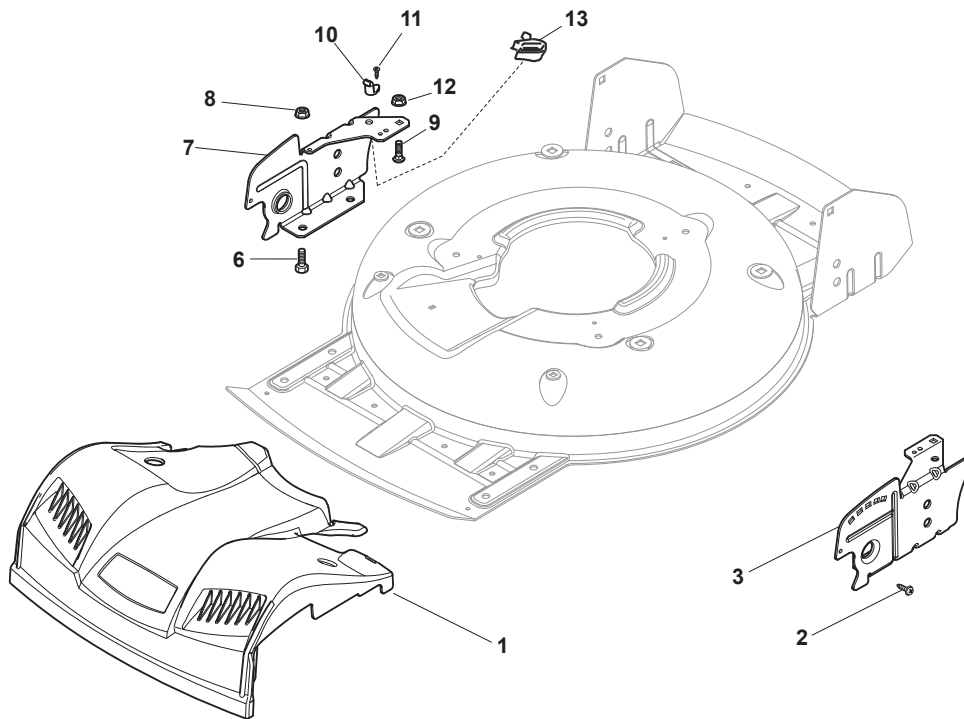
[www.stiga.com](http://www.stiga.com)



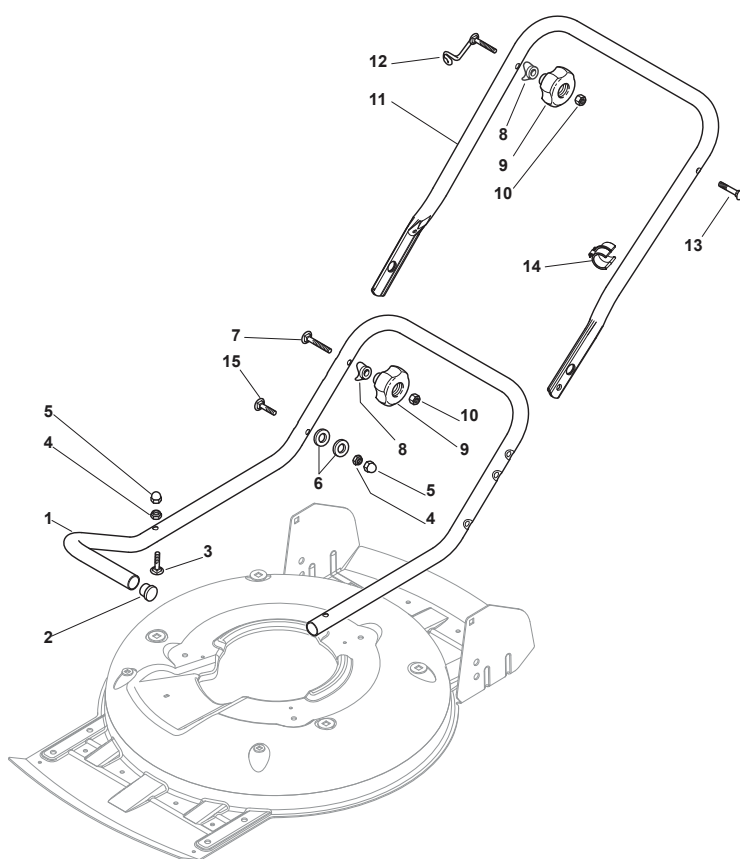
Utgåva Issue 3 - 2015		Kapa och höjdställning Deck And Height Adjusting			
Pos. Fig.	Antal Quantity	Art nr Part No	Benämning	Description	Anmärkning Notes
3	1	322321546/0	Spak	Lever	
1	1	381004734/0	Chassi-gra	Grey Deck	
2	1	381302863/0	Axel, Framhjul	Axle, Front Wheels	
4	2	112735661/0	Skruv	Screw	
10	2	112293200/0	Mutter	Nut	
11	2	112583500/0	Lasbricka	Grower	
12	2	112523070/0	Bricka	Washer	
13	2	322735547/0	Höjjustering sektor	Sector, Height Adjustment	
14	2	381005175/0	Hjulstöd	Support, Wheel	
15	2	481003286/0	Höjdställningsspak	Lever, Height Adjustment	
16	2	122519811/0	Stift	Pin	



Utgåva Issue 3 - 2015		Remskydd Protection, Belt			
Pos. Fig.	Antal Quantity	Art nr Part No	Benämning	Description	Anmärkning Notes
4	3	112728530/0	Skruv	Screw	
5	1	322060220/0	Remskydd	Belt Protection	

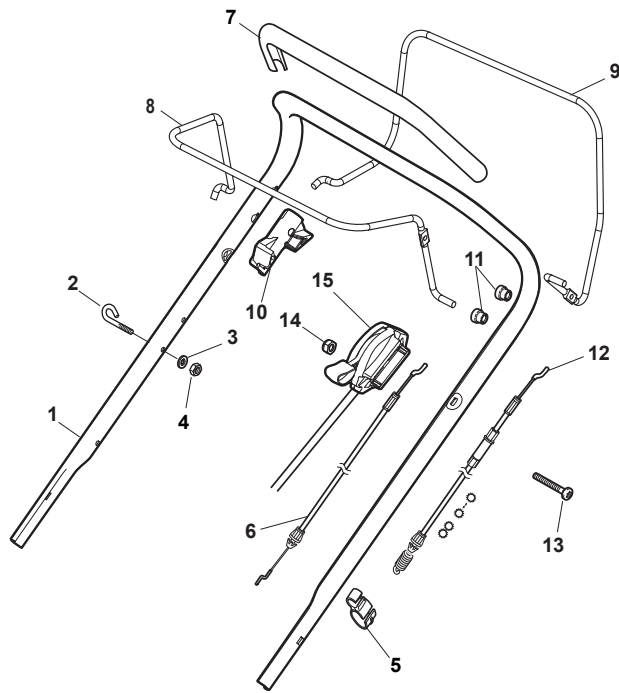


Utgåva Issue 3 - 2015		Mask			
Pos. Fig.	Antal Quantity	Art nr Part No	Benämning	Description	Anmärkning Notes
1	1	322226197/0	Front Gra Ncs S8000-N	Mask, Grey	
2	2	112728450/0	Skruv	Screw	
3	1	322778421/0	Fäste-vä	Left Bracket	
6	4	112792611/0	Skruv	Screw	
7	1	322778419/0	Fäste-hö	Right Bracket	
8	4	112293201/0	Mutter	Nut	
9	2	112815200/0	Skruv	Screw	
10	2	322020400/0	Kabalfäste	Fairlead	
11	2	112728523/0	Skruv	Screw	
12	2	112292102/0	Mutter	Nut	
13	1	133320506/0	Kabalfäste	Fairlead	

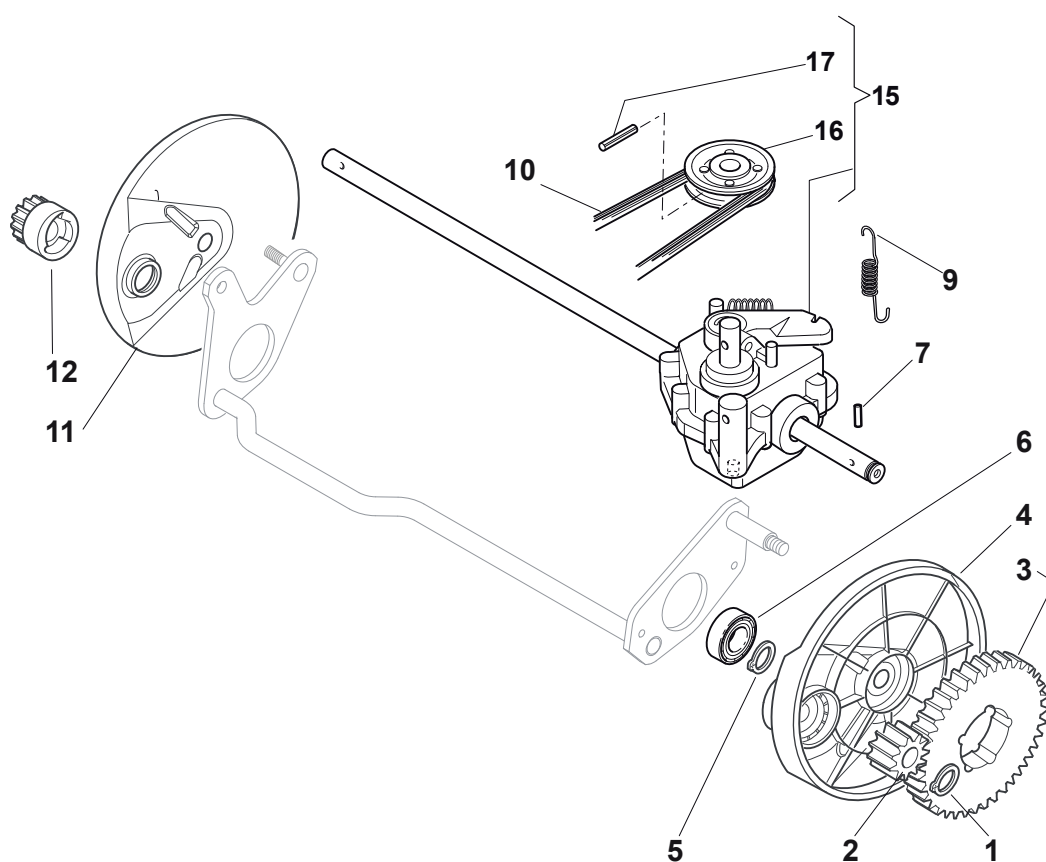




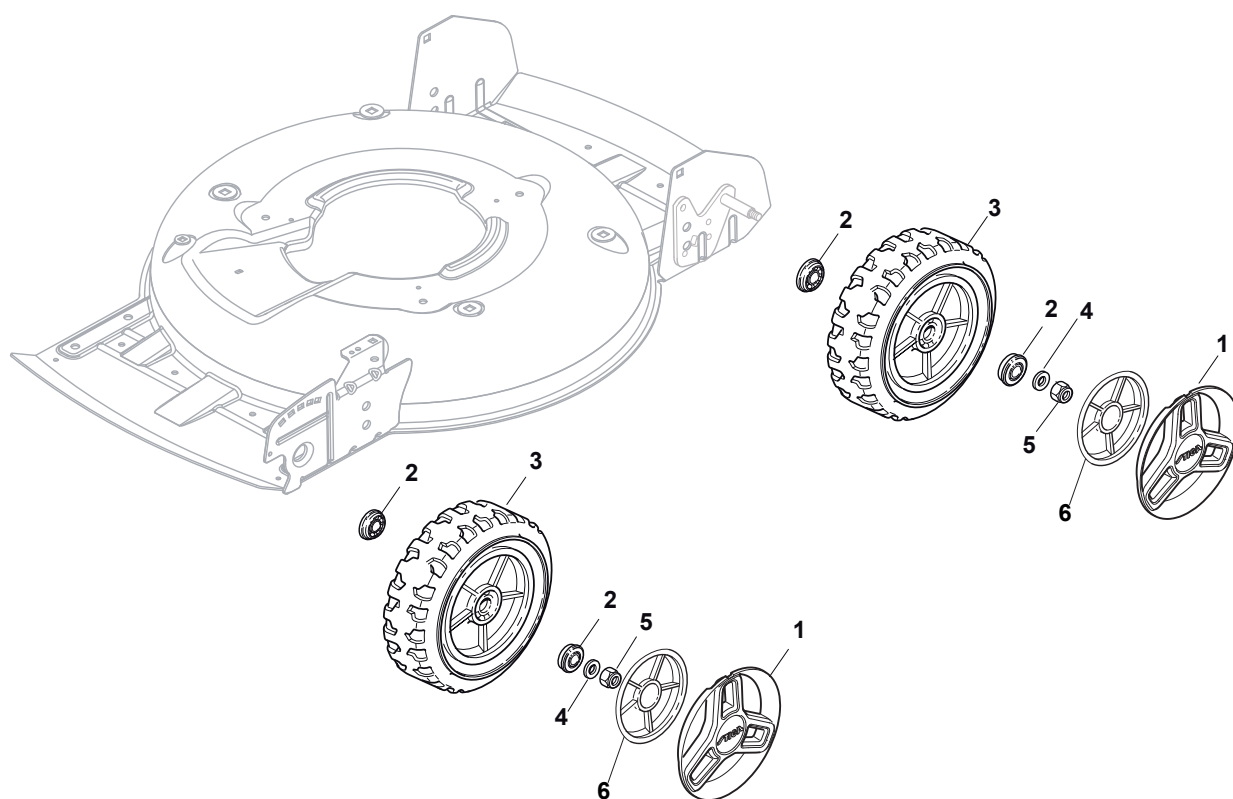
Utgåva Issue 3 - 2015		Reglage, nedre Handle, Lower Part			
Pos. Fig.	Antal Quantity	Art nr Part No	Benämning	Description	Anmärkning Notes
1	1	381006677/0	Styre-underdel	Handle Lower Part	
2	2	118566110/0	Plugg	Push Rod	
3	4	112818900/0	Skruv	Screw	
4	4	112155000/0	Mutter	Nut	
5	4	118203854/0	Skruv	Screw	
6	2	112819100/0	Skruv	Screw	
7	2	112819201/0	Skruv	Screw	
8	4	122671651/0	Bricka	Washer	
9	4	322399804/1	Knopp	Knob	
10	4	112293200/0	Mutter	Nut	
11	1	381007542/0	Handtag	Handle Middle Part	
12	1	122430313/0	Fjäder	Guide Spring	
13	1	112819201/0	Skruv	Screw	
14	1	118390020/0	Vajerhallare	Conduit Clip Caproeurope	
15	2	112521370/0	Bricka	Washer	



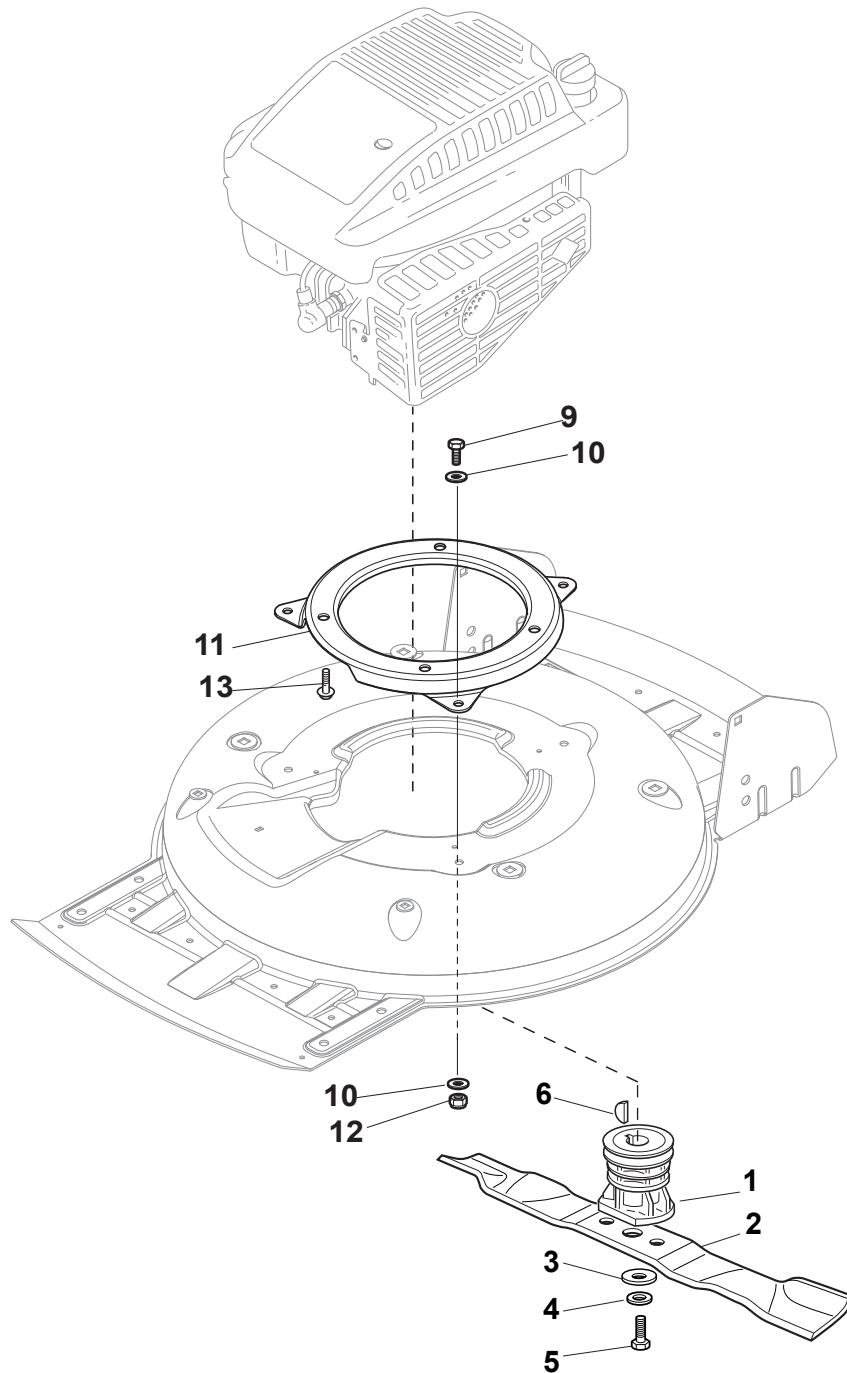
Utgåva Issue 3 - 2015		Reglage, övre Handle, Upper Part			
Pos. Fig.	Antal Quantity	Art nr Part No	Benämning	Description	Anmärkning Notes
12	1	381030096/1	Drivwire	Cable Rear Drive	
1	1	381007543/0	Handtag, övre	Handle, Upper Part	
2	1	122430313/0	Fjäder	Guide Spring	
3	1	112521330/0	Bricka	Washer	
4	1	112154510/0	Mutter	Nut	
5	1	118390020/0	Vajerhallare	Conduit Clip Caproeuope	
6	1	181030056/0	Motorbromswire	Cable, Thread Engine Brake	Honda / B&S / GGP Engine
7	1	122291050/0	Handtag, svart	Handgrip Black	
8	1	181003300/1	Reglagebygel	Lever, Engine Brake	
9	1	181003301/0	Spak Handtag	Drive Control Lever	
10	1	322545204/0	Vridpunkt	Fulcrum Pin	
11	4	122041966/0	Bussning	Bushing	
13	1	112727783/0	Skruv	Screw	
14	1	112154510/0	Mutter	Nut	
15	1	181005517/0	Gasreglage	Throttle Cable	Honda / GGP Engine



Utgåva Issue 3 - 2015		Bakhjulsdrivning		Transmission	
Pos. Fig.	Antal Quantity	Art nr Part No	Benämning	Description	Anmärkning Notes
15	1	181003109/1	Transmission	Gear Box	
1	2	112608600/0	Segersäkringsåkring	Seeger	
2	1	122570120/1	Drev	Pinion Left	
3	2	122120105/1	Kransdrev	Ring Gear	
4	1	322600267/0	Plasthjulsskydd	Protection, Wheel	
5	2	112608600/0	Segersäkringsåkring	Seeger	
6	2	119216035/0	Lager	Bearing	
7	2	122753000/0	Spännstift	Pin	
9	1	122450439/0	Fjäder	Spring	
10	1	135064100/0	Drivrem	Belt	
11	1	322600267/0	Plasthjulsskydd	Protection, Wheel	
12	1	122570110/1	Drev	Pinion Right	
16	1	122601909/0	Remskiva	Pulley	
17	1	112645705/0	Spännstift	Elastic Pin	



Utgåva Issue 3 - 2015		Hjul och navkapsel Wheels and Hub Caps			
Pos. Fig.	Antal Quantity	Art nr Part No	Benämning	Description	Anmärkning Notes
6	4	322110756/0	Navkapsel Kapa	Hub Cap Cover	
1	4	322110755/0	Navkapsel Gra	Hub Cap Grey	Grey
2	8	119216035/0	Lager	Bearing	
3	4	381007490/0	Hjul	Wheel	
4	4	112521350/0	Bricka	Washer	
5	4	112155000/0	Mutter	Nut	





Utgåva Issue 3 - 2015		Kniv Blade			
Pos. Fig.	Antal Quantity	Art nr Part No	Benämning	Description	Anmärkning Notes
1	1	122465607/3	Knivfäste D22,2	Hub With Pulley, Crankshaft Ø 22.2	
2	1	181004146/0	Kniv	Blade Standard	
3	1	122160400/0	Fjäderbricka	Elastic Disc	
4	1	112523080/0	Bricka	Washer	
5	1	112735698/0	Skruv	Screw	
6	1	112139100/0	Kil	Key	
9	3	112793102/0	Skruv	Screw	
10	6	112523060/0	Bricka	Washer	
11	1	322207219/1	Motorfläns Svart	Flange	
12	3	112155000/0	Mutter	Nut	

code	pos.	q.ty	page				
112139100/0	6	1	p. 17	322226197/0	1	1	p. 7
112154510/0	4	1	p. 11	322321546/0	3	1	p. 3
112154510/0	14	1	p. 11	322399804/1	9	4	p. 9
112155000/0	4	4	p. 9	322545204/0	10	1	p. 11
112155000/0	5	4	p. 15	322600267/0	4	1	p. 13
112155000/0	12	3	p. 17	322600267/0	11	1	p. 13
112292102/0	12	2	p. 7	322735547/0	13	2	p. 3
112293200/0	10	2	p. 3	322778419/0	7	1	p. 7
112293200/0	10	4	p. 9	322778421/0	3	1	p. 7
112293201/0	8	4	p. 7	381004734/0	1	1	p. 3
112521330/0	3	1	p. 11	381005175/0	14	2	p. 3
112521350/0	4	4	p. 15	381006677/0	1	1	p. 9
112521370/0	15	2	p. 9	381007490/0	3	4	p. 15
112523060/0	10	6	p. 17	381007542/0	11	1	p. 9
112523070/0	12	2	p. 3	381007543/0	1	1	p. 11
112523080/0	4	1	p. 17	381030096/1	12	1	p. 11
112583500/0	11	2	p. 3	381302863/0	2	1	p. 3
112608600/0	1	2	p. 13	481003286/0	15	2	p. 3
112608600/0	5	2	p. 13				
112645705/0	17	1	p. 13				
112727783/0	13	1	p. 11				
112728450/0	2	2	p. 7				
112728523/0	11	2	p. 7				
112728530/0	4	3	p. 5				
112735661/0	4	2	p. 3				
112735698/0	5	1	p. 17				
112792611/0	6	4	p. 7				
112793102/0	9	3	p. 17				
112815200/0	9	2	p. 7				
112818900/0	3	4	p. 9				
112819100/0	6	2	p. 9				
112819201/0	7	2	p. 9				
112819201/0	13	1	p. 9				
118203854/0	5	4	p. 9				
118390020/0	5	1	p. 11				
118390020/0	14	1	p. 9				
118566110/0	2	2	p. 9				
119216035/0	2	8	p. 15				
119216035/0	6	2	p. 13				
122041966/0	11	4	p. 11				
122120105/1	3	2	p. 13				
122160400/0	3	1	p. 17				
122291050/0	7	1	p. 11				
122430313/0	2	1	p. 11				
122430313/0	12	1	p. 9				
122450439/0	9	1	p. 13				
122465607/3	1	1	p. 17				
122519811/0	16	2	p. 3				
122570110/1	12	1	p. 13				
122570120/1	2	1	p. 13				
122601909/0	16	1	p. 13				
122671651/0	8	4	p. 9				
122753000/0	7	2	p. 13				
133320506/0	13	1	p. 7				
135064100/0	10	1	p. 13				
181003109/1	15	1	p. 13				
181003300/1	8	1	p. 11				
181003301/0	9	1	p. 11				
181004146/0	2	1	p. 17				
181005517/0	15	1	p. 11				
181030056/0	6	1	p. 11				
322020400/0	10	2	p. 7				
322060220/0	5	1	p. 5				
322110755/0	1	4	p. 15				
322110756/0	6	4	p. 15				
322207219/1	11	1	p. 17				