



Reservdelskatalog Parts Catalogue

MULTICLIP PRO 50

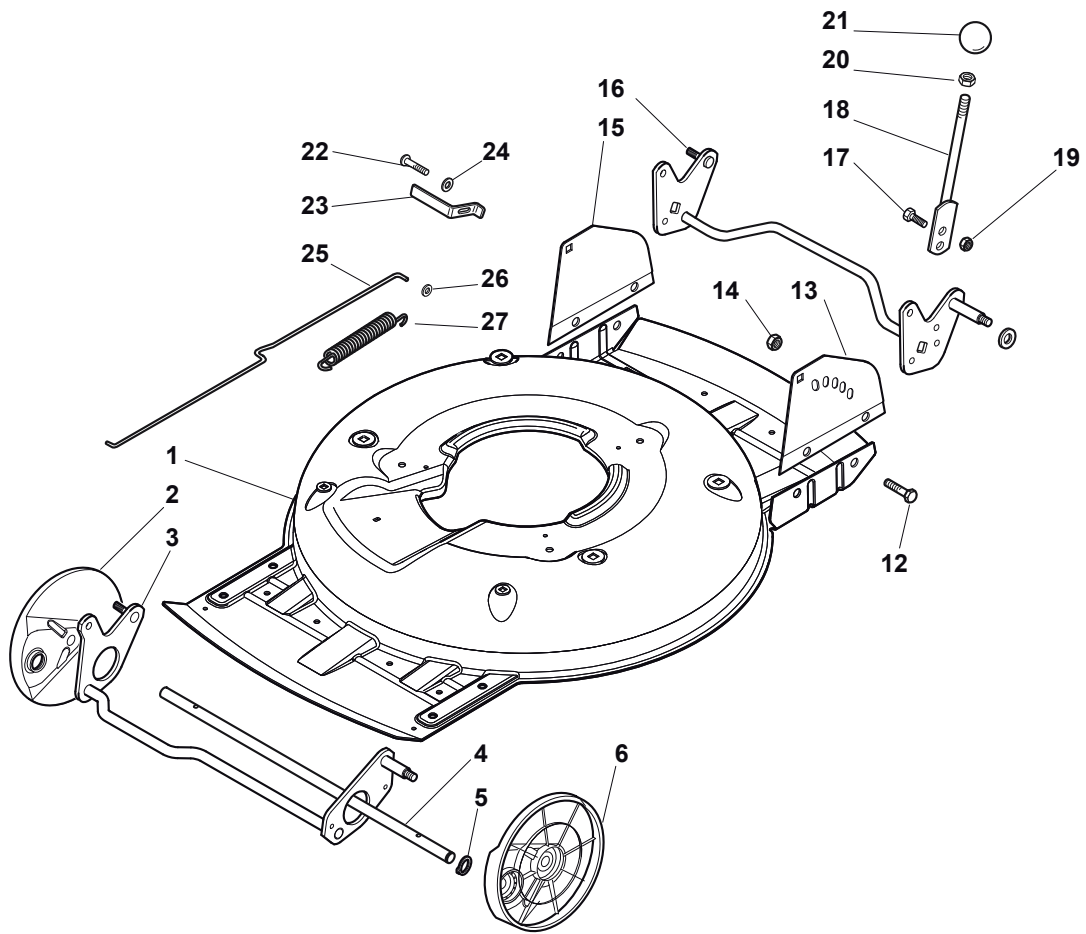
291501138/S16 - Season 2016

- Use GLOBAL GARDEN PRODUCT Genuine Spare Parts specified in the parts list for repair and/or replacement.
 - The contents described in the parts list may change due to improvement.
 - The drawings of the spare parts are only indicative and might not represent the part in question exactly.
 - The indications "right" - "left" - "front" - "rear" refer to the position of the operator when using the machine.
- When placing orders of parts for repair and/or replacement, make sure that the illustrated parts list is the one applying to the machine's year of manufacture, as shown on the identification plate attached to the machine.

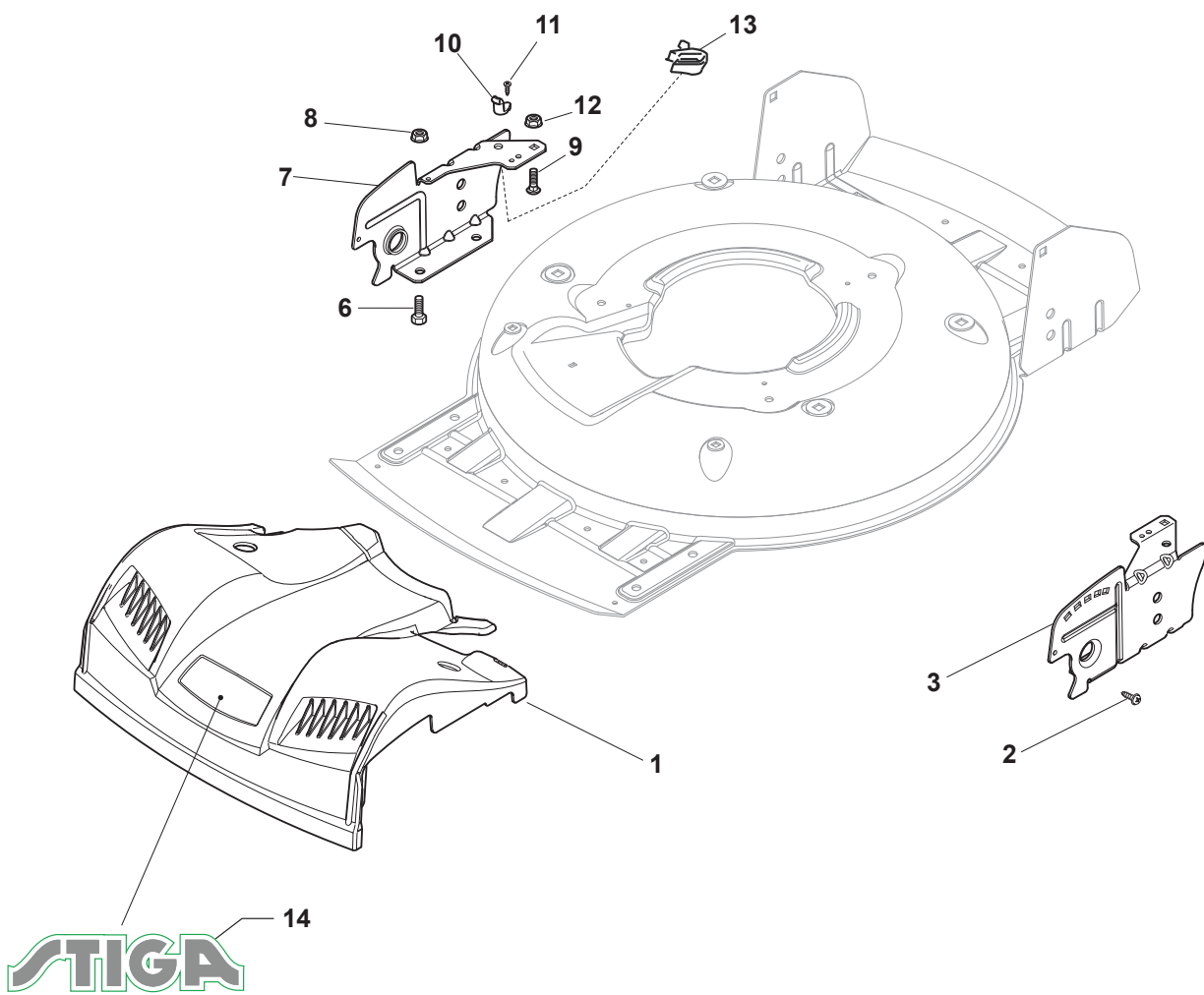
© Copyright 2016 Global Garden Products

All rights reserved. No part of this material may be reproduced or transmitted, in any form or by any means, electronic or mechanical, including photocopying, recording or by any information storage and retrieval system, without permission in writing from GLOBAL GARDEN PRODUCTS.

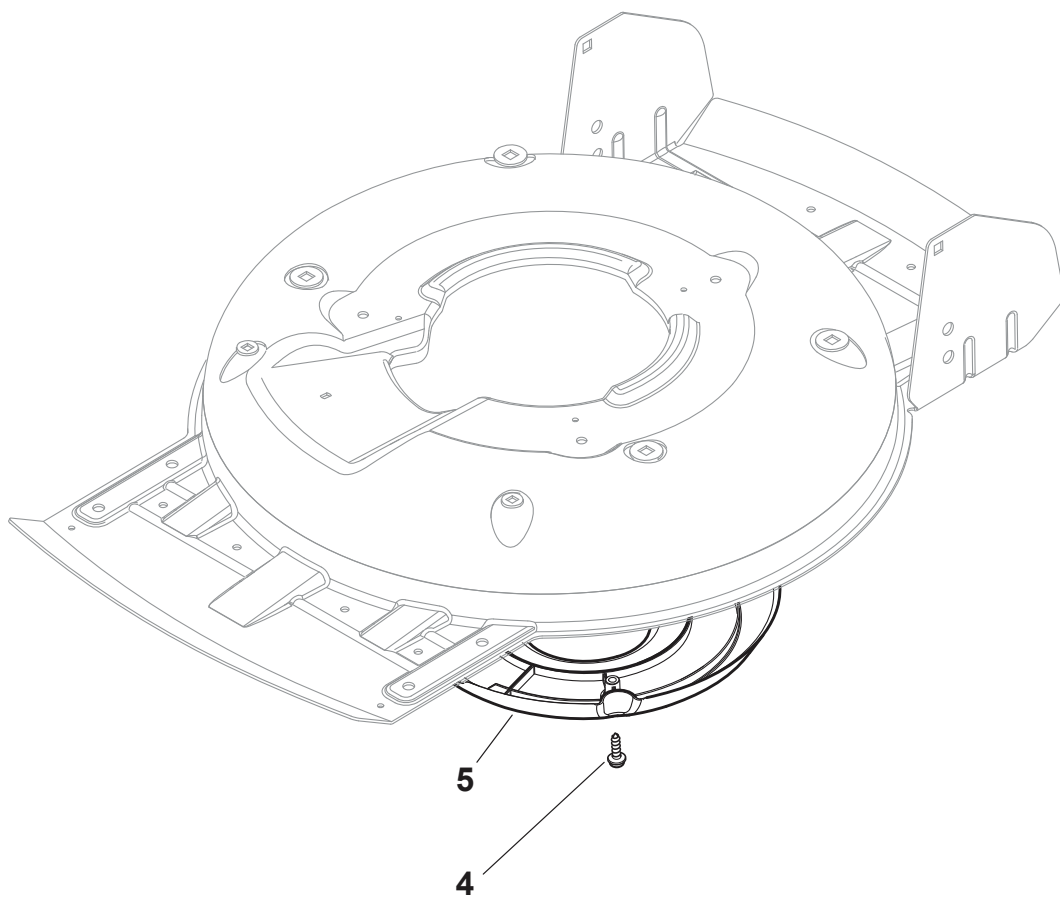
www.stiga.com



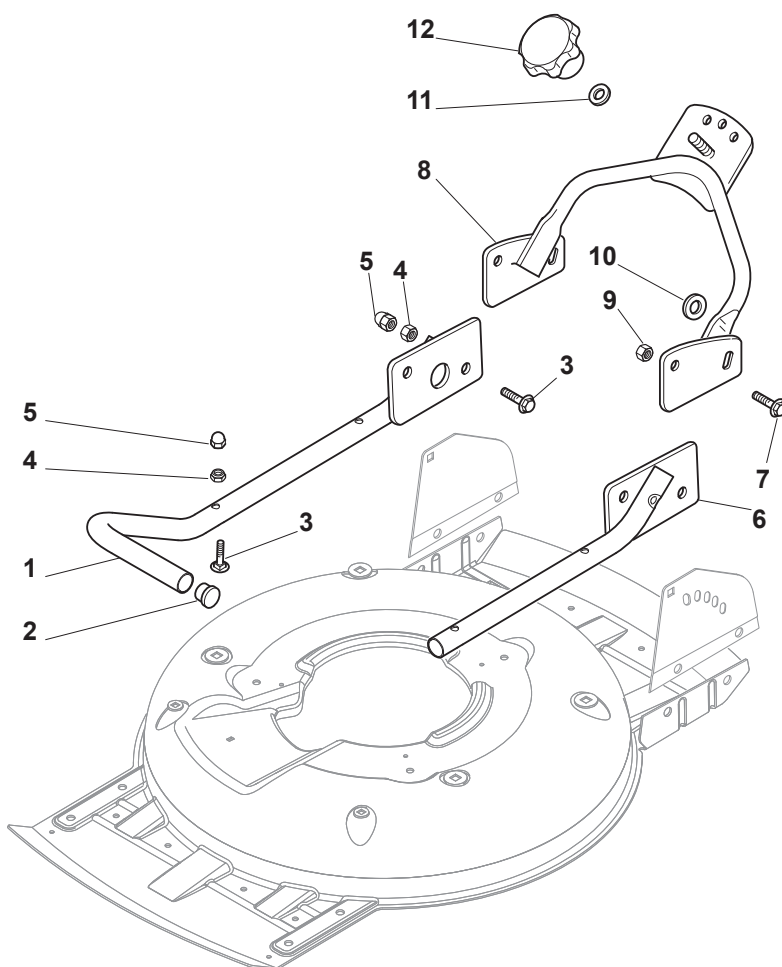
| Utgåva Issue 2 - 2016 | | Kapa och höjdställning Deck And Height Adjusting | | | |
|-----------------------------|---------------|---|---------------------|--------------------------|---------------------|
| Pos. Fig. | Antal Q.ty | Art nr Part No | Benämning | Description | Anmärkning Notes |
| 1 | 1 | 381004735/0 | Chassi-gra | Grey Deck | |
| 2 | 1 | 122600093/0 | Hjulskydd | Left Wheel Protection | |
| 3 | 1 | 381302863/0 | Axel, Framhjul | Axle, Front Wheels | |
| 4 | 1 | 322033397/0 | Hjulaxel-fram | Front Wheel Axle | |
| 5 | 2 | 122020050/0 | Lasbricka | Ring | |
| 6 | 1 | 122600092/0 | Stänkskärm | Right Wheel Protection | |
| 12 | 4 | 112791011/0 | Skruv | Screw | |
| 13 | 1 | 381545105/0 | Plat | Left Plate | |
| 14 | 4 | 112154510/0 | Mutter | Nut | |
| 15 | 1 | 381545104/0 | Plat | Right Plate | |
| 16 | 1 | 381302861/1 | Hjulaxel-bakre | Axle, Rear Wheels | |
| 17 | 2 | 112789000/0 | Skruv | Screw | |
| 18 | 1 | 381003323/0 | Höjdställningsspak | Lever, Height Adjustment | |
| 19 | 2 | 112154330/0 | Mutter | Nut | |
| 20 | 1 | 112293200/0 | Mutter | Nut | |
| 21 | 1 | 322399812/0 | Knopp | Knob | |
| 22 | 2 | 112735661/0 | Skruv | Screw | |
| 23 | 2 | 322551529/0 | Hjulrensare | Wheels Cleaning Plate | |
| 24 | 2 | 112521330/0 | Bricka | Washer | |
| 25 | 1 | 122033329/0 | Höjdställn.stang | Rod, Height Adjustment | |
| 26 | 2 | 112604899/0 | Starlock P6704 8 Fz | Crown Fastener | |
| 27 | 1 | 122446184/0 | Fjäder | Spring | |



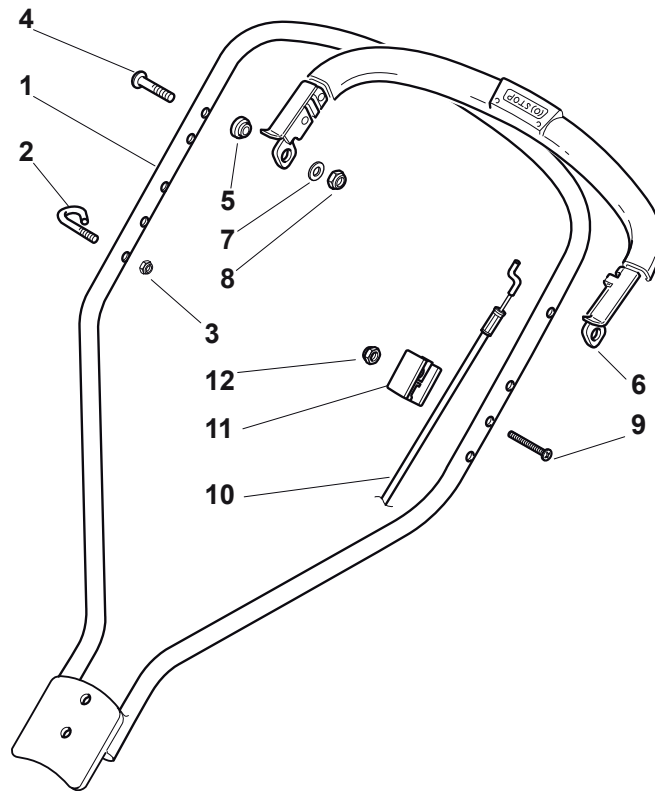
| Utgåva Issue 2 - 2016 | | Mask | | | |
|-----------------------------|---------------|-------------------|------------------|------------------|---------------------|
| Pos. Fig. | Antal Q.ty | Art nr Part No | Benämning | Description | Anmärkning Notes |
| 1 | 1 | 322226197/0 | Frontal gra | Mask, Grey | |
| 2 | 2 | 112728450/0 | Skruv | Screw | |
| 3 | 1 | 322778421/0 | Fäste-vä | Left Bracket | |
| 6 | 4 | 112792611/0 | Skruv | Screw | |
| 7 | 1 | 322778419/0 | Fäste-hö | Right Bracket | |
| 8 | 4 | 112293201/0 | Mutter | Nut | |
| 9 | 2 | 112815200/0 | Skruv | Screw | |
| 10 | 2 | 322020400/0 | Kabalfäste | Fairlead | |
| 11 | 2 | 112728523/0 | Skruv | Screw | |
| 12 | 2 | 112292102/0 | Mutter | Nut | |
| 13 | 2 | 133320506/0 | Kabalfäste | Fairlead | |
| 14 | 1 | 114367494/2 | Dekal STIGA logo | Label STIGA logo | |



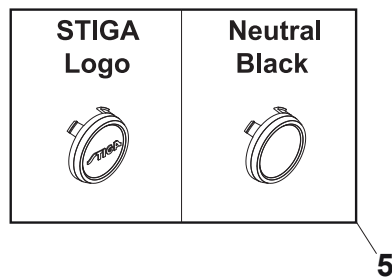
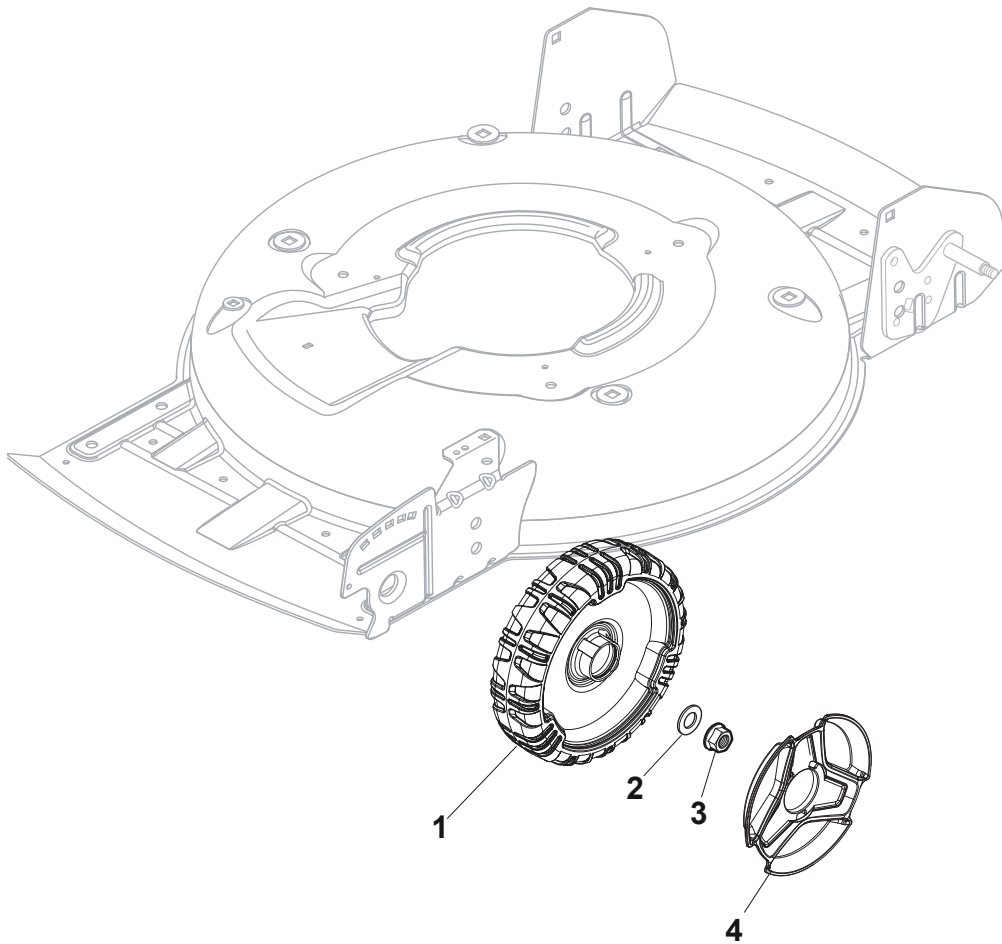
| Utgåva Issue 2 - 2016 | | Remskydd Protection, Belt | | | |
|-----------------------------|---------------|------------------------------|-----------|-----------------|---------------------|
| Pos. Fig. | Antal Q.ty | Art nr Part No | Benämning | Description | Anmärkning Notes |
| 4 | 3 | 112728531/1 | Skruv | Screw | |
| 5 | 1 | 322060220/0 | Remskydd | Belt Protection | |



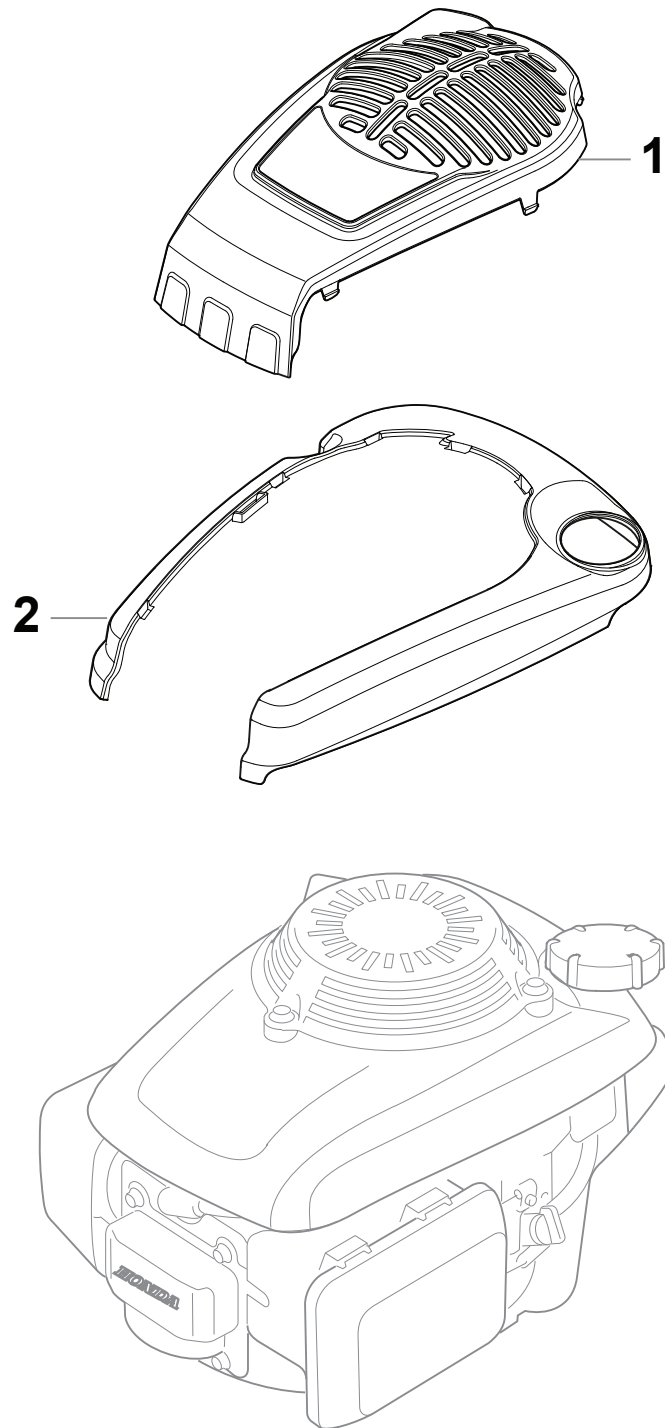
| Utgåva Issue 2 - 2016 | | Reglage, nedre Handle, Lower Part | | | |
|-----------------------------|---------------|--------------------------------------|---------------------|-----------------------------------|---------------------|
| Pos. Fig. | Antal Q.ty | Art nr Part No | Benämning | Description | Anmärkning Notes |
| 1 | 1 | 381006385/0 | Styre-underdel, hö | Handle Lower Part | |
| 2 | 4 | 118566114/0 | Plugg | Cap | |
| 3 | 6 | 112819100/0 | Skruv | Screw | |
| 4 | 6 | 112155000/0 | Mutter | Nut | |
| 5 | 6 | 118203854/0 | Lock | Cap | |
| 6 | 1 | 381006387/0 | Styre-underdel, vä | Grey Left Handle Lower Part Ass.Y | |
| 7 | 4 | 112793102/0 | Skruv | Screw | |
| 8 | 1 | 381006369/0 | Däck Nedre Kpl. Gra | Handle, Middle Part Grey | |
| 9 | 4 | 112155000/0 | Mutter | Nut | |
| 10 | 2 | 112523060/0 | Bricka | Washer | |
| 11 | 1 | 112523080/0 | Bricka | Washer | |
| 12 | 1 | 322399813/0 | Knopp | Knob | |



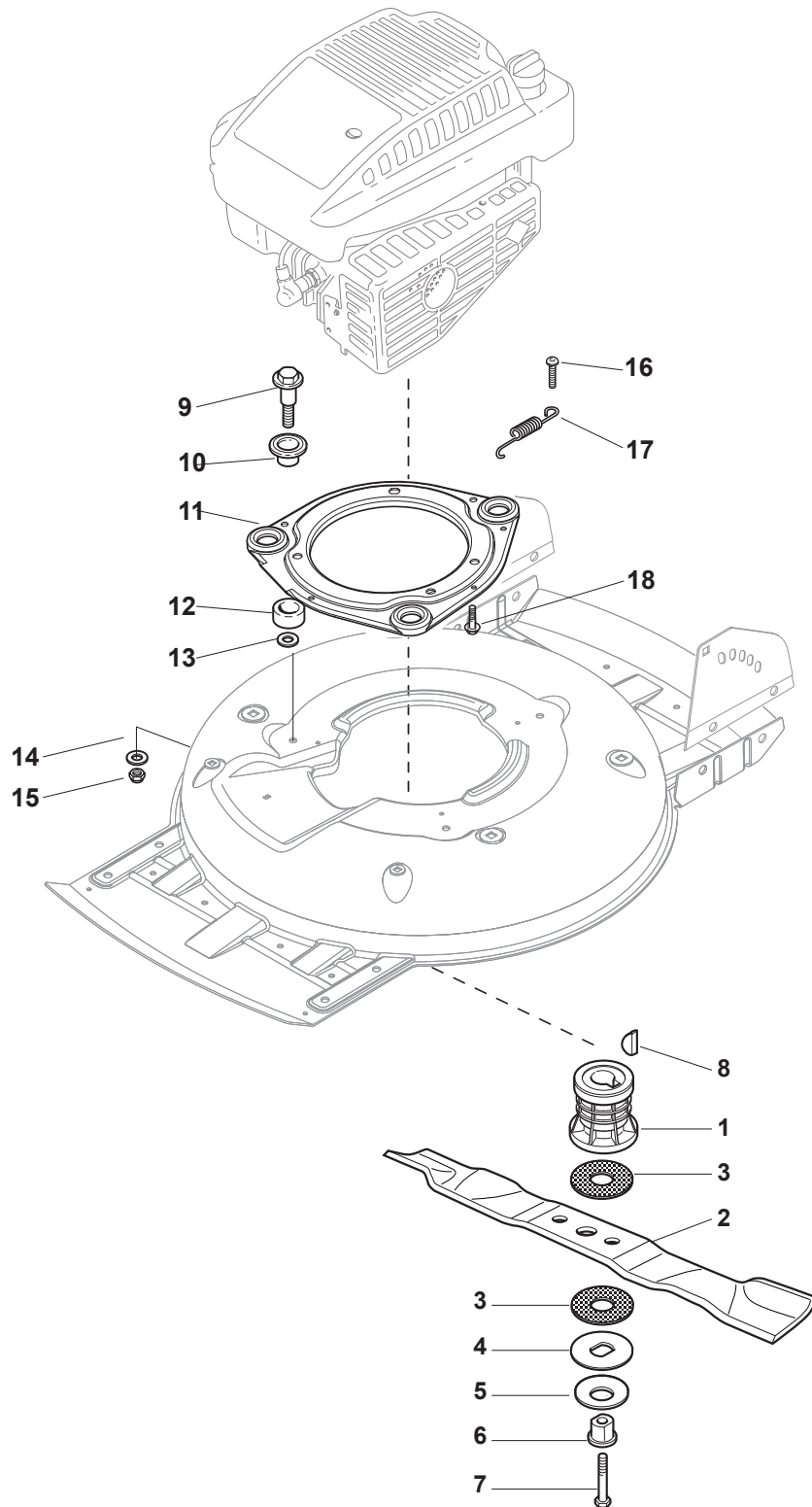
| Utgåva Issue 2 - 2016 | | Reglage, övre Handle, Upper Part | | | |
|-----------------------------|---------------|-------------------------------------|-------------------|----------------------------|---------------------|
| Pos. Fig. | Antal Q.ty | Art nr Part No | Benämning | Description | Anmärkning Notes |
| 1 | 1 | 381006371/0 | Handtag, övre kpl | Handle, Upper Part Grey | Grey |
| 2 | 1 | 122430314/0 | Fjäder | Starting Rope Guide Spring | |
| 3 | 1 | 112154510/0 | Mutter | Nut | |
| 4 | 2 | 112727784/0 | Skruv | Screw | |
| 5 | 2 | 122671660/1 | Bricka | Washer | |
| 6 | 1 | 381003318/1 | Reglagebygel | Lever, Engine Brake | |
| 7 | 2 | 112523040/0 | Bricka | Washer | |
| 8 | 2 | 112154510/0 | Mutter | Nut | |
| 9 | 1 | 112727784/0 | Skruv | Screw | |
| 10 | 1 | 181000769/1 | Motorbromswire | Cable, Thread Engine Brake | Honda Engine |
| 11 | 1 | 322551639/0 | Plat | Fixed Plate | |
| 12 | 1 | 112154510/0 | Mutter | Nut | |



| Utgåva Issue 2 - 2016 | | Hjul och navkapsel Wheel and Hub Cap | | | |
|-----------------------------|---------------|---|---------------|--------------|---------------------|
| Pos. Fig. | Antal Q.ty | Art nr Part No | Benämning | Description | Anmärkning Notes |
| 1 | 4 | 381007494/0 | Hjul | Wheel | Grooved Aluminium |
| 2 | 8 | 112521350/0 | Bricka | Washer | |
| 3 | 8 | 112155000/0 | Mutter | Nut | |
| 4 | 8 | 322110796/0 | Navkapsel Gra | Hub Cap Grey | |
| 5 | 4 | 322110798/0 | Navkapsel Gra | Hub Cap Grey | with STIGA Logo |



| Utgåva Issue 2 - 2016 | | Honda Engine Cover | | | |
|-----------------------------|---------------|--------------------|-----------------------|-----------------------|---------------------|
| Pos. Fig. | Antal Q.ty | Art nr Part No | Benämning | Description | Anmärkning Notes |
| 1 | 1 | 322055514/0 | Kapa | Grey Cover | |
| 2 | 1 | 322055515/1 | Yellow Engine Cowling | Yellow Engine Cowling | |



| Utgåva Issue 2 - 2016 | | Kniv Blade | | | |
|-----------------------------|---------------|-------------------|----------------|----------------------------------|---------------------|
| Pos. Fig. | Antal Q.ty | Art nr Part No | Benämning | Description | Anmärkning Notes |
| 1 | 1 | 122465612/1 | Knivfäste | Hub With Pulley, Crankshaft Ø 25 | |
| 2 | 1 | 181004146/0 | Kniv | Blade Standard | |
| 3 | 2 | 322672110/1 | Bricka | Washer | |
| 4 | 1 | 322672105/0 | Bricka | Washer | |
| 5 | 1 | 112508120/0 | Tallriksbricka | Cup Spring | |
| 6 | 1 | 122041940/0 | Bussning | Bushing | |
| 7 | 1 | 112736850/0 | Skruv | Screw | |
| 8 | 1 | 112139150/0 | Kil D25Mm | Feather, Crankshaft Ø 25 | |
| 9 | 3 | 122524329/0 | Stift | Pin | |
| 10 | 3 | 322672201/0 | Bricka | Washer | |
| 11 | 1 | 381207221/1 | Fläns | Flange, Yellow | |
| 12 | 3 | 322250012/0 | Dämpement | No Vibrations Rubber | |
| 13 | 3 | 122671651/0 | Bricka | Washer | |
| 14 | 3 | 112521350/0 | Bricka | Washer | |
| 15 | 3 | 112155000/0 | Mutter | Nut | |
| 16 | 1 | 112791400/0 | Skruv | Screw | |
| 18 | 3 | 112735108/1 | Skruv | Screw | |

| code | pos. | q.ty | page | | | | |
|-------------|------|------|-------|-------------|----|---|-------|
| 112139150/0 | 8 | 1 | p. 17 | 322672105/0 | 4 | 1 | p. 17 |
| 112154330/0 | 19 | 2 | p. 3 | 322672110/1 | 3 | 2 | p. 17 |
| 112154510/0 | 3 | 1 | p. 11 | 322672201/0 | 10 | 3 | p. 17 |
| 112154510/0 | 8 | 2 | p. 11 | 322778419/0 | 7 | 1 | p. 5 |
| 112154510/0 | 12 | 1 | p. 11 | 322778421/0 | 3 | 1 | p. 5 |
| 112154510/0 | 14 | 4 | p. 3 | 381003318/1 | 6 | 1 | p. 11 |
| 112155000/0 | 3 | 8 | p. 13 | 381003323/0 | 18 | 1 | p. 3 |
| 112155000/0 | 4 | 6 | p. 9 | 381004735/0 | 1 | 1 | p. 3 |
| 112155000/0 | 9 | 4 | p. 9 | 381006369/0 | 8 | 1 | p. 9 |
| 112155000/0 | 15 | 3 | p. 17 | 381006371/0 | 1 | 1 | p. 11 |
| 112292102/0 | 12 | 2 | p. 5 | 381006385/0 | 1 | 1 | p. 9 |
| 112293200/0 | 20 | 1 | p. 3 | 381006387/0 | 6 | 1 | p. 9 |
| 112293201/0 | 8 | 4 | p. 5 | 381007494/0 | 1 | 4 | p. 13 |
| 112508120/0 | 5 | 1 | p. 17 | 381207221/1 | 11 | 1 | p. 17 |
| 112521330/0 | 24 | 2 | p. 3 | 381302861/1 | 16 | 1 | p. 3 |
| 112521350/0 | 2 | 8 | p. 13 | 381302863/0 | 3 | 1 | p. 3 |
| 112521350/0 | 14 | 3 | p. 17 | 381545104/0 | 15 | 1 | p. 3 |
| 112523040/0 | 7 | 2 | p. 11 | 381545105/0 | 13 | 1 | p. 3 |
| 112523060/0 | 10 | 2 | p. 9 | | | | |
| 112523080/0 | 11 | 1 | p. 9 | | | | |
| 112604899/0 | 26 | 2 | p. 3 | | | | |
| 112727784/0 | 4 | 2 | p. 11 | | | | |
| 112727784/0 | 9 | 1 | p. 11 | | | | |
| 112728450/0 | 2 | 2 | p. 5 | | | | |
| 112728523/0 | 11 | 2 | p. 5 | | | | |
| 112728531/1 | 4 | 3 | p. 7 | | | | |
| 112735108/1 | 18 | 3 | p. 17 | | | | |
| 112735661/0 | 22 | 2 | p. 3 | | | | |
| 112736850/0 | 7 | 1 | p. 17 | | | | |
| 112789000/0 | 17 | 2 | p. 3 | | | | |
| 112791011/0 | 12 | 4 | p. 3 | | | | |
| 112791400/0 | 16 | 1 | p. 17 | | | | |
| 112792611/0 | 6 | 4 | p. 5 | | | | |
| 112793102/0 | 7 | 4 | p. 9 | | | | |
| 112815200/0 | 9 | 2 | p. 5 | | | | |
| 112819100/0 | 3 | 6 | p. 9 | | | | |
| 114367494/2 | 14 | 1 | p. 5 | | | | |
| 118203854/0 | 5 | 6 | p. 9 | | | | |
| 118566114/0 | 2 | 4 | p. 9 | | | | |
| 122020050/0 | 5 | 2 | p. 3 | | | | |
| 122033329/0 | 25 | 1 | p. 3 | | | | |
| 122041940/0 | 6 | 1 | p. 17 | | | | |
| 122430314/0 | 2 | 1 | p. 11 | | | | |
| 122446184/0 | 27 | 1 | p. 3 | | | | |
| 122465612/1 | 1 | 1 | p. 17 | | | | |
| 122524329/0 | 9 | 3 | p. 17 | | | | |
| 122600092/0 | 6 | 1 | p. 3 | | | | |
| 122600093/0 | 2 | 1 | p. 3 | | | | |
| 122671651/0 | 13 | 3 | p. 17 | | | | |
| 122671660/1 | 5 | 2 | p. 11 | | | | |
| 133320506/0 | 13 | 2 | p. 5 | | | | |
| 181000769/1 | 10 | 1 | p. 11 | | | | |
| 181004146/0 | 2 | 1 | p. 17 | | | | |
| 322020400/0 | 10 | 2 | p. 5 | | | | |
| 322033397/0 | 4 | 1 | p. 3 | | | | |
| 322055514/0 | 1 | 1 | p. 15 | | | | |
| 322055515/1 | 2 | 1 | p. 15 | | | | |
| 322060220/0 | 5 | 1 | p. 7 | | | | |
| 322110796/0 | 4 | 8 | p. 13 | | | | |
| 322110798/0 | 5 | 4 | p. 13 | | | | |
| 322226197/0 | 1 | 1 | p. 5 | | | | |
| 322250012/0 | 12 | 3 | p. 17 | | | | |
| 322399812/0 | 21 | 1 | p. 3 | | | | |
| 322399813/0 | 12 | 1 | p. 9 | | | | |
| 322551529/0 | 23 | 2 | p. 3 | | | | |
| 322551639/0 | 11 | 1 | p. 11 | | | | |