



Reservdelskatalog Parts Catalogue

MULTIMOWER 48 S

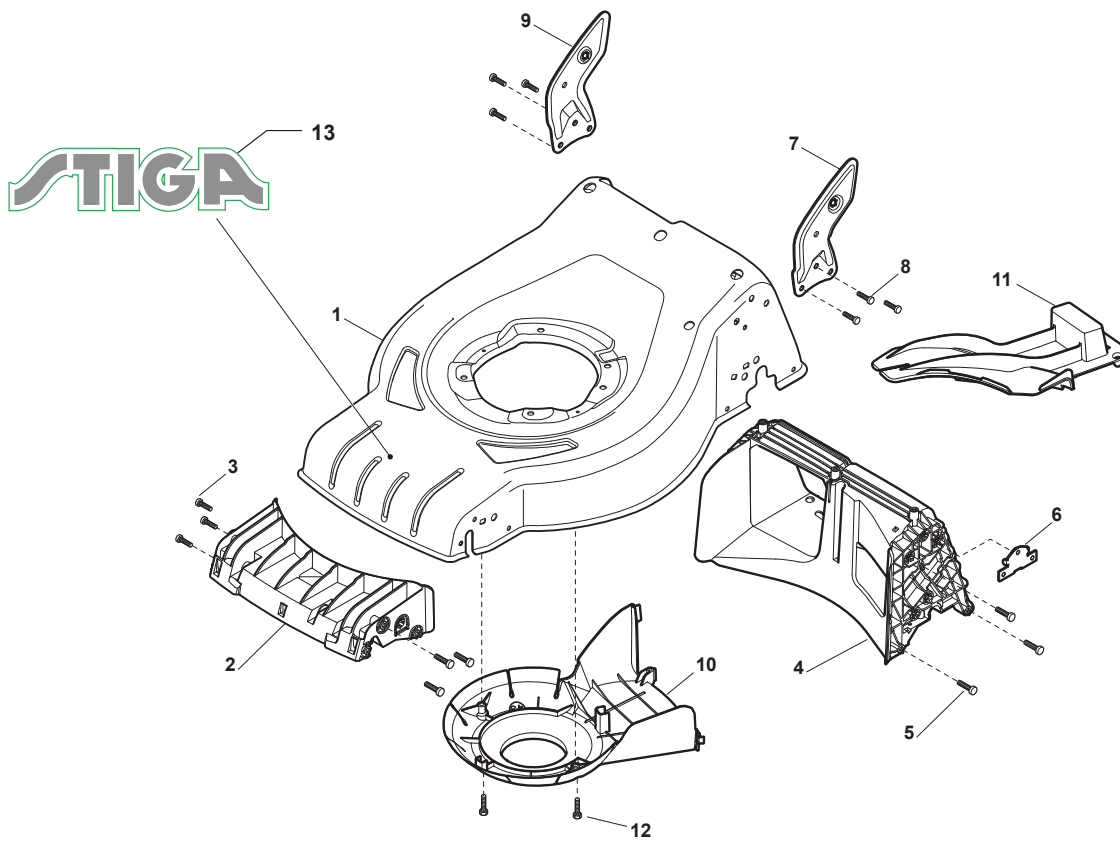
295486148/S16 - Season 2016

- Use GLOBAL GARDEN PRODUCT Genuine Spare Parts specified in the parts list for repair and/or replacement.
 - The contents described in the parts list may change due to improvement.
 - The drawings of the spare parts are only indicative and might not represent the part in question exactly.
 - The indications "right" - "left" - "front" - "rear" refer to the position of the operator when using the machine.
- When placing orders of parts for repair and/or replacement, make sure that the illustrated parts list is the one applying to the machine's year of manufacture, as shown on the identification plate attached to the machine.

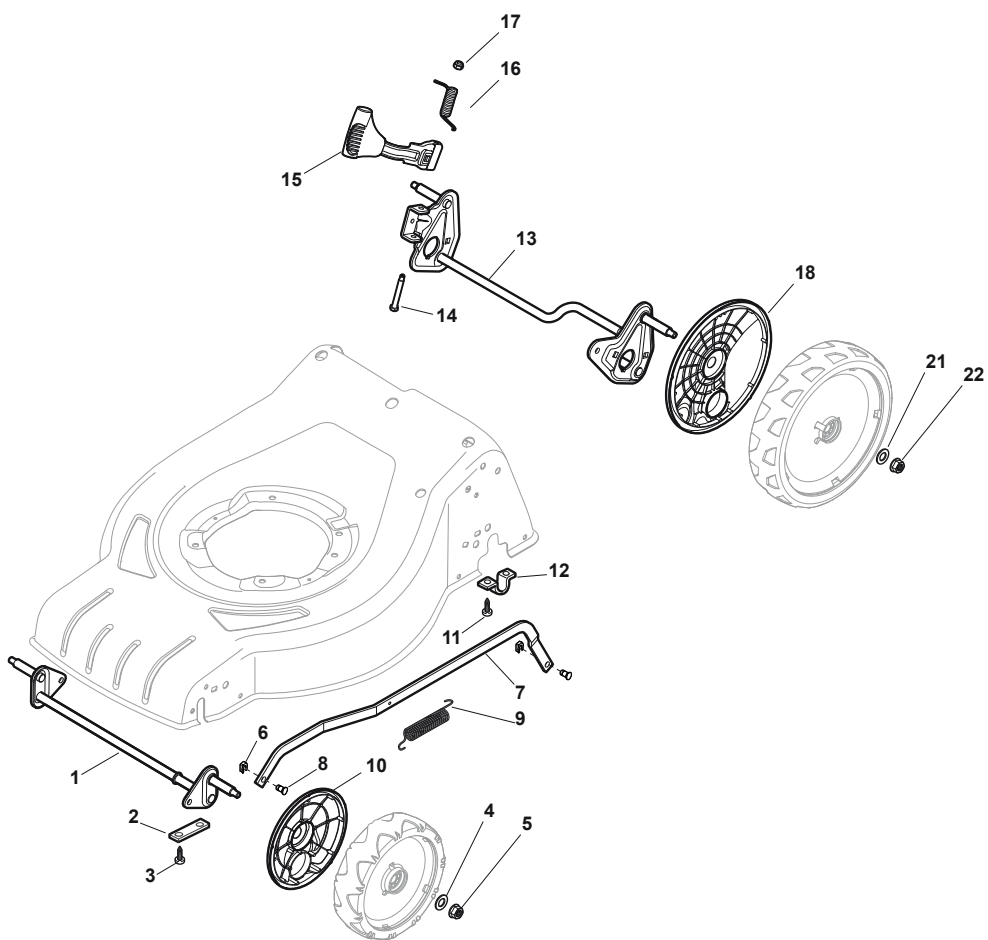
© Copyright 2016 Global Garden Products

All rights reserved. No part of this material may be reproduced or transmitted, in any form or by any means, electronic or mechanical, including photocopying, recording or by any information storage and retrieval system, without permission in writing from GLOBAL GARDEN PRODUCTS.

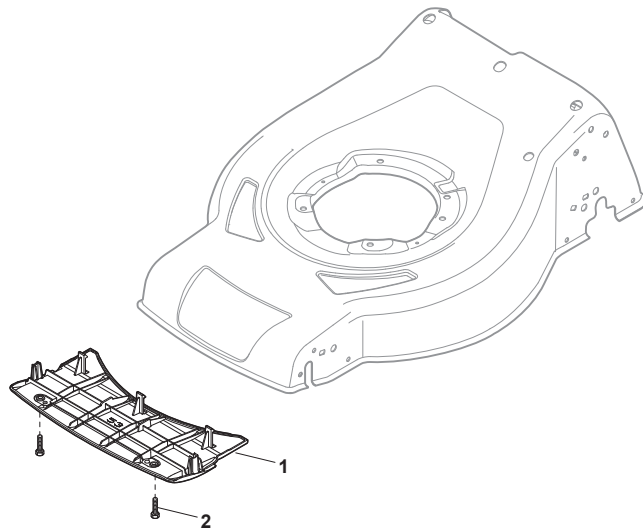
www.stiga.com



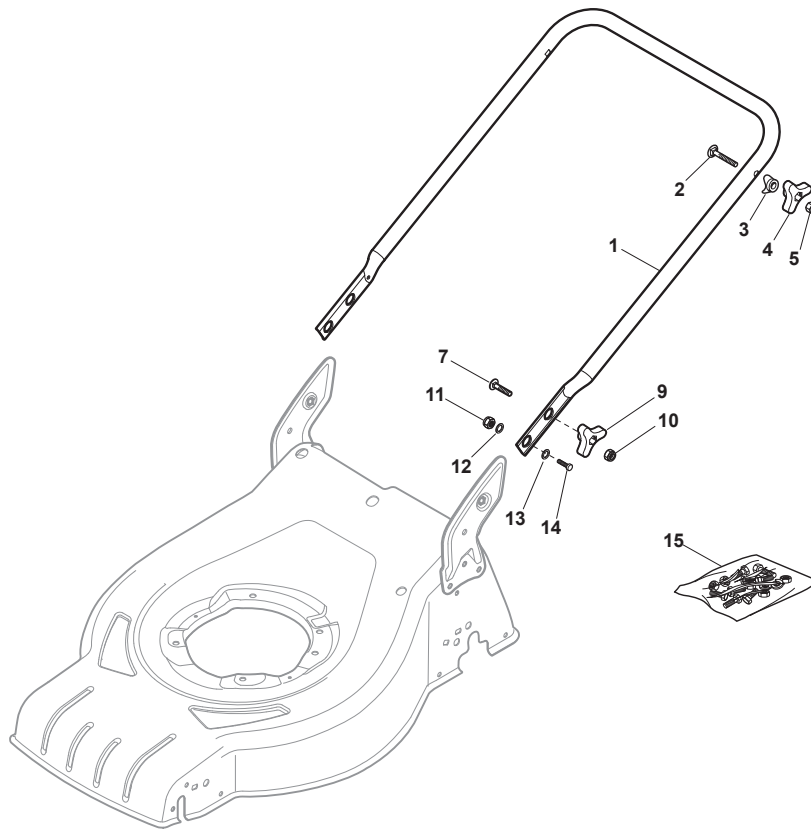
Utgåva Issue 2 - 2016		Kapa Deck			
Pos. Fig.	Antal Q.ty	Art nr Part No	Benämning	Description	Anmärkning Notes
1	1	381004729/0	Chassi-gra	Grey Deck	
2	1	322108301/1	Plastfront Transportör	Front Conveyor Assy	
3	6	112728699/0	Skruv	Screw	
4	1	322108302/0	Bakre skyddLuftledare	Rear Conveyor Assy	
5	6	112728699/0	Skruv	Screw	
6	2	322545213/0	Plat	Plate	
7	1	381005139/0	Fäste-vä	Left Bracket	
8	6	112727801/0	Skruv	Screw	
9	1	381005137/0	Fäste-hö	Right Bracket	
10	1	322060242/0	Remskydd	Belt Protection	
11	1	322140239/0	Mulcherinsats	Mulching Deflector	
12	2	112728530/0	Skruv	Screw	
13	1	114367494/2	Dekal STIGA logo	Label STIGA logo	



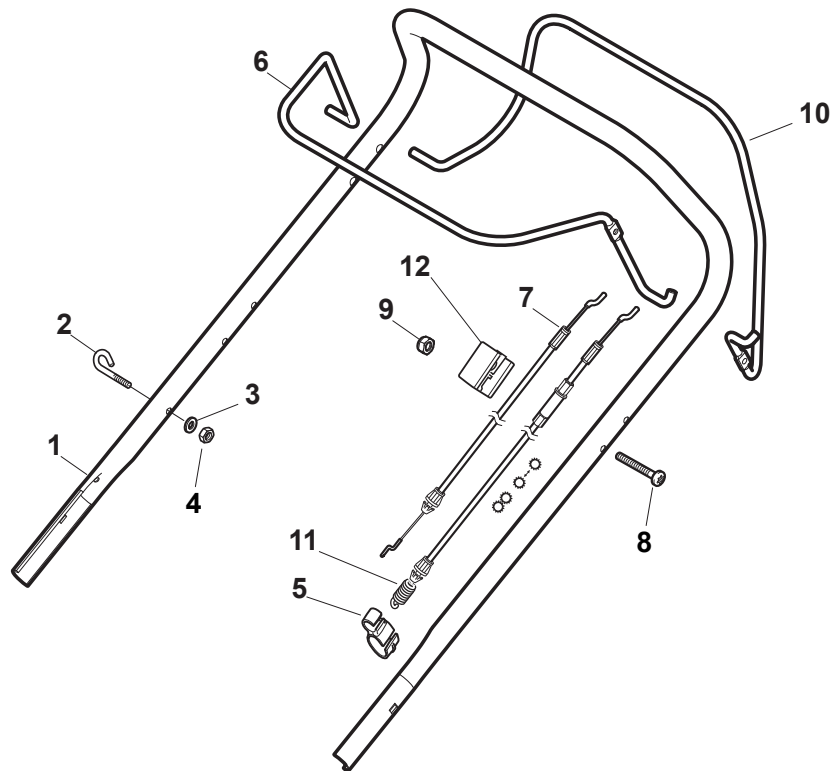
Utgåva Issue 2 - 2016		Höjdställning Height Adjusting			
Pos. Fig.	Antal Q.ty	Art nr Part No	Benämning	Description	Anmärkning Notes
1	1	381302821/0	Hjulaxel-fram	Front Wheel Axle	
2	2	322545142/0	Plat	Plate	
3	4	112728698/0	Skruv	Screw	
4	2	112521350/0	Bricka	Washer	
5	2	112155000/0	Mutter	Nut	
6	2	112436051/0	Plat	Plate	
7	1	322869673/0	Höjjusteringsstag	Rod, Height Adjustment	
8	2	122519820/0	Stift	Pin	
9	1	122446193/0	Fjäder	Spring	
10	2	322600247/0	Hjulskydd	Protection, Wheel	D. 180
11	4	112728698/0	Skruv	Screw	
12	2	322545152/0	Plat	Plate	
13	1	381302817/0	Hjulaxel-bakre	Rear Wheel Axle	
14	1	122534131/0	Stift	Pin	
15	1	381003357/0	Hjuls BakreAdj. Spak	Wheels Rear Adj. Lever	
16	1	122446192/0	Fjäder	Spring	
17	1	112154510/0	Mutter	Nut	
18	1	322600205/1	Hjulskydd	Protection, Wheel	
21	2	112521350/0	Bricka	Washer	
22	2	112155000/0	Mutter	Nut	



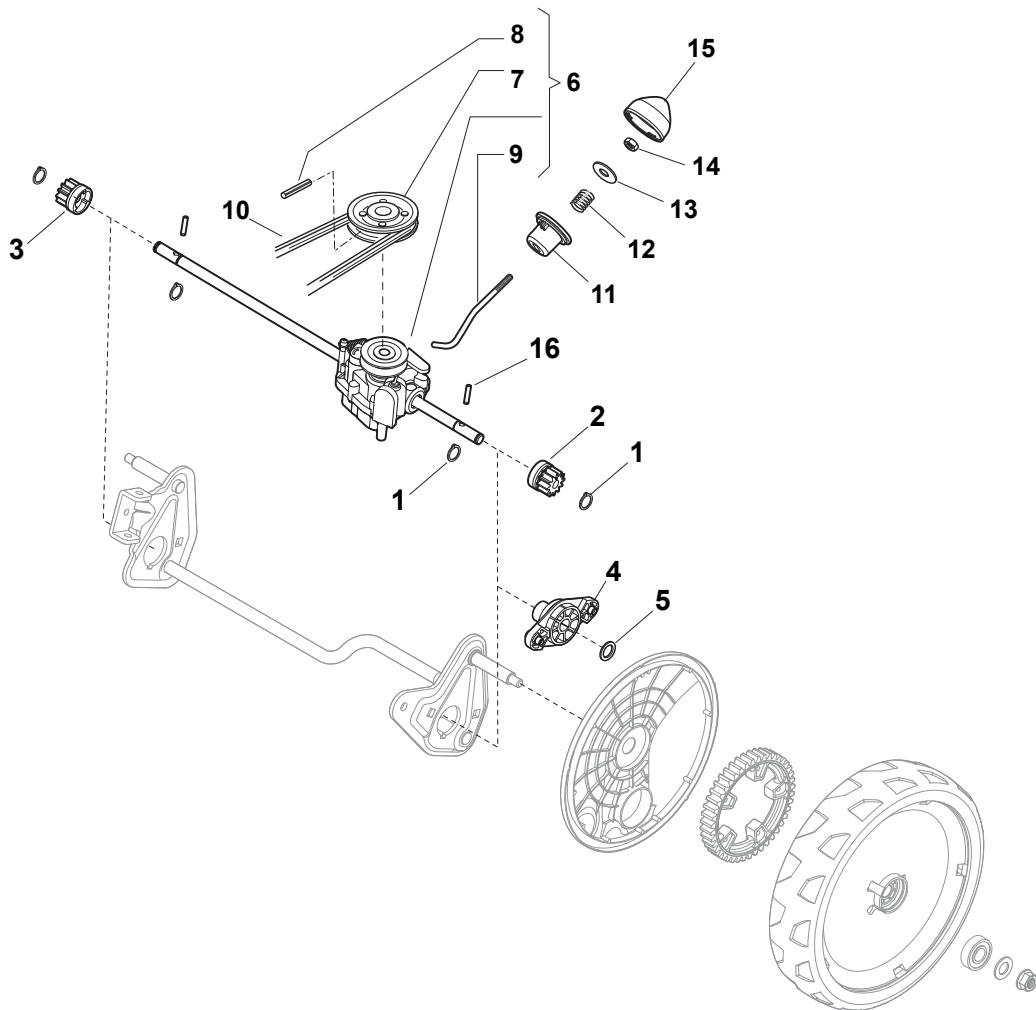
Utgåva Issue 2 - 2016		Mask			
Pos. Fig.	Antal Q.ty	Art nr Part No	Benämning	Description	Anmärkning Notes
1	1	322500106/0	Luftintag	Front Combi	
2	2	112728698/0	Skruv	Screw	



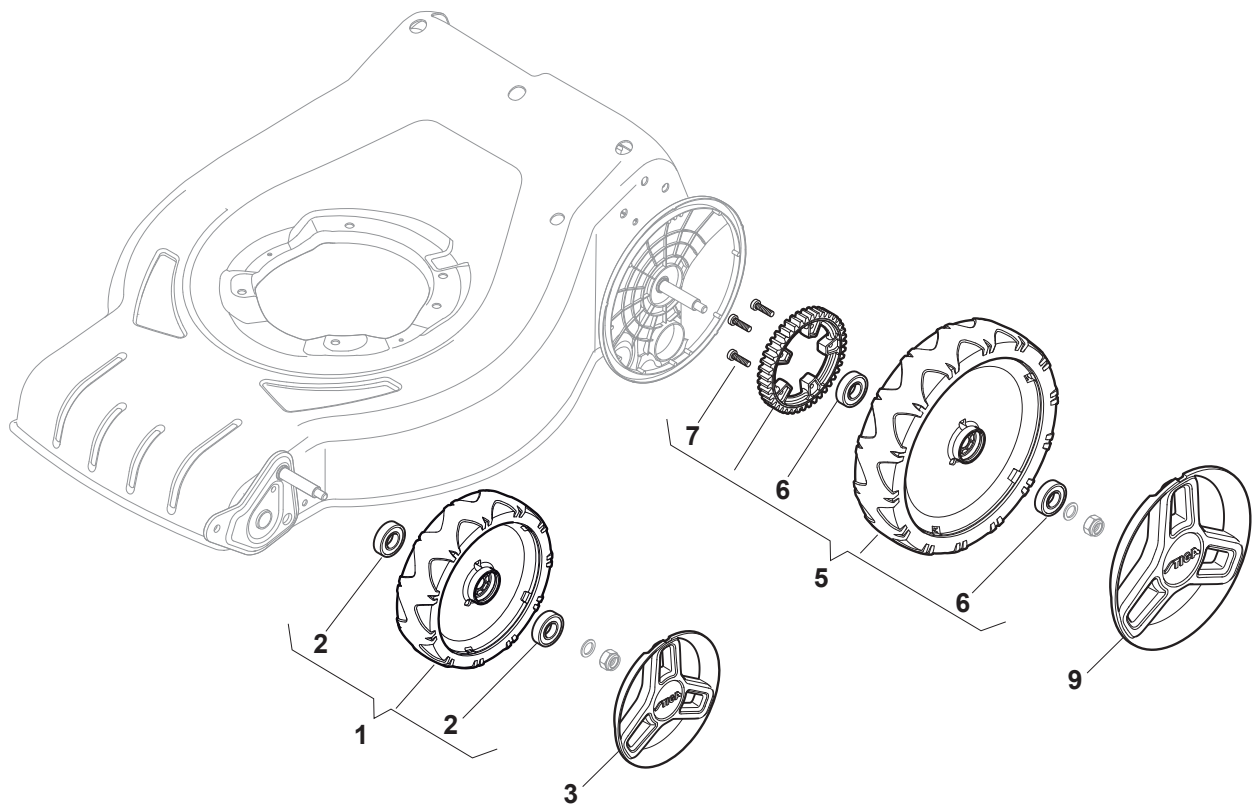
Utgåva Issue 2 - 2016		Reglage, nedre Handle, Lower Part			
Pos. Fig.	Antal Q.ty	Art nr Part No	Benämning	Description	Anmärkning Notes
1	1	381007537/0	Reglage, nedre Gul	Handle, Lower Part Yellow	Yellow
2	2	112819110/0	Skruv	Screw	
3	2	122671651/0	Bricka	Washer	
4	2	122399900/0	Knopp	Knob	Black
5	2	112293200/0	Mutter	Nut	
7	2	112818900/0	Skruv	Screw	
9	2	122399900/0	Knopp	Knob	Black
10	2	112293200/0	Mutter	Nut	
11	2	112155000/0	Mutter	Nut	
12	2	112521350/0	Bricka	Washer	
13	2	112369500/0	Bricka	Elastic Washer	
14	2	112760605/0	Skruv	Screw	
15	1	381008691/0	Skruvsats	Outfit, Screws	Black



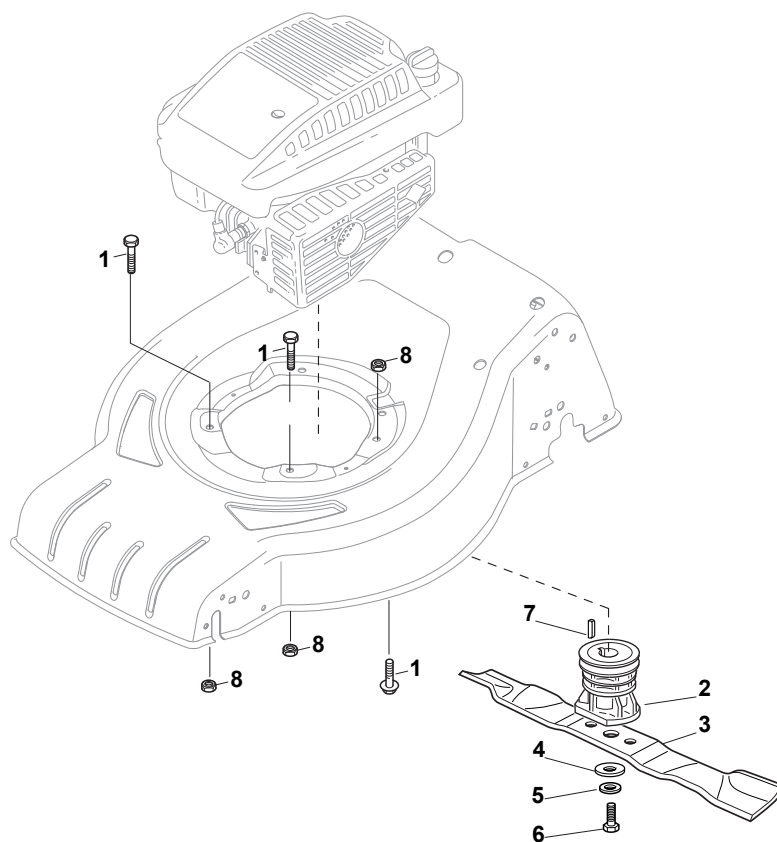
Utgåva Issue 2 - 2016		Reglage, övre Handle, Upper Part			
Pos. Fig.	Antal Q.ty	Art nr Part No	Benämning	Description	Anmärkning Notes
1	1	381006753/0	Handle, Upper Part Yellow	Handle, Upper Part Yellow	
2	1	122430313/0	Fjäder	Guide Spring	
3	1	112521330/0	Bricka	Washer	
4	1	112154510/0	Mutter	Nut	
5	1	118390020/0	Vajerhallare	Conduit Clip	
6	1	181003363/1	Reglagebygel	Lever, Engine Brake Black	Black
7	1	181030054/0	Motorbromswire	Cable, Thread Engine Brake	SV40 / RV 40 / V35 Engine and WBE 140 engine
8	1	112727783/0	Skruv	Screw	
9	1	112154510/0	Mutter	Nut	
10	1	181003364/0	Spak Handtag	Drive Control Lever	Black
11	1	381030051/0	Kopplingswire	Cable Rear Drive	
12	1	322551640/0	Plat	Plate	



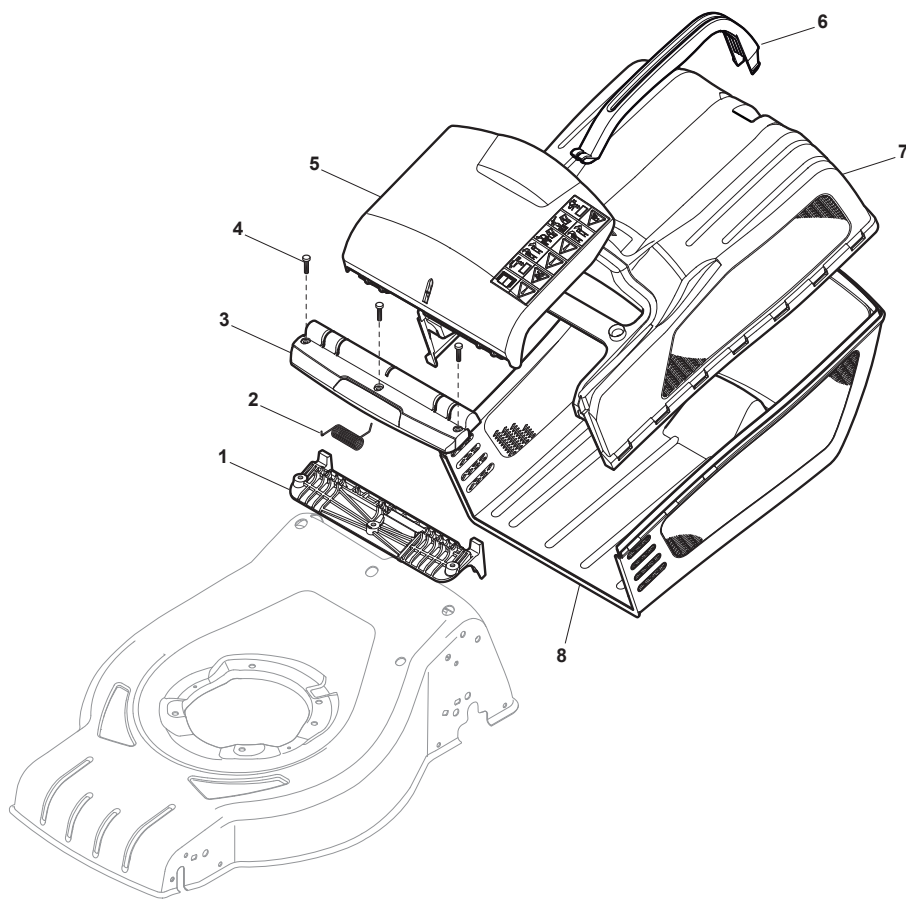
Utgåva Issue 2 - 2016		Bakhjulsdrivning		Transmission	
Pos. Fig.	Antal Q.ty	Art nr Part No	Benämning	Description	Anmärkning Notes
1	4	112608600/0	Segersäkringsåkring Sga12	Seeger	
2	1	122570120/1	Drev	Pinion Left	
3	1	122570110/1	Drev	Pinion Right	
4	2	322042066/0	Bussning	Bushing	
5	2	112521371/0	Bricka	Washer	
6	1	181003092/0	Transmission kpl	Gear Box	
7	1	122601909/0	Remskiva	Pulley	
8	1	112645700/0	Spännstift	Elastic Pin	
9	1	122033283/0	Justerstang	Adjustment Rod	
10	1	135063800/0	Drivrem	Trapezoidal Belt	
11	1	122041957/1	Bussning	Bushing	
12	1	122450063/0	Fjäder	Spring	
13	1	322680009/0	Bricka	Washer	
14	1	112154510/0	Mutter	Nut	
15	1	122110230/0	Navkapsel	Hub Cover	
16	2	122753000/0	Spännstift	Pin	



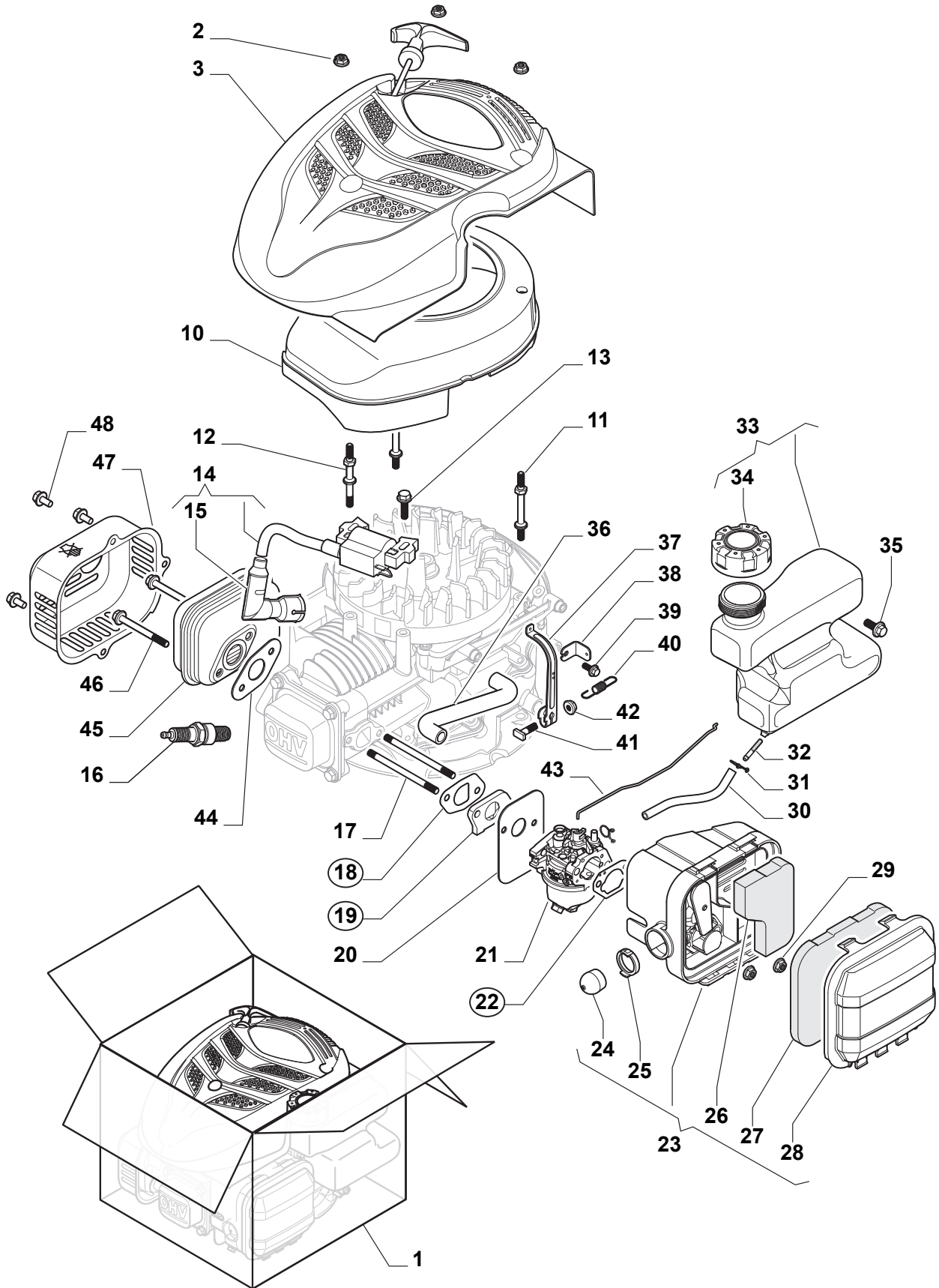
Utgåva Issue 2 - 2016		Hjul och navkapsel Wheels and Hub Caps			
Pos. Fig.	Antal Q.ty	Art nr Part No	Benämning	Description	Anmärkning Notes
1	2	381007445/1	Hjul	Wheel	
2	4	119216035/0	Lager	Bearing	
3	2	322110744/0	Navkapsel Gra	Hub Cap Grey	
5	2	381007466/1	Hjul	Wheel	
6	4	119216035/0	Lager	Bearing	
7	6	112728706/0	Skruv	Screw	
9	2	322110745/0	Navkapsel Gra	Hub Cap Grey	



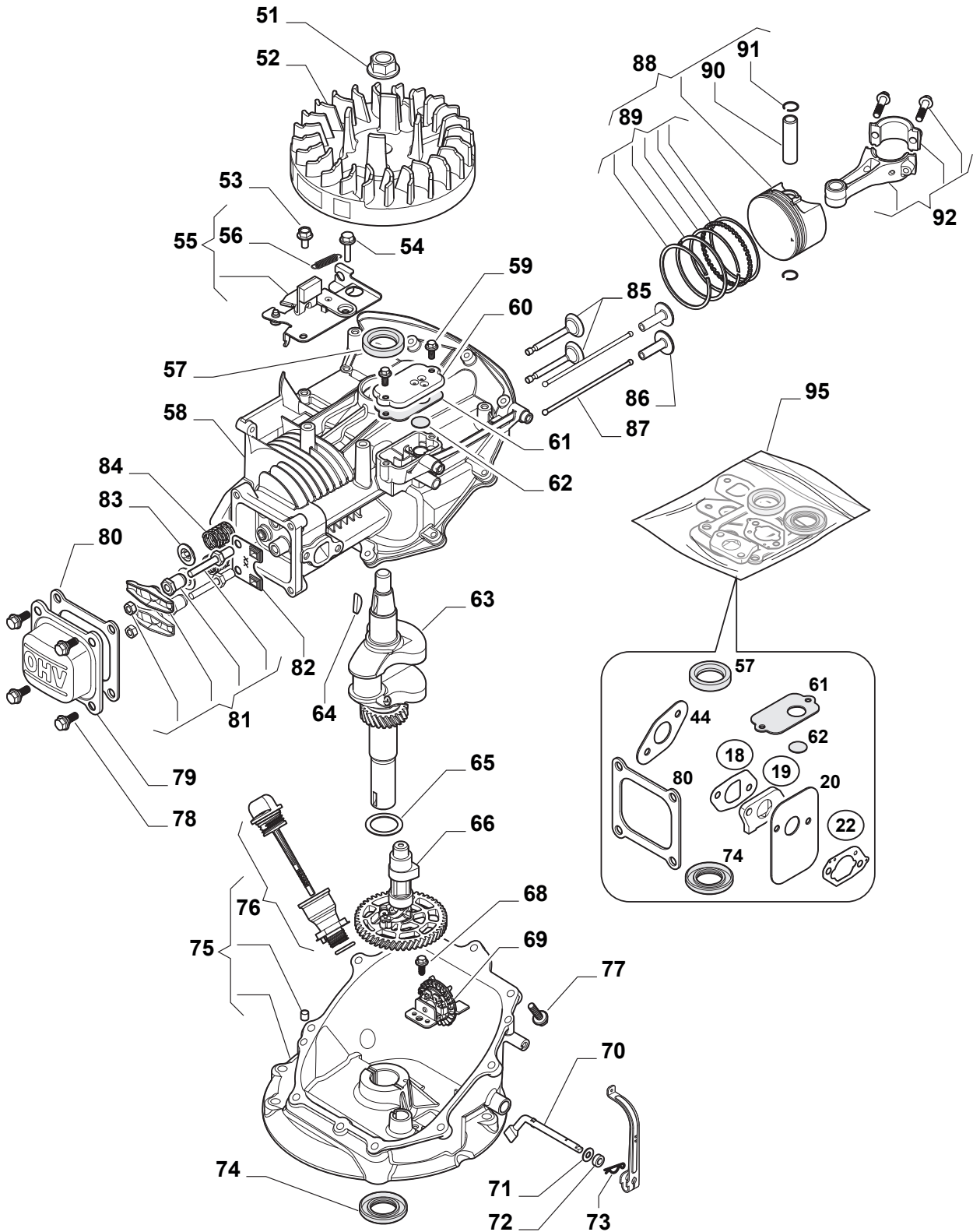
Utgåva Issue 2 - 2016		Kniv Blade			
Pos. Fig.	Antal Q.ty	Art nr Part No	Benämning	Description	Anmärkning Notes
1	3	112735108/1	Skruv	Screw	
2	1	122465607/3	Knivfäste D22,2	Hub With Pulley, Crankshaft Ø 22.2	
3	1	181004460/0	Kniv	Blade	
4	1	112508125/0	Bricka	Elastic Washer	
5	1	112523080/0	Bricka	Washer	
6	1	112735698/0	Skruv	Screw	
7	1	112139100/0	Kil	Key	
8	3	112154210/0	Mutter	Nut	



Utgåva Issue 2 - 2016		Gräsuppsamlare Grass-Catcher			
Pos. Fig.	Antal Q.ty	Art nr Part No	Benämning	Description	Anmärkning Notes
1	1	322785331/0	Stenskydd Supp. Svart	Black Stone Guard Support	
2	1	122450464/0	Fjäder	Spring	
3	1	322109556/0	Stenskydd Supp.kapa gul	Stone Guard Supp. Cover Yellow	Yellow
4	3	112728699/0	Skruv	Screw	
5	1	322600214/1	Lucka-gul	Stone Guard, Yellow	Yellow
6	1	322393716/0	Handtag Cr/Cs gra Ncss8000	Handle, Grey	Grey NCSS-N
7	1	322486387/0	Uppsamlarecat.Up.Part gra	Grassbox Upper Part, Grey	Grey NCSS-N
8	1	322486388/0	Uppsamlarecat.underdel gra	Grassbox Lower Part, Grey	Grey NCSS-N



Utgåva Issue 2 - 2016					
Pos. Fig.	Antal Q.ty	Art nr Part No	Benämning	Description	Anmärkning Notes
1	1	118550941/0	Motor Kpl	Engine Assembled	
2	3	12292102/0	Mutter M6Mf Tensilock M6	Nut	
3	1	118550909/0	Start kpl	Starter Assy	
10	1	118550908/0	Luftledare	Air Guide	
11	2	118550907/0	Stift	Pin	
12	1	118550906/0	Stift	Pin	
13	1	112791500/0	Skruv	Screw	
14	1	118550901/0	Elektronikspole	Elettronic Coil	
15	1	118550942/0	Tändstiftshatt	Spark Plug Terminal	
16	1	9400-0244-00	Tändstift	Spark Plug	
17	2	118550930/0	Harnalssprintnbult	Stud Bolt	
18	1	118550929/0	Packning	Gasket	
19	1	118550928/0	Packning	Insulator, Carburettor	
20	1	118550927/0	Packning	Gasket	
21	1	118550926/0	Förgasare Kpl	Carburettor	
22	1	118550924/0	Packning	Gasket	
23	1	118550921/0	Luftfilter kpl	Air Cleaner Assy	
24	1	118550923/0	Luftreningspump	Air Purge Pump	
25	1	118550922/0	Luftreningspump Stop	Air Purge Pump Stop	
26	1	118550946/0	Luftfilter	Air Filter	
27	1	118550945/0	Luftfilter	Air Filter	
28	1	118550944/0	Luftfilterkapa	Air Cleaner Cover	
29	2	12292102/0	Mutter M6Mf Tensilock M6	Nut	
30	1	118550919/0	Bränsleslang	Fuel Pipe	
31	2	118550918/0	Kabelhallare	Pipe Clip	
32	1	118550314/0	Bränslefilter	Fuel Filter	
33	1	118550917/0	Bränsletank	Tank	
34	1	118550943/0	Tanklock	Fuel Cap	
35	2	112792099/0	Skruv	Screw	
36	1	118550920/0	Ventilationssläng	Breather Fule Pipe	
37	1	118550933/0	Stöd	Arm Governor	
38	1	118550931/0	Plat	Plate	
39	1	112789000/0	Skruv	Screw	
40	1	118550932/0	Fjäder	Spring	
41	1	118550805/0	Skruv	Screw	
42	1	118550806/0	Mutter	Nut	
43	1	118550925/0	Regulatorstang	Governor Link	
44	1	118550898/0	Ljuddämparpackning	Gasket, Muffler	
45	1	118550899/0	Ljuddämpare	Muffler	
46	2	112792425/0	Skruv	Screw	
47	1	118550900/0	Ljuddämparskydd	Muffler Guard	
48	3	112791011/0	Skruv	Screw	



Utgåva Issue 2 - 2016					
Pos. Fig.	Antal Q.ty	Art nr Part No	Benämning	Description	Anmärkning Notes
18	1	118550929/0	Packning	Gasket	
19	1	118550928/0	Packning	Insulator, Carburettor	
20	1	118550927/0	Packning	Gasket	
44	1	118550898/0	Ljuddämparpackning	Gasket, Muffler	
51	1	118550336/0	Mutter	Nut	
52	1	118550905/0	Svänghjul kpl	Flywheel Ass.Y	
53	1	112791011/0	Skruv	Screw	
54	1	112791500/0	Skruv	Screw	
55	1	118550938/0	Svänghjulsbroms	Flywheel Brake/Stop Switch Assy	
56	1	118550911/0	Fjäder	Spring	
57	1	118550300/0	Tätningring	Oil Seal	
58	1	118550897/0	Cylinder kpl	Cylinder Assy	
59	2	112789000/0	Skruv	Screw	
60	1	118550904/0	Kapa	Cover	
61	1	118550903/0	Packning	Gasket, Breath Groove	
62	1	118550902/0	Ventil	Valve	
63	1	118550889/0	Vevaxel Kpl	Crankshaft	
64	1	118550288/0	Woodruffkil	Woodruff Key	
65	1	118550283/0	Bricka	Washer	
66	1	118550890/0	Kamaxel	Camshaft Assy	
68	1	112789000/0	Skruv	Screw	
69	1	118550888/0	Regulator Kpl	Speed Governor Assy	
70	1	118550936/0	Regulatoraxel	Shaft, Governor Arm	
71	1	118550666/0	Bricka	Washer	
72	1	118550935/0	Tätningring	Oil Seal	
73	1	118550934/0	Harnalsprint	Spring Pin	
74	1	118550379/0	Tätningring	Oil Seal	
75	1	118550937/0	Vevhus kapa kpl	Crankcase Cover Assy	
76	1	118550887/0	Oljesticka	Tank Cap	
77	10	112791500/0	Skruv	Screw	
78	4	112791213/1	Skruv	Screw	
79	1	118550891/0	Ventilkapa	Cover Comp., Head	
80	1	118550892/0	Packning	Packing Head Cover	
81	2	118550893/0	Vipparmsats	Valve Arm Set	
82	1	118550894/0	Plat	Plate	
83	2	118550895/0	Hallare	Retainer	
84	2	118550896/0	Fjäder	Spring	
85	1	118550910/0	Insugningsventil + Utblåsning- sventil	Valve Assy, Intake + Exhaust	
86	2	118550291/0	Ventillyftare	Valve Lifter Assy	
87	2	118550912/0	Tryckstang	Push Rod	
88	1	118550939/0	Kolv kpl	Piston Assy	
89	1	118550913/0	Kolvringssats	Piston, Ring Set	
90	1	118550915/0	Kolvsprint	Piston Pin	
91	2	118550914/0	Bricka	Washer, Piston Pin	
92	1	118550916/0	Vevstake	Connecting Rod Assy	
95	1	118550940/0	Packningssats	Engine Gasket Set	

