



## **Reservdelskatalog Parts Catalogue**

# **MULTIMOWER 53 S**

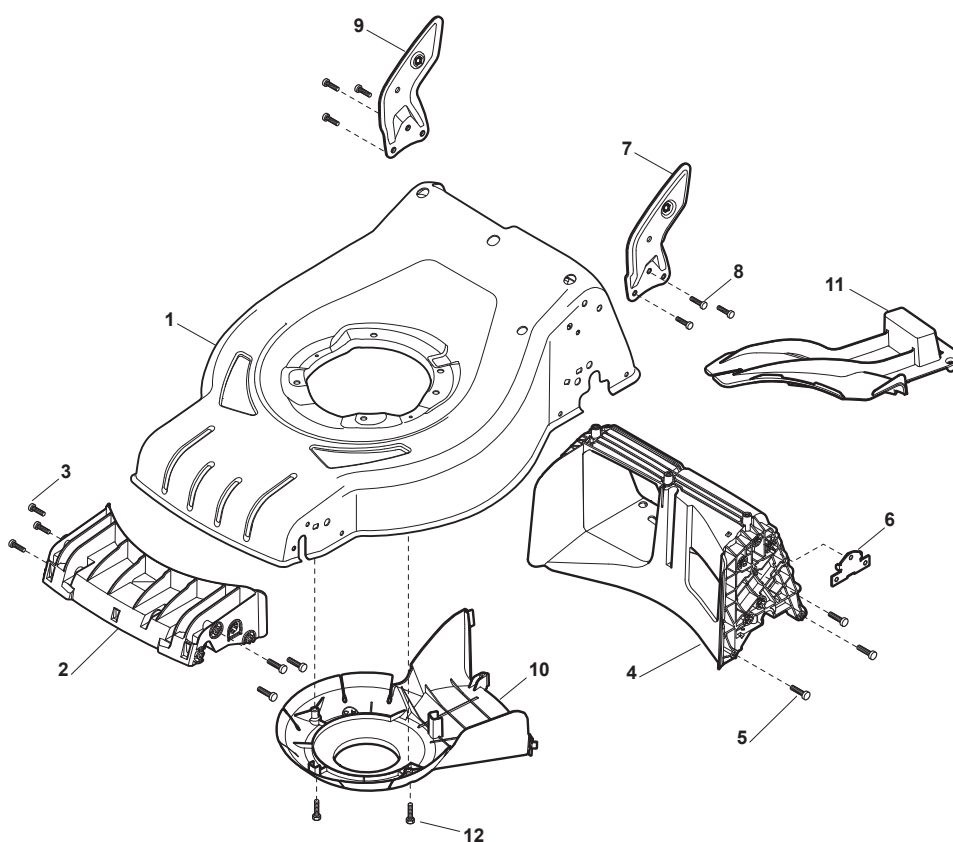
**295536148/S15 - Season 2015**

- Use GLOBAL GARDEN PRODUCT Genuine Spare Parts specified in the parts list for repair and/or replacement.
  - The contents described in the parts list may change due to improvement.
  - The drawings of the spare parts are only indicative and might not represent the part in question exactly.
  - The indications "right" - "left" - "front" - "rear" refer to the position of the operator when using the machine.
- When placing orders of parts for repair and/or replacement, make sure that the illustrated parts list is the one applying to the machine's year of manufacture, as shown on the identification plate attached to the machine.

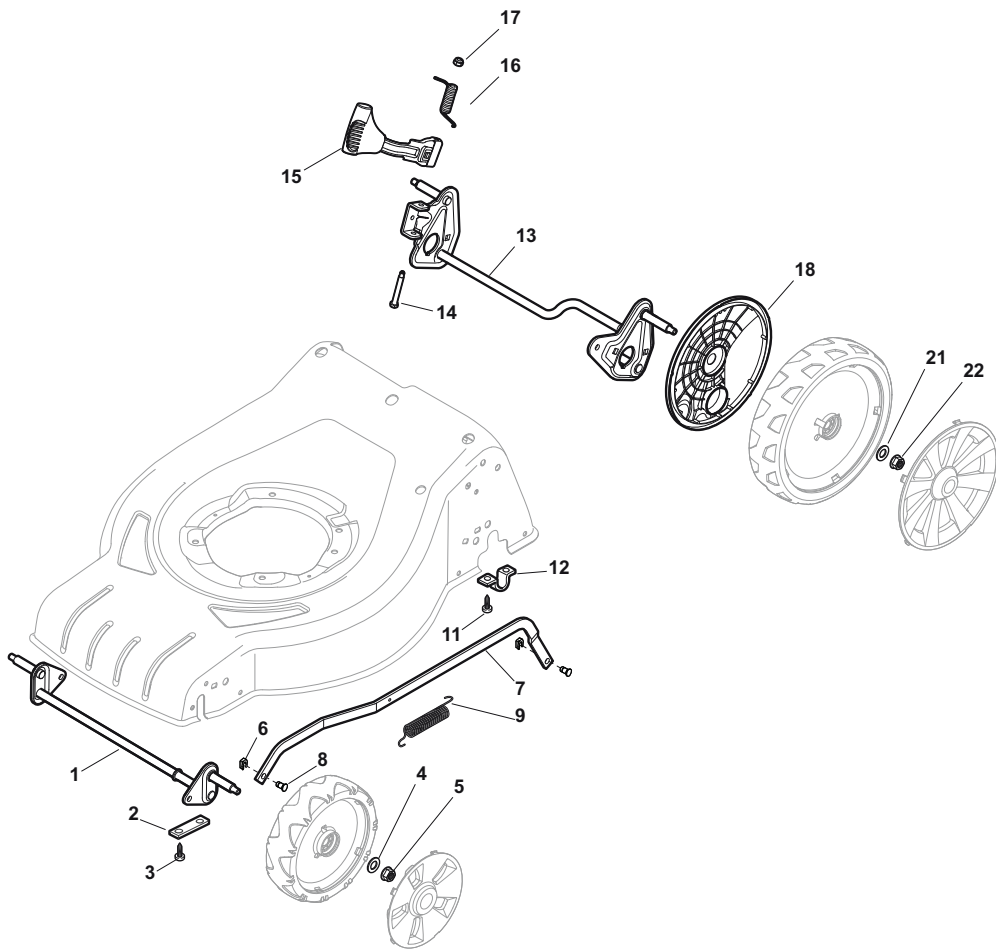
© Copyright 2015 Global Garden Products

All rights reserved. No part of this material may be reproduced or transmitted, in any form or by any means, electronic or mechanical, including photocopying, recording or by any information storage and retrieval system, without permission in writing from GLOBAL GARDEN PRODUCTS.

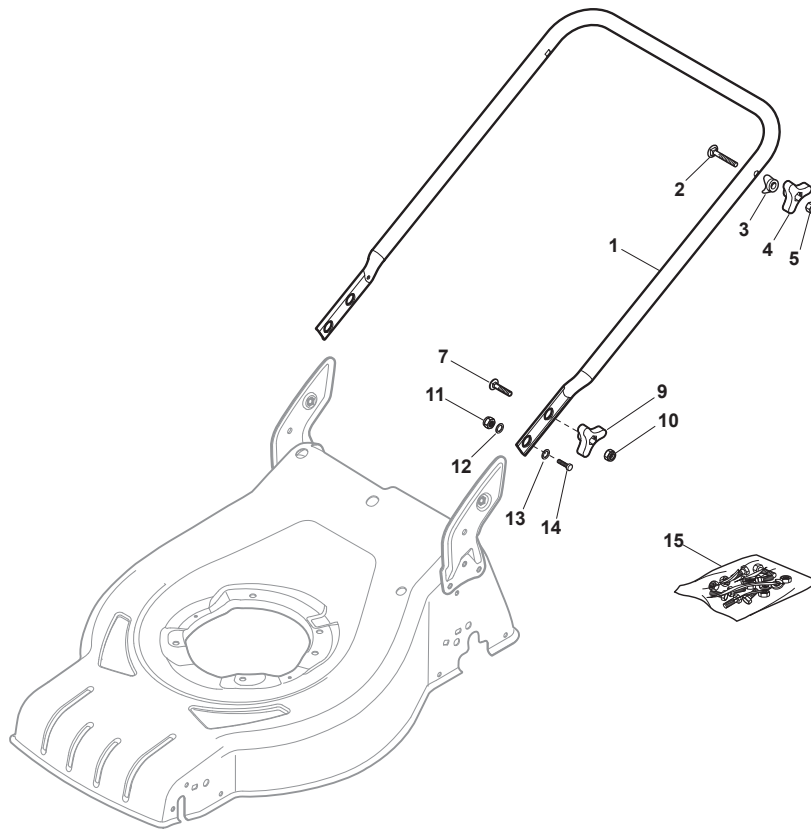
[www.stiga.com](http://www.stiga.com)



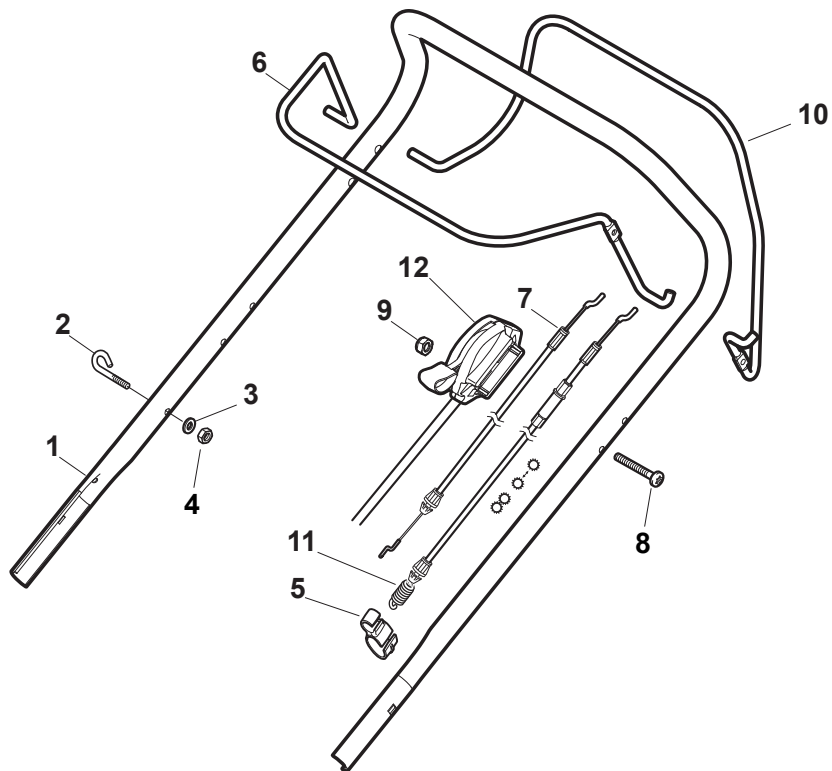
Utgåva Issue 22 - 2015		Kapa Deck			
Pos. Fig.	Antal Q.ty	Art nr Part No	Benämning	Description	Anmärkning Notes
1	1	381004730/0	Chassi-gra	Grey Deck	
2	1	322108308/0	Bakre skyddLuftledare	Rear Conveyor Assy	
3	6	112728699/0	Skruv	Screw	
4	1	322108302/0	Bakre skyddLuftledare	Rear Conveyor Assy	
5	6	112728699/0	Skruv	Screw	
6	2	322545213/0	Plat	Plate	
7	1	381005167/0	Fäste-vä	Left Bracket	
8	6	112727801/0	Skruv	Screw	
9	1	381005165/0	Fäste-hö	Right Bracket	
10	1	322060250/0	Remskydd	Belt Protection	
11	1	322140244/0	Mulching Deflektor Cruiser 48	Mulching Plug	
12	2	112728530/0	Skruv	Screw	



Utgåva Issue 22 - 2015		Höjdställning Height Adjusting			
Pos. Fig.	Antal Q.ty	Art nr Part No	Benämning	Description	Anmärkning Notes
1	1	381302853/0	Hjulaxel-fram	Front Wheel Axle	
2	2	322545142/0	Plat	Plate	
3	4	112728698/0	Skruv	Screw	
4	2	112521350/0	Bricka	Washer	
5	2	112155000/0	Mutter	Nut	
6	2	112436051/0	Plat	Plate	
7	1	322869679/0	Höjjusteringsstag	Rod, Height Adjustment	
8	2	122519823/0	Stift	Pin	
9	1	122446193/0	Fjäder	Spring	
11	4	112728698/0	Skruv	Screw	
12	2	322545152/0	Plat	Plate	
13	1	381302849/0	Hjulaxel-bakre	Rear Wheel Axle	
14	1	122534131/0	Stift	Pin	
15	1	381003357/0	Hjuls BakreAdj. Spak	Wheels Rear Adj. Lever	
16	1	122446192/0	Fjäder	Spring	
17	1	112154510/0	Mutter	Nut	
18	2	322600240/0	Hjulskydd	Protection, Wheel	
21	2	112521350/0	Bricka	Washer	
22	2	112155000/0	Mutter	Nut	

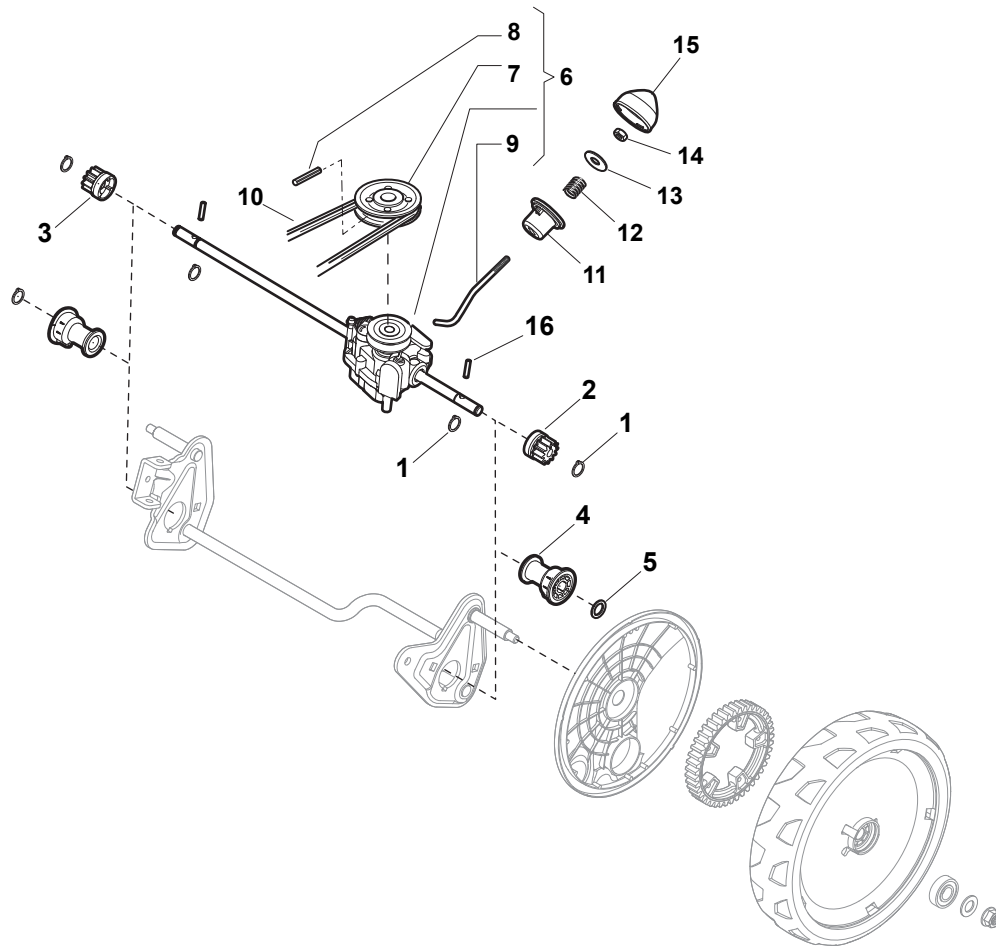


Utgåva Issue 22 - 2015		Reglage, nedre Handle, Lower Part			
Pos. Fig.	Antal Q.ty	Art nr Part No	Benämning	Description	Anmärkning Notes
1	1	381007538/0	Reglage, nedre Gul	Handle, Lower Part Yellow	Yellow
2	2	112819110/0	Skruv	Screw	
3	2	122671651/0	Bricka	Washer	
4	2	122399900/0	Knopp	Knob	Black
5	2	112293200/0	Mutter	Nut	
7	2	112818900/0	Skruv	Screw	
9	2	122399900/0	Knopp	Knob	Black
10	2	112293200/0	Mutter	Nut	
11	2	112155000/0	Mutter	Nut	
12	2	112521350/0	Bricka	Washer	
13	2	112369500/0	Bricka	Elastic Washer	
14	2	112760605/0	Skruv	Screw	
15	1	381008691/0	Skruvsats	Outfit, Screws	Black

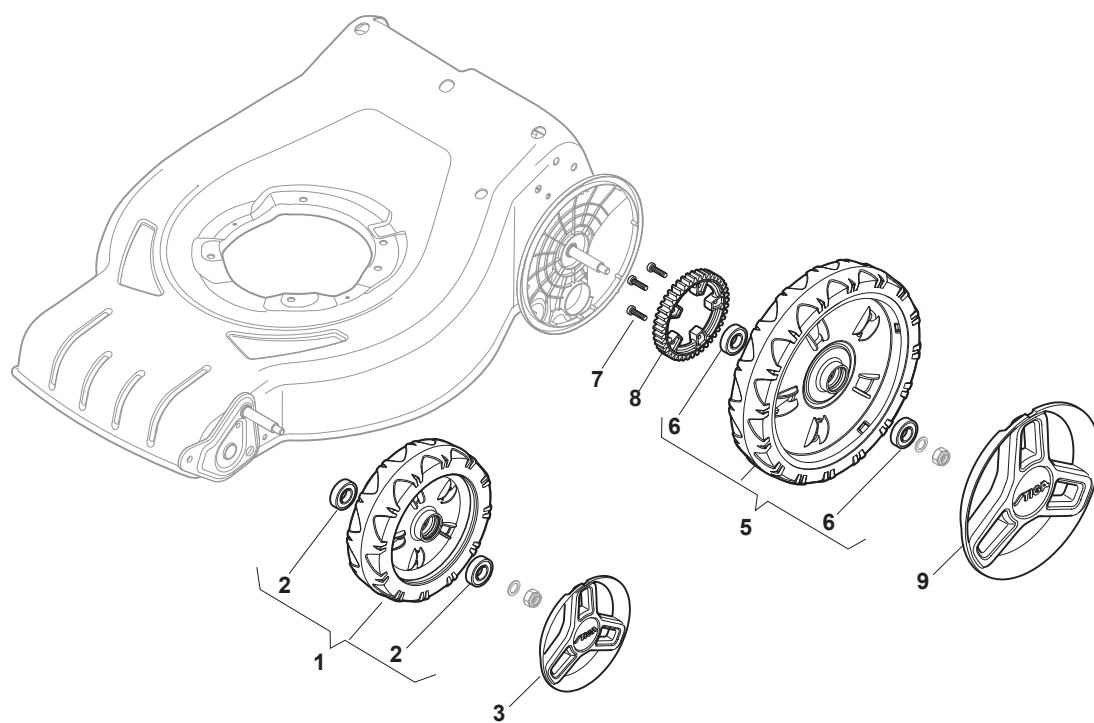




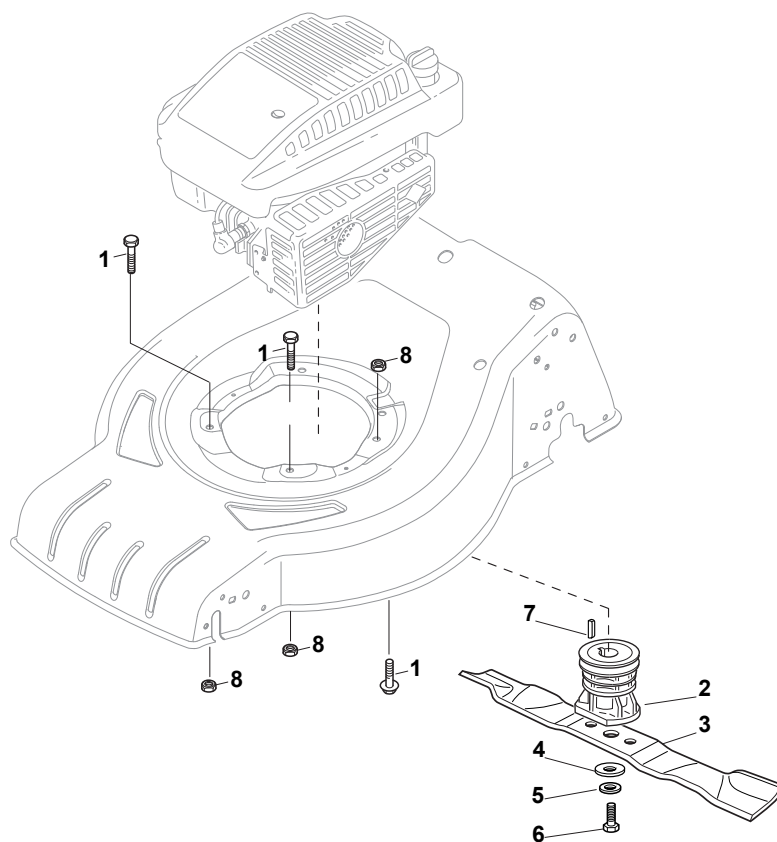
Utgåva Issue 22 - 2015		Reglage, övre Handle, Upper Part			
Pos. Fig.	Antal Q.ty	Art nr Part No	Benämning	Description	Anmärkning Notes
1	1	381006753/0	Handle, Upper Part Yellow	Handle, Upper Part Yellow	
2	1	122430313/0	Fjäder	Guide Spring	
3	1	112521330/0	Bricka	Washer	
4	1	112154510/0	Mutter	Nut	
5	1	118390020/0	Vajerhallare	Conduit Clip	
6	1	181003363/1	Reglagebygel	Lever, Engine Brake Black	Black
7	1	181030087/0	Motorbromswire	Cable, Thread Engine Brake	GGP /B&S Engine
8	1	112727788/0	Skruv	Screw	
9	1	112154510/0	Mutter	Nut	
10	1	181003364/0	Spak Handtag	Drive Control Lever	Black
11	1	381030051/0	Kopplingswire	Cable Rear Drive	
12	1	181005512/0	Gasreglage	Throttle Cable	



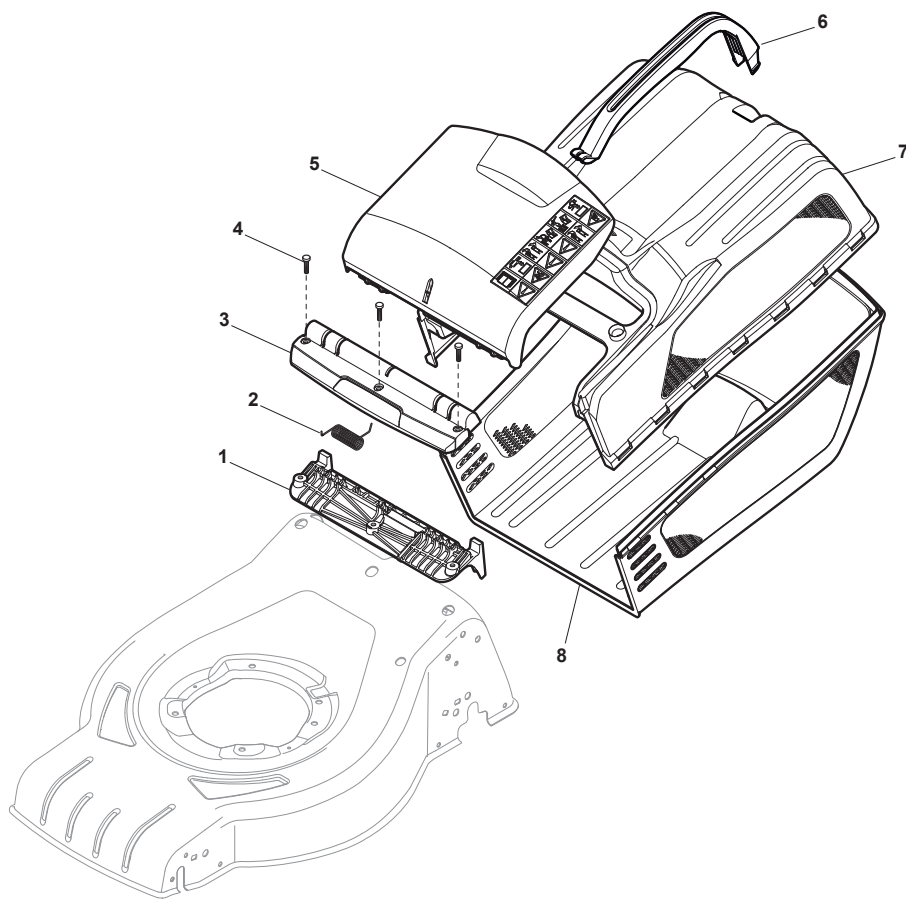
Utgåva Issue 22 - 2015		Bakhjulsdrivning		Transmission	
Pos. Fig.	Antal Q.ty	Art nr Part No	Benämning	Description	Anmärkning Notes
1	4	112608600/0	Segersäkringsåkring Sga12	Seeger	
2	1	122570134/0	Drev	Left Pinion	
3	1	122570133/0	Drev	Right Pinion	
4	2	322042067/0	Bussning	Bushing	
5	2	112521371/0	Bricka	Washer	
6	1	181003092/0	Transmission kpl	Gear Box	
7	1	122601904/0	Remskiva	Pulley	
8	1	112645700/0	Spännstift	Elastic Pin	
9	1	122033283/0	Justerstang	Adjustment Rod	
10	1	135064196/0	Drivrem	Belt	
11	1	122041957/1	Bussning	Bushing	
12	1	122450063/0	Fjäder	Spring	
13	1	322680009/0	Bricka	Washer	
14	1	112154510/0	Mutter	Nut	
15	1	122110230/0	Navkapsel	Hub Cover	
16	2	122753000/0	Spännstift	Pin	



Utgåva Issue 22 - 2015		Hjul och navkapsel Wheels and Hub Caps			
Pos. Fig.	Antal Q.ty	Art nr Part No	Benämning	Description	Anmärkning Notes
1	2	381007416/2	Hjul	Wheel	
2	4	119216035/0	Lager	Bearing	
3	2	322110746/0	Navkapsel	Hub Cap Grey	Grey
5	2	381007417/2	Hjul	Wheel	
6	4	119216035/0	Lager	Bearing	
7	6	112728706/0	Skruv	Screw	
8	2	322120115/0	Drev	Wheels Crown	
9	2	322110744/0	Navkapsel Gra	Hub Cap Grey	Grey



Utgåva Issue 22 - 2015		Kniv Blade			
Pos. Fig.	Antal Q.ty	Art nr Part No	Benämning	Description	Anmärkning Notes
1	3	112691115/0	Skruv	Screw	
2	1	122465607/3	Knivfäste D22,2	Hub With Pulley, Crankshaft Ø 22.2	
3	1	181004459/0	Kniv	Blade	
4	1	122160400/0	Fjäderbricka	Elastic Disc	
5	1	112523080/0	Bricka	Washer	
6	1	112735698/0	Skruv	Screw	
7	1	112139100/0	Kil D22Mm	Feather, Crankshaft Ø 22	
8	3	112154210/0	Mutter	Nut	





Utgåva Issue 22 - 2015		Gräsuppsamlare Grass-Catcher			
Pos. Fig.	Antal Q.ty	Art nr Part No	Benämning	Description	Anmärkning Notes
1	1	322785331/0	Stenskydd Supp. Svart	Black Stone Guard Support	
2	1	122450464/0	Fjäder	Spring	
3	1	322109556/0	Stenskydd Supp.kapa gul	Stone Guard Supp. Cover Yellow	Yellow
4	3	112728699/0	Skruv	Screw	
5	1	322600214/1	Lucka-gul	Stone Guard, Yellow	Yellow
6	1	322393716/0	Handtag Cr/Cs gra Ncss8000	Handle, Grey	Grey NCSS-N
7	1	322486387/0	Uppsamlarecat.Up.Part gra Ncs8000 Cr/Cs	Grassbox Upper Part, Grey	Grey NCSS-N
8	1	322486388/0	Uppsamlarecat.underdel gra Ncss8000 Cr/Cs	Grassbox Lower Part, Grey	Grey NCSS-N

code	pos.	q.ty	page				
112139100/0	7	1	p. 15	322108302/0	4	1	p. 3
112154210/0	8	3	p. 15	322108308/0	2	1	p. 3
112154510/0	4	1	p. 9	322109556/0	3	1	p. 17
112154510/0	9	1	p. 9	322110744/0	9	2	p. 13
112154510/0	14	1	p. 11	322110746/0	3	2	p. 13
112154510/0	17	1	p. 5	322120115/0	8	2	p. 13
112155000/0	5	2	p. 5	322140244/0	11	1	p. 3
112155000/0	11	2	p. 7	322393716/0	6	1	p. 17
112155000/0	22	2	p. 5	322486387/0	7	1	p. 17
112293200/0	5	2	p. 7	322486388/0	8	1	p. 17
112293200/0	10	2	p. 7	322545142/0	2	2	p. 5
112369500/0	13	2	p. 7	322545152/0	12	2	p. 5
112436051/0	6	2	p. 5	322545213/0	6	2	p. 3
112521330/0	3	1	p. 9	322600214/1	5	1	p. 17
112521350/0	4	2	p. 5	322600240/0	18	2	p. 5
112521350/0	12	2	p. 7	322680009/0	13	1	p. 11
112521350/0	21	2	p. 5	322785331/0	1	1	p. 17
112521371/0	5	2	p. 11	322869679/0	7	1	p. 5
112523080/0	5	1	p. 15	381003357/0	15	1	p. 5
112608600/0	1	4	p. 11	381004730/0	1	1	p. 3
112645700/0	8	1	p. 11	381005165/0	9	1	p. 3
112691115/0	1	3	p. 15	381005167/0	7	1	p. 3
112727788/0	8	1	p. 9	381006753/0	1	1	p. 9
112727801/0	8	6	p. 3	381007416/2	1	2	p. 13
112728530/0	12	2	p. 3	381007417/2	5	2	p. 13
112728698/0	3	4	p. 5	381007538/0	1	1	p. 7
112728698/0	11	4	p. 5	381008691/0	15	1	p. 7
112728699/0	3	6	p. 3	381030051/0	11	1	p. 9
112728699/0	4	3	p. 17	381302849/0	13	1	p. 5
112728699/0	5	6	p. 3	381302853/0	1	1	p. 5
112728706/0	7	6	p. 13				
112735698/0	6	1	p. 15				
112760605/0	14	2	p. 7				
112818900/0	7	2	p. 7				
112819110/0	2	2	p. 7				
118390020/0	5	1	p. 9				
119216035/0	2	4	p. 13				
119216035/0	6	4	p. 13				
122033283/0	9	1	p. 11				
122041957/1	11	1	p. 11				
122110230/0	15	1	p. 11				
122160400/0	4	1	p. 15				
122399900/0	4	2	p. 7				
122399900/0	9	2	p. 7				
122430313/0	2	1	p. 9				
122446192/0	16	1	p. 5				
122446193/0	9	1	p. 5				
122450063/0	12	1	p. 11				
122450464/0	2	1	p. 17				
122465607/3	2	1	p. 15				
122519823/0	8	2	p. 5				
122534131/0	14	1	p. 5				
122570133/0	3	1	p. 11				
122570134/0	2	1	p. 11				
122601904/0	7	1	p. 11				
122671651/0	3	2	p. 7				
122753000/0	16	2	p. 11				
135064196/0	10	1	p. 11				
181003092/0	6	1	p. 11				
181003363/1	6	1	p. 9				
181003364/0	10	1	p. 9				
181004459/0	3	1	p. 15				
181005512/0	12	1	p. 9				
181030087/0	7	1	p. 9				
322042067/0	4	2	p. 11				
322060250/0	10	1	p. 3				