



Reservdelskatalog Parts Catalogue

PARK 100B

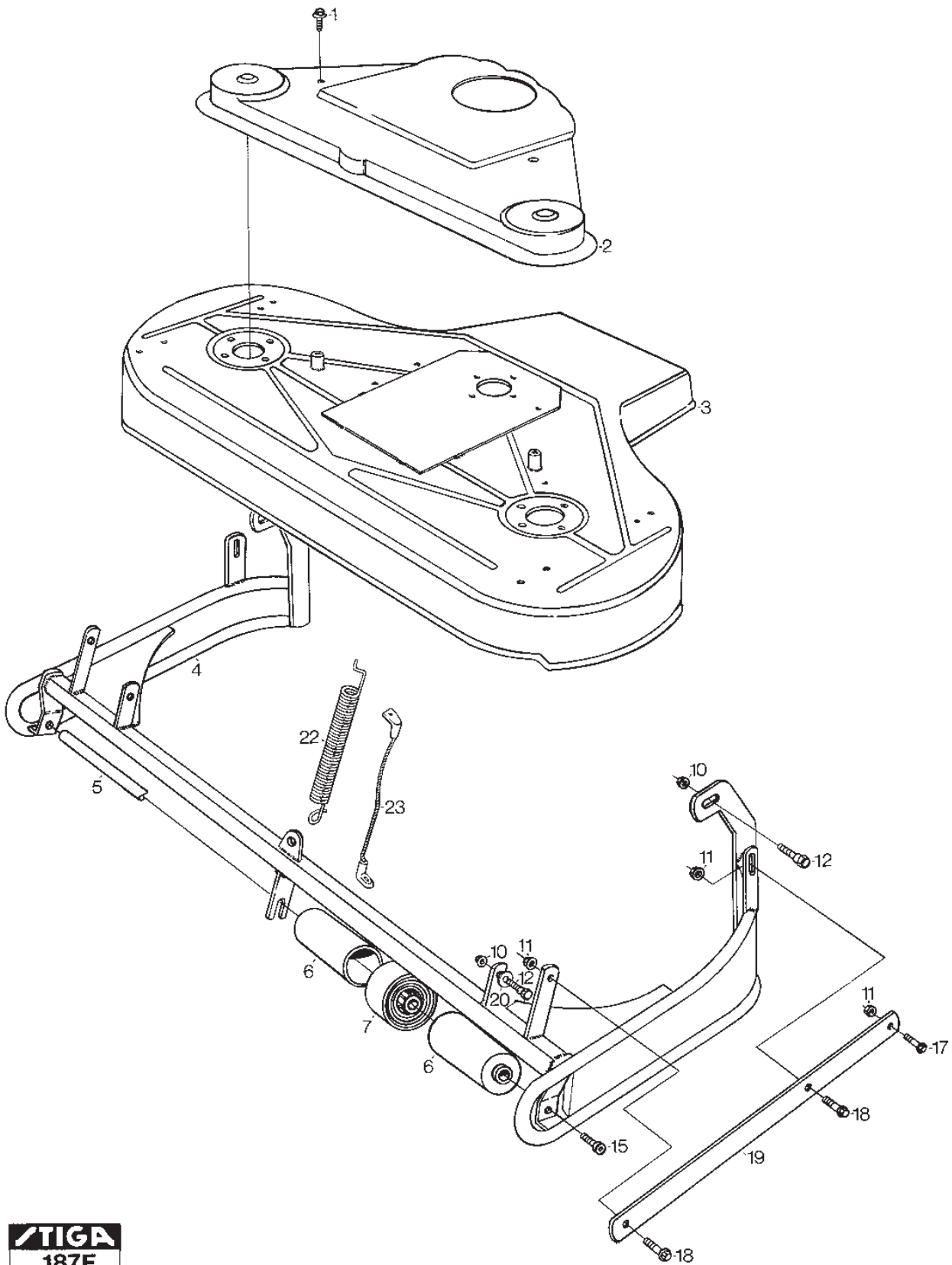
13-2919-13 - Season 1994

- Use GLOBAL GARDEN PRODUCT Genuine Spare Parts specified in the parts list for repair and/or replacement.
 - The contents described in the parts list may change due to improvement.
 - The drawings of the spare parts are only indicative and might not represent the part in question exactly.
 - The indications "right" - "left" - "front" - "rear" refer to the position of the operator when using the machine.
- When placing orders of parts for repair and/or replacement, make sure that the illustrated parts list is the one applying to the machine's year of manufacture, as shown on the identification plate attached to the machine.

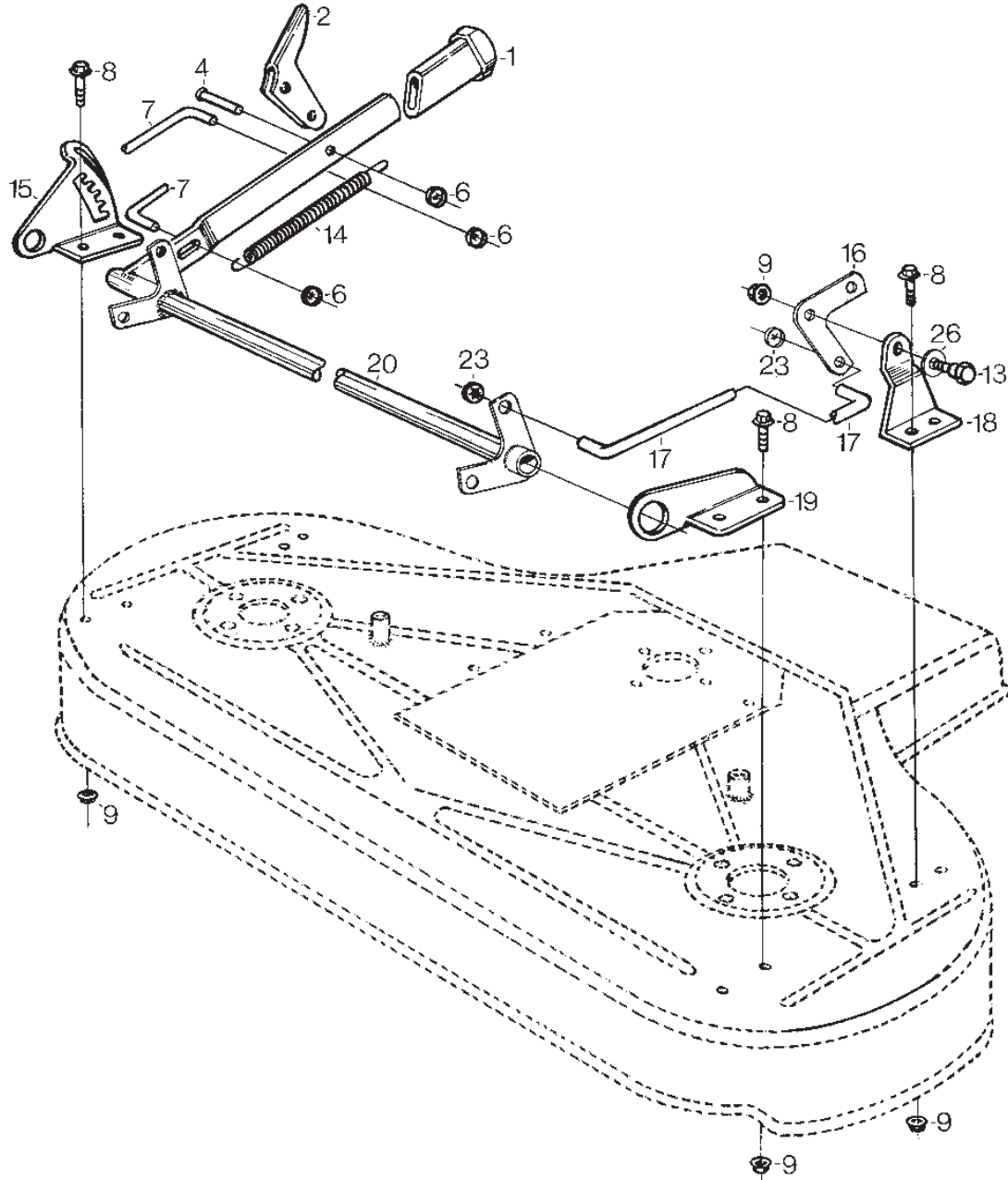
© Copyright 2014 Global Garden Products

All rights reserved. No part of this material may be reproduced or transmitted, in any form or by any means, electronic or mechanical, including photocopying, recording or by any information storage and retrieval system, without permission in writing from GLOBAL GARDEN PRODUCTS.

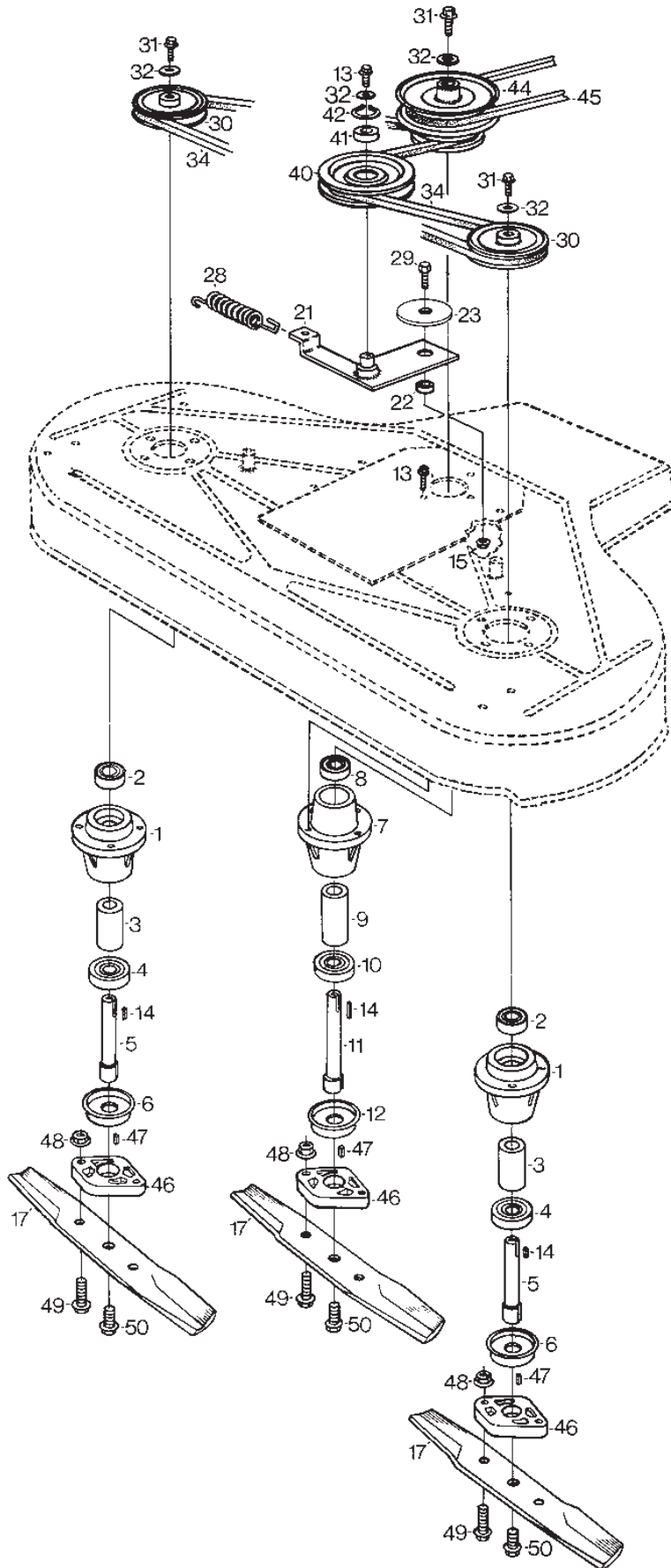
www.stiga.com



Utgåva Issue 41 - 2014		Ram	Mower Deck 100B Frame		
Pos. Fig.	Antal Quantity	Art nr Part No	Benämning	Description	Anmärkning Notes
1	2	9942-0816-16	Skruv	Screw	
2	1	1134-1767-01	Transmissionskåpa 5-01 02	Transmission Casing	
3	1	1134-2193-01	Kåpa Kpl. 40" 1-00 01	Casing	
4	1	1134-1271-01	Ram Kpl 1-00 01	Frame Cutterh Park Yellow	
5	1	1134-0304-03	Axel För Stödrullar	Shaft Cutterhead	
6	8	1134-0299-00	Skyddsruhle	Guard Roller	
7	4	1134-0305-00	Stödhjul	Casing Wheel	
10	4	9739-0831-22	Mutter	Nut	
10	4	9747-0831-02	Mutter Låsmutter	Nut	
11	6	9739-1031-22	Mutter	Nut	
12	4	1134-0240-00	Skruv	Screw	
15	2	9935-1020-16	Skruv	Screw	
17	2	9898-1035-16	Skruv	Screw	
18	4	9959-1025-16	Skruv	Screw	
19	2	1134-0369-03	Fäststag	Attaching Bar	
20	2	9665-0002-00	Bricka	Washer	
22	1	1134-2535-01	Fjäder	Spring	
23	1	1134-2314-01	Lyftwire	Wire	



Utgåva Issue 41 - 2014		Reglage Mower Deck 100B Controls			
Pos. Fig.	Antal Quantity	Art nr Part No	Benämning	Description	Anmärkning Notes
1	1	1134-1069-01	Höjdinställningshandtag	Handle	
2	1	1134-1326-01	Reglageöra	Control Lug	
4	1	9646-0064-22	Nit Kn 6X18	Rivet	
6	3	9675-0009-02	Starlockbricka	Starlock	
7	1	1134-0343-00	Höjdinställningsslid	Slide	
8	8	9959-0816-16	Skruv	Screw	
8	8	9959-0820-16	Skruv	Screw	
9	10	9739-0831-22	Mutter	Nut	
13	2	1134-0240-00	Skruv	Screw	
14	1	1134-0361-00	Fjäder	Spring	
15	1	1134-0457-04	Höjdsegment	Height Adjusting Plate	
16	2	1134-2907-03	Pivotplatta 5-01 24	Pivoting Plate	
17	2	1134-1833-02	Stag För Höjdinst	Rod	
18	2	1134-0328-04	Kåpkonsol (5-01 F24)	Casing Bracket	
19	1	1134-0312-04	Parallellstagsfäste	Tie Rod Bracket	
20	1	1134-0425-04	Parallellstag	Tie Rod	
23	4	9675-0012-02	Starlock	Locking washer	
26	2	9665-0002-00	Bricka	Washer	



Utgåva Issue 41 - 2014		Knivar	Mower Deck 100B Blades		
Pos. Fig.	Antal Quantity	Art nr Part No	Benämning	Description	Anmärkning Notes
1	2	1134-0428-01	Lagerbox Smst Ema	Bearing Box Assy.	
2	1	9549-0019-00	Kullager	Ball Bearing	
3	1	1134-0051-05	Distans	Spacer	
4	1	9549-0020-00	Kullager	Ball Bearing	
5	1	1134-0397-01	Knivaxel	Blade Shaft	
6	1	1134-0400-01	Bricka	Washer	
7	1	1134-0430-01	Lagerbox Smst Service	Bearing Box Assy	
8	1	9549-0019-00	Kullager	Ball Bearing	
9	1	1134-0051-06	Distans	Spacer	
10	1	9549-0020-00	Kullager	Ball Bearing	
11	1	1134-0397-02	Knivaxel	Blade Shaft	
12	1	1134-0400-01	Bricka	Washer	
13	13	9942-0816-16	Skruv	Screw	
13	13	9945-0816-16	Skruv	Screw	
14	3	1134-0323-00	Plattkil	Key	
15	1	9739-0831-22	Mutter	Nut	
17	1	1134-9001-01	Kniv	Blade	Sats 3 st/kit of 3
21	1	1134-0325-02	Spännarm	Tensioning Arm	
22	1	1131-1684-00	Distans	Spacer	
23	1	9699-0109-02	Bricka	Washer	
28	1	1134-0327-00	Fjäder	Spring	
29	1	9959-0820-16	Skruv	Screw	
29	1	9997-0820-16	Skruv	Screw	
30	2	1134-1285-01	Remskiva	Belt Pulley	
31	3	9958-0820-16	Skruv	Screw	
32	4	9699-0056-02	Bricka	Washer	
34	1	1134-9006-01	Kilrem	V-Belt	= 9585-0108-00
40	1	1134-0698-00	Spännrulle kpl	Tensioning Roller Compl	
41	1	9549-0017-00	Kullager	Ball Bearing	
42	1	9651-0035-04	Spårring Sgh 35	Circlip	
44	1	1134-1738-01	Remskiva	Belt Pulley	
45	1	1134-9011-01	Kilrem	V-Belt	= 9585-0054-00
46	1	1134-9000-01	Knivfäste	Blade Holder	Sats 3 st/kit of 3
46	3	1134-2082-01	Knivfäste	Blade Holder	
46	1	1134-9000-01	Knivfäste	Blade Holder	
46	3	1134-2082-01	Knivfäste	Blade Holder	
47	3	1134-0323-00	Plattkil	Key	
48	6	9739-0831-22	Mutter	Nut	
49	6	9959-0830-16	Skruv	Screw	
50	3	9991-1024-19	Skruv	Screw	

code	pos.	q.ty	page				
1131-1684-00	22	1	p. 7	9942-0816-16	13	13	p. 7
1134-0051-05	3	1	p. 7	9945-0816-16	13	13	p. 7
1134-0051-06	9	1	p. 7	9958-0820-16	31	3	p. 7
1134-0240-00	12	4	p. 3	9959-0816-16	8	8	p. 5
1134-0240-00	13	2	p. 5	9959-0820-16	8	8	p. 5
1134-0299-00	6	8	p. 3	9959-0820-16	29	1	p. 7
1134-0304-03	5	1	p. 3	9959-0830-16	49	6	p. 7
1134-0305-00	7	4	p. 3	9959-1025-16	18	4	p. 3
1134-0312-04	19	1	p. 5	9991-1024-19	50	3	p. 7
1134-0323-00	14	3	p. 7	9997-0820-16	29	1	p. 7
1134-0323-00	47	3	p. 7				
1134-0325-02	21	1	p. 7				
1134-0327-00	28	1	p. 7				
1134-0328-04	18	2	p. 5				
1134-0343-00	7	1	p. 5				
1134-0361-00	14	1	p. 5				
1134-0369-03	19	2	p. 3				
1134-0397-01	5	1	p. 7				
1134-0397-02	11	1	p. 7				
1134-0400-01	6	1	p. 7				
1134-0400-01	12	1	p. 7				
1134-0425-04	20	1	p. 5				
1134-0428-01	1	2	p. 7				
1134-0430-01	7	1	p. 7				
1134-0457-04	15	1	p. 5				
1134-0698-00	40	1	p. 7				
1134-1069-01	1	1	p. 5				
1134-1271-01	4	1	p. 3				
1134-1285-01	30	2	p. 7				
1134-1326-01	2	1	p. 5				
1134-1738-01	44	1	p. 7				
1134-1767-01	2	1	p. 3				
1134-1833-02	17	2	p. 5				
1134-2082-01	46	3	p. 7				
1134-2082-01	46	3	p. 7				
1134-2193-01	3	1	p. 3				
1134-2314-01	23	1	p. 3				
1134-2535-01	22	1	p. 3				
1134-2907-03	16	2	p. 5				
1134-9000-01	46	1	p. 7				
1134-9000-01	46	1	p. 7				
1134-9001-01	17	1	p. 7				
1134-9006-01	34	1	p. 7				
1134-9011-01	45	1	p. 7				
9549-0017-00	41	1	p. 7				
9549-0019-00	2	1	p. 7				
9549-0019-00	8	1	p. 7				
9549-0020-00	4	1	p. 7				
9549-0020-00	10	1	p. 7				
9646-0064-22	4	1	p. 5				
9651-0035-04	42	1	p. 7				
9665-0002-00	20	2	p. 3				
9665-0002-00	26	2	p. 5				
9675-0009-02	6	3	p. 5				
9675-0012-02	23	4	p. 5				
9699-0056-02	32	4	p. 7				
9699-0109-02	23	1	p. 7				
9739-0831-22	9	10	p. 5				
9739-0831-22	10	4	p. 3				
9739-0831-22	15	1	p. 7				
9739-0831-22	48	6	p. 7				
9739-1031-22	11	6	p. 3				
9747-0831-02	10	4	p. 3				
9898-1035-16	17	2	p. 3				
9935-1020-16	15	2	p. 3				
9942-0816-16	1	2	p. 3				