

STIGA

Reservdelskatalog Parts Catalogue

PARK 100B

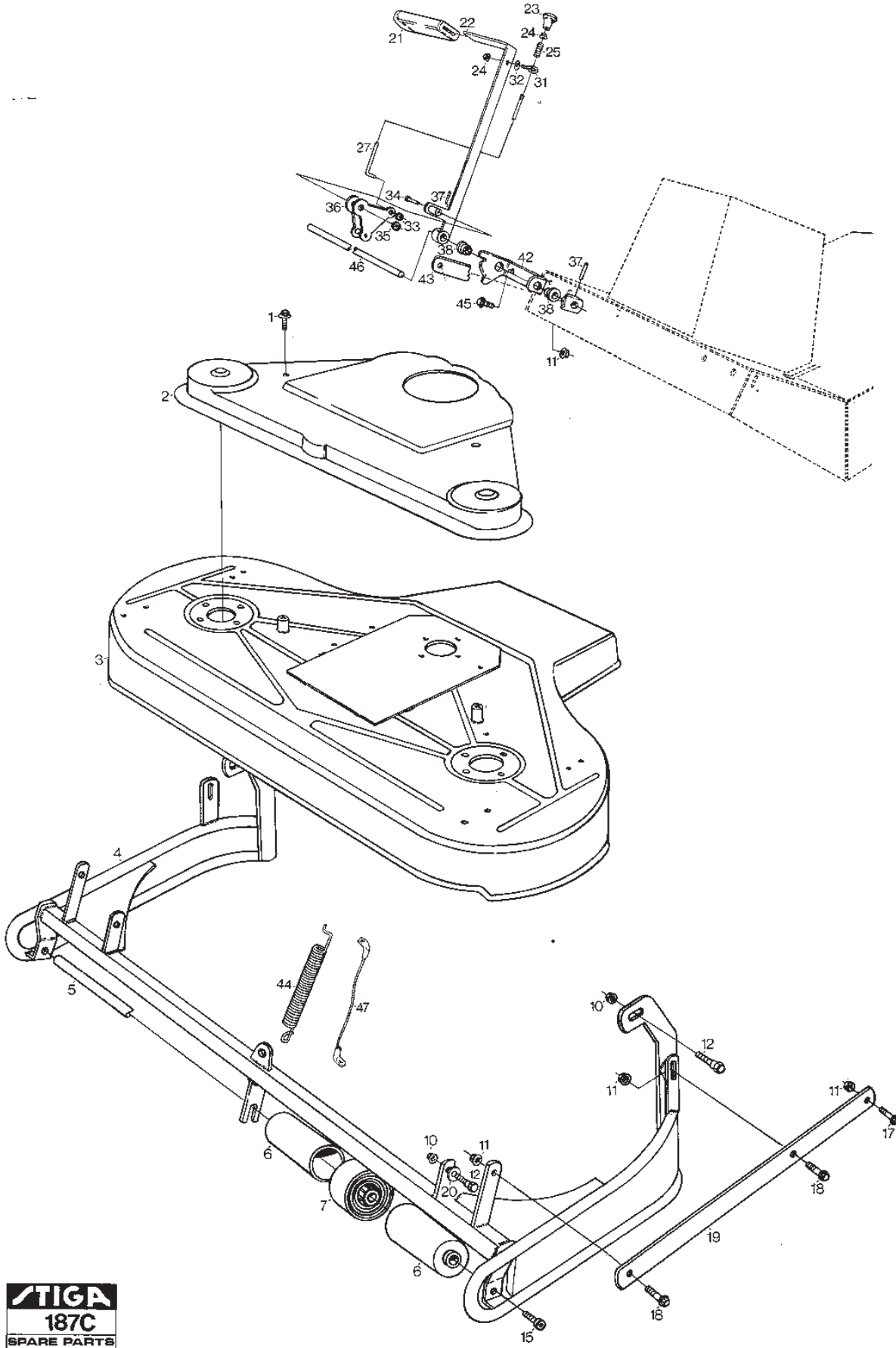
13-2919-92 - Season 1989

- Use GLOBAL GARDEN PRODUCT Genuine Spare Parts specified in the parts list for repair and/or replacement.
 - The contents described in the parts list may change due to improvement.
 - The drawings of the spare parts are only indicative and might not represent the part in question exactly.
 - The indications "right" - "left" - "front" - "rear" refer to the position of the operator when using the machine.
- When placing orders of parts for repair and/or replacement, make sure that the illustrated parts list is the one applying to the machine's year of manufacture, as shown on the identification plate attached to the machine.

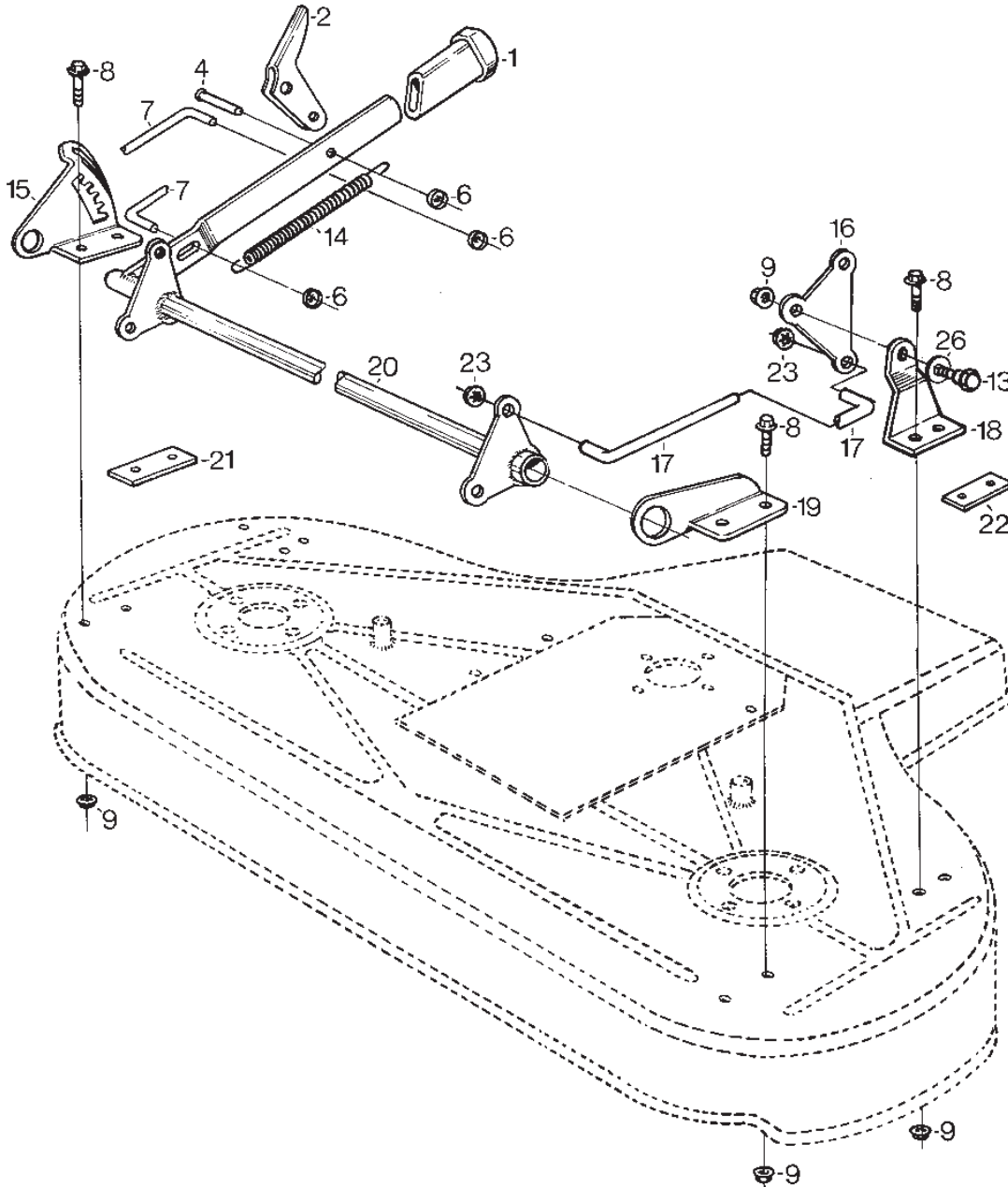
© Copyright 2014 Global Garden Products

All rights reserved. No part of this material may be reproduced or transmitted, in any form or by any means, electronic or mechanical, including photocopying, recording or by any information storage and retrieval system, without permission in writing from GLOBAL GARDEN PRODUCTS.

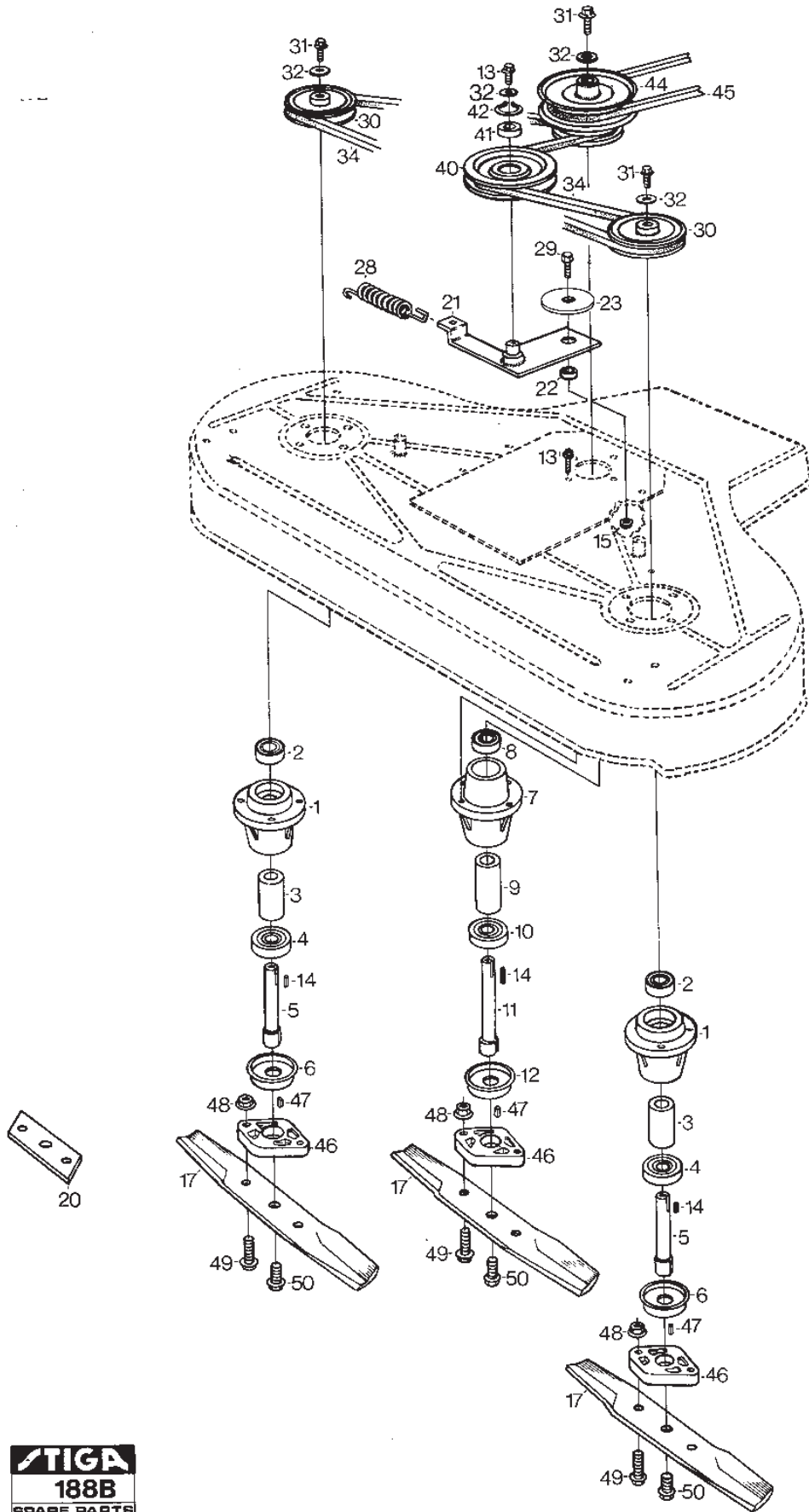
www.stiga.com



Utgåva Issue 32 - 2014		Ram Redskapslyft		Mower Deck 100B Frame Lifting Device	
Pos. Fig.	Antal Q.ty	Art nr Part No	Benämning	Description	Anmärkning Notes
33	1	9675-0008-02	Starlockbricka	Starlock	
35	1	9675-0012-02	Starlock	Locking washer	
0	1	13-2919-92	Klippaggregat kpl	Mower deck assy	
25	1	1111-0053-00	Fjäder	Spring	
12	4	1134-0240-00	Skruv	Screw	
6	8	1134-0299-00	Skyddsrule	Guard Roller	
5	1	1134-0304-03	Axel För Stödrullar	Shaft Cutterhead	
7	3	1134-0305-00	Stödhjul	Casing Wheel	
19	2	1134-0369-03	Fäststag	Attaching Bar	
20	1	1134-0410-08	röds kapslyft Smstpark	Lifting Device Assy	
42	1	1134-0536-00	Lyftsegment	Locking Plate	
23	1	1134-0583-00	Knopp	Knob	
43	1	1134-0857-00	Arm Kpl.	Arm	
27	1	1134-0858-00	Tryckstång	Push Rod	
22	1	1134-0859-03	Svärd	Bar	
4	1	1134-1271-01	Ram Kpl 1-00 01	Frame Cutterh Park Yellow	
2	1	1134-1767-01	Transmissionskåpa 5-01 02	Transmission Casing	
46	1	1134-1884-01	Lyftaxel	Lifting Shaft	
46	1	1134-1884-02	Lyftaxel sidutk.agg	Lifting Shaft	
31	1	1134-1889-01	Skruvögla	Eye Bolt	
3	1	1134-2193-01	Kåpa Kpl. 40" 1-00 01	Casing	
47	1	1134-2314-01	Lyftwire	Wire	
15	2	1134-2349-01	Skruv	Screw	
44	1	1134-2535-01	Fjäder	Spring	
38	2	1134-2684-01	Lager	Bearing	
36	1	1134-2911-01	Låshake	Locking Pawl	
21	1	9403-0110-01	Höjdinst.Handtag Ej Kapad	Handle	
37	2	9595-0258-00	Spännstift	Locating Pin	
34	1	9646-0099-22	Nit Kn 8X30	Rivet	
20	2	9665-0002-00	Bricka	Washer	
32	1	9699-0025-02	Bricka	Washer	
24	2	9739-0631-22	Mutter Strålkastare	Nut Working lamp	
10	4	9739-0831-22	Mutter	Nut	
11	8	9739-1031-22	Mutter	Nut	
1	2	9942-0816-16	Skruv	Screw	
45	2	9959-1020-16	Skruv	Screw	
18	4	9959-1025-16	Skruv	Screw	
17	2	9997-1035-16	Skruv	Screw	



Utgåva Issue 32 - 2014		Reglage Mower Deck 100B Controls			
Pos. Fig.	Antal Q.ty	Art nr Part No	Benämning	Description	Anmärkning Notes
6	3	9675-0009-02	Starlockbricka	Starlock	
23	4	9675-0012-02	Starlock	Locking washer	
0	1	13-2919-92	Klippaggregat kpl	Mower deck assy	
13	2	1134-0240-00	Skruv	Screw	
19	1	1134-0312-04	Parallellstagsfäste	Tie Rod Bracket	
18	2	1134-0328-04	Kåpkonsol (5-01 F24)	Casing Bracket	
7	1	1134-0343-00	Höjdinställningsslid	Slide	
14	1	1134-0361-00	Fjäder	Spring	
20	1	1134-0425-04	Parallellstag	Tie Rod	
15	1	1134-0457-04	Höjdsegment	Height Adjusting Plate	
1	1	1134-1069-01	Höjdinställningshandtag	Handle	
2	1	1134-1326-01	Reglageöra	Control Lug	
17	2	1134-1833-02	Stag För Höjdinst	Rod	
16	2	1134-2907-03	Pivotplatta 5-01 24	Pivoting Plate	
4	1	9646-0064-22	Nit Kn 6X18	Rivet	
26	2	9665-0002-00	Bricka	Washer	
9	10	9739-0831-22	Mutter	Nut	
8	8	9959-0816-16	Skruv	Screw	



Utgåva Issue 32 - 2014		Knivar	Mower Deck 100B Blades		
Pos. Fig.	Antal Q.ty	Art nr Part No	Benämning	Description	Anmärkning Notes
0	1	13-2919-12	Klippaggregat kpl	Mower deck assy	S,N,DK,SF,D,CH,A,EI
0	1	13-2919-13	Klippaggregat kpl	Mowing deck assy	S,N,DK,SF,D,CH,A,EI
0	1	13-2919-92	Klippaggregat kpl	Mower deck assy	
0	1	13-2919-92	Klippaggregat kpl	Mower deck assy	
22	1	1131-1684-00	Distans	Spacer	
3	1	1134-0051-05	Distans	Spacer	
9	1	1134-0051-06	Distans	Spacer	
14	3	1134-0323-00	Plattkil	Key	
47	3	1134-0323-00	Plattkil	Key	
21	1	1134-0325-02	Spännarm	Tensioning Arm	
28	1	1134-0327-00	Fjäder	Spring	
5	1	1134-0397-01	Knivaxel	Blade Shaft	
11	1	1134-0397-02	Knivaxel	Blade Shaft	
6	1	1134-0400-01	Bricka	Washer	
12	1	1134-0400-01	Bricka	Washer	
1	2	1134-0428-01	Lagerbox Smst Ema	Bearing Box Assy.	
7	1	1134-0430-01	Lagerbox Smst Service	Bearing Box Assy	
40	1	1134-0698-00	Spännrulle kpl	Tensioning Roller Compl	
30	2	1134-1285-01	Remskiva	Belt Pulley	
44	1	1134-1738-01	Remskiva	Belt Pulley	
46	3	1134-2082-01	Knivfäste	Blade Holder	
46	1	1134-9000-01	Knivfäste	Blade Holder	
17	1	1134-9001-01	Kniv	Blade	
34	1	1134-9006-01	Kilrem	V-Belt	= 9585-0108-00
45	1	1134-9011-01	Kilrem	V-Belt	= 9585-0054-00
41	1	9549-0017-00	Kullager	Ball Bearing	
2	1	9549-0019-00	Kullager	Ball Bearing	
8	1	9549-0019-00	Kullager	Ball Bearing	
4	1	9549-0020-00	Kullager	Ball Bearing	
10	1	9549-0020-00	Kullager	Ball Bearing	
42	1	9651-0035-04	Spårring Sgh 35	Circlip	
32	4	9699-0056-02	Bricka	Washer	
23	1	9699-0109-02	Bricka	Washer	
48	6	9739-0831-22	Mutter	Nut	
15	1	9739-0831-22	Mutter	Nut	
13	13	9942-0816-16	Skruv	Screw	
31	3	9958-0820-16	Skruv	Screw	
49	6	9959-0830-16	Skruv	Screw	
50	3	9991-1024-19	Skruv	Screw	
29	1	9997-0820-16	Skruv	Screw	

code	pos.	q.ty	page				
13-2919-12	0	1	p. 7	9549-0020-00	10	1	p. 7
13-2919-13	0	1	p. 7	9595-0258-00	37	2	p. 3
13-2919-92	0	1	p. 3	9646-0064-22	4	1	p. 5
13-2919-92	0	1	p. 5	9646-0099-22	34	1	p. 3
13-2919-92	0	1	p. 7	9651-0035-04	42	1	p. 7
13-2919-92	0	1	p. 7	9665-0002-00	20	2	p. 3
13-2919-92	0	1	p. 7	9665-0002-00	26	2	p. 5
1111-0053-00	25	1	p. 3	9675-0008-02	33	1	p. 3
1131-1684-00	22	1	p. 7	9675-0009-02	6	3	p. 5
1134-0051-05	3	1	p. 7	9675-0012-02	23	4	p. 5
1134-0051-06	9	1	p. 7	9675-0012-02	35	1	p. 3
1134-0240-00	12	4	p. 3	9699-0025-02	32	1	p. 3
1134-0240-00	13	2	p. 5	9699-0056-02	32	4	p. 7
1134-0299-00	6	8	p. 3	9699-0109-02	23	1	p. 7
1134-0304-03	5	1	p. 3	9739-0631-22	24	2	p. 3
1134-0305-00	7	3	p. 3	9739-0831-22	9	10	p. 5
1134-0312-04	19	1	p. 5	9739-0831-22	10	4	p. 3
1134-0323-00	14	3	p. 7	9739-0831-22	15	1	p. 7
1134-0323-00	47	3	p. 7	9739-0831-22	48	6	p. 7
1134-0325-02	21	1	p. 7	9739-1031-22	11	8	p. 3
1134-0327-00	28	1	p. 7	9942-0816-16	1	2	p. 3
1134-0328-04	18	2	p. 5	9942-0816-16	13	13	p. 7
1134-0343-00	7	1	p. 5	9958-0820-16	31	3	p. 7
1134-0361-00	14	1	p. 5	9959-0816-16	8	8	p. 5
1134-0369-03	19	2	p. 3	9959-0830-16	49	6	p. 7
1134-0397-01	5	1	p. 7	9959-1020-16	45	2	p. 3
1134-0397-02	11	1	p. 7	9959-1025-16	18	4	p. 3
1134-0400-01	6	1	p. 7	9991-1024-19	50	3	p. 7
1134-0400-01	12	1	p. 7	9997-0820-16	29	1	p. 7
1134-0410-08	20	1	p. 3	9997-1035-16	17	2	p. 3
1134-0425-04	20	1	p. 5				
1134-0428-01	1	2	p. 7				
1134-0430-01	7	1	p. 7				
1134-0457-04	15	1	p. 5				
1134-0536-00	42	1	p. 3				
1134-0583-00	23	1	p. 3				
1134-0698-00	40	1	p. 7				
1134-0857-00	43	1	p. 3				
1134-0858-00	27	1	p. 3				
1134-0859-03	22	1	p. 3				
1134-1069-01	1	1	p. 5				
1134-1271-01	4	1	p. 3				
1134-1285-01	30	2	p. 7				
1134-1326-01	2	1	p. 5				
1134-1738-01	44	1	p. 7				
1134-1767-01	2	1	p. 3				
1134-1833-02	17	2	p. 5				
1134-1884-01	46	1	p. 3				
1134-1884-02	46	1	p. 3				
1134-1889-01	31	1	p. 3				
1134-2082-01	46	3	p. 7				
1134-2193-01	3	1	p. 3				
1134-2314-01	47	1	p. 3				
1134-2349-01	15	2	p. 3				
1134-2535-01	44	1	p. 3				
1134-2684-01	38	2	p. 3				
1134-2907-03	16	2	p. 5				
1134-2911-01	36	1	p. 3				
1134-9000-01	46	1	p. 7				
1134-9001-01	17	1	p. 7				
1134-9006-01	34	1	p. 7				
1134-9011-01	45	1	p. 7				
9403-0110-01	21	1	p. 3				
9549-0017-00	41	1	p. 7				
9549-0019-00	2	1	p. 7				
9549-0019-00	8	1	p. 7				
9549-0020-00	4	1	p. 7				