



Reservdelskatalog Parts Catalogue

PARK 100B

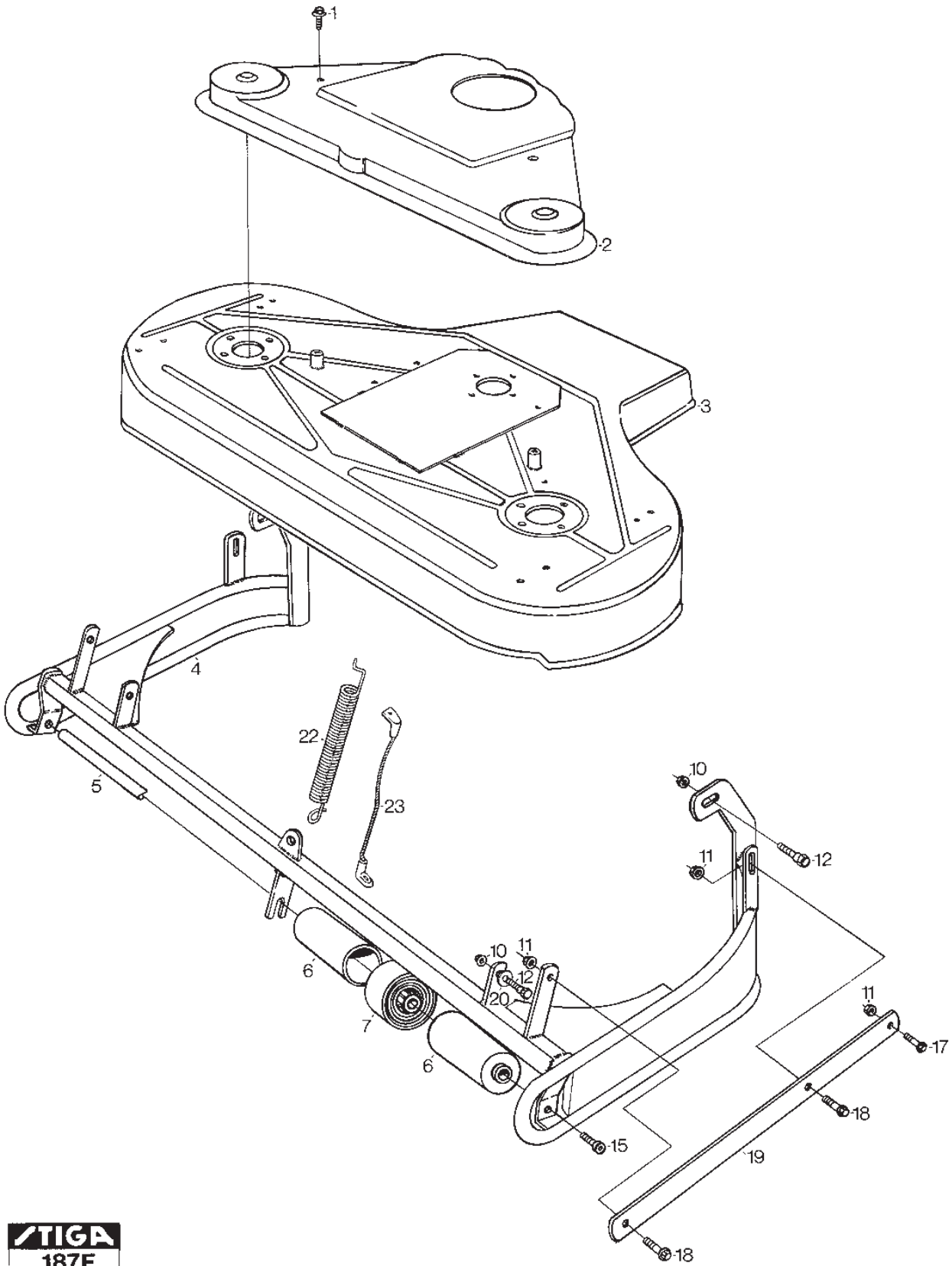
13-2922-22 - Season 1999

- Use GLOBAL GARDEN PRODUCT Genuine Spare Parts specified in the parts list for repair and/or replacement.
 - The contents described in the parts list may change due to improvement.
 - The drawings of the spare parts are only indicative and might not represent the part in question exactly.
 - The indications "right" - "left" - "front" - "rear" refer to the position of the operator when using the machine.
- When placing orders of parts for repair and/or replacement, make sure that the illustrated parts list is the one applying to the machine's year of manufacture, as shown on the identification plate attached to the machine.

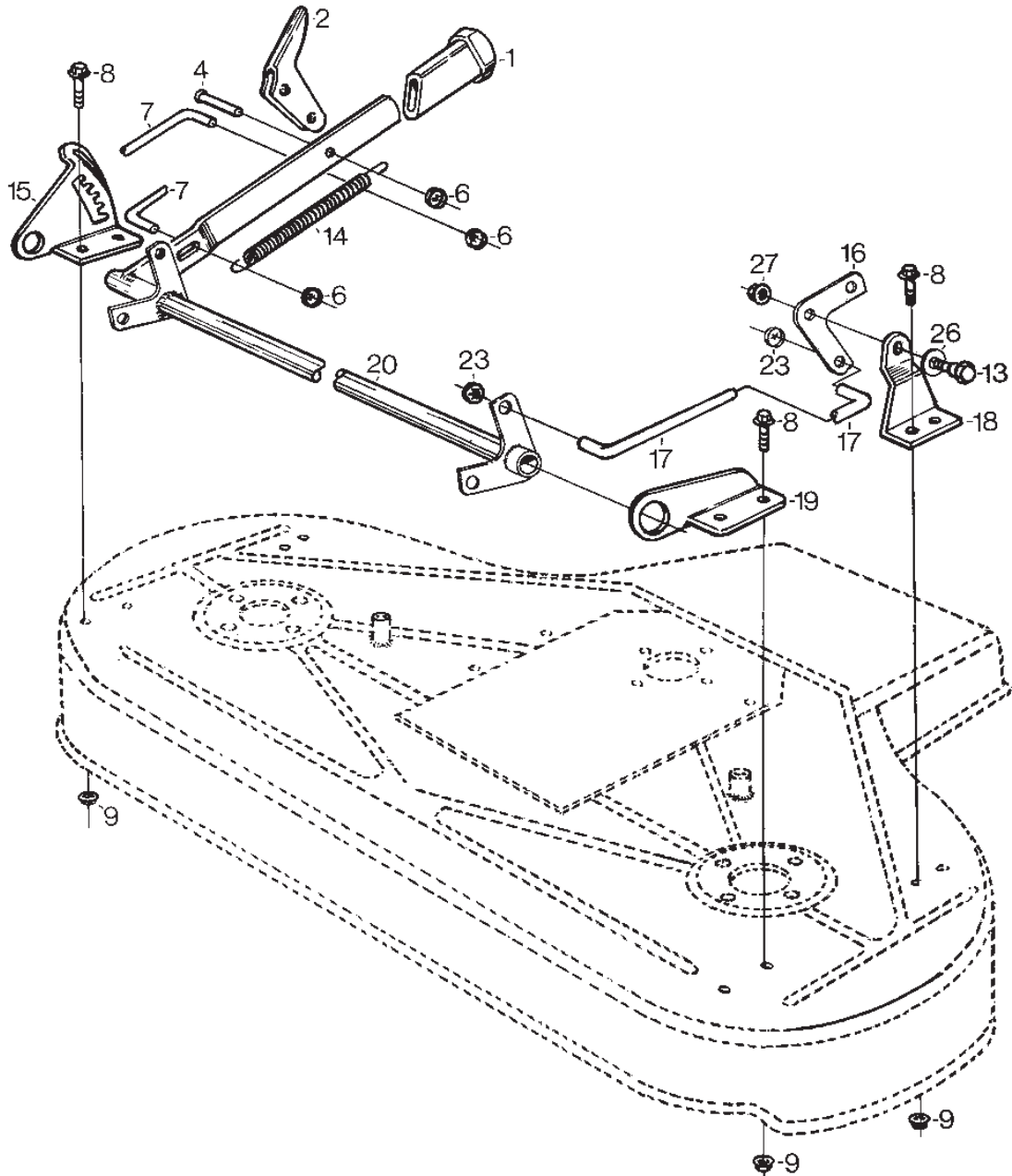
© Copyright 2014 Global Garden Products

All rights reserved. No part of this material may be reproduced or transmitted, in any form or by any means, electronic or mechanical, including photocopying, recording or by any information storage and retrieval system, without permission in writing from GLOBAL GARDEN PRODUCTS.

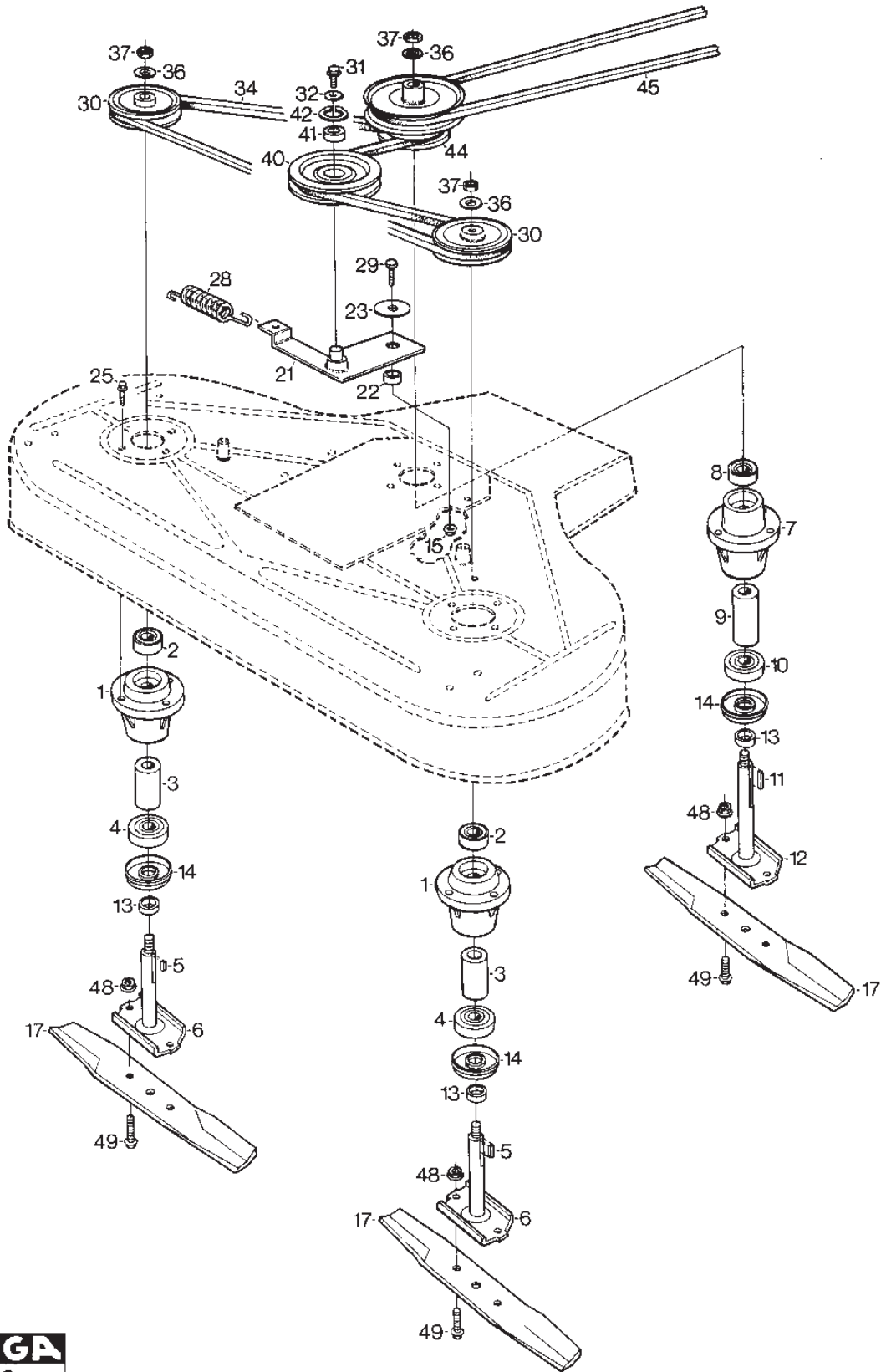
www.stiga.com



Utgåva Issue 48 - 2014		Mower Deck 100B Frame			
Pos. Fig.	Antal Quantity	Art nr Part No	Benämning	Description	Anmärkning Notes
		Ram			
1	2	9942-0816-16	Skruv	Screw	
1	2	9945-0816-16	Skruv	Screw	
2	1	1134-1767-01	Transmissionskapa	Transmission Casing	
3	1	1134-2193-01	Kapa Kpl. 40"	Casing	
4	1	1134-1271-01	Ram Kpl	Frame Cutterh Park Yellow	
5	1	1134-0304-03	Axel För Stödrullar	Shaft Cutterhead	
6	8	1134-0299-00	Skyddsrolle	Guard Roller	
7	4	1134-0305-00	Stödhjul	Casing Wheel	
10	4	9739-0831-22	Mutter	Nut	
10	4	9747-0831-02	Mutter Lasmutter	Nut	
11	6	9739-1031-22	Mutter	Nut	
12	4	1134-0240-00	Skruv	Screw	
15	2	9935-1020-16	Skruv	Screw	
17	2	9898-1035-16	Skruv	Screw	
18	4	9959-1025-16	Skruv	Screw	
19	2	1134-0369-03	Fäststag	Attaching Bar	
20	2	9665-0002-00	Bricka	Washer	
22	1	1134-2535-01	Fjäder	Spring	
23	1	1134-2314-01	Lyftwire	Wire	
98	1	9402-3124-00	Dekal	Label	Ej ill/not ill.
99	1	9402-3203-00	Dekal	Warning Label W.Symbols	Ej ill/not ill.



Utgåva Issue 48 - 2014		Reglage Mower Deck 100B Controls			
Pos. Fig.	Antal Quantity	Art nr Part No	Benämning	Description	Anmärkning Notes
1	1	1134-1069-01	Höjdinställningshandtag	Handle	
2	1	1134-1326-01	Reglageöra	Control Lug	
4	1	9646-0064-22	Nit Kn 6X18	Rivet	
6	3	9675-0009-02	Starlockbricka	Starlock	
7	1	1134-0343-00	Höjdinställningsslid	Slide	
8	8	9959-0820-16	Skruv	Screw	
9	8	9739-0831-22	Mutter	Nut	
13	2	1134-0240-00	Skruv	Screw	
14	1	1134-0361-00	Fjäder	Spring	
15	1	1134-0457-04	Höjdsegment	Height Adjusting Plate	
16	2	1134-2907-03	Pivotplatta 5-01 24	Pivoting Plate	
17	2	1134-1833-02	Stag För Höjdinst	Rod	
18	2	1134-0328-04	Kapkonsol	Casing Bracket	
19	1	1134-0312-04	Parallellstagsfäste	Tie Rod Bracket	
20	1	1134-0425-04	Parallellstag	Tie Rod	
23	4	9675-0012-02	Starlock	Locking washer	
26	2	9665-0002-00	Bricka	Washer	
27	2	9747-0831-02	Mutter Lasmutter	Nut	



Utgåva Issue 48 - 2014		Klippsystem Mower Deck 100B Blade System			
Pos. Fig.	Antal Quantity	Art nr Part No	Benämning	Description	Anmärkning Notes
1	2	1134-3841-01	Lagerbox Kpl.	Bearing Box Assy	
2	1	9549-0019-00	Kullager	Ball Bearing	
3	1	1134-0051-05	Distans	Spacer	
4	1	9549-0020-00	Kullager	Ball Bearing	
5	2	1134-0323-00	Plattkil	Key	L = 12 mm
6	2	1134-3767-03	Knivaxel	Blade Shaft	
7	1	1134-3841-02	Lagerbox Kpl (Mittre)	Bearing Box Assy	
8	1	9549-0019-00	Kullager	Ball Bearing	
9	1	1134-0051-06	Distans	Spacer	
10	1	9549-0020-00	Kullager	Ball Bearing	
11	1	1134-0323-01	Plattkil	Key	L = 25 mm
11	1	9600-0150-01	Plattkil	Key	L = 16 mm
12	1	1134-3767-01	Knivaxel	Blade Shaft	
12	1	1134-4600-01	Knivaxel	Blade Shaft	
13	3	1134-3725-02	Distans	Spacer	
14	3	1134-5130-01	Skyddsbricka	Bearing Cover	From 01-September-2007
15	1	9739-0831-22	Mutter	Nut	
17	1	1134-9001-01	Kniv	Blade	Sats 3 st/kit of 3
21	1	1134-0325-02	Spännarm	Tensioning Arm	
22	1	1131-1684-00	Distans	Spacer	
23	1	9699-0109-02	Bricka	Washer	
25	12	9945-0825-16	Skruv	Screw	
28	1	1134-0327-00	Fjäder	Spring	
29	1	9959-0820-16	Skruv	Screw	
30	2	1134-1285-01	Remskiva	Belt Pulley	
31	1	9945-0816-16	Skruv	Screw	
32	1	9699-0056-02	Bricka	Washer	
34	1	1134-9006-01	Kilrem	V-Belt	= 9585-0108-00
36	3	1134-5236-01	Bricka	Washer	From 01-September-2007
36	3	9699-0030-02	Bricka	Washer	10x26x0,2
37	3	1134-4775-01	Mutter	Nut	
40	1	1134-0698-00	Spännrulle kpl	Tensioning Roller Compl	
41	1	9549-0017-00	Kullager	Ball Bearing	
42	1	9651-0035-04	Sparring Sgh 35	Circlip	
44	1	1134-1738-01	Remskiva	Belt Pulley	
45	1	1134-9011-01	Kilrem	V-Belt	= 9585-0054-00
48	6	9747-0831-02	Mutter Lasmutter	Nut	
49	6	9997-0820-16	Skruv	Screw	

code	pos.	q.ty	page				
1131-1684-00	22	1	p. 7	9747-0831-02	48	6	p. 7
1134-0051-05	3	1	p. 7	9898-1035-16	17	2	p. 3
1134-0051-06	9	1	p. 7	9935-1020-16	15	2	p. 3
1134-0240-00	12	4	p. 3	9942-0816-16	1	2	p. 3
1134-0240-00	13	2	p. 5	9945-0816-16	1	2	p. 3
1134-0299-00	6	8	p. 3	9945-0816-16	31	1	p. 7
1134-0304-03	5	1	p. 3	9945-0825-16	25	12	p. 7
1134-0305-00	7	4	p. 3	9959-0820-16	8	8	p. 5
1134-0312-04	19	1	p. 5	9959-0820-16	29	1	p. 7
1134-0323-00	5	2	p. 7	9959-1025-16	18	4	p. 3
1134-0323-01	11	1	p. 7	9997-0820-16	49	6	p. 7
1134-0325-02	21	1	p. 7				
1134-0327-00	28	1	p. 7				
1134-0328-04	18	2	p. 5				
1134-0343-00	7	1	p. 5				
1134-0361-00	14	1	p. 5				
1134-0369-03	19	2	p. 3				
1134-0425-04	20	1	p. 5				
1134-0457-04	15	1	p. 5				
1134-0698-00	40	1	p. 7				
1134-1069-01	1	1	p. 5				
1134-1271-01	4	1	p. 3				
1134-1285-01	30	2	p. 7				
1134-1326-01	2	1	p. 5				
1134-1738-01	44	1	p. 7				
1134-1767-01	2	1	p. 3				
1134-1833-02	17	2	p. 5				
1134-2193-01	3	1	p. 3				
1134-2314-01	23	1	p. 3				
1134-2535-01	22	1	p. 3				
1134-2907-03	16	2	p. 5				
1134-3725-02	13	3	p. 7				
1134-3767-01	12	1	p. 7				
1134-3767-03	6	2	p. 7				
1134-3841-01	1	2	p. 7				
1134-3841-02	7	1	p. 7				
1134-4600-01	12	1	p. 7				
1134-4775-01	37	3	p. 7				
1134-5130-01	14	3	p. 7				
1134-5236-01	36	3	p. 7				
1134-9001-01	17	1	p. 7				
1134-9006-01	34	1	p. 7				
1134-9011-01	45	1	p. 7				
9402-3124-00	98	1	p. 3				
9402-3203-00	99	1	p. 3				
9549-0017-00	41	1	p. 7				
9549-0019-00	2	1	p. 7				
9549-0019-00	8	1	p. 7				
9549-0020-00	4	1	p. 7				
9549-0020-00	10	1	p. 7				
9600-0150-01	11	1	p. 7				
9646-0064-22	4	1	p. 5				
9651-0035-04	42	1	p. 7				
9665-0002-00	20	2	p. 3				
9665-0002-00	26	2	p. 5				
9675-0009-02	6	3	p. 5				
9675-0012-02	23	4	p. 5				
9699-0030-02	36	3	p. 7				
9699-0056-02	32	1	p. 7				
9699-0109-02	23	1	p. 7				
9739-0831-22	9	8	p. 5				
9739-0831-22	10	4	p. 3				
9739-0831-22	15	1	p. 7				
9739-1031-22	11	6	p. 3				
9747-0831-02	10	4	p. 3				
9747-0831-02	27	2	p. 5				