



Reservdelskatalog Parts Catalogue

PARK 100M (ANSI)

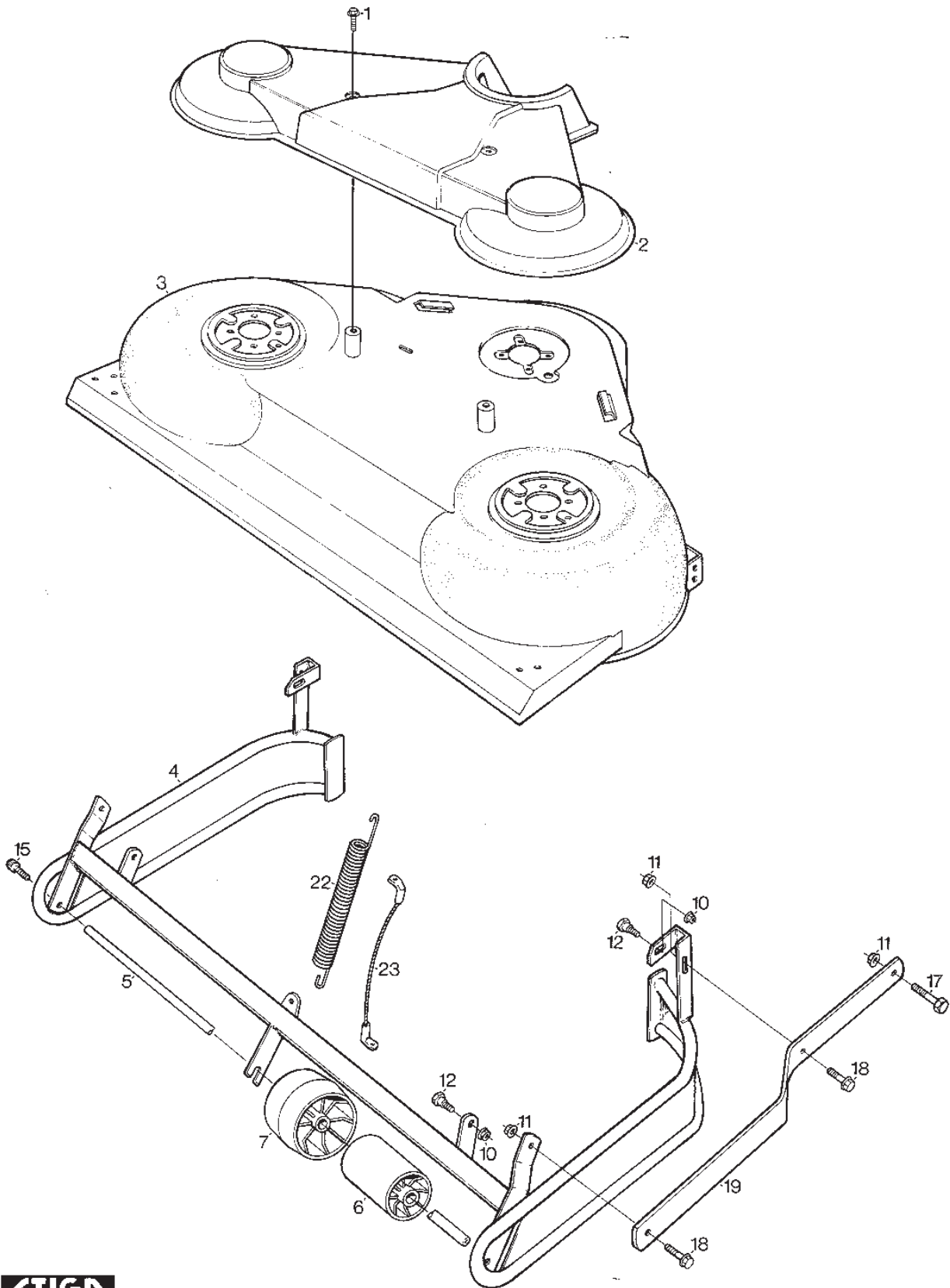
13-2920-13 - Season 1994

- Use GLOBAL GARDEN PRODUCT Genuine Spare Parts specified in the parts list for repair and/or replacement.
 - The contents described in the parts list may change due to improvement.
 - The drawings of the spare parts are only indicative and might not represent the part in question exactly.
 - The indications "right" - "left" - "front" - "rear" refer to the position of the operator when using the machine.
- When placing orders of parts for repair and/or replacement, make sure that the illustrated parts list is the one applying to the machine's year of manufacture, as shown on the identification plate attached to the machine.

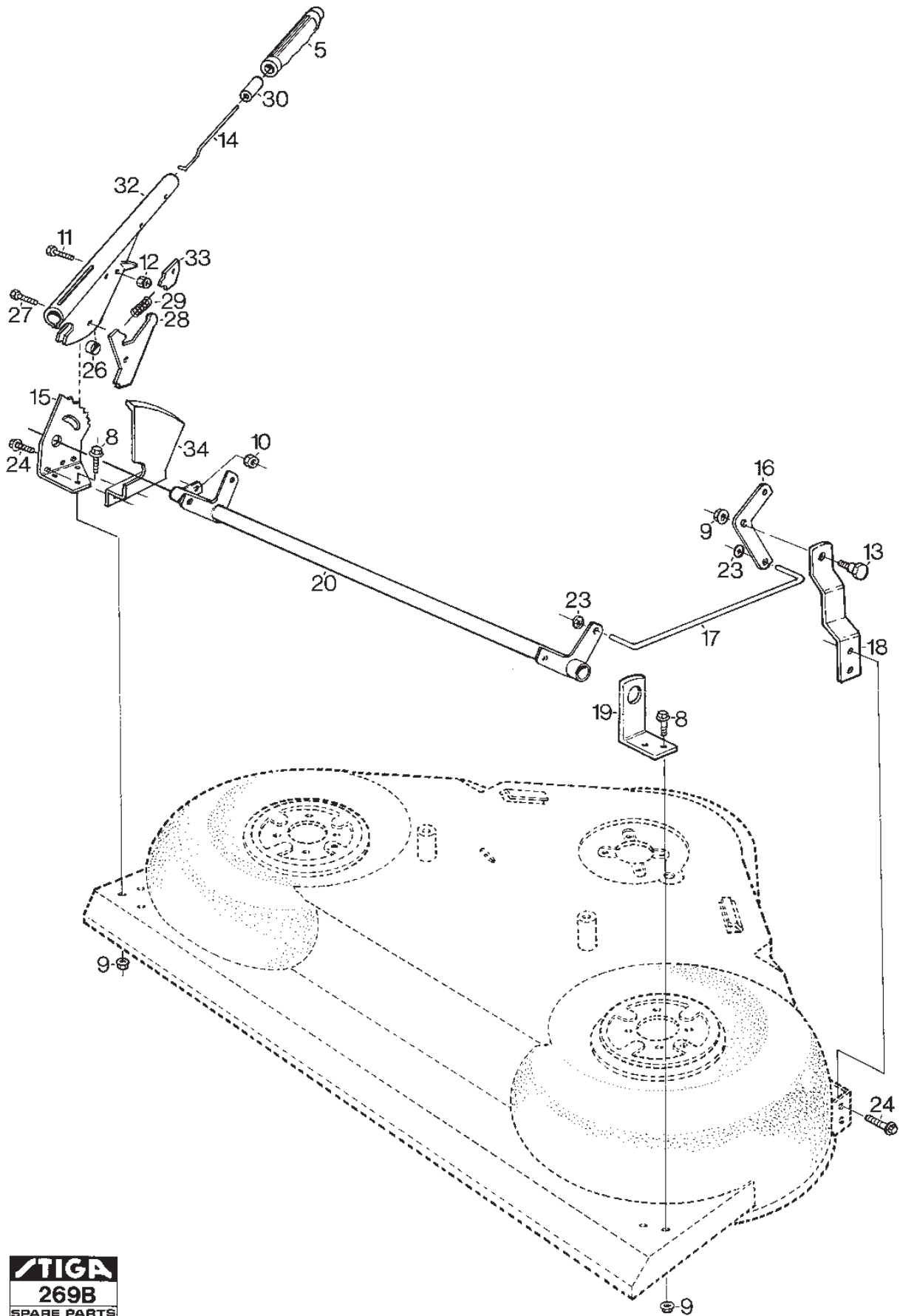
© Copyright 2014 Global Garden Products

All rights reserved. No part of this material may be reproduced or transmitted, in any form or by any means, electronic or mechanical, including photocopying, recording or by any information storage and retrieval system, without permission in writing from GLOBAL GARDEN PRODUCTS.

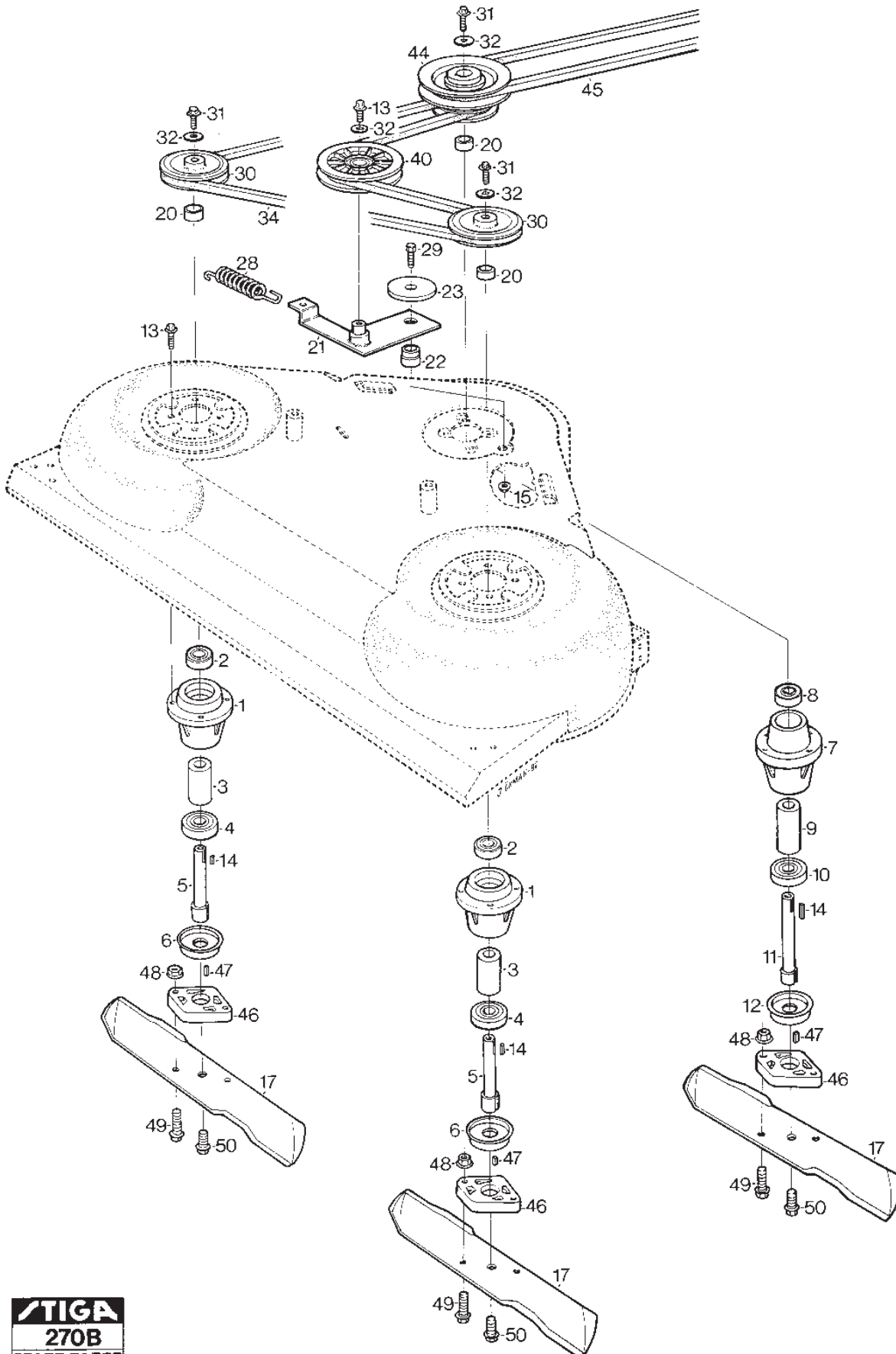
www.stiga.com



Utgåva Issue 41 - 2014		Ram Mower Deck 100M Frame			
Pos. Fig.	Antal Quantity	Art nr Part No	Benämning	Description	Anmärkning Notes
1	2	9942-0816-16	Skruv	Screw	
2	1	1134-2423-01	Transmissionskåpa	Transmission Cover	
3	1	1134-2393-01	Kåpa Kpl. 1-00 L 01B	Chassie	
4	1	1134-2658-03	Ram Kpl.	Frame-Cutter Deck	
5	1	1134-0304-04	Axel F Stödrullar	Shaft	
6	10	1134-2406-01	Rulle 5-01	Guard Roller	
7	2	1134-2405-01	Stödhjul	Casing Wheel	
10	4	9739-0831-22	Mutter	Nut	
11	6	9739-1031-22	Mutter	Nut	
12	4	1134-0240-00	Skruv	Screw	
15	2	9935-1020-16	Skruv	Screw	
17	2	9898-1035-16	Skruv	Screw	
18	4	9959-1025-16	Skruv	Screw	
19	2	1134-2401-01	Fäststag 15	Attachment Rod	
22	1	1134-2535-01	Fjäder	Spring	
23	1	1134-2314-02	Wire	Lift Cable	



Utgåva Issue 41 - 2014		Reglage Mower Deck 100M Controls			
Pos. Fig.	Antal Quantity	Art nr Part No	Benämning	Description	Anmärkning Notes
5	1	9406-0006-00	Handtag 01.100.026 Faca	Handle	
8	5	9959-0816-16	Skruv	Screw	
9	7	9739-0831-22	Mutter	Nut	
10	1	9747-0831-02	Mutter Låsmutter	Nut	
11	1	9997-0620-16	Skruv	Screw	
12	1	9747-0631-02	Mutter Låsmutter	Nut	
13	2	1134-0240-00	Skruv	Screw	
14	1	1134-3041-01	Reglagestång	Control Rod	
15	1	1134-3011-01	Höjdsegment	Height Adjusting Plate	
16	2	1134-2907-03	Pivotplatta 5-01 24	Pivoting Plate	
17	2	1134-1833-04	Stag För Höjdinställning	Rod	
18	2	1134-2402-01	Stag	Attachment Rod	
19	1	1134-2411-01	Fäste	Bracket	
20	1	1134-2422-01	Parallellaxel Kpl	Shaft	
23	4	9675-0012-02	Starlock	Locking washer	
24	5	9942-0816-16	Skruv	Screw	
26	1	1134-2427-01	Distans	Spacer	
27	1	9997-0825-16	Skruv	Screw	
28	1	1134-3010-01	Låsegment	Locking Quadrant	
29	1	1134-3262-01	Fjäder	Spring	
30	1	1134-3051-01	Låsratt	Locking Knob	
32	1	1134-3039-01	Höjdinställningsspak	Lever, Height Adjustment	
33	1	1134-3009-01	Låskil	Locking Key	
34	1	1134-3026-02	Höjdvisningsplåt	Height Adjusting Plate	



STIGA
270B
SPARE PARTS

Utgåva Issue 41 - 2014		Knivar	Mower Deck 100M Blades		
Pos. Fig.	Antal Quantity	Art nr Part No	Benämning	Description	Anmärkning Notes
1	2	1134-2476-01	Lagerbox Kpl. Mulcheraggr	Bearing Box Assy.	
2	1	9549-0019-00	Kullager	Ball Bearing	
3	1	1134-0051-05	Distans	Spacer	
4	1	9549-0020-00	Kullager	Ball Bearing	
5	1	1134-0397-05	Knivaxel	Blade Shaft	
6	1	1134-0400-01	Bricka	Washer	
7	1	1134-2477-01	Lagerbox Kpl. Mulcheraggr	Bearing Box Assy.	
8	1	9549-0019-00	Kullager	Ball Bearing	
9	1	1134-0051-06	Distans	Spacer	
10	1	9549-0020-00	Kullager	Ball Bearing	
11	1	1134-0397-04	Knivaxel	Blade Shaft	
12	1	1134-0400-01	Bricka	Washer	
13	13	9942-0816-16	Skruv	Screw	
14	3	1134-0323-00	Plattkil	Key	
15	1	9739-0831-22	Mutter	Nut	
17	1	1134-9002-01	Mulcherkniv	Mulching Blade	
20	3	1134-0051-11	Distans	Spacer	
21	1	1134-0325-02	Spännarm	Tensioning Arm	
22	1	1134-2429-01	Distans	Spacer	
23	1	9699-0109-02	Bricka	Washer	
28	1	1134-2413-01	Fjäder	Spring	
29	1	9997-0830-16	Skruv	Screw	
30	2	1134-1285-01	Remskiva	Belt Pulley	
31	3	9958-0820-16	Skruv	Screw	
32	4	9699-0056-02	Bricka	Washer	
34	1	1134-9006-01	Kilrem	V-Belt	= 9585-0108-00
40	1	1134-3053-01	Spännrulle	Tension Roller	
44	1	1134-2430-01	Remskiva	Belt Pulley	
45	1	1134-9015-01	Kilrem	V-Belt	= 9585-0061-00
46	1	1134-9000-01	Knivfäste	Blade Holder	K-FÖRP.
46	1	1134-9000-01	Knivfäste	Blade Holder	
46	3	1134-2082-01	Knivfäste	Blade Holder	
47	3	1134-0323-00	Plattkil	Key	
48	6	9739-0831-22	Mutter	Nut	
49	6	9959-0830-16	Skruv	Screw	
50	3	9991-1024-19	Skruv	Screw	

code	pos.	q.ty	page				
1134-0051-05	3	1	p. 7	9942-0816-16	13	13	p. 7
1134-0051-06	9	1	p. 7	9942-0816-16	24	5	p. 5
1134-0051-11	20	3	p. 7	9958-0820-16	31	3	p. 7
1134-0240-00	12	4	p. 3	9959-0816-16	8	5	p. 5
1134-0240-00	13	2	p. 5	9959-0830-16	49	6	p. 7
1134-0304-04	5	1	p. 3	9959-1025-16	18	4	p. 3
1134-0323-00	14	3	p. 7	9991-1024-19	50	3	p. 7
1134-0323-00	47	3	p. 7	9997-0620-16	11	1	p. 5
1134-0325-02	21	1	p. 7	9997-0825-16	27	1	p. 5
1134-0397-04	11	1	p. 7	9997-0830-16	29	1	p. 7
1134-0397-05	5	1	p. 7				
1134-0400-01	6	1	p. 7				
1134-0400-01	12	1	p. 7				
1134-1285-01	30	2	p. 7				
1134-1833-04	17	2	p. 5				
1134-2082-01	46	3	p. 7				
1134-2314-02	23	1	p. 3				
1134-2393-01	3	1	p. 3				
1134-2401-01	19	2	p. 3				
1134-2402-01	18	2	p. 5				
1134-2405-01	7	2	p. 3				
1134-2406-01	6	10	p. 3				
1134-2411-01	19	1	p. 5				
1134-2413-01	28	1	p. 7				
1134-2422-01	20	1	p. 5				
1134-2423-01	2	1	p. 3				
1134-2427-01	26	1	p. 5				
1134-2429-01	22	1	p. 7				
1134-2430-01	44	1	p. 7				
1134-2476-01	1	2	p. 7				
1134-2477-01	7	1	p. 7				
1134-2535-01	22	1	p. 3				
1134-2658-03	4	1	p. 3				
1134-2907-03	16	2	p. 5				
1134-3009-01	33	1	p. 5				
1134-3010-01	28	1	p. 5				
1134-3011-01	15	1	p. 5				
1134-3026-02	34	1	p. 5				
1134-3039-01	32	1	p. 5				
1134-3041-01	14	1	p. 5				
1134-3051-01	30	1	p. 5				
1134-3053-01	40	1	p. 7				
1134-3262-01	29	1	p. 5				
1134-9000-01	46	1	p. 7				
1134-9000-01	46	1	p. 7				
1134-9002-01	17	1	p. 7				
1134-9006-01	34	1	p. 7				
1134-9015-01	45	1	p. 7				
9406-0006-00	5	1	p. 5				
9549-0019-00	2	1	p. 7				
9549-0019-00	8	1	p. 7				
9549-0020-00	4	1	p. 7				
9549-0020-00	10	1	p. 7				
9675-0012-02	23	4	p. 5				
9699-0056-02	32	4	p. 7				
9699-0109-02	23	1	p. 7				
9739-0831-22	9	7	p. 5				
9739-0831-22	10	4	p. 3				
9739-0831-22	15	1	p. 7				
9739-0831-22	48	6	p. 7				
9739-1031-22	11	6	p. 3				
9747-0631-02	12	1	p. 5				
9747-0831-02	10	1	p. 5				
9898-1035-16	17	2	p. 3				
9935-1020-16	15	2	p. 3				
9942-0816-16	1	2	p. 3				