



Reservdelskatalog Parts Catalogue

PARK 100M

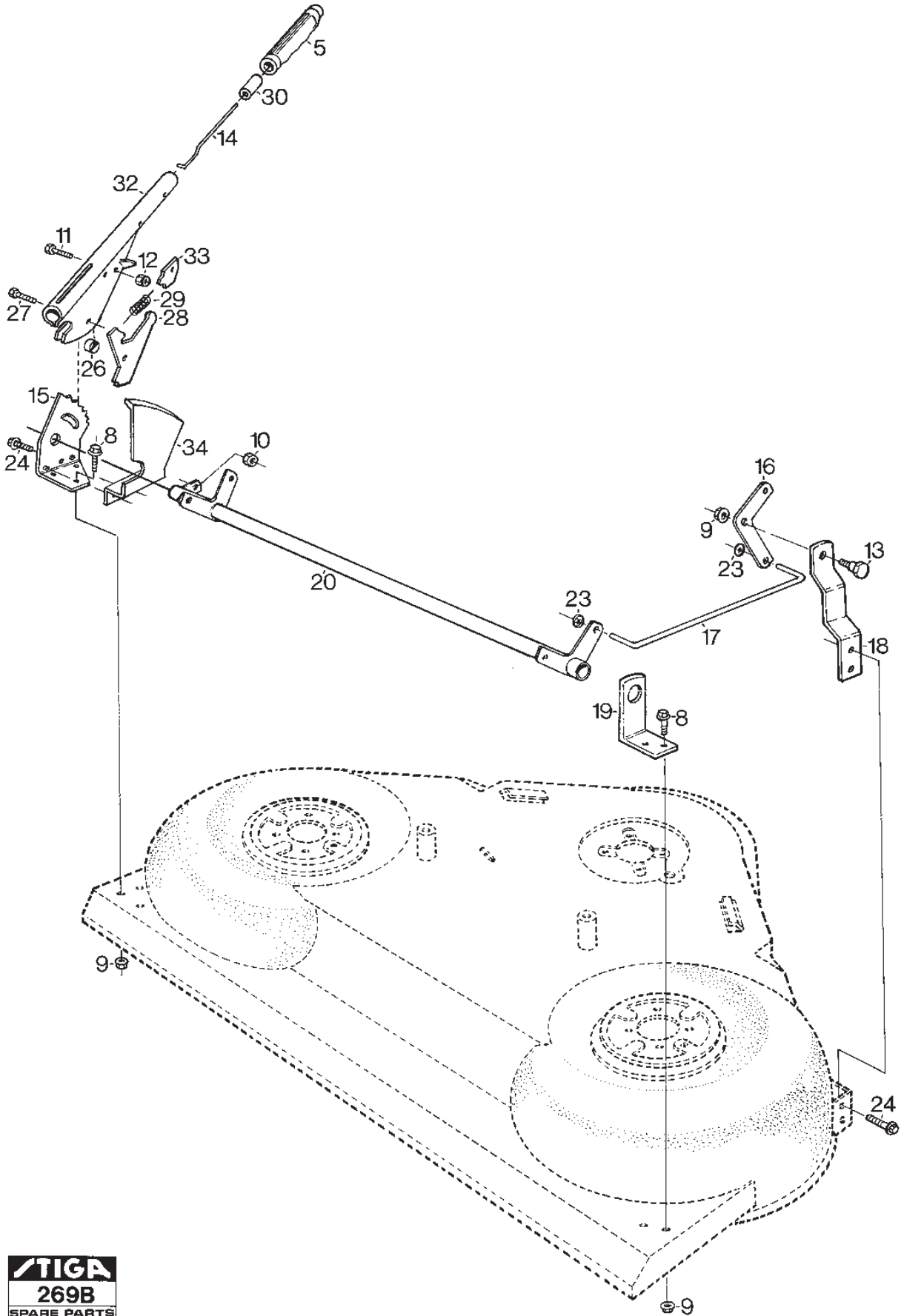
13-2918-13 - Season 1993

- Use GLOBAL GARDEN PRODUCT Genuine Spare Parts specified in the parts list for repair and/or replacement.
 - The contents described in the parts list may change due to improvement.
 - The drawings of the spare parts are only indicative and might not represent the part in question exactly.
 - The indications "right" - "left" - "front" - "rear" refer to the position of the operator when using the machine.
- When placing orders of parts for repair and/or replacement, make sure that the illustrated parts list is the one applying to the machine's year of manufacture, as shown on the identification plate attached to the machine.

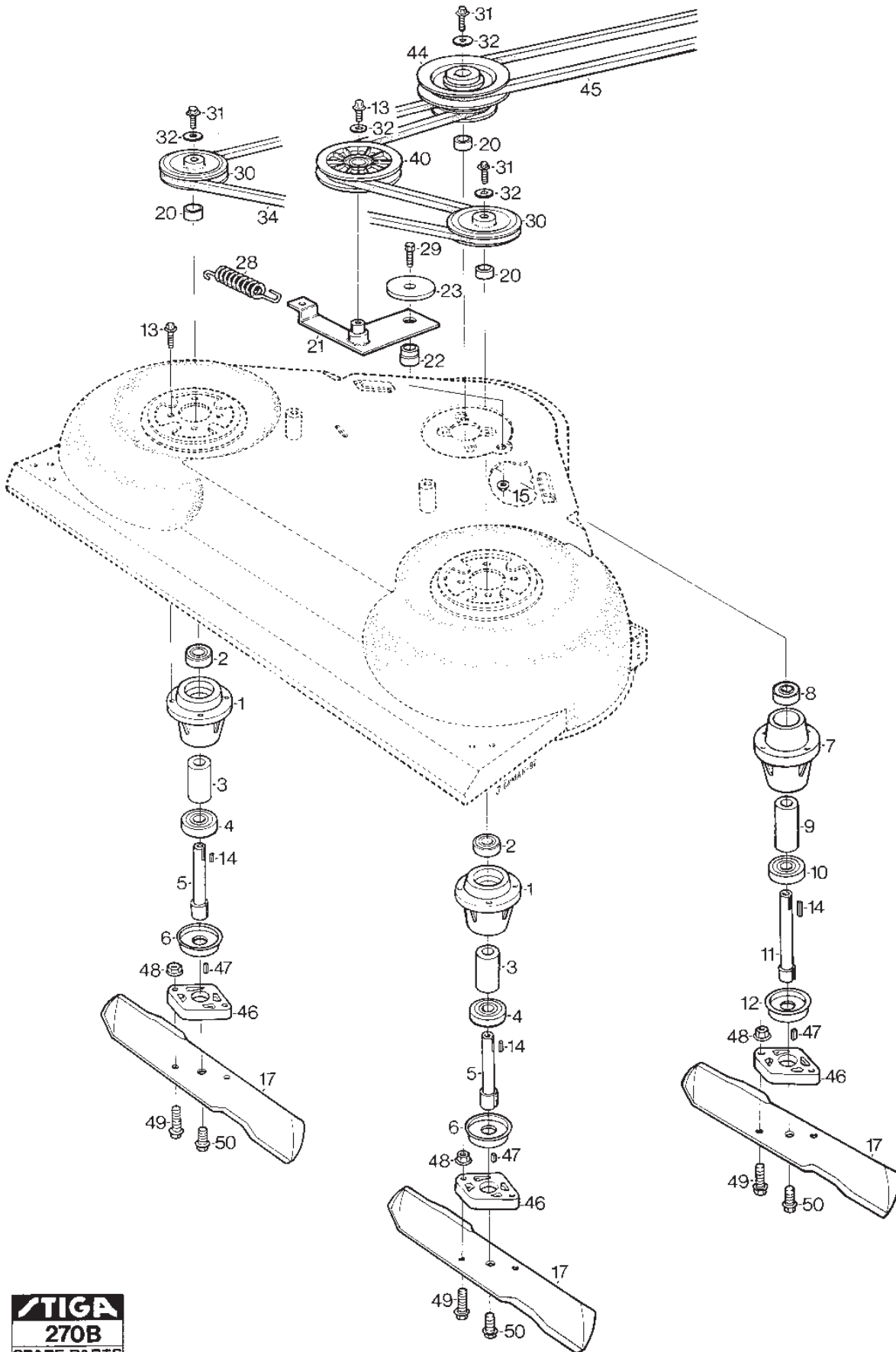
© Copyright 2014 Global Garden Products

All rights reserved. No part of this material may be reproduced or transmitted, in any form or by any means, electronic or mechanical, including photocopying, recording or by any information storage and retrieval system, without permission in writing from GLOBAL GARDEN PRODUCTS.

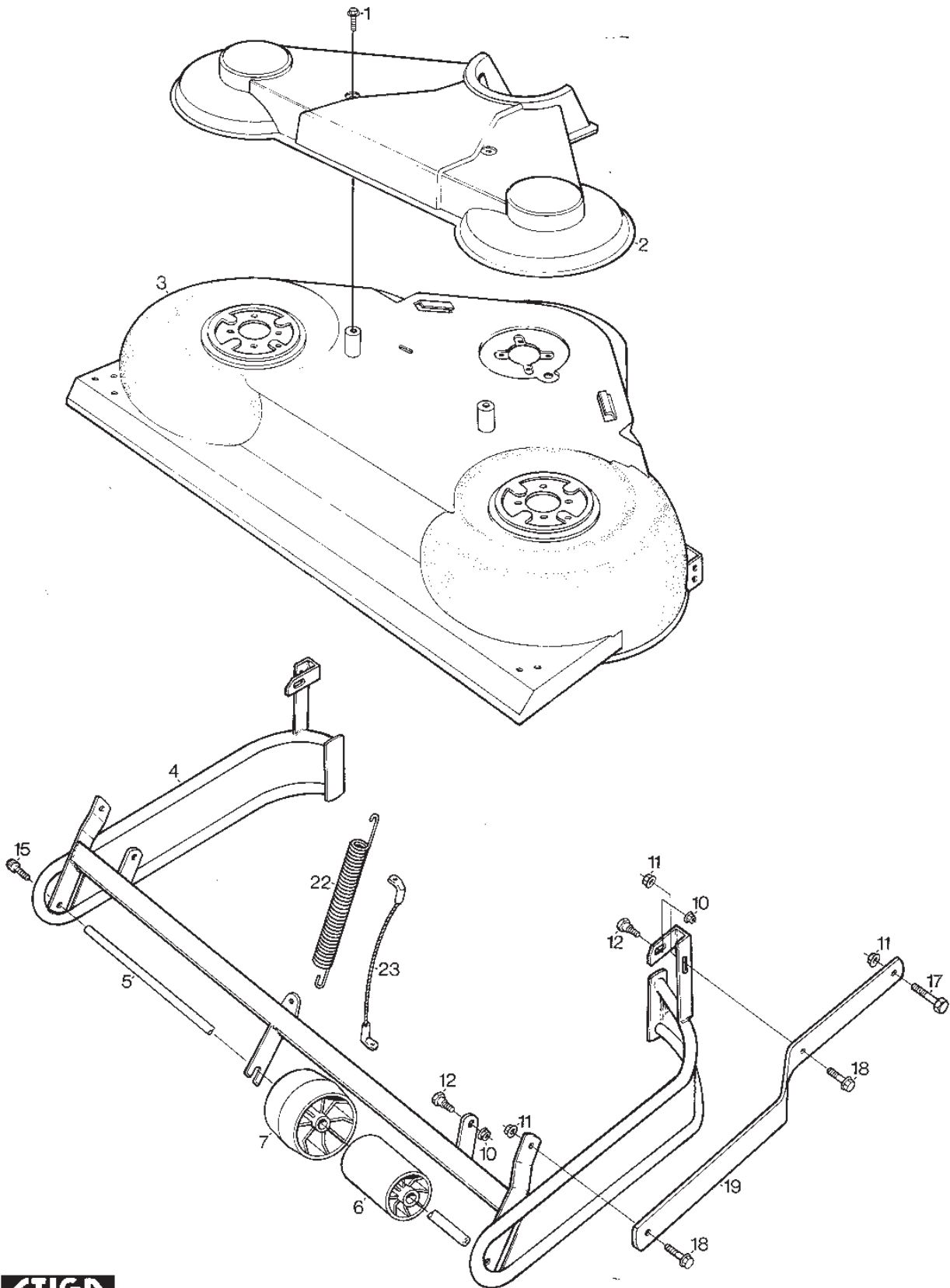
www.stiga.com



Utgåva Issue 37 - 2014		Reglage Mower Deck 100M Controls			
Pos. Fig.	Antal Q.ty	Art nr Part No	Benämning	Description	Anmärkning Notes
23	4	9675-0012-02	Starlock	Locking washer	
0	1	13-2918-13	Klippaggregat kpl	Mower deck assy	
0	1	13-2918-13	Klippaggregat kpl	Mower deck assy	
	1	13-2918-16	Klippaggregat kpl	Mowing unit assy	
0	1	13-2920-13	Klippaggregat kpl	Mowing unit assy	ANSI
	1	13-2920-16	Klippaggregat kpl	Mowing unit assy	ANSI
13	2	1134-0240-00	Skruv	Screw	
17	2	1134-1833-04	Stag För Höjdinställning	Rod	
18	2	1134-2402-01	Stag	Attachment Rod	
19	1	1134-2411-01	Fäste	Bracket	
20	1	1134-2422-01	Parallellaxel Kpl	Shaft	
26	1	1134-2427-01	Distans	Spacer	
16	2	1134-2907-03	Pivotplatta 5-01 24	Pivoting Plate	
33	1	1134-3009-01	Låskil	Locking Key	
28	1	1134-3010-01	Låssegment	Locking Quadrant	
15	1	1134-3011-01	Höjdsegment	Height Adjusting Plate	
34	1	1134-3026-02	Höjdvisningsplåt	Height Adjusting Plate	
32	1	1134-3039-01	Höjdinställningsspak	Lever, Height Adjustment	
14	1	1134-3041-01	Reglagestång	Control Rod	
30	1	1134-3051-01	Låsratt	Locking Knob	
29	1	1134-3262-01	Fjäder	Spring	
5	1	9406-0006-00	Handtag 01.100.026 Faca	Handle	
9	7	9739-0831-22	Mutter	Nut	
12	1	9747-0631-02	Mutter Låsmutter	Nut	
10	1	9747-0831-02	Mutter Låsmutter	Nut	
24	5	9942-0816-16	Skruv	Screw	
8	5	9959-0816-16	Skruv	Screw	
11	1	9997-0620-16	Skruv	Screw	
27	1	9997-0825-16	Skruv	Screw	



Utgåva Issue 37 - 2014		Knivar Mower Deck 100M Blades			
Pos. Fig.	Antal Q.ty	Art nr Part No	Benämning	Description	Anmärkning Notes
0	1	13-2918-12	Klippaggregat kpl	Mower deck assy	
0	1	13-2918-13	Klippaggregat kpl	Mower deck assy	
0	1	13-2918-13	Klippaggregat kpl	Mower deck assy	
	1	13-2918-16	Klippaggregat kpl	Mowing unit assy	
0	1	13-2920-13	Klippaggregat kpl	Mowing unit assy	ANSI
	1	13-2920-16	Klippaggregat kpl	Mowing unit assy	ANSI
3	1	1134-0051-05	Distans	Spacer	
9	1	1134-0051-06	Distans	Spacer	
20	3	1134-0051-11	Distans	Spacer	
14	3	1134-0323-00	Plattkil	Key	
47	3	1134-0323-00	Plattkil	Key	
21	1	1134-0325-02	Spännarm	Tensioning Arm	
11	1	1134-0397-04	Knivaxel	Blade Shaft	
5	1	1134-0397-05	Knivaxel	Blade Shaft	
6	1	1134-0400-01	Bricka	Washer	
12	1	1134-0400-01	Bricka	Washer	
30	2	1134-1285-01	Remskiva	Belt Pulley	
46	3	1134-2082-01	Knivfäste	Blade Holder	
28	1	1134-2413-01	Fjäder	Spring	
22	1	1134-2429-01	Distans	Spacer	
44	1	1134-2430-01	Remskiva	Belt Pulley	
1	2	1134-2476-01	Lagerbox Kpl. Mulcheraggr	Bearing Box Assy.	
7	1	1134-2477-01	Lagerbox Kpl. Mulcheraggr	Bearing Box Assy.	
40	1	1134-3053-01	Spännrulle	Tension Roller	
46	1	1134-9000-01	Knivfäste	Blade Holder	
17	1	1134-9002-01	Mulcherkniv	Mulching Blade	
34	1	1134-9006-01	Kilrem	V-Belt	= 9585-0108-00
45	1	1134-9015-01	Kilrem	V-Belt	= 9585-0061-00
2	1	9549-0019-00	Kullager	Ball Bearing	
8	1	9549-0019-00	Kullager	Ball Bearing	
4	1	9549-0020-00	Kullager	Ball Bearing	
10	1	9549-0020-00	Kullager	Ball Bearing	
32	4	9699-0056-02	Bricka	Washer	
23	1	9699-0109-02	Bricka	Washer	
15	1	9739-0831-22	Mutter	Nut	
48	6	9739-0831-22	Mutter	Nut	
13	13	9942-0816-16	Skruv	Screw	
31	3	9958-0820-16	Skruv	Screw	
49	6	9959-0830-16	Skruv	Screw	
50	3	9991-1024-19	Skruv	Screw	
29	1	9997-0830-16	Skruv	Screw	



Utgåva Issue 37 - 2014		Mower Deck 100M Frame			
Pos. Fig.	Antal Q.ty	Art nr Part No	Benämning	Description	Anmärkning Notes
		Ram			
0	1	13-2918-13	Klippaggregat kpl	Mower deck assy	
0	1	13-2918-13	Klippaggregat kpl	Mower deck assy	
0	1	13-2920-13	Klippaggregat kpl	Mowing unit assy	ANSI
12	4	1134-0240-00	Skruv	Screw	
5	1	1134-0304-04	Axel F Stödrullar	Shaft	
23	1	1134-2314-02	Wire	Lift Cable	
3	1	1134-2393-01	Kåpa Kpl. 1-00 L 01B	Chassie	
19	2	1134-2401-01	Fäststag 15	Attachment Rod	
7	2	1134-2405-01	Stödhjul	Casing Wheel	
6	10	1134-2406-01	Rulle 5-01	Guard Roller	
2	1	1134-2423-01	Transmissionskåpa	Transmission Cover	
22	1	1134-2535-01	Fjäder	Spring	
4	1	1134-2658-03	Ram Kpl.	Frame-Cutter Deck	
10	4	9739-0831-22	Mutter	Nut	
11	6	9739-1031-22	Mutter	Nut	
17	2	9898-1035-16	Skruv	Screw	
15	2	9935-1020-16	Skruv	Screw	
1	2	9942-0816-16	Skruv	Screw	
18	4	9959-1025-16	Skruv	Screw	

code	pos.	q.ty	page				
13-2918-12	0	1	p. 5	9675-0012-02	23	4	p. 3
13-2918-13	0	1	p. 3	9699-0056-02	32	4	p. 5
13-2918-13	0	1	p. 3	9699-0109-02	23	1	p. 5
13-2918-13	0	1	p. 5	9739-0831-22	9	7	p. 3
13-2918-13	0	1	p. 5	9739-0831-22	10	4	p. 7
13-2918-13	0	1	p. 7	9739-0831-22	15	1	p. 5
13-2918-13	0	1	p. 7	9739-0831-22	48	6	p. 5
13-2918-16		1	p. 3	9739-1031-22	11	6	p. 7
13-2918-16		1	p. 5	9747-0631-02	12	1	p. 3
13-2920-13	0	1	p. 3	9747-0831-02	10	1	p. 3
13-2920-13	0	1	p. 5	9898-1035-16	17	2	p. 7
13-2920-13	0	1	p. 7	9935-1020-16	15	2	p. 7
13-2920-16		1	p. 3	9942-0816-16	1	2	p. 7
13-2920-16		1	p. 5	9942-0816-16	13	13	p. 5
1134-0051-05	3	1	p. 5	9942-0816-16	24	5	p. 3
1134-0051-06	9	1	p. 5	9958-0820-16	31	3	p. 5
1134-0051-11	20	3	p. 5	9959-0816-16	8	5	p. 3
1134-0240-00	12	4	p. 7	9959-0830-16	49	6	p. 5
1134-0240-00	13	2	p. 3	9959-1025-16	18	4	p. 7
1134-0304-04	5	1	p. 7	9991-1024-19	50	3	p. 5
1134-0323-00	14	3	p. 5	9997-0620-16	11	1	p. 3
1134-0323-00	47	3	p. 5	9997-0825-16	27	1	p. 3
1134-0325-02	21	1	p. 5	9997-0830-16	29	1	p. 5
1134-0397-04	11	1	p. 5				
1134-0397-05	5	1	p. 5				
1134-0400-01	6	1	p. 5				
1134-0400-01	12	1	p. 5				
1134-1285-01	30	2	p. 5				
1134-1833-04	17	2	p. 3				
1134-2082-01	46	3	p. 5				
1134-2314-02	23	1	p. 7				
1134-2393-01	3	1	p. 7				
1134-2401-01	19	2	p. 7				
1134-2402-01	18	2	p. 3				
1134-2405-01	7	2	p. 7				
1134-2406-01	6	10	p. 7				
1134-2411-01	19	1	p. 3				
1134-2413-01	28	1	p. 5				
1134-2422-01	20	1	p. 3				
1134-2423-01	2	1	p. 7				
1134-2427-01	26	1	p. 3				
1134-2429-01	22	1	p. 5				
1134-2430-01	44	1	p. 5				
1134-2476-01	1	2	p. 5				
1134-2477-01	7	1	p. 5				
1134-2535-01	22	1	p. 7				
1134-2658-03	4	1	p. 7				
1134-2907-03	16	2	p. 3				
1134-3009-01	33	1	p. 3				
1134-3010-01	28	1	p. 3				
1134-3011-01	15	1	p. 3				
1134-3026-02	34	1	p. 3				
1134-3039-01	32	1	p. 3				
1134-3041-01	14	1	p. 3				
1134-3051-01	30	1	p. 3				
1134-3053-01	40	1	p. 5				
1134-3262-01	29	1	p. 3				
1134-9000-01	46	1	p. 5				
1134-9002-01	17	1	p. 5				
1134-9006-01	34	1	p. 5				
1134-9015-01	45	1	p. 5				
9406-0006-00	5	1	p. 3				
9549-0019-00	2	1	p. 5				
9549-0019-00	8	1	p. 5				
9549-0020-00	4	1	p. 5				
9549-0020-00	10	1	p. 5				