



## **Reservdelskatalog Parts Catalogue**

# **PARK 107M HD**

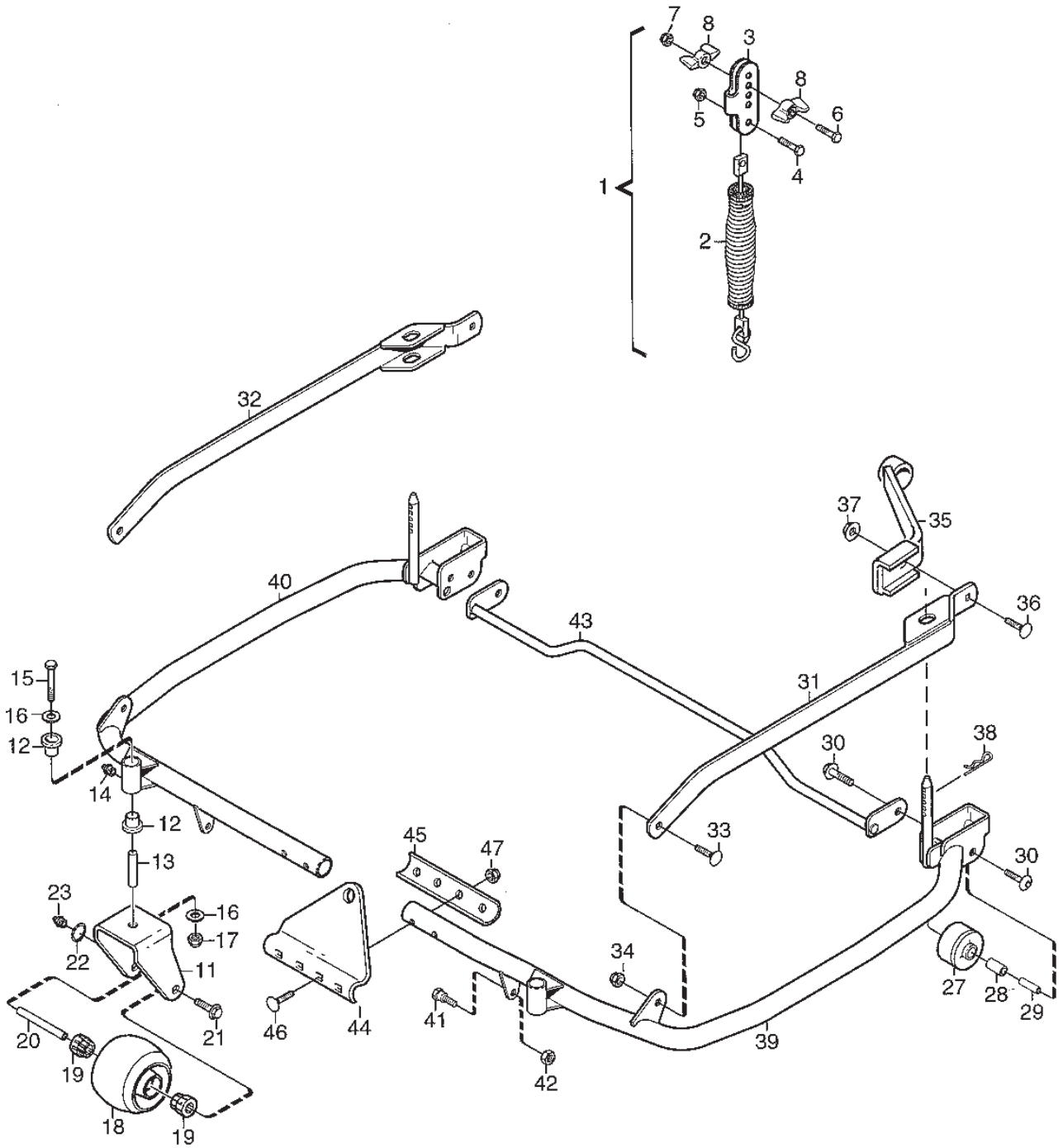
**13-2952-17 - Season 2004**

- Use GLOBAL GARDEN PRODUCT Genuine Spare Parts specified in the parts list for repair and/or replacement.
  - The contents described in the parts list may change due to improvement.
  - The drawings of the spare parts are only indicative and might not represent the part in question exactly.
  - The indications "right" - "left" - "front" - "rear" refer to the position of the operator when using the machine.
- When placing orders of parts for repair and/or replacement, make sure that the illustrated parts list is the one applying to the machine's year of manufacture, as shown on the identification plate attached to the machine.

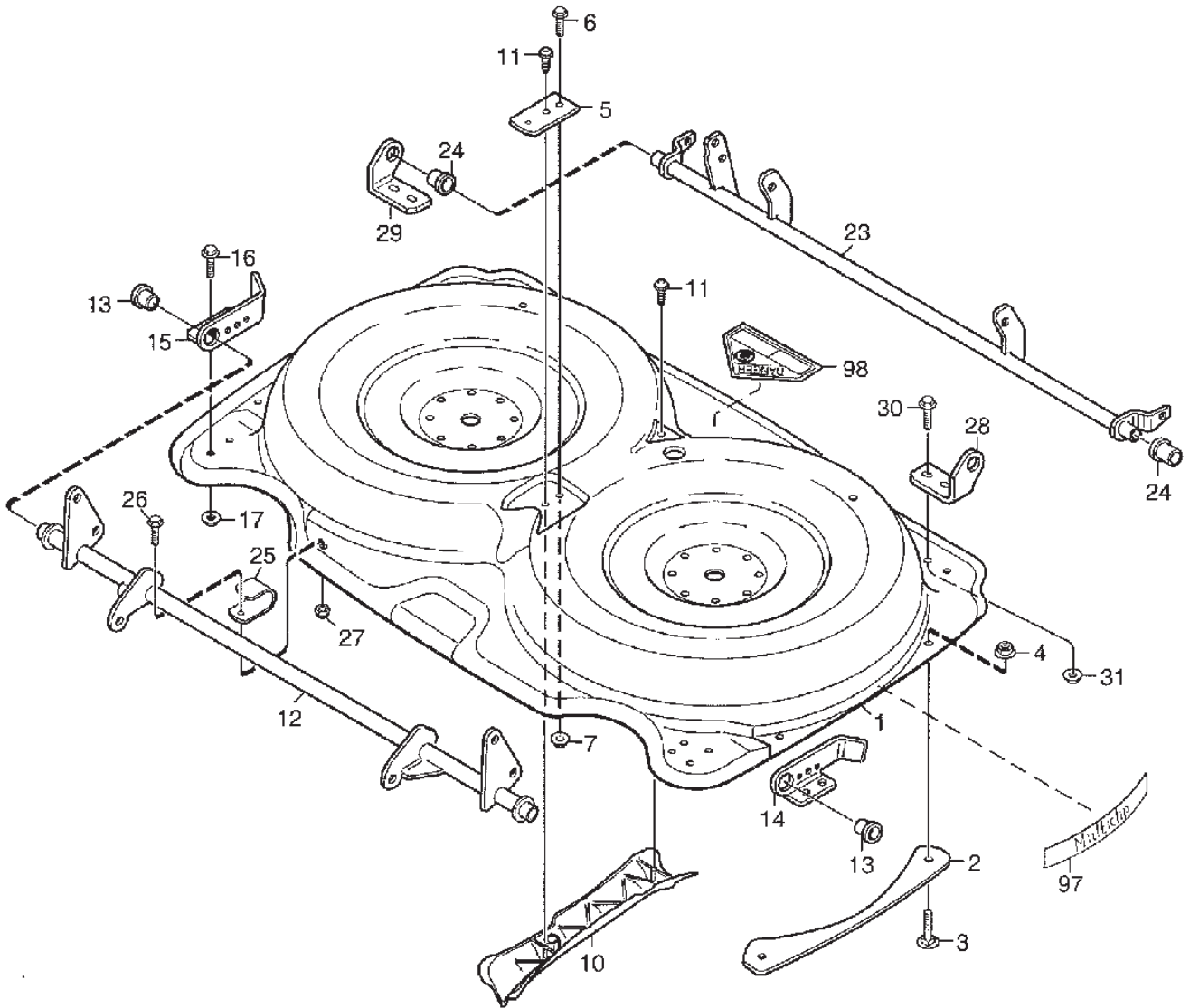
© Copyright 2004 Global Garden Products

All rights reserved. No part of this material may be reproduced or transmitted, in any form or by any means, electronic or mechanical, including photocopying, recording or by any information storage and retrieval system, without permission in writing from GLOBAL GARDEN PRODUCTS.

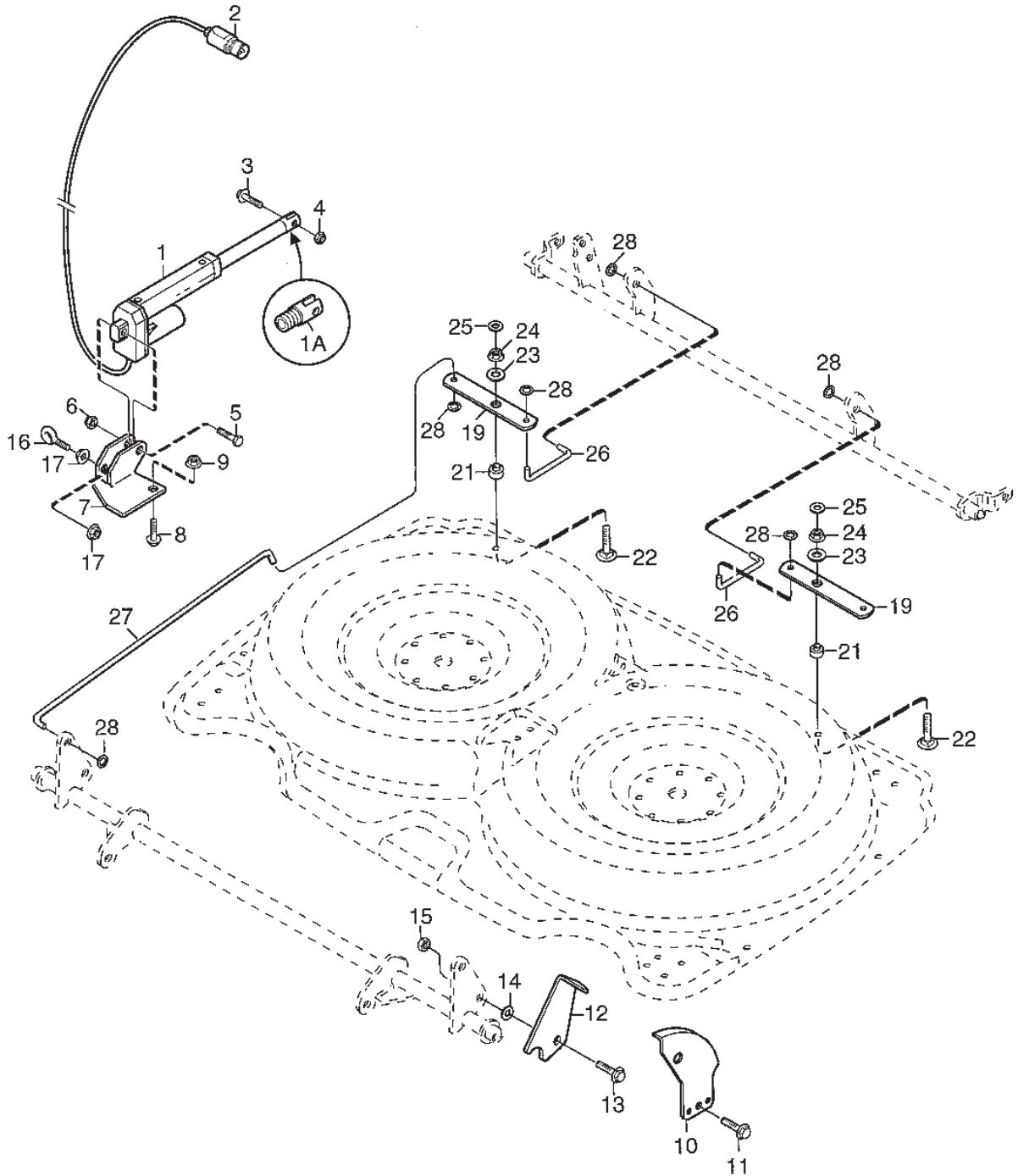
[www.stiga.com](http://www.stiga.com)



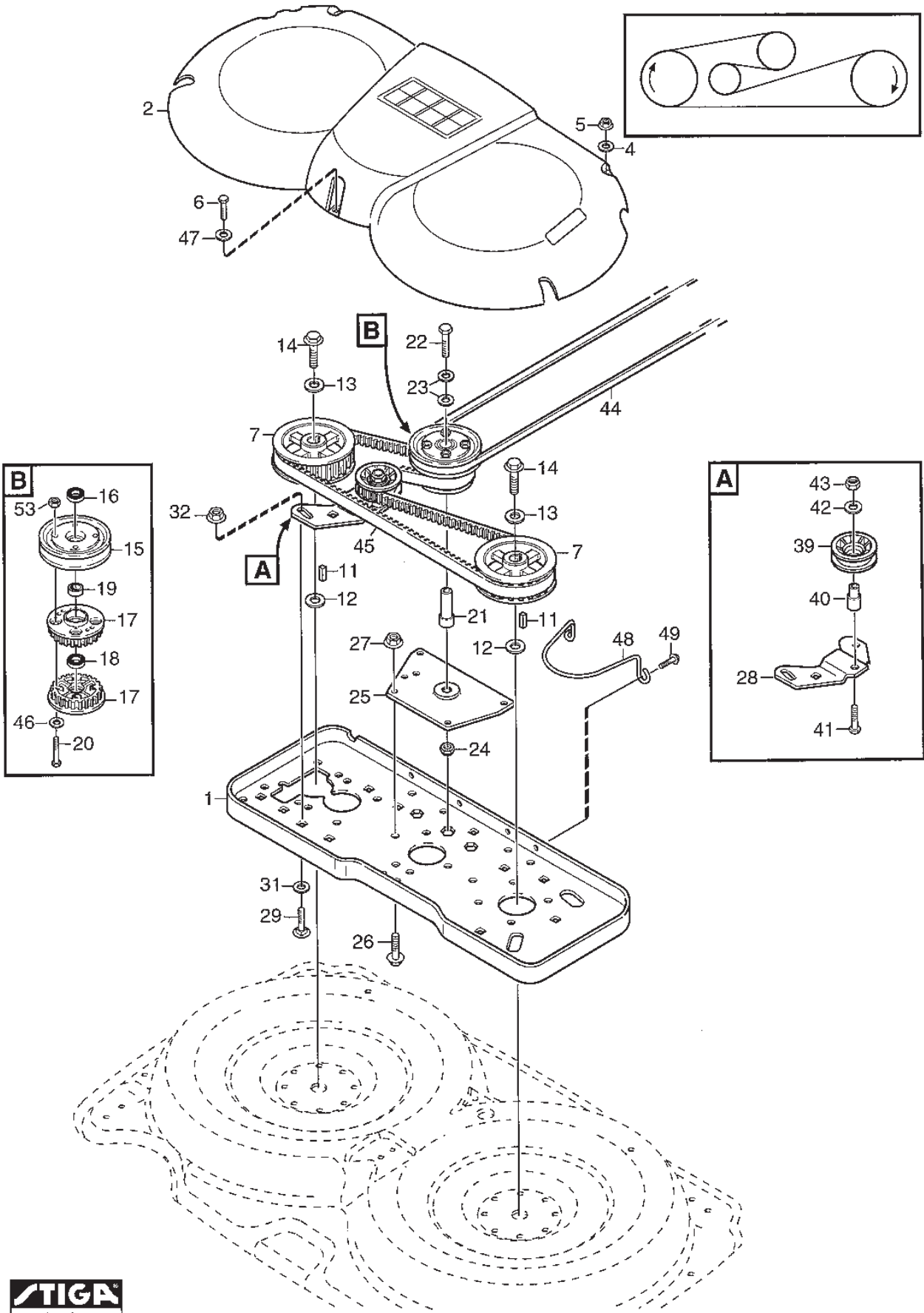
Utgåva Issue 20 - 2015		Ram		Frame	
Pos. Fig.	Antal Q.ty	Art nr Part No	Benämning	Description	Anmärkning Notes
1	1	1134-4688-02	Tillbehörspåse	Accessory Bag	Inkl. pos 2 - 8
2	1	1134-4574-01	Fjäder	Spring	
3	1	1134-4577-01	Fjäder	Spring	
4	1	9997-0825-16	Skruv	Screw	
5	1	9747-0831-02	Mutter	Nut	
6	1	9997-0835-12	Skruv	Screw	
7	1	9747-0831-02	Mutter	Nut	
8	2	1134-4481-01	Vingmutter	Wing Nut	
11	2	1134-5199-01	Stödhjul	Support Wheel	
12	1	1134-9024-01	Lager (4 St)	Bearing	Sats 4 st/kit of 4
13	2	1134-5210-02	Distans	Spacer	L = 68.5 mm
14	2	9501-0500-00	Smörjkopp Kort Rak	Grease Dispenser	
15	2	9997-1090-12	Skruv	Screw	
16	4	9699-0030-02	Bricka	Washer	
17	2	9747-1031-02	Mutter	Nut	
18	2	1134-4284-01	Hjul	Wheel	
19	4	1134-4319-01	Lager	Bearing	
20	2	1134-5209-01	Hjulaxel	Wheel Axle	
21	2	9959-0820-16	Skruv	Screw	
22	2	9650-0012-04	Seegersakring	Circlip	
23	2	9501-0500-00	Smörjkopp Kort Rak	Grease Dispenser	
27	2	1134-3434-01	Rulle	Roller	
28	2	1134-0041-04	Bussning	Bushing	
29	2	1134-5253-01	Axel	Shaft	
30	4	9893-0616-16	Skruv	Screw	
31	1	1134-5202-01	Aggregatsarm Kpl-Vä	Mower Deck Arm, Left	
32	1	1134-5202-02	Aggregatsarm Kpl-Hö	Mower Deck Arm, Right	
33	2	9898-1035-16	Skruv	Screw	
34	2	9747-1031-02	Mutter	Nut	
35	2	1134-3710-01	Fäste Kpl 5-01 15	Attachment For Accessories	
36	2	9898-1035-16	Skruv	Screw	
37	2	9739-1031-22	Mutter	Nut	
38	2	9598-0003-02	Spring Pin	Spring Pin	
39	1	1134-5198-01	Ram Kpl-Vä (7-14 H03M1)	Frame-Lh	
40	1	1134-5198-02	Ram Kpl-Hö (7-14 H03M1)	Frame-Rh	
41	2	1134-0240-00	Skruv	Screw	
42	2	9747-0831-02	Mutter	Nut	
43	1	1134-5184-01	Stag Kpl	Rod	
44	1	1134-5211-01	Fjäder	Spring	
45	1	1134-5217-01	Överfall	Tube Connection	
46	4	9897-0850-12	Skruv	Screw	
47	4	9748-0831-02	Mutter	Nut	



Utgåva Issue 20 - 2015		Kapa Mower Deck 107M Hd Casing			
Pos. Fig.	Antal Q.ty	Art nr Part No	Benämning	Description	Anmärkning Notes
1	1	1134-5187-01	Klippdäck	Cutting Deck	
2	2	1134-4323-01	Ledplåt	Guide Plate	
3	4	9897-0616-16	Skruv	Screw	
4	4	9739-0631-22	Mutter	Nut	
5	1	1134-5181-01	Fäste	Bracket	
6	1	9959-0820-16	Skruv	Screw	
7	1	9739-0831-22	Mutter	Nut	
10	1	1134-4905-01	Ledskena	Guide Bar	
11	2	9836-9530-12	Skruv	Screw	
11	2	9838-9530-12	Skruv	Screw	
12	1	1134-5205-01	Framaxel Kpl (1-00 L02M6)	Front Axle	
13	1	1134-9024-01	Lager (4 St)	Bearing	Sats 4 st/kit of 4
14	1	1134-5218-01	Lagerfäste-Vä (5-01 F24)	Bearing Holder-Lh	
15	1	1134-5218-02	Lagerfäste-Hö (5-01 F24)	Bearing Holder-Rh	
16	4	9959-0816-16	Skruv	Screw	
17	4	9739-0831-22	Mutter	Nut	
23	1	1134-4876-01	Bakaxel Kpl 1-00	Rear Axle	
23	1	1134-5892-01	Bakaxel Kpl-Gul	Rear Axle, Yellow	
24	1	1134-9024-01	Lager (4 St)	Bearing	Sats 4 st/kit of 4
25	4	1134-4689-01	Stöd	Support	
26	4	9959-0616-16	Skruv	Screw	
27	4	9747-0631-02	Mutter	Nut	
28	1	1134-5180-01	Fäste-Vä (5-01 F24)	Bracket-Lh	
29	1	1134-5180-02	Fäste-Hö (5-01 F24)	Bracket-Rh	
30	4	9959-0816-16	Skruv	Screw	
31	4	9739-0831-22	Mutter	Nut	
97	2	9402-3523-01	Dekal	Label	
98	1	9402-3124-00	Dekal	Label	US, CA

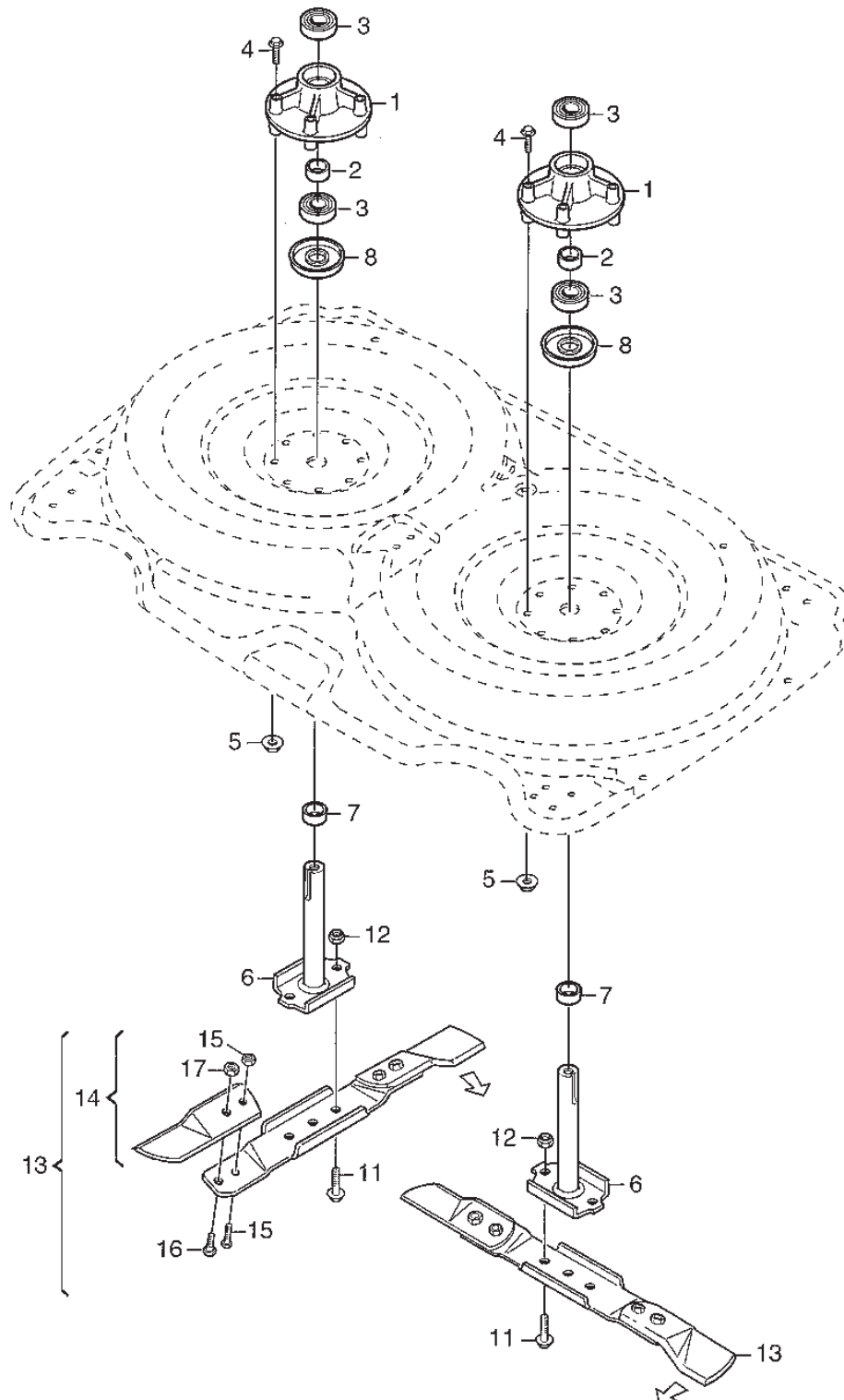


Utgåva Issue 20 - 2015		Transmission		Transmission	
Pos. Fig.	Antal Q.ty	Art nr Part No	Benämning	Description	Anmärkning Notes
1	1	1134-4884-01	Ställdon	Electric Lifter	
1	1	1139-0005-01	Kolvstangsända	Rod End	
1	1	1134-4884-01	Ställdon	Electric Lifter	
1	1	1139-0005-01	Kolvstangsända	Rod End	
2	1	1134-4057-01	Hankontakt	Male Terminal	
3	1	9959-0830-16	Skruv	Screw	
4	1	9747-0831-02	Mutter	Nut	
5	1	9997-0840-16	Skruv	Screw	
6	1	9747-0831-02	Mutter	Nut	
7	1	1134-4877-01	Fäste	Bracket	
8	2	9959-0820-16	Skruv	Screw	
9	2	9739-0831-22	Mutter	Nut	
10	1	1134-4291-02	Höjdisningsplat	Height Adjusting Plate	
10	1	1134-4291-03	Höjdsjusteringsplatta	Height Adjust Quadrant	
10	1	1134-4291-02	Höjdisningsplat	Height Adjusting Plate	
10	1	1134-4291-03	Höjdsjusteringsplatta	Height Adjust Quadrant	
11	1	9945-0816-16	Skruv	Screw	
12	1	1134-4883-01	Visare	Pointer	
13	1	9959-0830-16	Skruv	Screw	
14	1	9699-0056-02	Bricka	Washer	
15	2	9739-0831-22	Mutter	Nut	
16	1	1134-2138-01	Skruvögla	Eye Bolt	
17	2	9739-0831-22	Mutter	Nut	
19	2	1134-4296-02	Länkarm	Pivot Arm	
21	2	1134-4298-02	Distans	Spacer	
22	2	9897-0850-12	Skruv	Screw	
23	2	9699-0028-02	Bricka	Washer	
24	2	9747-0831-02	Mutter	Nut	
25	2	9699-0056-02	Bricka	Washer	
26	2	1134-4894-02	Tryckstang	Push Rod	
26	2	1134-4894-04	Tryckstang	Push Rod	
26	2	1134-4894-02	Tryckstang	Push Rod	
26	2	1134-4894-04	Tryckstang	Push Rod	
27	2	1134-4294-02	Tryckstang	Push Rod	
28	8	9675-0012-02	Starlock	Locking washer	
999	1	1139-0005-01	Kolvstangsända	Rod End	





Utgåva Issue 20 - 2015		Transmission		Transmission	
Pos. Fig.	Antal Q.ty	Art nr Part No	Benämning	Description	Anmärkning Notes
1	1	1134-5229-01	Transmissionsplatta	Transmission Plate	
2	1	1134-4865-01	Transmissionskapa (107M)	Transmission Cover (107M)	
4	2	9699-0028-02	Bricka	Washer	
5	2	9747-0831-02	Mutter	Nut	
6	1	9942-0612-16	Skruv	Screw	
7	2	1134-5128-01	Kuggremskiva	Toothed Belt Pulley	
11	2	9600-0170-00	Kil	Key	6 x 6 x 16 mm
12	2	9699-0088-02	Bricka	Washer	20 x 30 x 3 mm
13	2	1134-5127-01	Bricka	Washer	
14	2	9958-0820-16	Skruv	Screw	
15	1	1134-5601-01	Remskiva	Belt Pulley	
15	1	1134-5020-01	Remskiva	Belt Pulley	Ø = 106.0 mm
15	1	1134-5601-01	Remskiva	Belt Pulley	
15	1	1134-5020-01	Remskiva	Belt Pulley	Ø = 106.0 mm
16	1	9549-0019-00	Kullager	Ball Bearing	
17	2	1134-4321-01	Kuggremskiva	Toothed Pulley	
18	1	9549-0019-00	Kullager	Ball Bearing	
19	1	1134-3725-01	Distans	Spacer	
20	4	9997-0650-12	Skruv	Screw	
20	4	9997-0660-12	Skruv	Screw	
20	4	9997-0650-12	Skruv	Screw	
20	4	9997-0660-12	Skruv	Screw	
21	1	1134-4314-01	Tapp	Shaft	
22	1	9997-1065-12	Skruv	Screw	
23	2	9699-0030-02	Bricka	Washer	
24	1	9739-1031-22	Mutter	Nut	
25	1	1134-4667-02	Platta	Plate	
26	4	9959-0816-16	Skruv	Screw	
27	4	9739-0831-22	Mutter	Nut	
28	1	1134-4885-01	Spännarm	Tension Arm	
29	2	9897-0825-16	Skruv	Screw	
31	2	9699-0036-02	Bricka	Washer	
32	2	9739-0831-22	Mutter	Nut	
39	1	1134-4686-01	Spännrulle F2750-0875	Tension Roller	
40	1	1134-4316-03	Tapp	Shaft	
41	1	9997-1040-12	Skruv	Screw	
42	1	9699-0030-02	Bricka	Washer	
43	1	1134-4775-01	Mutter	Nut	
44	1	1134-9034-01	Kilrem	V-Belt	9512
44	1	1134-9034-01	Kilrem	V-Belt	= 9585-0073-00
45	1	9585-0132-01	Kuggrem	Toothed Belt	
46	4	9699-0025-02	Bricka	Washer	
47	1	9699-0060-02	Bricka	Washer	
48	1	1134-4900-01	Remstyrning	Belt Guide	
49	2	9945-0816-16	Skruv	Screw	
53	4	9747-0631-02	Mutter	Nut	



Utgåva Issue 20 - 2015		Knivar		Blades	
Pos. Fig.	Antal Q.ty	Art nr Part No	Benämning	Description	Anmärkning Notes
1	2	1134-5049-02	Lagerbox Kpl	Bearing Box Assy	
2	1	1134-5124-01	Distans	Spacer	
3	2	9549-0056-01	Kullager	Ball Bearing	
4	8	9997-0865-12	Skruv	Screw	
5	8	9739-0831-22	Mutter	Nut	
6	2	1134-5126-01	Knivaxel	Blade Shaft	
7	2	1134-5124-01	Distans	Spacer	
8	2	1134-5130-02	Skyddsbricka	Bearing Cover	
11	4	9997-0820-16	Skruv	Screw	
12	4	9747-0831-02	Mutter	Nut	
13	1	1134-9072-01			Sats 2 st/Kit of 2
14	1	1134-9074-01	Knivsats Kpl (Cw)	Blade Kit Assy (Cw)	2 knivar/2 blade tips
15	1	1134-9054-01	Brytbultsats	Shear Bolt Kit	6 bultar/6 bolts+nuts
16	2	1134-4479-01	Ansatsbult (M8)	Shoulder Bolt (M8)	
17	2	9712-0831-02	Lasmutter	Nut	

code	pos.	q.ty	page										
1134-0041-04	28	2	p. 3	1134-5218-01	14	1	p. 5	9836-9530-12	11	2	p. 5		
1134-0240-00	41	2	p. 3	1134-5218-02	15	1	p. 5	9838-9530-12	11	2	p. 5		
1134-2138-01	16	1	p. 7	1134-5229-01	1	1	p. 9	9893-0616-16	30	4	p. 3		
1134-3434-01	27	2	p. 3	1134-5253-01	29	2	p. 3	9897-0616-16	3	4	p. 5		
1134-3710-01	35	2	p. 3	1134-5601-01	15	1	p. 9	9897-0825-16	29	2	p. 9		
1134-3725-01	19	1	p. 9	1134-5601-01	15	1	p. 9	9897-0850-12	22	2	p. 7		
1134-4057-01	2	1	p. 7	1134-5892-01	23	1	p. 5	9897-0850-12	46	4	p. 3		
1134-4284-01	18	2	p. 3	1134-9024-01	12	1	p. 3	9898-1035-16	33	2	p. 3		
1134-4291-02	10	1	p. 7	1134-9024-01	13	1	p. 5	9898-1035-16	36	2	p. 3		
1134-4291-02	10	1	p. 7	1134-9024-01	24	1	p. 5	9942-0612-16	6	1	p. 9		
1134-4291-03	10	1	p. 7	1134-9034-01	44	1	p. 9	9945-0816-16	11	1	p. 7		
1134-4291-03	10	1	p. 7	1134-9034-01	44	1	p. 9	9945-0816-16	49	2	p. 9		
1134-4294-02	27	2	p. 7	1134-9054-01	15	1	p. 11	9958-0820-16	14	2	p. 9		
1134-4296-02	19	2	p. 7	1134-9072-01	13	1	p. 11	9959-0616-16	26	4	p. 5		
1134-4298-02	21	2	p. 7	1134-9074-01	14	1	p. 11	9959-0816-16	16	4	p. 5		
1134-4314-01	21	1	p. 9	1139-0005-01	1	1	p. 7	9959-0816-16	26	4	p. 9		
1134-4316-03	40	1	p. 9	1139-0005-01	1	1	p. 7	9959-0816-16	30	4	p. 5		
1134-4319-01	19	4	p. 3	1139-0005-01	999	1	p. 7	9959-0820-16	6	1	p. 5		
1134-4321-01	17	2	p. 9	9402-3124-00	98	1	p. 5	9959-0820-16	8	2	p. 7		
1134-4323-01	2	2	p. 5	9402-3523-01	97	2	p. 5	9959-0820-16	21	2	p. 3		
1134-4479-01	16	2	p. 11	9501-0500-00	14	2	p. 3	9959-0830-16	3	1	p. 7		
1134-4481-01	8	2	p. 3	9501-0500-00	23	2	p. 3	9959-0830-16	13	1	p. 7		
1134-4574-01	2	1	p. 3	9549-0019-00	16	1	p. 9	9997-0650-12	20	4	p. 9		
1134-4577-01	3	1	p. 3	9549-0019-00	18	1	p. 9	9997-0650-12	20	4	p. 9		
1134-4667-02	25	1	p. 9	9549-0056-01	3	2	p. 11	9997-0660-12	20	4	p. 9		
1134-4686-01	39	1	p. 9	9585-0132-01	45	1	p. 9	9997-0660-12	20	4	p. 9		
1134-4688-02	1	1	p. 3	9598-0003-02	38	2	p. 3	9997-0820-16	11	4	p. 11		
1134-4689-01	25	4	p. 5	9600-0170-00	11	2	p. 9	9997-0825-16	4	1	p. 3		
1134-4775-01	43	1	p. 9	9650-0012-04	22	2	p. 3	9997-0835-12	6	1	p. 3		
1134-4865-01	2	1	p. 9	9675-0012-02	28	8	p. 7	9997-0840-16	5	1	p. 7		
1134-4876-01	23	1	p. 5	9699-0025-02	46	4	p. 9	9997-0865-12	4	8	p. 11		
1134-4877-01	7	1	p. 7	9699-0028-02	4	2	p. 9	9997-1040-12	41	1	p. 9		
1134-4883-01	12	1	p. 7	9699-0028-02	23	2	p. 7	9997-1065-12	22	1	p. 9		
1134-4884-01	1	1	p. 7	9699-0030-02	16	4	p. 3	9997-1090-12	15	2	p. 3		
1134-4884-01	1	1	p. 7	9699-0030-02	23	2	p. 9						
1134-4885-01	28	1	p. 9	9699-0030-02	42	1	p. 9						
1134-4894-02	26	2	p. 7	9699-0036-02	31	2	p. 9						
1134-4894-02	26	2	p. 7	9699-0056-02	14	1	p. 7						
1134-4894-02	26	2	p. 7	9699-0056-02	25	2	p. 7						
1134-4894-04	26	2	p. 7	9699-0060-02	47	1	p. 9						
1134-4894-04	26	2	p. 7	9699-0088-02	12	2	p. 9						
1134-4900-01	48	1	p. 9	9712-0831-02	17	2	p. 11						
1134-4905-01	10	1	p. 5	9739-0631-22	4	4	p. 5						
1134-5020-01	15	1	p. 9	9739-0831-22	5	8	p. 11						
1134-5020-01	15	1	p. 9	9739-0831-22	7	1	p. 5						
1134-5049-02	1	2	p. 11	9739-0831-22	9	2	p. 7						
1134-5124-01	2	1	p. 11	9739-0831-22	15	2	p. 7						
1134-5124-01	7	2	p. 11	9739-0831-22	17	2	p. 7						
1134-5126-01	6	2	p. 11	9739-0831-22	17	4	p. 5						
1134-5127-01	13	2	p. 9	9739-0831-22	17	4	p. 9						
1134-5128-01	7	2	p. 9	9739-0831-22	27	4	p. 9						
1134-5130-02	8	2	p. 11	9739-0831-22	31	4	p. 5						
1134-5180-01	28	1	p. 5	9739-0831-22	32	2	p. 9						
1134-5180-02	29	1	p. 5	9739-1031-22	24	1	p. 9						
1134-5181-01	5	1	p. 5	9739-1031-22	24	1	p. 9						
1134-5184-01	43	1	p. 3	9739-1031-22	37	2	p. 3						
1134-5187-01	1	1	p. 5	9747-0631-02	27	4	p. 5						
1134-5198-01	39	1	p. 3	9747-0631-02	53	4	p. 9						
1134-5198-02	40	1	p. 3	9747-0831-02	4	1	p. 7						
1134-5199-01	11	2	p. 3	9747-0831-02	4	1	p. 3						
1134-5202-01	31	1	p. 3	9747-0831-02	5	1	p. 3						
1134-5202-02	32	1	p. 3	9747-0831-02	5	2	p. 9						
1134-5205-01	12	1	p. 5	9747-0831-02	6	1	p. 7						
1134-5209-01	20	2	p. 3	9747-0831-02	7	1	p. 3						
1134-5210-02	13	2	p. 3	9747-0831-02	7	1	p. 3						
1134-5211-01	44	1	p. 3	9747-0831-02	12	4	p. 11						
1134-5217-01	45	1	p. 3	9747-0831-02	12	4	p. 11						
				9747-0831-02	24	2	p. 7						
				9747-0831-02	24	2	p. 7						
				9747-1031-02	42	2	p. 3						
				9747-1031-02	17	2	p. 3						
				9747-1031-02	34	2	p. 3						
				9748-0831-02	47	4	p. 3						