



Reservdelskatalog Parts Catalogue

PARK 110S

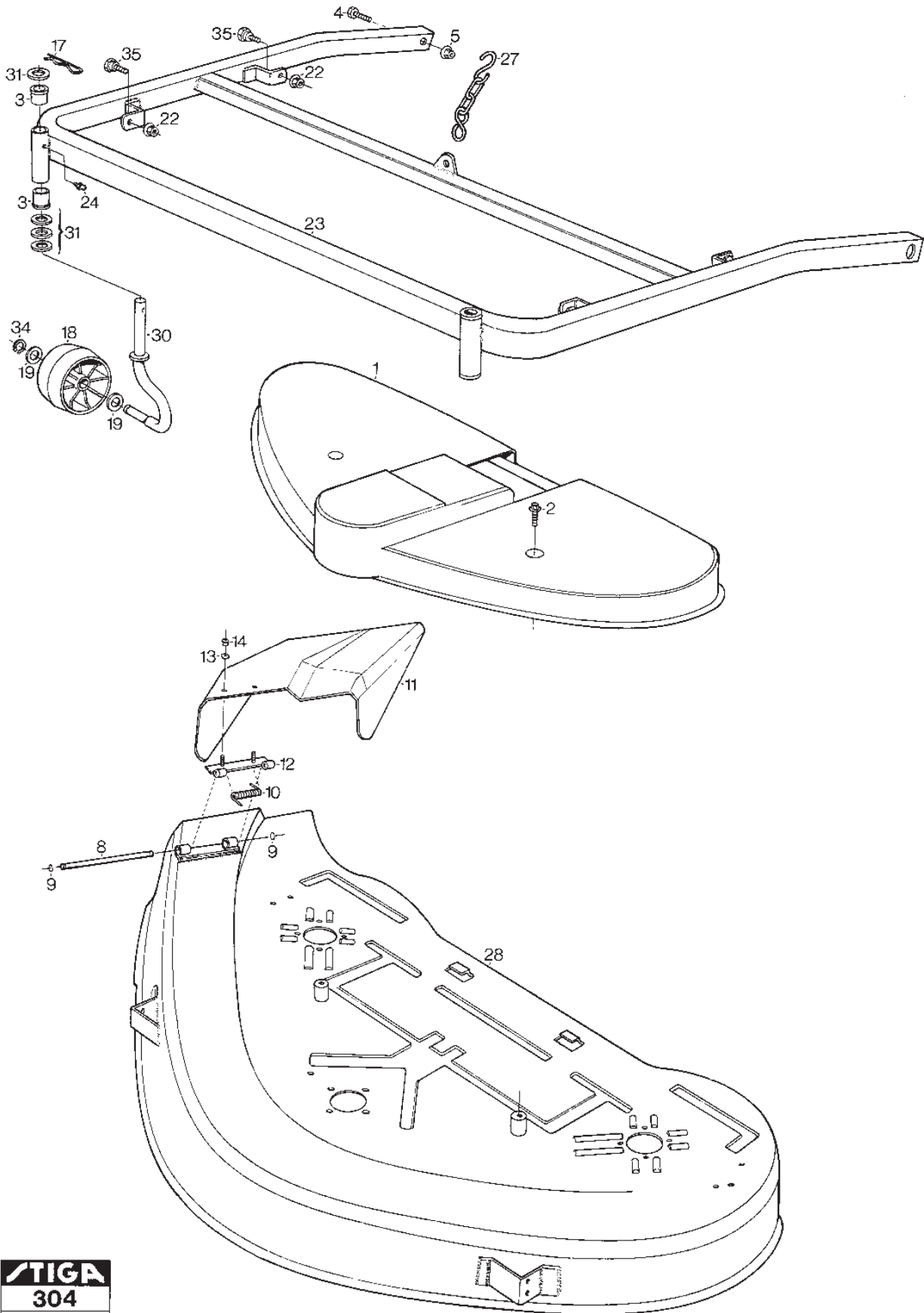
13-2917-13 - Season 1992

- Use GLOBAL GARDEN PRODUCT Genuine Spare Parts specified in the parts list for repair and/or replacement.
 - The contents described in the parts list may change due to improvement.
 - The drawings of the spare parts are only indicative and might not represent the part in question exactly.
 - The indications "right" - "left" - "front" - "rear" refer to the position of the operator when using the machine.
- When placing orders of parts for repair and/or replacement, make sure that the illustrated parts list is the one applying to the machine's year of manufacture, as shown on the identification plate attached to the machine.

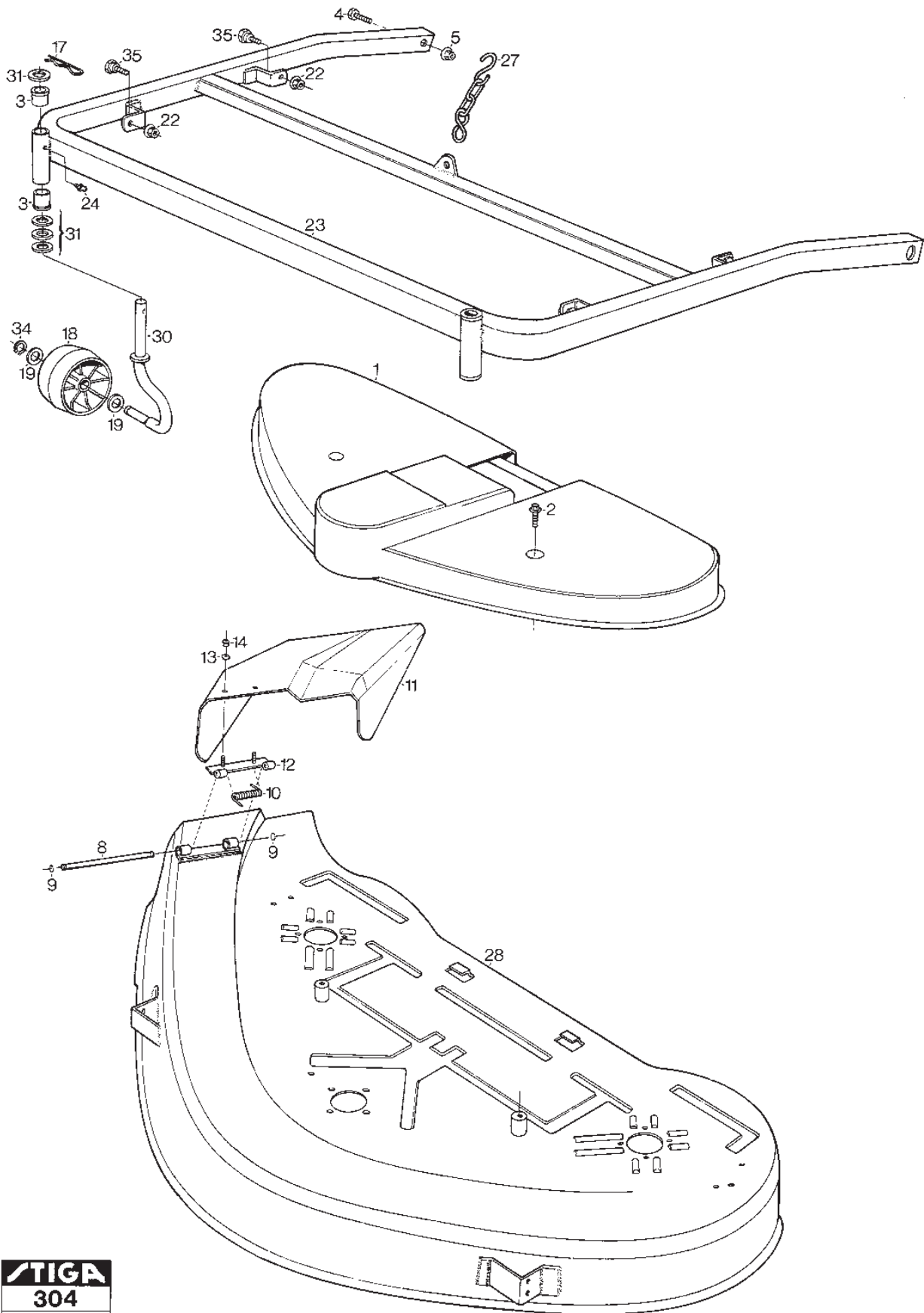
© Copyright 2014 Global Garden Products

All rights reserved. No part of this material may be reproduced or transmitted, in any form or by any means, electronic or mechanical, including photocopying, recording or by any information storage and retrieval system, without permission in writing from GLOBAL GARDEN PRODUCTS.

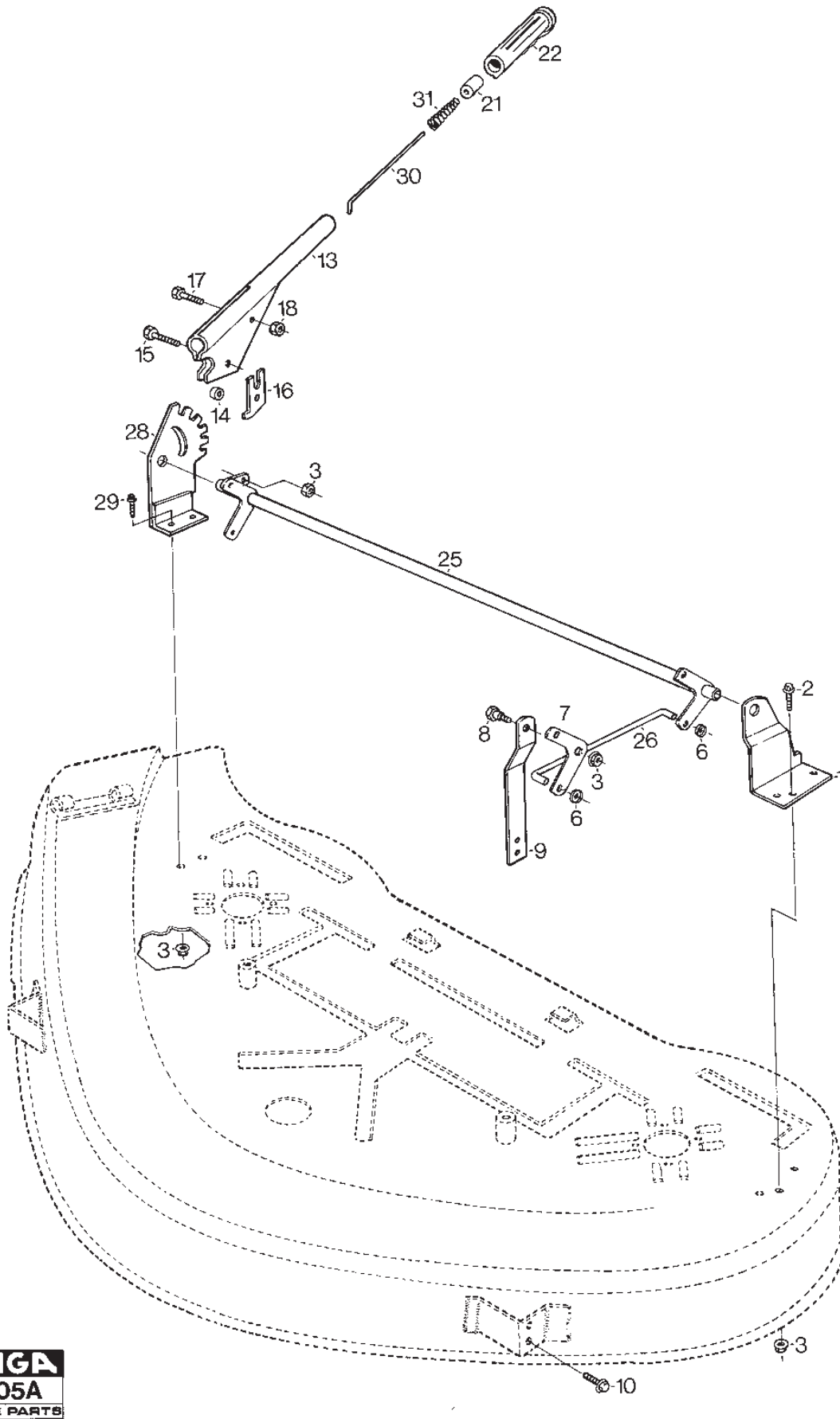
www.stiga.com



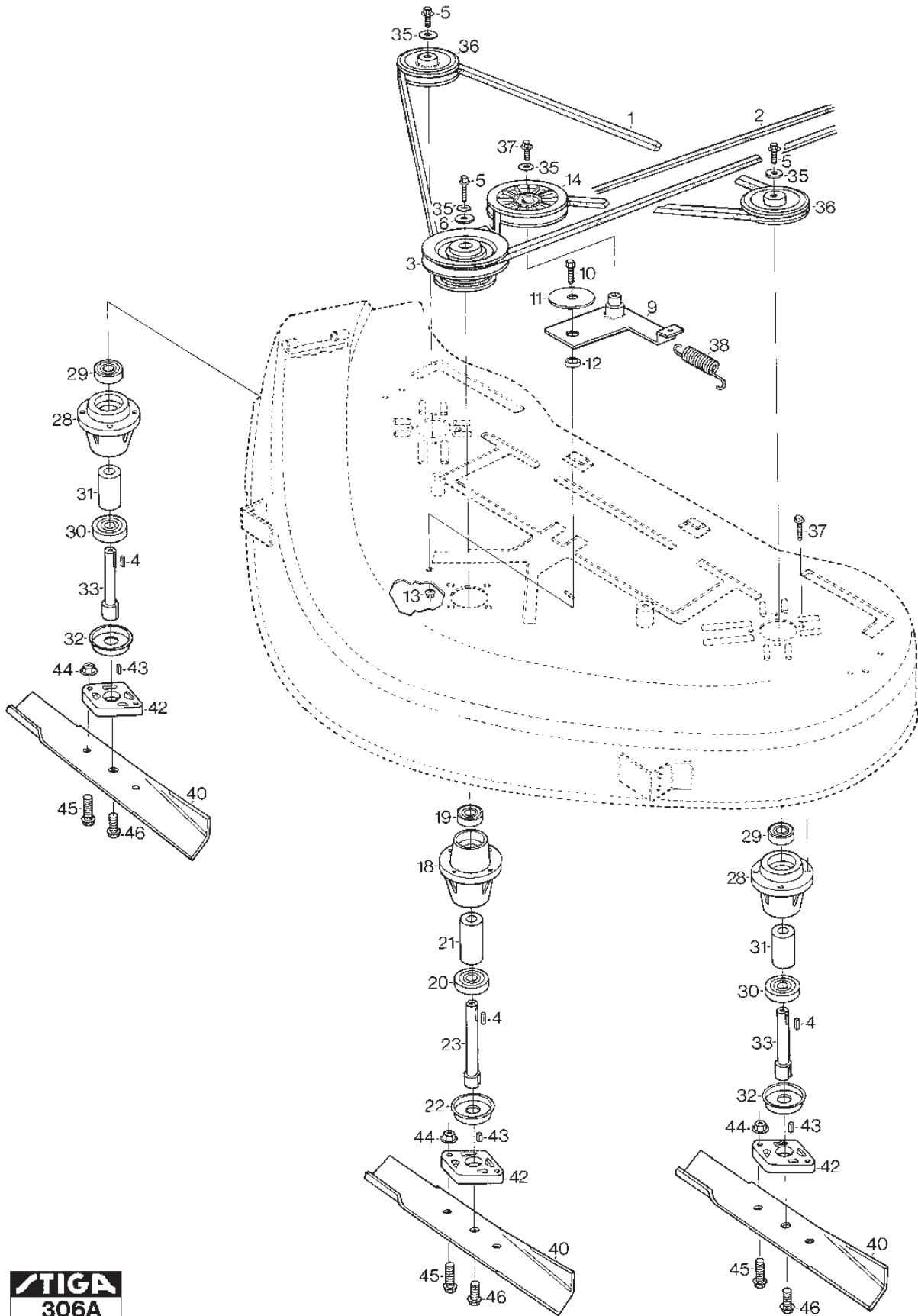
Utgåva Issue 36 - 2014		Ram		Frame	
Pos. Fig.	Antal Q.ty	Art nr Part No	Benämning	Description	Anmärkning Notes
1	1	1134-3893-01	Transmissionskåpa5-01	Transmission Cover	
2	2	9945-0816-16	Skruv	Screw	
3	1	1134-9024-01	Lager (4 St)	Bearing	Sats 4 st/kit of 4
4	2	9997-1035-16	Skruv	Screw	
5	2	9739-1031-22	Mutter	Nut	
8	1	1111-1648-01	Stift	Pivot Pin	
9	2	9652-0005-04	Segersäkringsåkring Sga10	Circlip	
10	1	1111-1649-01	Fjäder	Spring	
11	1	1134-3937-01	Utkastskärm	Discharge Deflector	
12	1	1134-2543-01	Gångjärnshalva 5-01 24	Link	
13	2	9699-0060-02	Bricka	Washer	
14	2	9799-0631-02	Mutter	Nut	
17	2	9598-0003-02	Spring Pin	Spring Pin	
18	2	1134-2405-01	Stödhjul	Casing Wheel	
19	4	9699-0104-02	Bricka	Washer	
22	4	9747-0831-02	Mutter Låsmutter	Nut	
23	1	1134-2500-01	Ram Kpl. 02	Frame	
24	2	9501-0500-00	Smörjkopp Kort Rak	Grease Dispenser	
27	1	1134-2516-01	Kedja	Chain	
28	1	1134-2544-01	Kåpa Kpl. 1-00 L01C	Casing	
30	2	1134-2509-01	Hjulaxel	Wheel Axle	
31	8	9699-0042-02	Bricka	Washer	
34	2	9650-0016-04	Spårring Sga 16	Circlip	
35	4	1134-0240-00	Skruv	Screw	
99	1	9402-3371-00	Dekal	Warning Label Discharge	Ej ill/not ill.
17	2	9598-0003-02	Spring Pin	Spring Pin	
9	2	9652-0005-04	Segersäkringsåkring Sga10	Circlip	
0	1	13-2917-12	Klippaggregat kpl	Mower deck assy	
0	1	13-2917-13	Klippaggregat kpl	Mower deck assy	
0	1	13-2917-14	Klippaggregat kpl	Mowing unit assy	ANSI
	1	13-2917-16	Klippaggregat kpl	Mowing unit assy	ANSI
8	1	1111-1648-01	Stift	Pivot Pin	
10	1	1111-1649-01	Fjäder	Spring	
35	4	1134-0240-00	Skruv	Screw	
18	2	1134-2405-01	Stödhjul	Casing Wheel	
23	1	1134-2500-01	Ram Kpl. 02	Frame	
30	2	1134-2509-01	Hjulaxel	Wheel Axle	
27	1	1134-2516-01	Kedja	Chain	
12	1	1134-2543-01	Gångjärnshalva 5-01 24	Link	
28	1	1134-2544-01	Kåpa Kpl. 1-00 L01C	Casing	
1	1	1134-2545-01	Transmissionskåpa	Transmission Cover	
1	1	1134-2545-01	Transmissionskåpa	Transmission Cover	
1	1	1134-2545-01	Transmissionskåpa	Transmission Cover	
11	1	1134-2548-01	Deflektor	Deflector	
11	1	1134-2548-01	Deflektor	Deflector	
1	1	1134-3893-01	Transmissionskåpa5-01	Transmission Cover	
1	1	1134-3893-01	Transmissionskåpa5-01	Transmission Cover	
1	1	1134-3893-01	Transmissionskåpa5-01	Transmission Cover	
11	1	1134-3937-01	Utkastskärm	Discharge Deflector	



Utgåva Issue 36 - 2014		Ram Frame			
Pos. Fig.	Antal Q.ty	Art nr Part No	Benämning	Description	Anmärkning Notes
11	1	1134-3937-01	Utkastskärm	Discharge Deflector	
3	1	1134-9024-01	Lager (4 St)	Bearing	
3	4	1134-9024-01	Lager (4 St)	Bearing	
99	1	9402-3203-00	Dekal	Warning Label W.Symbols	Ej ill/not ill.
99	1	9402-3371-00	Dekal	Warning Label Discharge	Ej ill/not ill.
24	2	9501-0500-00	Smörjkopp Kort Rak	Grease Dispenser	
34	2	9650-0016-04	Spårring Sga 16	Circlip	
31	8	9699-0042-02	Bricka	Washer	
13	2	9699-0060-02	Bricka	Washer	
19	4	9699-0104-02	Bricka	Washer	
22	4	9739-0831-22	Mutter	Nut	
22	4	9739-0831-22	Mutter	Nut	
5	2	9739-1031-22	Mutter	Nut	
22	4	9747-0831-02	Mutter Låsmutter	Nut	
22	4	9747-0831-02	Mutter Låsmutter	Nut	
14	2	9799-0631-02	Mutter	Nut	
2	2	9942-0816-16	Skruv	Screw	
2	2	9942-0816-16	Skruv	Screw	
2	2	9945-0816-16	Skruv	Screw	
2	2	9945-0816-16	Skruv	Screw	
4	2	9997-1035-16	Skruv	Screw	



Utgåva Issue 36 - 2014		Reglage Mower Deck 110S Controls			
Pos. Fig.	Antal Q.ty	Art nr Part No	Benämning	Description	Anmärkning Notes
6	4	9675-0012-02	Starlock	Locking washer	
0	1	13-2917-13	Klippaggregat kpl	Mower deck assy	
0	1	13-2917-14	Klippaggregat kpl	Mowing unit assy	ANSI
	1	13-2917-16	Klippaggregat kpl	Mowing unit assy	ANSI
8	2	1134-0240-00	Skruv	Screw	
26	2	1134-1833-02	Stag För Höjdinst	Rod	
31	1	1134-2398-01	Fjäder	Spring	
14	1	1134-2427-01	Distans	Spacer	
28	1	1134-2507-01	Höjdinst.Segment	Quadrant	
1	1	1134-2511-01	Fäste	Attachment	
9	2	1134-2512-01	Fäste 24	Attachment	
25	1	1134-2513-01	Parallellaxel Kpl	Shaft	
13	1	1134-2747-01	Höjdinställningsspak	Lever, Height Adjustment	
16	1	1134-2748-01	Stoppsegment	Locking Plate	
30	1	1134-2749-01	Reglagestång	Control Rod	
7	2	1134-2907-03	Pivotplatta 5-01 24	Pivoting Plate	
13	1	1134-3039-01	Höjdinställningsspak	Lever, Height Adjustment	
13	1	1134-3039-01	Höjdinställningsspak	Lever, Height Adjustment	
21	1	1134-3051-01	Lås ratt	Locking Knob	
21	1	1134-3051-01	Lås ratt	Locking Knob	
21	1	1134-3592-01	Plastknopp	Button	
22	1	9406-0006-00	Handtag 01.100.026 Faca	Handle	
3	8	9739-0831-22	Mutter	Nut	
18	1	9747-0631-02	Mutter Låsmutter	Nut	
10	4	9942-0816-16	Skruv	Screw	
2	3	9959-0816-16	Skruv	Screw	
29	2	9959-0816-16	Skruv	Screw	
17	1	9997-0620-16	Skruv	Screw	
15	1	9997-0825-16	Skruv	Screw	



Utgåva Issue 36 - 2014		Knivar	Mower Deck Blades		
Pos. Fig.	Antal Q.ty	Art nr Part No	Benämning	Description	Anmärkning Notes
0	1	13-2917-13	Klippaggregat kpl	Mower deck assy	
0	1	13-2917-14	Klippaggregat kpl	Mowing unit assy	ANSI
	1	13-2917-16	Klippaggregat kpl	Mowing unit assy	ANSI
12	1	1131-1684-00	Distans	Spacer	
12	1	1131-1684-00	Distans	Spacer	
31	1	1134-0051-05	Distans	Spacer	
21	1	1134-0051-06	Distans	Spacer	
4	3	1134-0323-00	Plattkil	Key	
43	3	1134-0323-00	Plattkil	Key	
9	1	1134-0325-02	Spännarm	Tensioning Arm	
38	1	1134-0327-00	Fjäder	Spring	
33	1	1134-0397-01	Knivaxel	Blade Shaft	
23	1	1134-0397-02	Knivaxel	Blade Shaft	
22	1	1134-0400-01	Bricka	Washer	
32	1	1134-0400-01	Bricka	Washer	
28	2	1134-0428-01	Lagerbox Smst Ema	Bearing Box Assy.	
18	1	1134-0430-01	Lagerbox Smst Service	Bearing Box Assy	
36	2	1134-1285-01	Remskiva	Belt Pulley	
12	1	1134-1684-00	Distans	Spacer	
42	3	1134-2082-01	Knivfäste	Blade Holder	
42A	3	1134-2082-01	Knivfäste	Blade Holder	
3	1	1134-2430-01	Remskiva	Belt Pulley	
40	3	1134-2547-01	Kniv	Blade	
14	1	1134-3053-01	Spännrulle	Tension Roller	
42	1	1134-9000-01	Knivfäste	Blade Holder	
1	1	1134-9005-01	Kilrem	V-Belt	=9585-0106-00
2	1	1134-9016-01	Kilrem	V-Belt	=9585-0066-00
19	1	9549-0019-00	Kullager	Ball Bearing	
29	1	9549-0019-00	Kullager	Ball Bearing	
20	1	9549-0020-00	Kullager	Ball Bearing	
30	1	9549-0020-00	Kullager	Ball Bearing	
35	4	9699-0056-02	Bricka	Washer	
6	1	9699-0104-02	Bricka	Washer	
11	1	9699-0109-02	Bricka	Washer	
13	1	9739-0831-22	Mutter	Nut	
44	6	9739-0831-22	Mutter	Nut	
37	13	9942-0816-16	Skruv	Screw	
37	13	9942-0816-16	Skruv	Screw	
37	13	9945-0816-16	Skruv	Screw	
5	3	9958-0820-16	Skruv	Screw	
10	1	9959-0820-16	Skruv	Screw	
10	1	9959-0820-16	Skruv	Screw	
45	6	9959-0830-16	Skruv	Screw	
46	3	9991-1024-19	Skruv	Screw	
10	1	9997-0820-16	Skruv	Screw	
10	1	9997-0820-16	Skruv	Screw	
10	1	9997-0820-16	Skruv	Screw	



code	pos.	q.ty	page										
13-2917-12	0	1	p. 3	1134-3039-01	13	1	p. 7	9959-0816-16	2	3	p. 7		
13-2917-13	0	1	p. 3	1134-3051-01	21	1	p. 7	9959-0816-16	29	2	p. 7		
13-2917-13	0	1	p. 7	1134-3051-01	21	1	p. 7	9959-0820-16	10	1	p. 9		
13-2917-13	0	1	p. 9	1134-3053-01	14	1	p. 9	9959-0820-16	10	1	p. 9		
13-2917-14	0	1	p. 3	1134-3592-01	21	1	p. 7	9959-0830-16	45	6	p. 9		
13-2917-14	0	1	p. 7	1134-3893-01	1	1	p. 3	9991-1024-19	46	3	p. 9		
13-2917-14	0	1	p. 9	1134-3893-01	1	1	p. 3	9997-0620-16	17	1	p. 7		
13-2917-16		1	p. 3	1134-3893-01	1	1	p. 3	9997-0820-16	10	1	p. 9		
13-2917-16		1	p. 7	1134-3893-01	1	1	p. 3	9997-0820-16	10	1	p. 9		
13-2917-16		1	p. 9	1134-3937-01	11	1	p. 3	9997-0820-16	10	1	p. 9		
1111-1648-01	8	1	p. 3	1134-3937-01	11	1	p. 3	9997-0825-16	15	1	p. 7		
1111-1648-01	8	1	p. 3	1134-3937-01	11	1	p. 5	9997-1035-16	4	2	p. 3		
1111-1649-01	10	1	p. 3	1134-9000-01	42	1	p. 9	9997-1035-16	4	2	p. 3		
1111-1649-01	10	1	p. 3	1134-9005-01	1	1	p. 9						
1131-1684-00	12	1	p. 9	1134-9016-01	2	1	p. 9						
1131-1684-00	12	1	p. 9	1134-9024-01	3	1	p. 3						
1134-0051-05	31	1	p. 9	1134-9024-01	3	1	p. 5						
1134-0051-06	21	1	p. 9	1134-9024-01	3	4	p. 5						
1134-0240-00	8	2	p. 7	9402-3203-00	99	1	p. 5						
1134-0240-00	35	4	p. 3	9402-3371-00	99	1	p. 3						
1134-0240-00	35	4	p. 3	9402-3371-00	99	1	p. 5						
1134-0323-00	4	3	p. 9	9406-0006-00	22	1	p. 7						
1134-0323-00	43	3	p. 9	9501-0500-00	24	2	p. 3						
1134-0325-02	9	1	p. 9	9501-0500-00	24	2	p. 5						
1134-0327-00	38	1	p. 9	9549-0019-00	19	1	p. 9						
1134-0397-01	33	1	p. 9	9549-0019-00	29	1	p. 9						
1134-0397-02	23	1	p. 9	9549-0020-00	20	1	p. 9						
1134-0400-01	22	1	p. 9	9549-0020-00	30	1	p. 9						
1134-0400-01	32	1	p. 9	9598-0003-02	17	2	p. 3						
1134-0428-01	28	2	p. 9	9598-0003-02	17	2	p. 3						
1134-0430-01	18	1	p. 9	9650-0016-04	34	2	p. 3						
1134-1285-01	36	2	p. 9	9650-0016-04	34	2	p. 5						
1134-1684-00	12	1	p. 9	9652-0005-04	9	2	p. 3						
1134-1833-02	26	2	p. 7	9652-0005-04	9	2	p. 3						
1134-2082-01	42	3	p. 9	9675-0012-02	6	4	p. 7						
1134-2082-01	42A	3	p. 9	9699-0042-02	31	8	p. 3						
1134-2398-01	31	1	p. 7	9699-0042-02	31	8	p. 5						
1134-2405-01	18	2	p. 3	9699-0056-02	35	4	p. 9						
1134-2405-01	18	2	p. 3	9699-0060-02	13	2	p. 3						
1134-2427-01	14	1	p. 7	9699-0060-02	13	2	p. 5						
1134-2430-01	3	1	p. 9	9699-0104-02	6	1	p. 9						
1134-2500-01	23	1	p. 3	9699-0104-02	19	4	p. 3						
1134-2500-01	23	1	p. 3	9699-0104-02	19	4	p. 5						
1134-2507-01	28	1	p. 7	9699-0109-02	11	1	p. 9						
1134-2509-01	30	2	p. 3	9739-0831-22	3	8	p. 7						
1134-2509-01	30	2	p. 3	9739-0831-22	13	1	p. 9						
1134-2511-01	1	1	p. 7	9739-0831-22	22	4	p. 5						
1134-2512-01	9	2	p. 7	9739-0831-22	22	4	p. 5						
1134-2513-01	25	1	p. 7	9739-0831-22	44	6	p. 9						
1134-2516-01	27	1	p. 3	9739-1031-22	5	2	p. 3						
1134-2516-01	27	1	p. 3	9739-1031-22	5	2	p. 5						
1134-2543-01	12	1	p. 3	9747-0631-02	18	1	p. 7						
1134-2543-01	12	1	p. 3	9747-0831-02	22	4	p. 3						
1134-2544-01	28	1	p. 3	9747-0831-02	22	4	p. 5						
1134-2544-01	28	1	p. 3	9747-0831-02	22	4	p. 5						
1134-2545-01	1	1	p. 3	9799-0631-02	14	2	p. 3						
1134-2545-01	1	1	p. 3	9799-0631-02	14	2	p. 5						
1134-2545-01	1	1	p. 3	9942-0816-16	2	2	p. 5						
1134-2547-01	40	3	p. 9	9942-0816-16	2	2	p. 5						
1134-2548-01	11	1	p. 3	9942-0816-16	10	4	p. 7						
1134-2548-01	11	1	p. 3	9942-0816-16	37	13	p. 9						
1134-2747-01	13	1	p. 7	9942-0816-16	37	13	p. 9						
1134-2748-01	16	1	p. 7	9945-0816-16	2	2	p. 3						
1134-2749-01	30	1	p. 7	9945-0816-16	2	2	p. 5						
1134-2907-03	7	2	p. 7	9945-0816-16	2	2	p. 5						
1134-3039-01	13	1	p. 7	9945-0816-16	37	13	p. 9						
				9958-0820-16	5	3	p. 9						