



## **Reservdelskatalog Parts Catalogue**

# **PARK 110S**

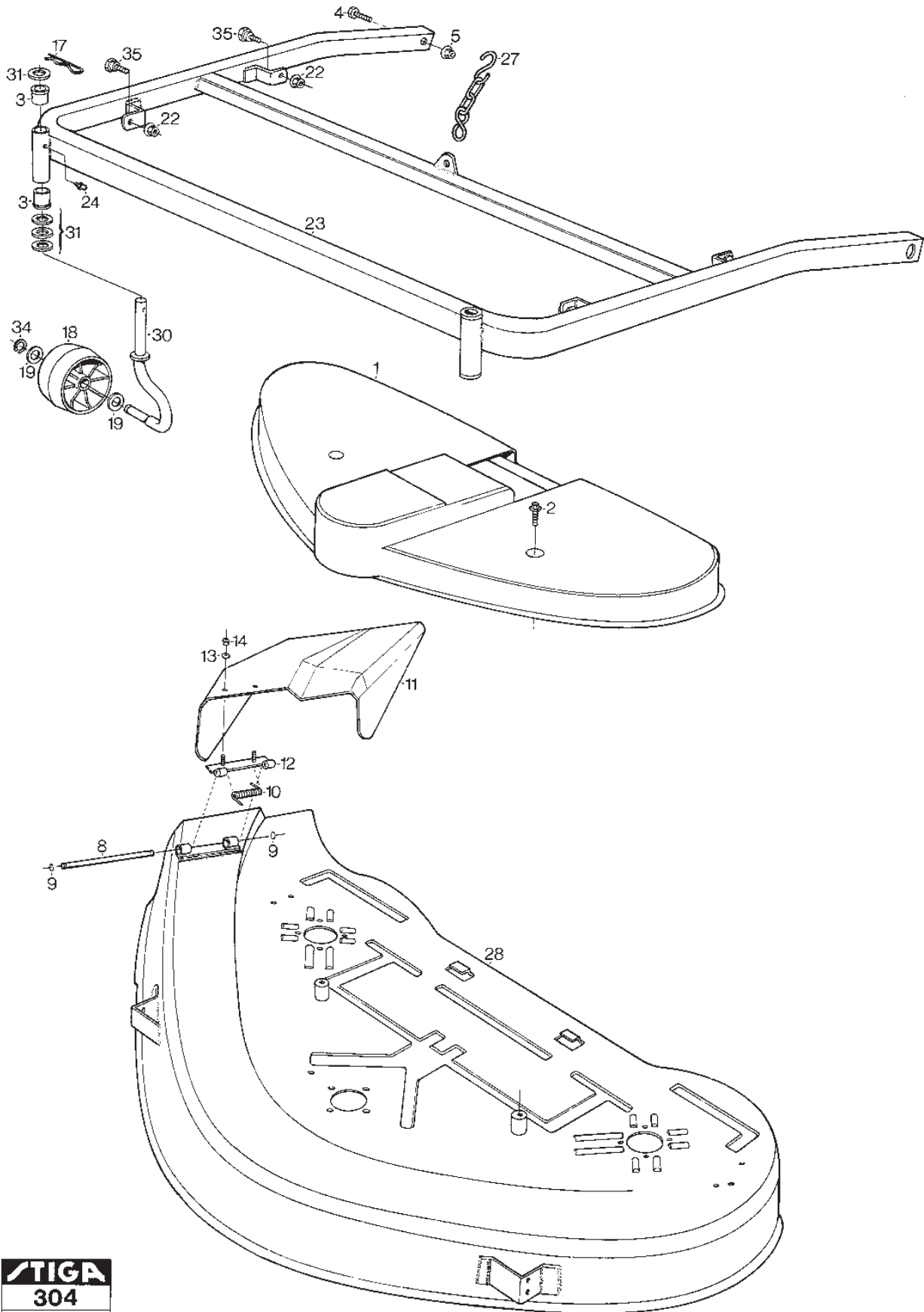
**13-2917-14 - Season 1994**

- Use GLOBAL GARDEN PRODUCT Genuine Spare Parts specified in the parts list for repair and/or replacement.
  - The contents described in the parts list may change due to improvement.
  - The drawings of the spare parts are only indicative and might not represent the part in question exactly.
  - The indications "right" - "left" - "front" - "rear" refer to the position of the operator when using the machine.
- When placing orders of parts for repair and/or replacement, make sure that the illustrated parts list is the one applying to the machine's year of manufacture, as shown on the identification plate attached to the machine.

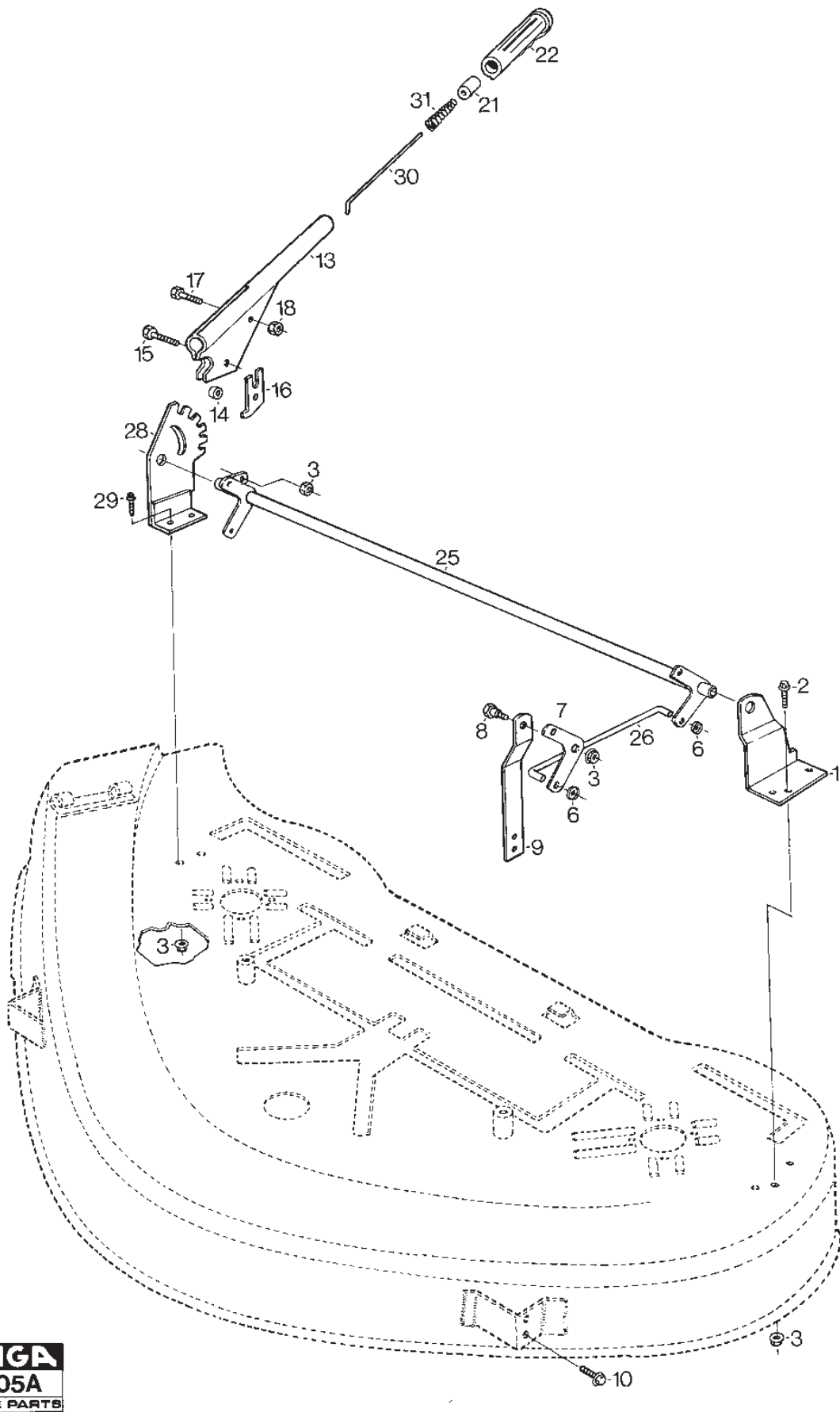
© Copyright 2014 Global Garden Products

All rights reserved. No part of this material may be reproduced or transmitted, in any form or by any means, electronic or mechanical, including photocopying, recording or by any information storage and retrieval system, without permission in writing from GLOBAL GARDEN PRODUCTS.

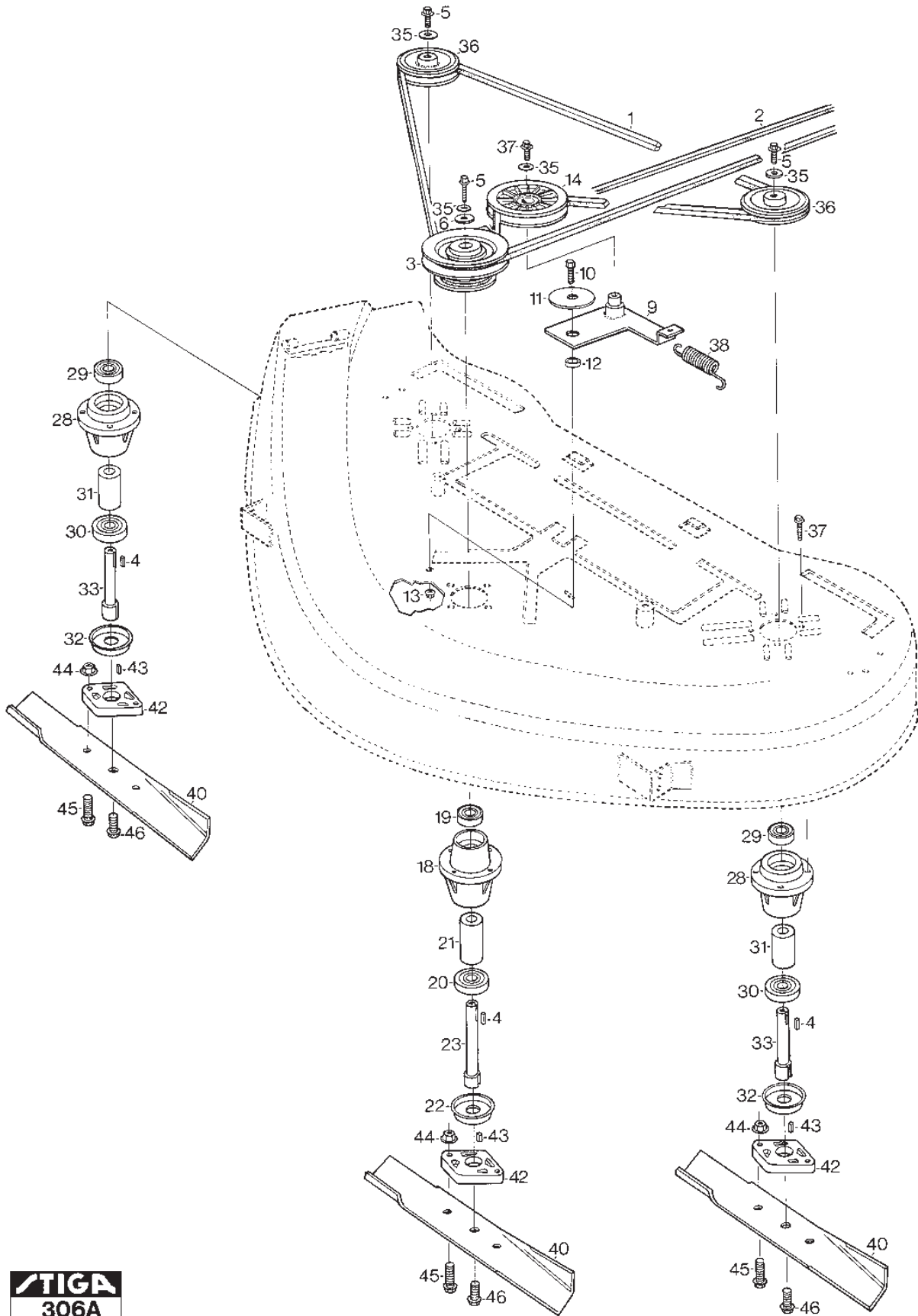
[www.stiga.com](http://www.stiga.com)



Utgåva Issue 41 - 2014		Ram		Frame	
Pos. Fig.	Antal Quantity	Art nr Part No	Benämning	Description	Anmärkning Notes
0	1	13-2917-14	Klippaggregat kpl	Mowing unit assy	ANSI
0	1	13-2917-12	Klippaggregat kpl	Mower deck assy	
0	1	13-2917-13	Klippaggregat kpl	Mower deck assy	
1	1	1134-2545-01	Transmissionskåpa	Transmission Cover	
1	1	1134-3893-01	Transmissionskåpa5-01	Transmission Cover	
1	1	1134-2545-01	Transmissionskåpa	Transmission Cover	
1	1	1134-3893-01	Transmissionskåpa5-01	Transmission Cover	
2	2	9942-0816-16	Skruv	Screw	
2	2	9945-0816-16	Skruv	Screw	
2	2	9942-0816-16	Skruv	Screw	
2	2	9945-0816-16	Skruv	Screw	
3	1	1134-9024-01	Lager (4 St)	Bearing	Sats 4 st/kit of 4
3	1	1134-9024-01	Lager (4 St)	Bearing	Sats 4 st/kit of 4
3	4	1134-9024-01	Lager (4 St)	Bearing	
3	4	1134-9024-01	Lager (4 St)	Bearing	
4	2	9997-1035-16	Skruv	Screw	
5	2	9739-1031-22	Mutter	Nut	
8	1	1111-1648-01	Stift	Pivot Pin	
9	2	9652-0005-04	Segersäkringsåkring Sga10	Circlip	
10	1	1111-1649-01	Fjäder	Spring	
11	1	1134-2548-01	Deflektor	Deflector	
11	1	1134-3937-01	Utkastskärm	Discharge Deflector	
11	1	1134-2548-01	Deflektor	Deflector	
11	1	1134-3937-01	Utkastskärm	Discharge Deflector	
12	1	1134-2543-01	Gångjärnshalva 5-01 24	Link	
13	2	9699-0060-02	Bricka	Washer	
14	2	9799-0631-02	Mutter	Nut	
17	2	9598-0003-02			
18	2	1134-2405-01	Stödhjul	Casing Wheel	
19	4	9699-0104-02	Bricka	Washer	
22	4	9739-0831-22	Mutter	Nut	
22	4	9747-0831-02	Mutter   Låsmutter	Nut	
22	4	9739-0831-22	Mutter	Nut	
22	4	9747-0831-02	Mutter   Låsmutter	Nut	
23	1	1134-2500-01	Ram Kpl. 02	Frame	
24	2	9501-0500-00	Smörjkopp Kort Rak	Grease Dispenser	
27	1	1134-2516-01	Kedja	Chain	
28	1	1134-2544-01	Kåpa Kpl. 1-00 L01C	Casing	
30	2	1134-2509-01	Hjulaxel	Wheel Axle	
31	8	9699-0042-02	Bricka	Washer	
34	2	9650-0016-04	Spårring Sga 16	Circlip	
35	4	1134-0240-00	Skruv	Screw	
99	1	9402-3203-00	Dekal	Warning Label W.Symbols	Ej ill/not ill.
99	1	9402-3371-00	Dekal	Warning Label Discharge	Ej ill/not ill.
99	1	9402-3203-00	Dekal	Warning Label W.Symbols	Ej ill/not ill.
99	1	9402-3371-00	Dekal	Warning Label Discharge	Ej ill/not ill.
999	1	13-2917-16	Klippaggregat kpl	Mowing unit assy	ANSI



Utgåva Issue 41 - 2014		Reglage Mower Deck 110S Controls			
Pos. Fig.	Antal Quantity	Art nr Part No	Benämning	Description	Anmärkning Notes
1	1	1134-2511-01	Fäste	Attachment	
2	3	9959-0816-16	Skruv	Screw	
3	8	9739-0831-22	Mutter	Nut	
6	4	9675-0012-02	Starlock	Locking washer	
7	2	1134-2907-03	Pivotplatta 5-01 24	Pivoting Plate	
8	2	1134-0240-00	Skruv	Screw	
9	2	1134-2512-01	Fäste 24	Attachment	
10	4	9942-0816-16	Skruv	Screw	
13	1	1134-2747-01	Höjdinställningsspak	Lever, Height Adjustment	
13	1	1134-3039-01	Höjdinställningsspak	Lever, Height Adjustment	
14	1	1134-2427-01	Distans	Spacer	
15	1	9997-0825-16	Skruv	Screw	
16	1	1134-2748-01	Stoppsegment	Locking Plate	
17	1	9997-0620-16	Skruv	Screw	
18	1	9747-0631-02	Mutter   Låsmutter	Nut	
21	1	1134-3051-01	Låsratt	Locking Knob	
21	1	1134-3592-01	Plastknopp	Button	
22	1	9406-0006-00	Handtag 01.100.026 Faca	Handle	
25	1	1134-2513-01	Parallellaxel Kpl	Shaft	
26	2	1134-1833-02	Stag För Höjdinst	Rod	
28	1	1134-2507-01	Höjdinst.Segment	Quadrant	
29	2	9959-0816-16	Skruv	Screw	
30	1	1134-2749-01	Reglagestång	Control Rod	
31	1	1134-2398-01	Fjäder	Spring	



Utgåva Issue 41 - 2014		Knivar	Mower Deck Blades		
Pos. Fig.	Antal Quantity	Art nr Part No	Benämning	Description	Anmärkning Notes
1	1	1134-9005-01	Kilrem	V-Belt	=9585-0106-00
2	1	1134-9016-01	Kilrem	V-Belt	=9585-0066-00
3	1	1134-2430-01	Remskiva	Belt Pulley	
4	3	1134-0323-00	Plattkil	Key	
5	3	9958-0820-16	Skruv	Screw	
6	1	9699-0104-02	Bricka	Washer	
9	1	1134-0325-02	Spännarm	Tensioning Arm	
10	1	9959-0820-16	Skruv	Screw	
10	1	9997-0820-16	Skruv	Screw	
11	1	9699-0109-02	Bricka	Washer	
12	1	1131-1684-00	Distans	Spacer	
12	1	1134-1684-00	Distans	Spacer	
13	1	9739-0831-22	Mutter	Nut	
14	1	1134-3053-01	Spännrulle	Tension Roller	
18	1	1134-0430-01	Lagerbox Smst Service	Bearing Box Assy	
19	1	9549-0019-00	Kullager	Ball Bearing	
20	1	9549-0020-00	Kullager	Ball Bearing	
21	1	1134-0051-06	Distans	Spacer	
22	1	1134-0400-01	Bricka	Washer	
23	1	1134-0397-02	Knivaxel	Blade Shaft	
28	2	1134-0428-01	Lagerbox Smst Ema	Bearing Box Assy.	
29	1	9549-0019-00	Kullager	Ball Bearing	
30	1	9549-0020-00	Kullager	Ball Bearing	
31	1	1134-0051-05	Distans	Spacer	
32	1	1134-0400-01	Bricka	Washer	
33	1	1134-0397-01	Knivaxel	Blade Shaft	
35	4	9699-0056-02	Bricka	Washer	
36	2	1134-1285-01	Remskiva	Belt Pulley	
37	13	9942-0816-16	Skruv	Screw	
37	13	9945-0816-16	Skruv	Screw	
38	1	1134-0327-00	Fjäder	Spring	
40	3	1134-2547-01	Kniv	Blade	
42	1	1134-9000-01	Knivfäste	Blade Holder	Sats 3 st/kit of 3
42	3	1134-2082-01	Knivfäste	Blade Holder	
42	3	1134-2082-01	Knivfäste	Blade Holder	
43	3	1134-0323-00	Plattkil	Key	
44	6	9739-0831-22	Mutter	Nut	
45	6	9959-0830-16	Skruv	Screw	
46	3	9991-1024-19	Skruv	Screw	

code	pos.	q.ty	page				
13-2917-12	0	1	p. 3	9402-3371-00	99	1	p. 3
13-2917-13	0	1	p. 3	9406-0006-00	22	1	p. 5
13-2917-14	0	1	p. 3	9501-0500-00	24	2	p. 3
13-2917-16	999	1	p. 3	9549-0019-00	19	1	p. 7
1111-1648-01	8	1	p. 3	9549-0019-00	29	1	p. 7
1111-1649-01	10	1	p. 3	9549-0020-00	20	1	p. 7
1131-1684-00	12	1	p. 7	9549-0020-00	30	1	p. 7
1134-0051-05	31	1	p. 7	9598-0003-02	17	2	p. 3
1134-0051-06	21	1	p. 7	9650-0016-04	34	2	p. 3
1134-0240-00	8	2	p. 5	9652-0005-04	9	2	p. 3
1134-0240-00	35	4	p. 3	9675-0012-02	6	4	p. 5
1134-0323-00	4	3	p. 7	9699-0042-02	31	8	p. 3
1134-0323-00	43	3	p. 7	9699-0056-02	35	4	p. 7
1134-0325-02	9	1	p. 7	9699-0060-02	13	2	p. 3
1134-0327-00	38	1	p. 7	9699-0104-02	6	1	p. 7
1134-0397-01	33	1	p. 7	9699-0104-02	19	4	p. 3
1134-0397-02	23	1	p. 7	9699-0109-02	11	1	p. 7
1134-0400-01	22	1	p. 7	9739-0831-22	3	8	p. 5
1134-0400-01	32	1	p. 7	9739-0831-22	13	1	p. 7
1134-0428-01	28	2	p. 7	9739-0831-22	22	4	p. 3
1134-0430-01	18	1	p. 7	9739-0831-22	22	4	p. 3
1134-1285-01	36	2	p. 7	9739-0831-22	44	6	p. 7
1134-1684-00	12	1	p. 7	9739-1031-22	5	2	p. 3
1134-1833-02	26	2	p. 5	9747-0631-02	18	1	p. 5
1134-2082-01	42	3	p. 7	9747-0831-02	22	4	p. 3
1134-2082-01	42	3	p. 7	9747-0831-02	22	4	p. 3
1134-2398-01	31	1	p. 5	9799-0631-02	14	2	p. 3
1134-2405-01	18	2	p. 3	9942-0816-16	2	2	p. 3
1134-2427-01	14	1	p. 5	9942-0816-16	2	2	p. 3
1134-2430-01	3	1	p. 7	9942-0816-16	10	4	p. 5
1134-2500-01	23	1	p. 3	9942-0816-16	37	13	p. 7
1134-2507-01	28	1	p. 5	9945-0816-16	2	2	p. 3
1134-2509-01	30	2	p. 3	9945-0816-16	2	2	p. 3
1134-2511-01	1	1	p. 5	9945-0816-16	37	13	p. 7
1134-2512-01	9	2	p. 5	9958-0820-16	5	3	p. 7
1134-2513-01	25	1	p. 5	9959-0816-16	2	3	p. 5
1134-2516-01	27	1	p. 3	9959-0816-16	29	2	p. 5
1134-2543-01	12	1	p. 3	9959-0820-16	10	1	p. 7
1134-2544-01	28	1	p. 3	9959-0830-16	45	6	p. 7
1134-2545-01	1	1	p. 3	9991-1024-19	46	3	p. 7
1134-2545-01	1	1	p. 3	9997-0620-16	17	1	p. 5
1134-2547-01	40	3	p. 7	9997-0820-16	10	1	p. 7
1134-2548-01	11	1	p. 3	9997-0825-16	15	1	p. 5
1134-2548-01	11	1	p. 3	9997-1035-16	4	2	p. 3
1134-2747-01	13	1	p. 5				
1134-2748-01	16	1	p. 5				
1134-2749-01	30	1	p. 5				
1134-2907-03	7	2	p. 5				
1134-3039-01	13	1	p. 5				
1134-3051-01	21	1	p. 5				
1134-3053-01	14	1	p. 7				
1134-3592-01	21	1	p. 5				
1134-3893-01	1	1	p. 3				
1134-3893-01	1	1	p. 3				
1134-3937-01	11	1	p. 3				
1134-3937-01	11	1	p. 3				
1134-9000-01	42	1	p. 7				
1134-9005-01	1	1	p. 7				
1134-9016-01	2	1	p. 7				
1134-9024-01	3	1	p. 3				
1134-9024-01	3	1	p. 3				
1134-9024-01	3	4	p. 3				
1134-9024-01	3	4	p. 3				
9402-3203-00	99	1	p. 3				
9402-3203-00	99	1	p. 3				
9402-3371-00	99	1	p. 3				