



Reservdelskatalog Parts Catalogue

PARK 110S

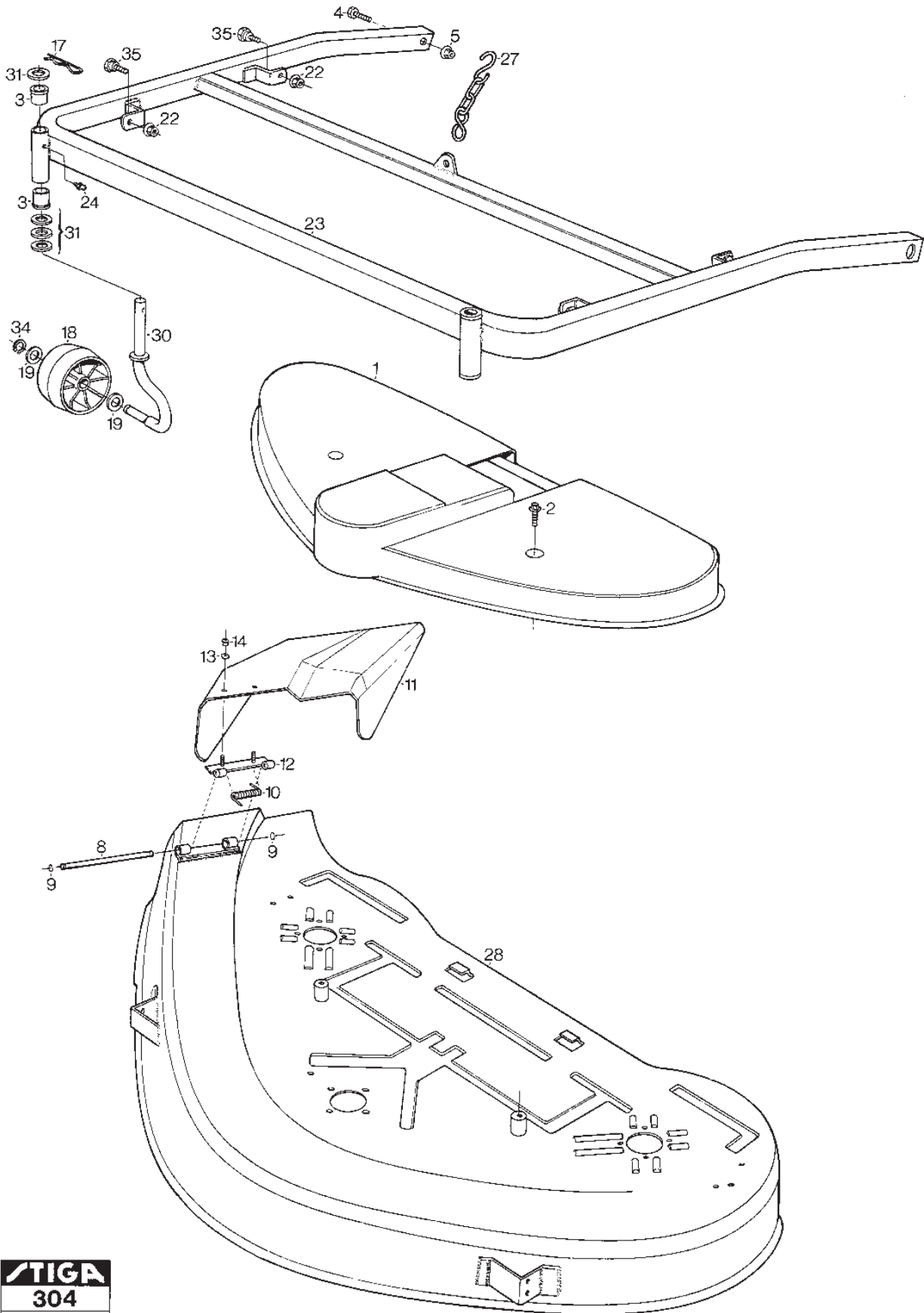
13-2917-22 - Season 1999

- Use GLOBAL GARDEN PRODUCT Genuine Spare Parts specified in the parts list for repair and/or replacement.
 - The contents described in the parts list may change due to improvement.
 - The drawings of the spare parts are only indicative and might not represent the part in question exactly.
 - The indications "right" - "left" - "front" - "rear" refer to the position of the operator when using the machine.
- When placing orders of parts for repair and/or replacement, make sure that the illustrated parts list is the one applying to the machine's year of manufacture, as shown on the identification plate attached to the machine.

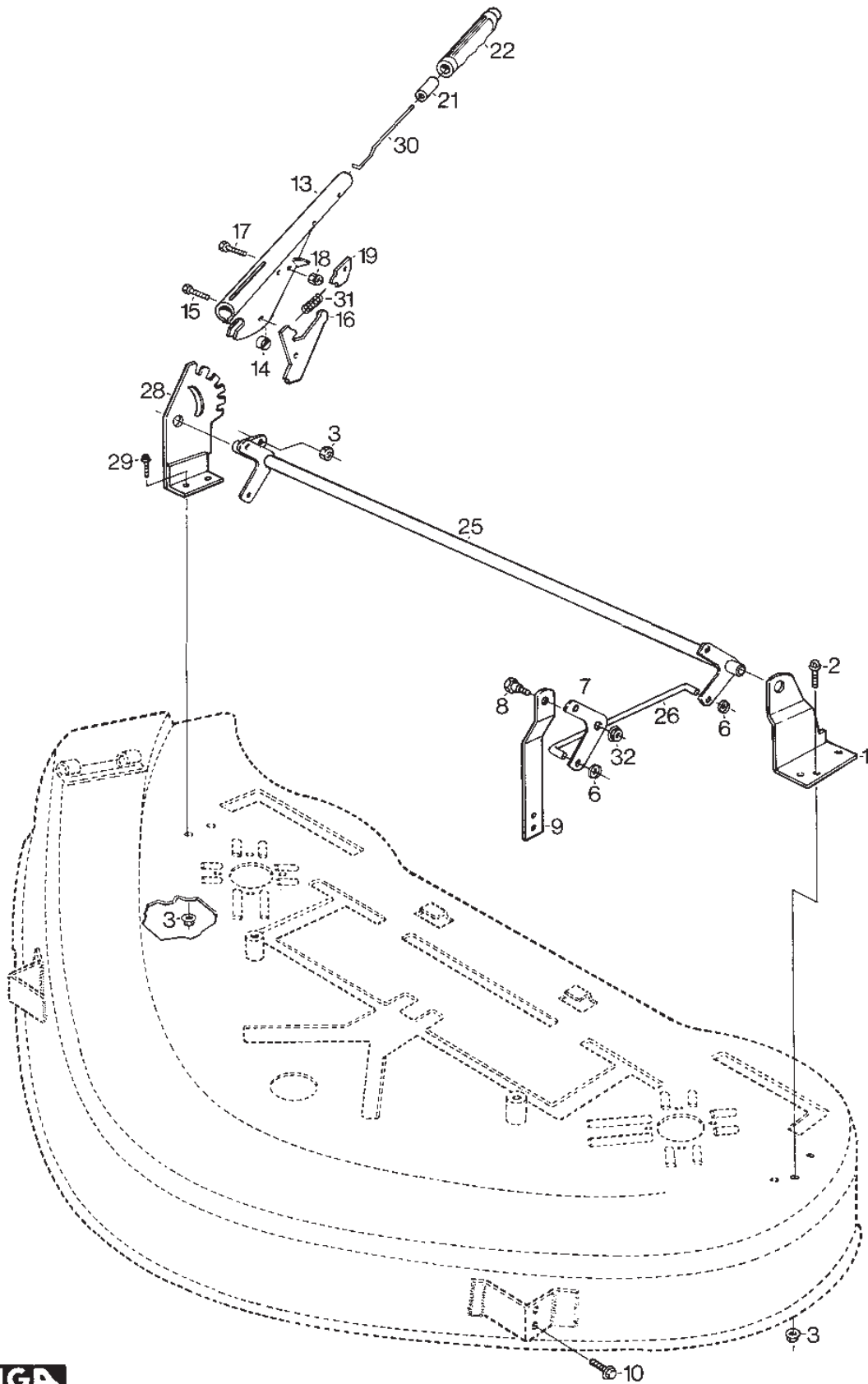
© Copyright 2014 Global Garden Products

All rights reserved. No part of this material may be reproduced or transmitted, in any form or by any means, electronic or mechanical, including photocopying, recording or by any information storage and retrieval system, without permission in writing from GLOBAL GARDEN PRODUCTS.

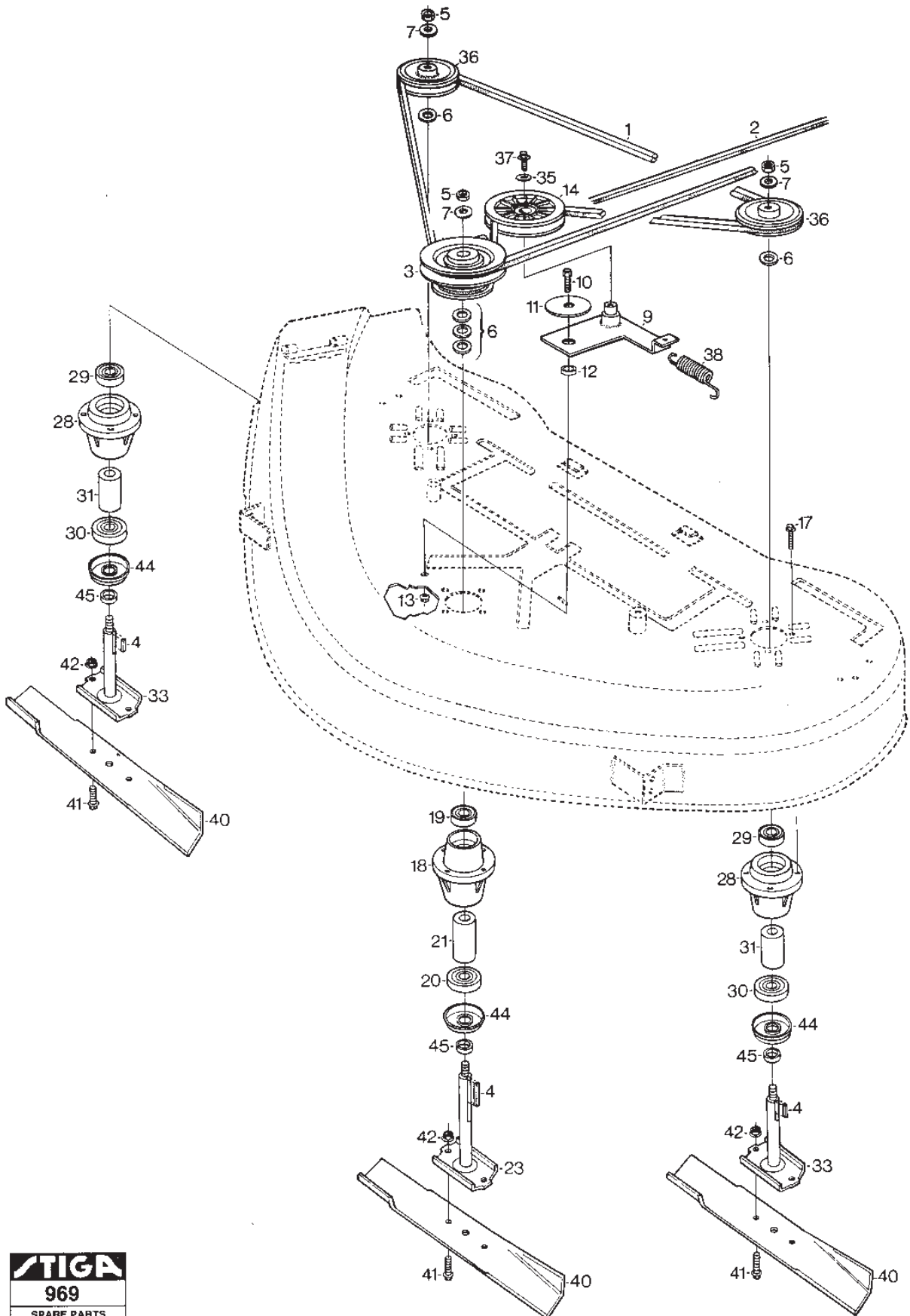
www.stiga.com



| Utgåva Issue 48 - 2014 | | Ram Frame | | | |
|------------------------------|-------------------|-------------------|------------------------------|-------------------------|---------------------|
| Pos. Fig. | Antal Quantity | Art nr Part No | Benämning | Description | Anmärkning Notes |
| 0 | 1 | 13-2917-14 | Klippaggregat kpl | Mowing unit assy | ANSI |
| 0 | 1 | 13-2917-12 | Klippaggregat kpl | Mower deck assy | |
| 0 | 1 | 13-2917-13 | Klippaggregat kpl | Mower deck assy | |
| 1 | 1 | 1134-3893-01 | Transmissionskapa5-01 | Transmission Cover | |
| 2 | 2 | 9945-0816-16 | Skruv | Screw | |
| 3 | 1 | 1134-9024-01 | Lager (4 St) | Bearing | Sats 4 st/kit of 4 |
| 4 | 2 | 9997-1035-16 | Skruv | Screw | |
| 5 | 2 | 9739-1031-22 | Mutter | Nut | |
| 8 | 1 | 1111-1648-01 | Stift | Pivot Pin | |
| 9 | 2 | 9652-0005-04 | Segersäkringsåkring Sga10 | Circlip | |
| 10 | 1 | 1111-1649-01 | Fjäder | Spring | |
| 11 | 1 | 1134-3937-01 | Utkastskärm | Discharge Deflector | |
| 12 | 1 | 1134-2543-01 | Gangjärnshalva | Link | |
| 13 | 2 | 9699-0060-02 | Bricka | Washer | |
| 14 | 2 | 9799-0631-02 | Mutter | Nut | |
| 17 | 2 | 9598-0003-02 | Harnålssprint (Hns 4 Dubbel) | Spring Pin | |
| 18 | 2 | 1134-2405-01 | Stödhjul | Casing Wheel | |
| 19 | 4 | 9699-0104-02 | Bricka | Washer | |
| 22 | 4 | 9747-0831-02 | Mutter Lasmutter | Nut | |
| 23 | 1 | 1134-2500-01 | Ram Kpl. | Frame | |
| 24 | 2 | 9501-0500-00 | Smörjkopp Kort Rak | Grease Dispenser | |
| 27 | 1 | 1134-2516-01 | Kedja | Chain | |
| 28 | 1 | 1134-2544-01 | Kapa Kpl. | Casing | |
| 30 | 2 | 1134-2509-01 | Hjulaxel | Wheel Axle | |
| 31 | 8 | 9699-0042-02 | Bricka | Washer | |
| 34 | 2 | 9650-0016-04 | Sparring Sga | Circlip | |
| 35 | 4 | 1134-0240-00 | Skruv | Screw | |
| 99 | 1 | 9402-3203-00 | Dekal | Warning Label W.Symbols | Ej ill/not ill. |
| 99 | 1 | 9402-3371-00 | Dekal | Warning Label Discharge | Ej ill/not ill. |
| 999 | 1 | 13-2917-16 | Klippaggregat kpl | Mowing unit assy | ANSI |



| Utgåva Issue 48 - 2014 | | Reglage | | Controls | |
|------------------------------|-------------------|-------------------|-------------------------|--------------------------|---------------------|
| Pos. Fig. | Antal Quantity | Art nr Part No | Benämning | Description | Anmärkning Notes |
| 1 | 1 | 1134-2511-01 | Fäste | Attachment | |
| 2 | 3 | 9959-0820-16 | Skruv | Screw | |
| 3 | 6 | 9739-0831-22 | Mutter | Nut | |
| 6 | 4 | 9675-0012-02 | Starlock | Locking washer | |
| 7 | 2 | 1134-2907-03 | Pivotplatta 5-01 24 | Pivoting Plate | |
| 8 | 2 | 1134-0240-00 | Skruv | Screw | |
| 9 | 2 | 1134-2512-01 | Fäste 24 | Attachment | |
| 10 | 4 | 9942-0816-16 | Skruv | Screw | |
| 10 | 4 | 9945-0816-16 | Skruv | Screw | |
| 13 | 1 | 1134-3039-01 | Höjdinställningsspak | Lever, Height Adjustment | |
| 14 | 1 | 1134-2427-01 | Distans | Spacer | |
| 15 | 1 | 9997-0825-16 | Skruv | Screw | |
| 16 | 1 | 1134-3010-01 | Lassegment | Locking Quadrant | |
| 17 | 1 | 9997-0620-16 | Skruv | Screw | |
| 18 | 1 | 9747-0631-02 | Mutter Lasmutter | Nut | |
| 19 | 1 | 1134-3009-01 | Laskil | Locking Key | |
| 21 | 1 | 1134-3051-01 | Lasratt | Locking Knob | |
| 22 | 1 | 9406-0006-00 | Handtag 01.100.026 Faca | Handle | |
| 25 | 1 | 1134-2513-01 | Parallellaxel Kpl | Shaft | |
| 26 | 2 | 1134-1833-02 | Stag För Höjdinst | Rod | |
| 28 | 1 | 1134-3630-01 | Höjdsegment | Height Adjusting Plate | |
| 29 | 2 | 9959-0820-16 | Skruv | Screw | |
| 30 | 1 | 1134-3041-01 | Reglagestang | Control Rod | |
| 31 | 1 | 1134-3262-01 | Fjäder | Spring | |
| 32 | 2 | 9747-0831-02 | Mutter Lasmutter | Nut | |



| Utgåva Issue 48 - 2014 | | Knivar Mower Deck 110S Blades | | | |
|------------------------------|-------------------|----------------------------------|-----------------------|------------------|---------------------|
| Pos. Fig. | Antal Quantity | Art nr Part No | Benämning | Description | Anmärkning Notes |
| 1 | 1 | 1134-9005-01 | Kilrem | V-Belt | = 9585-0106-00 |
| 2 | 1 | 1134-9016-01 | Kilrem | V-Belt | = 9585-0066-00 |
| 3 | 1 | 1134-2430-01 | Remskiva | Belt Pulley | |
| 4 | 3 | 9600-0150-01 | Plattkil | Key | |
| 5 | 3 | 9747-1031-02 | Mutter Lasmutter | Nut | |
| 6 | 5 | 9699-0104-02 | Bricka | Washer | |
| 7 | 3 | 9699-0030-02 | Bricka | Washer | |
| 9 | 1 | 1134-0325-02 | Spännarm | Tensioning Arm | |
| 10 | 1 | 9959-0820-16 | Skruv | Screw | |
| 11 | 1 | 9699-0109-02 | Bricka | Washer | |
| 12 | 1 | 1131-1684-00 | Distans | Spacer | |
| 13 | 1 | 9739-0831-22 | Mutter | Nut | |
| 14 | 1 | 1134-3053-01 | Spännrulle | Tension Roller | |
| 17 | 12 | 9945-0825-16 | Skruv | Screw | |
| 18 | 1 | 1134-3841-02 | Lagerbox Kpl (Mittre) | Bearing Box Assy | |
| 19 | 1 | 9549-0019-00 | Kullager | Ball Bearing | |
| 20 | 1 | 9549-0020-00 | Kullager | Ball Bearing | |
| 21 | 1 | 1134-0051-06 | Distans | Spacer | |
| 23 | 1 | 1134-3767-01 | Knivaxel | Blade Shaft | |
| 28 | 2 | 1134-3841-01 | Lagerbox Kpl. | Bearing Box Assy | |
| 29 | 1 | 9549-0019-00 | Kullager | Ball Bearing | |
| 30 | 1 | 9549-0020-00 | Kullager | Ball Bearing | |
| 31 | 1 | 1134-0051-05 | Distans | Spacer | |
| 33 | 2 | 1134-3767-03 | Knivaxel | Blade Shaft | |
| 35 | 1 | 9699-0056-02 | Bricka | Washer | |
| 36 | 2 | 1134-1285-01 | Remskiva | Belt Pulley | |
| 37 | 1 | 9945-0816-16 | Skruv | Screw | |
| 38 | 1 | 1134-0327-00 | Fjäder | Spring | |
| 40 | 3 | 1134-2547-01 | Kniv | Blade | |
| 41 | 6 | 9997-0820-16 | Skruv | Screw | |
| 42 | 6 | 9747-0831-02 | Mutter Lasmutter | Nut | |
| 44 | 3 | 1134-3768-01 | Skyddsbricka | Bearing Cover | |
| 45 | 3 | 1134-3725-03 | Distans | Spacer | |

| code | pos. | q.ty | page | | | | |
|--------------|------|------|------|--------------|----|----|------|
| 13-2917-12 | 0 | 1 | p. 3 | 9699-0109-02 | 11 | 1 | p. 7 |
| 13-2917-13 | 0 | 1 | p. 3 | 9739-0831-22 | 3 | 6 | p. 5 |
| 13-2917-14 | 0 | 1 | p. 3 | 9739-0831-22 | 13 | 1 | p. 7 |
| 13-2917-16 | 999 | 1 | p. 3 | 9739-1031-22 | 5 | 2 | p. 3 |
| 1111-1648-01 | 8 | 1 | p. 3 | 9747-0631-02 | 18 | 1 | p. 5 |
| 1111-1649-01 | 10 | 1 | p. 3 | 9747-0831-02 | 22 | 4 | p. 3 |
| 1131-1684-00 | 12 | 1 | p. 7 | 9747-0831-02 | 32 | 2 | p. 5 |
| 1134-0051-05 | 31 | 1 | p. 7 | 9747-0831-02 | 42 | 6 | p. 7 |
| 1134-0051-06 | 21 | 1 | p. 7 | 9747-1031-02 | 5 | 3 | p. 7 |
| 1134-0240-00 | 8 | 2 | p. 5 | 9799-0631-02 | 14 | 2 | p. 3 |
| 1134-0240-00 | 35 | 4 | p. 3 | 9942-0816-16 | 10 | 4 | p. 5 |
| 1134-0325-02 | 9 | 1 | p. 7 | 9945-0816-16 | 2 | 2 | p. 3 |
| 1134-0327-00 | 38 | 1 | p. 7 | 9945-0816-16 | 10 | 4 | p. 5 |
| 1134-1285-01 | 36 | 2 | p. 7 | 9945-0816-16 | 37 | 1 | p. 7 |
| 1134-1833-02 | 26 | 2 | p. 5 | 9945-0825-16 | 17 | 12 | p. 7 |
| 1134-2405-01 | 18 | 2 | p. 3 | 9959-0820-16 | 2 | 3 | p. 5 |
| 1134-2427-01 | 14 | 1 | p. 5 | 9959-0820-16 | 10 | 1 | p. 7 |
| 1134-2430-01 | 3 | 1 | p. 7 | 9959-0820-16 | 29 | 2 | p. 5 |
| 1134-2500-01 | 23 | 1 | p. 3 | 9997-0620-16 | 17 | 1 | p. 5 |
| 1134-2509-01 | 30 | 2 | p. 3 | 9997-0820-16 | 41 | 6 | p. 7 |
| 1134-2511-01 | 1 | 1 | p. 5 | 9997-0825-16 | 15 | 1 | p. 5 |
| 1134-2512-01 | 9 | 2 | p. 5 | 9997-1035-16 | 4 | 2 | p. 3 |
| 1134-2513-01 | 25 | 1 | p. 5 | | | | |
| 1134-2516-01 | 27 | 1 | p. 3 | | | | |
| 1134-2543-01 | 12 | 1 | p. 3 | | | | |
| 1134-2544-01 | 28 | 1 | p. 3 | | | | |
| 1134-2547-01 | 40 | 3 | p. 7 | | | | |
| 1134-2907-03 | 7 | 2 | p. 5 | | | | |
| 1134-3009-01 | 19 | 1 | p. 5 | | | | |
| 1134-3010-01 | 16 | 1 | p. 5 | | | | |
| 1134-3039-01 | 13 | 1 | p. 5 | | | | |
| 1134-3041-01 | 30 | 1 | p. 5 | | | | |
| 1134-3051-01 | 21 | 1 | p. 5 | | | | |
| 1134-3053-01 | 14 | 1 | p. 7 | | | | |
| 1134-3262-01 | 31 | 1 | p. 5 | | | | |
| 1134-3630-01 | 28 | 1 | p. 5 | | | | |
| 1134-3725-03 | 45 | 3 | p. 7 | | | | |
| 1134-3767-01 | 23 | 1 | p. 7 | | | | |
| 1134-3767-03 | 33 | 2 | p. 7 | | | | |
| 1134-3768-01 | 44 | 3 | p. 7 | | | | |
| 1134-3841-01 | 28 | 2 | p. 7 | | | | |
| 1134-3841-02 | 18 | 1 | p. 7 | | | | |
| 1134-3893-01 | 1 | 1 | p. 3 | | | | |
| 1134-3937-01 | 11 | 1 | p. 3 | | | | |
| 1134-9005-01 | 1 | 1 | p. 7 | | | | |
| 1134-9016-01 | 2 | 1 | p. 7 | | | | |
| 1134-9024-01 | 3 | 1 | p. 3 | | | | |
| 9402-3203-00 | 99 | 1 | p. 3 | | | | |
| 9402-3371-00 | 99 | 1 | p. 3 | | | | |
| 9406-0006-00 | 22 | 1 | p. 5 | | | | |
| 9501-0500-00 | 24 | 2 | p. 3 | | | | |
| 9549-0019-00 | 19 | 1 | p. 7 | | | | |
| 9549-0019-00 | 29 | 1 | p. 7 | | | | |
| 9549-0020-00 | 20 | 1 | p. 7 | | | | |
| 9549-0020-00 | 30 | 1 | p. 7 | | | | |
| 9598-0003-02 | 17 | 2 | p. 3 | | | | |
| 9600-0150-01 | 4 | 3 | p. 7 | | | | |
| 9650-0016-04 | 34 | 2 | p. 3 | | | | |
| 9652-0005-04 | 9 | 2 | p. 3 | | | | |
| 9675-0012-02 | 6 | 4 | p. 5 | | | | |
| 9699-0030-02 | 7 | 3 | p. 7 | | | | |
| 9699-0042-02 | 31 | 8 | p. 3 | | | | |
| 9699-0056-02 | 35 | 1 | p. 7 | | | | |
| 9699-0060-02 | 13 | 2 | p. 3 | | | | |
| 9699-0104-02 | 6 | 5 | p. 7 | | | | |
| 9699-0104-02 | 19 | 4 | p. 3 | | | | |