



## **Reservdelskatalog Parts Catalogue**

# **PARK 110S**

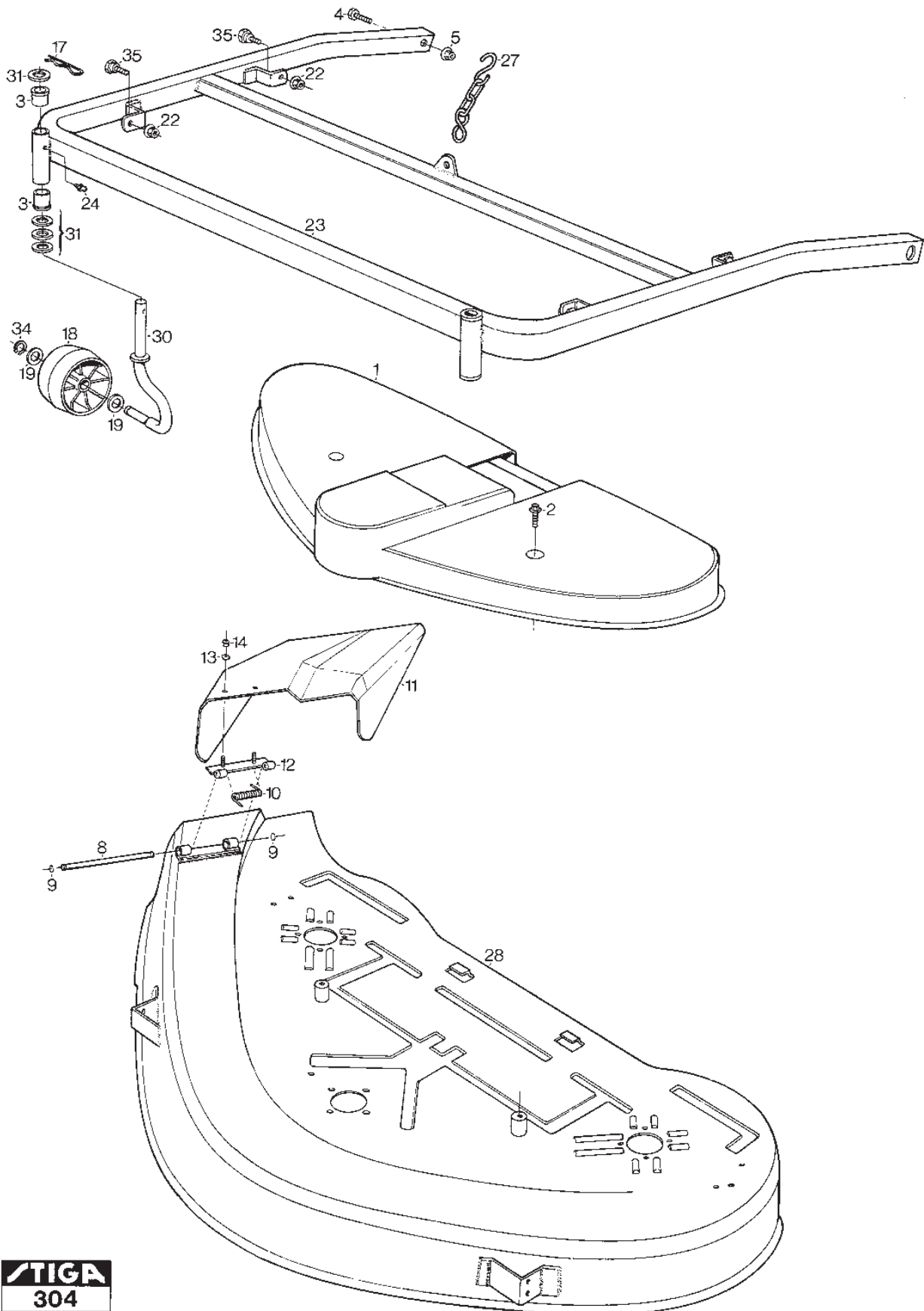
**13-2917-23 - Season 2000**

- Use GLOBAL GARDEN PRODUCT Genuine Spare Parts specified in the parts list for repair and/or replacement.
  - The contents described in the parts list may change due to improvement.
  - The drawings of the spare parts are only indicative and might not represent the part in question exactly.
  - The indications "right" - "left" - "front" - "rear" refer to the position of the operator when using the machine.
- When placing orders of parts for repair and/or replacement, make sure that the illustrated parts list is the one applying to the machine's year of manufacture, as shown on the identification plate attached to the machine.

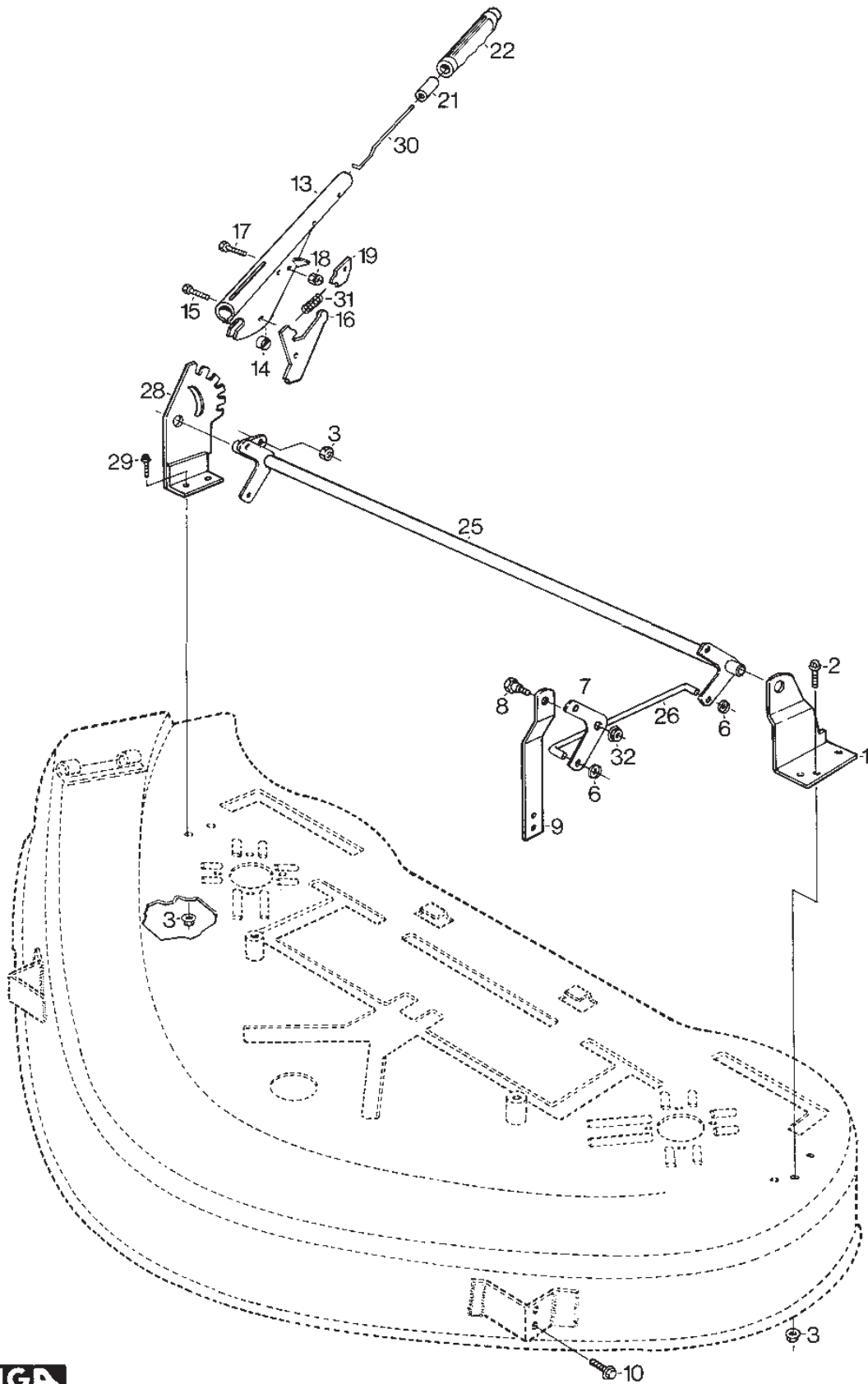
© Copyright 2014 Global Garden Products

All rights reserved. No part of this material may be reproduced or transmitted, in any form or by any means, electronic or mechanical, including photocopying, recording or by any information storage and retrieval system, without permission in writing from GLOBAL GARDEN PRODUCTS.

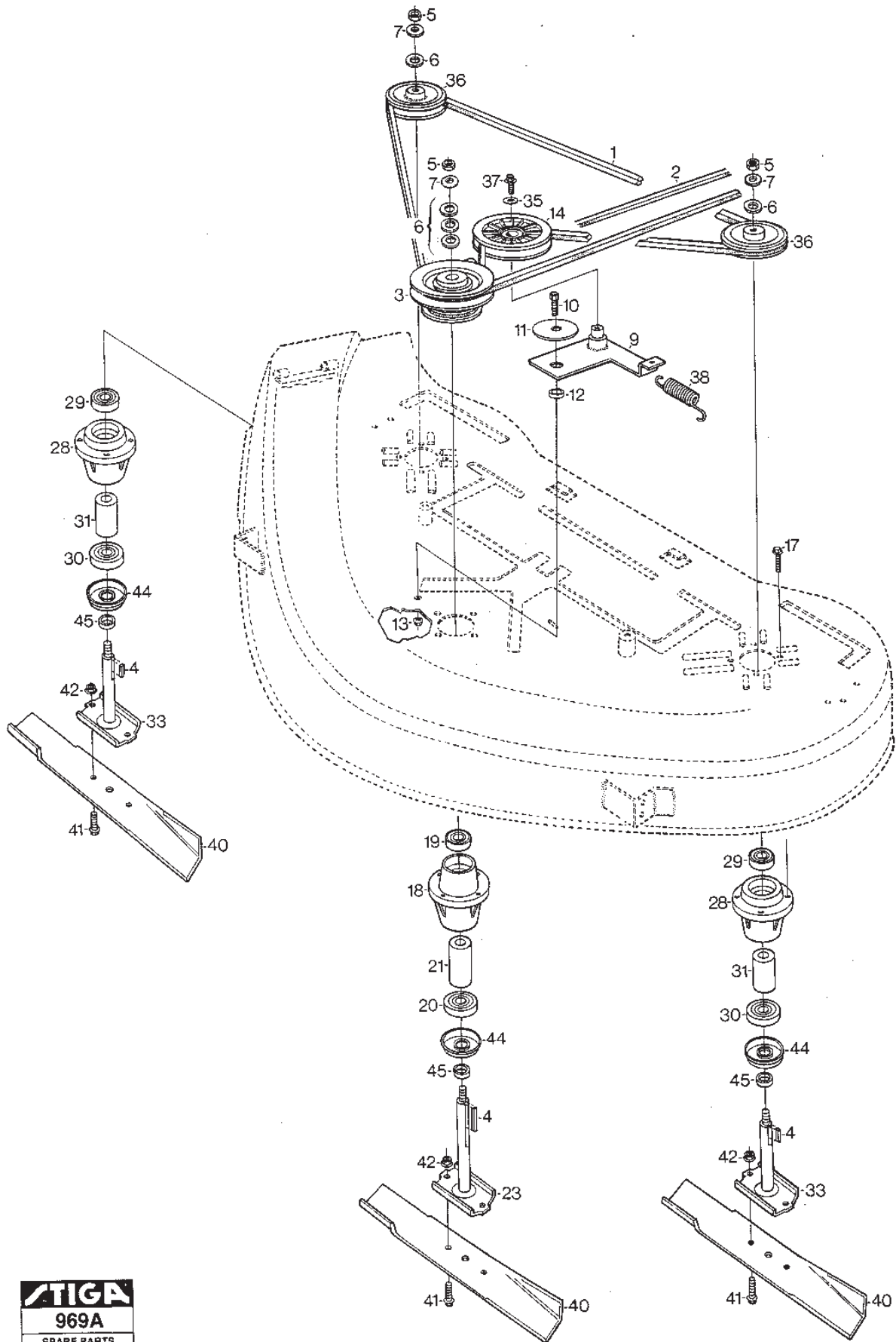
[www.stiga.com](http://www.stiga.com)



Utgåva Issue 48 - 2014		Ram Frame			
Pos. Fig.	Antal Quantity	Art nr Part No	Benämning	Description	Anmärkning Notes
0	1	13-2917-14	Klippaggregat kpl	Mowing unit assy	ANSI
0	1	13-2917-12	Klippaggregat kpl	Mower deck assy	
0	1	13-2917-13	Klippaggregat kpl	Mower deck assy	
1	1	1134-3893-01	Transmissionskapa5-01	Transmission Cover	
2	2	9945-0816-16	Skruv	Screw	
3	1	1134-9024-01	Lager (4 St)	Bearing	Sats 4 st/kit of 4
4	2	9997-1035-16	Skruv	Screw	
5	2	9739-1031-22	Mutter	Nut	
8	1	1111-1648-01	Stift	Pivot Pin	
9	2	9652-0005-04	Segersäkringsåkring Sga10	Circlip	
10	1	1111-1649-01	Fjäder	Spring	
11	1	1134-3937-01	Utkastskärm	Discharge Deflector	
12	1	1134-2543-01	Gangjärnshalva	Link	
13	2	9699-0060-02	Bricka	Washer	
14	2	9799-0631-02	Mutter	Nut	
17	2	9598-0003-02	Harnålssprint (Hns 4 Dubbel)	Spring Pin	
18	2	1134-2405-01	Stödhjul	Casing Wheel	
19	4	9699-0104-02	Bricka	Washer	
22	4	9747-0831-02	Mutter   Lasmutter	Nut	
23	1	1134-2500-01	Ram Kpl.	Frame	
24	2	9501-0500-00	Smörjkopp Kort Rak	Grease Dispenser	
27	1	1134-2516-01	Kedja	Chain	
28	1	1134-2544-01	Kapa Kpl.	Casing	
30	2	1134-2509-01	Hjulaxel	Wheel Axle	
31	8	9699-0042-02	Bricka	Washer	
34	2	9650-0016-04	Sparring Sga	Circlip	
35	4	1134-0240-00	Skruv	Screw	
99	1	9402-3203-00	Dekal	Warning Label W.Symbols	Ej ill/not ill.
99	1	9402-3371-00	Dekal	Warning Label Discharge	Ej ill/not ill.
999	1	13-2917-16	Klippaggregat kpl	Mowing unit assy	ANSI



Utgåva Issue 48 - 2014		Reglage Controls			
Pos. Fig.	Antal Quantity	Art nr Part No	Benämning	Description	Anmärkning Notes
1	1	1134-2511-01	Fäste	Attachment	
2	3	9959-0820-16	Skruv	Screw	
3	6	9739-0831-22	Mutter	Nut	
6	4	9675-0012-02	Starlock	Locking washer	
7	2	1134-2907-03	Pivotplatta 5-01 24	Pivoting Plate	
8	2	1134-0240-00	Skruv	Screw	
9	2	1134-2512-01	Fäste 24	Attachment	
10	4	9942-0816-16	Skruv	Screw	
10	4	9945-0816-16	Skruv	Screw	
13	1	1134-3039-01	Höjdinställningsspak	Lever, Height Adjustment	
14	1	1134-2427-01	Distans	Spacer	
15	1	9997-0825-16	Skruv	Screw	
16	1	1134-3010-01	Lassegment	Locking Quadrant	
17	1	9997-0620-16	Skruv	Screw	
18	1	9747-0631-02	Mutter   Lasmutter	Nut	
19	1	1134-3009-01	Laskil	Locking Key	
21	1	1134-3051-01	Lasratt	Locking Knob	
22	1	9406-0006-00	Handtag 01.100.026 Faca	Handle	
25	1	1134-2513-01	Parallellaxel Kpl	Shaft	
26	2	1134-1833-02	Stag För Höjdinst	Rod	
28	1	1134-3630-01	Höjdsegment	Height Adjusting Plate	
29	2	9959-0820-16	Skruv	Screw	
30	1	1134-3041-01	Reglagestang	Control Rod	
31	1	1134-3262-01	Fjäder	Spring	
32	2	9747-0831-02	Mutter   Lasmutter	Nut	



Utgåva Issue 48 - 2014		Knivar Mower Deck 110S Blades			
Pos. Fig.	Antal Quantity	Art nr Part No	Benämning	Description	Anmärkning Notes
1	1	1134-9005-01	Kilrem	V-Belt	= 9585-0106-00
2	1	1134-9016-01	Kilrem	V-Belt	= 9585-0066-00
3	1	1134-2430-01	Remskiva	Belt Pulley	
4	3	9600-0150-01	Plattkil	Key	
5	3	9747-1031-02	Mutter   Lasmutter	Nut	
6	5	9699-0104-02	Bricka	Washer	
7	3	9699-0030-02	Bricka	Washer	
9	1	1134-0325-02	Spännarm	Tensioning Arm	
10	1	9959-0820-16	Skruv	Screw	
11	1	9699-0109-02	Bricka	Washer	
12	1	1131-1684-00	Distans	Spacer	
13	1	9739-0831-22	Mutter	Nut	
14	1	1134-3053-01	Spännrulle	Tension Roller	
17	12	9945-0825-16	Skruv	Screw	
18	1	1134-3841-02	Lagerbox Kpl (Mittre)	Bearing Box Assy	
19	1	9549-0019-00	Kullager	Ball Bearing	
20	1	9549-0020-00	Kullager	Ball Bearing	
21	1	1134-0051-06	Distans	Spacer	
23	1	1134-3767-01	Knivaxel	Blade Shaft	
28	2	1134-3841-01	Lagerbox Kpl.	Bearing Box Assy	
29	1	9549-0019-00	Kullager	Ball Bearing	
30	1	9549-0020-00	Kullager	Ball Bearing	
31	1	1134-0051-05	Distans	Spacer	
33	2	1134-3767-03	Knivaxel	Blade Shaft	
35	1	9699-0056-02	Bricka	Washer	
36	2	1134-1285-01	Remskiva	Belt Pulley	
37	1	9945-0816-16	Skruv	Screw	
38	1	1134-0327-00	Fjäder	Spring	
40	3	1134-2547-01	Kniv	Blade	
41	6	9997-0820-16	Skruv	Screw	
42	6	9747-0831-02	Mutter   Lasmutter	Nut	
44	3	1134-3768-01	Skyddsbricka	Bearing Cover	
45	3	1134-3725-03	Distans	Spacer	

code	pos.	q.ty	page				
13-2917-12	0	1	p. 3	9699-0109-02	11	1	p. 7
13-2917-13	0	1	p. 3	9739-0831-22	3	6	p. 5
13-2917-14	0	1	p. 3	9739-0831-22	13	1	p. 7
13-2917-16	999	1	p. 3	9739-1031-22	5	2	p. 3
1111-1648-01	8	1	p. 3	9747-0631-02	18	1	p. 5
1111-1649-01	10	1	p. 3	9747-0831-02	22	4	p. 3
1131-1684-00	12	1	p. 7	9747-0831-02	32	2	p. 5
1134-0051-05	31	1	p. 7	9747-0831-02	42	6	p. 7
1134-0051-06	21	1	p. 7	9747-1031-02	5	3	p. 7
1134-0240-00	8	2	p. 5	9799-0631-02	14	2	p. 3
1134-0240-00	35	4	p. 3	9942-0816-16	10	4	p. 5
1134-0325-02	9	1	p. 7	9945-0816-16	2	2	p. 3
1134-0327-00	38	1	p. 7	9945-0816-16	10	4	p. 5
1134-1285-01	36	2	p. 7	9945-0816-16	37	1	p. 7
1134-1833-02	26	2	p. 5	9945-0825-16	17	12	p. 7
1134-2405-01	18	2	p. 3	9959-0820-16	2	3	p. 5
1134-2427-01	14	1	p. 5	9959-0820-16	10	1	p. 7
1134-2430-01	3	1	p. 7	9959-0820-16	29	2	p. 5
1134-2500-01	23	1	p. 3	9997-0620-16	17	1	p. 5
1134-2509-01	30	2	p. 3	9997-0820-16	41	6	p. 7
1134-2511-01	1	1	p. 5	9997-0825-16	15	1	p. 5
1134-2512-01	9	2	p. 5	9997-1035-16	4	2	p. 3
1134-2513-01	25	1	p. 5				
1134-2516-01	27	1	p. 3				
1134-2543-01	12	1	p. 3				
1134-2544-01	28	1	p. 3				
1134-2547-01	40	3	p. 7				
1134-2907-03	7	2	p. 5				
1134-3009-01	19	1	p. 5				
1134-3010-01	16	1	p. 5				
1134-3039-01	13	1	p. 5				
1134-3041-01	30	1	p. 5				
1134-3051-01	21	1	p. 5				
1134-3053-01	14	1	p. 7				
1134-3262-01	31	1	p. 5				
1134-3630-01	28	1	p. 5				
1134-3725-03	45	3	p. 7				
1134-3767-01	23	1	p. 7				
1134-3767-03	33	2	p. 7				
1134-3768-01	44	3	p. 7				
1134-3841-01	28	2	p. 7				
1134-3841-02	18	1	p. 7				
1134-3893-01	1	1	p. 3				
1134-3937-01	11	1	p. 3				
1134-9005-01	1	1	p. 7				
1134-9016-01	2	1	p. 7				
1134-9024-01	3	1	p. 3				
9402-3203-00	99	1	p. 3				
9402-3371-00	99	1	p. 3				
9406-0006-00	22	1	p. 5				
9501-0500-00	24	2	p. 3				
9549-0019-00	19	1	p. 7				
9549-0019-00	29	1	p. 7				
9549-0020-00	20	1	p. 7				
9549-0020-00	30	1	p. 7				
9598-0003-02	17	2	p. 3				
9600-0150-01	4	3	p. 7				
9650-0016-04	34	2	p. 3				
9652-0005-04	9	2	p. 3				
9675-0012-02	6	4	p. 5				
9699-0030-02	7	3	p. 7				
9699-0042-02	31	8	p. 3				
9699-0056-02	35	1	p. 7				
9699-0060-02	13	2	p. 3				
9699-0104-02	6	5	p. 7				
9699-0104-02	19	4	p. 3				