



Reservdelskatalog Parts Catalogue

PARK 11

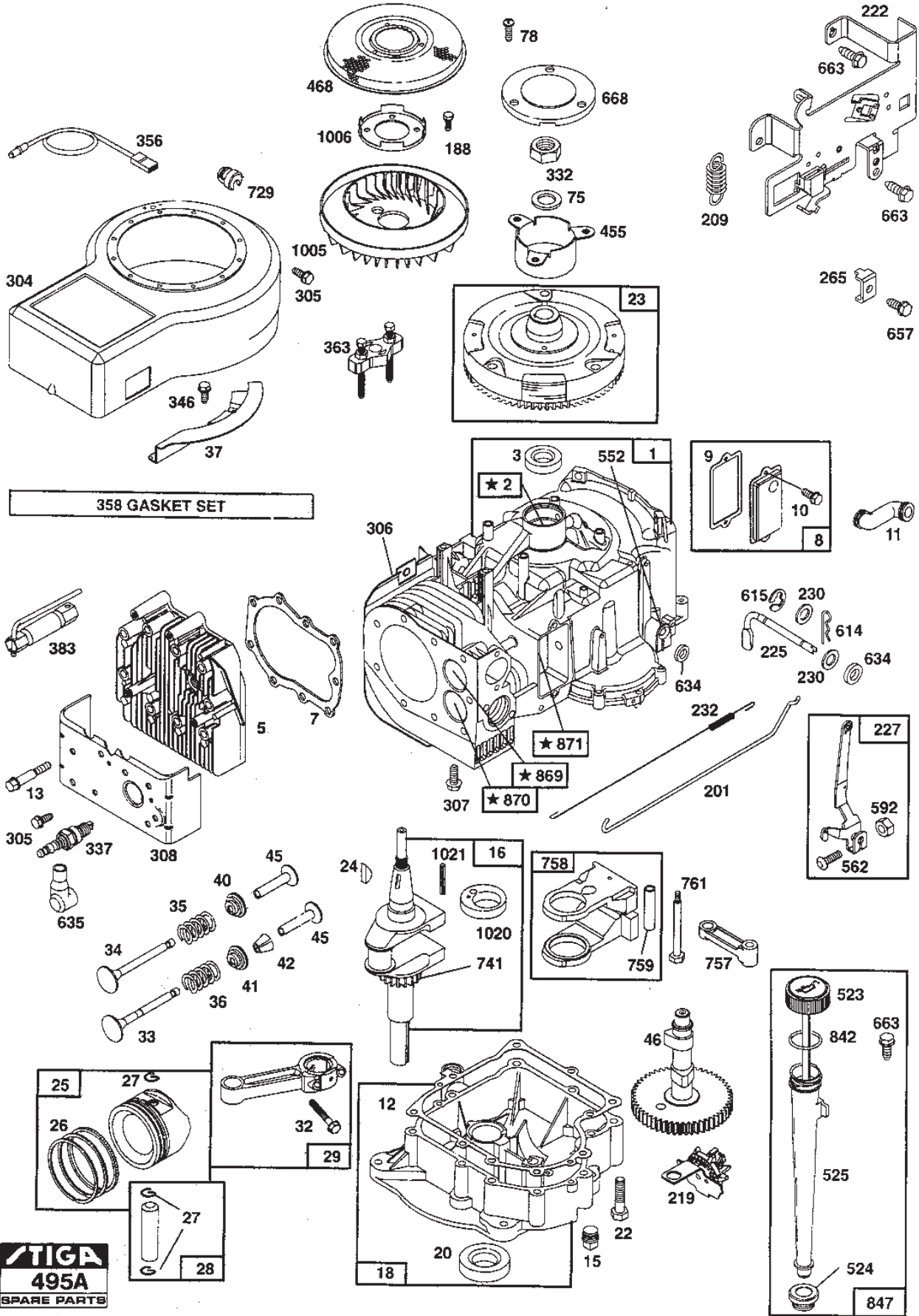
13-1158-17 - Season 1994

- Use GLOBAL GARDEN PRODUCT Genuine Spare Parts specified in the parts list for repair and/or replacement.
 - The contents described in the parts list may change due to improvement.
 - The drawings of the spare parts are only indicative and might not represent the part in question exactly.
 - The indications "right" - "left" - "front" - "rear" refer to the position of the operator when using the machine.
- When placing orders of parts for repair and/or replacement, make sure that the illustrated parts list is the one applying to the machine's year of manufacture, as shown on the identification plate attached to the machine.

© Copyright 2014 Global Garden Products

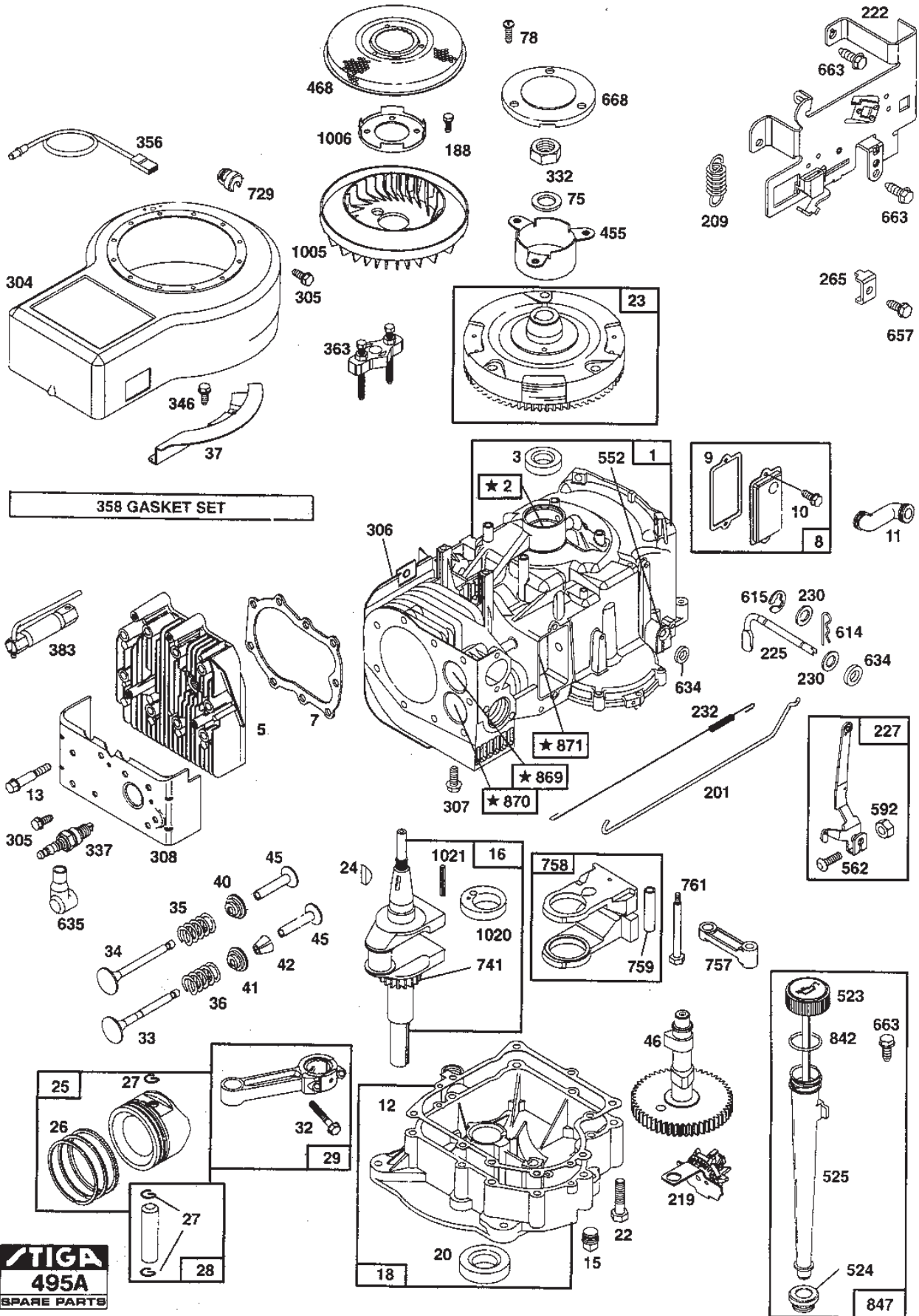
All rights reserved. No part of this material may be reproduced or transmitted, in any form or by any means, electronic or mechanical, including photocopying, recording or by any information storage and retrieval system, without permission in writing from GLOBAL GARDEN PRODUCTS.

www.stiga.com



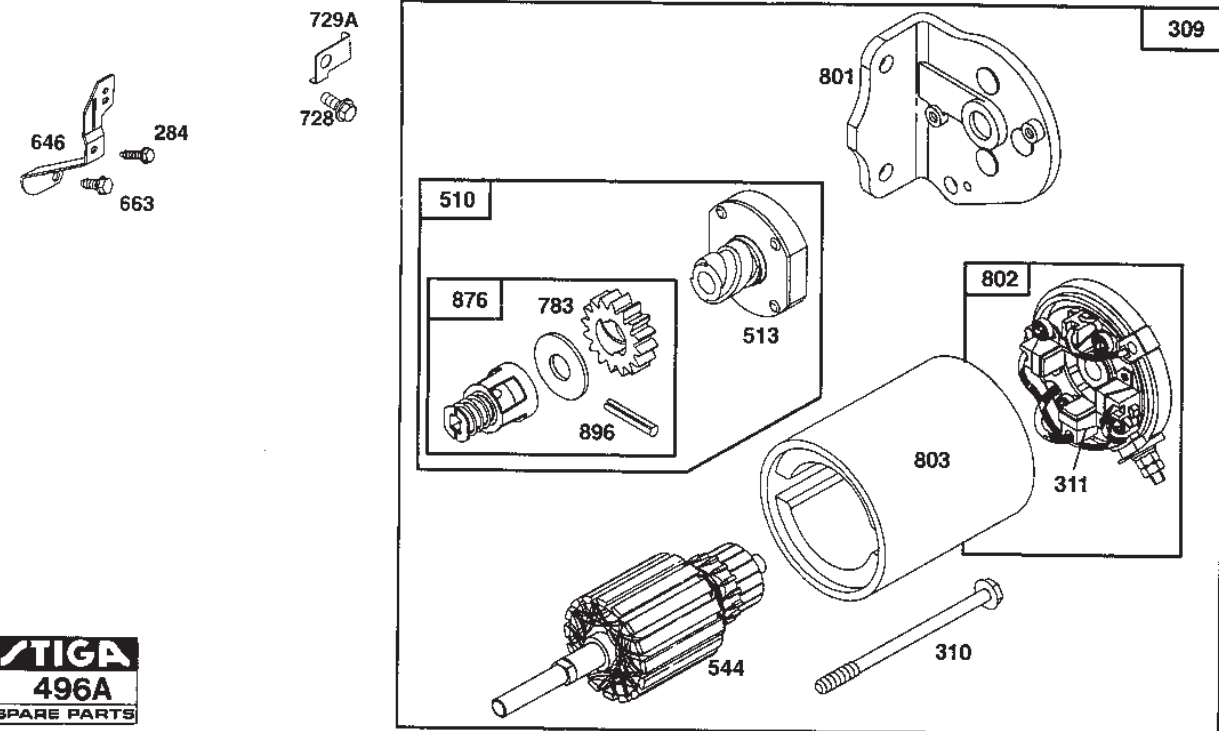
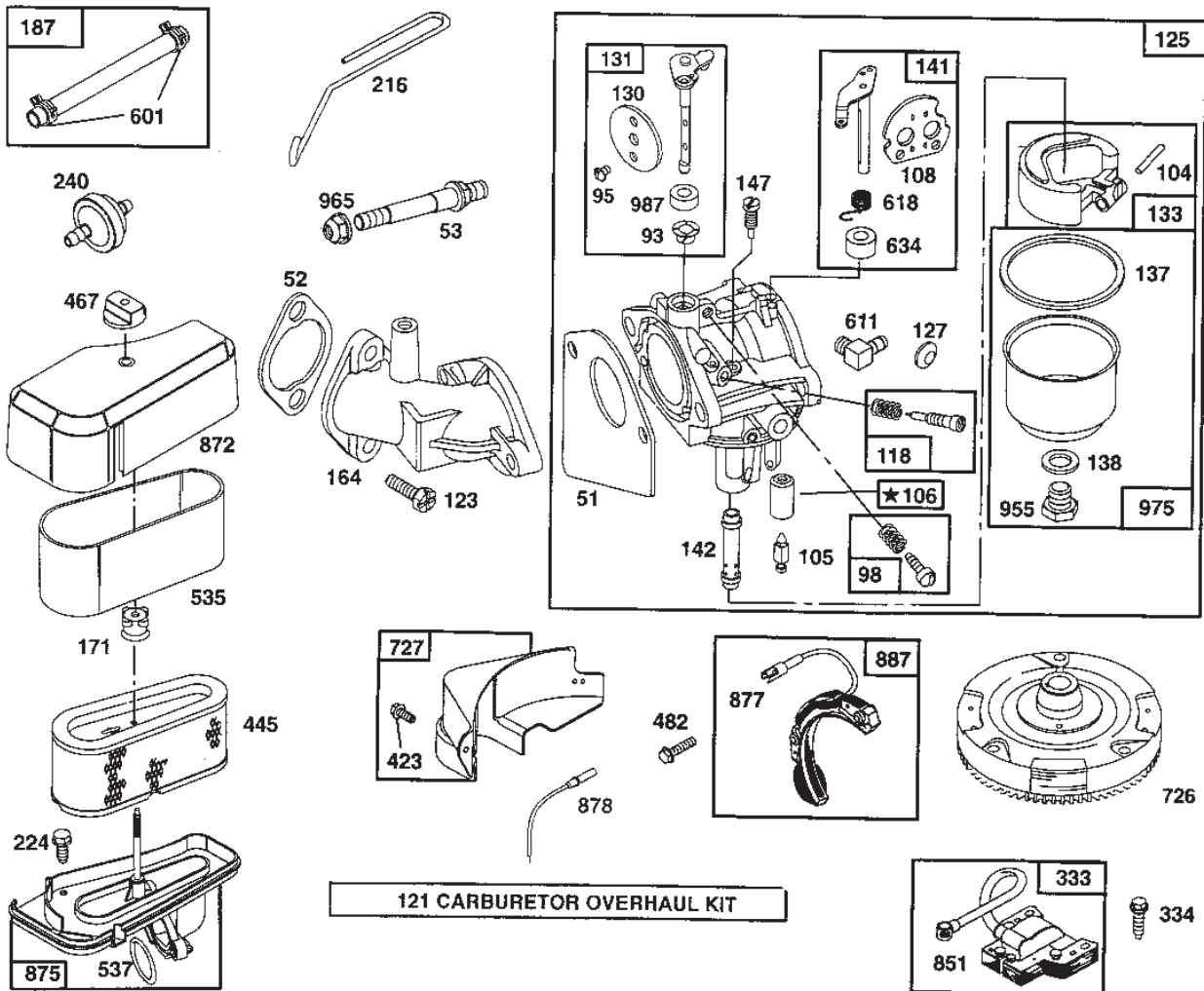
STIGA
495A
SPARE PARTS

Utgåva Issue 41 - 2014		Cylinder Vevhus	Cylinder Crankcase		
Pos. Fig.	Antal Quantity	Art nr Part No	Benämning	Description	Anmärkning Notes
1	1	496413	Cylinder	Cylinder	
2	1	399265	Bussning	Bushing	
3	1	391086	Tätningring	Seal	
5	1	494240	Topplöck	Cylinder Head	
7	1	271866	Packning	Gasket	
8	1	495735	Vevhusventilation	Breather	
9	1	27803	Packning	Gasket	
10	2	94621	Skruv	Screw	
11	1	281246	Rör	Tube	
12	1	271916	Packning	Gasket	
13	9	94622	Skruv	Screw	
15	1	94239	Oil drain plug	Oil drain plug	
16	1	495162	Crankshaft	Crankshaft	
18	1	494238	Vevhus	Oil sump	
20	1	291675	Tätningring	Oil seal Oil Seal	
22	6	94624	Skruv	Screw	
23	1	492326	Flywheel	Flywheel	
24	1	222698	Kil	Key	
25	1	394661	Kolv kpl	Piston Assy	
26	1	391780	Ring set	Ring set	
27	2	260924	Låsring	Lock	
28	1	299691	Kolvspind	Piston Pin	
29	1	490348	Vevstake kpl	Connecting rod assy	
32	2	94671	Skruv	Screw	
33	1	262246	Utblåsningsventil	Exhaust valve	
34	1	262247	Insugningsventil	Intake valve	
35	1	65906	Ventilfjäder-insug	Valve spring-intake	
36	1	26828	Ventilfjäder-utblås	Valve spring-exhaust	
37	1	224502	Guard	Guard	
40	1	221596	Hållare	Retainer	
41	1	292260	Rotator	Rotocoil	
42	2	494553	Retainer	Retainer	
45	2	262248	Ventilyftare	Valve tappet	
46	1	212897	Kamaxel	Camshaft	
75	1	224061	Bricka	Washer	
78	3	94626	Skruv	Screw	
188	3	94627	Skruv	Screw	
201	1	262767	Governor link	Governor link	
209	1	262784	Fjäder	Spring	
219	1	490815	Oljekastardrev	Oil slinger gear	
222	1	495611	Governor plate	Governor plate	
225	1	231058	Regulatoraxel	Governor crank	
227	1	493935	Arm	Lever	
230	1	94742	Bricka	Washer	
232	1	262785	Fjäder	Spring	
265	1	221535	Klämma	Clamp	
304	1	496318	Blower housing	Blower housing	
305	4	94786	Skruv	Screw	
306	1	224545	Shield	Shield	



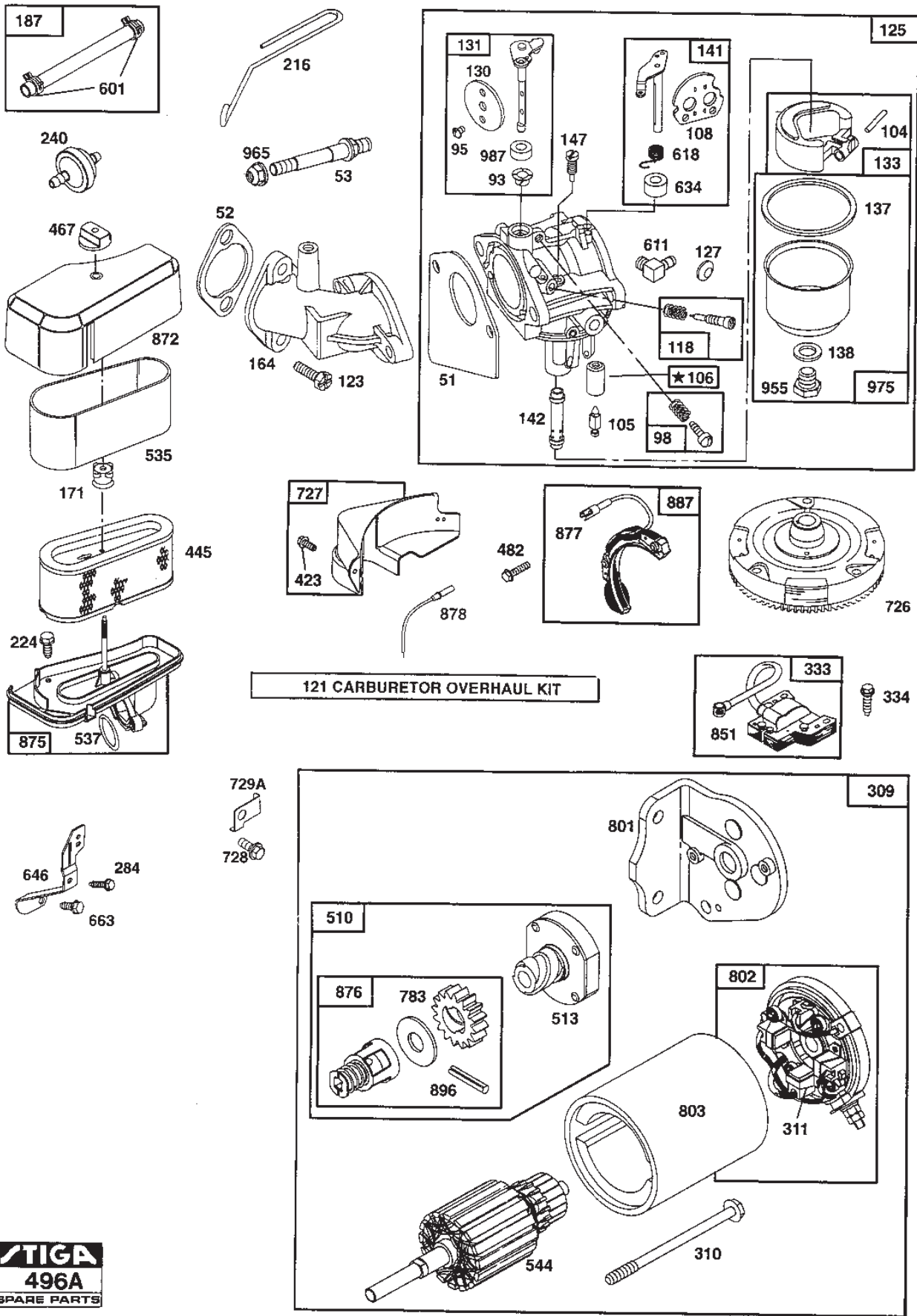
STIGA
495A
SPARE PARTS

Utgåva Issue 41 - 2014		Cylinder Vevhus	Cylinder Crankcase		
Pos. Fig.	Antal Quantity	Art nr Part No	Benämning	Description	Anmärkning Notes
307	1	94623	Skruv	Screw	
308	1	491490	Skydd	Cover	
332	1	92284	Mutter	Nut	
337	1	1111-9028-02	Tändstift (J19Lm)	Spark Plug (J19Lm)	Champion J19LM
337	1	9400-0225-00	Tändstift (J19Lm)	Spark Plug (J19Lm)	Champion J19LM
346	2	93705	Skruv	Screw	
356	1	494328	Ground wire	Ground wire	
358	1	494241	Packningssats-motor	Gasket set-engine	Delarna märkta S
363	1	19203	Avdragare	Puller	Tillbehör/Accessory
383	1	1111-9029-01	Tändstiftsnyckel (19 Mm-21 Mm)	Spark Plug Wrench (19 Mm-21 Mm)	Tillbehör/Accessory
455	1	222561	Kopp	Cup	
468	1	224517	Nät	Screen	
523	1	495229	Oil dipstick	Oil dipstick	
524	1	68838	Tätning	Seal	
525	1	496068	Rör	Tube	
552	1	231597	Bussning	Bushing	
562	1	92613	Skruv	Screw	
592	1	231082	Mutter	Nut	
614	1	93306	Låsnål	Cotter Pin Cotter pin	
615	1	93307	Låsring	Retainer	
634	1	491323	Oil seal	Oil seal	
635	1	66538	Tändstiftsskydd	Spark plug elbow	
657	1	93496	Skruv	Screw	
663	2	94073	Skruv	Screw	
668	1	280848	Distans	Spacer	
729	1	281159	Clip	Clip	
741	1	262932	Gear	Gear	
757	1	213998	Länk	Link	
758	1	399891	Balanseringsvikt	Counterweight	
759	1	298909	Kolvspind	Piston Pin	
761	2	94593	Skruv	Screw	
842	1	270920	Tätning	Seal	
847	1	496367	Oljesticka kpl	Oil filler group	
869	1	261463	Ventilsäte	Valve seat	
870	1	213316	Valve seat	Valve seat	
871	1	231218	Ventilstyrning-insug	Valve guide-intake	
871	1	261961	Ventilstyrning-utblås	Valve guide-exhaust	
1005	1	280687	Fläkt	Fan	
1006	1	224413	Hållare	Fan retainer	
1020	1	262243	Excenter	Eccentric	
1021	1	94160	Stift	Pin	



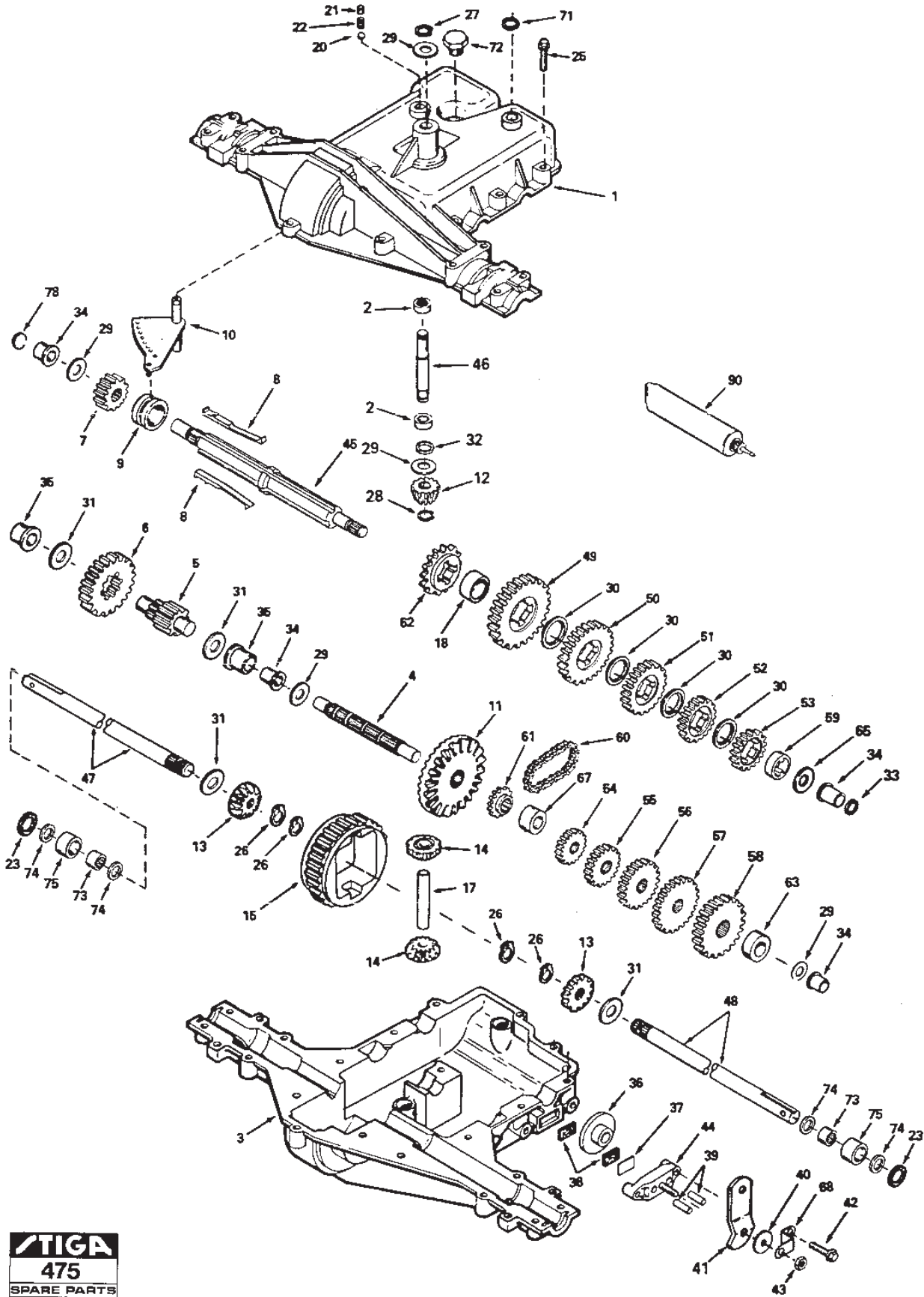
STIGA
496A
SPARE PARTS

Utgåva Issue 41 - 2014		Förgasare Luftfilter	Carburettor Air Cleaner		
Pos. Fig.	Antal Quantity	Art nr Part No	Benämning	Description	Anmärkning Notes
51	1	272465	Packning	Gasket	
52	1	272554	Packning	Gasket	
53	2	94637	Skruv	Screw	
93	1	281346	Bussning	Bushing	
95	2	94098	Skruv	Screw	
98	1	495800	Skruv	Screw	
104	1	231789	Axel	Shaft	
105	1	231855	Nålventil	Inlet needle valve	
106	1	231854	Valve seat	Valve seat	
108	1	224666	Choke valve	Choke valve	
118	1	496589	Nålventil	Needle valve	
121	1	496622	Reparationsatts	Overhaul kit	Delarna märkta F
123	2	94616	Skruv	Screw	
125	1	496592	Förgasare kpl	Carburettor Assy	
130	1	224668	Gasspjäll	Throttle Valve	
131	1	494885	Axel	Shaft	
133	1	494381	Flottör	Float	
137	1	281165	Packning	Gasket	
138	1	281164	Bricka	Washer	
141	1	495931	Choke shaft	Choke shaft	
142	1	496519	Nozzle	Nozzle	
147	1	231794	Nozzle	Nozzle	
164	1	213819	Carburettor elbow	Carburettor elbow	
171	1	281051	Mutter	Nut	
187	1	393815	Bränsleledning	Fuel line	
216	1	262766	Choke link	Choke link	
224	1	94729	Skruv	Screw	
240	1	298090	Bränslefilter	Fuel Filter	
284	1	94704	Skruv	Screw	
309	1	394805	Starter motor	Starter motor	
310	2	94003	Skruv	Screw	
311	4	395538	Släpkol	Brush	
333	1	492341	Armature magneto	Armature magneto	
334	2	94731	Skruv	Screw	
423	2	94073	Skruv	Screw	
445	1	493910	Cartridge	Cartridge	
467	1	493903	Lås ratt	Knob	
482	2	93621	Skruv	Screw	
510	1	495878	Drev kpl	Drive assy	
513	1	398003	Koppling kpl	Clutch Ass.Y	
535	1	272477	Luftfilterelement	Filter Element	
537	1	281106	O-ring	O-ring	
544	1	390837	Armature	Armature	
601	2	93053	Slangklämma	Hose clamp	
611	1	493496	Fuel pipe elbow	Fuel pipe elbow	
618	1	262803	Fjäder	Spring	
634	1	281168	Bricka	Washer	
646	1	224546	Brace	Brace	
663	1	94620	Skruv	Screw	

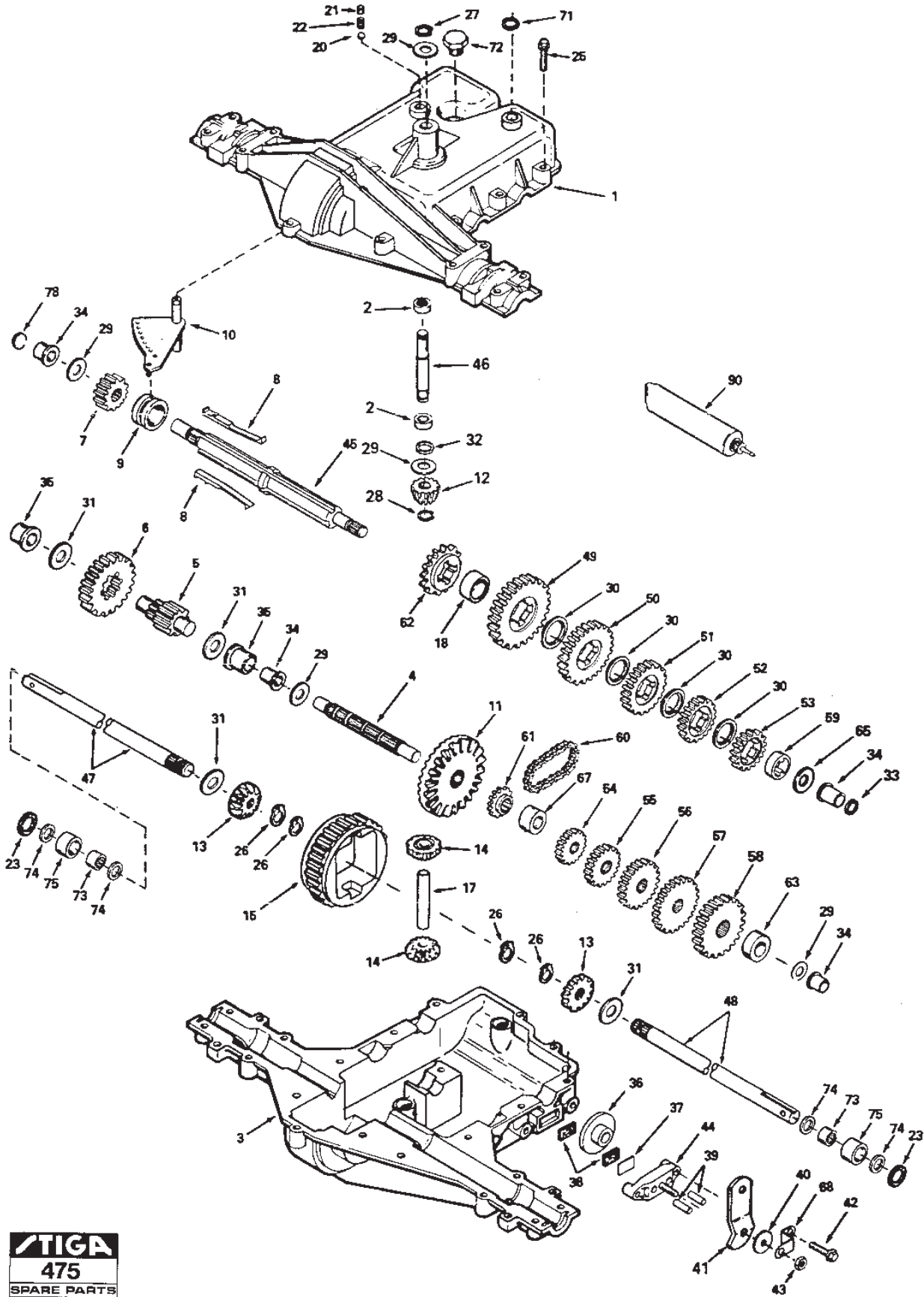


STIGA
496A
SPARE PARTS

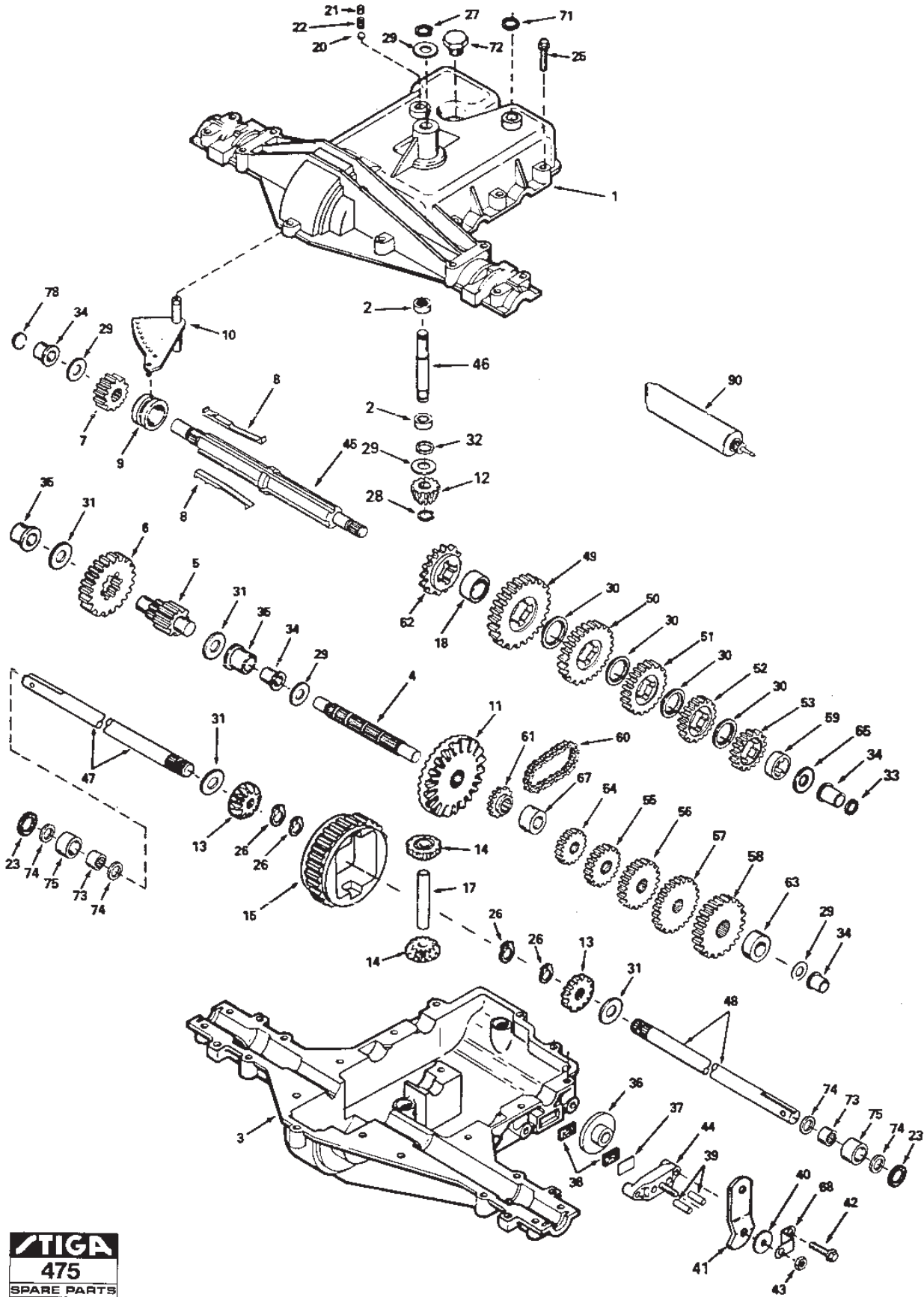
Utgåva Issue 41 - 2014		Förgasare Luftfilter		Carburettor Air Cleaner	
Pos. Fig.	Antal Quantity	Art nr Part No	Benämning	Description	Anmärkning Notes
726	1	392134	Kuggkrans	Gear ring	
727	1	490324	Skyddskåpa	Cover	
728	2	94627	Skruv	Screw	
729	1	224723	Wire clip	Wire clip	
783	1	280104	Drev	Gear	
801	1	394856	Lock	Drive end cap	
802	1	395537	Botten	End cap	
803	1	398159	Hus	Housing	
851	1	221798	Anslutning	Terminal	
872	1	281105	Cover	Cover	
875	1	496368	Filterhus	Filter body	
876	1	495877	Retainer kit	Retainer kit	
877	1	393814	Connector	Connector	
878	1	393422	Kabelhärva	Harness	
887	1	391529	Stator	Stator	
896	1	94288	Stift	Roll pin	
955	1	94642	Skruv	Screw	
965	2	94010	Mutter	Nut	
975	1	494378	Bowl	Bowl	
987	1	281166	Seal	Seal	



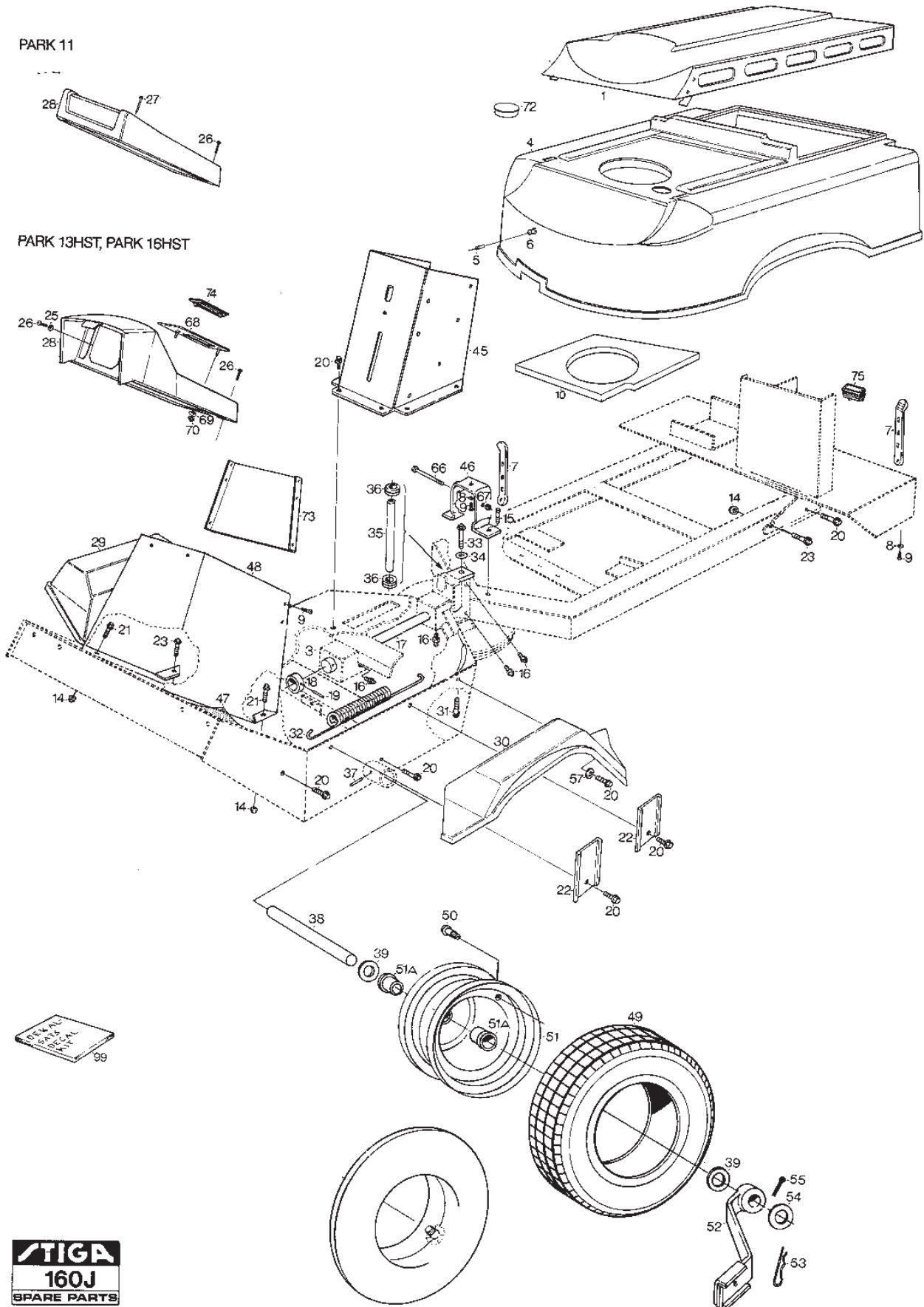
Utgåva Issue 41 - 2014		Tecumseh Peerless Transaxle 930-022		Tecumseh Peerless Transaxle 930-022	
Pos. Fig.	Antal Quantity	Art nr Part No	Benämning	Description	Anmärkning Notes
0	1	1134-3278-01	Transaxle assy	Transaxle assy	Park 10
1	1	772108	Cover	Cover	
1	1	P000-7721-08	Cover	Cover	
2	2	780086	Nållager	Needle bearing	
2	2	P000-7800-86	Nållager	Needle Bearing	
3	1	770102	Case	Case	
3	1	P000-7701-02	Case	Case	
4	1	776260	Axel	Shaft	
4	1	P000-7762-60	Axel	Axle	
5	1	776219	Shaft and pinion	Shaft and pinion	
5	1	P000-7762-19	Shaft and pinion	Shaft and pinion	
6	1	778139	Gear	Gear	
6	1	P000-7781-39	Drev	Gear	
7	1	778136	Gear	Gear	15T
7	1	P000-7781-36	Drev	Gear	15T
8	4	792123	Kil	Key	
8	4	P007-9212-3A	Kil	Key	
9	1	784216	Collar	Collar	
9	1	P000-7842-16	Collar	Collar	
10	1	784345	Shift rod and fork	Shift rod and fork	
10	1	P000-7843-45	Shift rod and fork	Shift rod and fork	
11	1	778137	Bevel gear	Bevel gear	42T
11	1	P007-7813-7A	Drev	Gear	42T
12	1	778153	Bevel pinion	Bevel pinion	
12	1	P000-7781-53	Bevel pinion	Bevel pinion	
13	2	778221	Bevel gear	Bevel gear	
13	2	P000-7782-21	Drev	Bevel gear	
14	2	778068	Bevel pinion gear	Bevel pinion gear	
14	2	P000-7880-68	Bevel pinion gear	Bevel pinion gear	
15	1	778260	Ringdrev	Ring gear	
15	1	P000-7782-60	Ring gear	Ring gear	
17	1	786139	Stift	Drive pin	
17	1	P000-7861-39	Stift	Drive pin	
18	1	786102	Distans	Spacer	
18	1	P000-7861-02	Distans	Spacer	
20	1	792077	Kula	Steel ball	
20	1	P000-7920-77	Kula	Ball	
21	1	792078	Skruv	Screw	
21	1	P000-7920-78	Skruv	Screw	
22	1	792079	Fjäder	Spring	
22	1	P000-7920-79	Fjäder	Spring	
23	2	788061	Tätningring	Seal ring	
23	2	P000-7880-61	Seal ring	Seal ring	
25	17	792073	Skruv	Screw	
25	17	P000-7920-73	Skruv	Screw	
26	4	792125	Låsring	Retainer ring	Sats 2 st/pkg of 2
26	4	P000-7921-25	Låsring	Snap ring	Sats 2 st/pkg of 2
27	1	792035	Låsring	Retainer ring	
27	1	P000-7920-35	Låsring	Retaining ring	



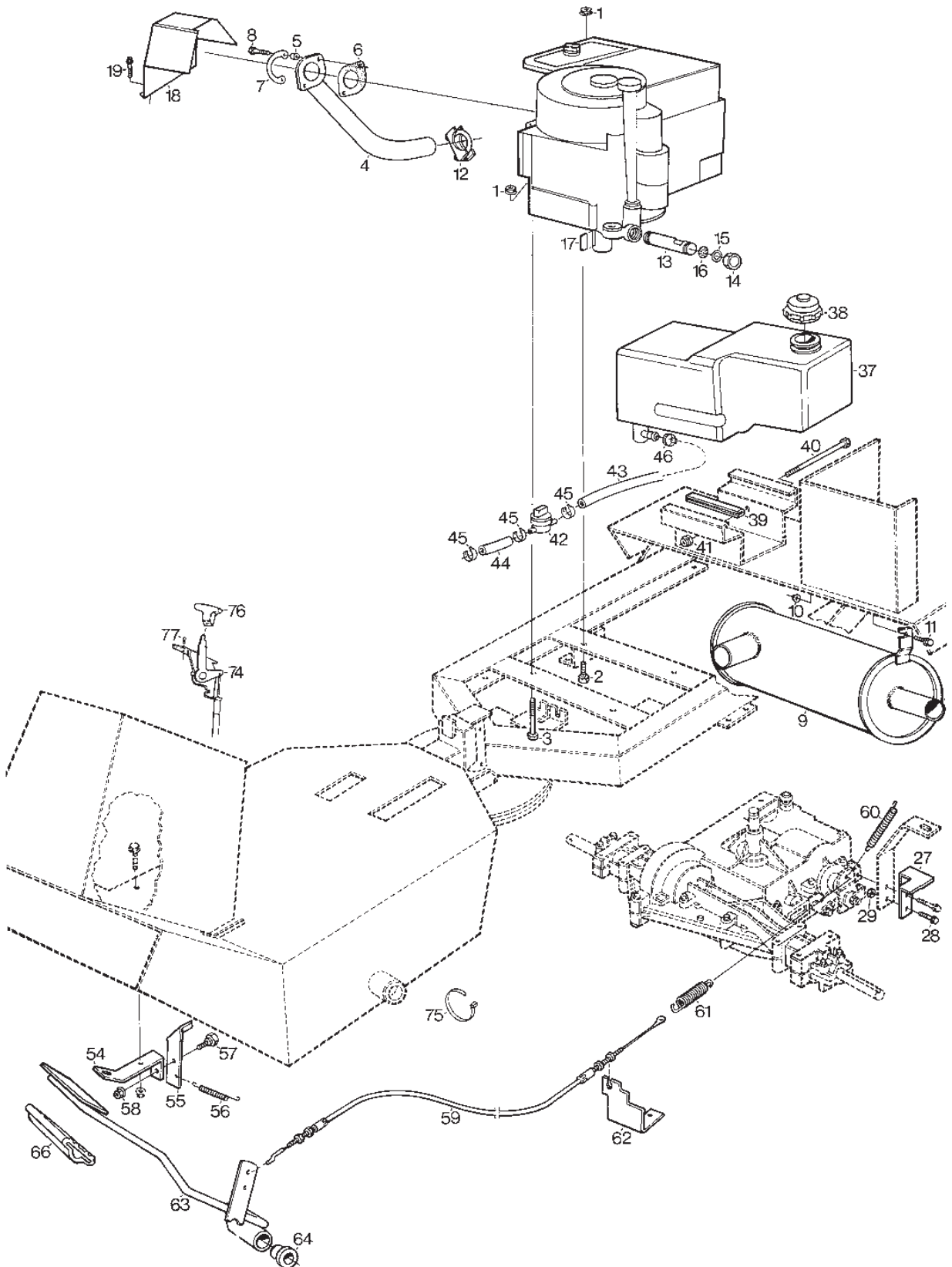
Utgåva Issue 41 - 2014		Tecumseh Peerless Transaxel 930-022		Tecumseh Peerless Transaxle 930-022	
Pos. Fig.	Antal Quantity	Art nr Part No	Benämning	Description	Anmärkning Notes
28	1	788040	Låsring	Retainer ring	
28	1	P000-7880-40	Låsring	Reataining ring	
29	5	780072	Bricka	Thrust Washer	
29	5	P000-7800-72	Bricka	Washer	
30	4	780108	Bricka	Thrust Washer	
30	4	P000-7801-08	Bricka	Washer	
31	4	780001	Bricka	Washer	
31	4	P000-7800-01	Bricka	Washer	
32	1	792001	O-ring	O-ring	
32	1	P000-7920-01	O-ring	O-ring	
33	1	788051	Seal	Seal	
33	1	P000-7880-51	Ring	Seal	
34	4	780105	Bussning	Bushing	
34	4	P007-8010-5A	Bussning	Bushing	
35	2	780118	Flänsbussning	Flange bushing	
35	2	P007-8011-8A	Bussning	Bushing	
36	1	790003	Bromsskiva	Brake Disc	
36	1	P000-7900-03	Bromsskiva	Brake Disc	
37	1	790007	Tryckplatta	Brake pad plate	
37	1	P000-7900-07	Tryck platta	Brake plate	
38	2	790006	Brake pad	Brake pad	
38	2	P000-7900-06	Bromsbelägg	Brake pad	
39	2	786026	StyrSprint Styrpinne	Dowel pin	
39	2	P000-7860-26	TryckSprint	Dowel pin	
40	1	792076	Planbricka Bricka	Flat washer Washer	
40	1	P000-7920-76	Bricka	Washer	
41	1	790008	Bromsarm	Brake Lever	
41	1	P007-9000-8A	Bromsarm	Brake Lever	
42	2	792073	Skruv	Screw	
42	2	P000-7920-73	Skruv	Screw	
43	1	792075	Låsmutter	Nut	
43	1	P000-7920-75	Mutter	Nut	
44	1	790025	Hållare	Brake pad holder	
44	1	P000-7900-25	Hållare	Holder	
45	1	776273	Brake shaft	Brake shaft	
45	1	P000-7762-73	Brake shaft	Brake shaft	
46	1	776135	Ingående axel	Input shaft	
47	1	774895	Axel	Axle	288 mm
47	1	P000-7748-95	Axel	Axle	288 mm
48	1	774896	Axel	Axle	405 mm
48	1	P000-7748-96	Axel	Axle	405 mm
49	1	778191	Gear	Gear	37T
49	1	P000-7781-91	Gear	Gear	37T
50	1	778124	Gear	Gear	30T
50	1	P007-7812-4A	Drev	Gear	30T
51	1	778123	Gear	Gear	25T
51	1	P007-7812-3A	Drev	Gear	25T
52	1	778122	Drev	Gear	22T
52	1	P007-7812-2A	Drev	Gear	22T



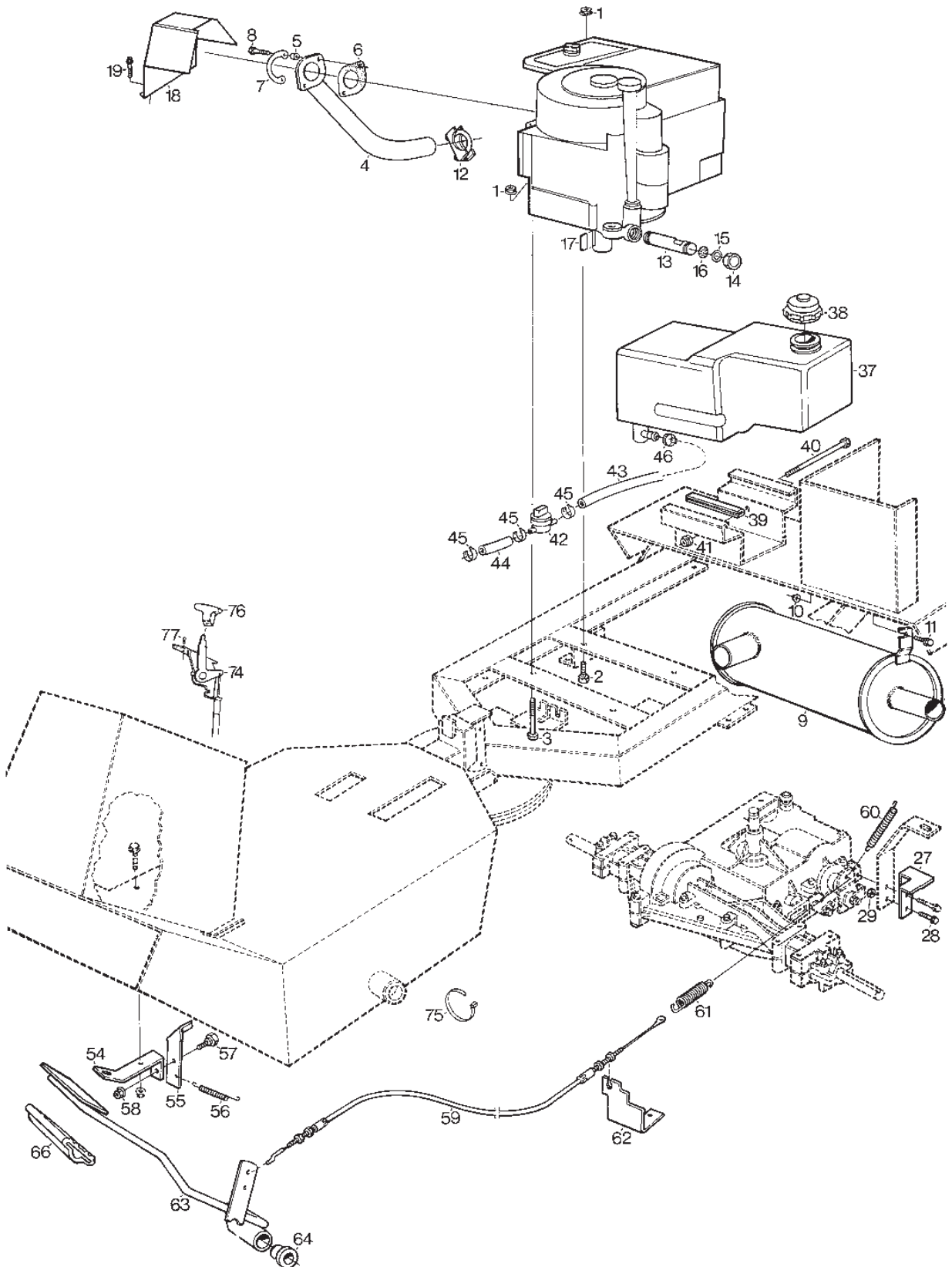
Utgåva Issue 41 - 2014		Tecumseh Peerless Transaxel 930-022		Tecumseh Peerless Transaxle 930-022	
Pos. Fig.	Antal Quantity	Art nr Part No	Benämning	Description	Anmärkning Notes
53	1	778121	Gear	Gear	20T
53	1	P007-7812-1A	Drev	Gear	20T
54	1	778230	Gear	Gear	12T
54	1	P000-7782-30	Gear	Gear	12T
55	1	778126	Gear	Gear	20T
55	1	P007-7812-6A	Drev	Gear	20T
56	1	778127	Gear	Gear	25T
56	1	P007-7812-7A	Drev	Gear	25T
57	1	778128	Drev	Gear	28T
57	1	P007-7812-8A	Drev	Gear	28T
58	1	778129	Drev	Gear	30T
58	1	P007-7812-9A	Drev	Gear	30T
59	1	786072	Distans	Spacer	
59	1	P000-7860-72	Distans	Spacer	
60	1	786081	Kedja	Chain	
60	1	P000-7860-81	Kedja	Chain	
61	1	786082	Sprocket	Sprocket	9T
61	1	P000-7860-82	Kedjehjul	Sprocket	9T
62	1	786123	Sprocket	Sprocket	18T
62	1	P000-7861-23	Sprocket	Sprocket	18T
63	1	786071	Distans	Spacer	
63	1	P000-7860-71	Distans	Spacer	
65	1	780109	Bricka	Washer	
65	1	P000-7801-09	Bricka	Washer	
67	1	786118	Distans	Spacer	
67	1	P000-7861-18	Distans	Spacer	
68	1	786086	Fäste	Brake lever bracket	
68	1	P000-7860-86	Fäste	Bracket	
71	1	788069	Tätning	Seal	
71	1	P000-7880-69	Seal	Seal	
72	1	792074	Threaded Plug	Threaded Plug	
72	1	P000-7920-74	Plug	Plug	
73	2	780140	Nållager	Needle bearing	
73	2	P000-7801-40	Needle Bearing	Needle Bearing	
74	4	788066	Ring	Ring	
74	4	P000-7880-66	Ring	Ring	
75	2	786084	Sleeve	Sleeve	
75	2	P000-7860-84	Sleeve	Sleeve	
78	1	786116	Täckbricka	Disk	
78	1	P000-7861-16	Disk	Disk	
90	1	P007-8806-7B	Grease	Grease	0.9 kg Bentonite
90	1	788067	Smörjfett	Grease	(0.9 kg) Bentonite



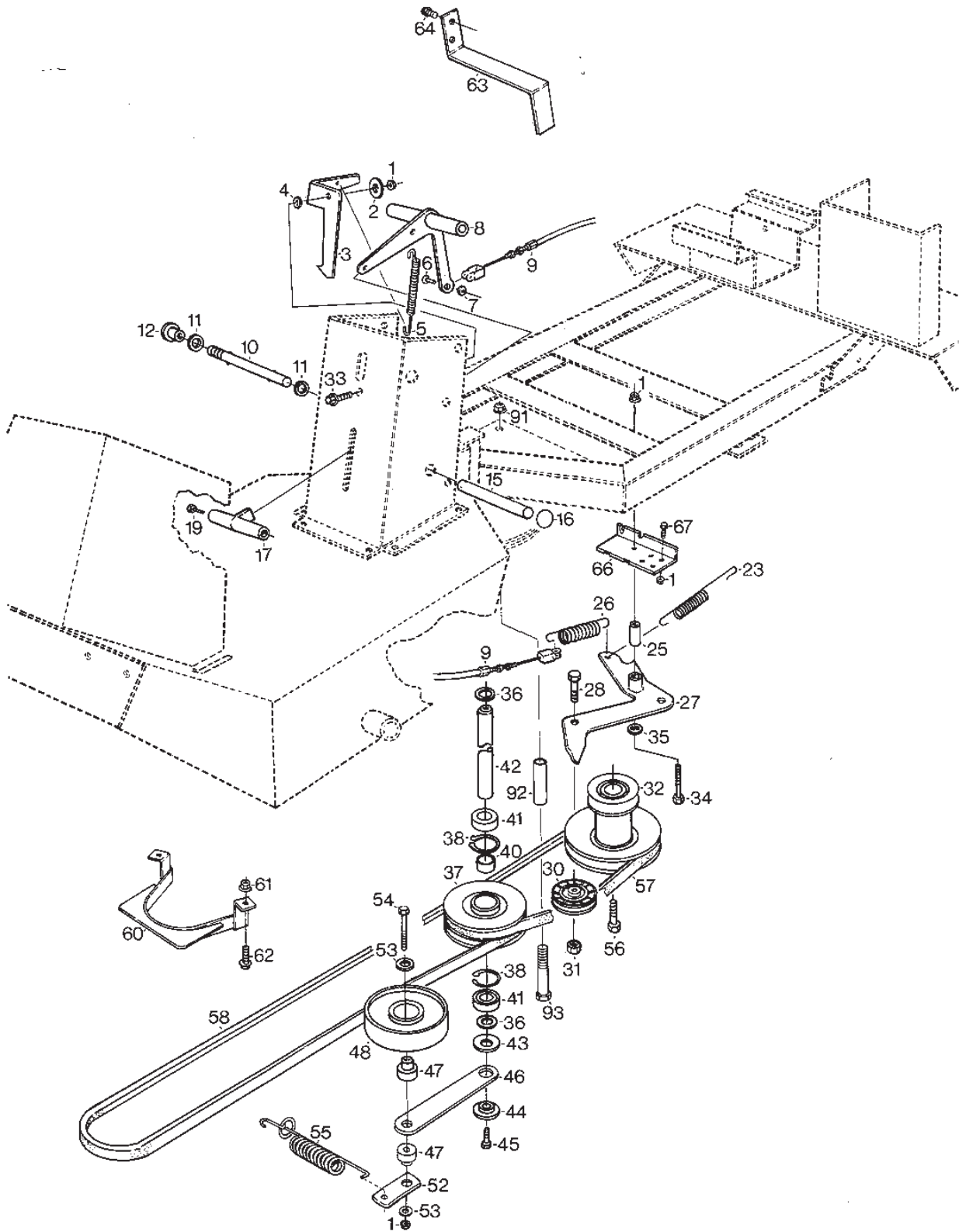
Utgåva Issue 41 - 2014		Ram	Frame		
Pos. Fig.	Antal Quantity	Art nr Part No	Benämning	Description	Anmärkning Notes
1	1	1134-2215-01	Motorlucka5-01	Engine Cover (Black)	
3	1	1134-3411-03	Främre ram	Front frame	
4	1	1134-3215-01	Motorhuv 1-00	Engine Hood	
5	3	9632-0516-00	Popnit Tap/D/Bs 416 Gf9.5	Pop Rivet	
6	3	9405-0029-00	Knopp	Knob	
7	1	1134-9028-01	Gummistropp (3 St)	Rubber Strap (3 Pcs)	
8	3	9699-0087-02	Bricka	Washer	
14	8	9739-0831-22	Mutter	Nut	
15	2	9942-0612-16	Skruv	Screw	
16	4	9501-0500-00	Smörjkopp Kort Rak	Grease Dispenser	
17	1	1134-1757-07	Midjegaffel M Ledaxel 5-01 H-10	Clevis	
18	1	1134-0031-00	Ledaxelstopp	Pivot Shaft Stop	
19	1	9595-0262-00	Spännstift	Locating Pin	
20	18	9942-0816-16	Skruv	Screw	
21	4	9959-0816-16	Skruv	Screw	16 mm
22	4	1134-0225-00	Stödplåt	Support Plate	
23	4	9959-0820-16	Skruv	Screw	20 mm
26	2	9849-8013-16	Skruv	Screw	13 mm
27	2	9849-8032-16	Skruv	Screw	32 mm
28	1	1134-3370-01	Instrumentpanel (P10)	Panel	
29	1	1134-2174-02	Framskärm Höger1-00	Mudguard,Rh (Yellow)	
30	1	1134-2174-01	Framskärm Vänster1-00	Mudguard,Lh (Yellow)	
31	1	9959-1025-16	Skruv	Screw	
32	1	1134-2171-01	Fjäder	Spring	
33	1	9959-1020-16	Skruv	Screw	
34	1	9699-0035-02	Bricka	Washer	
35	1	1134-0057-00	Centrumaxel	Centre Shaft	
36	2	9547-0001-00	Ledlager Ge17Es	Bearing	
37	2	9595-0258-00	Spännstift	Locating Pin	
38	2	1134-0075-01	Framaxeltapp	Front Axle	
39	6	1134-0341-01	Bricka	Washer	
45	1	1134-3252-02	Sitskonsol-gul	Seat Bracket-Yellow	
46	1	1134-2951-01	Huvstöd Par	Engine Cover Support	
47	1	1134-3535-01	Durkmatta Park	Floor Mat	
48	1	1134-2833-10	Frontdekor Kpl 1-00 02	Front Trim Plate	
49	2	9545-0116-00	Däck	Tyre	16 x 7.50-8
49	2	9545-0120-00	Däck	Tyre	16 x 7.50-8
50	2	9545-0500-00	Ventil	Valve Assy.	
52	2	1134-1183-04	1134-3710-01+9599-0080-02	1134-3710-01+9599-0080-02	
53	2	9598-0003-02			
54	2	9699-0042-02	Bricka	Washer	
55	2	9599-0080-02	SaxSprint Sp 4*28	Cotter Pin	
57	2	9699-0056-02	Bricka	Washer	
66	1	9997-0670-12	Skruv	Screw	
67	1	9747-0631-02	Mutter Låsmutter	Nut	
75	3	1134-3540-01	Ändavslutning Ir 2030	Plastic Plug	Art.nos. 1441,42,43
99	1	1134-3558-01	Dekalsats	Label Kit	



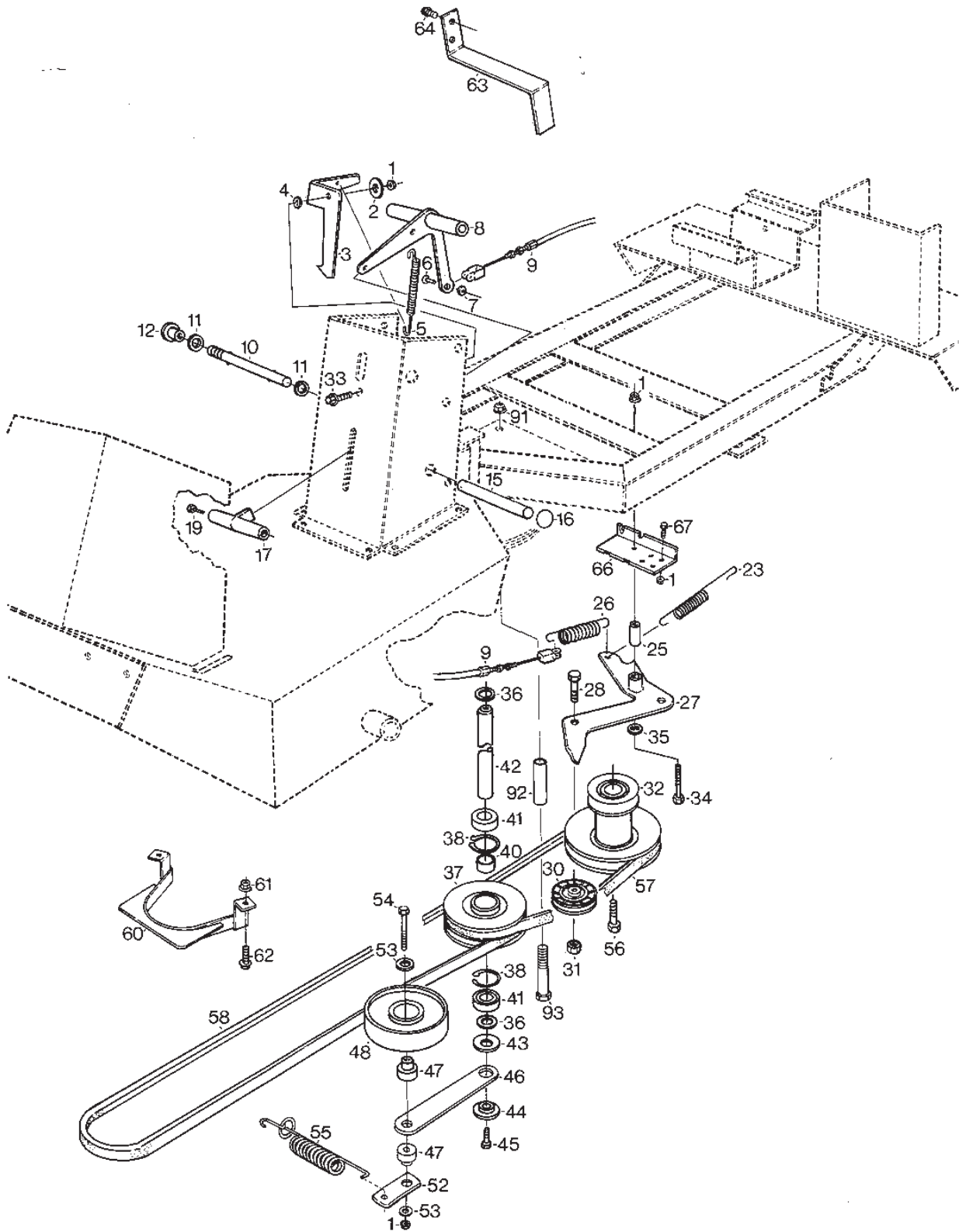
Utgåva Issue 41 - 2014		Motor Bromssystem	Engine Brake System		
Pos. Fig.	Antal Quantity	Art nr Part No	Benämning	Description	Anmärkning Notes
1	4	9739-0831-22	Mutter	Nut	
2	3	9997-0840-16	Skruv	Screw	40 mm
2	3	9997-0835-12	Skruv	Screw	35 mm
2	3	9997-0835-12	Skruv	Screw	35 mm
3	1	9997-0865-12	Skruv	Screw	65 mm
4	1	1134-2013-01	Avgasrör	Exhaust Pipe	
5	2	1134-0345-00	Distans	Spacer	
6	1	1134-0433-00	Packning	Gasket	
7	1	1134-2462-01	Låsbleck	Lock	
8	2	9988-3632-12	Skruv	Screw	
9	1	1134-3243-01	Ljuddämpare	Silencer	
10	1	9739-0831-22	Mutter	Nut	
11	1	9959-0816-16	Skruv	Screw	
12	1	9578-0011-00	Klämma F Ljuddämp D35 Rid	Clamp	
13	1	1134-2212-01	Oljeavtappningsrör Kpl.	Oil Drain Pipe	
14	1	1134-0995-01	Plugg	Plug	
15	1	9404-0020-00	O-Ring 11,3 X 2,4	O-ring	
16	1	1134-0997-01	Packning	Gasket	
17	1	9600-0250-00	Kil	Key	
18	1	1134-2733-01	Värmskydd (5-01 F12)20	Heat Protection	
19	2	9942-0612-16	Skruv	Screw	
27	1	1134-2045-01	Bromsstopp	Brake Stop	
28	1	9959-0816-16	Skruv	Screw	
29	1	9739-0831-22	Mutter	Nut	
37	1	1134-2886-01	Bränsletank	Fuel tank	
38	1	1134-2877-02	Tanklock	Fuel Tank Cap	
39	2	1134-2941-01	Kantskyddslist S	Protection Strip	
40	1	9997-0812-02	Skruv	Screw	
41	1	9747-0831-02	Mutter Låsmutter	Nut	
42	1	1134-3223-01	Bränslekran	Fuel Shut-Off	
43	1	1134-2975-02	Bensinslang	Fuel Tube	L = 145 mm
44	1	1134-2975-03	Bensinslang	Fuel Tube	L = 40 mm
45	3	1134-3499-01	Slangklämma	Hose Clamp	
46	1	1134-2998-01	Hose clamp	Hose clamp	
54	1	1134-1184-02	Stag F Parkeringsbroms	Stay	
55	1	1134-2151-01	Spärr	Stop	
56	1	1131-1497-01	Fjäder	Brake Spring	
57	1	1134-0245-00	Skruv	Screw	
58	1	9739-0831-22	Mutter	Nut	
59	1	1134-3410-02	Motorbromswire	Cable, Thread Engine Brake	
60	1	1131-1506-00	Fjäder	Spring	
61	1	1134-3280-01	Fjäder	Spring	
62	1	1134-3403-01	Kabelhållare	Wire Holder	
63	1	1134-2170-02	Bromspedal (hö sida)	Brake pedal (R. H.)	
64	1	1134-9024-01	Lager (4 St)	Bearing	
66	1	1134-0269-00	Pedalgummi	Pedal Rubber	
74	1	1134-1975-11	Gasreglage	Throttle Cable	
75	1	9579-0008-00	Buntband	Cable Holder	
76	1	9403-0035-10	Knopp	Knob	



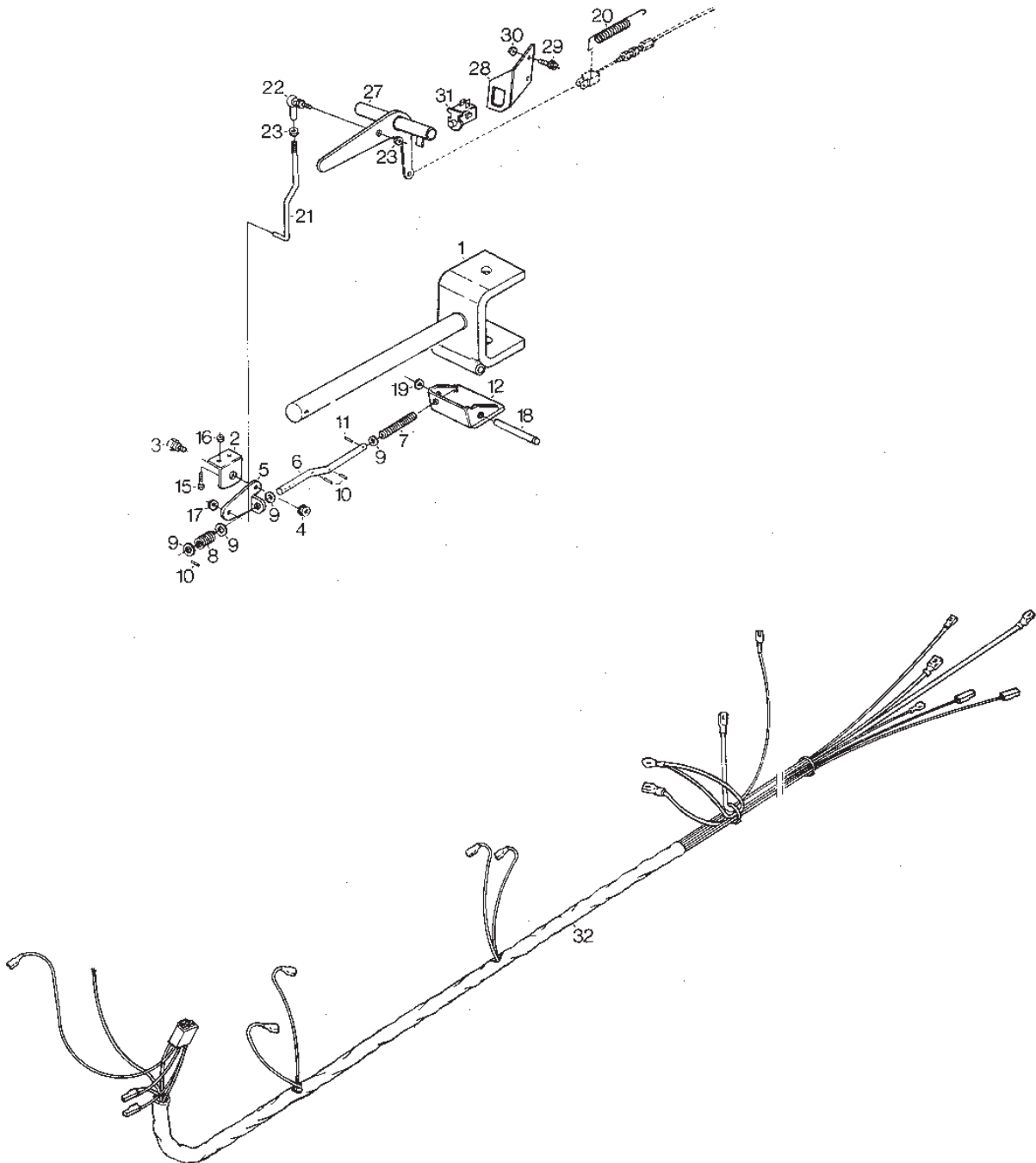
Utgåva Issue 41 - 2014		Motor Bromssystem Engine Brake System			
Pos. Fig.	Antal Quantity	Art nr Part No	Benämning	Description	Anmärkning Notes
77	2	9849-8013-16	Skruv	Screw	



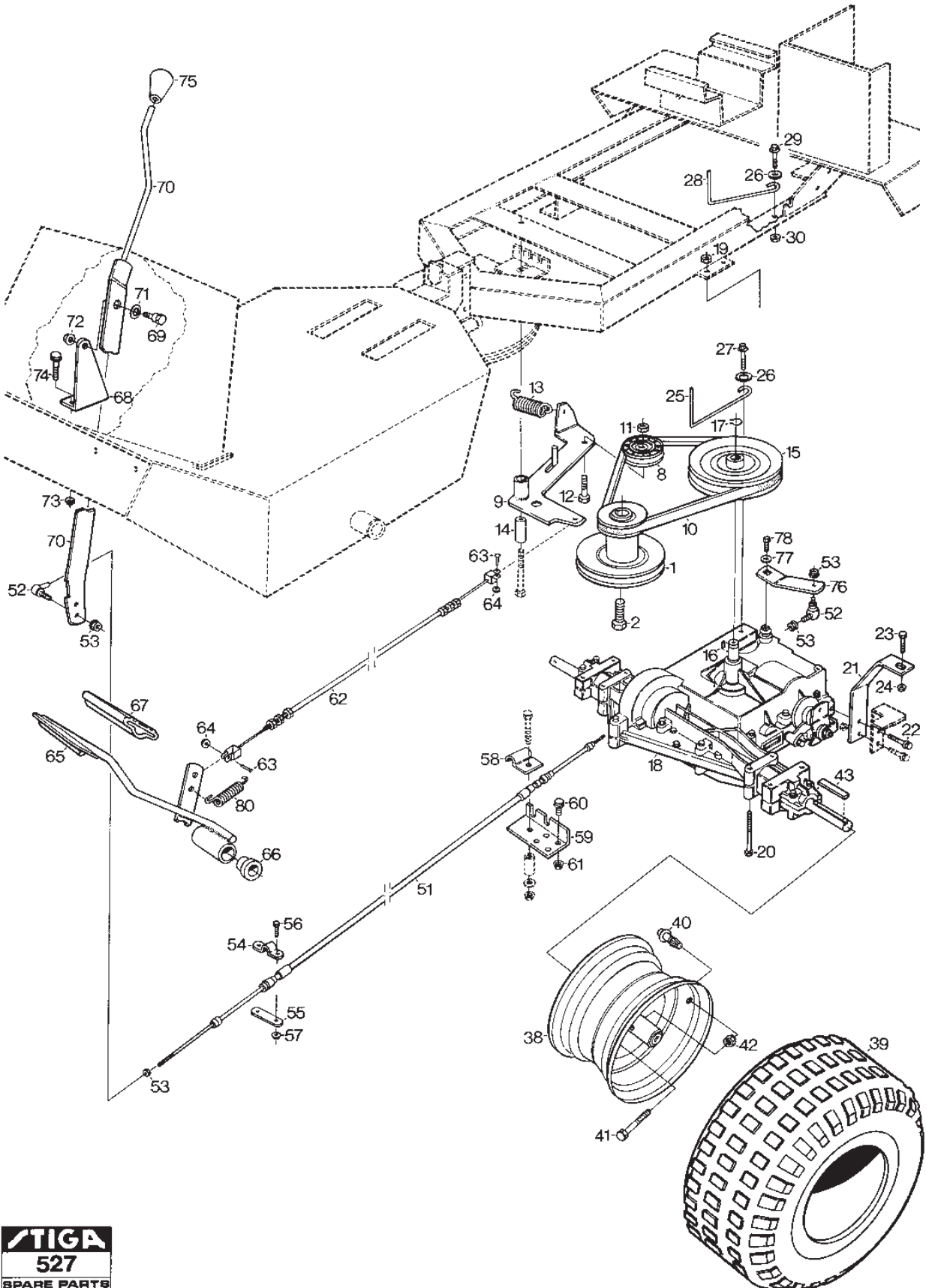
Utgåva Issue 41 - 2014		Power Take-Off			
Pos. Fig.	Antal Quantity	Art nr Part No	Benämning	Description	Anmärkning Notes
1	3	9739-0831-22	Mutter	Nut	
2	1	1134-0143-00	Bricka	Washer	
3	1	1134-2453-01	Låshake	Locking Pawl	
4	1	9695-0002-00	Bricka	Washer	
5	1	1131-1497-01	Fjäder	Brake Spring	
6	1	9646-0036-22	Nit Kn 5X12	Rivet	
7	1	9675-0008-02	Starlockbricka	Starlock	
8	1	1134-0027-01	Reglagespak	Control Lever	
9	1	1134-3573-01	Wire (Kraft)	Cable	
10	1	1134-1972-01	Urkopplingsspak	Disengaging Lever	
11	2	9699-0025-02	Bricka	Washer	
12	1	1134-0583-00	Knopp	Knob	
15	1	1134-0022-00	Reglagestång	Control Rod	
16	2	9672-0004-02			
17	1	1134-0153-00	T-Handtag	Handle Gear Shifter	
19	1	9847-8016-16	Skruv	Screw	
23	1	4231-0013-00	Fjäder	Spring	
25	1	1134-1565-01	Distans	Spacer	
26	1	1134-1242-02	Fjäder	Spring	
27	1	1134-2018-01	Spännarm Kpl 5-01 24	Tensioning Arm	
28	1	9997-1030-16	Skruv	Screw	
30	1	1134-9027-01	Spännrulle (Svart)	Tension Roller (Black)	
31	1	9799-1031-02	Mutter	Nut	
32	1	9997-1450-16	Skruv	Screw	Tillbehör/Accessory
33	1	9959-0820-16	Skruv	Screw	
34	1	9997-0850-16	Skruv	Screw	
35	1	9699-0056-02	Bricka	Washer	
36	2	1134-0052-00	Distans	Spacer	
37	1	1134-1769-02	Remskiva	Belt Pulley	
38	2	9651-0040-04	Spårring Sgh 40	Circlip	
40	1	1134-0051-09	Distans	Spacer	
41	2	9549-0019-00	Kullager	Ball Bearing	
42	1	1134-0057-00	Centrumaxel	Centre Shaft	
43	1	9699-0109-02	Bricka	Washer	
44	1	1134-0222-00	Bricka	Washer	
45	1	9959-1025-16	Skruv	Screw	
46	1	1134-1730-01	Spännhjulsarm	Tensioning Wheel Arm	
47	2	1134-1888-01	Distans	Spacer	
48	1	1134-1770-01	Spännhjul Kpl	Tension Roller	
52	1	1134-1893-01	Fjäder	Spring	
53	2	9699-0062-02	Bricka	Washer	
54	1	9997-0865-12	Skruv	Screw	
55	1	1134-1322-01	Fjäder	Tensioning Wheel Spring	
56	1	9987-5338-12	Skruv	Screw	
57	1	1134-9012-01	Kilrem	V-Belt	=9585-0056-00
60	1	1134-3654-01	Fingerskydd 5-01 24	Guard	
61	2	9739-0631-22	Mutter Strålkastare	Nut Working lamp	
62	2	9997-0616-16	Skruv	Screw	
63	1	1134-2381-01	Remstyrning	Belt Guide	



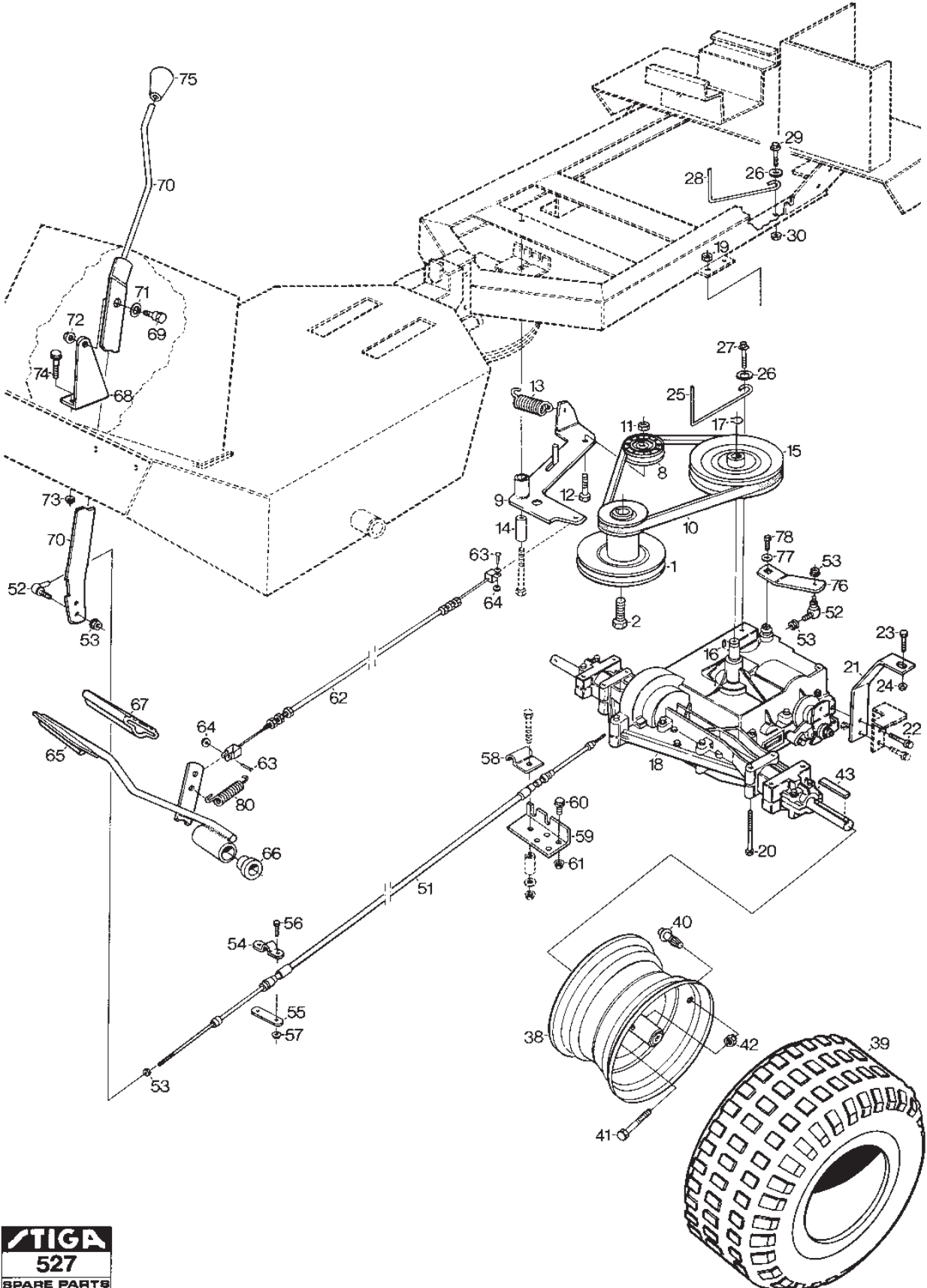
Utgåva Issue 41 - 2014		Power Take-Off			
Pos. Fig.	Antal Quantity	Art nr Part No	Benämning	Description	Anmärkning Notes
64	2	9942-0816-16	Skruv	Screw	
91	1	9739-1031-22	Mutter	Nut	
92	1	1134-0041-03	Bussning	Bushing	
93	1	9997-1070-12	Skruv	Screw	



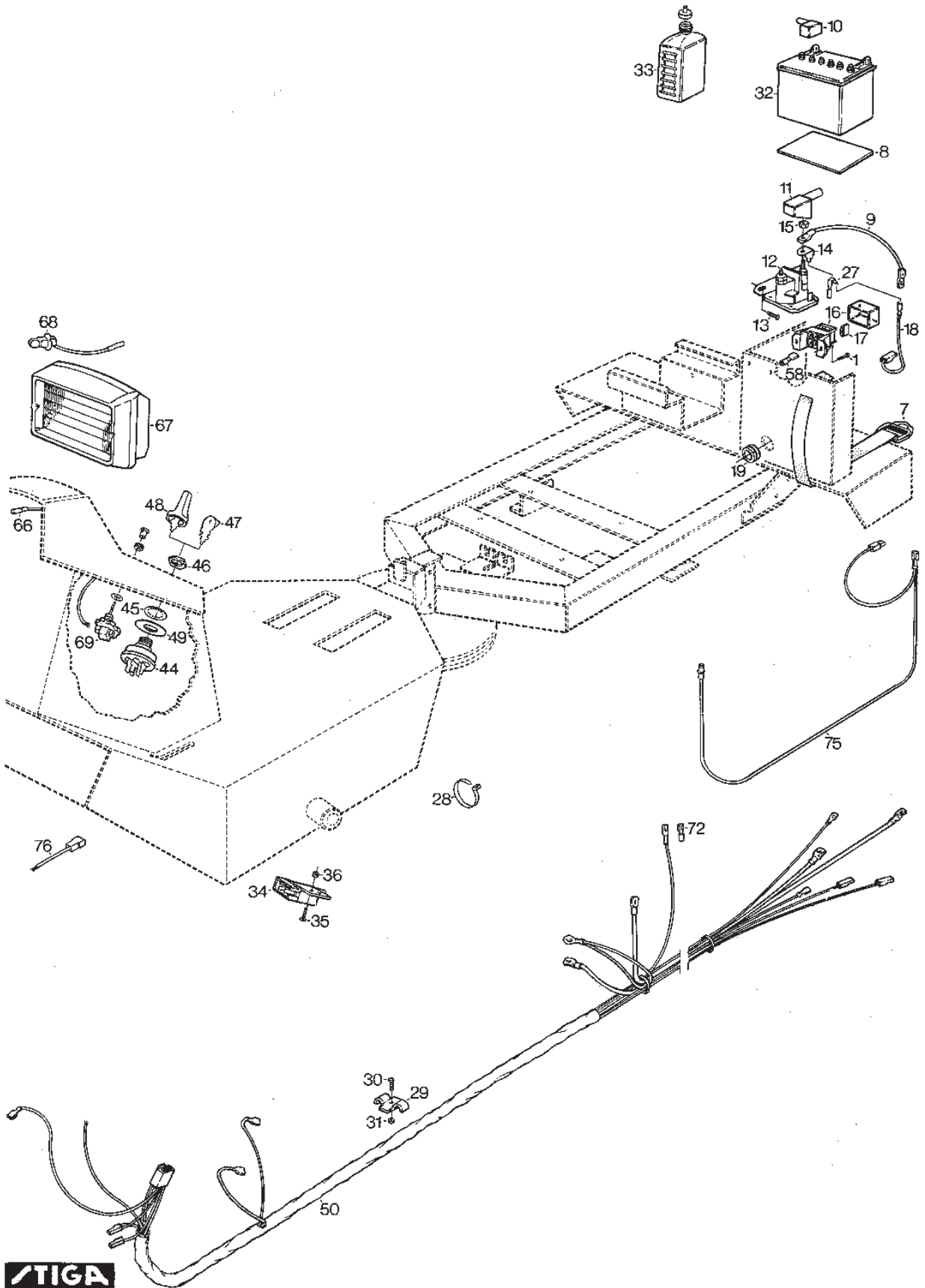
Utgåva Issue 41 - 2014		Krafttuttagsbroms (Endast Vissa Modell)		Pto-Brake (Certain Models Only)	
Pos. Fig.	Antal Quantity	Art nr Part No	Benämning	Description	Anmärkning Notes
27	1	1134-1396-02	Spak	Lever	
28	1	1134-3551-01	Brytarfäste	Attachment	
29	2	9959-0612-16	Skruv	Screw	
30	2	9739-0631-22	Mutter Strålkastare	Nut Working lamp	
31	1	1134-3156-01	Brytare	Switch	
32	1	1134-3492-01	Kablage	Harness	



Utgåva Issue 41 - 2014		Transmission			
Pos. Fig.	Antal Quantity	Art nr Part No	Benämning	Description	Anmärkning Notes
1	1	1134-2020-01	Motorremskiva	Engine Pulley	
2	1	9987-5338-12	Skruv	Screw	
8	1	1134-9027-01	Spännrulle (Svart)	Tension Roller (Black)	
9	1	1134-2015-03	Spännarm	Tension Arm	
10	1	1134-9035-01	Kilrem	V-Belt	=9585-0078-00
11	1	9799-1031-02	Mutter	Nut	
12	1	9997-1030-16	Skruv	Screw	
13	1	1134-0645-00	Fjäder	Spring	
14	1	1134-1565-01	Distans	Spacer	
15	1	1134-1849-01	Remskiva	Belt Pulley	
16	1	9600-0050-00	Kil	Key	
17	1	9650-0016-04	Spårring Sga 16	Circlip	
18	1	1134-3278-01	Transaxle assy	Transaxle assy	Peerless 930-022
18	1	1134-3716-01	Transaxle assy	Transaxle assy	960402-
19	4	9739-0831-22	Mutter	Nut	
20	4	9997-0865-12	Skruv	Screw	
21	1	1134-2986-01	Fäste	Bracket	
22	1	9942-0820-16	Skruv	Screw	
23	1	9959-0820-16	Skruv	Screw	
24	1	9739-0831-22	Mutter	Nut	
25	1	1134-3289-01	Remstyrning	Belt Guide	
26	2	9699-0056-02	Bricka	Washer	
27	1	9942-0820-16	Skruv	Screw	
28	1	1134-3289-01	Remstyrning	Belt Guide	
29	1	9959-0820-16	Skruv	Screw	
30	1	9739-0831-22	Mutter	Nut	
38	2	1134-3175-01	Fälg-bak	Rim-rear	
39	1	9545-0203-00	Innerslang	Inner Tube	Reservdel/spare part
39	2	9545-0116-00	Däck	Tyre	16 x 7.50-8
39	2	9545-0120-00	Däck	Tyre	16 x 7.50-8
39	2	9545-0116-00	Däck	Tyre	16 x 7.50-8
39	2	9545-0120-00	Däck	Tyre	16 x 7.50-8
40	2	9545-0500-00	Ventil	Valve Assy.	
41	2	9997-0840-16	Skruv	Screw	
41	2	9997-0845-12	Skruv	Screw	
41	2	9997-0845-12	Skruv	Screw	
42	2	9747-0831-02	Mutter Låsmutter	Nut	
43	2	1134-2471-01	Kil	Key	
51	1	1134-2031-02	Växelwire	Gear Shifter Cable(=1333	
52	2	9570-0001-00	Vinkellänk As8 Din 71802M5	Elbow Link	
53	4	9739-0531-22	Mutter	Nut	
54	1	1134-0266-00	Fästbygel	Attaching Clamp	
55	1	1134-0267-00	Underläggsbleck	Clamp Plate	
56	2	9997-0520-16	Skruv	Screw	
57	2	9739-0531-22	Mutter	Nut	
58	1	1134-2021-01	Växelwirefäste	Clamp	
59	1	1134-3400-01	Vinkelarm 5-01 24	Angle Plate	
60	2	9959-0816-16	Skruv	Screw	
61	2	9739-0831-22	Mutter	Nut	

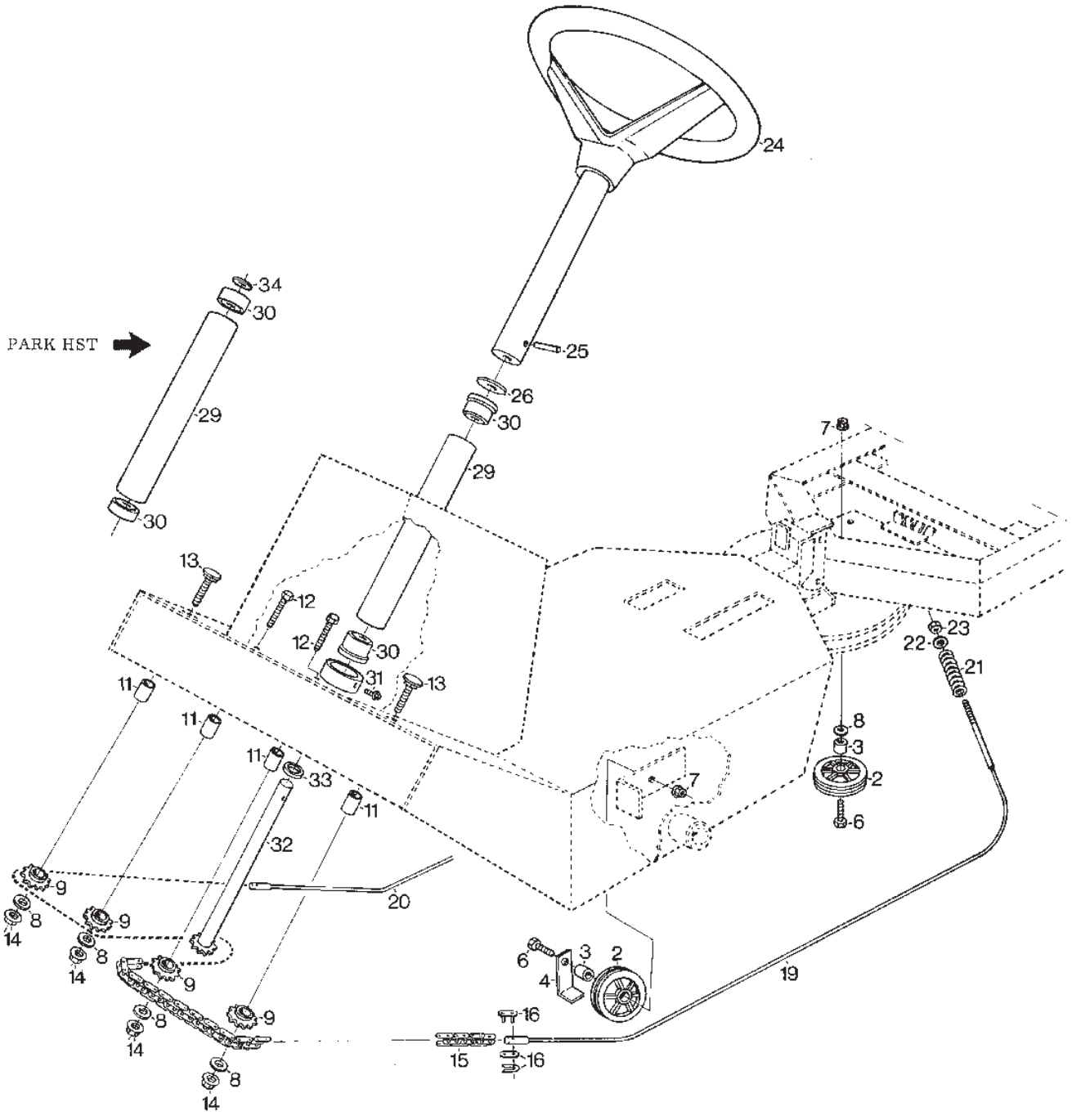


Utgåva Issue 41 - 2014		Transmission			
Pos. Fig.	Antal Quantity	Art nr Part No	Benämning	Description	Anmärkning Notes
62	1	1134-2030-04	Kopplingswire	Clutch Cable	
63	2	9646-0036-22	Nit Kn 5X12	Rivet	
64	2	9675-0008-02	Starlockbricka	Starlock	
65	1	1134-3450-01	Bromspedal (vä sida)	Brake pedal (L. H.)	
66	1	1134-9024-01	Lager (4 St)	Bearing	
67	1	1134-0269-00	Pedalgummi	Pedal Rubber	
68	1	1134-0220-01	Växelspaxkonsol5-01	Gear Shifter Bracket	
69	1	1134-0240-00	Skruv	Screw	
70	1	1134-2328-01	Växelspak Kpl. 48	Gear Lever	
71	1	9696-0013-01	Bricka	Washer	
72	1	9739-0831-22	Mutter	Nut	
73	2	9739-0831-22	Mutter	Nut	
74	2	9959-0816-16	Skruv	Screw	
75	1	1134-2551-01	Knopp	Knob	
76	1	1134-3279-01	Växelarm	Gear Shifter Arm	
77	1	9699-0060-02	Bricka	Washer	
78	1	9987-5016-16	Skruv	Screw	
80	1	1131-1506-00	Fjäder	Spring	

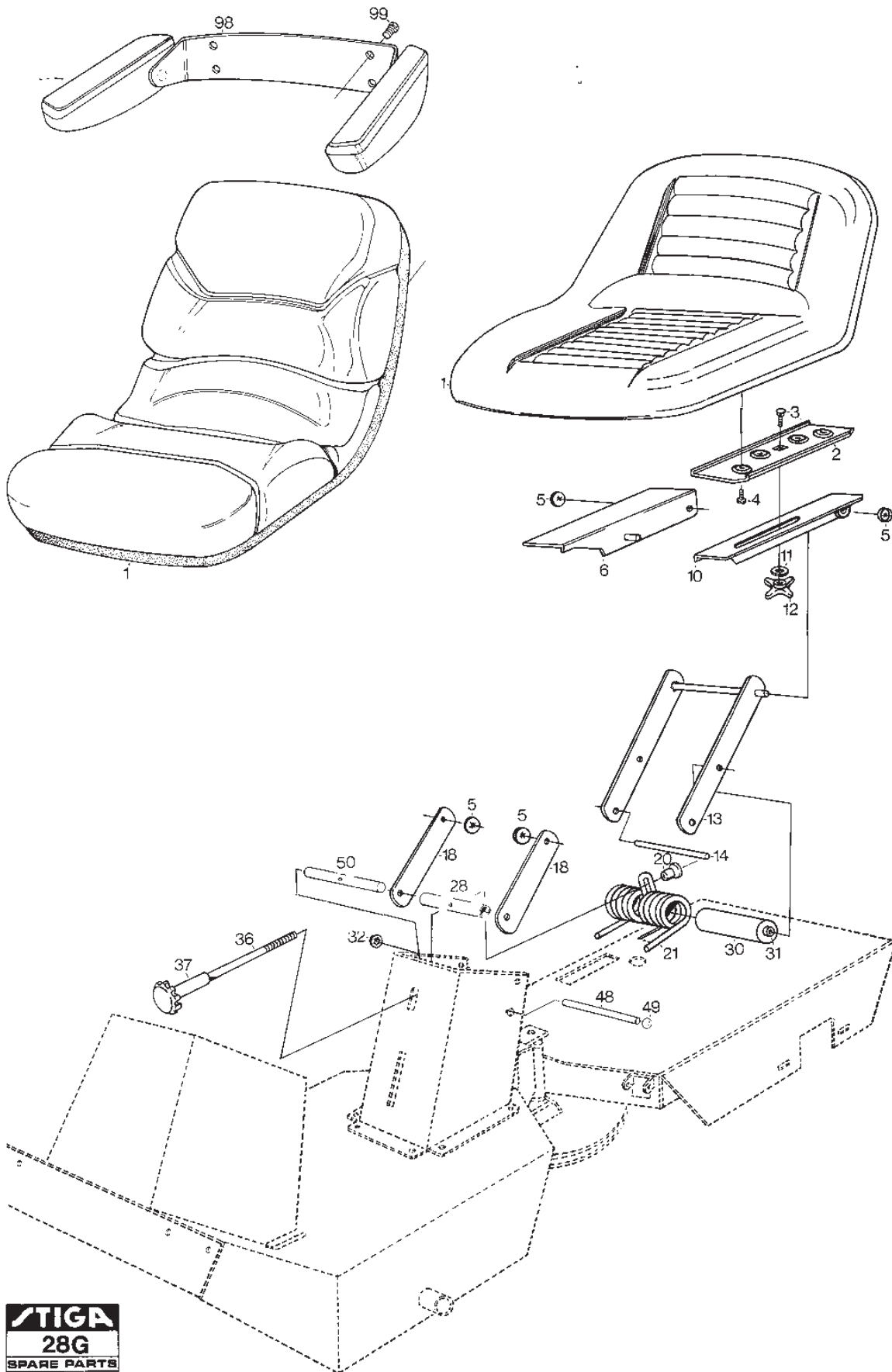


STIGA
524
SPARE PARTS

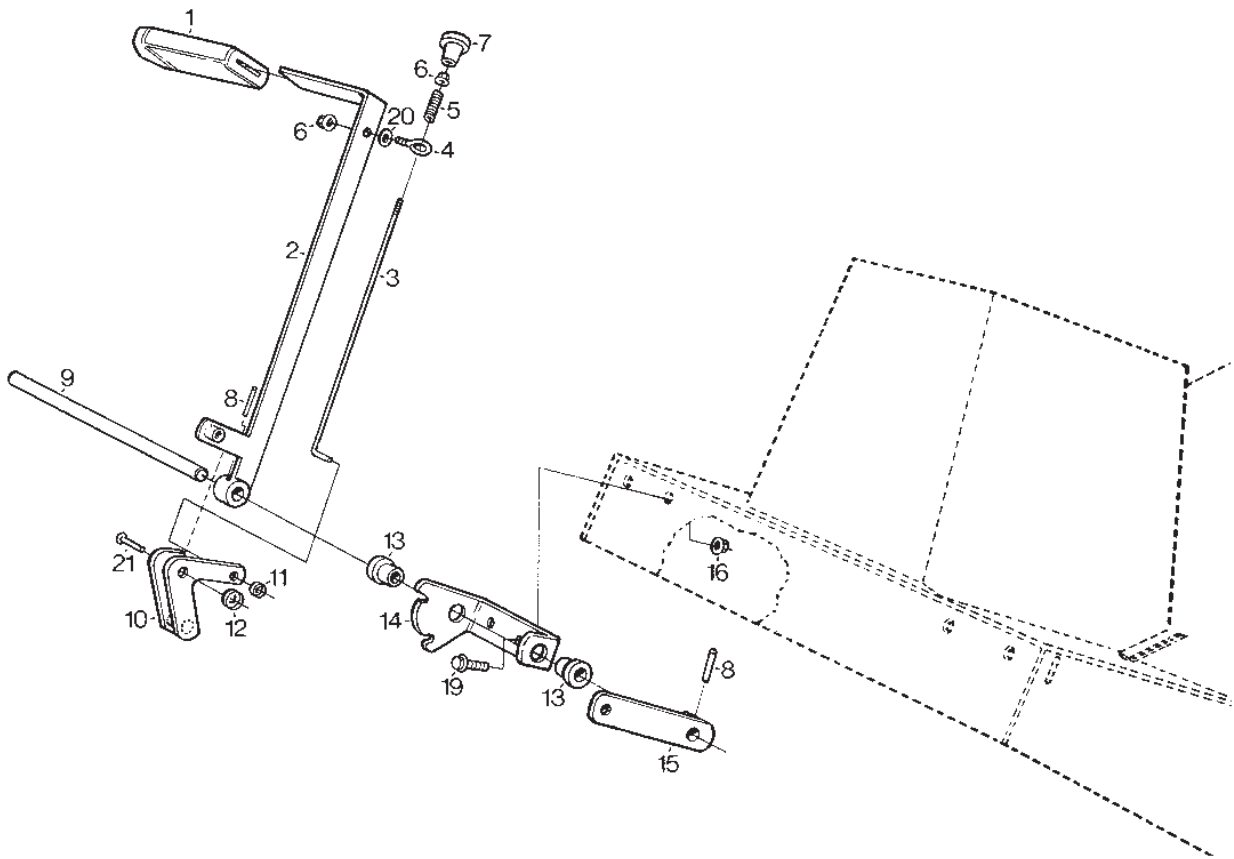
Utgåva Issue 41 - 2014		Elsystem Electrical System			
Pos. Fig.	Antal Quantity	Art nr Part No	Benämning	Description	Anmärkning Notes
1	2	9849-8009-16	Skruv	Screw	
7	1	9400-0064-02	Batterihållare	Battery Holder	
8	1	1134-2333-02	Batteriunderlägg	Battery Pad	
9	1	1134-0234-01	Batterikabel (+)	Battery Cable (+)	
10	1	1134-2310-01	Batteriskydd	Guard Cap (+)	
11	1	1134-2948-01	Skyddshätta	Guard Cap	
12	1	1134-2962-01	Solenoid Kpl Service	Solenoid	
13	2	9849-8009-16	Skruv	Screw	
14	1	1134-2947-01	Stift	Cable Connection	
15	2	9794-5131-02	Mutter	Nut	
16	1	1134-3491-01	Säkringshållare	Fuse Holder	
17	2	1134-3496-01	Säkring Säkring 10A Röd	Fuse Fuse (10A)	10A
18	1	1134-3497-01	Kabel	Cable	
19	1	1134-3203-05	Kabelgenomföring	Grommet	
27	1	9400-0170-00	Flatst.Hylsa A2507 Flh-1	Cable Connection	
28	5	9579-0003-00	Kablage Bunband Buntband	Cable harness Cable Cable Holder	
29	1	1134-2782-01	Låsbleck	Clamp	
30	1	9997-0520-16	Skruv	Screw	
31	1	9739-0531-22	Mutter	Nut	
32	1	1134-2892-01	Batteri	Battery	
33	1	1134-3300-01	Batterisyra	Battery Acid	2 x 0.85 liter
34	1	1134-3399-01	Brytare	Switch	
35	2	9997-0520-16	Skruv	Screw	
36	2	9747-0531-02	Mutter	Nut	
44	1	1134-1814-01	Tändningslås Kpl Service	Starter Switch Assy.	
45	1	1134-2853-01	Bricka	Washer	
46	1	1134-2852-01	Mutter	Nut	
47	1	1134-2848-01	Tändningsnyckel	Ignition Key	
48	1	1134-3368-01	Tändningsnyckel	Ignition Key	
49	1	9699-0114-02	Bricka	Washer	
50	1	1134-3489-01	Kabelhärva	Cable Harness	



Utgåva Issue 41 - 2014		Styrning Steering			
Pos. Fig.	Antal Quantity	Art nr Part No	Benämning	Description	Anmärkning Notes
24	1	1134-2390-01	Ratt	Steering wheel	



Utgåva Issue 41 - 2014		Sits Seat			
Pos. Fig.	Antal Quantity	Art nr Part No	Benämning	Description	Anmärkning Notes
1	1	1134-2541-01	Sits Suburban Sa 10314	Seat	
2	2	1134-2961-01	Sitsadapter 5-01 24	Seat Adapter	
3	2	9898-0820-16	Skruv	Screw	
4	4	9988-3616-16	Skruv	Screw	
5	4	9675-0017-02	Låsbricka	Starlock	
6	1	1134-3618-01	Sitsfäste Kpl. 5-01 14	Seat Attachment-R.H.	
10	1	1134-3618-02	Sitsfäste Kpl. 5-01 14	Seat Attachment-L.H.	
11	2	9699-0062-02	Bricka	Washer	
12	2	1134-1711-01	Knopp	Knob	
13	1	1134-1652-01	Fjäder	Spring	
14	1	1134-0050-00	Sitsstång	Seat Rod	
18	2	1134-1650-01	Parallellstag5-01 F24	Tie Bar	
20	1	1134-0493-00	Mutter	Nut	
21	1	1134-0015-00	Sitsfjäder	Seat spring	
28	1	1134-2846-01	Rör	Tube	
30	1	1134-1883-01	Axel	Axle	
31	1	1134-0022-00	Reglagestång	Control Rod	
32	2	9672-0004-02			
36	1	1134-2163-01	Spännstång Kpl.	Rod	
37	1	1134-2166-01	Distans	Spacer	
48	1	1134-2454-01	Axel	Shaft	
49	2	9672-0006-02	Starlock	Lock washer	
50	1	1134-2847-01	Mellanstag	Shaft	



Utgåva Issue 41 - 2014		Redskapslyft Lifting Device			
Pos. Fig.	Antal Quantity	Art nr Part No	Benämning	Description	Anmärkning Notes
999	1	1134-0410-08	röds kapslyft Smstpark	Lifting Device Assy	

code	pos.	q.ty	page								
9699-0056-02	57	2	p. 17	9997-0616-16	62	2	p. 23	224413	1006	1	p. 5
9699-0060-02	77	1	p. 31	9997-0670-12	66	1	p. 17	224502	37	1	p. 3
9699-0062-02	11	2	p. 37	9997-0812-02	40	1	p. 19	224517	468	1	p. 5
9699-0062-02	53	2	p. 23	9997-0835-12	2	3	p. 19	224545	306	1	p. 3
9699-0087-02	8	3	p. 17	9997-0835-12	2	3	p. 19	224546	646	1	p. 7
9699-0109-02	43	1	p. 23	9997-0840-16	2	3	p. 19	224666	108	1	p. 7
9699-0114-02	49	1	p. 33	9997-0840-16	41	2	p. 29	224668	130	1	p. 7
9739-0531-22	31	1	p. 33	9997-0845-12	41	2	p. 29	224723	729	1	p. 9
9739-0531-22	53	4	p. 29	9997-0845-12	41	2	p. 29	231058	225	1	p. 3
9739-0531-22	57	2	p. 29	9997-0850-16	34	1	p. 23	231082	592	1	p. 5
9739-0631-22	30	2	p. 27	9997-0865-12	3	1	p. 19	231218	871	1	p. 5
9739-0631-22	61	2	p. 23	9997-0865-12	20	4	p. 29	231597	552	1	p. 5
9739-0831-22	1	3	p. 23	9997-0865-12	54	1	p. 23	231789	104	1	p. 7
9739-0831-22	1	4	p. 19	9997-1030-16	12	1	p. 29	231794	147	1	p. 7
9739-0831-22	10	1	p. 19	9997-1030-16	28	1	p. 23	231794	147	1	p. 7
9739-0831-22	14	8	p. 17	9997-1030-16	28	1	p. 23	231854	106	1	p. 7
9739-0831-22	19	4	p. 29	9997-1070-12	93	1	p. 25	231855	105	1	p. 7
9739-0831-22	24	1	p. 29	9997-1450-16	32	1	p. 23	260924	27	2	p. 3
9739-0831-22	29	1	p. 19	19203	363	1	p. 5	261463	869	1	p. 5
9739-0831-22	30	1	p. 29	26828	36	1	p. 3	261961	871	1	p. 5
9739-0831-22	58	1	p. 19	27803	9	1	p. 3	262243	1020	1	p. 5
9739-0831-22	61	2	p. 29	65906	35	1	p. 3	262246	33	1	p. 3
9739-0831-22	72	1	p. 31	66538	635	1	p. 5	262247	34	1	p. 3
9739-0831-22	73	2	p. 31	68838	524	1	p. 5	262248	45	2	p. 3
9747-0531-02	36	2	p. 33	92284	332	1	p. 5	262766	216	1	p. 7
9747-0631-02	67	1	p. 17	92613	562	1	p. 5	262767	201	1	p. 3
9747-0831-02	41	1	p. 19	93053	601	2	p. 7	262784	209	1	p. 3
9747-0831-02	42	2	p. 29	93306	614	1	p. 5	262785	232	1	p. 3
9794-5131-02	15	2	p. 33	93307	615	1	p. 5	262803	618	1	p. 7
9799-1031-02	11	1	p. 29	93496	657	1	p. 5	262932	741	1	p. 5
9799-1031-02	31	1	p. 23	93621	482	2	p. 7	270920	842	1	p. 5
9847-8016-16	19	1	p. 23	93705	346	2	p. 5	271866	7	1	p. 3
9849-8009-16	13	2	p. 33	94003	310	2	p. 7	271916	12	1	p. 3
9849-8013-16	26	2	p. 17	94010	965	2	p. 9	272465	51	1	p. 7
9849-8013-16	77	2	p. 21	94073	423	2	p. 7	272477	535	1	p. 7
9849-8032-16	27	2	p. 17	94073	663	2	p. 5	272554	52	1	p. 7
9898-0820-16	3	2	p. 37	94098	95	2	p. 7	280104	783	1	p. 9
9942-0612-16	15	2	p. 17	94160	1021	1	p. 5	280687	1005	1	p. 5
9942-0612-16	19	2	p. 19	94239	15	1	p. 3	280848	668	1	p. 5
9942-0816-16	20	18	p. 17	94288	896	1	p. 9	281051	171	1	p. 7
9942-0816-16	64	2	p. 25	94593	761	2	p. 5	281105	872	1	p. 9
9942-0820-16	22	1	p. 29	94616	123	2	p. 7	281106	537	1	p. 7
9942-0820-16	27	1	p. 29	94620	663	1	p. 7	281159	729	1	p. 5
9959-0612-16	29	2	p. 27	94621	10	2	p. 3	281164	138	1	p. 7
9959-0816-16	11	1	p. 19	94622	13	9	p. 3	281165	137	1	p. 7
9959-0816-16	21	4	p. 17	94623	307	1	p. 5	281166	987	1	p. 9
9959-0816-16	28	1	p. 19	94624	22	6	p. 3	281168	634	1	p. 7
9959-0816-16	60	2	p. 29	94626	78	3	p. 3	281246	11	1	p. 3
9959-0816-16	74	2	p. 31	94627	188	3	p. 3	281346	93	1	p. 7
9959-0820-16	23	1	p. 29	94627	728	2	p. 9	291675	20	1	p. 3
9959-0820-16	23	4	p. 17	94637	53	2	p. 7	292260	41	1	p. 3
9959-0820-16	29	1	p. 29	94642	955	1	p. 9	298090	240	1	p. 7
9959-0820-16	33	1	p. 23	94671	32	2	p. 3	298909	759	1	p. 5
9959-1020-16	33	1	p. 17	94704	284	1	p. 7	299691	28	1	p. 3
9959-1025-16	31	1	p. 17	94729	224	1	p. 7	390837	544	1	p. 7
9959-1025-16	45	1	p. 23	94731	334	2	p. 7	391086	3	1	p. 3
9987-5016-16	78	1	p. 31	94742	230	1	p. 3	391529	887	1	p. 9
9987-5338-12	2	1	p. 29	94786	305	4	p. 3	391780	26	1	p. 3
9987-5338-12	56	1	p. 23	212897	46	1	p. 3	392134	726	1	p. 9
9988-3616-16	4	4	p. 37	213316	870	1	p. 5	393422	878	1	p. 9
9988-3632-12	8	2	p. 19	213819	164	1	p. 7	393814	877	1	p. 9
9997-0520-16	30	1	p. 33	213998	757	1	p. 5	393815	187	1	p. 7
9997-0520-16	35	2	p. 33	221535	265	1	p. 3	394661	25	1	p. 3
9997-0520-16	56	2	p. 29	221596	40	1	p. 3	394805	309	1	p. 7
				221798	851	1	p. 9	394856	801	1	p. 9
				222561	455	1	p. 5	395537	802	1	p. 9
				222698	24	1	p. 3	395538	311	4	p. 7
				224061	75	1	p. 3	398003	513	1	p. 7

