



## ***Reservdelskatalog Parts Catalogue***

# ***PARK 121M***

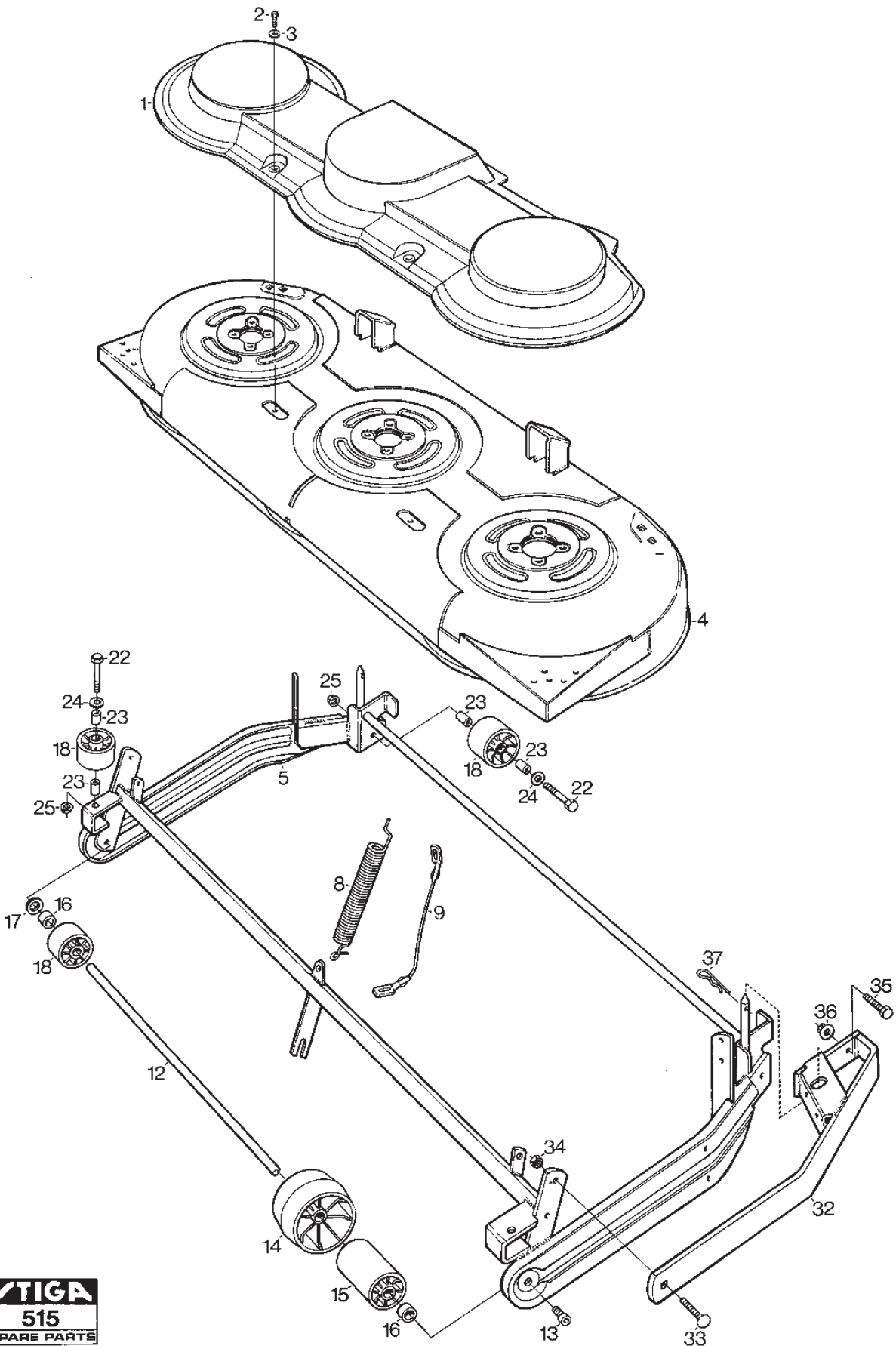
***13-2914-13 - Season 1994***

- Use GLOBAL GARDEN PRODUCT Genuine Spare Parts specified in the parts list for repair and/or replacement.
  - The contents described in the parts list may change due to improvement.
  - The drawings of the spare parts are only indicative and might not represent the part in question exactly.
  - The indications "right" - "left" - "front" - "rear" refer to the position of the operator when using the machine.
- When placing orders of parts for repair and/or replacement, make sure that the illustrated parts list is the one applying to the machine's year of manufacture, as shown on the identification plate attached to the machine.

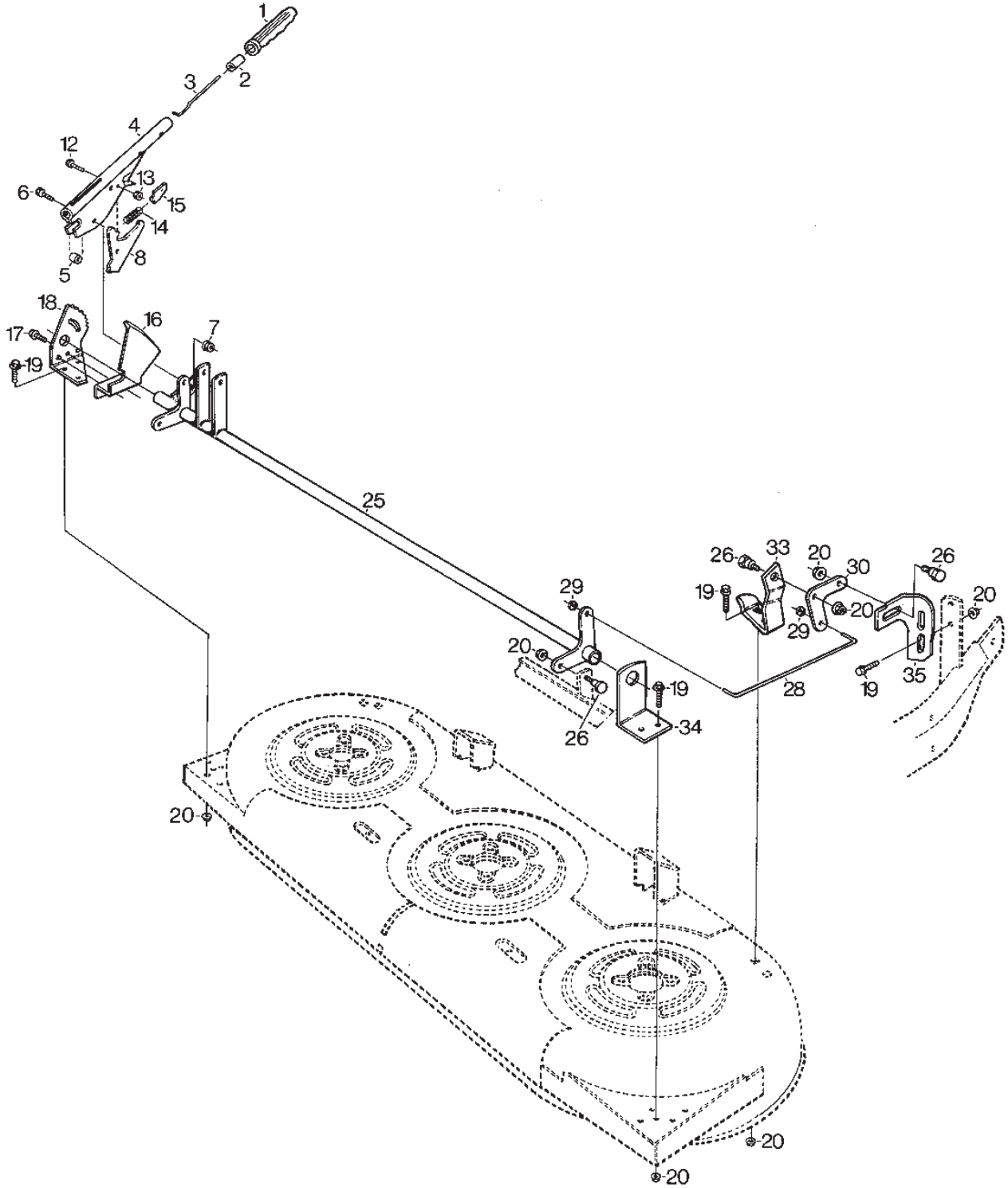
© Copyright 2014 Global Garden Products

All rights reserved. No part of this material may be reproduced or transmitted, in any form or by any means, electronic or mechanical, including photocopying, recording or by any information storage and retrieval system, without permission in writing from GLOBAL GARDEN PRODUCTS.

*[www.stiga.com](http://www.stiga.com)*



Utgåva Issue 41 - 2014		Ram Mower Deck 121M Rahmen			
Pos. Fig.	Antal Quantity	Art nr Part No	Benämning	Description	Anmärkning Notes
0	1	13-2914-13	Klippaggregat kpl	Mowing unit assy	ANSI
1	1	1134-3435-01	Transmissionskåpa	Transmission Cover	
2	2	9997-0620-16	Skruv	Screw	
3	2	9699-0100-02	Bricka	Flat washer	
4	1	1134-3432-01	1134-3681-01+1134-3678-01	1134-3681-01+1134-3678-01	
5	1	1134-3433-01	Ram Kpl.	Frame-Mower Deck	
8	1	1134-2535-01	Fjäder	Spring	
9	1	1134-2314-02	Wire	Lift Cable	
12	1	1134-0304-06	Axel F Stödrullar	Shaft	
13	2	9935-1020-16	Skruv	Screw	
14	3	1134-2405-01	Stödhjul	Casing Wheel	
15	11	1134-2406-01	Rulle 5-01	Guard Roller	
16	3	1134-3047-01	Distans	Spacer	
17	1	9699-0104-02	Bricka	Washer	
18	5	1134-3434-01	Rulle	Roller	
22	4	9997-1060-12	Skruv	Screw	
23	8	1134-0041-02	Bussning	Bushing	
24	4	9699-0030-02	Bricka	Washer	
25	4	9739-1031-22	Mutter	Nut	
32	2	1134-3424-01	Aggregatfäste Kpl 5-01 04	Attaching Bar	
33	2	9898-1035-16	Skruv	Screw	
34	2	9747-1031-02	Mutter   Låsmutter	Nut	
35	2	9997-1035-16	Skruv	Screw	
36	2	9739-1031-22	Mutter	Nut	
37	2	9598-0003-02			



Utgåva Issue 41 - 2014		Reglage Mower Deck 121M Controls			
Pos. Fig.	Antal Quantity	Art nr Part No	Benämning	Description	Anmärkning Notes
0	1	13-2914-13	Klippaggregat kpl	Mowing unit assy	ANSI
1	1	9406-0006-00	Handtag 01.100.026 Faca	Handle	
2	1	1134-3051-01	Låsratt	Locking Knob	
3	1	1134-3041-01	Reglagestång	Control Rod	
4	1	1134-3039-01	Höjdinställningsspak	Lever, Height Adjustment	
5	1	1134-2427-01	Distans	Spacer	
6	1	9997-0825-16	Skruv	Screw	
7	1	9747-0831-02	Mutter   Låsmutter	Nut	
8	1	1134-3010-01	Låsegment	Locking Quadrant	
12	1	9997-0620-16	Skruv	Screw	
13	1	9747-0631-02	Mutter   Låsmutter	Nut	
14	1	1134-3262-01	Fjäder	Spring	
15	1	1134-3009-01	Låskil	Locking Key	
16	1	1134-3026-02	Höjdivisningsplåt	Height Adjusting Plate	
17	1	9942-0816-16	Skruv	Screw	
18	1	1134-3011-01	Höjdsegment	Height Adjusting Plate	
19	13	9959-0820-16	Skruv	Screw	
20	19	9739-0831-22	Mutter	Nut	
25	1	1134-3430-01	Parallellaxel Kpl	Shaft	
26	6	1134-0240-00	Skruv	Screw	
28	2	1134-1833-02	Stag För Höjdinst	Rod	
29	4	9675-0012-02	Starlock	Locking washer	
30	2	1134-2907-03	Pivotplatta 5-01 24	Pivoting Plate	
33	1	1134-3016-01	Fäste	Bracket	Ej ill/not ill.
33	1	1134-3016-01	Fäste	Bracket	Ej ill/not ill.
33	1	1134-3016-02	Fäste	Bracket	
33	1	1134-3016-02	Fäste	Bracket	
34	1	1134-2411-01	Fäste	Bracket	
35	1	1134-3015-01	Justerstag-Hö	Adjusting Bracket-Rh	Ej ill/not ill.
35	1	1134-3015-01	Justerstag-Hö	Adjusting Bracket-Rh	Ej ill/not ill.
35	1	1134-3015-02	Justerstag-Vä	Adjusting Bracket-Lh	
35	1	1134-3015-02	Justerstag-Vä	Adjusting Bracket-Lh	



Utgåva Issue 41 - 2014		Knivar	Mower Deck 121M Blades		
Pos. Fig.	Antal Quantity	Art nr Part No	Benämning	Description	Anmärkning Notes
0	1	13-2914-13	Klippaggregat kpl	Mowing unit assy	ANSI
1	2	1134-3014-01	Remspännare 5-01 24	Belt Tensioner	
2	4	9959-0820-16	Skruv	Screw	
3	4	9739-0831-22	Mutter	Nut	
4	2	1134-3696-01	Lagerbox Kpl. Ema	Bearing Box Assy	
5	1	9549-0019-00	Kullager	Ball Bearing	
6	1	1134-0051-05	Distans	Spacer	
7	1	9549-0020-00	Kullager	Ball Bearing	
8	1	1134-3695-01	Knivaxel	Blade Shaft	
9	1	1134-0400-01	Bricka	Washer	
12	1	1134-3696-02	Lagerbox Kpl. Ema	Bearing Box Assy	
13	1	9549-0019-00	Kullager	Ball Bearing	
14	1	1134-0051-05	Distans	Spacer	
15	1	9549-0020-00	Kullager	Ball Bearing	
16	1	1134-3695-02	Knivaxel	Blade Shaft	
17	1	1134-0400-01	Bricka	Washer	
22	3	1134-2082-01	Knivfäste	Blade Holder	
22	1	1134-9000-01	Knivfäste	Blade Holder	
22	3	1134-2082-01	Knivfäste	Blade Holder	
22	1	1134-9000-01	Knivfäste	Blade Holder	
23	3	1134-0323-00	Plattkil	Key	
24	3	9991-1024-19	Skruv	Screw	
25	6	9959-0830-16	Skruv	Screw	
26	6	9739-0831-22	Mutter	Nut	
27	3	1134-9038-01	Mulcherkniv	Mulching Blade	
28	12	9942-0816-16	Skruv	Screw	
32	1	1134-9045-01	Kilrem	V-Belt	
33	1	1134-3418-01	Remstyrning	Belt Guide	
35	1	1134-3419-01	Remskiva	Belt Pulley	
36	1	9600-0150-00	Plattkil	Key	
37	3	9958-0820-16	Skruv	Screw	
38	5	9699-0056-02	Bricka	Washer	
39	1	1134-3679-01	Kuggremskiva	Toothed Belt Pulley	
40	1	1134-3436-01	Remskiveplåt	Plate, Belt Pulley	
44	8	9699-0104-02	Bricka	Washer	
45	2	1134-3679-01	Kuggremskiva	Toothed Belt Pulley	
46	2	9997-0625-16	Skruv	Screw	
47	2	9747-0631-02	Mutter   Låsmutter	Nut	
48	2	9600-0149-00	Kil	Key	
49	2	9585-0085-00	Kuggrem	Toothed Belt	
52	3	9699-0109-02	Bricka	Washer	
53	3	1134-3544-01	Bricka	Fibre Washer	

code	pos.	q.ty	page				
13-2914-13	0	1	p. 3	9600-0149-00	48	2	p. 7
13-2914-13	0	1	p. 5	9600-0150-00	36	1	p. 7
13-2914-13	0	1	p. 7	9675-0012-02	29	4	p. 5
1134-0041-02	23	8	p. 3	9699-0030-02	24	4	p. 3
1134-0051-05	6	1	p. 7	9699-0056-02	38	5	p. 7
1134-0051-05	14	1	p. 7	9699-0100-02	3	2	p. 3
1134-0240-00	26	6	p. 5	9699-0104-02	17	1	p. 3
1134-0304-06	12	1	p. 3	9699-0104-02	44	8	p. 7
1134-0323-00	23	3	p. 7	9699-0109-02	52	3	p. 7
1134-0400-01	9	1	p. 7	9739-0831-22	3	4	p. 7
1134-0400-01	17	1	p. 7	9739-0831-22	20	19	p. 5
1134-1833-02	28	2	p. 5	9739-0831-22	26	6	p. 7
1134-2082-01	22	3	p. 7	9739-1031-22	25	4	p. 3
1134-2082-01	22	3	p. 7	9739-1031-22	36	2	p. 3
1134-2314-02	9	1	p. 3	9747-0631-02	13	1	p. 5
1134-2405-01	14	3	p. 3	9747-0631-02	47	2	p. 7
1134-2406-01	15	11	p. 3	9747-0831-02	7	1	p. 5
1134-2411-01	34	1	p. 5	9747-1031-02	34	2	p. 3
1134-2427-01	5	1	p. 5	9898-1035-16	33	2	p. 3
1134-2535-01	8	1	p. 3	9935-1020-16	13	2	p. 3
1134-2907-03	30	2	p. 5	9942-0816-16	17	1	p. 5
1134-3009-01	15	1	p. 5	9942-0816-16	28	12	p. 7
1134-3010-01	8	1	p. 5	9958-0820-16	37	3	p. 7
1134-3011-01	18	1	p. 5	9959-0820-16	2	4	p. 7
1134-3014-01	1	2	p. 7	9959-0820-16	19	13	p. 5
1134-3015-01	35	1	p. 5	9959-0830-16	25	6	p. 7
1134-3015-01	35	1	p. 5	9991-1024-19	24	3	p. 7
1134-3015-02	35	1	p. 5	9997-0620-16	2	2	p. 3
1134-3015-02	35	1	p. 5	9997-0620-16	12	1	p. 5
1134-3016-01	33	1	p. 5	9997-0625-16	46	2	p. 7
1134-3016-01	33	1	p. 5	9997-0825-16	6	1	p. 5
1134-3016-02	33	1	p. 5	9997-1035-16	35	2	p. 3
1134-3016-02	33	1	p. 5	9997-1060-12	22	4	p. 3
1134-3026-02	16	1	p. 5				
1134-3039-01	4	1	p. 5				
1134-3041-01	3	1	p. 5				
1134-3047-01	16	3	p. 3				
1134-3051-01	2	1	p. 5				
1134-3262-01	14	1	p. 5				
1134-3418-01	33	1	p. 7				
1134-3419-01	35	1	p. 7				
1134-3424-01	32	2	p. 3				
1134-3430-01	25	1	p. 5				
1134-3432-01	4	1	p. 3				
1134-3433-01	5	1	p. 3				
1134-3434-01	18	5	p. 3				
1134-3435-01	1	1	p. 3				
1134-3436-01	40	1	p. 7				
1134-3544-01	53	3	p. 7				
1134-3679-01	39	1	p. 7				
1134-3679-01	45	2	p. 7				
1134-3695-01	8	1	p. 7				
1134-3695-02	16	1	p. 7				
1134-3696-01	4	2	p. 7				
1134-3696-02	12	1	p. 7				
1134-9000-01	22	1	p. 7				
1134-9000-01	22	1	p. 7				
1134-9038-01	27	3	p. 7				
1134-9045-01	32	1	p. 7				
9406-0006-00	1	1	p. 5				
9549-0019-00	5	1	p. 7				
9549-0019-00	13	1	p. 7				
9549-0020-00	7	1	p. 7				
9549-0020-00	15	1	p. 7				
9585-0085-00	49	2	p. 7				
9598-0003-02	37	2	p. 3				