



Reservdelskatalog Parts Catalogue

PARK 121M

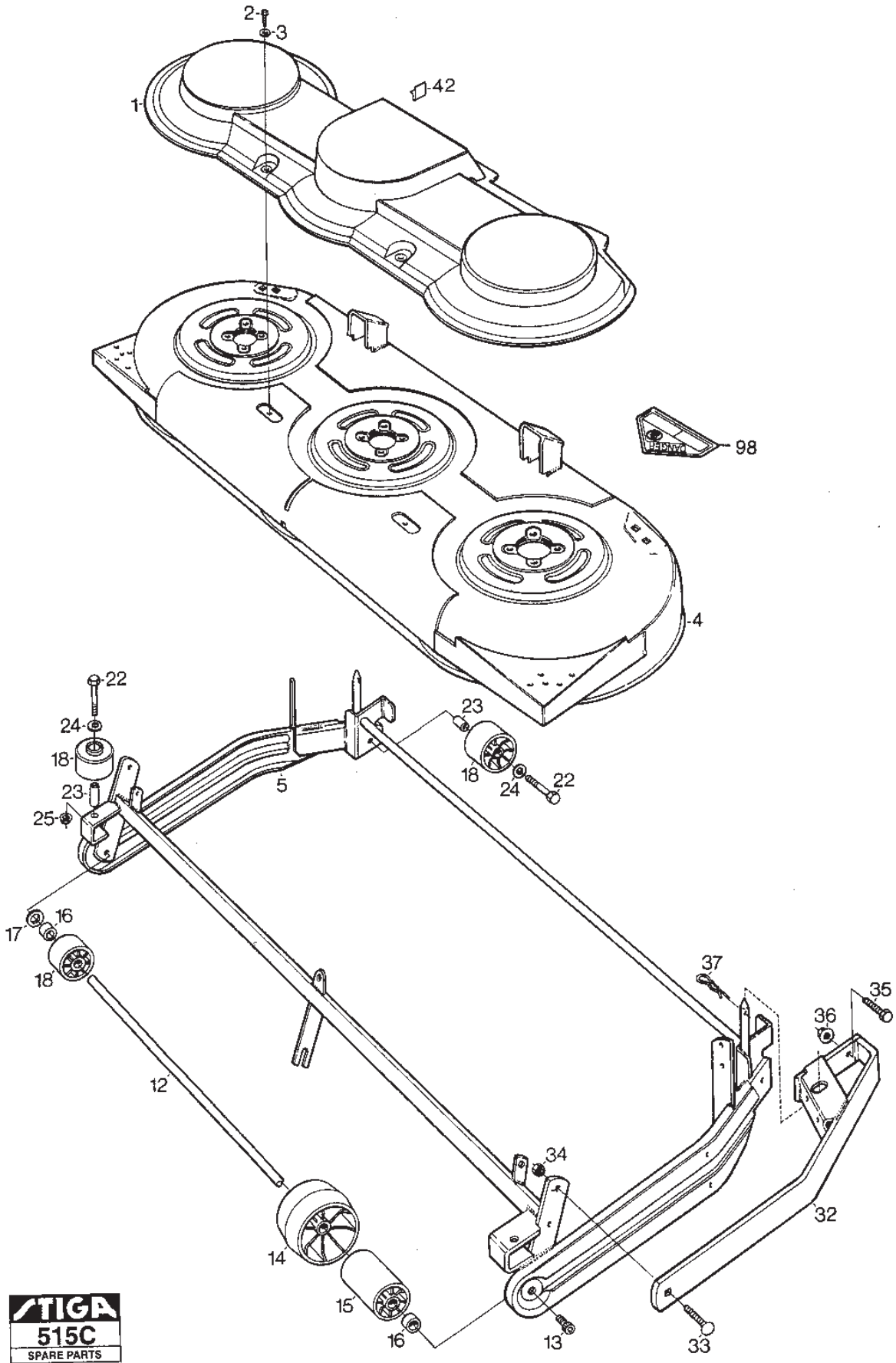
13-2915-24 - Season 2001

- Use GLOBAL GARDEN PRODUCT Genuine Spare Parts specified in the parts list for repair and/or replacement.
 - The contents described in the parts list may change due to improvement.
 - The drawings of the spare parts are only indicative and might not represent the part in question exactly.
 - The indications "right" - "left" - "front" - "rear" refer to the position of the operator when using the machine.
- When placing orders of parts for repair and/or replacement, make sure that the illustrated parts list is the one applying to the machine's year of manufacture, as shown on the identification plate attached to the machine.

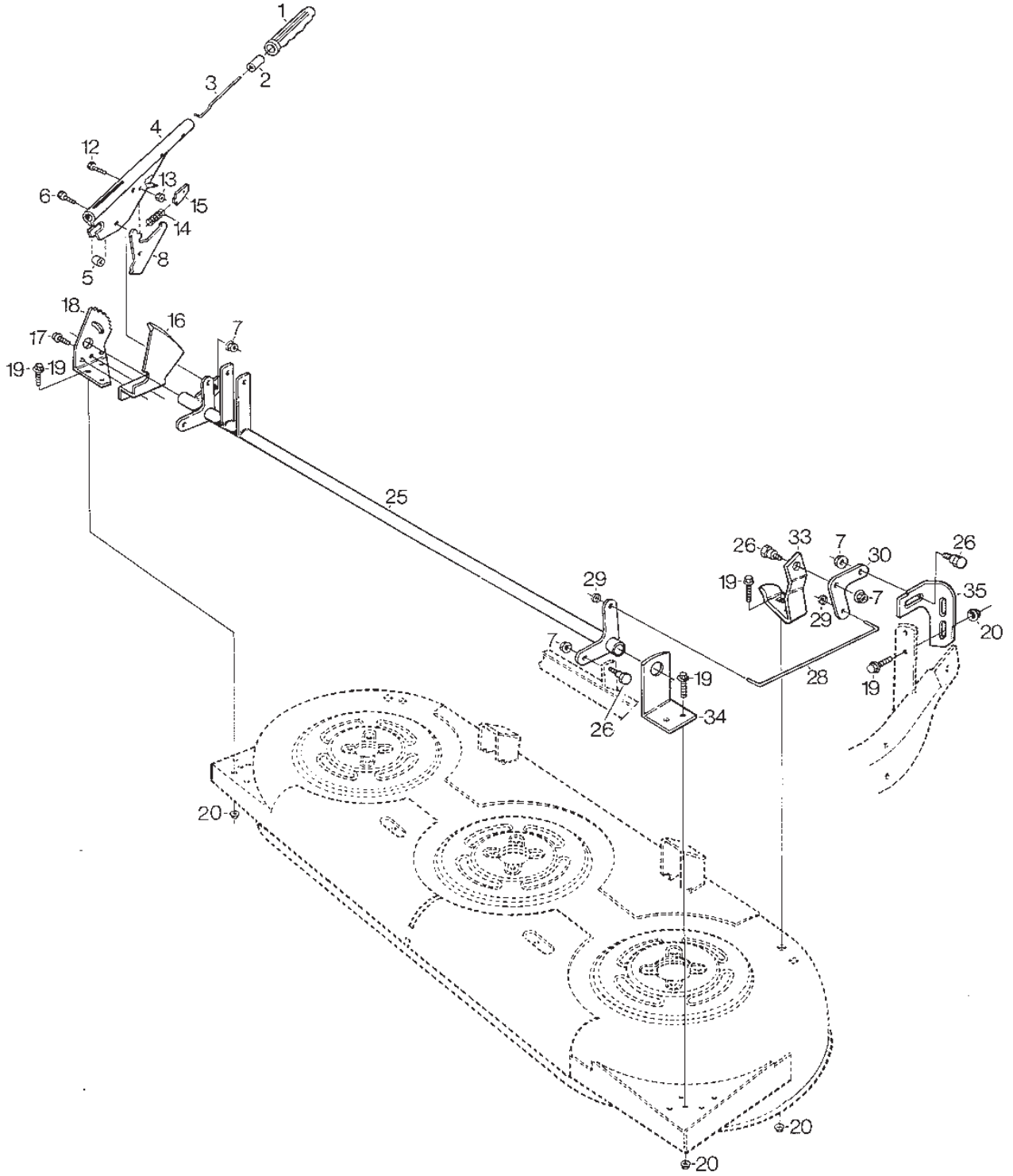
© Copyright 2014 Global Garden Products

All rights reserved. No part of this material may be reproduced or transmitted, in any form or by any means, electronic or mechanical, including photocopying, recording or by any information storage and retrieval system, without permission in writing from GLOBAL GARDEN PRODUCTS.

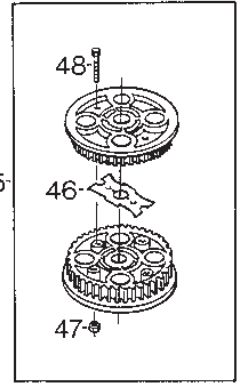
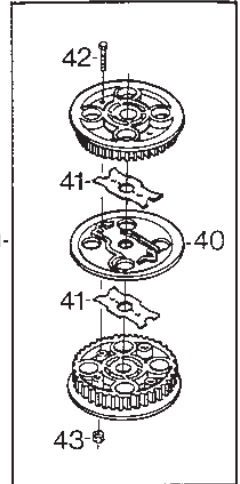
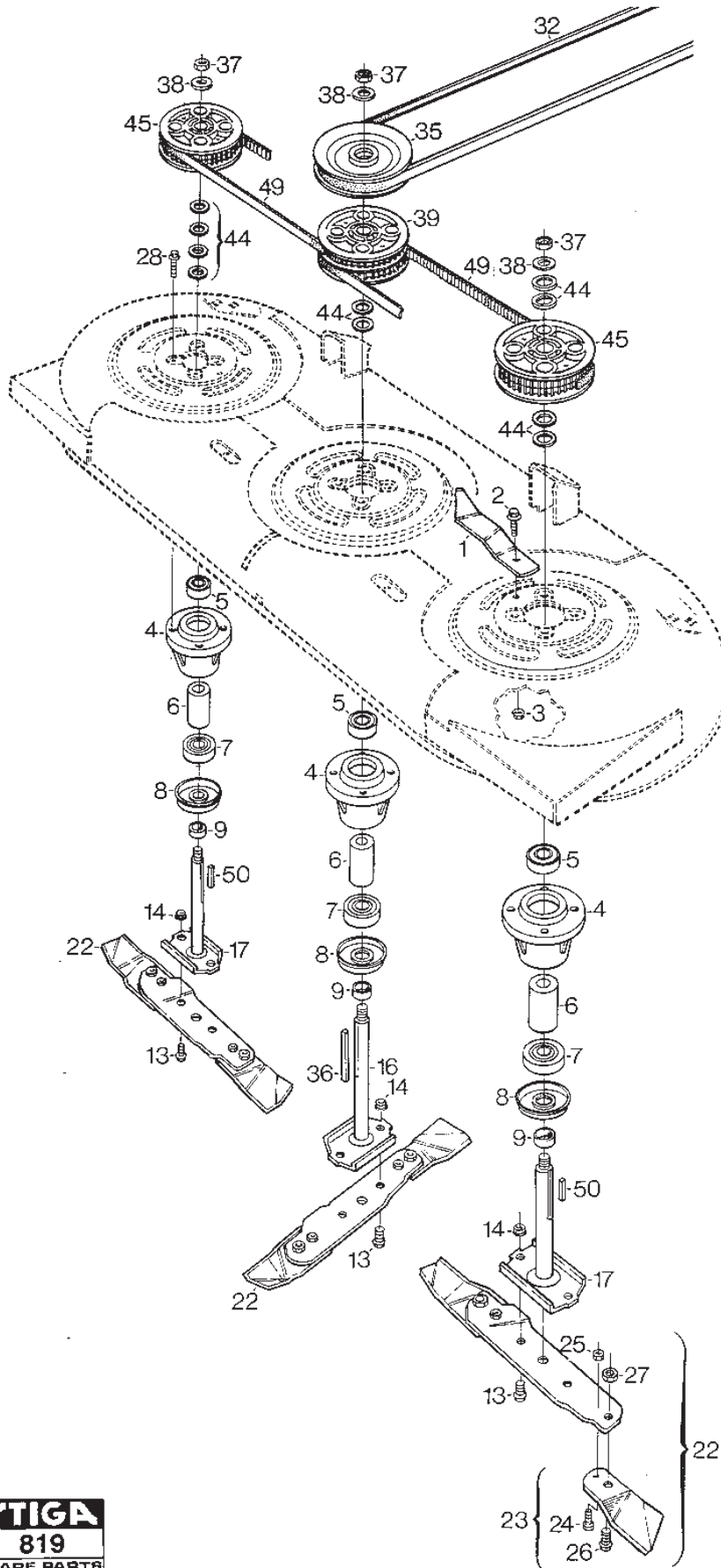
www.stiga.com



Utgåva Issue 48 - 2014		Ram Frame			
Pos. Fig.	Antal Quantity	Art nr Part No	Benämning	Description	Anmärkning Notes
1	1	1134-3678-02	Transmissionskapa7-14	Transmission Cover (Grey)	
2	2	9997-0620-16	Skruv	Screw	
3	2	9699-0100-02	Bricka	Flat washer	
4	1	1134-3681-01	Klippdäck	Cutting Deck	
5	1	1134-3433-01	Ram Kpl.	Frame-Mower Deck	
12	1	1134-0304-06	Axel F Stödrullar	Shaft	
13	2	9935-1020-16	Skruv	Screw	
14	3	1134-2405-01	Stödhjul	Casing Wheel	
15	11	1134-2406-01	Rulle	Guard Roller	
16	3	1134-3047-01	Distans	Spacer	
17	1	9699-0104-02	Bricka	Washer	
18	5	1134-3434-01	Rulle	Roller	
22	4	9997-1060-12	Skruv	Screw	
23	4	1134-0041-04	Bussning	Bushing	
24	4	9699-0030-02	Bricka	Washer	
25	2	9739-1031-22	Mutter	Nut	
32	2	1134-3424-01	Aggregatfäste Kpl 5-01 04	Attaching Bar	
33	2	9898-1035-16	Skruv	Screw	
34	2	1134-4775-01	Mutter	Nut	
35	2	9997-1035-16	Skruv	Screw	
36	2	9739-1031-22	Mutter	Nut	
37	2	9598-0003-02	Harnålssprint (Hns 4 Dubbel)	Spring Pin	
42	3	1134-3632-01	Remstyrning	Belt Guide	
98	1	9402-3124-00	Dekal	Label	
99	1	9402-3203-00	Dekal	Warning Label W.Symbols	Ej ill/not ill.



Utgåva Issue 48 - 2014		Reglage Controls			
Pos. Fig.	Antal Quantity	Art nr Part No	Benämning	Description	Anmärkning Notes
1	1	9406-0006-00	Handtag 01.100.026 Faca	Handle	
2	1	1134-3051-01	Lasratt	Locking Knob	
3	1	1134-3041-01	Reglagestang	Control Rod	
4	1	1134-3039-01	Höjdinställningsspak	Lever, Height Adjustment	
5	1	1134-2427-01	Distans	Spacer	
6	1	9997-0825-16	Skruv	Screw	
7	7	9747-0831-02	Mutter Lasmutter	Nut	
8	1	1134-3010-01	Lassegment	Locking Quadrant	
12	1	9997-0620-16	Skruv	Screw	
13	1	9747-0631-02	Mutter Lasmutter	Nut	
14	1	1134-3262-01	Fjäder	Spring	
15	1	1134-3009-01	Laskil	Locking Key	
16	1	1134-3026-02	Höjdvinsningsplat	Height Adjusting Plate	
17	1	9942-0816-16	Skruv	Screw	
17	1	9945-0816-16	Skruv	Screw	
18	1	1134-3011-01	Höjdsegment	Height Adjusting Plate	
19	13	9959-0820-16	Skruv	Screw	
20	10	9739-0831-22	Mutter	Nut	
20	13	9739-0831-22	Mutter	Nut	
25	1	1134-3430-01	Parallellaxel Kpl	Shaft	
26	6	1134-0240-00	Skruv	Screw	
28	2	1134-1833-02	Stag För Höjdinst	Rod	
29	4	9675-0012-02	Starlock	Locking washer	
30	2	1134-2907-03	Pivotplatta 5-01 24	Pivoting Plate	
33	1	1134-3016-01	Fäste	Bracket	Ej ill/not ill.
33	1	1134-3016-02	Fäste	Bracket	
34	1	1134-2411-01	Fäste	Bracket	
35	1	1134-3015-01	Justerstag-Hö	Adjusting Bracket-Rh	Ej ill/not ill.
35	1	1134-3015-02	Justerstag-Vä	Adjusting Bracket-Lh	



Utgåva Issue 48 - 2014		Transmission		Transmission	
Pos. Fig.	Antal Quantity	Art nr Part No	Benämning	Description	Anmärkning Notes
1	2	1134-3014-01	Remspännare 5-01 24	Belt Tensioner	
2	2	9959-0820-16	Skruv	Screw	
3	2	9739-0831-22	Mutter	Nut	
4	3	1134-3841-01	Lagerbox Kpl.	Bearing Box Assy	
5	1	9549-0019-00	Kullager	Ball Bearing	
6	1	1134-0051-05	Distans	Spacer	
7	1	9549-0020-00	Kullager	Ball Bearing	
8	3	1134-3768-01	Skyddsbricka	Bearing Cover	
9	3	1134-3725-01	Distans	Spacer	
13	6	9997-0820-16	Skruv	Screw	
14	6	9747-0831-02	Mutter Lasmutter	Nut	
16	1	1134-3767-02	Knivaxel	Blade Shaft	
17	2	1134-4600-01	Knivaxel	Blade Shaft	
22	1	1134-9051-01	Knivbalk Kpl (121M)	Blade Bar Assy (121M)	Sats 3 st/pkg of 3
23	3	1134-9053-01	Knivsats	Blade Kit	2 knivar/2 blade tips
24	1	1134-9054-01	Brytbultsats	Shear Bolt Kit	6 bultar/6 bolts+nuts
26	2	9997-0816-16	Skruv	Screw	
27	2	9712-0831-02	Lasmutter	Nut	
28	12	9945-0816-16	Skruv	Screw	M6SF-TT M8x16
28	12	9945-0825-16	Skruv	Screw	M6SF-TT M8x25
32	1	1134-9045-01	Kilrem	V-Belt	= 9585-0081-00
35	1	1134-3419-01	Remskiva	Belt Pulley	
36	1	1134-0323-02	Plattkil	Key	L = 54 mm
36	1	9600-0150-03	Plattkil	Key	L = 56 mm
37	3	1134-4775-01	Mutter	Nut	
37	3	9712-1031-02	Lasmutter	Nut	
38	3	9699-0030-02	Bricka	Washer	
39	1	1134-3679-02	Kuggremskiva	Toothed Belt Pulley	
40	1	1134-3598-01	Remskivsplatta	Plate-Belt Pulley	
41	2	1134-3597-01	Medbringare	Reinforcement	
42	2	9997-0630-12	Skruv	Screw	
43	2	9747-0631-02	Mutter Lasmutter	Nut	
44	10	9699-0104-02	Bricka	Washer	
45	2	1134-3679-01	Kuggremskiva	Toothed Belt Pulley	
46	1	1134-3597-01	Medbringare	Reinforcement	
47	2	9747-0631-02	Mutter Lasmutter	Nut	
48	2	9997-0625-16	Skruv	Screw	
49	2	9585-0085-00	Kuggrem	Toothed Belt	
50	2	1134-0323-01	Plattkil	Key	L = 25 mm
50	2	9600-0150-02	Plattkil	Key	L = 25 mm

code	pos.	q.ty	page				
1134-0041-04	23	4	p. 3	9712-1031-02	37	3	p. 7
1134-0051-05	6	1	p. 7	9739-0831-22	3	2	p. 7
1134-0240-00	26	6	p. 5	9739-0831-22	20	10	p. 5
1134-0304-06	12	1	p. 3	9739-0831-22	20	13	p. 5
1134-0323-01	50	2	p. 7	9739-1031-22	25	2	p. 3
1134-0323-02	36	1	p. 7	9739-1031-22	36	2	p. 3
1134-1833-02	28	2	p. 5	9747-0631-02	13	1	p. 5
1134-2405-01	14	3	p. 3	9747-0631-02	43	2	p. 7
1134-2406-01	15	11	p. 3	9747-0631-02	47	2	p. 7
1134-2411-01	34	1	p. 5	9747-0831-02	7	7	p. 5
1134-2427-01	5	1	p. 5	9747-0831-02	14	6	p. 7
1134-2907-03	30	2	p. 5	9898-1035-16	33	2	p. 3
1134-3009-01	15	1	p. 5	9935-1020-16	13	2	p. 3
1134-3010-01	8	1	p. 5	9942-0816-16	17	1	p. 5
1134-3011-01	18	1	p. 5	9945-0816-16	17	1	p. 5
1134-3014-01	1	2	p. 7	9945-0816-16	28	12	p. 7
1134-3015-01	35	1	p. 5	9945-0825-16	28	12	p. 7
1134-3015-02	35	1	p. 5	9959-0820-16	2	2	p. 7
1134-3016-01	33	1	p. 5	9959-0820-16	19	13	p. 5
1134-3016-02	33	1	p. 5	9997-0620-16	2	2	p. 3
1134-3026-02	16	1	p. 5	9997-0620-16	12	1	p. 5
1134-3039-01	4	1	p. 5	9997-0620-16	12	1	p. 5
1134-3041-01	3	1	p. 5	9997-0625-16	48	2	p. 7
1134-3047-01	16	3	p. 3	9997-0630-12	42	2	p. 7
1134-3051-01	2	1	p. 5	9997-0816-16	26	2	p. 7
1134-3262-01	14	1	p. 5	9997-0820-16	13	6	p. 7
1134-3419-01	35	1	p. 7	9997-0825-16	6	1	p. 5
1134-3424-01	32	2	p. 3	9997-1035-16	35	2	p. 3
1134-3430-01	25	1	p. 5	9997-1060-12	22	4	p. 3
1134-3433-01	5	1	p. 3				
1134-3434-01	18	5	p. 3				
1134-3597-01	41	2	p. 7				
1134-3597-01	46	1	p. 7				
1134-3598-01	40	1	p. 7				
1134-3632-01	42	3	p. 3				
1134-3678-02	1	1	p. 3				
1134-3679-01	45	2	p. 7				
1134-3679-02	39	1	p. 7				
1134-3681-01	4	1	p. 3				
1134-3725-01	9	3	p. 7				
1134-3767-02	16	1	p. 7				
1134-3768-01	8	3	p. 7				
1134-3841-01	4	3	p. 7				
1134-4600-01	17	2	p. 7				
1134-4775-01	34	2	p. 3				
1134-4775-01	37	3	p. 7				
1134-9045-01	32	1	p. 7				
1134-9051-01	22	1	p. 7				
1134-9053-01	23	3	p. 7				
1134-9054-01	24	1	p. 7				
9402-3124-00	98	1	p. 3				
9402-3203-00	99	1	p. 3				
9406-0006-00	1	1	p. 5				
9549-0019-00	5	1	p. 7				
9549-0020-00	7	1	p. 7				
9585-0085-00	49	2	p. 7				
9598-0003-02	37	2	p. 3				
9600-0150-02	50	2	p. 7				
9600-0150-03	36	1	p. 7				
9675-0012-02	29	4	p. 5				
9699-0030-02	24	4	p. 3				
9699-0030-02	38	3	p. 7				
9699-0100-02	3	2	p. 3				
9699-0104-02	17	1	p. 3				
9699-0104-02	44	10	p. 7				
9712-0831-02	27	2	p. 7				