



Reservdelskatalog Parts Catalogue

PARK 121M

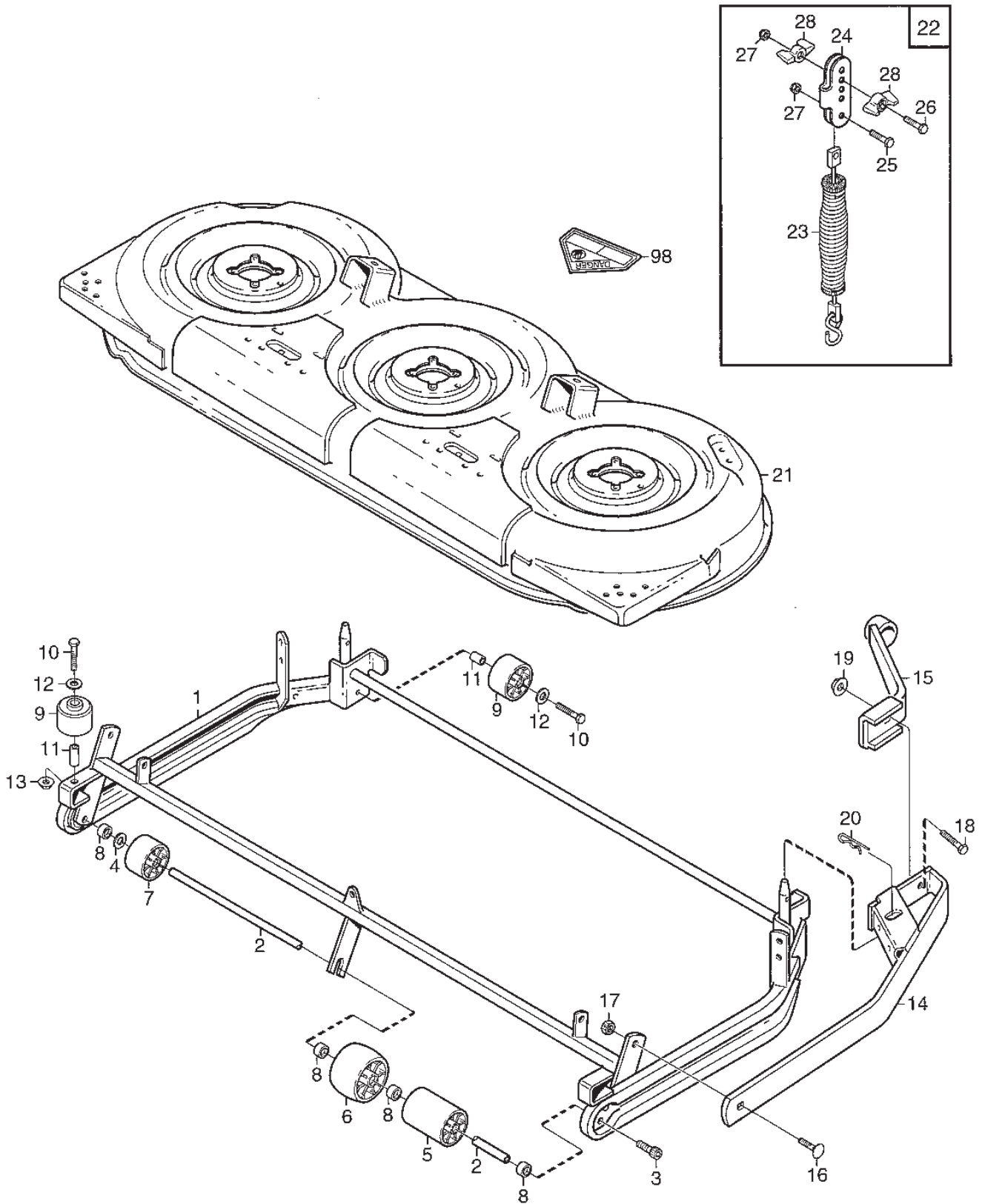
13-2915-27 - Season 2004

- Use GLOBAL GARDEN PRODUCT Genuine Spare Parts specified in the parts list for repair and/or replacement.
 - The contents described in the parts list may change due to improvement.
 - The drawings of the spare parts are only indicative and might not represent the part in question exactly.
 - The indications "right" - "left" - "front" - "rear" refer to the position of the operator when using the machine.
- When placing orders of parts for repair and/or replacement, make sure that the illustrated parts list is the one applying to the machine's year of manufacture, as shown on the identification plate attached to the machine.

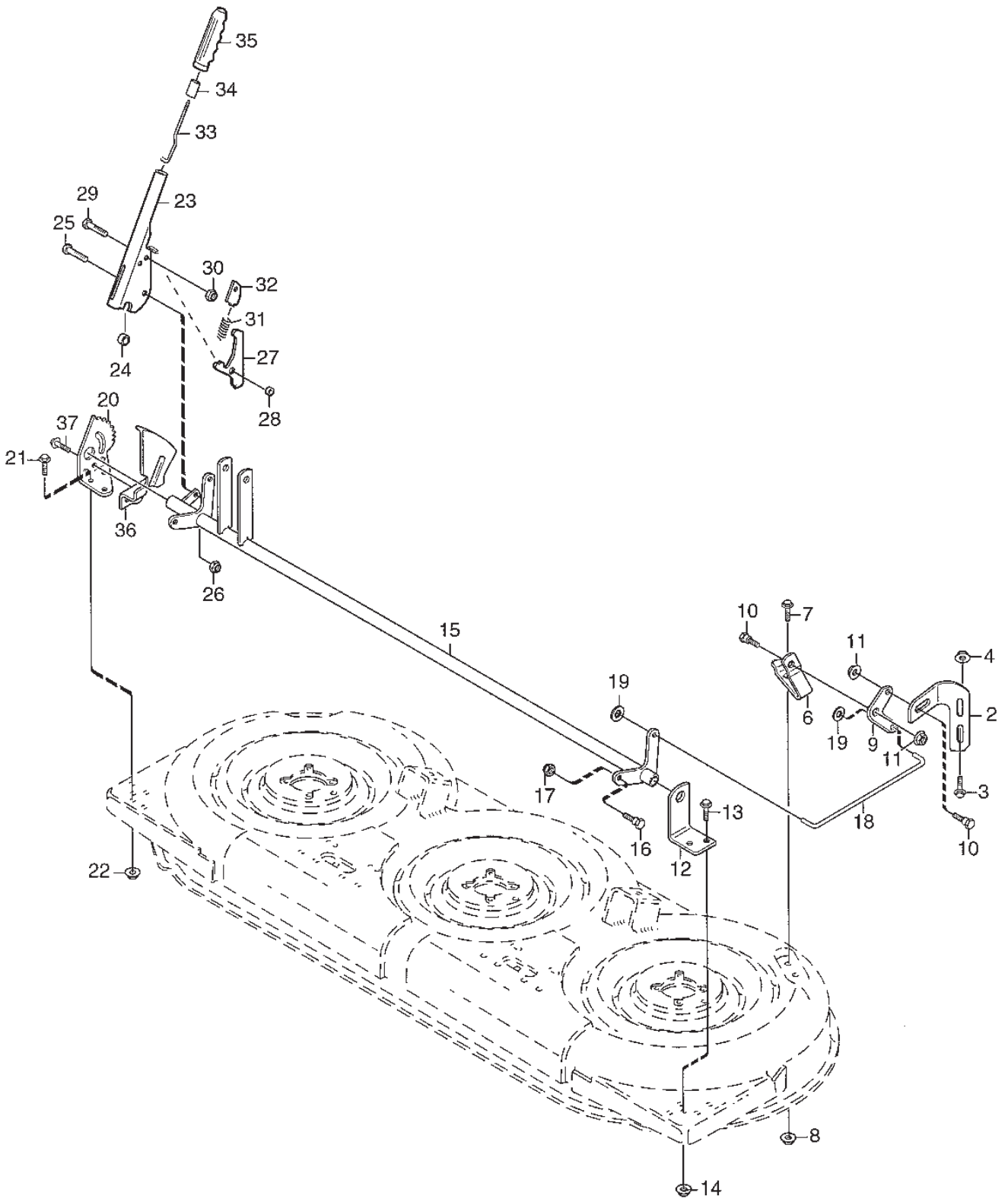
© Copyright 2004 Global Garden Products

All rights reserved. No part of this material may be reproduced or transmitted, in any form or by any means, electronic or mechanical, including photocopying, recording or by any information storage and retrieval system, without permission in writing from GLOBAL GARDEN PRODUCTS.

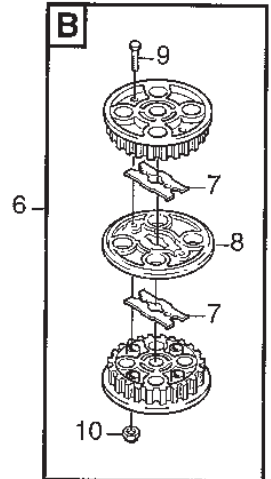
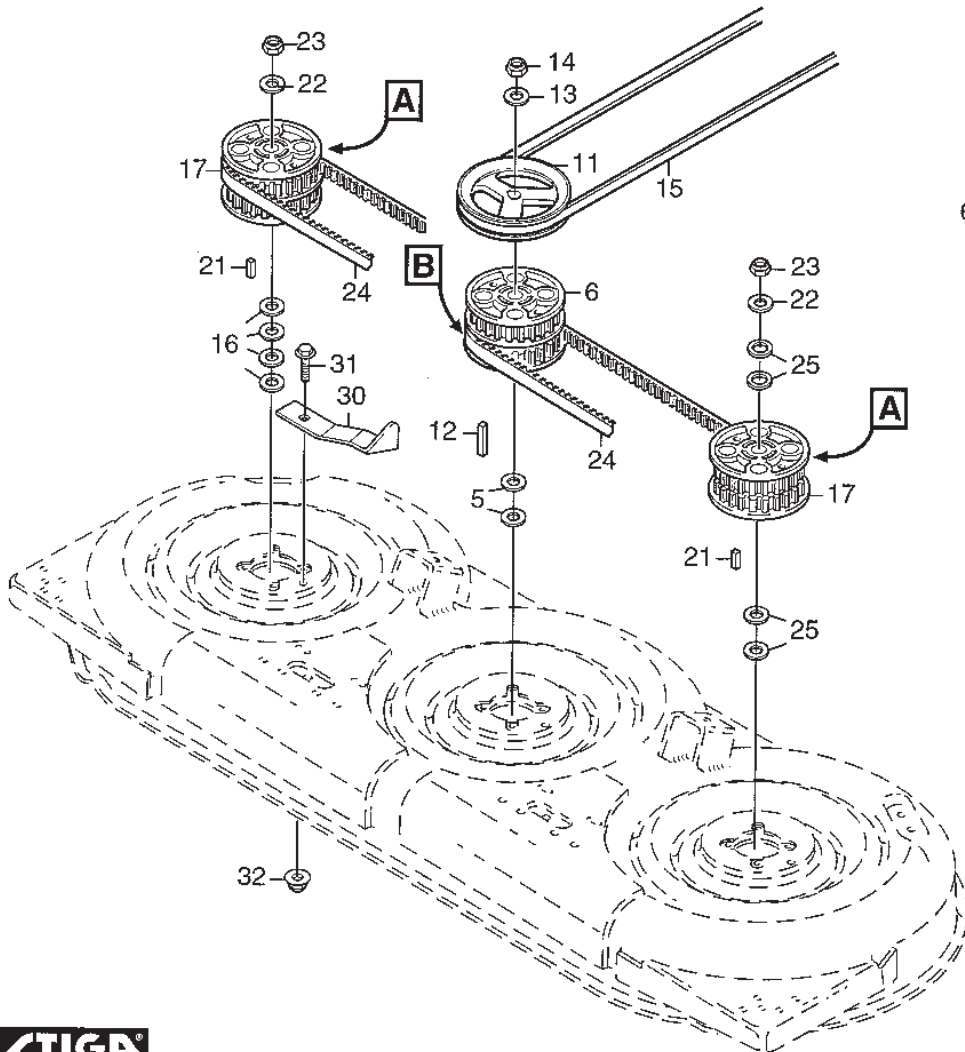
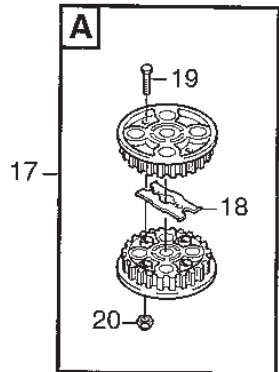
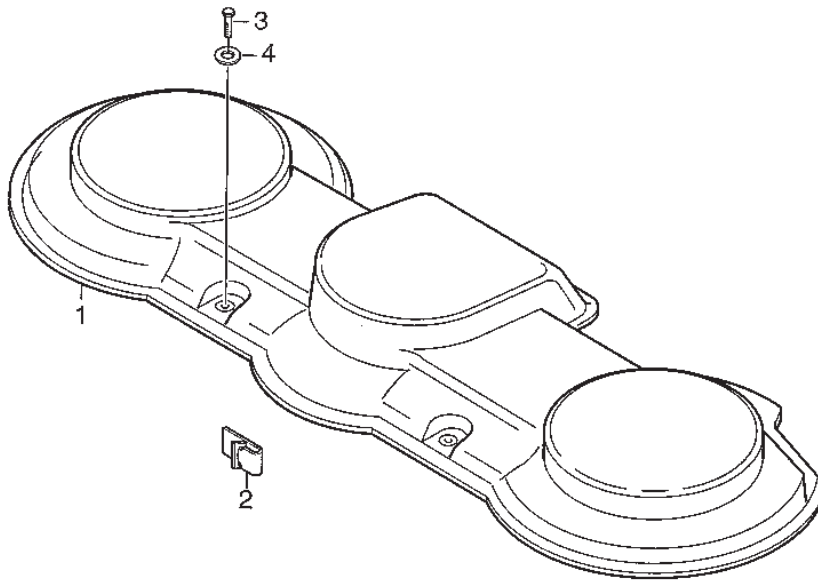
www.stiga.com



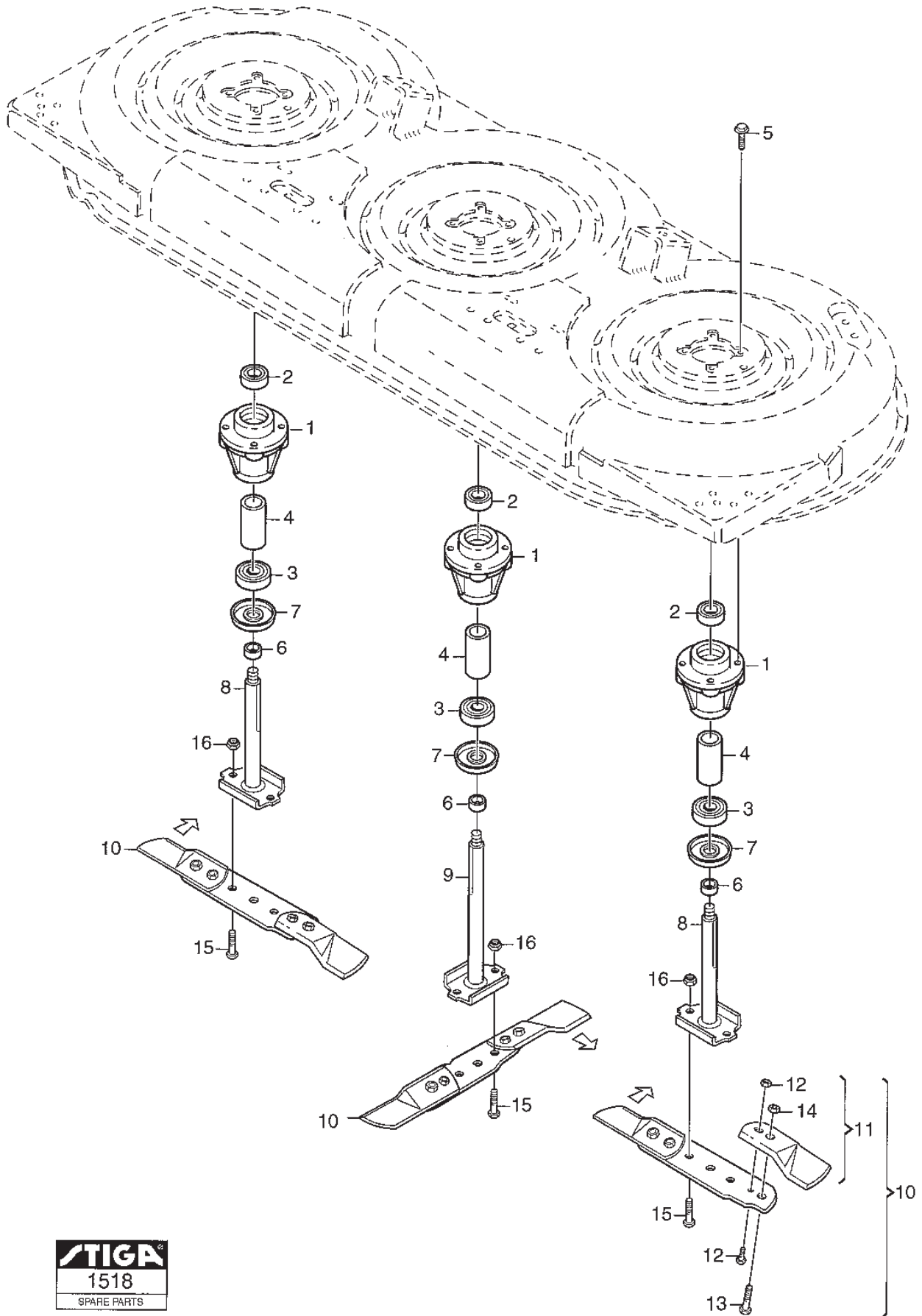
Utgåva Issue 20 - 2015		Ram Frame			
Pos. Fig.	Antal Q.ty	Art nr Part No	Benämning	Description	Anmärkning Notes
1	1	1134-3433-01	Ram Kpl.	Frame-Mower Deck	
2	1	1134-0304-06	Axel F Stödruddar	Shaft	
3	2	9935-1020-16	Skruv	Screw	
4	1	9699-0104-02	Bricka	Washer	
5	11	1134-2406-01	Rulle 5-01	Guard Roller	
6	3	1134-2405-01	Stödhjul	Casing Wheel	
7	1	1134-3434-01	Rulle	Roller	
8	3	1134-3047-01	Distans	Spacer	
9	4	1134-3434-01	Rulle	Roller	
10	4	9997-1060-12	Skruv	Screw	
11	4	1134-0041-04	Bussning	Bushing	
12	4	9699-0030-02	Bricka	Washer	
13	2	9739-1031-22	Mutter	Nut	
14	2	1134-3424-01	Aggregatfäste Kpl 5-01 04	Attaching Bar	
15	2	1134-3710-01	Fäste Kpl 5-01 15	Attachment For Accessories	
16	2	9898-1035-16	Skruv	Screw	
17	2	1134-4775-01	Mutter	Nut	
18	2	9997-1035-16	Skruv	Screw	
19	2	9739-1031-22	Mutter	Nut	
20	2	9598-0003-02	Spring Pin	Spring Pin	
21	1	1134-3681-01	Klippdäck	Cutting Deck	
22	1	1134-4688-02	Tillbehörspåse	Accessory Bag	Inkl. pos 23 - 28
23	1	1134-4574-01	Fjäder	Spring	
24	1	1134-4577-01	Fjäder	Spring	
25	1	9997-0825-16	Skruv	Screw	
26	1	9997-0835-12	Skruv	Screw	
27	2	9747-0831-02	Mutter	Nut	
28	2	1134-4481-01	Vingmutter	Wing Nut	
98	1	9402-3124-00	Dekal	Label	
99	1	9402-3203-00	Dekal	Warning Label W.Symbols	Ej ill/not ill.



Utgåva Issue 20 - 2015		Reglage		Controls	
Pos. Fig.	Antal Q.ty	Art nr Part No	Benämning	Description	Anmärkning Notes
1	1	1134-3015-01	Justerstag-Hö	Adjusting Bracket-Rh	Ej ill/not ill.
2	1	1134-3015-01	Justerstag-Hö	Adjusting Bracket-Rh	Ej ill/not ill.
2	1	1134-3015-02	Justerstag-Vä	Adjusting Bracket-Lh	
2	1	1134-3015-01	Justerstag-Hö	Adjusting Bracket-Rh	Ej ill/not ill.
2	1	1134-3015-02	Justerstag-Vä	Adjusting Bracket-Lh	
3	4	9959-0820-16	Skruv	Screw	
4	4	9739-0831-22	Mutter	Nut	
5	1	1134-5056-01	Fäste-Hö (5-01 F24)	Bracket-Rh	Ej ill/not ill.
6	1	1134-5056-01	Fäste-Hö (5-01 F24)	Bracket-Rh	Ej ill/not ill.
6	1	1134-5056-02	Fäste-Vä (5-01 F24)	Bracket-Lh	
6	1	1134-5056-01	Fäste-Hö (5-01 F24)	Bracket-Rh	Ej ill/not ill.
6	1	1134-5056-02	Fäste-Vä (5-01 F24)	Bracket-Lh	
7	4	9959-0820-16	Skruv	Screw	
8	4	9739-0831-22	Mutter	Nut	
9	2	1134-2907-03	Pivotplatta 5-01 24	Pivoting Plate	
10	4	1134-0240-00	Skruv	Screw	
11	4	9747-0831-02	Mutter	Nut	
12	1	1134-2411-01	Fäste	Bracket	
13	2	9959-0820-16	Skruv	Screw	
14	2	9739-0831-22	Mutter	Nut	
15	1	1134-3430-01	Parallellaxel Kpl	Shaft	
16	2	1134-0240-00	Skruv	Screw	
17	2	9747-0831-02	Mutter	Nut	
18	2	1134-1833-02	Stag För Höjdinst	Rod	
19	4	9675-0012-02	Starlock	Locking washer	
20	1	1134-3011-01	Höjdsegment	Height Adjusting Plate	
21	3	9959-0820-16	Skruv	Screw	
22	3	9739-0831-22	Mutter	Nut	
23	1	1134-5215-01	Höjdinställningsspak	Height Adjustment Lever	Inkl. pos 27 - 35
24	1	1134-2427-01	Distans	Spacer	
25	1	9997-0825-16	Skruv	Screw	
26	1	9747-0831-02	Mutter	Nut	
27	1	1134-3010-02	Lassegment	Locking Quadrant	
28	1	1134-5114-01	Distans	Spacer	
29	1	9997-0620-16	Skruv	Screw	
30	1	9747-0631-02	Mutter	Nut	
31	1	1134-3262-01	Fjäder	Spring	
32	1	1134-3009-01	Laskil	Locking Key	
33	1	1134-3041-01	Reglagestang	Control Rod	
34	1	1134-3051-01	Lasratt	Locking Knob	
35	1	9406-0006-00	Handtag 01.100.026 Faca	Handle	
36	1	1134-3026-02	Höjdvisningsplat	Height Adjusting Plate	
37	1	9945-0816-16	Skruv	Screw	



Utgåva Issue 20 - 2015		Transmission		Transmission	
Pos. Fig.	Antal Q.ty	Art nr Part No	Benämning	Description	Anmärkning Notes
1	1	1134-3678-02	Transmissionskapa7-14	Transmission Cover (Grey)	
1	1	1134-3678-02	Transmissionskapa7-14	Transmission Cover (Grey)	
2	3	1134-3632-01	Remstyrning	Belt Guide	
3	2	9997-0620-16	Skruv	Screw	
4	2	9699-0100-02	Bricka	Flat washer	
5	2	9699-0104-02	Bricka	Washer	
6	1	1134-3679-02	Kuggremskiva	Toothed Belt Pulley	
7	2	1134-3597-01	Medbringare	Reinforcement	
8	1	1134-3598-01	Remskivsplatta	Plate-Belt Pulley	
9	2	9997-0630-12	Skruv	Screw	
10	2	9747-0631-02	Mutter	Nut	
11	1	1134-3419-01	Remskiva	Belt Pulley	
12	1	1134-0323-02	Plattkil	Key	L = 54 mm
13	1	1134-5236-01	Bricka	Washer	
13	1	1134-5186-01	Bricka	Washer	
13	1	1134-5186-01	Bricka	Washer	
14	1	1134-4775-01	Mutter	Nut	
15	1	1134-9045-01	Kilrem	V-Belt	9504
15	1	1134-9045-01	Kilrem	V-Belt	= 9585-0081-00
16	4	9699-0104-02	Bricka	Washer	
17	2	1134-3679-01	Kuggremskiva	Toothed Belt Pulley	
18	1	1134-3597-01	Medbringare	Reinforcement	
19	2	9997-0625-16	Skruv	Screw	
20	2	9747-0631-02	Mutter	Nut	
21	2	1134-0323-01	Plattkil	Key	L = 25 mm
22	2	1134-5236-01	Bricka	Washer	
22	2	1134-5186-01	Bricka	Washer	
22	2	1134-5186-01	Bricka	Washer	
23	2	1134-4775-01	Mutter	Nut	
24	2	9585-0085-00	Kuggrem	Toothed Belt	
25	4	9699-0104-02	Bricka	Washer	
30	2	1134-3014-01	Remspännare 5-01 24	Belt Tensioner	
31	2	9959-0820-16	Skruv	Screw	
32	2	9739-0831-22	Mutter	Nut	



Utgåva Issue 20 - 2015		Knivar	Blades		
Pos. Fig.	Antal Q.ty	Art nr Part No	Benämning	Description	Anmärkning Notes
1	3	1134-3841-01	Lagerbox Kpl.	Bearing Box Assy	
2	1	9549-0019-00	Kullager	Ball Bearing	
3	1	9549-0020-00	Kullager	Ball Bearing	
4	1	1134-0051-05	Distans	Spacer	
5	12	9945-0825-16	Skruv	Screw	
6	3	1134-3725-01	Distans	Spacer	
7	3	1134-3768-01	Skyddsbricka	Bearing Cover	
7	3	1134-5130-01	Skyddsbricka	Bearing Cover	
7	3	1134-3768-01	Skyddsbricka	Bearing Cover	
7	3	1134-5130-01	Skyddsbricka	Bearing Cover	
8	2	1134-4600-01	Knivaxel	Blade Shaft	
9	1	1134-4600-02	Knivaxel	Blade Shaft	
10	1	1134-9081-01	Knivbalk Kpl (121M)	Blade Bar Assy (121M)	Sats 3 st/kit of 3
11	3	1134-9082-01	Knivsats Kpl	Blade Kit Assy	2 knivar/2 blade tips
12	1	1134-9054-01	Brytbultsats	Shear Bolt Kit	6 bultar/6 bolts+nuts
13	2	9997-0816-16	Skruv	Screw	
14	2	9712-0831-02	Lasmutter	Nut	
15	6	9997-0820-16	Skruv	Screw	
16	6	9747-0831-02	Mutter	Nut	

code	pos.	q.ty	page				
1134-0041-04	11	4	p. 3	1134-5186-01	22	2	p. 7
1134-0051-05	4	1	p. 9	1134-5186-01	22	2	p. 7
1134-0240-00	10	4	p. 5	1134-5215-01	23	1	p. 5
1134-0240-00	16	2	p. 5	1134-5236-01	13	1	p. 7
1134-0304-06	2	1	p. 3	1134-5236-01	22	2	p. 7
1134-0323-01	21	2	p. 7	1134-9045-01	15	1	p. 7
1134-0323-02	12	1	p. 7	1134-9045-01	15	1	p. 7
1134-1833-02	18	2	p. 5	1134-9054-01	12	1	p. 9
1134-2405-01	6	3	p. 3	1134-9081-01	10	1	p. 9
1134-2406-01	5	11	p. 3	1134-9082-01	11	3	p. 9
1134-2411-01	12	1	p. 5	9402-3124-00	98	1	p. 3
1134-2427-01	24	1	p. 5	9402-3203-00	99	1	p. 3
1134-2907-03	9	2	p. 5	9406-0006-00	35	1	p. 5
1134-3009-01	32	1	p. 5	9549-0019-00	2	1	p. 9
1134-3010-02	27	1	p. 5	9549-0020-00	3	1	p. 9
1134-3011-01	20	1	p. 5	9585-0085-00	24	2	p. 7
1134-3014-01	30	2	p. 7	9598-0003-02	20	2	p. 3
1134-3015-01	1	1	p. 5	9675-0012-02	19	4	p. 5
1134-3015-01	2	1	p. 5	9699-0030-02	12	4	p. 3
1134-3015-01	2	1	p. 5	9699-0100-02	4	2	p. 7
1134-3015-02	2	1	p. 5	9699-0104-02	4	1	p. 3
1134-3015-02	2	1	p. 5	9699-0104-02	5	2	p. 7
1134-3026-02	36	1	p. 5	9699-0104-02	16	4	p. 7
1134-3041-01	33	1	p. 5	9699-0104-02	25	4	p. 7
1134-3047-01	8	3	p. 3	9712-0831-02	14	2	p. 9
1134-3051-01	34	1	p. 5	9739-0831-22	4	4	p. 5
1134-3262-01	31	1	p. 5	9739-0831-22	8	4	p. 5
1134-3419-01	11	1	p. 7	9739-0831-22	14	2	p. 5
1134-3424-01	14	2	p. 3	9739-0831-22	22	3	p. 5
1134-3430-01	15	1	p. 5	9739-0831-22	32	2	p. 7
1134-3433-01	1	1	p. 3	9739-1031-22	13	2	p. 3
1134-3434-01	7	1	p. 3	9739-1031-22	19	2	p. 3
1134-3434-01	9	4	p. 3	9747-0631-02	10	2	p. 7
1134-3597-01	7	2	p. 7	9747-0631-02	20	2	p. 7
1134-3597-01	18	1	p. 7	9747-0631-02	30	1	p. 5
1134-3598-01	8	1	p. 7	9747-0831-02	11	4	p. 5
1134-3632-01	2	3	p. 7	9747-0831-02	16	6	p. 9
1134-3678-02	1	1	p. 7	9747-0831-02	17	2	p. 5
1134-3678-02	1	1	p. 7	9747-0831-02	26	1	p. 5
1134-3679-01	17	2	p. 7	9747-0831-02	27	2	p. 3
1134-3679-02	6	1	p. 7	9898-1035-16	16	2	p. 3
1134-3681-01	21	1	p. 3	9935-1020-16	3	2	p. 3
1134-3710-01	15	2	p. 3	9945-0816-16	37	1	p. 5
1134-3725-01	6	3	p. 9	9945-0825-16	5	12	p. 9
1134-3768-01	7	3	p. 9	9959-0820-16	3	4	p. 5
1134-3768-01	7	3	p. 9	9959-0820-16	7	4	p. 5
1134-3841-01	1	3	p. 9	9959-0820-16	13	2	p. 5
1134-4481-01	28	2	p. 3	9959-0820-16	21	3	p. 5
1134-4574-01	23	1	p. 3	9959-0820-16	31	2	p. 7
1134-4577-01	24	1	p. 3	9997-0620-16	3	2	p. 7
1134-4600-01	8	2	p. 9	9997-0620-16	29	1	p. 5
1134-4600-02	9	1	p. 9	9997-0625-16	19	2	p. 7
1134-4688-02	22	1	p. 3	9997-0630-12	9	2	p. 7
1134-4775-01	14	1	p. 7	9997-0816-16	13	2	p. 9
1134-4775-01	17	2	p. 3	9997-0820-16	15	6	p. 9
1134-4775-01	23	2	p. 7	9997-0825-16	25	1	p. 3
1134-5056-01	5	1	p. 5	9997-0825-16	25	1	p. 5
1134-5056-01	6	1	p. 5	9997-0835-12	26	1	p. 3
1134-5056-01	6	1	p. 5	9997-1035-16	18	2	p. 3
1134-5056-02	6	1	p. 5	9997-1060-12	10	4	p. 3
1134-5056-02	6	1	p. 5				
1134-5114-01	28	1	p. 5				
1134-5130-01	7	3	p. 9				
1134-5130-01	7	3	p. 9				
1134-5186-01	13	1	p. 7				
1134-5186-01	13	1	p. 7				