



Reservdelskatalog Parts Catalogue

PARK 122B

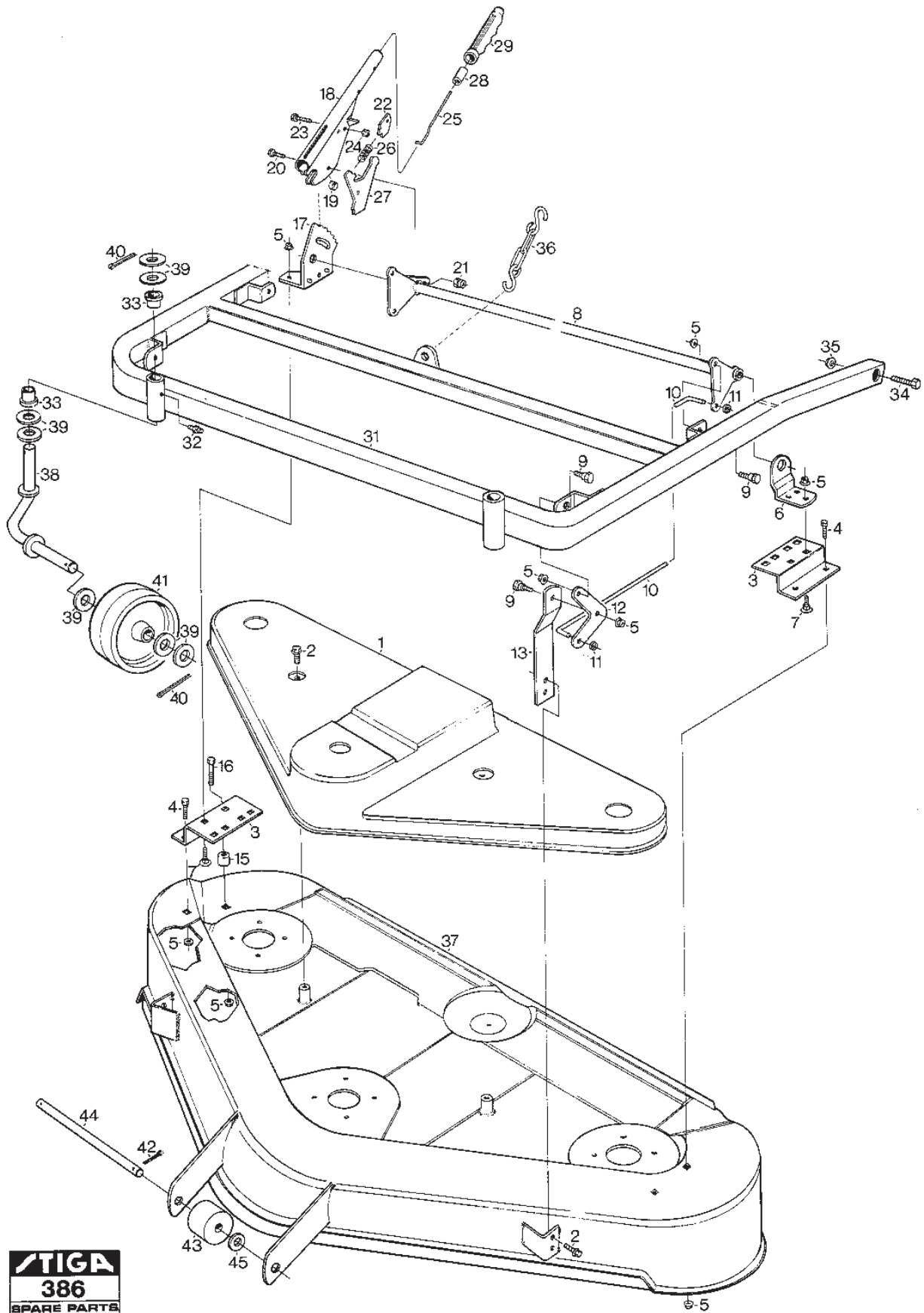
13-2971-12 - Season 1991

- Use GLOBAL GARDEN PRODUCT Genuine Spare Parts specified in the parts list for repair and/or replacement.
 - The contents described in the parts list may change due to improvement.
 - The drawings of the spare parts are only indicative and might not represent the part in question exactly.
 - The indications "right" - "left" - "front" - "rear" refer to the position of the operator when using the machine.
- When placing orders of parts for repair and/or replacement, make sure that the illustrated parts list is the one applying to the machine's year of manufacture, as shown on the identification plate attached to the machine.

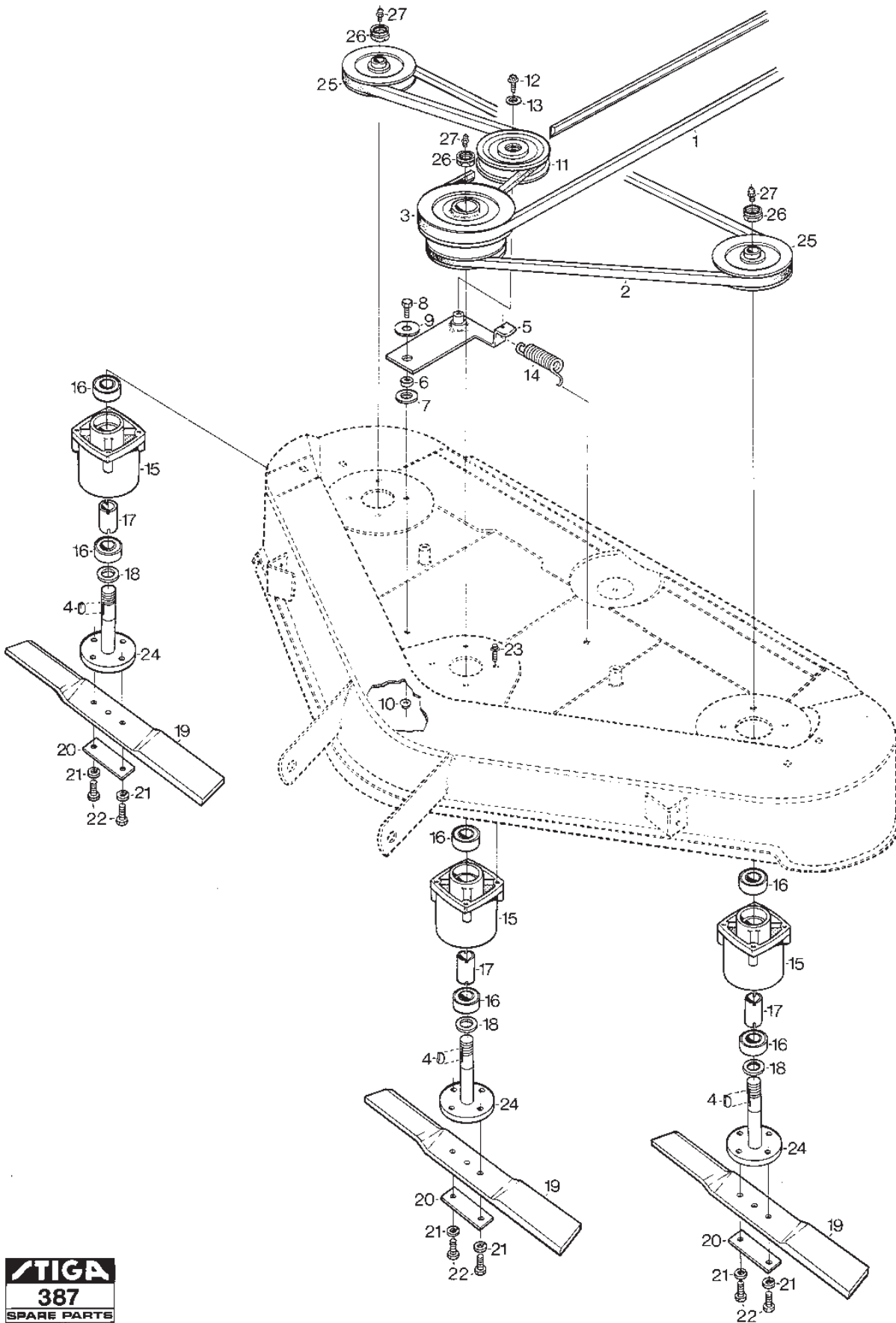
© Copyright 2014 Global Garden Products

All rights reserved. No part of this material may be reproduced or transmitted, in any form or by any means, electronic or mechanical, including photocopying, recording or by any information storage and retrieval system, without permission in writing from GLOBAL GARDEN PRODUCTS.

www.stiga.com



| Utgåva Issue 40 - 2014 | | Ram Reglage | | Mower Deck 122B Frame Controls | |
|------------------------------|---------------|-------------------|-------------------------|--------------------------------|---------------------|
| Pos. Fig. | Antal Q.ty | Art nr Part No | Benämning | Description | Anmärkning Notes |
| 0 | 1 | 13-2971-12 | Klippaggregat kpl | Mower deck assy | |
| 1 | 1 | 1134-3066-01 | Transmissionskåpa | Transmission Cover | |
| 2 | 6 | 9942-0816-16 | Skruv | Screw | |
| 3 | 2 | 1134-3060-01 | Fäste | Bracket | |
| 4 | 3 | 9997-0816-16 | Skruv | Screw | |
| 5 | 16 | 9739-0831-22 | Mutter | Nut | |
| 6 | 1 | 1134-3059-01 | Fäste | Bracket | |
| 7 | 6 | 9898-0820-16 | Skruv | Screw | |
| 8 | 1 | 1134-2513-01 | Parallellaxel Kpl | Shaft | |
| 9 | 6 | 1134-0240-00 | Skruv | Screw | |
| 10 | 2 | 1134-1833-02 | Stag För Höjdinst | Rod | |
| 11 | 4 | 9675-0012-02 | Starlock | Locking washer | |
| 12 | 2 | 1134-2907-03 | Pivotplatta 5-01 24 | Pivoting Plate | |
| 13 | 2 | 1134-2512-01 | Fäste 24 | Attachment | |
| 15 | 1 | 1134-3068-01 | Distans | Spacer | |
| 16 | 1 | 9997-0835-12 | Skruv | Screw | |
| 17 | 1 | 1134-3011-02 | Höjdsegment | Height Adjusting Plate | |
| 18 | 1 | 1134-3039-01 | Höjdinställningsspak | Lever, Height Adjustment | |
| 19 | 1 | 1134-2427-01 | Distans | Spacer | |
| 20 | 1 | 9997-0820-16 | Skruv | Screw | |
| 21 | 1 | 9747-0831-02 | Mutter Låsmutter | Nut | |
| 22 | 1 | 1134-3009-01 | Låskil | Locking Key | |
| 23 | 1 | 9997-0620-16 | Skruv | Screw | |
| 24 | 1 | 9747-0631-02 | Mutter Låsmutter | Nut | |
| 25 | 1 | 1134-3041-01 | Reglagestång | Control Rod | |
| 26 | 1 | 1134-3040-01 | Fjäder | Spring | |
| 27 | 1 | 1134-3010-01 | Låssegment | Locking Quadrant | |
| 28 | 1 | 1134-3051-01 | Låsratt | Locking Knob | |
| 29 | 1 | 9406-0006-00 | Handtag 01.100.026 Faca | Handle | |
| 31 | 1 | 1134-3058-01 | Ram Kpl 5-01 00 | Frame-Mowing Unit | |
| 32 | 2 | 9501-0500-00 | Smörjkopp Kort Rak | Grease Dispenser | |
| 33 | 4 | 1134-0068-01 | Bearing | Bearing | |
| 34 | 2 | 9997-1035-16 | Skruv | Screw | |
| 35 | 2 | 9739-1031-22 | Mutter | Nut | |
| 36 | 1 | 1134-2516-01 | Kedja | Chain | |
| 37 | 1 | 1132-0914-01 | Kåpa | Mower base | |
| 38 | 2 | 1132-0204-01 | Spindel | Spindle | |
| 39 | 14 | 9699-0042-02 | Bricka | Washer | |
| 40 | 4 | 9599-0071-02 | Saxsprint 3.2X28 | Split Pin | |
| 41 | 2 | 1132-0233-01 | Stödhjul | Gauge Wheel | |
| 42 | 1 | 1811-0122-01 | SaxSprint | Cotter Pin | |
| 43 | 4 | 1132-0888-01 | Rulle | Roller | |
| 44 | 1 | 1132-0508-01 | Rullaxel | Roller Shaft | |
| 45 | 4 | 9699-0104-02 | Bricka | Washer | |



| Utgåva Issue 40 - 2014 | | Kniv Mower Deck 122B Blades | | | |
|------------------------------|---------------|--------------------------------|-------------------|------------------|---------------------|
| Pos. Fig. | Antal Q.ty | Art nr Part No | Benämning | Description | Anmärkning Notes |
| 0 | 1 | 13-2971-12 | Klippaggregat kpl | Mower deck assy | |
| 0 | 1 | 13-2971-13 | Klippaggregat kpl | Mowing unit assy | |
| 1 | 1 | 1134-9016-01 | Kilrem | V-Belt | = 9585-0066-00 |
| 2 | 1 | 1134-9034-01 | Kilrem | V-Belt | |
| 3 | 1 | 1132-0915-01 | Dubbelremskiva | Double Sheave | |
| 4 | 3 | 9600-0050-00 | Kil | Key | |
| 5 | 1 | 1134-0325-02 | Spännarm | Tensioning Arm | |
| 6 | 1 | 1131-1684-01 | Distans | Spacer | |
| 7 | 1 | 1134-2840-02 | Bricka | Washer | |
| 8 | 1 | 9997-0820-16 | Skruv | Screw | |
| 8 | 1 | 9997-0825-16 | Skruv | Screw | |
| 8 | 1 | 9997-0820-16 | Skruv | Screw | |
| 8 | 1 | 9997-0825-16 | Skruv | Screw | |
| 9 | 1 | 9699-0109-02 | Bricka | Washer | |
| 10 | 1 | 9739-0831-22 | Mutter | Nut | |
| 11 | 1 | 1134-3053-01 | Spännrulle | Tension Roller | |
| 12 | 1 | 9942-0816-16 | Skruv | Screw | |
| 13 | 1 | 9699-0056-02 | Bricka | Washer | |
| 14 | 1 | 1134-0327-00 | Fjäder | Spring | |
| 15 | 3 | 1132-0088-01 | Lagerbox Kpl. | Spindle Housing | |
| 16 | 6 | 1132-0030-01 | Kullager | Ball Bearing | |
| 17 | 3 | 1132-0286-01 | Distans | Spacer | |
| 18 | 3 | 1132-0156-01 | Bricka | Washer | |
| 19 | 3 | 1132-0913-01 | Kniv | Cutter Blade | |
| 20 | 3 | 1132-0090-01 | Knivplåt | Plate | |
| 21 | 6 | 9683-0035-02 | Bricka | Washer | |
| 22 | 6 | 9987-5225-16 | Skruv | Screw | |
| 23 | 12 | 1811-0754-01 | Skruv | Screw | |
| 24 | 3 | 1132-0192-01 | Knivaxel | Shaft | |
| 25 | 2 | 1132-0536-01 | Remskiva | Blade Sheave | |
| 26 | 3 | 1132-0015-01 | Mutter | Nut | |
| 27 | 3 | 1811-0190-01 | Smörjnippel | Grease Fitting | |

| code | pos. | q.ty | page | | | | |
|--------------|------|------|------|--------------|----|---|------|
| 13-2971-12 | 0 | 1 | p. 3 | 9987-5225-16 | 22 | 6 | p. 5 |
| 13-2971-12 | 0 | 1 | p. 5 | 9997-0620-16 | 23 | 1 | p. 3 |
| 13-2971-13 | 0 | 1 | p. 5 | 9997-0816-16 | 4 | 3 | p. 3 |
| 1131-1684-01 | 6 | 1 | p. 5 | 9997-0820-16 | 8 | 1 | p. 5 |
| 1132-0015-01 | 26 | 3 | p. 5 | 9997-0820-16 | 8 | 1 | p. 5 |
| 1132-0030-01 | 16 | 6 | p. 5 | 9997-0820-16 | 20 | 1 | p. 3 |
| 1132-0088-01 | 15 | 3 | p. 5 | 9997-0825-16 | 8 | 1 | p. 5 |
| 1132-0090-01 | 20 | 3 | p. 5 | 9997-0825-16 | 8 | 1 | p. 5 |
| 1132-0156-01 | 18 | 3 | p. 5 | 9997-0835-12 | 16 | 1 | p. 3 |
| 1132-0192-01 | 24 | 3 | p. 5 | 9997-1035-16 | 34 | 2 | p. 3 |
| 1132-0204-01 | 38 | 2 | p. 3 | | | | |
| 1132-0233-01 | 41 | 2 | p. 3 | | | | |
| 1132-0286-01 | 17 | 3 | p. 5 | | | | |
| 1132-0508-01 | 44 | 1 | p. 3 | | | | |
| 1132-0536-01 | 25 | 2 | p. 5 | | | | |
| 1132-0888-01 | 43 | 4 | p. 3 | | | | |
| 1132-0913-01 | 19 | 3 | p. 5 | | | | |
| 1132-0914-01 | 37 | 1 | p. 3 | | | | |
| 1132-0915-01 | 3 | 1 | p. 5 | | | | |
| 1134-0068-01 | 33 | 4 | p. 3 | | | | |
| 1134-0240-00 | 9 | 6 | p. 3 | | | | |
| 1134-0325-02 | 5 | 1 | p. 5 | | | | |
| 1134-0327-00 | 14 | 1 | p. 5 | | | | |
| 1134-1833-02 | 10 | 2 | p. 3 | | | | |
| 1134-2427-01 | 19 | 1 | p. 3 | | | | |
| 1134-2512-01 | 13 | 2 | p. 3 | | | | |
| 1134-2513-01 | 8 | 1 | p. 3 | | | | |
| 1134-2516-01 | 36 | 1 | p. 3 | | | | |
| 1134-2840-02 | 7 | 1 | p. 5 | | | | |
| 1134-2907-03 | 12 | 2 | p. 3 | | | | |
| 1134-3009-01 | 22 | 1 | p. 3 | | | | |
| 1134-3010-01 | 27 | 1 | p. 3 | | | | |
| 1134-3011-02 | 17 | 1 | p. 3 | | | | |
| 1134-3039-01 | 18 | 1 | p. 3 | | | | |
| 1134-3040-01 | 26 | 1 | p. 3 | | | | |
| 1134-3041-01 | 25 | 1 | p. 3 | | | | |
| 1134-3051-01 | 28 | 1 | p. 3 | | | | |
| 1134-3053-01 | 11 | 1 | p. 5 | | | | |
| 1134-3058-01 | 31 | 1 | p. 3 | | | | |
| 1134-3059-01 | 6 | 1 | p. 3 | | | | |
| 1134-3060-01 | 3 | 2 | p. 3 | | | | |
| 1134-3066-01 | 1 | 1 | p. 3 | | | | |
| 1134-3068-01 | 15 | 1 | p. 3 | | | | |
| 1134-9016-01 | 1 | 1 | p. 5 | | | | |
| 1134-9034-01 | 2 | 1 | p. 5 | | | | |
| 1811-0122-01 | 42 | 1 | p. 3 | | | | |
| 1811-0190-01 | 27 | 3 | p. 5 | | | | |
| 1811-0754-01 | 23 | 12 | p. 5 | | | | |
| 9406-0006-00 | 29 | 1 | p. 3 | | | | |
| 9501-0500-00 | 32 | 2 | p. 3 | | | | |
| 9599-0071-02 | 40 | 4 | p. 3 | | | | |
| 9600-0050-00 | 4 | 3 | p. 5 | | | | |
| 9675-0012-02 | 11 | 4 | p. 3 | | | | |
| 9683-0035-02 | 21 | 6 | p. 5 | | | | |
| 9699-0042-02 | 39 | 14 | p. 3 | | | | |
| 9699-0056-02 | 13 | 1 | p. 5 | | | | |
| 9699-0104-02 | 45 | 4 | p. 3 | | | | |
| 9699-0109-02 | 9 | 1 | p. 5 | | | | |
| 9739-0831-22 | 5 | 16 | p. 3 | | | | |
| 9739-0831-22 | 10 | 1 | p. 5 | | | | |
| 9739-1031-22 | 35 | 2 | p. 3 | | | | |
| 9747-0631-02 | 24 | 1 | p. 3 | | | | |
| 9747-0831-02 | 21 | 1 | p. 3 | | | | |
| 9898-0820-16 | 7 | 6 | p. 3 | | | | |
| 9942-0816-16 | 2 | 6 | p. 3 | | | | |
| 9942-0816-16 | 12 | 1 | p. 5 | | | | |