



Reservdelskatalog Parts Catalogue

PARK 122B

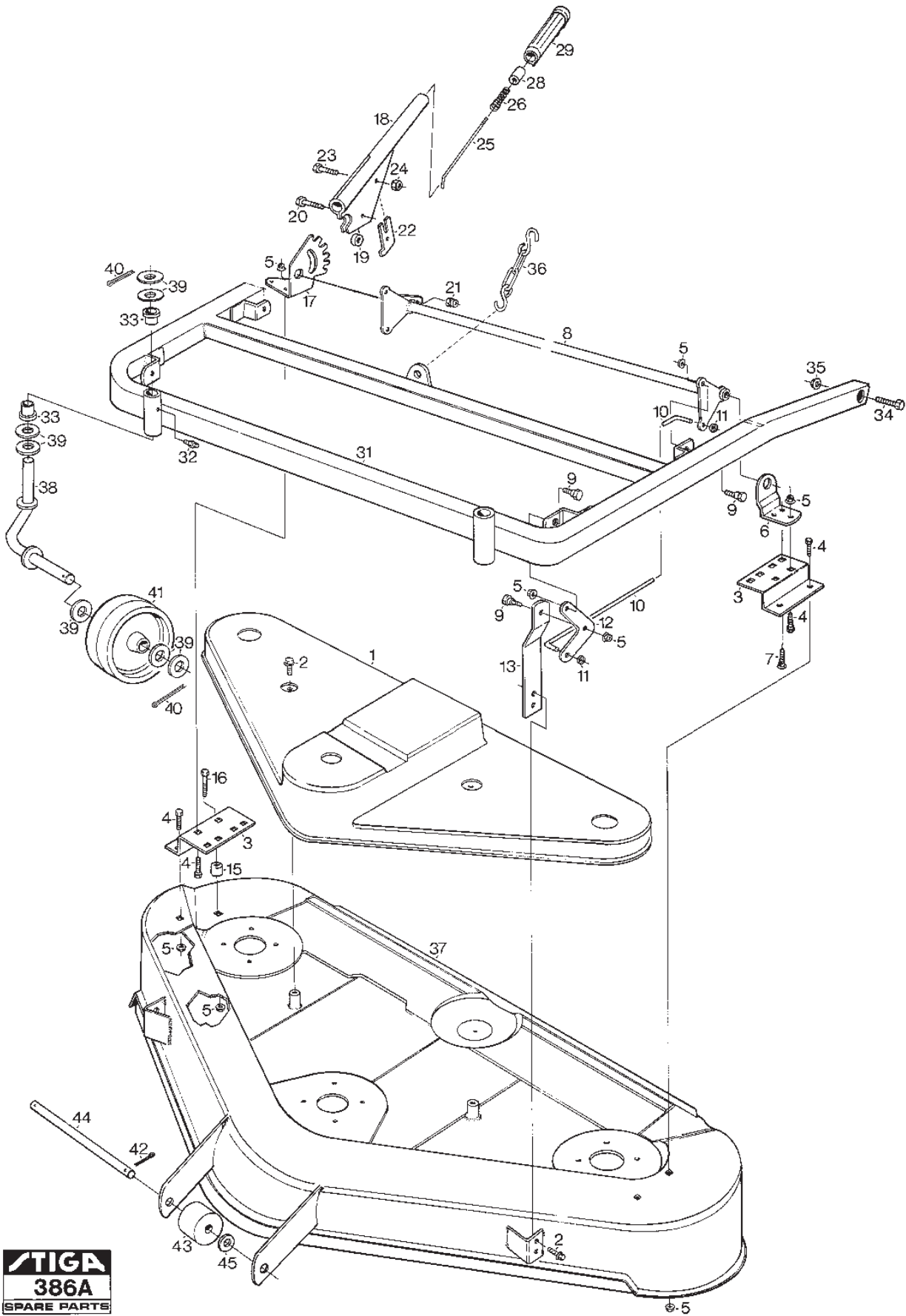
13-2971-12 - Season 1992

- Use GLOBAL GARDEN PRODUCT Genuine Spare Parts specified in the parts list for repair and/or replacement.
 - The contents described in the parts list may change due to improvement.
 - The drawings of the spare parts are only indicative and might not represent the part in question exactly.
 - The indications "right" - "left" - "front" - "rear" refer to the position of the operator when using the machine.
- When placing orders of parts for repair and/or replacement, make sure that the illustrated parts list is the one applying to the machine's year of manufacture, as shown on the identification plate attached to the machine.

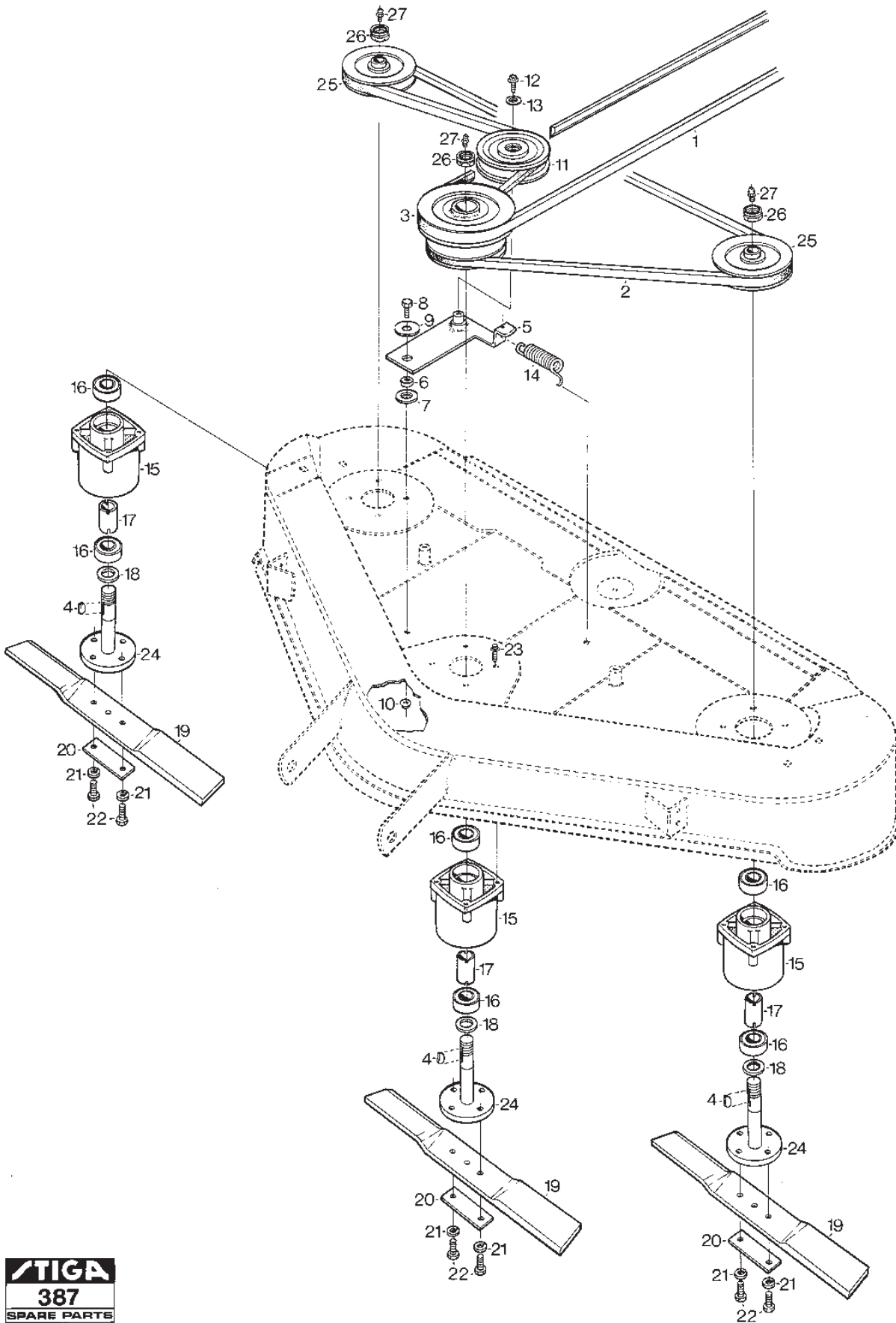
© Copyright 2014 Global Garden Products

All rights reserved. No part of this material may be reproduced or transmitted, in any form or by any means, electronic or mechanical, including photocopying, recording or by any information storage and retrieval system, without permission in writing from GLOBAL GARDEN PRODUCTS.

www.stiga.com



Utgåva Issue 36 - 2014		Ram Reglage		Mower Deck 122B Frame Controls	
Pos. Fig.	Antal Q.ty	Art nr Part No	Benämning	Description	Anmärkning Notes
11	4	9675-0012-02	Starlock	Locking washer	
0	1	13-2971-12	Klippaggregat kpl	Mower deck assy	
0	1	13-2971-13	Klippaggregat kpl	Mowing unit assy	
38	2	1132-0204-01	Spindel	Spindle	
41	2	1132-0233-01	Stödhjul	Gauge Wheel	
44	1	1132-0508-01	Rullaxel	Roller Shaft	
43	4	1132-0888-01	Rulle	Roller	
37	1	1132-0914-01	Kåpa	Mower base	
33	4	1134-0068-01	Bearing	Bearing	
9	6	1134-0240-00	Skruv	Screw	
10	2	1134-1833-02	Stag För Höjdinst	Rod	
26	1	1134-2398-01	Fjäder	Spring	
17	1	1134-2425-02	Höjdsegment	Quadrant	
19	1	1134-2427-01	Distans	Spacer	
13	2	1134-2512-01	Fäste 24	Attachment	
8	1	1134-2513-01	Parallellaxel Kpl	Shaft	
36	1	1134-2516-01	Kedja	Chain	
22	1	1134-2748-01	Stoppssegment	Locking Plate	
25	1	1134-2749-01	Reglagestång	Control Rod	
12	2	1134-2907-03	Pivotplatta 5-01 24	Pivoting Plate	
18	1	1134-3039-01	Höjdinställningsspak	Lever, Height Adjustment	
28	1	1134-3051-01	Lås ratt	Locking Knob	
31	1	1134-3058-01	Ram Kpl 5-01 00	Frame-Mowing Unit	
6	1	1134-3059-01	Fäste	Bracket	
3	2	1134-3060-01	Fäste	Bracket	
1	1	1134-3066-01	Transmissionskåpa	Transmission Cover	
15	1	1134-3068-01	Distans	Spacer	
42	1	1811-0122-01	SaxSprint	Cotter Pin	
29	1	9406-0006-00	Handtag 01.100.026 Faca	Handle	
32	2	9501-0500-00	Smörjkopp Kort Rak	Grease Dispenser	
40	4	9599-0071-02	Saxsprint 3.2X28	Split Pin	
39	14	9699-0042-02	Bricka	Washer	
45	4	9699-0104-02	Bricka	Washer	
5	16	9739-0831-22	Mutter	Nut	
35	2	9739-1031-22	Mutter	Nut	
24	1	9747-0631-02	Mutter Låsmutter	Nut	
21	1	9747-0831-02	Mutter Låsmutter	Nut	
7	4	9898-0820-16	Skruv	Screw	
2	6	9942-0816-16	Skruv	Screw	
23	1	9997-0620-16	Skruv	Screw	
4	5	9997-0816-16	Skruv	Screw	
20	1	9997-0825-16	Skruv	Screw	
16	1	9997-0835-12	Skruv	Screw	
34	2	9997-1035-16	Skruv	Screw	



Utgåva Issue 36 - 2014		Kniv Mower Deck 122B Blades			
Pos. Fig.	Antal Q.ty	Art nr Part No	Benämning	Description	Anmärkning Notes
0	1	13-2971-12	Klippaggregat kpl	Mower deck assy	
0	1	13-2971-13	Klippaggregat kpl	Mowing unit assy	
6	1	1131-1684-01	Distans	Spacer	
26	3	1132-0015-01	Mutter	Nut	
16	6	1132-0030-01	Kullager	Ball Bearing	
15	3	1132-0088-01	Lagerbox Kpl.	Spindle Housing	
20	3	1132-0090-01	Knivplåt	Plate	
18	3	1132-0156-01	Bricka	Washer	
24	3	1132-0192-01	Knivaxel	Shaft	
17	3	1132-0286-01	Distans	Spacer	
25	2	1132-0536-01	Remskiva	Blade Sheave	
19	3	1132-0913-01	Kniv	Cutter Blade	
3	1	1132-0915-01	Dubbelremskiva	Double Sheave	
5	1	1134-0325-02	Spännarm	Tensioning Arm	
14	1	1134-0327-00	Fjäder	Spring	
7	1	1134-2840-02	Bricka	Washer	
11	1	1134-3053-01	Spännrulle	Tension Roller	
1	1	1134-9016-01	Kilrem	V-Belt	= 9585-0066-00
2	1	1134-9034-01	Kilrem	V-Belt	
27	3	1811-0190-01	Smörjnippel	Grease Fitting	
23	12	1811-0754-01	Skruv	Screw	
4	3	9600-0050-00	Kil	Key	
21	6	9683-0035-02	Bricka	Washer	
13	1	9699-0056-02	Bricka	Washer	
9	1	9699-0109-02	Bricka	Washer	
10	1	9739-0831-22	Mutter	Nut	
12	1	9942-0816-16	Skruv	Screw	
22	6	9987-5225-16	Skruv	Screw	
8	1	9997-0820-16	Skruv	Screw	
8	1	9997-0825-16	Skruv	Screw	
8	1	9997-0825-16	Skruv	Screw	

code	pos.	q.ty	page				
13-2971-12	0	1	p. 3	9987-5225-16	22	6	p. 5
13-2971-12	0	1	p. 5	9997-0620-16	23	1	p. 3
13-2971-13	0	1	p. 3	9997-0816-16	4	5	p. 3
13-2971-13	0	1	p. 5	9997-0820-16	8	1	p. 5
1131-1684-01	6	1	p. 5	9997-0825-16	8	1	p. 5
1132-0015-01	26	3	p. 5	9997-0825-16	8	1	p. 5
1132-0030-01	16	6	p. 5	9997-0825-16	20	1	p. 3
1132-0088-01	15	3	p. 5	9997-0835-12	16	1	p. 3
1132-0090-01	20	3	p. 5	9997-1035-16	34	2	p. 3
1132-0156-01	18	3	p. 5				
1132-0192-01	24	3	p. 5				
1132-0204-01	38	2	p. 3				
1132-0233-01	41	2	p. 3				
1132-0286-01	17	3	p. 5				
1132-0508-01	44	1	p. 3				
1132-0536-01	25	2	p. 5				
1132-0888-01	43	4	p. 3				
1132-0913-01	19	3	p. 5				
1132-0914-01	37	1	p. 3				
1132-0915-01	3	1	p. 5				
1134-0068-01	33	4	p. 3				
1134-0240-00	9	6	p. 3				
1134-0325-02	5	1	p. 5				
1134-0327-00	14	1	p. 5				
1134-1833-02	10	2	p. 3				
1134-2398-01	26	1	p. 3				
1134-2425-02	17	1	p. 3				
1134-2427-01	19	1	p. 3				
1134-2512-01	13	2	p. 3				
1134-2513-01	8	1	p. 3				
1134-2516-01	36	1	p. 3				
1134-2748-01	22	1	p. 3				
1134-2749-01	25	1	p. 3				
1134-2840-02	7	1	p. 5				
1134-2907-03	12	2	p. 3				
1134-3039-01	18	1	p. 3				
1134-3051-01	28	1	p. 3				
1134-3053-01	11	1	p. 5				
1134-3058-01	31	1	p. 3				
1134-3059-01	6	1	p. 3				
1134-3060-01	3	2	p. 3				
1134-3066-01	1	1	p. 3				
1134-3068-01	15	1	p. 3				
1134-9016-01	1	1	p. 5				
1134-9034-01	2	1	p. 5				
1811-0122-01	42	1	p. 3				
1811-0190-01	27	3	p. 5				
1811-0754-01	23	12	p. 5				
9406-0006-00	29	1	p. 3				
9501-0500-00	32	2	p. 3				
9599-0071-02	40	4	p. 3				
9600-0050-00	4	3	p. 5				
9675-0012-02	11	4	p. 3				
9683-0035-02	21	6	p. 5				
9699-0042-02	39	14	p. 3				
9699-0056-02	13	1	p. 5				
9699-0104-02	45	4	p. 3				
9699-0109-02	9	1	p. 5				
9739-0831-22	5	16	p. 3				
9739-0831-22	10	1	p. 5				
9739-1031-22	35	2	p. 3				
9747-0631-02	24	1	p. 3				
9747-0831-02	21	1	p. 3				
9898-0820-16	7	4	p. 3				
9942-0816-16	2	6	p. 3				
9942-0816-16	12	1	p. 5				