



Reservdelskatalog Parts Catalogue

PARK 122B

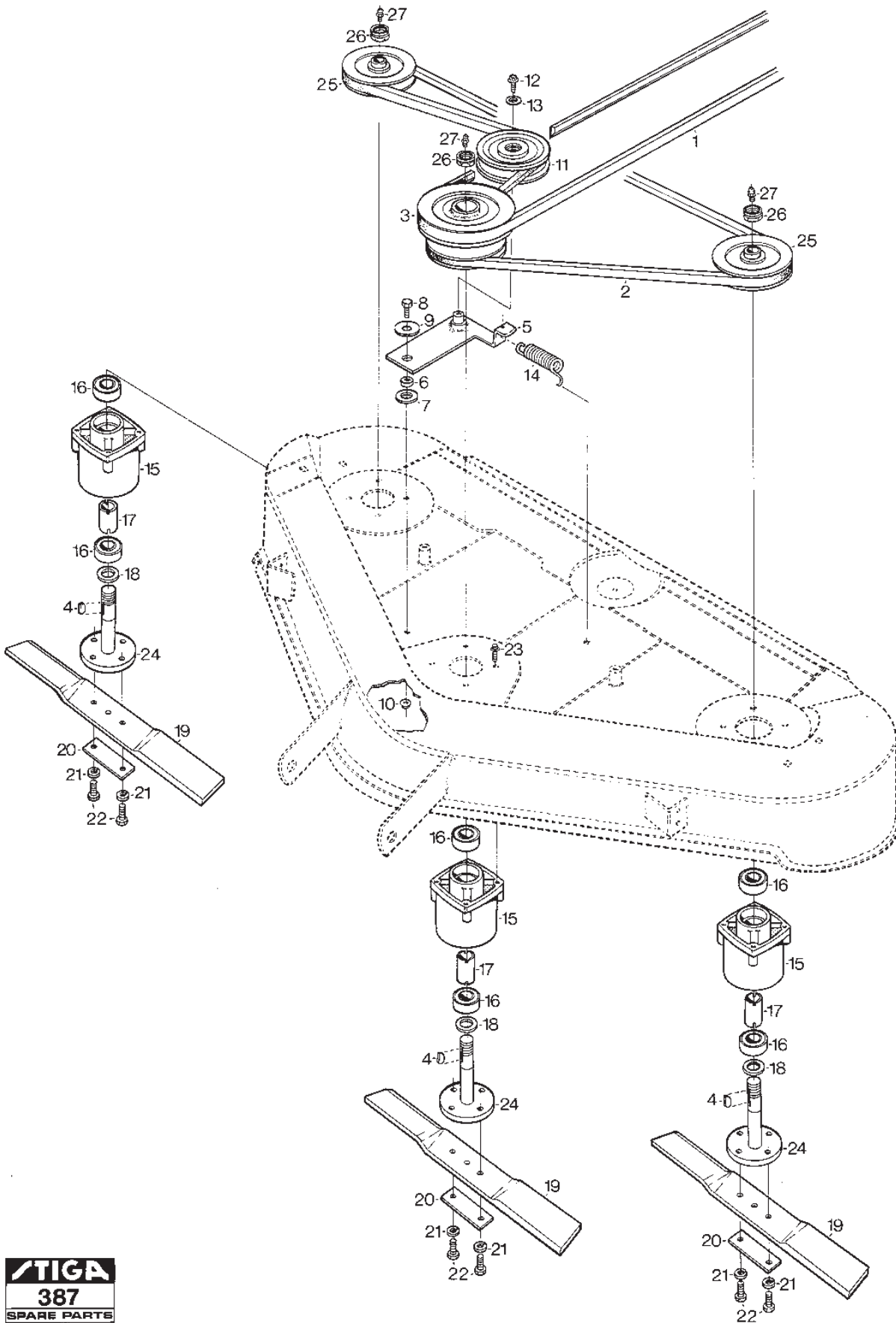
13-2971-13 - Season 1994

- Use GLOBAL GARDEN PRODUCT Genuine Spare Parts specified in the parts list for repair and/or replacement.
 - The contents described in the parts list may change due to improvement.
 - The drawings of the spare parts are only indicative and might not represent the part in question exactly.
 - The indications "right" - "left" - "front" - "rear" refer to the position of the operator when using the machine.
- When placing orders of parts for repair and/or replacement, make sure that the illustrated parts list is the one applying to the machine's year of manufacture, as shown on the identification plate attached to the machine.

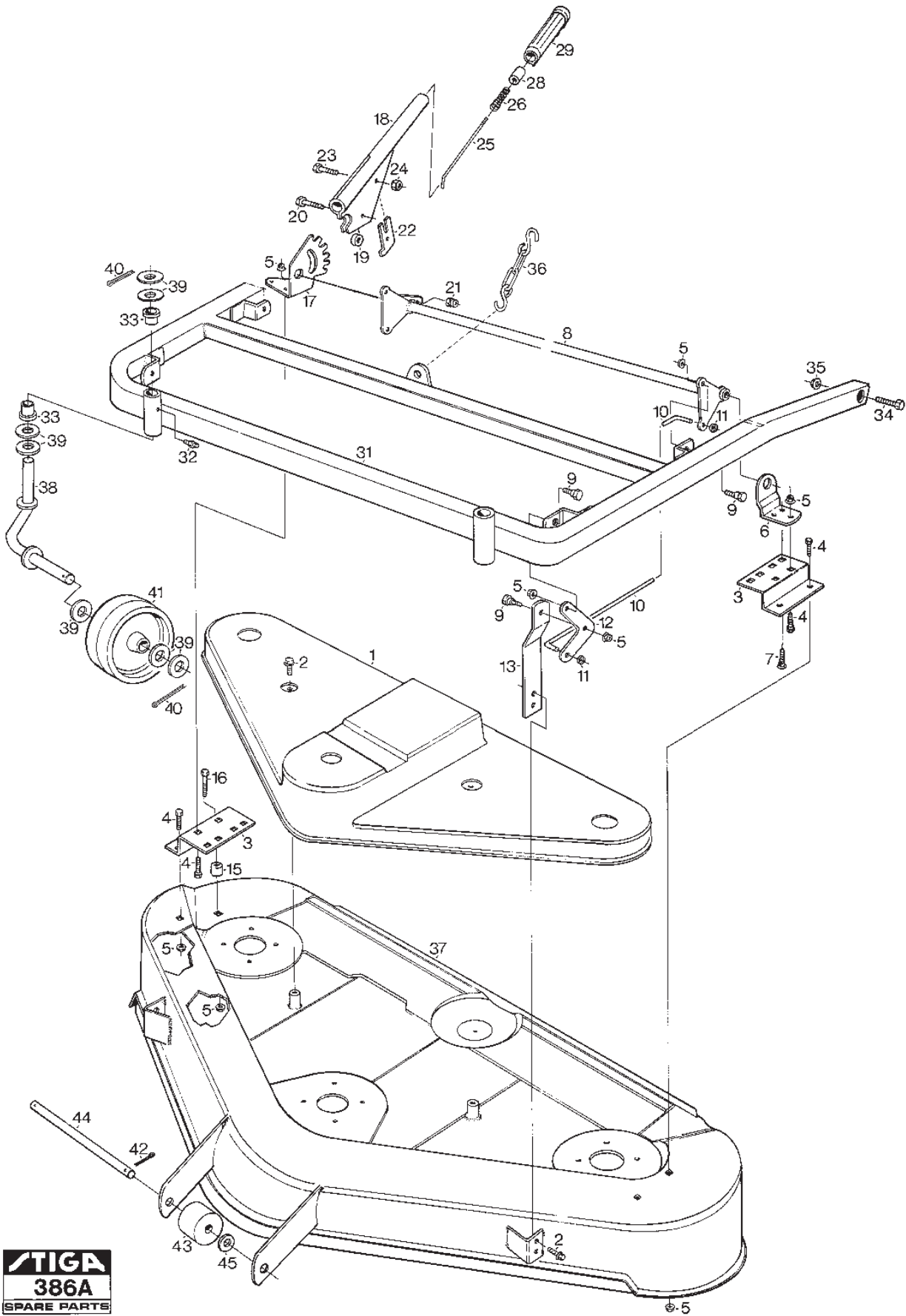
© Copyright 2014 Global Garden Products

All rights reserved. No part of this material may be reproduced or transmitted, in any form or by any means, electronic or mechanical, including photocopying, recording or by any information storage and retrieval system, without permission in writing from GLOBAL GARDEN PRODUCTS.

www.stiga.com



Utgåva Issue 41 - 2014		Kniv Mower Deck 122B Blades			
Pos. Fig.	Antal Quantity	Art nr Part No	Benämning	Description	Anmärkning Notes
0	1	13-2971-12	Klippaggregat kpl	Mower deck assy	
0	1	13-2971-13	Klippaggregat kpl	Mowing unit assy	
1	1	1134-9016-01	Kilrem	V-Belt	= 9585-0066-00
2	1	1134-9034-01	Kilrem	V-Belt	
3	1	1132-0915-01	Dubbelremskiva	Double Sheave	
4	3	9600-0050-00	Kil	Key	
5	1	1134-0325-02	Spännarm	Tensioning Arm	
6	1	1131-1684-01	Distans	Spacer	
7	1	1134-2840-02	Bricka	Washer	
8	1	9997-0820-16	Skruv	Screw	
8	1	9997-0825-16	Skruv	Screw	
8	1	9997-0820-16	Skruv	Screw	
8	1	9997-0825-16	Skruv	Screw	
9	1	9699-0109-02	Bricka	Washer	
10	1	9739-0831-22	Mutter	Nut	
11	1	1134-3053-01	Spännrulle	Tension Roller	
12	1	9942-0816-16	Skruv	Screw	
13	1	9699-0056-02	Bricka	Washer	
14	1	1134-0327-00	Fjäder	Spring	
15	3	1132-0088-01	Lagerbox Kpl.	Spindle Housing	
16	6	1132-0030-01	Kullager	Ball Bearing	
17	3	1132-0286-01	Distans	Spacer	
18	3	1132-0156-01	Bricka	Washer	
19	3	1132-0913-01	Kniv	Cutter Blade	
20	3	1132-0090-01	Knivplåt	Plate	
21	6	9683-0035-02	Bricka	Washer	
22	6	9987-5225-16	Skruv	Screw	
23	12	1811-0754-01	Skruv	Screw	
24	3	1132-0192-01	Knivaxel	Shaft	
25	2	1132-0536-01	Remskiva	Blade Sheave	
26	3	1132-0015-01	Mutter	Nut	
27	3	1811-0190-01	Smörjnippel	Grease Fitting	



Utgåva Issue 41 - 2014		Ram Reglage		Mower Deck 122B Frame Controls	
Pos. Fig.	Antal Quantity	Art nr Part No	Benämning	Description	Anmärkning Notes
1	1	1134-3066-01	Transmissionskåpa	Transmission Cover	
2	6	9942-0816-16	Skruv	Screw	
3	2	1134-3060-01	Fäste	Bracket	
4	5	9997-0816-16	Skruv	Screw	
5	16	9739-0831-22	Mutter	Nut	
6	1	1134-3059-01	Fäste	Bracket	
7	4	9898-0820-16	Skruv	Screw	
8	1	1134-2513-01	Parallellaxel Kpl	Shaft	
9	6	1134-0240-00	Skruv	Screw	
10	2	1134-1833-02	Stag För Höjdinst	Rod	
11	4	9675-0012-02	Starlock	Locking washer	
12	2	1134-2907-03	Pivotplatta 5-01 24	Pivoting Plate	
13	2	1134-2512-01	Fäste 24	Attachment	
15	1	1134-3068-01	Distans	Spacer	
16	1	9997-0835-12	Skruv	Screw	
17	1	1134-2425-02	Höjdsegment	Quadrant	
18	1	1134-3039-01	Höjdinställningsspak	Lever, Height Adjustment	
19	1	1134-2427-01	Distans	Spacer	
20	1	9997-0825-16	Skruv	Screw	
21	1	9747-0831-02	Mutter Låsmutter	Nut	
22	1	1134-2748-01	Stoppsegment	Locking Plate	
23	1	9997-0620-16	Skruv	Screw	
24	1	9747-0631-02	Mutter Låsmutter	Nut	
25	1	1134-2749-01	Reglagestång	Control Rod	
26	1	1134-2398-01	Fjäder	Spring	
28	1	1134-3051-01	Låsratt	Locking Knob	
29	1	9406-0006-00	Handtag 01.100.026 Faca	Handle	
31	1	1134-3058-01	Ram Kpl 5-01 00	Frame-Mowing Unit	
32	2	9501-0500-00	Smörjkopp Kort Rak	Grease Dispenser	
33	4	1134-0068-01	Bearing	Bearing	
34	2	9997-1035-16	Skruv	Screw	
35	2	9739-1031-22	Mutter	Nut	
36	1	1134-2516-01	Kedja	Chain	
37	1	1132-0914-01	Kåpa	Mower base	
38	2	1132-0204-01	Spindel	Spindle	
39	14	9699-0042-02	Bricka	Washer	
40	4	9599-0071-02	Saxsprint 3.2X28	Split Pin	
41	2	1132-0233-01	Stödhjul	Gauge Wheel	
42	1	1811-0122-01	SaxSprint	Cotter Pin	
43	4	1132-0888-01	Rulle	Roller	
44	1	1132-0508-01	Rullaxel	Roller Shaft	
45	4	9699-0104-02	Bricka	Washer	

code	pos.	q.ty	page				
13-2971-12	0	1	p. 3	9997-0816-16	4	5	p. 5
13-2971-13	0	1	p. 3	9997-0820-16	8	1	p. 3
1131-1684-01	6	1	p. 3	9997-0820-16	8	1	p. 3
1132-0015-01	26	3	p. 3	9997-0825-16	8	1	p. 3
1132-0030-01	16	6	p. 3	9997-0825-16	8	1	p. 3
1132-0088-01	15	3	p. 3	9997-0825-16	20	1	p. 5
1132-0090-01	20	3	p. 3	9997-0835-12	16	1	p. 5
1132-0156-01	18	3	p. 3	9997-1035-16	34	2	p. 5
1132-0192-01	24	3	p. 3				
1132-0204-01	38	2	p. 5				
1132-0233-01	41	2	p. 5				
1132-0286-01	17	3	p. 3				
1132-0508-01	44	1	p. 5				
1132-0536-01	25	2	p. 3				
1132-0888-01	43	4	p. 5				
1132-0913-01	19	3	p. 3				
1132-0914-01	37	1	p. 5				
1132-0915-01	3	1	p. 3				
1134-0068-01	33	4	p. 5				
1134-0240-00	9	6	p. 5				
1134-0325-02	5	1	p. 3				
1134-0327-00	14	1	p. 3				
1134-1833-02	10	2	p. 5				
1134-2398-01	26	1	p. 5				
1134-2425-02	17	1	p. 5				
1134-2427-01	19	1	p. 5				
1134-2512-01	13	2	p. 5				
1134-2513-01	8	1	p. 5				
1134-2516-01	36	1	p. 5				
1134-2748-01	22	1	p. 5				
1134-2749-01	25	1	p. 5				
1134-2840-02	7	1	p. 3				
1134-2907-03	12	2	p. 5				
1134-3039-01	18	1	p. 5				
1134-3051-01	28	1	p. 5				
1134-3053-01	11	1	p. 3				
1134-3058-01	31	1	p. 5				
1134-3059-01	6	1	p. 5				
1134-3060-01	3	2	p. 5				
1134-3066-01	1	1	p. 5				
1134-3068-01	15	1	p. 5				
1134-9016-01	1	1	p. 3				
1134-9034-01	2	1	p. 3				
1811-0122-01	42	1	p. 5				
1811-0190-01	27	3	p. 3				
1811-0754-01	23	12	p. 3				
9406-0006-00	29	1	p. 5				
9501-0500-00	32	2	p. 5				
9599-0071-02	40	4	p. 5				
9600-0050-00	4	3	p. 3				
9675-0012-02	11	4	p. 5				
9683-0035-02	21	6	p. 3				
9699-0042-02	39	14	p. 5				
9699-0056-02	13	1	p. 3				
9699-0104-02	45	4	p. 5				
9699-0109-02	9	1	p. 3				
9739-0831-22	5	16	p. 5				
9739-0831-22	10	1	p. 3				
9739-1031-22	35	2	p. 5				
9747-0631-02	24	1	p. 5				
9747-0831-02	21	1	p. 5				
9898-0820-16	7	4	p. 5				
9942-0816-16	2	6	p. 5				
9942-0816-16	12	1	p. 3				
9987-5225-16	22	6	p. 3				
9997-0620-16	23	1	p. 5				