



Reservdelskatalog Parts Catalogue

PARK 12

13-1442-20 - Season 1997

- Use GLOBAL GARDEN PRODUCT Genuine Spare Parts specified in the parts list for repair and/or replacement.
 - The contents described in the parts list may change due to improvement.
 - The drawings of the spare parts are only indicative and might not represent the part in question exactly.
 - The indications "right" - "left" - "front" - "rear" refer to the position of the operator when using the machine.
- When placing orders of parts for repair and/or replacement, make sure that the illustrated parts list is the one applying to the machine's year of manufacture, as shown on the identification plate attached to the machine.

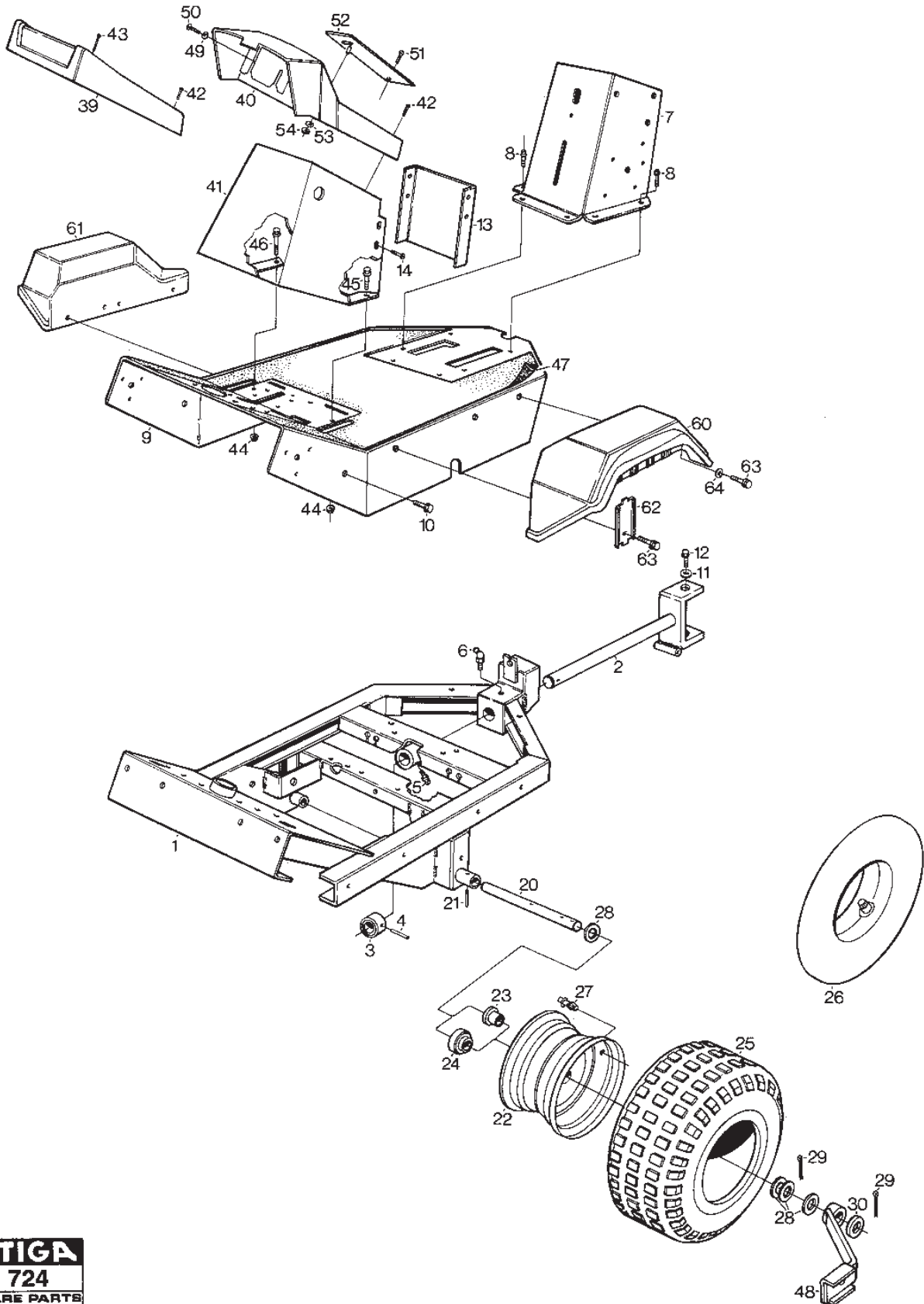
© Copyright 2014 Global Garden Products

All rights reserved. No part of this material may be reproduced or transmitted, in any form or by any means, electronic or mechanical, including photocopying, recording or by any information storage and retrieval system, without permission in writing from GLOBAL GARDEN PRODUCTS.

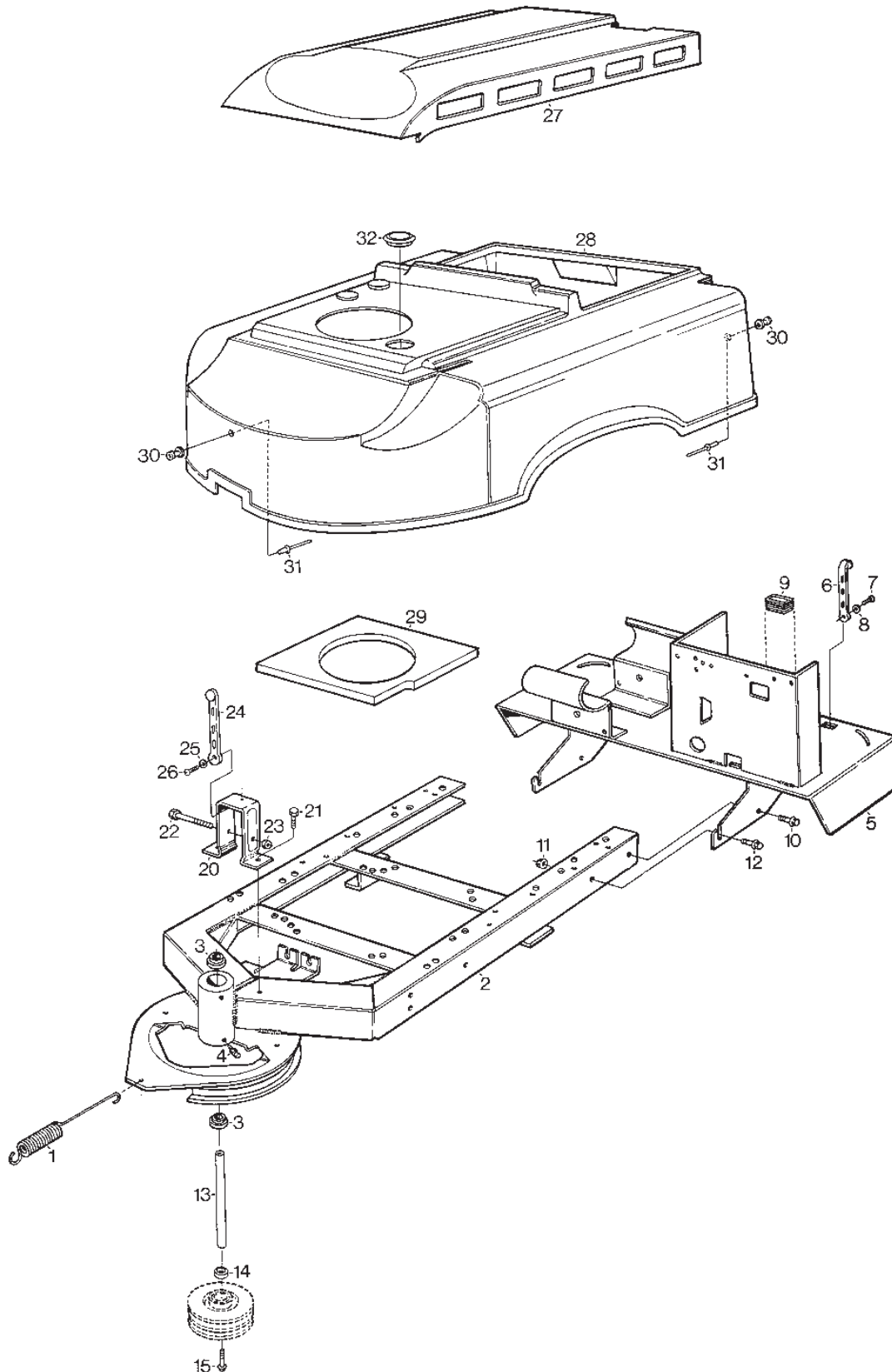
www.stiga.com

PARK 12

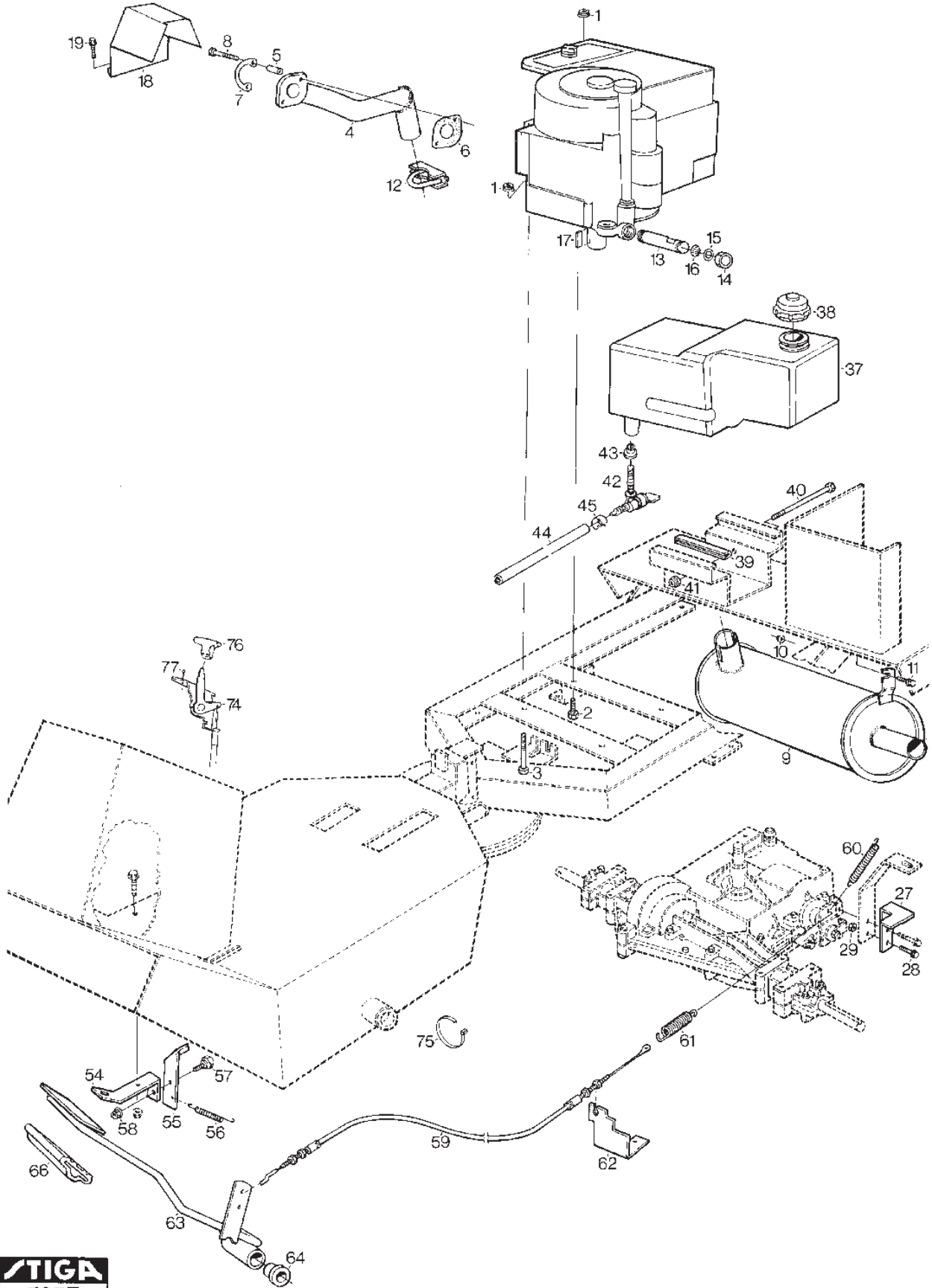
PARK 13HST, 16HST, 18HST



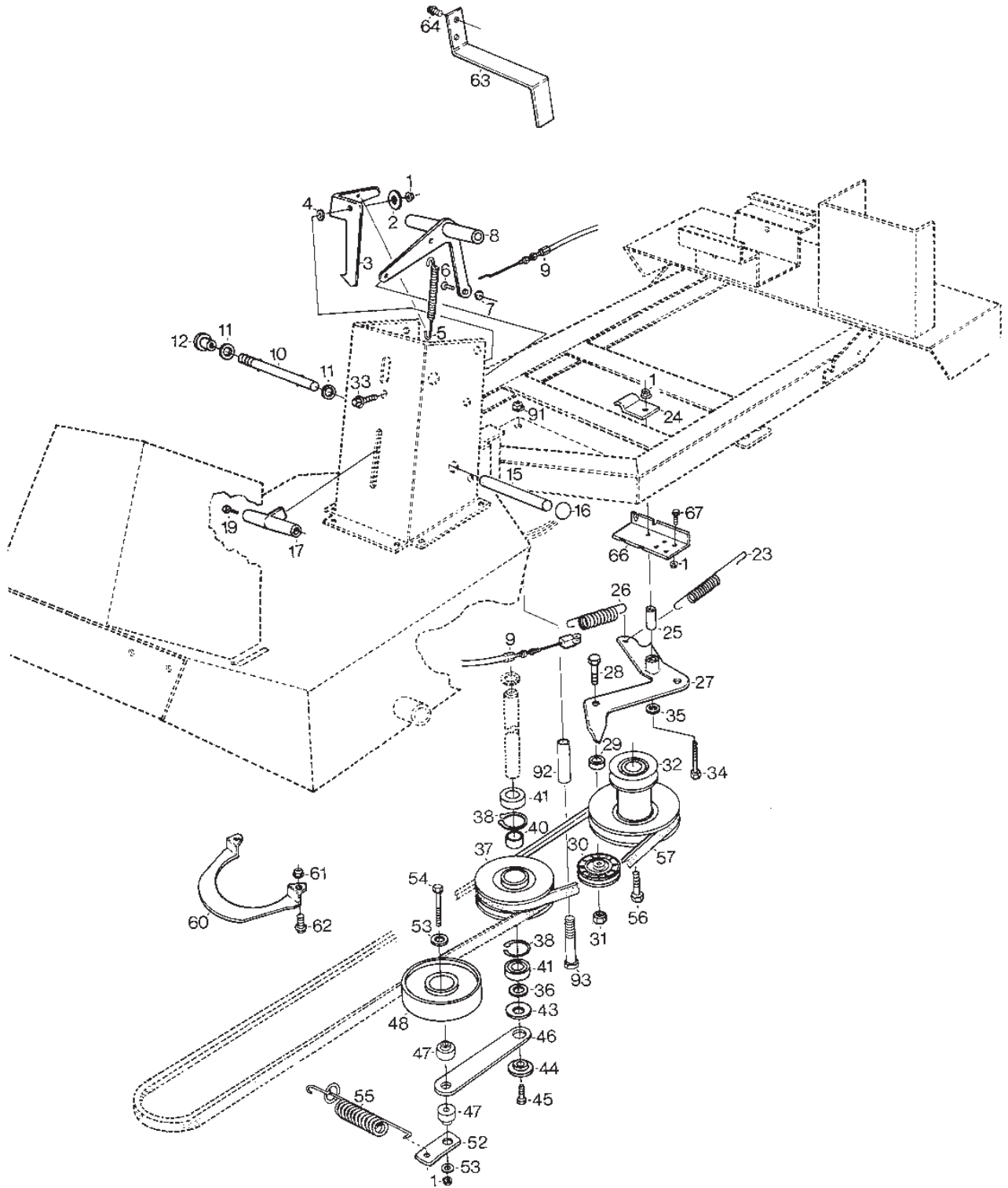
Utgåva Issue 45 - 2014		Främre Ram Front Frame			
Pos. Fig.	Antal Quantity	Art nr Part No	Benämning	Description	Anmärkning Notes
1	1	1134-3411-03	Främre ram	Front frame	
2	1	1134-1757-07	Midjegaffel M Ledaxel	Clevis	
3	1	1134-0031-00	Ledaxelstopp Ledaxelstopp	Pivot Shaft Stop	
4	1	9595-0262-00	Spännstift	Locating Pin Elastic Pin	
5	1	9501-0500-00	Smörjkopp Kort Rak	Grease Dispenser	
6	1	9501-0502-00	Smörjnippel	Grease Joint	
7	1	1134-3252-02	Sitskonsol-gul	Seat Bracket-Yellow	
7	1	1134-3800-01	Sitskonsol 1-00 02	Seat Bracket-Yellow	
8	6	9942-0816-16	Skruv	Screw	
9	1	1134-1192-22	Durk Kpl	Floor Plate	
10	4	9942-0816-16	Skruv	Screw	
11	1	9699-0035-02	Bricka	Washer	
12	1	9959-1020-16	Skruv	Screw	
20	2	1134-0075-01	Framaxeltapp	Front Axle	
21	2	9595-0258-00	Spännstift	Locating Pin	
22	2	1134-2668-01	Fälg kpl	Rim assy	
22	2	1134-2668-02	Fälg Med Lager	Rim W.Bearings	
22	2	1134-2668-01	Fälg kpl	Rim assy	
22	2	1134-2668-02	Fälg Med Lager	Rim W.Bearings	
23	1	1134-9026-01	Bussning	Bearing	Sats 4 st/kit of 4
25	2	9545-0116-00	Däck	Tyre	16 x 7.50 - 8
26	1	9545-0203-00	Innerslang	Inner Tube	Reservdel/spare part
27	2	9545-0500-00	Ventil	Valve Assy.	
28	8	1134-0341-01	Bricka	Washer	
29	4	9599-0080-02	SaxSprint Sp 4*28	Cotter Pin	
30	2	9699-0042-02	Bricka	Washer	
39	1	1134-3370-01	Instrumentpanel (P10)	Panel	
41	1	1134-2833-10	Frontdekor Kpl 1-00 02	Front Trim Plate	
42	2	9849-8013-16	Skruv	Screw	
43	2	9849-8032-16	Skruv	Screw	
44	6	9739-0831-22	Mutter	Nut	
45	2	9959-0816-16	Skruv	Screw	L = 16 mm
46	4	9959-0820-16	Skruv	Screw	L = 20 mm
47	1	1134-3546-01	Durkmatta Park Hst	Floor Mat	
47	1	1134-3535-01	Durkmatta Park	Floor Mat	
48	2	1134-3710-01	Fäste Kpl 5-01 15	Attachment For Accessories	
51	1	9849-8032-16	Skruv	Screw	
60	1	1134-2174-01	Framskärm Vänster	Mudguard,Lh (Yellow)	
61	1	1134-2174-02	Framskärm Höger	Mudguard,Rh (Yellow)	
62	4	1134-0225-00	Stödplåt	Support Plate	
63	6	9942-0816-16	Skruv	Screw	
64	2	9699-0056-02	Bricka	Washer	



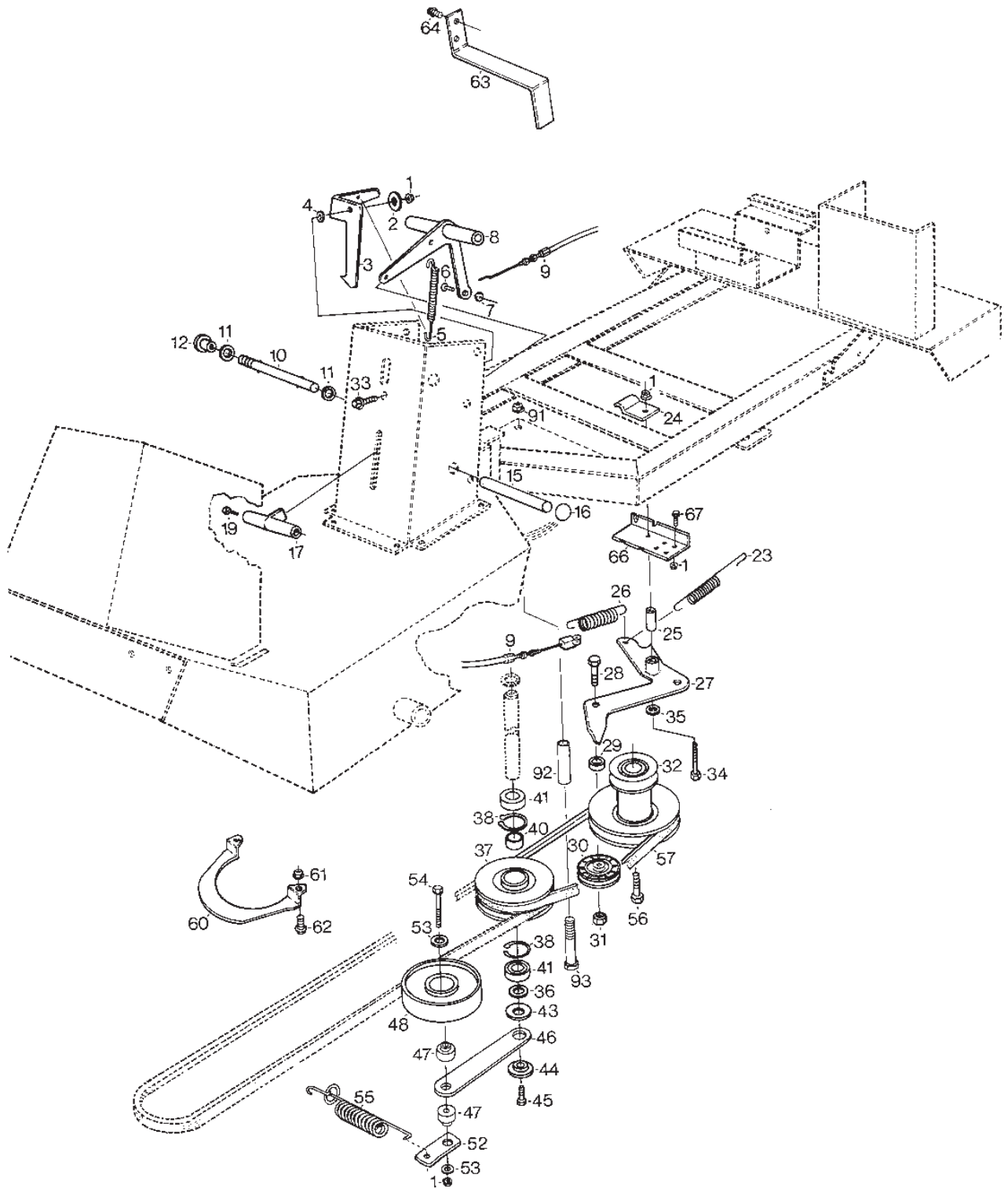
Utgåva Issue 45 - 2014		Bakre Ram		Rear Frame	
Pos. Fig.	Antal Quantity	Art nr Part No	Benämning	Description	Anmärkning Notes
1	1	1134-2171-01	Fjäder	Spring	
2	1	1134-3412-01	Ram Bakre Kpl. 5-01 01	Rear Frame	
3	2	9547-0001-00	Ledlager Ge17Es	Bearing	
4	2	9501-0500-00	Smörjkopp Kort Rak	Grease Dispenser	
5	1	1134-2899-03	Stötfångare-Bakre	Rear Bumper	
6	1	1134-9028-01	Gummistropp (3 St)	Rubber Strap (3 Pcs)	Sats 3 st/kit of 3
7	2	9849-8013-16	Skruv	Screw	
8	2	9699-0087-02	Bricka	Washer	
9	3	1134-3540-01	Ändavslutning Ir 2030	Plastic Plug	1442,1443,1446,1448
10	2	9942-0816-16	Skruv	Screw	
11	2	9739-0831-22	Mutter	Nut	
12	2	9959-0820-16	Skruv	Screw	
13	1	1134-0057-00	Centrumaxel	Centre Shaft	
14	1	1134-0052-00	Distans	Spacer	
15	1	9959-1025-16	Skruv	Screw	
20	1	1134-2951-01	Huvstöd Par	Engine Cover Support	
21	2	9942-0612-16	Skruv	Screw	
22	1	9997-0670-12	Skruv	Screw	
23	1	9747-0631-02	Mutter Låsmutter	Nut	
24	1	1134-9028-01	Gummistropp (3 St)	Rubber Strap (3 Pcs)	Sats 3 st/kit of 3
25	1	9699-0087-02	Bricka	Washer	
26	1	9849-8013-16	Skruv	Screw	
27	1	1134-2215-02	Motorlucka	Engine cover	1171,1172
27	1	1134-2215-02	Motorlucka	Engine cover	1171,1172
27	1	1134-2215-01	Motorlucka	Engine Cover (Black)	
28	1	1134-3215-01	Motorhuv 1-00	Engine Hood	
29	1	1134-2053-01	Ljudisoleringsmatta	Foam Pad	H = 15 mm
30	3	9405-0029-00	Knopp	Knob	
31	3	9632-0516-00	Popnit 9.5	Pop Rivet	



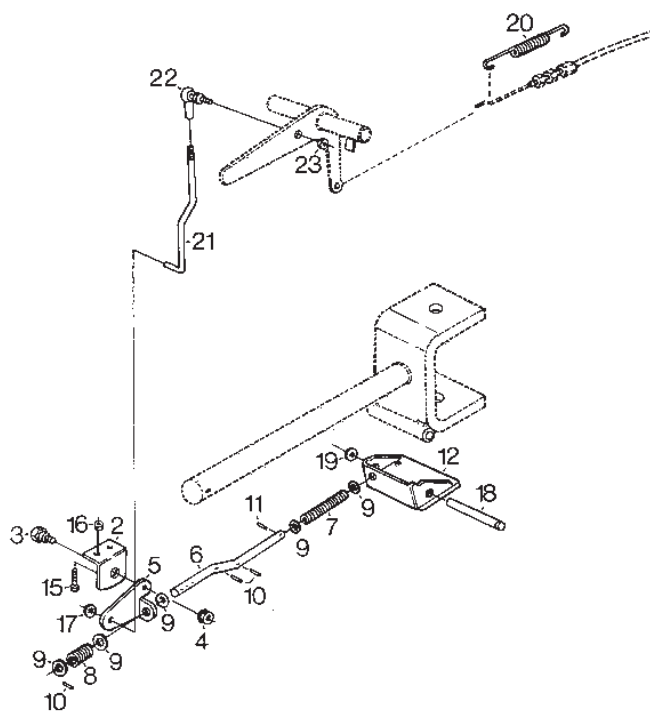
Utgåva Issue 45 - 2014		Motor Broms	Engine Brake		
Pos. Fig.	Antal Quantity	Art nr Part No	Benämning	Description	Anmärkning Notes
1	4	9739-0831-22	Mutter	Nut	
2	3	9997-0840-16	Skruv	Screw	L = 40 mm
3	1	9997-0870-16	Skruv	Screw	L = 70 mm
4	1	1134-3738-01	Avgasrör Kpl	Exhaust Pipe	
5	2	1134-1565-01	Distans	Spacer	
6	1	1134-0433-00	Packning	Gasket	
7	1	1134-2462-01	Låsbleck	Lock	
8	2	9988-3651-12	Skruv	Screw	
9	1	1134-3244-01	Ljuddämpare	Silencer	
10	1	9739-0831-22	Mutter	Nut	
11	1	9959-0816-16	Skruv	Screw	
12	1	9578-0011-00	Klämma F Ljuddämp D35 Rid	Clamp	
13	1	1134-2212-01	Oljeavtappningsrör Kpl.	Oil Drain Pipe	
14	1	1134-0995-01	Plugg	Plug	
15	1	9404-0020-00	O-Ring 11,3 X 2,4	O-ring	
16	1	1134-0997-01	Packning	Gasket	
17	1	9600-0250-00	Kil	Key	
18	1	1134-2733-01	Värmskydd	Heat Protection	
19	2	9942-0612-16	Skruv	Screw	
27	1	1134-2045-01	Bromsstopp	Brake Stop	
28	1	9959-0816-16	Skruv	Screw	
29	1	9739-0831-22	Mutter	Nut	
37	1	1134-3593-01	Bränsletank	Fuel Tank	
38	1	1134-2877-02	Tanklock	Fuel Tank Cap	
39	2	1134-2941-01	Kantskyddslist S	Protection Strip	
40	1	9997-0812-02	Skruv	Screw	
41	1	9747-0831-02	Mutter Låsmutter	Nut	
42	1	1134-3224-01	Bensinkran	Fuel Shut-Off Valve	
43	1	1134-3225-01	Gummibussning Gummibussning	Grommet	
44	1	1134-2975-06	Bensinslang	Fuel Tube	
45	2	1134-3499-01	Slangklämma	Hose Clamp	
54	1	1134-1184-02	Stag F Parkeringsbroms	Stay	
55	1	1134-2151-01	Spärr	Stop	
56	1	1131-1497-01	Fjäder	Brake Spring	
57	1	1134-0245-00	Skruv	Screw	
58	1	9739-0831-22	Mutter	Nut	
59	1	1134-3410-02	Motorbromswire	Cable, Thread Engine Brake	
60	1	1131-1506-00	Fjäder	Spring	
61	1	1134-3280-01	Fjäder	Spring	
62	1	1134-3403-01	Kabelhållare	Wire Holder	
63	1	1134-2170-02	Bromspedal (hö sida)	Brake pedal (R. H.)	
64	1	1134-9024-01	Lager (4 St)	Bearing	Sats 4 st/kit of 4
66	1	1134-0269-00	Pedalgummi	Pedal Rubber	
74	1	1134-1975-11	Gasreglage	Throttle Cable	
75	1	9579-0008-00	Buntband	Cable Holder	
76	1	9403-0035-10	Knopp	Knob	
77	2	9849-8013-16	Skruv	Screw	



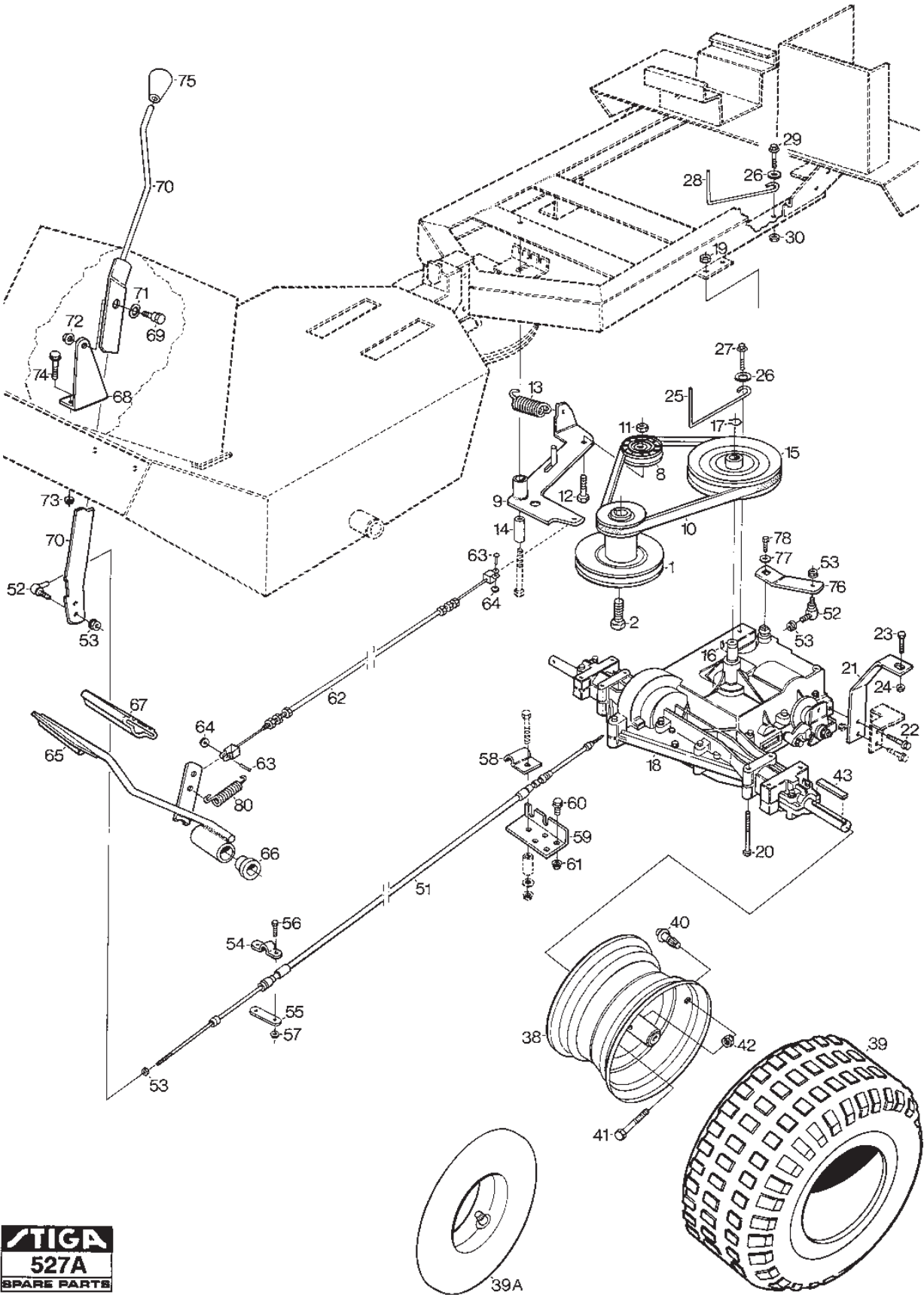
Utgåva Issue 45 - 2014		Power Take Off			
Pos. Fig.	Antal Quantity	Art nr Part No	Benämning	Description	Anmärkning Notes
1	3	9739-0831-22	Mutter	Nut	
2	1	1134-0143-00	Bricka	Washer	
3	1	1134-2453-01	Låshake	Locking Pawl	
4	1	9695-0002-00	Bricka	Washer	
5	1	1131-1497-01	Fjäder	Brake Spring	
8	1	1134-1396-02	Spak	Lever	1442,1443,1446
8	1	1134-0027-01	Reglagespak	Control Lever	
9	1	1134-3573-01	Wire (Kraft)	Cable	
10	1	1134-1972-01	Urkopplingsspak	Disengaging Lever	
11	2	9699-0025-02	Bricka	Washer	
12	1	1134-0583-00	Knopp	Knob	
15	1	1134-0022-00	Reglagestång	Control Rod	
16	2	9672-0004-02	Starlock	Starlock	
17	1	1134-0153-00	T-Handtag	Handle Gear Shifter	
19	1	9847-8016-16	Skruv	Screw	
23	1	1131-1506-00	Fjäder	Spring	
25	1	1134-1565-01	Distans	Spacer	
26	1	1134-1242-02	Fjäder	Spring	
27	1	1134-2018-01	Spännarm Kpl	Tensioning Arm	
28	1	9997-1030-16	Skruv	Screw	
30	1	1134-9027-01	Spännrulle (Svart)	Tension Roller (Black)	
31	1	9799-1031-02	Mutter	Nut	
32	1	9997-1450-16	Skruv	Screw	Tillbehör/accessory
32	1	1134-2020-01	Motorremskiva	Engine Pulley	
33	1	9959-0820-16	Skruv	Screw	
34	1	9997-0850-16	Skruv	Screw	
35	1	9699-0056-02	Bricka	Washer	
36	1	1134-0052-00	Distans	Spacer	
37	1	1134-1769-02	Remskiva	Belt Pulley	
38	2	9651-0040-04	Spårring Sgh 40	Circlip	
40	1	1134-0051-09	Distans	Spacer	
41	2	9549-0019-00	Kullager	Ball Bearing	
43	1	9699-0109-02	Bricka	Washer	
44	1	1134-0222-00	Bricka	Washer	
45	1	9959-1025-16	Skruv	Screw	
46	1	1134-1730-01	Spännhjularm	Tensioning Wheel Arm	
47	2	1134-1888-01	Distans	Spacer	
48	1	1134-1770-01	Spännhjul Kpl	Tension Roller	
52	1	1134-1893-01	Fjäder	Spring	
53	2	9699-0062-02	Bricka	Washer	
54	1	9997-0865-12	Skruv	Screw	
55	1	1134-1322-01	Fjäder	Tensioning Wheel Spring	
56	1	9987-5338-12	Skruv	Screw	
57	1	1134-9012-01	Kilrem	V-Belt	= 9585-0056-00
60	1	1134-3654-01	Fingerskydd 5-01 24	Guard	
61	2	9739-0631-22	Mutter	Nut	
62	2	9959-0612-16	Skruv	Screw	
63	1	1134-2381-01	Remstyrning	Belt Guide	
64	2	9942-0816-16	Skruv	Screw	



Utgåva Issue 45 - 2014		Power Take Off			
Pos. Fig.	Antal Quantity	Art nr Part No	Benämning	Description	Anmärkning Notes
91	1	9739-1031-22	Mutter	Nut	
92	1	1134-0041-03	Bussning	Bushing	
93	1	9997-1070-12	Skruv	Screw	

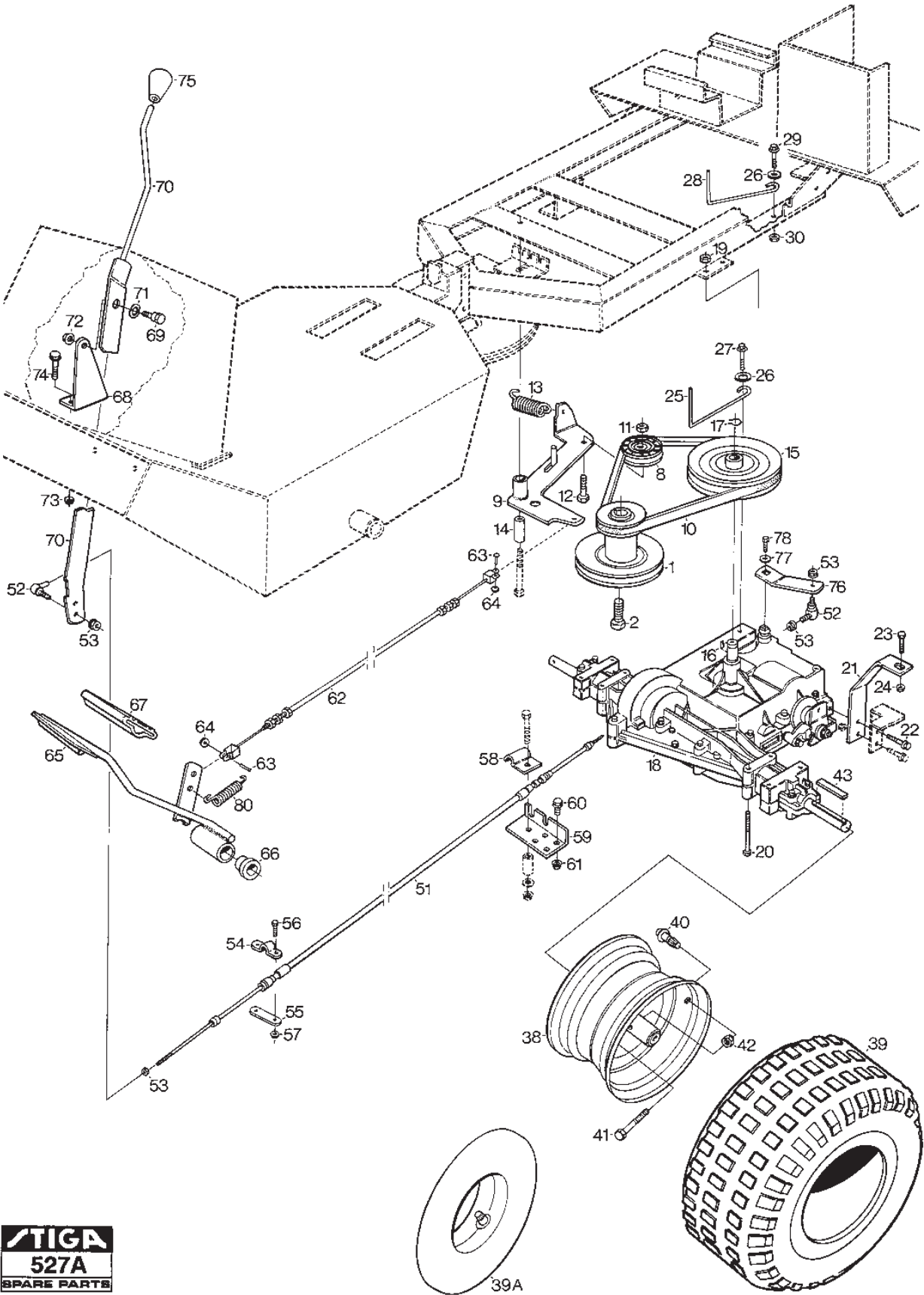


Utgåva Issue 45 - 2014		Kraftuttagsbroms		Pto-Brake	
Pos. Fig.	Antal Quantity	Art nr Part No	Benämning	Description	Anmärkning Notes
2	1	1134-2518-01	Konsol	Console	
3	1	1134-0245-00	Skruv	Screw	
4	1	9747-0831-02	Mutter Låsmutter	Nut	
5	1	1134-2522-01	Pivotplatta	Plate	
6	1	1134-2520-02	Stag	Stay	
7	1	1134-2663-01	Fjäder	Spring	
8	1	1134-2529-01	Fjäder	Spring	
9	5	9699-0025-02	Bricka	Washer	
10	3	9595-0110-00	Spiralspnst Prym N 2*10	Locating Pin	
11	1	9595-0153-00	Spiralspännstift N3*12	Locating Pin	
12	1	1134-2524-01	Broms	Brake	
15	2	9959-0612-16	Skruv	Screw	
16	2	9739-0631-22	Mutter	Nut	
17	1	9675-0009-02	Starlockbricka	Starlock	
18	1	1134-2521-01	Axel	Shaft	
19	2	9675-0009-02	Starlockbricka	Starlock	
20	1	1134-3633-01	Fjäder	Spring	
21	1	1134-2519-03	Stag	Stay	
22	1	9570-0004-00	Vinkellänk As 10 Din71802M6	Elbow Link	
23	1	9799-0631-02	Mutter	Nut	



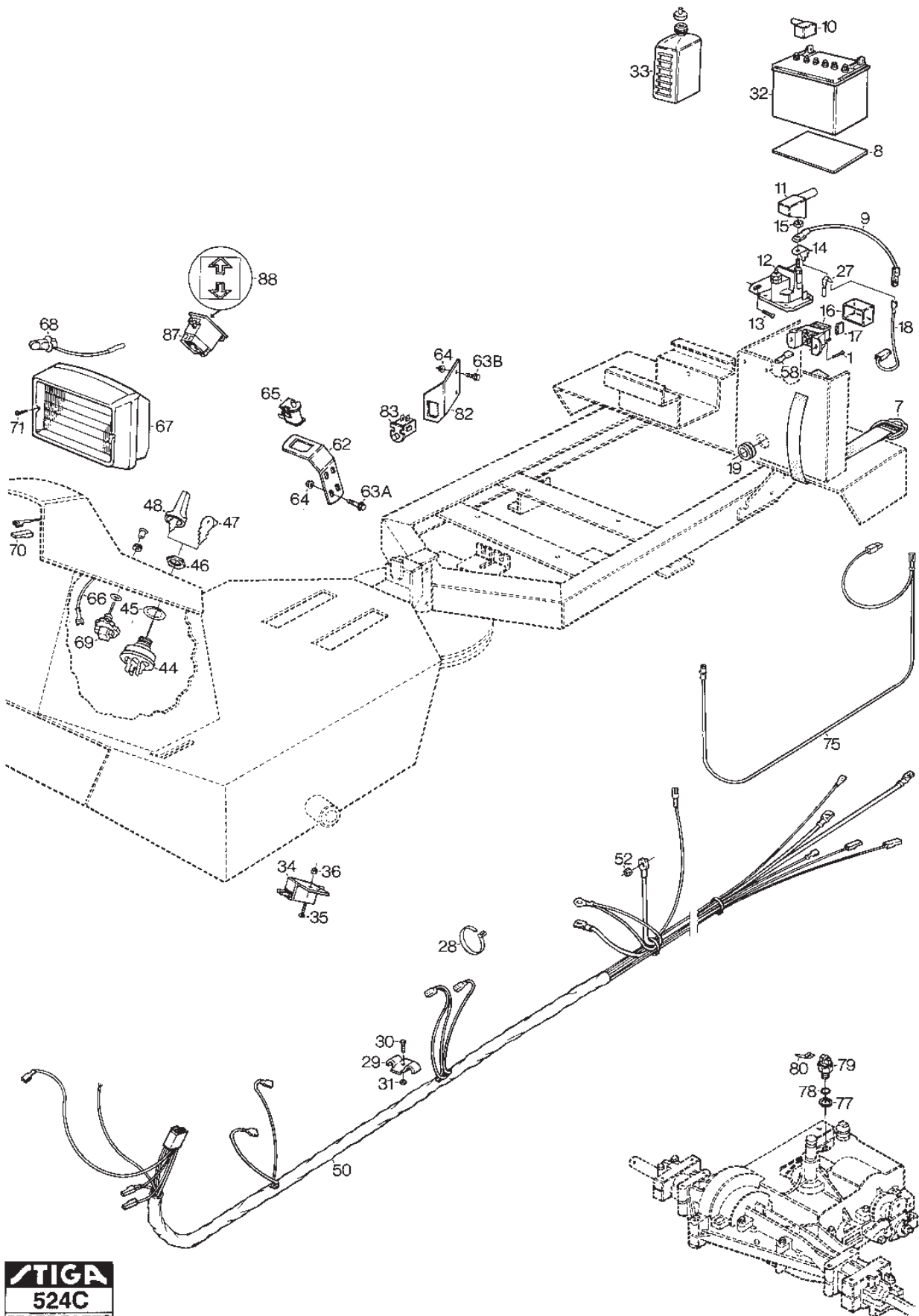
STIGA
527A
SPARE PARTS

Utgåva Issue 45 - 2014		Transmission			
Pos. Fig.	Antal Quantity	Art nr Part No	Benämning	Description	Anmärkning Notes
1	1	1134-2020-01	Motorremskiva	Engine Pulley	
2	1	9987-5338-12	Skruv	Screw	
8	1	1134-9027-01	Spännrulle (Svart)	Tension Roller (Black)	
9	1	1134-2015-03	Spännarm	Tension Arm	
10	1	1134-9035-01	Kilrem	V-Belt	= 9585-0078-00
11	1	9799-1031-02	Mutter	Nut	
12	1	9997-1030-16	Skruv	Screw	
13	1	1134-0645-00	Fjäder	Spring	
14	1	1134-1565-01	Distans	Spacer	
15	1	1134-1849-01	Remskiva	Belt Pulley	
16	1	9600-0050-00	Kil	Key	
17	1	9650-0016-04	Spärring Sga	Circlip	
18	1	1134-3716-02	Transaxel	Transaxle	
19	4	9739-0831-22	Mutter	Nut	
20	4	9997-0870-16	Skruv	Screw	
21	1	1134-2986-01	Fäste	Bracket	
22	1	9942-0820-16	Skruv	Screw	
23	1	9959-0820-16	Skruv	Screw	
24	1	9739-0831-22	Mutter	Nut	
25	1	1134-3289-01	Remstyrning	Belt Guide	
26	2	9699-0056-02	Bricka	Washer	
27	1	9942-0820-16	Skruv	Screw	
28	1	1134-3289-01	Remstyrning	Belt Guide	
29	1	9959-0820-16	Skruv	Screw	
30	1	9739-0831-22	Mutter	Nut	
38	2	1134-3175-01	Fälg-bak	Rim-rear	
39	2	9545-0116-00	Däck	Tyre	16 x 7.50 - 8
40	2	9545-0500-00	Ventil	Valve Assy.	
41	2	9997-0840-16	Skruv	Screw	
42	2	9747-0831-02	Mutter Låsmutter	Nut	
43	2	1134-2471-01	Kil	Key	
51	1	1134-2031-02	Växelwire	Gear Shifter Cable(l=1333	
52	2	9570-0001-00	Vinkellänk As8 Din 71802M5 Länk	Elbow Link Joint	
53	4	9739-0531-22	Mutter	Nut	
54	1	1134-0266-00	Plåt Fästbygel	Plate Attaching Clamp	
55	1	1134-0267-00	Plåt Underläggsbleck	Plate Clamp Plate	
56	2	9997-0520-16	Skruv	Screw	
57	2	9739-0531-22	Mutter	Nut	
58	1	1134-2021-01	Växelwirefäste	Clamp	
59	1	1134-3400-01	Vinkelarm 5-01 24	Angle Plate	
60	2	9959-0816-16	Skruv	Screw	
61	2	9739-0831-22	Mutter	Nut	
62	1	1134-2030-04	Kopplingswire	Clutch Cable	
63	2	9646-0036-22	Nit Kn 5X12	Rivet	
64	2	9675-0008-02	Starlockbricka	Starlock	
65	1	1134-3450-01	Bromspedal (vä sida)	Brake pedal (L. H.)	
66	1	1134-9024-01	Lager (4 St)	Bearing	Sats 4 st/kit of 4
67	1	1134-0269-00	Pedalgummi	Pedal Rubber	
68	1	1134-0220-01	Växelspaxkonsol	Gear Shifter Bracket	



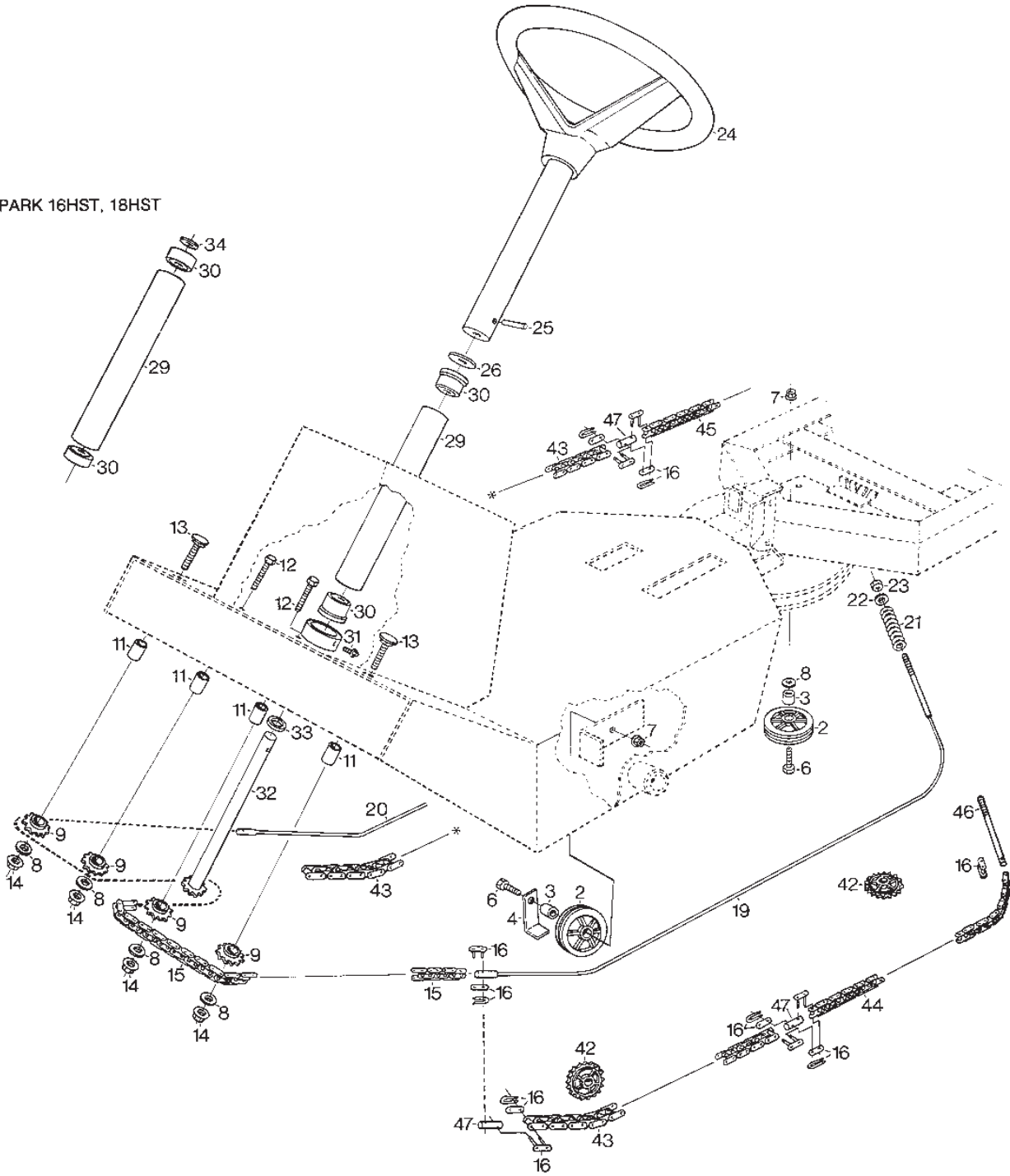
STIGA
527A
SPARE PARTS

Utgåva Issue 45 - 2014		Transmission			
Pos. Fig.	Antal Quantity	Art nr Part No	Benämning	Description	Anmärkning Notes
69	1	1134-0240-00	Skruv	Screw	
70	1	1134-2328-01	Växelspak Kpl.	Gear Lever	
71	1	9696-0013-01	Bricka	Washer	
72	1	9739-0831-22	Mutter	Nut	
73	2	9739-0831-22	Mutter	Nut	
74	2	9959-0816-16	Skruv	Screw	
75	1	1134-2551-01	Knopp	Knob	
76	1	1134-3279-01	Växelarm	Gear Shifter Arm	
77	1	9699-0060-02	Bricka	Washer	
78	1	9987-5016-16	Skruv	Screw	
80	1	1131-1506-00	Fjäder	Spring	

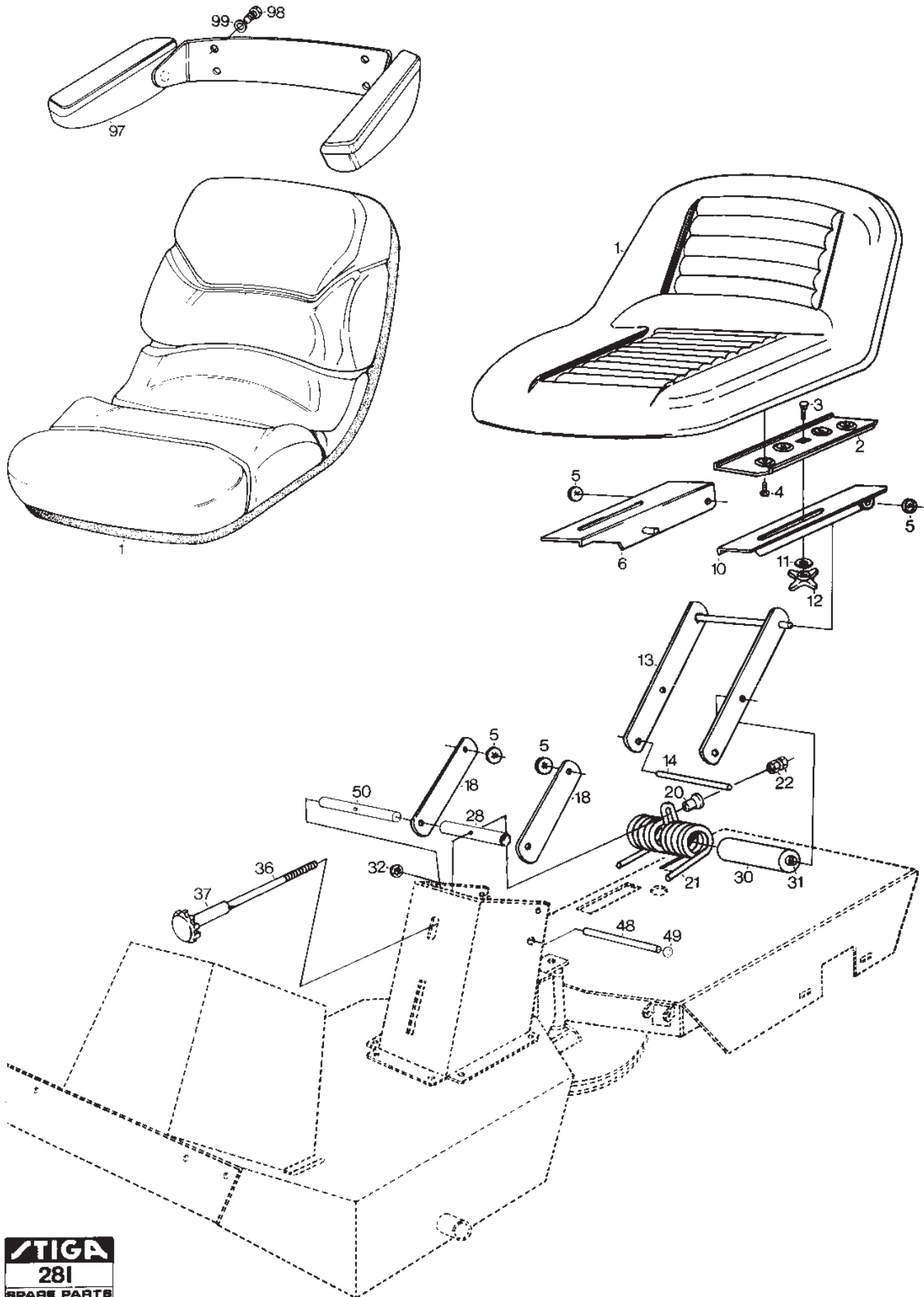


Utgåva Issue 45 - 2014		Esystem	Electrical System		
Pos. Fig.	Antal Quantity	Art nr Part No	Benämning	Description	Anmärkning Notes
1	2	9849-8009-16	Skruv	Screw	
7	1	9400-0064-02	Batterihållare	Battery Holder	
8	1	1134-2333-02	Batteriunderlägg	Battery Pad	
9	1	1134-0234-01	Batterikabel (+)	Battery Cable (+)	
10	1	1134-2310-01	Batteriskydd	Guard Cap (+)	
11	1	1134-2948-01	Skyddshätta	Guard Cap	
12	1	1134-2962-01	Solenoid Kpl Service	Solenoid	Inkl pos 14-15
13	2	9849-8009-16	Skruv	Screw	
14	1	1134-2947-01	Stift	Cable Connection	
15	2	9794-5131-02	Mutter	Nut	
16	1	1134-3491-01	Säkringshållare	Fuse Carrier Fuse Holder	
16	1	1134-3631-01	Lock Lock (5-01)	Cover-Fuse Holder	
17	2	1134-3496-01	Säkring (10A)	Fuse (10A)	10A
18	1	1134-3497-01	Kabel	Cable	
19	1	1134-3203-05	Kabelgenomföring	Grommet	
27	1	9400-0170-00	Flatst.Hylsa A2507 Flh-1	Cable Connection	
28	9	9579-0003-00	Buntband	Cable Holder	
29	1	1134-2782-01	Låsbleck	Clamp	
30	1	9997-0520-16	Skruv	Screw	
31	1	9739-0531-22	Mutter	Nut	
32	1	1134-2892-01	Batteri	Battery	
33	1	1134-3300-01	Batterisyra	Battery Acid	2 x 0.85 liter
34	1	1134-3399-02	Brytare	Switch	
35	2	9997-0520-16	Skruv	Screw	
36	2	9747-0531-02	Mutter	Nut	
44	1	1134-1814-01	Tändningslås Kpl Service	Starter Switch Assy.	
45	1	1134-2853-01	Bricka	Washer	
46	1	1134-2852-01	Mutter	Nut	
47	1	1134-2848-01	Tändningsnyckel	Ignition Key	
48	1	1134-3368-01	Tändningsnyckel	Ignition Key	
50	1	1134-3697-01	Kablage	Harness	1168,1171,1172
50	1	1134-3718-01	Kablage	Harness	1442
52	1	9795-3531-02	Mutter	Nut	
62	1	1134-3251-01	Fäste	Bracket	
63	2	9959-0616-16	Skruv	Screw	16 mm (1442,1446)
63	2	9959-0612-16	Skruv	Screw	12 mm
64	2	9739-0631-22	Mutter	Nut	
65	1	1134-3156-01	Brytare	Switch	
66	1	1134-3732-01	Kabel	Cable	
67	1	1134-1466-01	Strålkastare Kpl	Headlamp Assy.	
68	1	9400-0075-00	Glödlampa 12336H3 12	Glow Lamp	
69	1	9400-0063-00	Brytare	Switch	
70	1	1134-3733-01	Bussning	Bushing	
77	1	9695-0012-00	Bricka	Washer	
78	1	9404-0024-00	O-ring	O-Ring	
79	1	9400-0167-01	Brytare	Switch	
80	2	9400-0171-00	Fl.Stift 3868 F/45Msbk	Cable Connection	
82	1	1134-3551-01	Brytarfäste	Attachment	1442,1443,1446
83	1	1134-3156-01	Brytare	Switch	1442,1443,1446

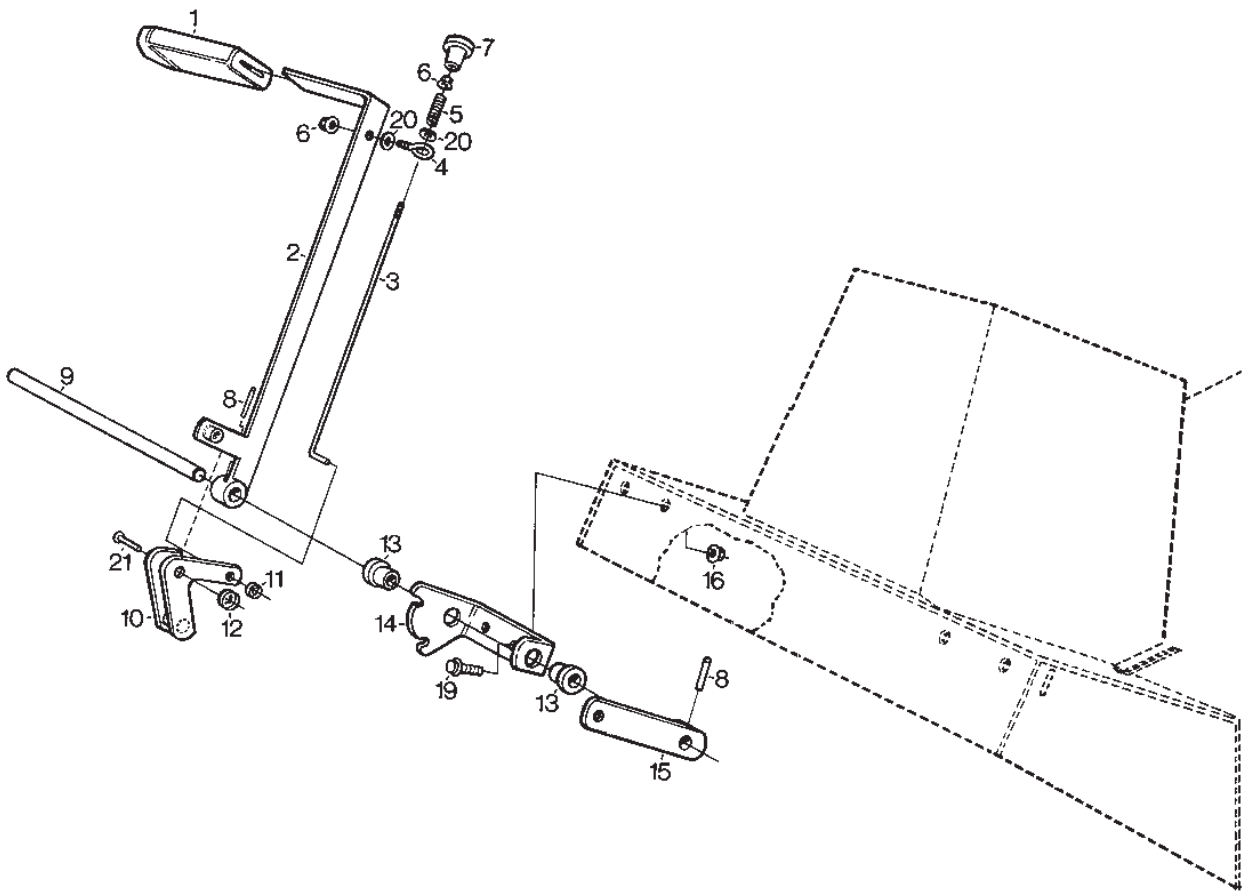
PARK 16HST, 18HST



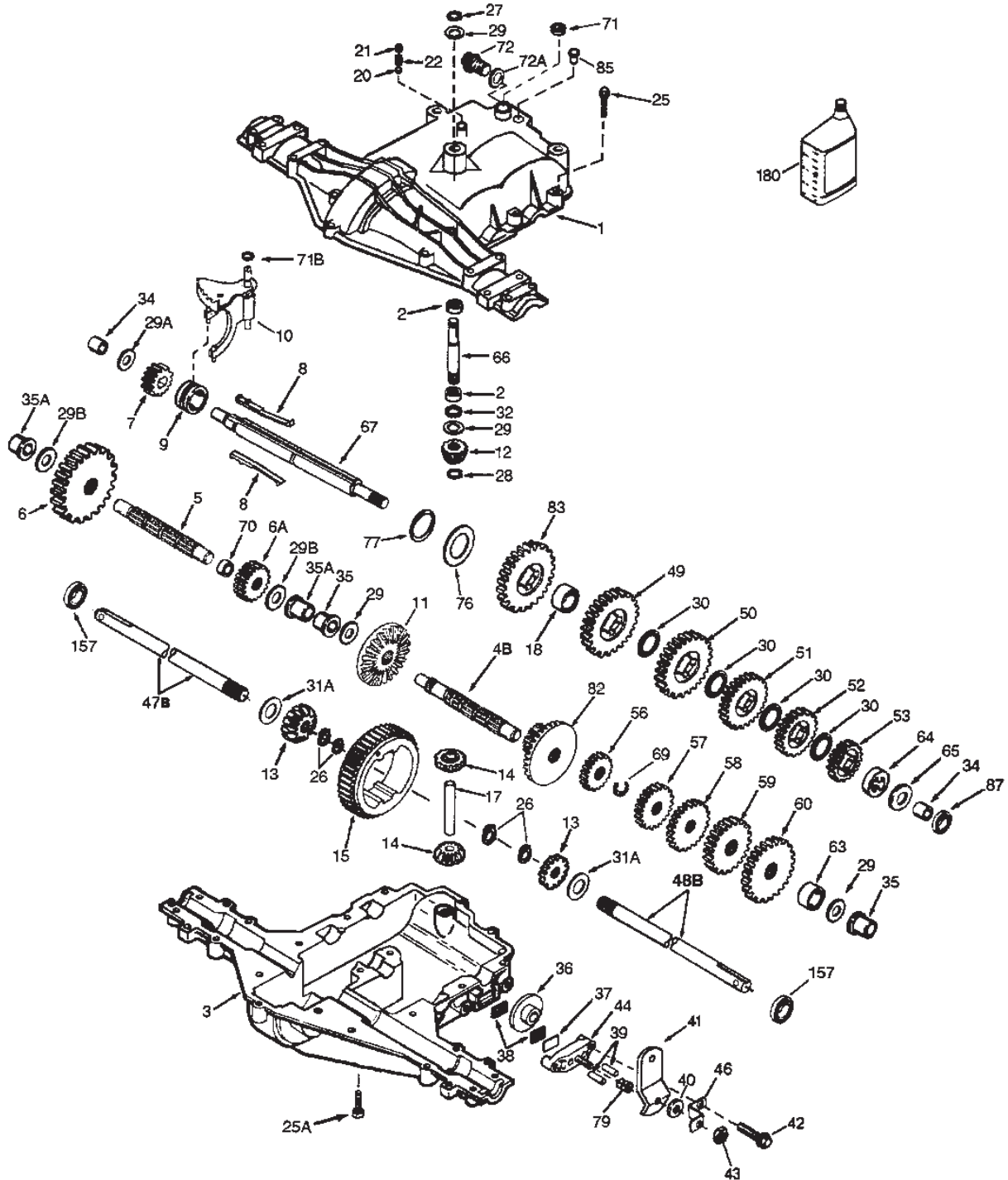
Utgåva Issue 45 - 2014		Styrning Steering			
Pos. Fig.	Antal Quantity	Art nr Part No	Benämning	Description	Anmärkning Notes
2	2	1134-9025-01	Linhjul	Steering Pulley	Innehåller/contains 2
3	3	1134-0041-01	Bussning	Bushing	
4	2	1134-3022-01	Fäste	Bracket	
6	3	9997-1030-16	Skruv	Screw	
7	3	9739-1031-22	Mutter	Nut	
8	5	9699-0035-02	Bricka	Washer	
9	4	1134-2816-01	Kedjehjul	Sprocket	
11	4	1134-0041-02	Bussning	Bushing	
12	2	9997-1040-12	Skruv	Screw	
13	2	9897-1040-12	Skruv	Screw	
14	4	9739-1031-22	Mutter	Nut	
15	1	1134-2820-01	Kedja79 Länkar	Chain W/O Lock	79 länk/links
16	2	1134-2824-01	Kedjelås	Chain Lock	
19	1	1134-2817-01	Styrwire	Steering Cable Left	L = 939 mm
20	1	1134-2817-02	Styrwire	Steering Cable,Rh	L = 990 mm
21	2	1134-2818-01	Fjäder	Spring	
21	2	1134-3817-01	Fjäder	Spring	
22	2	9699-0090-02	Bricka	Washer	
23	2	9747-0831-02	Mutter Låsmutter	Nut	
24	1	1134-1966-03	Ratt	Steering Wheel	
25	1	9595-0262-00	Spännstift	Locating Pin Elastic Pin	
26	1	9699-0114-02	Bricka	Washer	1.0 mm
26	1	9699-0103-02	Bricka	Washer	0.5 mm
29	1	1134-1305-03	Rattrör Nedre	Steering Column,Lower	
30	2	1134-1901-01	Lager	Bearing	
31	2	9942-0612-16	Skruv	Screw	
32	1	1134-2821-01	Rattstång	Steering Rod	
33	1	1134-2837-01	Distans	Spacer	



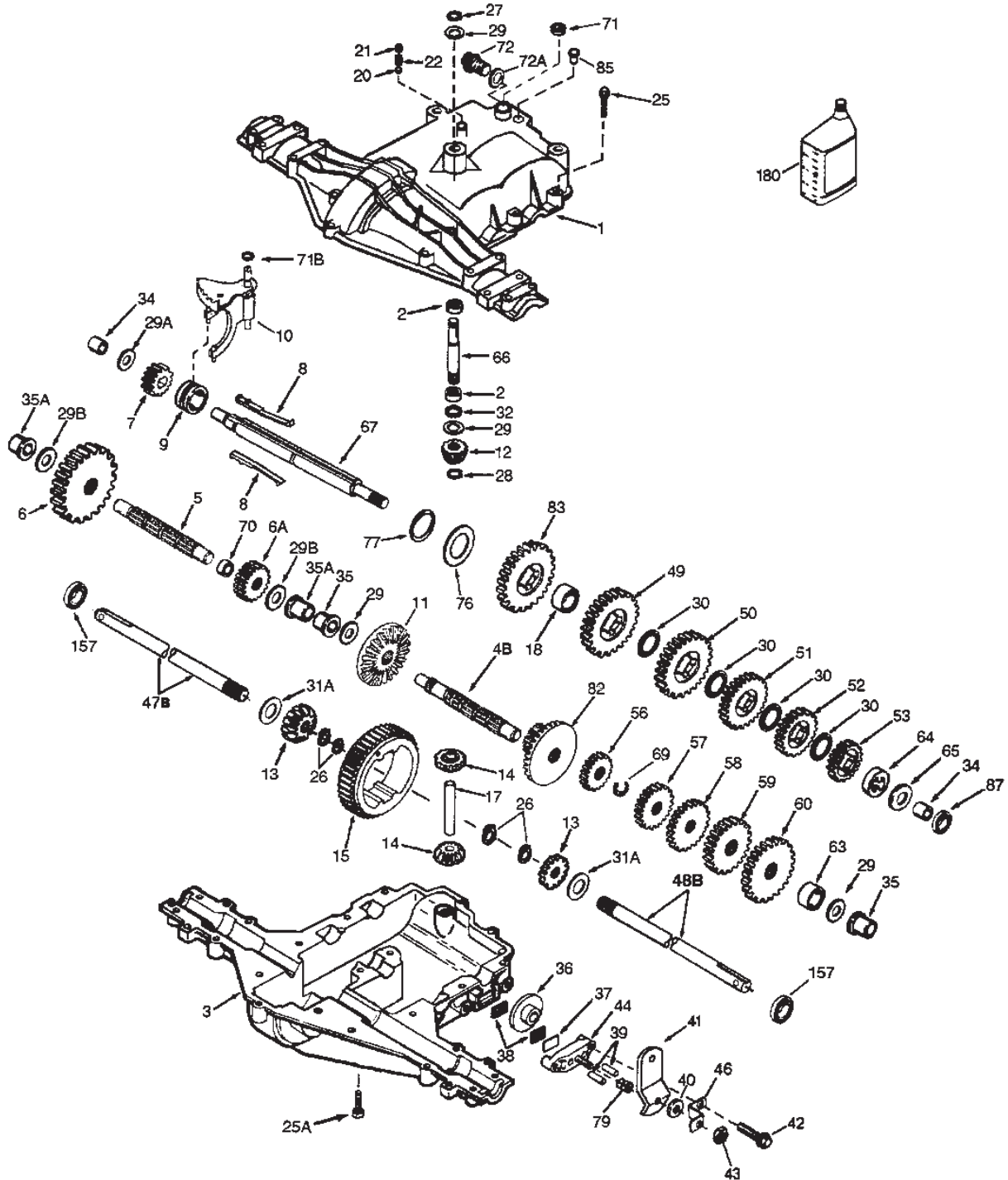
Utgåva Issue 45 - 2014		Sits	Seat		
Pos. Fig.	Antal Quantity	Art nr Part No	Benämning	Description	Anmärkning Notes
1	1	1134-2541-01	Sits Suburban	Seat	1168,1171,1172,1446
1	1	1134-0800-06	Sits Sears Sa (9407-0003-01)	Seat Sears	1442
1	1	1134-2541-01	Sits Suburban	Seat	
2	2	1134-2961-01	Sitsadapter 5-01 24	Seat Adapter	
3	2	9898-0820-16	Skruv	Screw	
4	4	9988-3616-16	Skruv	Screw	
5	4	9675-0017-02	Låsbricka	Starlock	
6	1	1134-3618-01	Sitsfäste Kpl. 5-01 14	Seat Attachment-R.H.	
10	1	1134-3618-02	Sitsfäste Kpl. 5-01 14	Seat Attachment-L.H.	
11	2	9699-0062-02	Bricka	Washer	
12	2	1134-1711-01	Knopp	Knob	
13	1	1134-1652-01	Fjäder	Spring	
14	1	1134-0050-00	Sitsstång	Seat Rod	
18	2	1134-1650-01	Parallellstag	Tie Bar	
20	1	1134-0493-00	Mutter	Nut	
21	1	1134-0015-00	Sitsfjäder	Seat spring	
22	2	9799-0831-02	Mutter	Nut	
28	1	1134-2846-01	Rör	Tube	
30	1	1134-1883-01	Axel	Axle	
31	1	1134-0022-00	Reglagestång	Control Rod	
32	2	9672-0004-02	Starlock	Starlock	
36	1	1134-2163-01	Spännstång Kpl.	Rod	
37	1	1134-2166-01	Distans	Spacer	
48	1	1134-2454-01	Axel	Shaft	
49	2	9672-0006-02	Starlock	Lock washer	
50	1	1134-2847-01	Mellanstag	Shaft	



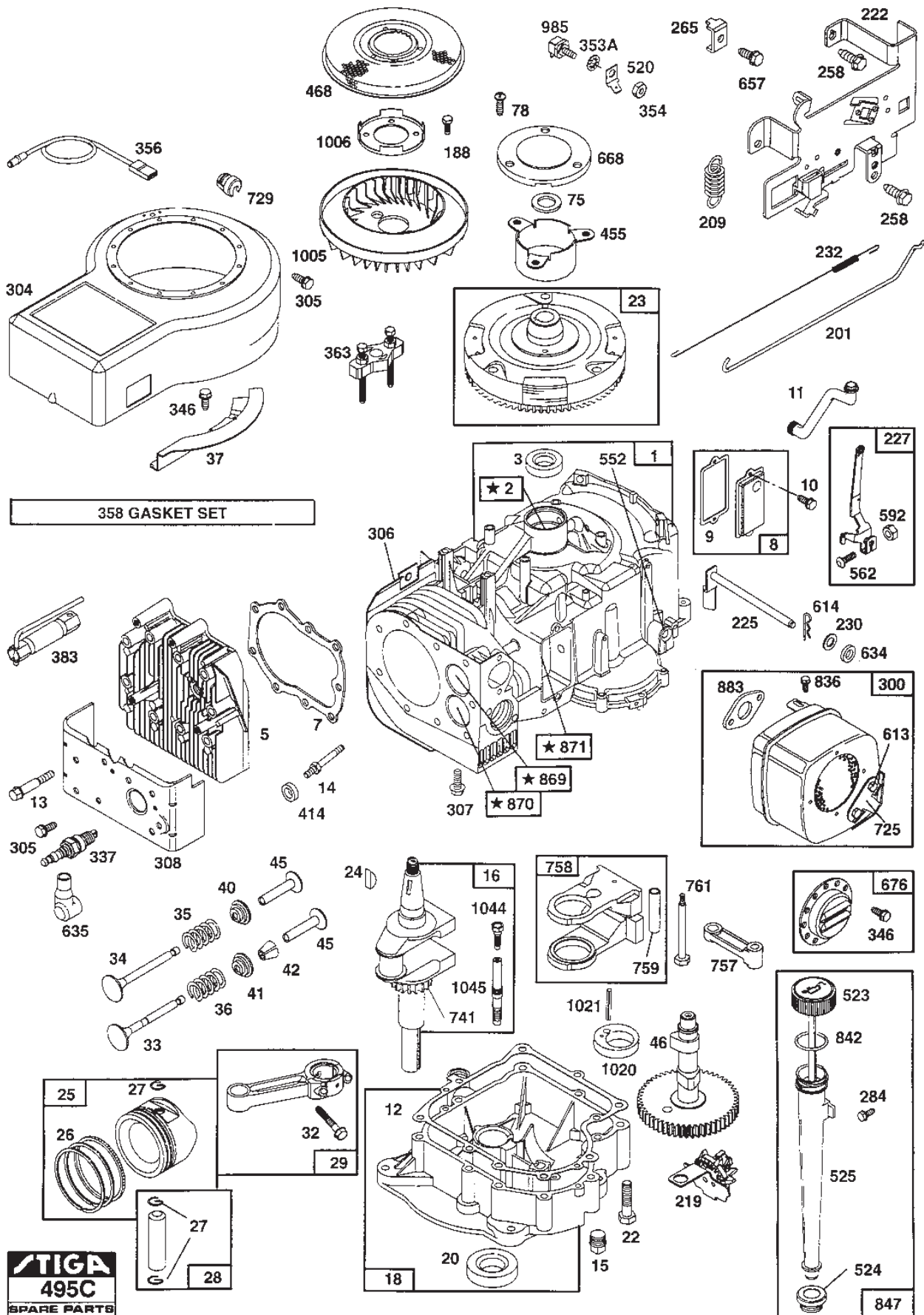
Utgåva Issue 45 - 2014		Manuell Redskapslyft		Manual Lifting Device	
Pos. Fig.	Antal Quantity	Art nr Part No	Benämning	Description	Anmärkning Notes
0	1	1134-0410-08	röds kapslyft Smstpark	Lifting Device Assy	
1	1	9403-0110-01	Höjdinst.Handtag Ej Kapad	Handle	
2	1	1134-0859-03	Svärd	Bar	
3	1	1134-0858-00	Tryckstång	Push Rod	
4	1	1134-1889-01	Skruvögla	Eye Bolt	
5	1	1111-0053-00	Fjäder	Spring	
6	2	9739-0631-22	Mutter	Nut	
7	1	1134-0583-00	Knopp	Knob	
8	2	9595-0258-00	Spännstift	Locating Pin	
9	1	1134-1884-01	Lyftaxel	Lifting Shaft	
10	1	1134-2911-01	Låshake	Locking Pawl	
11	1	9675-0008-02	Starlockbricka	Starlock	
12	1	9675-0012-02	Starlock	Locking washer	
13	2	1134-2684-01	Lager	Bearing	
14	1	1134-0536-00	Lyftsegment	Locking Plate	
15	1	1134-0857-00	Arm Kpl.	Arm	
16	2	9739-1031-22	Mutter	Nut	
19	2	9959-1020-16	Skruv	Screw	
20	2	9699-0025-02	Bricka	Washer	
21	1	9646-0099-22	Nit Kn 8X30	Rivet	



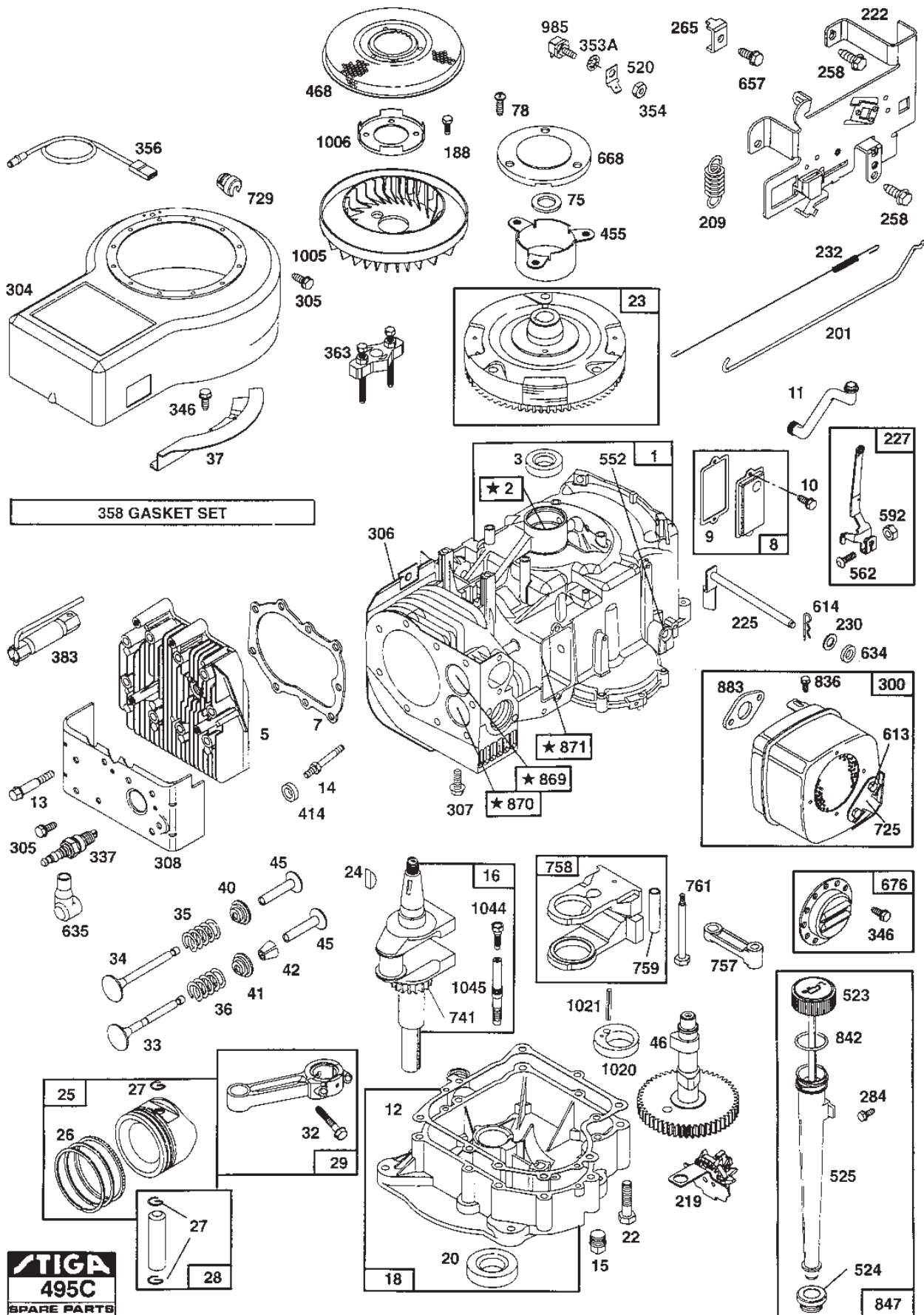
Utgåva Issue 45 - 2014		Tecumseh Peerless Transaxel Mst 205-529A		Tecumseh Peerless Transaxle Mst 205-529A	
Pos. Fig.	Antal Quantity	Art nr Part No	Benämning	Description	Anmärkning Notes
0	1	1134-3716-01	Transaxle assy	Transaxle assy	
1	1	772144	Cover	Cover	
2	2	780086	Nållager	Needle bearing	
3	1	770128	Hus	Case	
4	1	776406	Axel	Shaft	
5	1	776409	Axel	Shaft	
6	1	778364	Drev	Gear	38T
6	1	778365	Gear	Gear	15T
7	1	778330	Drev	Gear	11T
8	2	792136	Kil	Key	
9	1	784352	Hylsa	Collar	
10	1	784378	Växelförare	Shift rod and fork	
11	1	778334	Drev	Bevel gear	30T
12	1	778309	Drev	Bevel pinion	13T
13	2	778221	Bevel gear	Bevel gear	16T
14	2	778068	Bevel pinion gear	Bevel pinion gear	16T
15	1	778312	Ring gear	Ring gear	43T
17	1	786139	Stift	Drive pin	
18	1	786102	Distans	Spacer	
20	1	792077	Kula	Steel ball	
21	1	792078	Skruv	Screw	
22	1	792079	Fjäder	Spring	
25	2	792177	Skruv	Screw	35 mm
25	16	792073	Skruv	Screw	
26	4	792125	Låsring	Retainer ring	Sats 2 st/Pkg of 2
27	1	792035	Låsring	Retainer ring	
28	1	788040	Låsring	Retainer ring	
29	4	780072	Bricka	Thrust Washer	
29	1	780160	Bricka	Washer	
29	2	780165	Bricka	Thrust Washer	
30	4	780108	Bricka	Thrust Washer	
31	2	780195	Bricka	Washer	
32	1	788083	O-ring	O-ring	
34	2	780194	Bussning	Bushing	
35	2	780193	Flänsbussning	Flange bushing	ID = 5/8"
35	2	780197	Flänsbussning	Flange bushing	ID = 3/4"
36	1	790075	Bromsskiva	Brake Disc	
37	1	790007	Tryckplatta	Brake pad plate	
38	2	799021	Bromsbelägg	Brake pad	Sats 2 st/Pkg of 2
39	2	786026	StyrSprint Styrpinne	Dowel pin	
40	1	792076	Planbricka Bricka	Flat washer Washer	
41	1	790008	Bromsarm	Brake Lever	
42	2	792073	Skruv	Screw	
43	1	792075	Låsmutter	Nut	
44	1	790025	Hållare	Brake pad holder	
46	1	786086	Fäste	Brake lever bracket	
47	1	774895	Axel	Axle	11-1/4" (286 mm)
48	1	774896	Axel	Axle	15-7/8" (403 mm)
49	1	778356	Drev	Gear	29T



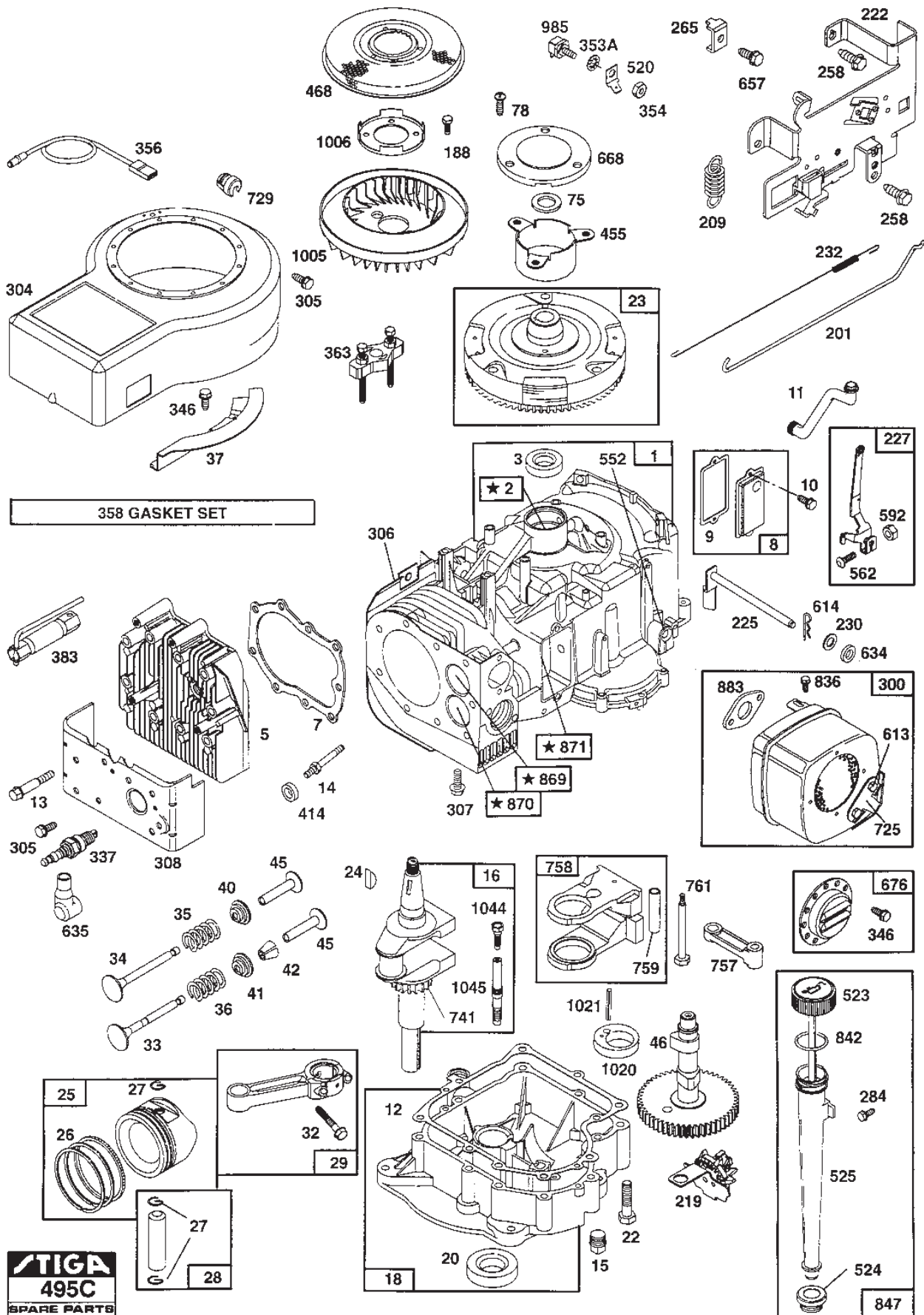
Utgåva Issue 45 - 2014		Tecumseh Peerless Transaxel Mst 205-529A		Tecumseh Peerless Transaxle Mst 205-529A	
Pos. Fig.	Antal Quantity	Art nr Part No	Benämning	Description	Anmärkning Notes
50	1	778354	Drev	Gear	23T
51	1	778352	Drev	Gear	19T
52	1	778350	Drev	Gear	16T
53	1	778346	Drev	Gear	15T
56	1	778355	Drev	Gear	11T
57	1	778353	Drev	Gear	17T
58	1	778351	Drev	Gear	21T
59	1	778349	Drev	Gear	24T
60	1	778345	Drev	Gear	25T
63	1	786071	Distans	Spacer	
64	1	786072	Distans	Spacer	
65	1	780189	Bricka	Thrust Washer	
66	1	776394	Ingående axel	Input shaft	
67	1	776396	Bromsaxel	Brake shaft	
69	1	792170	Låsring	Retaining ring	
70	1	786178	Distans	Spacer	
71	1	788092	O-ring	O-ring	
71	1	788069	Tätning	Seal	
72	1	788091	O-ring	O-ring	
72	1	792165	Threaded Plug	Threaded Plug	
76	1	780090	Bricka	Washer	
77	1	788078	Låsring	Retaining ring	
79	1	792144	Fjäder	Spring	
82	1	778363	Drev	Gear	307 + 13T
83	1	778338	Drev	Gear	27T
85	1	792154	Plugg	Pipe plug	
87	1	788089	Tätning	Oil seal	
157	2	788088	Tätning	Oil seal	
180	1	730229	Växellådsolja	Gear oil	80W90



Utgåva Issue 45 - 2014		Cylinder Vevhus	Cylinder Crankcase		
Pos. Fig.	Antal Quantity	Art nr Part No	Benämning	Description	Anmärkning Notes
1	1	496413	Cylinder	Cylinder	
2	1	399265	Bussning	Bushing	
3	1	391086	Tätningring	Seal	
5	1	494240	Topplöck	Cylinder Head	
7	1	271866	Packning	Gasket	
8	1	495735	Vevhusventilation	Breather	
9	1	27803	Packning	Gasket	
10	2	94621	Skruv	Screw	
11	1	281246	Rör	Tube	
12	1	271916	Packning	Gasket	
13	8	94622	Skruv	Screw	
13	9	94622	Skruv	Screw	
14	1	94776	Stud	Stud	
15	1	94239	Oil drain plug	Oil drain plug	
16	1	495162	Crankshaft	Crankshaft	
18	1	494238	Vevhus	Oil sump	
20	1	291675	Tätningring	Oil Seal Oil seal	
22	6	94624	Skruv	Screw	
23	1	492326	Flywheel	Flywheel	
24	1	222698	Kil	Key	
25	1	394661	Kolv kpl	Piston Assy	
25	1	499282	Kolv	Piston	
26	1	391780	Ring set	Ring set	
27	2	260924	Låsring	Lock	
27	2	263129	Låsring	Lock	
28	1	299691	Kolvsprint	Piston Pin	
28	1	498319	Kolvsprint	Piston Pin	
29	1	490348	Vevstake kpl	Connecting rod assy	
32	2	94671	Skruv	Screw	
32	2	95017	Skruv	Screw	
33	1	262246	Utblåsningventil	Exhaust valve	
34	1	262247	Insugningsventil	Intake valve	
35	1	65906	Ventilfjäder-insug	Valve spring-intake	
36	1	26828	Ventilfjäder-utblås	Valve spring-exhaust	
37	1	224502	Guard	Guard	
40	1	221596	Hållare	Retainer	
41	1	292260	Rotator	Rotocoil	
42	2	494553	Retainer	Retainer	
45	2	262248	Ventillyftare	Valve tappet	
46	1	212897	Kamaxel	Camshaft	
75	1	225136	Bricka	Washer	
78	3	94626	Skruv	Screw	
188	3	94627	Skruv	Screw	
201	1	262767	Governor link	Governor link	
209	1	260695	Fjäder	Spring	
209	1	261306	Fjäder	Spring	
219	1	490815	Oljekastardrev	Oil slinger gear	
222	1	495611	Governor plate	Governor plate	
225	1	495157	Governor crank	Governor crank	

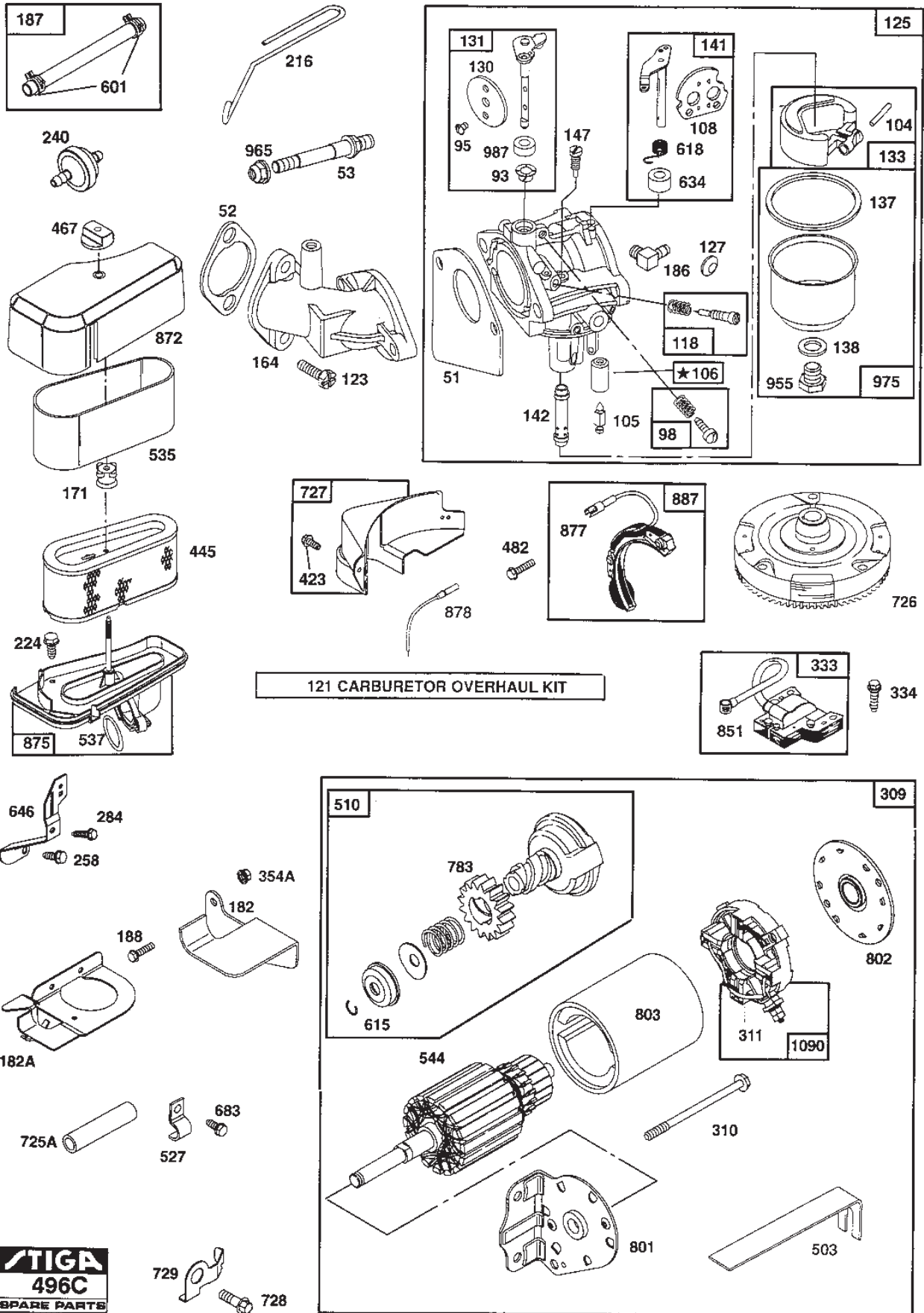


Utgåva Issue 45 - 2014		Cylinder Vevhus	Cylinder Crankcase		
Pos. Fig.	Antal Quantity	Art nr Part No	Benämning	Description	Anmärkning Notes
227	1	493935	Arm	Lever	
230	2	94927	Bricka	Washer	
232	1	262785	Fjäder	Spring	
258	2	94929	Skruv	Screw	
265	1	221535	Klämma	Clamp	
284	1	94073	Skruv	Screw	
284	1	94903	Skruv	Screw	
300	1	491413	Ljuddämpare	Muffler	
304	1	496318	Blower housing	Blower housing	
304	1	496319	Blower housing	Blower housing	
305	4	94786	Skruv	Screw	
306	1	224545	Shield	Shield	
307	1	94930	Skruv	Screw	
308	1	491490	Skydd	Cover	
337	1	1111-9028-02	Tändstift (J19Lm)	Spark Plug (J19Lm)	Champion J19LM
337	1	9400-0225-00	Tändstift (J19Lm)	Spark Plug (J19Lm)	Champion J19LM
346	2	94896	Skruv	Screw	
346	4	94896	Skruv	Screw	
353	1	92791	Bricka	Washer	
354	1	90576	Mutter	Nut	
356	1	494328	Ground wire	Ground wire	
358	1	494241	Packningssats-motor	Gasket set-engine	Märkta/marked S
363	1	19203	Avdragare	Puller	Tillbehör/Accessory
383	1	1111-9029-01	Tändstiftsnyckel (19 Mm-21 Mm)	Spark Plug Wrench (19 Mm-21 Mm)	Tillbehör/Accessory
414	1	231109	Distans	Spacer	
455	1	222561	Kopp	Cup	
468	1	224517	Nät	Screen	
520	1	93722	Anslutningsbleck	Terminal	
523	1	495229	Oil dipstick	Oil dipstick	
524	1	281370	Seal	Seal	
525	1	496068	Rör	Tube	
552	1	491986	Bussning	Bushing	
562	1	94907	Skruv	Screw	
592	1	231978	Mutter	Nut	
613	2	93927	Skruv	Screw	
614	1	93306	Låsnål	Cotter Pin Cotter pin	
634	1	491323	Oil seal	Oil seal	
635	1	66538	Tändstiftsskydd	Spark plug elbow	
657	1	93496	Skruv	Screw	
657	1	94906	Skruv	Screw	
668	1	280848	Distans	Spacer	
676	1	397630	Deflektor	Deflector	
725	1	223023	Ljuddämparskydd	Muffler Protection	
729	1	281159	Clip	Clip	
741	1	262932	Gear	Gear	
757	1	213998	Länk	Link	
758	1	399891	Balanseringsvikt	Counterweight	
759	1	298909	Kolvspind	Piston Pin	

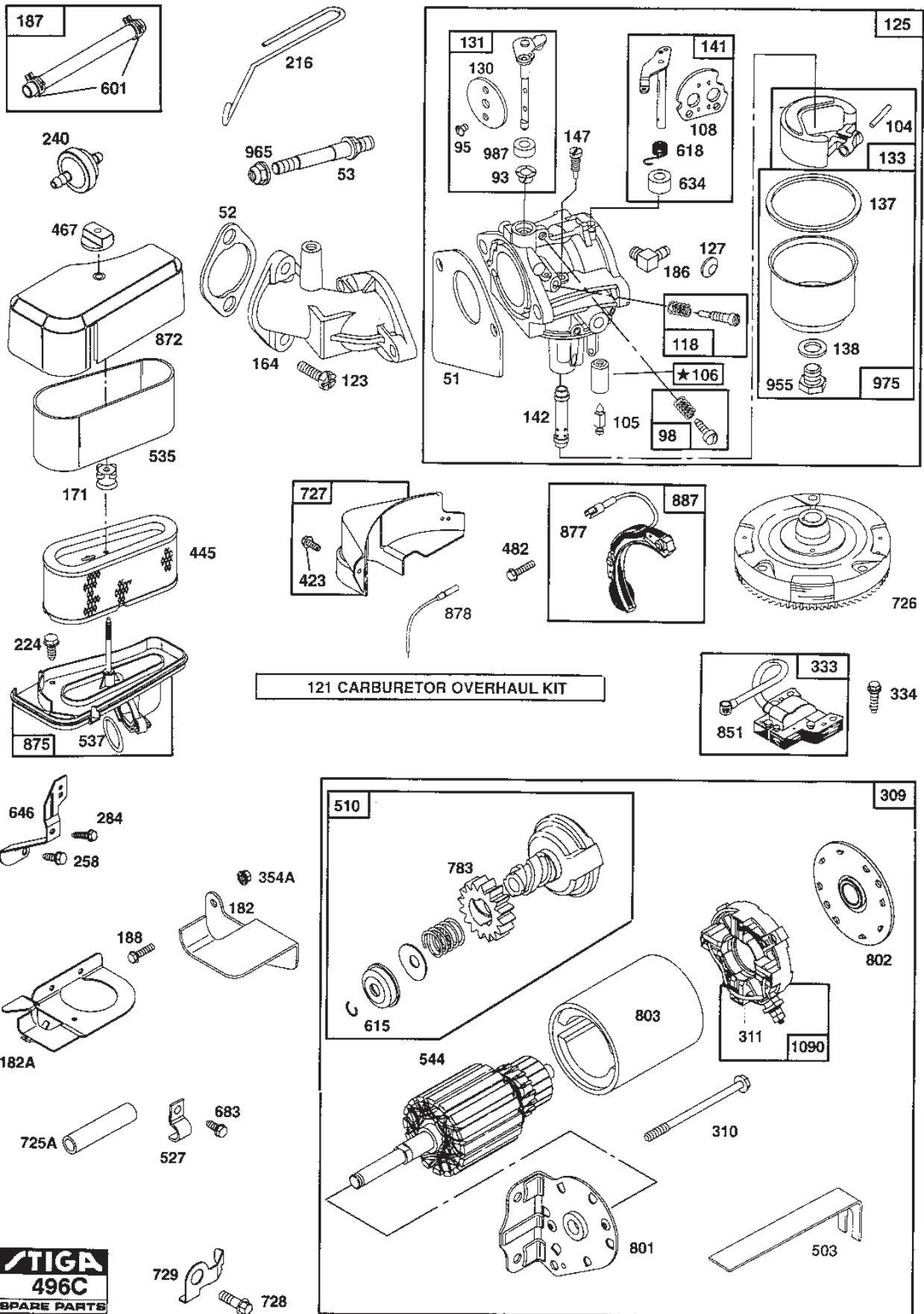


STIGA
495C
SPARE PARTS

Utgåva Issue 45 - 2014		Cylinder Vevhus Cylinder Crankcase			
Pos. Fig.	Antal Quantity	Art nr Part No	Benämning	Description	Anmärkning Notes
761	2	94593	Skruv	Screw	
836	1	94863	Skruv	Screw	
842	1	270920	Tätning	Seal	
847	1	496367	Oljesticka kpl	Oil filler group	
869	1	261463	Ventilsäte	Valve seat	
870	1	262924	Valve seat-exhaust	Valve seat-exhaust	
871	1	231218	Ventilstyrning-insug	Valve guide-intake	
871	1	261961	Ventilstyrning-utblås	Valve guide-exhaust	
883	1	272293	Packning	Gasket	
985	1	398525	Isolator	Insulator	
1005	1	280687	Fläkt	Fan	
1006	1	224413	Hållare	Fan retainer	
1020	1	262243	Excenter	Eccentric	
1021	1	94853	Stift	Pin	
1044	1	94673	Skruv	Screw	
1045	1	231828	Crankshaft extension	Crankshaft extension	



Utgåva Issue 45 - 2014		Förgasare Startmotor		Carburettor Starter Motor	
Pos. Fig.	Antal Quantity	Art nr Part No	Benämning	Description	Anmärkning Notes
51	1	272465	Packning	Gasket	
52	1	272554	Packning	Gasket	
53	2	94637	Skruv	Screw	
93	1	281346	Bussning	Bushing	
95	1	94098	Skruv	Screw	
95	2	94098	Skruv	Screw	
98	1	495800	Skruv	Screw	
104	1	231789	Axel	Shaft	
105	1	231855	Nålventil	Inlet needle valve	
106	1	231854	Valve seat	Valve seat	
108	1	224666	Choke valve	Choke valve	
118	1	496589	Nålventil	Needle valve	
121	1	497481	Reparationssats	Overhaul kit	Märkta/marked F
121	1	499231	Reparationssats	Overhaul kit	
123	2	94616	Skruv	Screw	
123	2	94913	Skruv	Screw	
125	1	496592	Förgasare kpl	Carburettor Assy	
125	1	499161	Förgasare kpl	Carburettor Assy	
130	1	224668	Gasspjäll	Throttle Valve	
131	1	494885	Axel	Shaft	
133	1	494381	Flottör	Float	
137	1	281165	Packning	Gasket	
138	1	281164	Bricka	Washer	
141	1	495931	Choke shaft	Choke shaft	
142	1	497860	Nozzle	Nozzle	
142	1	499039	Nozzle	Nozzle	
147	1	231983	Nozzle	Nozzle	
164	1	213819	Carburettor elbow	Carburettor elbow	
171	1	281051	Mutter	Nut	
182	1	223866	Tank bracket-L.H.	Tank bracket-L.H.	
182	1	222980	Tank bracket-R.H.	Tank bracket-R.H.	
186	1	493496	Fuel pipe elbow	Fuel pipe elbow	
187	1	296004	Fuel pipe	Fuel pipe	
187	1	393815	Bränsleledning	Fuel line	
188	1	94627	Skruv	Screw	
216	1	262766	Choke link	Choke link	
224	1	94729	Skruv	Screw	
224	1	94905	Skruv	Screw	
240	1	298090	Bränslefilter	Fuel Filter	
258	1	94929	Skruv	Screw	
284	1	94704	Skruv	Screw	
284	1	94903	Skruv	Screw	
309	1	497595	Starter motor	Starter motor	
310	2	94003	Skruv	Screw	
311	4	497608	Brush set	Brush set	
333	1	492341	Armature magneto	Armature magneto	
334	2	94731	Skruv	Screw	
354	1	94726	Mutter	Nut	
423	2	94073	Skruv	Screw	



STIGA
496C
SPARE PARTS

Utgåva Issue 45 - 2014		Förgasare Startmotor	Carburettor Starter Motor		
Pos. Fig.	Antal Quantity	Art nr Part No	Benämning	Description	Anmärkning Notes
423	2	94903	Skruv	Screw	
445	1	493910	Cartridge	Cartridge	
467	1	493903	Lås ratt	Knob	
482	2	93621	Skruv	Screw	
503	1	806000	Strap	Strap	
510	1	497606	Startdrev	Drive	
527	1	221428	Clamp	Clamp	
535	1	272477	Luftfilterelement	Filter Element	
537	1	281106	O-ring	O-ring	
544	1	497603	Armature	Armature	
601	2	93053	Slangklämma	Hose clamp	
615	1	263080	Retainer	Retainer	
618	1	262803	Fjäder	Spring	
634	1	494455	Seal-spring	Seal-spring	
634	1	281168	Bricka	Washer	
646	1	224546	Brace	Brace	
683	1	94929	Skruv	Screw	
725	1	222175	Värmskydd	Heat shield	
726	1	392134	Kuggkrans	Gear ring	
726	1	399676	Kuggkrans	Gear ring	
727	1	490324	Skyddskåpa	Cover	
728	2	94773	Skruv	Screw	
728	2	94951	Skruv	Screw	
729	1	225170	Wire retainer	Wire retainer	
783	1	280104	Drev	Gear	
801	1	394856	Lock	Drive end cap	
802	1	497607	Botten	End Cap	
803	1	497604	Hus	Housing	
851	1	493880	Terminal	Terminal	
872	1	281105	Cover	Cover	
875	1	496368	Filterhus	Filter body	
877	1	393814	Connector	Connector	
878	1	393422	Kabelhärva	Harness	
887	1	391529	Stator	Stator	
955	1	94642	Skruv	Screw	
965	2	94010	Mutter	Nut	
975	1	494378	Bowl	Bowl	
975	1	495933	Bowl	Bowl	
987	1	281166	Seal	Seal	
1090	1	497605	Brush set	Brush set	

code	pos.	q.ty	page										
94622	13	8	p. 31	261306	209	1	p. 31	493903	467	1	p. 39		
94622	13	9	p. 31	261463	869	1	p. 35	493910	445	1	p. 39		
94624	22	6	p. 31	261961	871	1	p. 35	493935	227	1	p. 33		
94626	78	3	p. 31	262243	1020	1	p. 35	494238	18	1	p. 31		
94627	188	1	p. 37	262246	33	1	p. 31	494240	5	1	p. 31		
94627	188	3	p. 31	262247	34	1	p. 31	494241	358	1	p. 33		
94637	53	2	p. 37	262248	45	2	p. 31	494328	356	1	p. 33		
94642	955	1	p. 39	262766	216	1	p. 37	494378	975	1	p. 39		
94671	32	2	p. 31	262767	201	1	p. 31	494381	133	1	p. 37		
94673	1044	1	p. 35	262785	232	1	p. 33	494455	634	1	p. 39		
94704	284	1	p. 37	262803	618	1	p. 39	494553	42	2	p. 31		
94726	354	1	p. 37	262924	870	1	p. 35	494885	131	1	p. 37		
94729	224	1	p. 37	262932	741	1	p. 33	495157	225	1	p. 31		
94731	334	2	p. 37	263080	615	1	p. 39	495162	16	1	p. 31		
94773	728	2	p. 39	263129	27	2	p. 31	495229	523	1	p. 33		
94776	14	1	p. 31	270920	842	1	p. 35	495611	222	1	p. 31		
94786	305	4	p. 33	271866	7	1	p. 31	495735	8	1	p. 31		
94853	1021	1	p. 35	271916	12	1	p. 31	495800	98	1	p. 37		
94863	836	1	p. 35	272293	883	1	p. 35	495931	141	1	p. 37		
94896	346	2	p. 33	272465	51	1	p. 37	495933	975	1	p. 39		
94896	346	4	p. 33	272477	535	1	p. 39	496068	525	1	p. 33		
94903	284	1	p. 33	272554	52	1	p. 37	496318	304	1	p. 33		
94903	284	1	p. 37	280104	783	1	p. 39	496319	304	1	p. 33		
94903	423	2	p. 39	280687	1005	1	p. 35	496367	847	1	p. 35		
94905	224	1	p. 37	280848	668	1	p. 33	496368	875	1	p. 39		
94906	657	1	p. 33	281051	171	1	p. 37	496413	1	1	p. 31		
94907	562	1	p. 33	281105	872	1	p. 39	496589	118	1	p. 37		
94913	123	2	p. 37	281106	537	1	p. 39	496592	125	1	p. 37		
94927	230	2	p. 33	281159	729	1	p. 33	497481	121	1	p. 37		
94929	258	1	p. 37	281164	138	1	p. 37	497595	309	1	p. 37		
94929	258	2	p. 33	281165	137	1	p. 37	497603	544	1	p. 39		
94929	683	1	p. 39	281166	987	1	p. 39	497604	803	1	p. 39		
94930	307	1	p. 33	281168	634	1	p. 39	497605	1090	1	p. 39		
94951	728	2	p. 39	281246	11	1	p. 31	497606	510	1	p. 39		
95017	32	2	p. 31	281346	93	1	p. 37	497607	802	1	p. 39		
212897	46	1	p. 31	281370	524	1	p. 33	497608	311	4	p. 37		
213819	164	1	p. 37	291675	20	1	p. 31	497860	142	1	p. 37		
213998	757	1	p. 33	292260	41	1	p. 31	498319	28	1	p. 31		
221428	527	1	p. 39	296004	187	1	p. 37	499039	142	1	p. 37		
221535	265	1	p. 33	298090	240	1	p. 37	499161	125	1	p. 37		
221596	40	1	p. 31	298909	759	1	p. 33	499231	121	1	p. 37		
222175	725	1	p. 39	299691	28	1	p. 31	499282	25	1	p. 31		
222561	455	1	p. 33	391086	3	1	p. 31	730229	180	1	p. 29		
222698	24	1	p. 31	391529	887	1	p. 39	770128	3	1	p. 27		
222980	182	1	p. 37	391780	26	1	p. 31	772144	1	1	p. 27		
223023	725	1	p. 33	392134	726	1	p. 39	774895	47	1	p. 27		
223866	182	1	p. 37	393422	878	1	p. 39	774896	48	1	p. 27		
224413	1006	1	p. 35	393814	877	1	p. 39	776394	66	1	p. 29		
224502	37	1	p. 31	393815	187	1	p. 37	776396	67	1	p. 29		
224517	468	1	p. 33	394661	25	1	p. 31	776406	4	1	p. 27		
224545	306	1	p. 33	394856	801	1	p. 39	776409	5	1	p. 27		
224546	646	1	p. 39	397630	676	1	p. 33	778068	14	2	p. 27		
224666	108	1	p. 37	398525	985	1	p. 35	778221	13	2	p. 27		
224668	130	1	p. 37	399265	2	1	p. 31	778309	12	1	p. 27		
225136	75	1	p. 31	399676	726	1	p. 39	778312	15	1	p. 27		
225170	729	1	p. 39	399891	758	1	p. 33	778330	7	1	p. 27		
231109	414	1	p. 33	490324	727	1	p. 39	778334	11	1	p. 27		
231218	871	1	p. 35	490348	29	1	p. 31	778338	83	1	p. 29		
231789	104	1	p. 37	490815	219	1	p. 31	778345	60	1	p. 29		
231828	1045	1	p. 35	491323	634	1	p. 33	778346	53	1	p. 29		
231854	106	1	p. 37	491413	300	1	p. 33	778349	59	1	p. 29		
231855	105	1	p. 37	491490	308	1	p. 33	778350	52	1	p. 29		
231978	592	1	p. 33	491986	552	1	p. 33	778351	58	1	p. 29		
231983	147	1	p. 37	492326	23	1	p. 31	778352	51	1	p. 29		
260695	209	1	p. 31	492341	333	1	p. 37	778353	57	1	p. 29		
260924	27	2	p. 31	493496	186	1	p. 37	778354	50	1	p. 29		
				493880	851	1	p. 39	778355	56	1	p. 29		

code	pos.	q.ty	page
778356	49	1	p. 27
778363	82	1	p. 29
778364	6	1	p. 27
778365	6	1	p. 27
780072	29	4	p. 27
780086	2	2	p. 27
780090	76	1	p. 29
780108	30	4	p. 27
780160	29	1	p. 27
780165	29	2	p. 27
780189	65	1	p. 29
780193	35	2	p. 27
780194	34	2	p. 27
780195	31	2	p. 27
780197	35	2	p. 27
784352	9	1	p. 27
784378	10	1	p. 27
786026	39	2	p. 27
786071	63	1	p. 29
786072	64	1	p. 29
786086	46	1	p. 27
786102	18	1	p. 27
786139	17	1	p. 27
786178	70	1	p. 29
788040	28	1	p. 27
788069	71	1	p. 29
788078	77	1	p. 29
788083	32	1	p. 27
788088	157	2	p. 29
788089	87	1	p. 29
788091	72	1	p. 29
788092	71	1	p. 29
790007	37	1	p. 27
790008	41	1	p. 27
790025	44	1	p. 27
790075	36	1	p. 27
792035	27	1	p. 27
792073	25	16	p. 27
792073	42	2	p. 27
792075	43	1	p. 27
792076	40	1	p. 27
792077	20	1	p. 27
792078	21	1	p. 27
792079	22	1	p. 27
792125	26	4	p. 27
792136	8	2	p. 27
792144	79	1	p. 29
792154	85	1	p. 29
792165	72	1	p. 29
792170	69	1	p. 29
792177	25	2	p. 27
799021	38	2	p. 27
806000	503	1	p. 39