



## ***Reservdelskatalog Parts Catalogue***

# ***PARK 13HST***

***13-1358-18 - Season 1995***

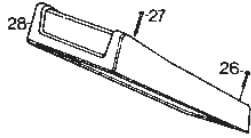
- Use GLOBAL GARDEN PRODUCT Genuine Spare Parts specified in the parts list for repair and/or replacement.
  - The contents described in the parts list may change due to improvement.
  - The drawings of the spare parts are only indicative and might not represent the part in question exactly.
  - The indications "right" - "left" - "front" - "rear" refer to the position of the operator when using the machine.
- When placing orders of parts for repair and/or replacement, make sure that the illustrated parts list is the one applying to the machine's year of manufacture, as shown on the identification plate attached to the machine.

© Copyright 2014 Global Garden Products

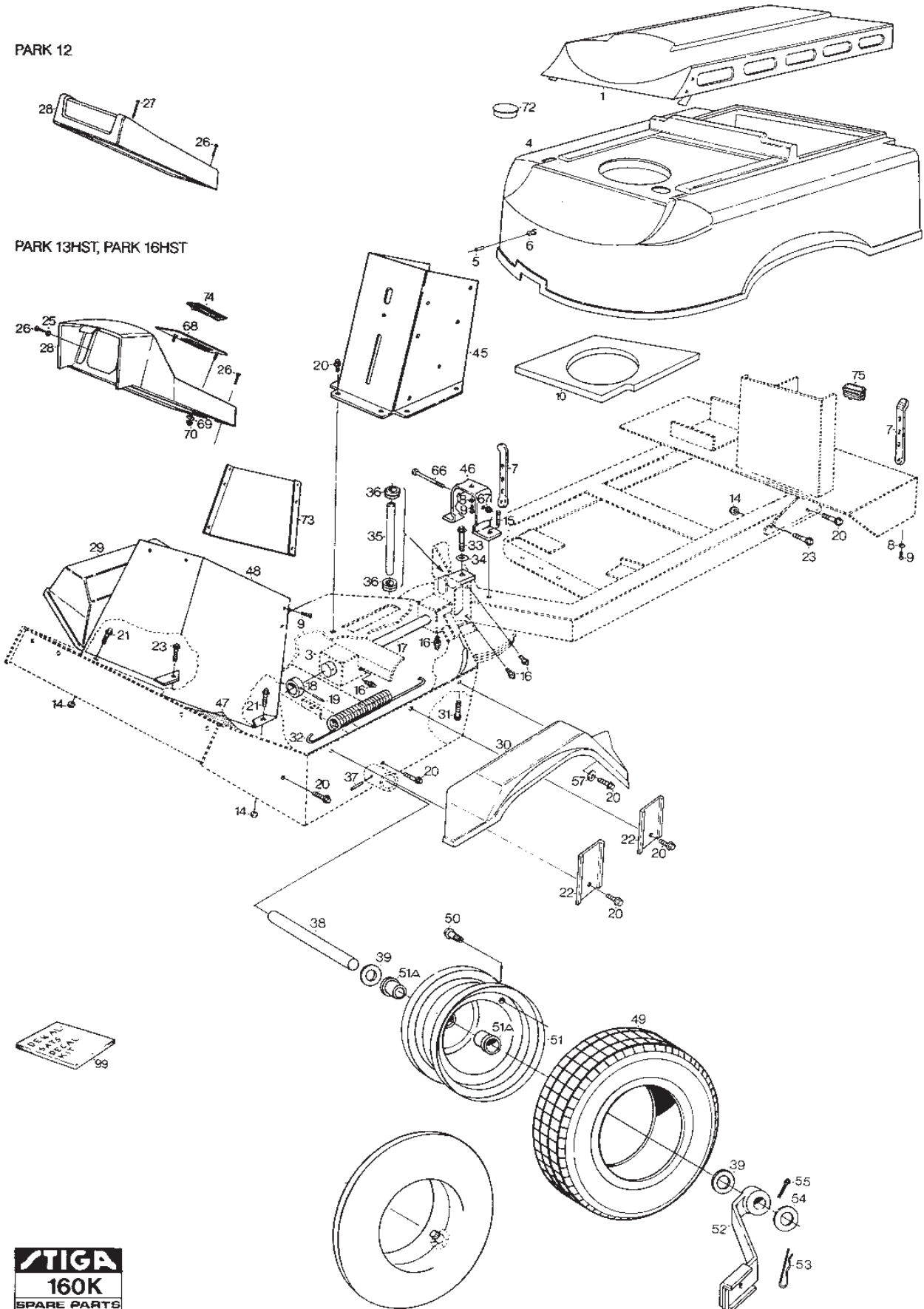
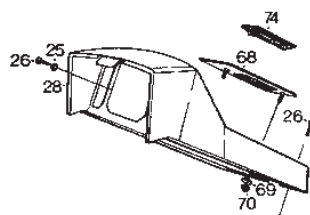
All rights reserved. No part of this material may be reproduced or transmitted, in any form or by any means, electronic or mechanical, including photocopying, recording or by any information storage and retrieval system, without permission in writing from GLOBAL GARDEN PRODUCTS.

*[www.stiga.com](http://www.stiga.com)*

PARK 12

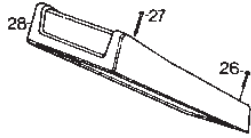


PARK 13HST, PARK 16HST

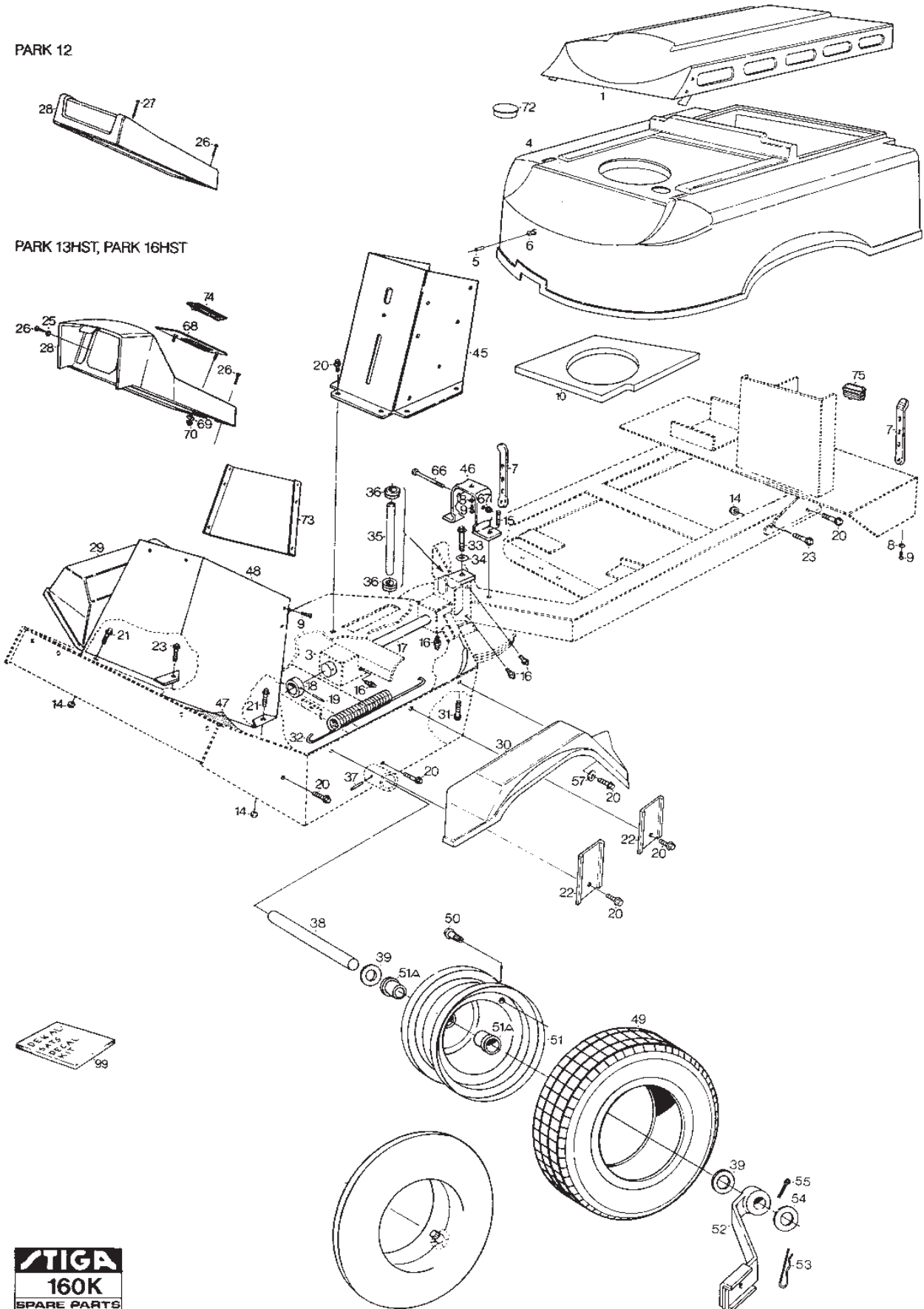
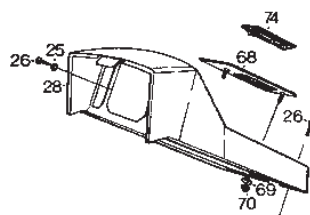


Utgåva Issue 44 - 2014		Ram	Frame		
Pos. Fig.	Antal Quantity	Art nr Part No	Benämning	Description	Anmärkning Notes
1	1	1134-2215-01	Motorlucka	Engine Cover (Black)	
3	1	1134-3411-03	Främre ram	Front frame	
4	1	1134-3215-01	Motorhuv 1-00	Engine Hood	
5	3	9632-0516-00	Popnit 9.5	Pop Rivet	
6	3	9405-0029-00	Knopp	Knob	
7	1	1134-9028-01	Gummistropp (3 St)	Rubber Strap (3 Pcs)	
8	3	9699-0087-02	Bricka	Washer	
9	3	9849-8013-16	Skruv	Screw	
10	1	1134-2053-01	Ljudisoleringsmatta	Foam Pad	15 mm
14	8	9739-0831-22	Mutter	Nut	
15	2	9942-0612-16	Skruv	Screw	
16	4	9501-0500-00	Smörjkopp Kort Rak	Grease Dispenser	
17	1	1134-1757-07	Midjegaffel M Ledaxel	Clevis	
18	1	1134-0031-00	Ledaxelstopp	Pivot Shaft Stop	
19	1	9595-0262-00	Spännstift	Locating Pin	
20	18	9942-0816-16	Skruv	Screw	
21	4	9959-0816-16	Skruv	Screw	16 mm
22	4	1134-0225-00	Stödplåt	Support Plate	
23	4	9959-0820-16	Skruv	Screw	20 mm
25	2	9699-0099-02	Bricka	Washer	
26	4	9849-8013-16	Skruv	Screw	13 mm
28	1	1134-3371-01	Instrumentpanel	Panel	
29	1	1134-2174-02	Framskärm Höger	Mudguard,Rh (Yellow)	
30	1	1134-2174-01	Framskärm Vänster	Mudguard,Lh (Yellow)	
31	1	9959-1025-16	Skruv	Screw	
32	1	1134-2171-01	Fjäder	Spring	
33	1	9959-1020-16	Skruv	Screw	
34	1	9699-0035-02	Bricka	Washer	
35	1	1134-0057-00	Centrumaxel	Centre Shaft	
36	2	9547-0001-00	Ledlager Ge17Es	Bearing	
37	2	9595-0258-00	Spännstift	Locating Pin	
38	2	1134-0075-01	Framaxeltapp	Front Axle	
39	6	1134-0341-01	Bricka	Washer	
45	1	1134-3252-02	Sitskonsol-gul	Seat Bracket-Yellow	
46	1	1134-2951-01	Huvstöd Par	Engine Cover Support	
47	1	1134-3546-01	Durkmatta Park Hst	Floor Mat	
48	1	1134-2833-10	Frontdekor Kpl 1-00 02	Front Trim Plate	
49	2	9545-0120-00	Däck	Tyre	16 x 7.50-8 (Trelleb)
49	2	9545-0116-00	Däck	Tyre	16 x 7.50-8 (Kenda)
50	2	9545-0500-00	Ventil	Valve Assy.	
51	1	1134-9026-01	Bussning	Bearing	
51	2	1134-2668-01	Fälg kpl	Rim assy	
52	2	1134-1183-04	1134-3710-01+9599-0080-02	1134-3710-01+9599-0080-02	
53	2	9598-0003-02	Hårnålssprint (Hns 4 Dubbel)	Spring Pin	
54	2	9699-0042-02	Bricka	Washer	
55	2	9599-0080-02	SaxSprint Sp 4*28	Cotter Pin	
57	2	9699-0056-02	Bricka	Washer	
66	1	9997-0670-12	Skruv	Screw	
67	1	9747-0631-02	Mutter I Låsmutter	Nut	

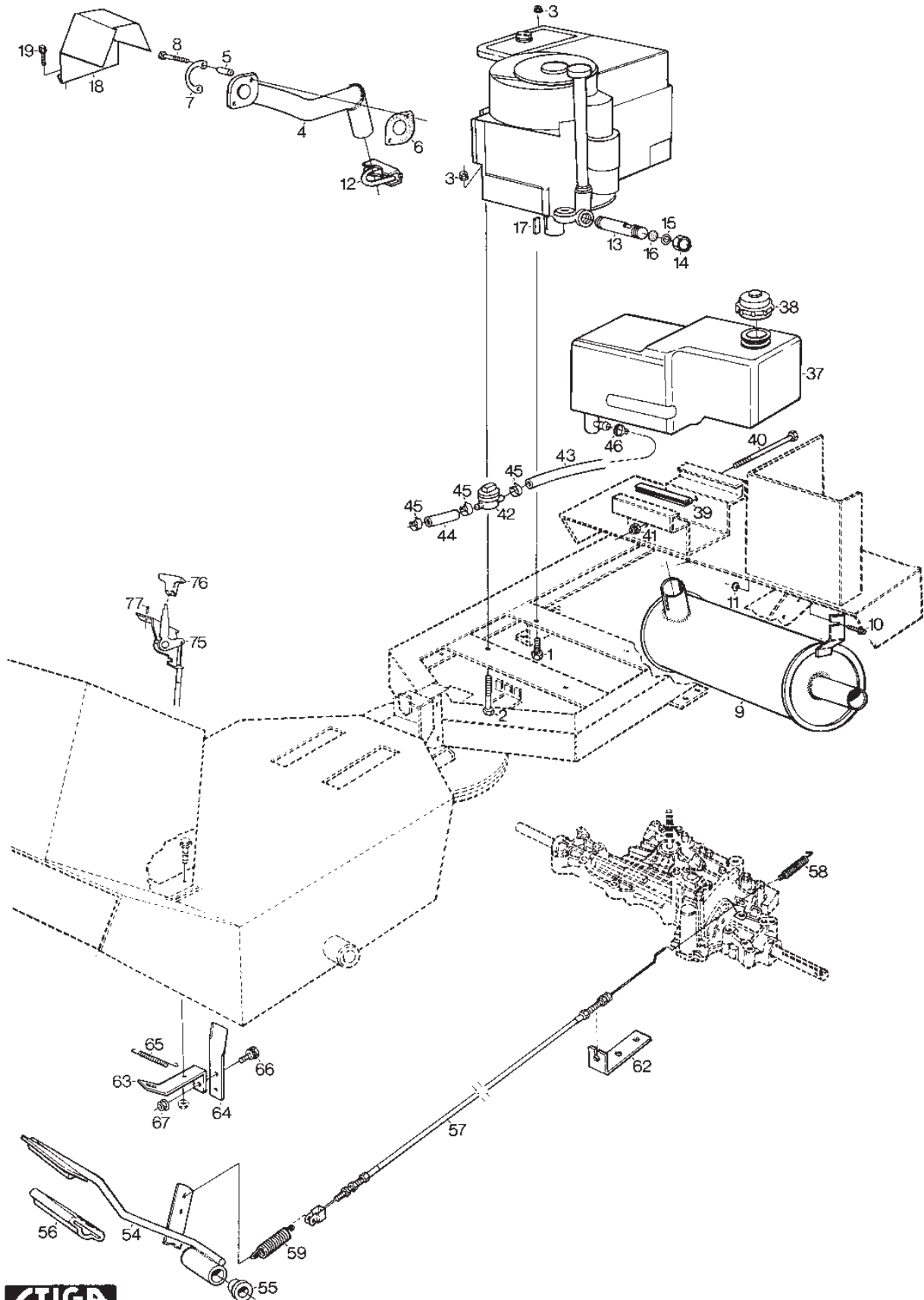
PARK 12



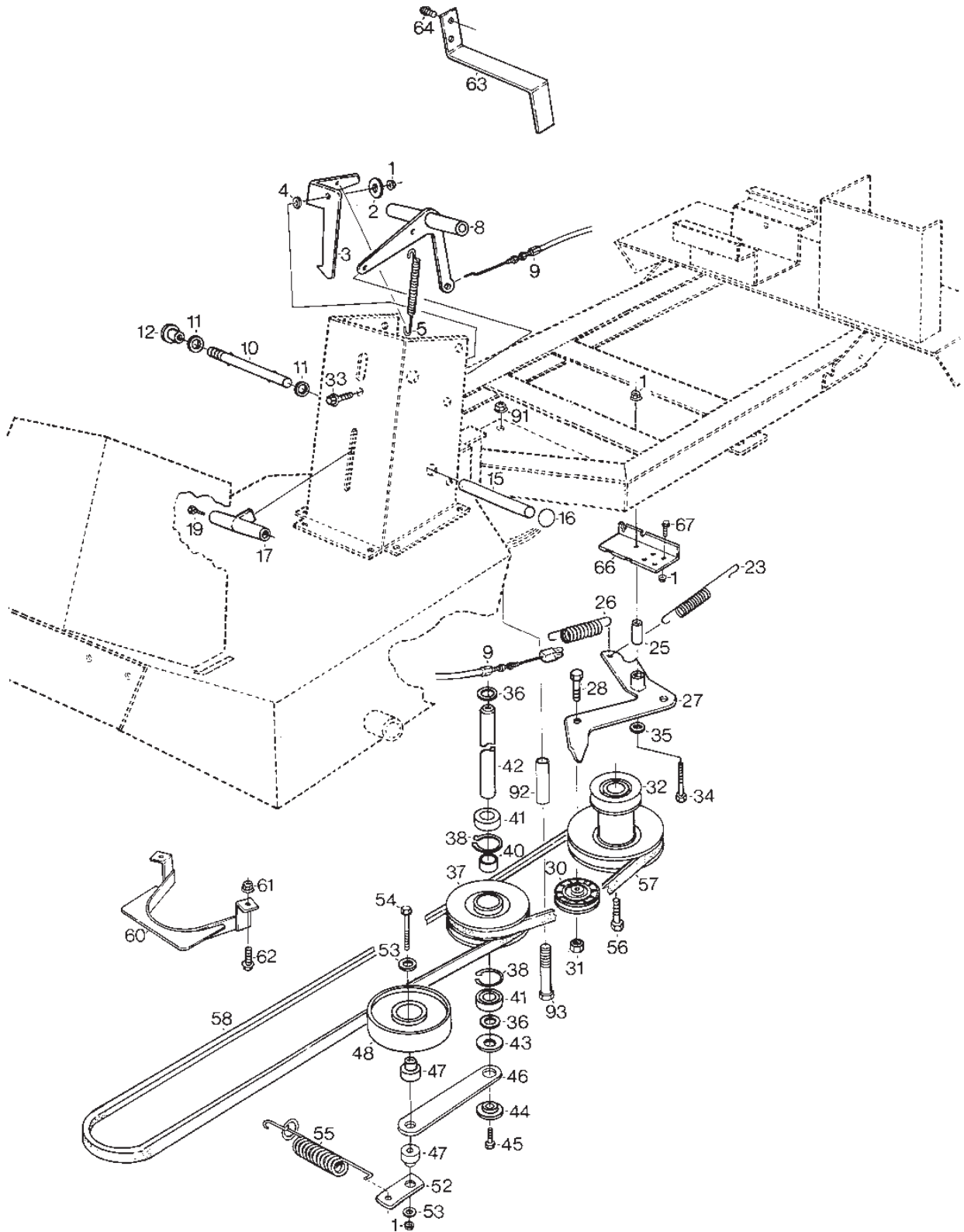
PARK 13HST, PARK 16HST



Utgåva Issue 44 - 2014		Ram Frame			
Pos. Fig.	Antal Quantity	Art nr Part No	Benämning	Description	Anmärkning Notes
68	1	1134-2864-01	Täckbricka Kpl.5-01	Instrument panel	
69	2	9699-0060-02	Bricka	Washer	
70	2	9739-0631-22	Mutter	Nut	
74	1	1134-3330-01	Blindlock	Cover	
75	3	1134-3540-01	Ändavslutning lr 2030	Plastic Plug	Art.nos. 1441,42,43
99	1	1134-3558-01	Dekalsats	Label Kit	

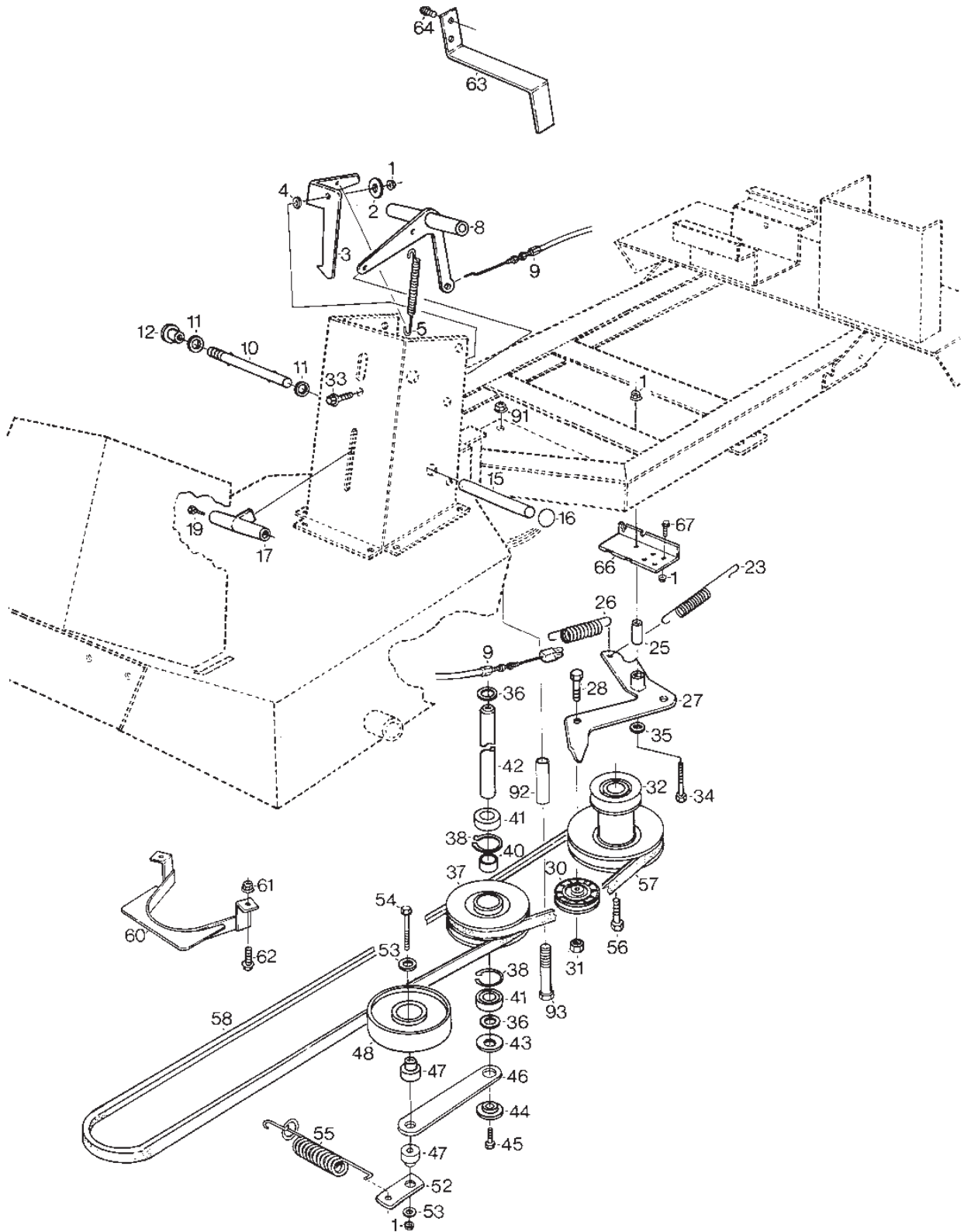


Utgåva Issue 44 - 2014		Motor Bromssystem	Engine Brake System		
Pos. Fig.	Antal Quantity	Art nr Part No	Benämning	Description	Anmärkning Notes
1	3	9997-0840-16	Skruv	Screw	40 mm
2	1	9997-0870-16	Skruv	Screw	70 mm
3	4	9739-0831-22	Mutter	Nut	
4	1	1134-2718-01	Avgasrör	Exhaust pipe	
5	2	1134-1565-01	Distans	Spacer	
6	1	1134-0433-00	Packning	Gasket	
7	1	1134-2462-01	Låsbleck	Lock	
8	2	9988-3651-12	Skruv	Screw	
9	1	1134-3244-01	Ljuddämpare	Silencer	
10	1	9959-0816-16	Skruv	Screw	
11	1	9739-0831-22	Mutter	Nut	
12	1	9578-0011-00	Klämma F Ljuddämp D35 Rid	Clamp	
13	1	1134-2212-01	Oljeavtappningsrör Kpl.	Oil Drain Pipe	
14	1	1134-0995-01	Plugg	Plug	
15	1	9404-0020-00	O-Ring 11,3 X 2,4	O-ring	
16	1	1134-0997-01	Packning	Gasket	
17	1	9600-0250-00	Kil	Key	
18	1	1134-2733-01	Värmskydd	Heat Protection	
19	2	9942-0612-16	Skruv	Screw	
37	1	1134-2886-01	Bränsletank	Fuel tank	
38	1	1134-2877-02	Tanklock	Fuel Tank Cap	
39	2	1134-2941-01	Kantskyddslist S	Protection Strip	
40	1	9997-0812-02	Skruv	Screw	
41	1	9747-0831-02	Mutter I Låsmutter	Nut	
42	1	1134-3223-01	Bränslekran	Fuel Shut-Off	
43	1	1134-2975-02	Bensinslang	Fuel Tube	L = 145 mm
44	1	1134-2975-03	Bensinslang	Fuel Tube	L = 40 mm
45	3	1134-3499-01	Slangklämma	Hose Clamp	
46	1	1134-2998-01	Hose clamp	Hose clamp	
54	1	1134-3450-01	Bromspedal (vä sida)	Brake pedal (L. H.)	
55	1	1134-9024-01	Lager (4 St)	Bearing	
56	1	1134-0269-00	Pedalgummi	Pedal Rubber	
57	1	1134-3573-02	Motorbromswire	Cable, Thread Engine Brake	
58	1	1131-1506-00	Fjäder	Spring	
59	1	1134-1242-02	Fjäder	Spring	
62	1	1134-3402-01	Kabelhållare	Wire Holder	
63	1	1134-1184-02	Stag F Parkeringsbroms	Stay	
64	1	1134-2151-02	Spärr	Stop	
65	1	1131-1497-01	Fjäder	Brake Spring	
66	1	1134-0245-00	Skruv	Screw	
67	1	9739-0831-22	Mutter	Nut	
75	1	1134-1975-11	Gasreglage	Throttle Cable	
76	1	9403-0035-10	Knopp	Knob	
77	2	9849-8013-16	Skruv	Screw	

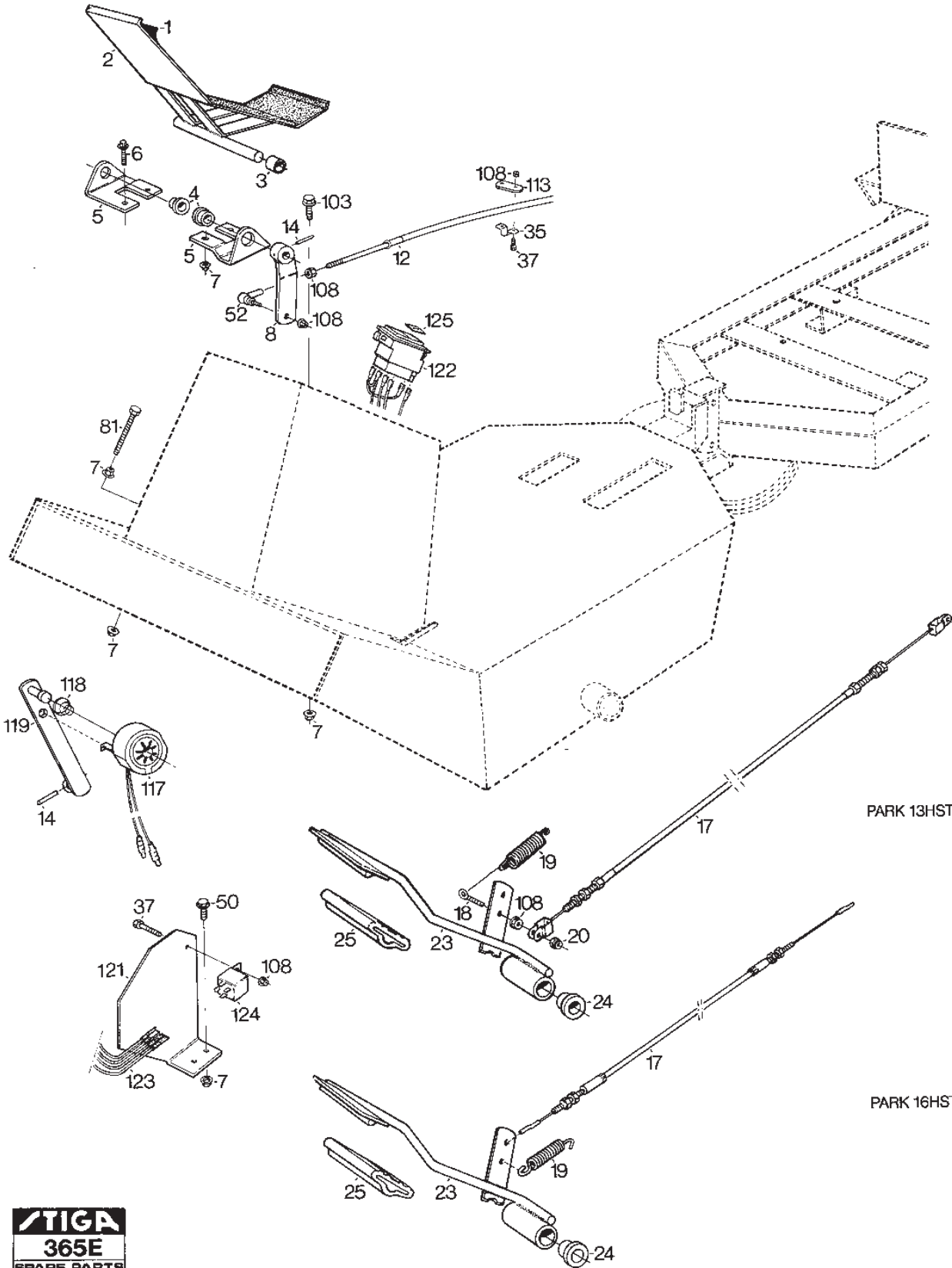




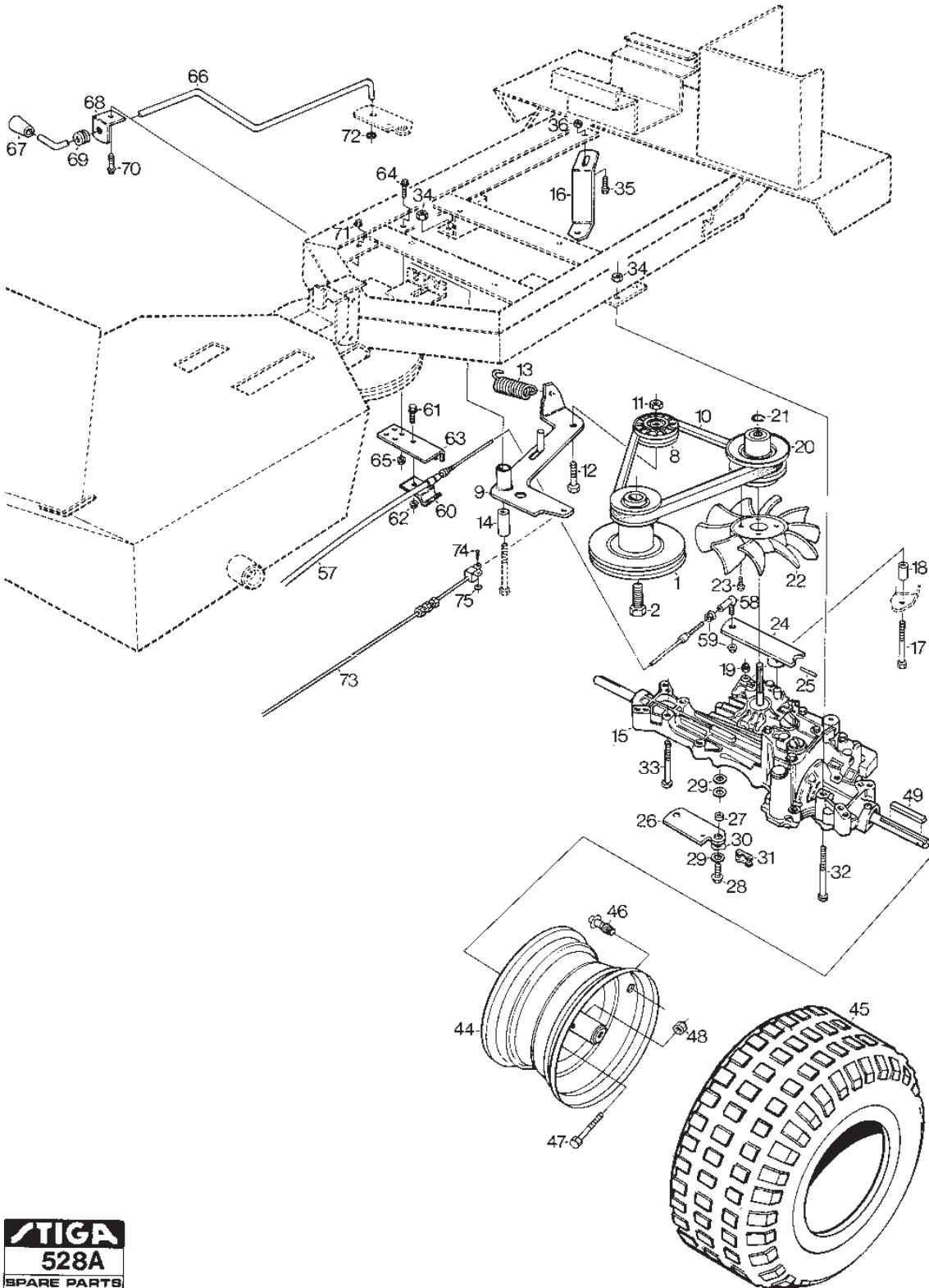
Utgåva Issue 44 - 2014		Power Take-Off			
Pos. Fig.	Antal Quantity	Art nr Part No	Benämning	Description	Anmärkning Notes
1	5	9739-0831-22	Mutter	Nut	
2	1	1134-0143-00	Bricka	Washer	
3	1	1134-2453-01	Låshake	Locking Pawl	
4	1	9695-0002-00	Bricka	Washer	
5	1	1131-1497-01	Fjäder	Brake Spring	
8	1	1134-1396-02	Spak	Lever	1441,1442,1443
8	1	1134-0027-01	Reglagespak	Control Lever	1168,1358,1458
9	1	1134-3573-01	Wire (Kraft)	Cable	
10	1	1134-1972-01	Urkopplingsspak	Disengaging Lever	
11	2	9699-0025-02	Bricka	Washer	
12	1	1134-0583-00	Knopp	Knob	
15	1	1134-0022-00	Reglagestång	Control Rod	
16	2	9672-0004-02	Starlock	Starlock	
17	1	1134-0153-00	T-Handtag	Handle Gear Shifter	
19	1	9847-8016-16	Skruv	Screw	
23	1	1131-1506-00	Fjäder	Spring	
25	1	1134-1565-01	Distans	Spacer	
26	1	1134-1242-02	Fjäder	Spring	
27	1	1134-2018-01	Spännarm Kpl	Tensioning Arm	
28	1	9997-1030-16	Skruv	Screw	
30	1	1134-9027-01	Spännrulle (Svart)	Tension Roller (Black)	
31	1	9799-1031-02	Mutter	Nut	
32	1	9997-1450-16	Skruv	Screw	Tillbehör/Accessory
32	1	1134-2020-01	Motorremskiva	Engine Pulley	
33	1	9959-0820-16	Skruv	Screw	
34	1	9997-0850-16	Skruv	Screw	
35	1	9699-0056-02	Bricka	Washer	
36	2	1134-0052-00	Distans	Spacer	
37	1	1134-1769-02	Remskiva	Belt Pulley	
38	2	9651-0040-04	Spårring Sgh 40	Circlip	
40	1	1134-0051-09	Distans	Spacer	
41	2	9549-0019-00	Kullager	Ball Bearing	
42	1	1134-0057-00	Centrumaxel	Centre Shaft	
43	1	9699-0109-02	Bricka	Washer	
44	1	1134-0222-00	Bricka	Washer	
45	1	9959-1025-16	Skruv	Screw	
46	1	1134-1730-01	Spännhjulsarm	Tensioning Wheel Arm	
47	2	1134-1888-01	Distans	Spacer	
48	1	1134-1770-01	Spännhjul Kpl	Tension Roller	
52	1	1134-1893-01	Fjäder	Spring	
53	2	9699-0062-02	Bricka	Washer	
54	1	9997-0865-12	Skruv	Screw	
55	1	1134-1322-01	Fjäder	Tensioning Wheel Spring	
56	1	9987-5338-12	Skruv	Screw	
57	1	1134-9012-01	Kilrem	V-Belt	=9585-0056-00
60	1	1134-3654-01	Fingerskydd 5-01 24	Guard	
61	2	9739-0631-22	Mutter	Nut	
62	2	9959-0612-16	Skruv	Screw	
63	1	1134-2381-01	Remstyrning	Belt Guide	



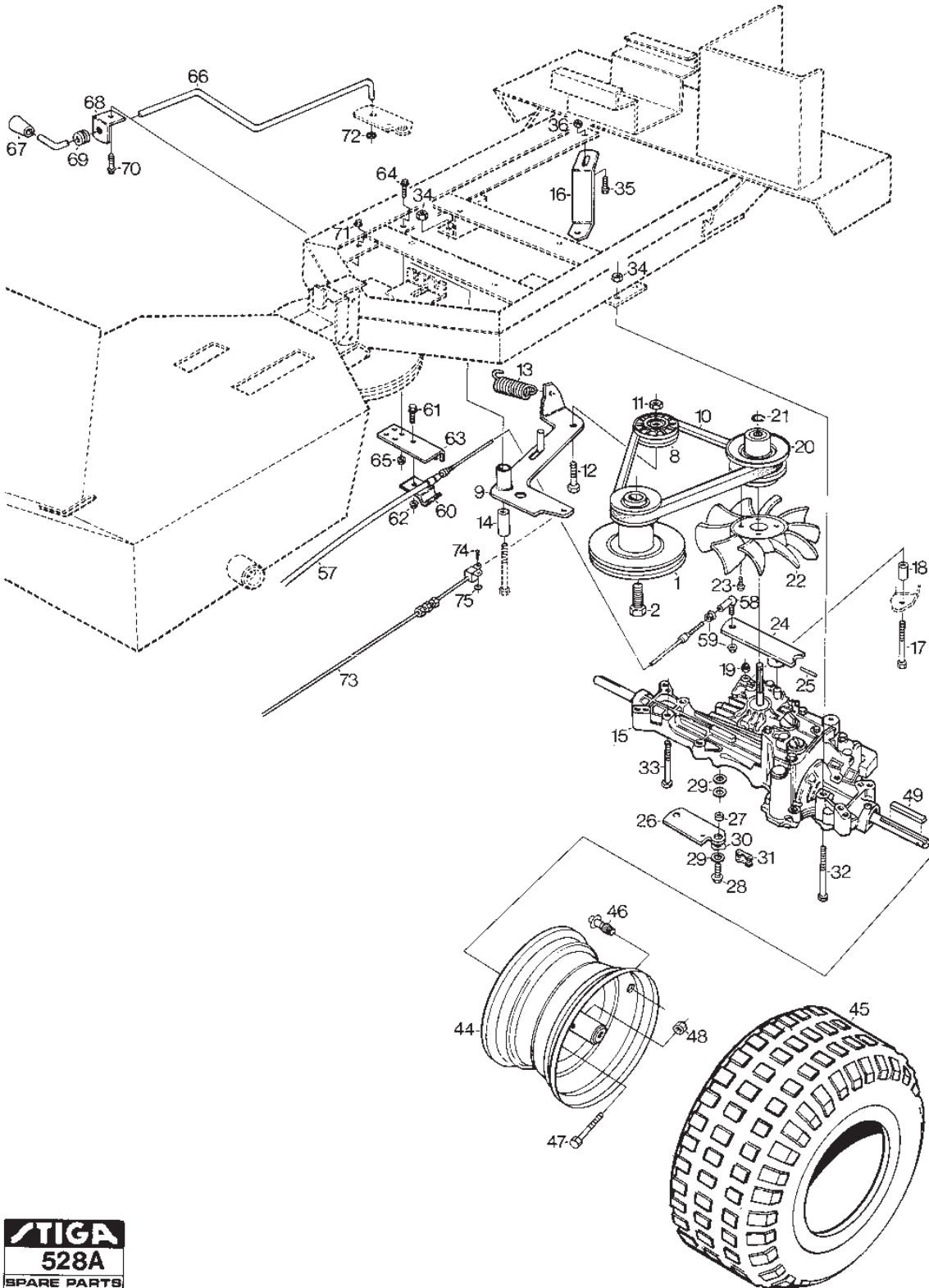
Utgåva Issue 44 - 2014		Power Take-Off			
Pos. Fig.	Antal Quantity	Art nr Part No	Benämning	Description	Anmärkning Notes
64	2	9942-0816-16	Skruv	Screw	
66	1	1134-3400-01	Vinkelarm 5-01 24	Angle Plate	
67	2	9959-0816-16	Skruv	Screw	
91	1	9739-1031-22	Mutter	Nut	
92	1	1134-0041-03	Bussning	Bushing	
93	1	9997-1070-12	Skruv	Screw	



Utgåva Issue 44 - 2014		Drivpedal Farthållare		Drive Pedal Cruise Control	
Pos. Fig.	Antal Quantity	Art nr Part No	Benämning	Description	Anmärkning Notes
1	1	1134-2754-01	Halkskydd	Slip Protection	
2	1	1134-2739-01	Pedal	Pedal	
3	1	1134-1643-01	Gummislang	Rubberhose	
4	2	1134-2780-01	Lager	Bearing	
5	2	1134-2700-01	Fäste	Bracket	
6	2	9959-0820-16	Skruv	Screw	
7	5	9739-0831-22	Mutter	Nut	
8	1	1134-2703-01	Arm Kpl.	Arm	
12	1	1134-2766-03	Reglagevajer	Speed Control Wire	
14	1	9595-0235-00	Spännstift	Pin	
17	1	1134-2030-11	Kopplingswire	Clutch Cable	
18	1	1134-2991-01	Skruvögla	Eye Bolt	
19	1	1131-1506-00	Fjäder	Spring	
20	1	9747-0531-02	Mutter	Nut	
23	1	1134-3450-01	Bromspedal (vä sida)	Brake pedal (L. H.)	
24	1	1134-9024-01	Lager (4 St)	Bearing	
25	1	1134-0269-00	Pedalgummi	Pedal Rubber	
35	1	1134-0266-00	Fästbygel	Attaching Clamp	
37	2	9997-0520-16	Skruv	Screw	
52	1	9570-0001-00	Vinkellänk As8 Din 71802M5	Elbow Link	
81	1	9997-0870-16	Skruv	Screw	
103	1	9959-0816-16	Skruv	Screw	
108	5	9739-0531-22	Mutter	Nut	
113	1	1134-0267-00	Underläggsbleck	Clamp Plate	

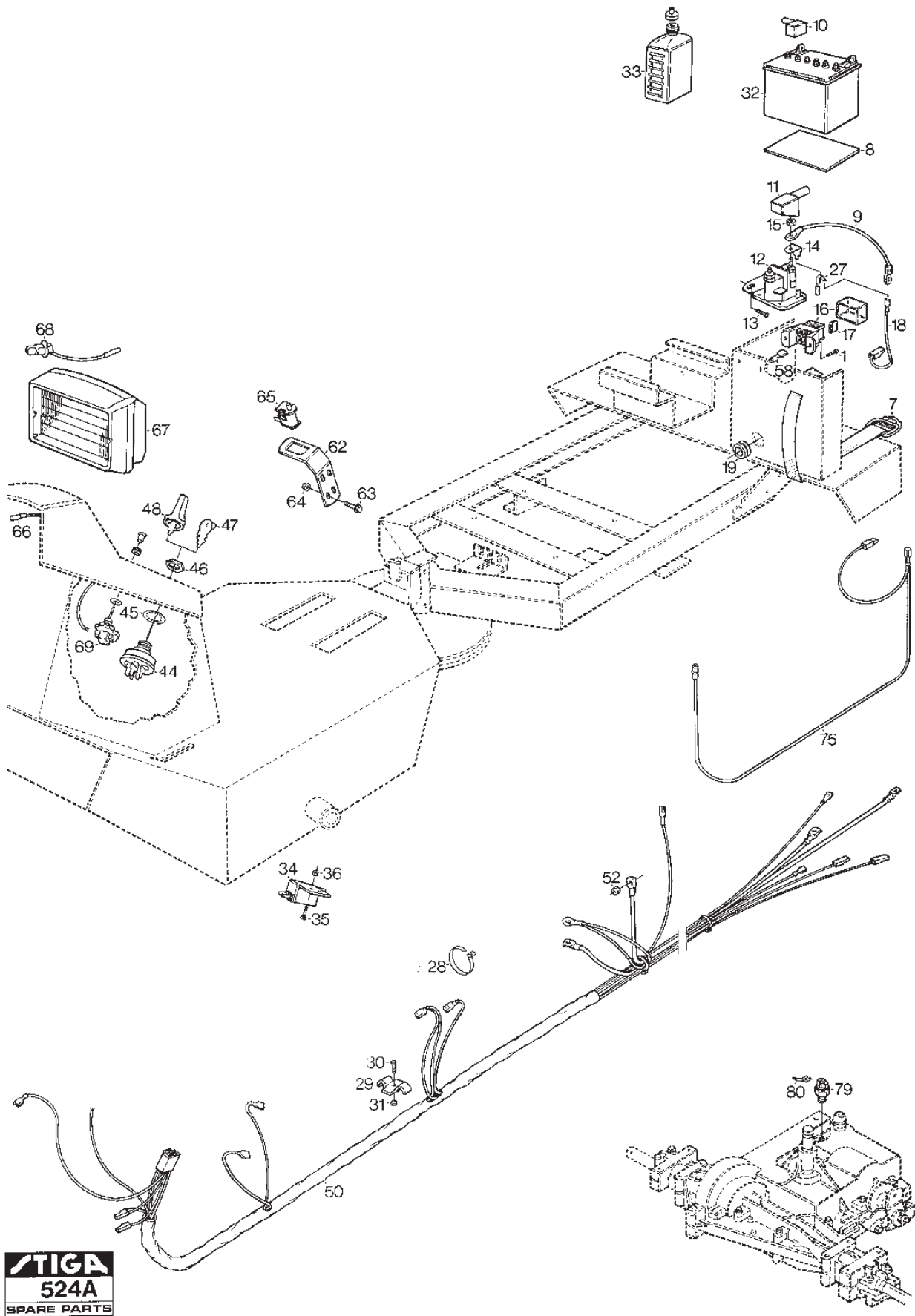


Utgåva Issue 44 - 2014		Transmission		Transmission	
Pos. Fig.	Antal Quantity	Art nr Part No	Benämning	Description	Anmärkning Notes
1	1	1134-2020-01	Motorremskiva	Engine Pulley	
2	1	9987-5338-12	Skruv	Screw	
8	1	1134-9027-01	Spännrulle (Svart)	Tension Roller (Black)	
9	1	1134-2015-03	Spännarm	Tension Arm	
10	1	1134-9036-01	Kilrem	V-Belt	=9585-0083-00
11	1	9799-1031-02	Mutter	Nut	
12	1	9997-1030-16	Skruv	Screw	
13	1	1134-0645-00	Fjäder	Spring	
14	1	1134-1565-01	Distans	Spacer	
15	1	1134-3364-01	Hydrostat Trans (K55)	Transaxle	Kanzaki K55B
16	1	1134-3401-01	Svärd	Bar	
17	1	9997-0860-16	Skruv	Screw	
18	1	1134-0041-02	Bussning	Bushing	
19	1	9747-0831-02	Mutter   Låsmutter	Nut	
20	1	1134-3407-01	Remskiva	Belt Pulley	
21	1	9650-0015-04	Låsring	CLock ring	
22	1	1134-3552-01	Fläkt	Fan	
23	4	9959-0612-16	Skruv	Screw	
24	1	1134-3409-01	ReglaVäxelm Kpl.	Control Lever	
25	1	9595-0258-00	Spännstift	Locating Pin	
26	1	1134-3414-01	Arm	Lever	
27	1	1134-2427-02	Distans	Spacer	
28	1	9942-0830-16	Skruv	Screw	
29	3	9699-0056-02	Bricka	Washer	
30	1	9696-0013-01	Bricka	Washer	
31	1	1134-3413-01	Kedjelås	Chain Lock	
32	2	9997-0875-12	Skruv	Screw	75 mm
33	2	9997-0870-16	Skruv	Screw	70 mm
34	4	9747-0831-02	Mutter   Låsmutter	Nut	
35	1	9959-0820-16	Skruv	Screw	
36	1	9747-0831-02	Mutter   Låsmutter	Nut	
44	2	1134-3175-01	Fälg-bak	Rim-rear	
45	2	9545-0116-00	Däck	Tyre	16 x 7.50-8
45	2	9545-0120-00	Däck	Tyre	16 x 7.50-8
46	2	9545-0500-00	Ventil	Valve Assy.	
47	2	9997-0840-16	Skruv	Screw	
48	2	9747-0831-02	Mutter   Låsmutter	Nut	
49	2	1134-2471-01	Kil	Key	
57	1	1134-2766-03	Reglagevajer	Speed Control Wire	
58	1	9570-0001-00	Vinkellänk As8 Din 71802M5	Elbow Link	
59	2	9739-0531-22	Mutter	Nut	
60	1	1134-2021-01	Växelwirefäste	Clamp	
61	1	9959-0816-16	Skruv	Screw	
62	1	9739-0831-22	Mutter	Nut	
63	1	1134-3400-01	Vinkelarm 5-01 24	Angle Plate	
64	2	9959-0820-16	Skruv	Screw	
65	2	9739-0831-22	Mutter	Nut	
66	1	1134-3415-01	Reglagestång	Control Rod	
67	1	1134-2786-01	Knopp	Knob	

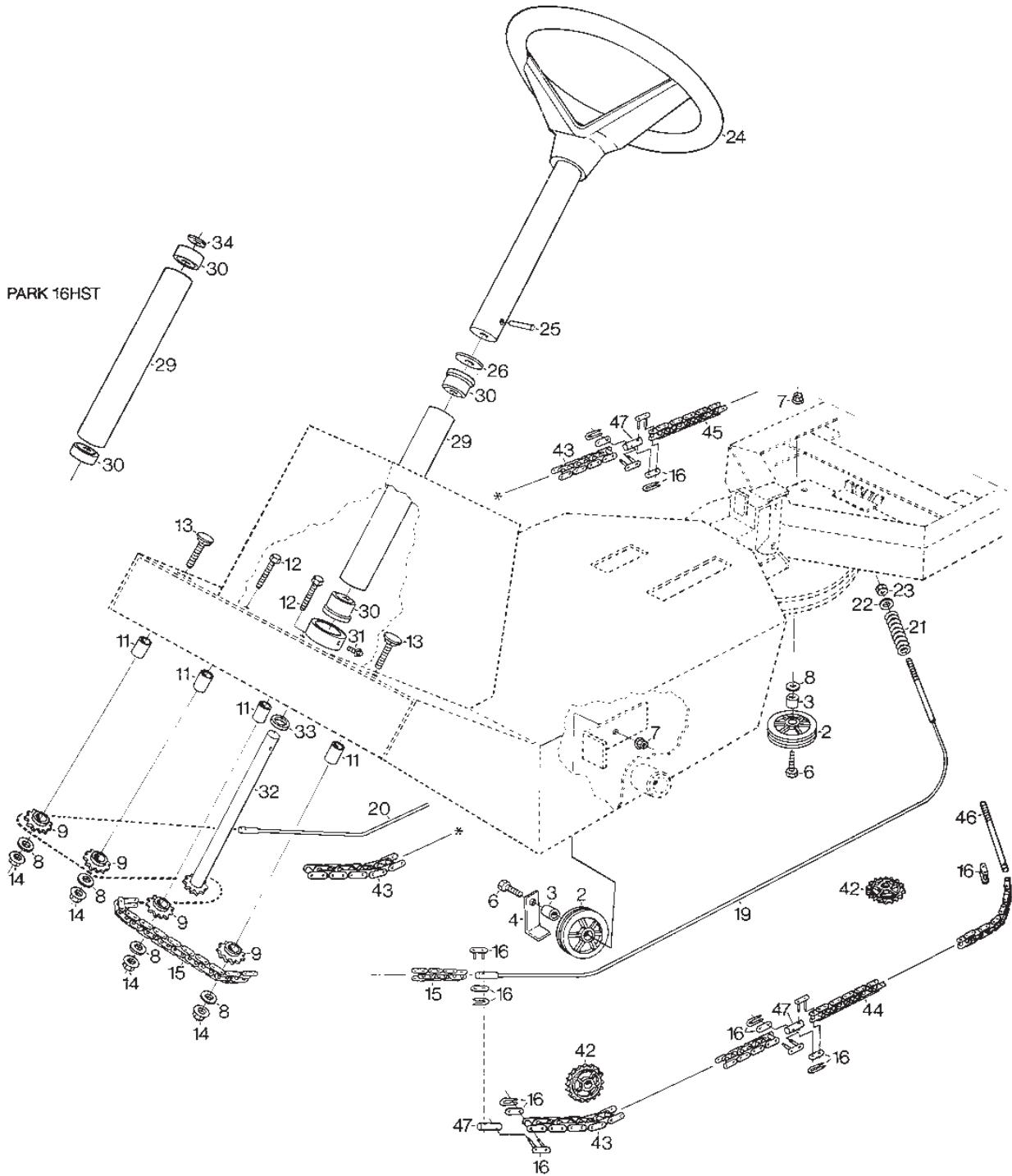




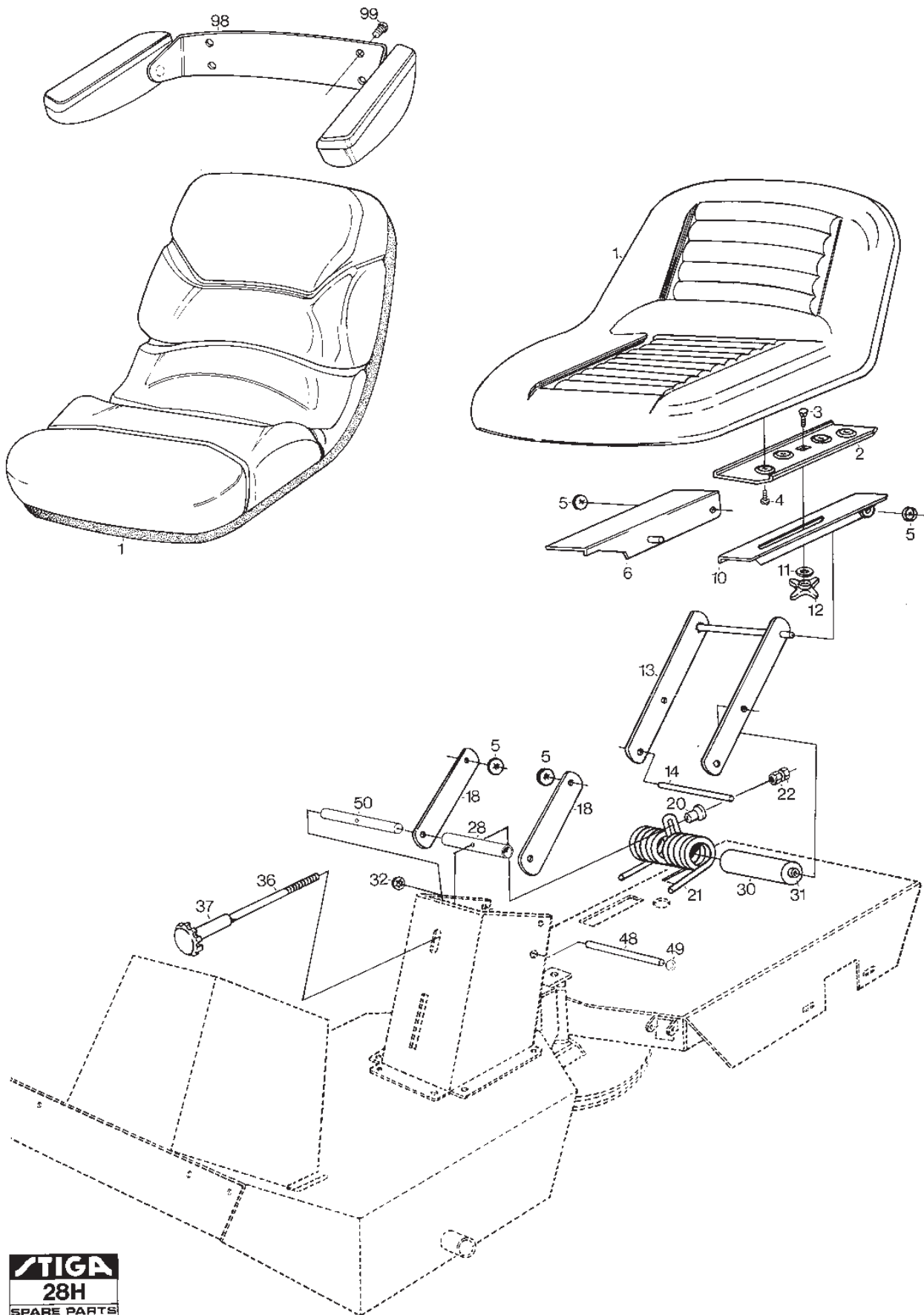
Utgåva Issue 44 - 2014		Transmission			
Pos. Fig.	Antal Quantity	Art nr Part No	Benämning	Description	Anmärkning Notes
68	1	1134-2789-01	Fäste	Bracket	
69	1	1134-2790-01	Kabelgenomföring	Cable Protection	
70	1	9959-0816-16	Skruv	Screw	
71	1	9739-0831-22	Mutter	Nut	
72	1	9675-0012-02	Starlock	Locking washer	
73	1	1134-2030-11	Kopplingswire	Clutch Cable	
74	1	9646-0036-22	Nit Kn 5X12	Rivet	
75	1	9675-0008-02	Starlockbricka	Starlock	



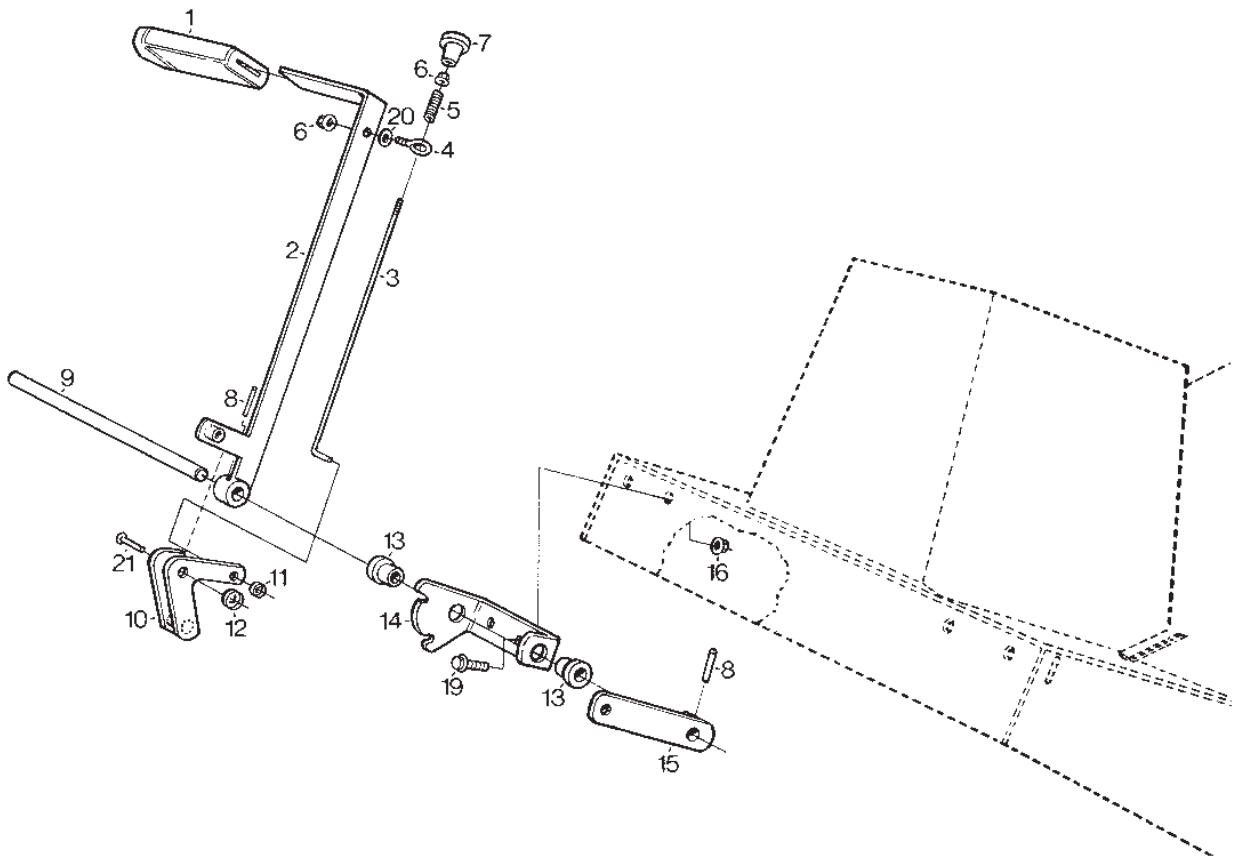
Utgåva Issue 44 - 2014		Esystem	Electrical System		
Pos. Fig.	Antal Quantity	Art nr Part No	Benämning	Description	Anmärkning Notes
1	2	9849-8009-16	Skruv	Screw	
7	1	9400-0064-02	Batterihållare	Battery Holder	
8	1	1134-2333-02	Batteriunderlägg	Battery Pad	
9	1	1134-0234-01	Batterikabel (+)	Battery Cable (+)	
10	1	1134-2310-01	Batteriskydd	Guard Cap (+)	
11	1	1134-2948-01	Skyddshätta	Guard Cap	
12	1	1134-2962-01	Solenoid Kpl Service	Solenoid	Inkl.pos. 14-15
13	2	9849-8009-16	Skruv	Screw	
14	1	1134-2947-01	Stift	Cable Connection	
15	2	9794-5131-02	Mutter	Nut	
16	1	1134-3491-01	Säkringshållare	Fuse Holder	
17	2	1134-3496-01	Säkring (10A)	Fuse (10A)	10A
18	1	1134-3497-01	Kabel	Cable	
19	1	1134-3203-05	Kabelgenomföring	Grommet	
27	1	9400-0170-00	Flatst.Hylsa A2507 Flh-1	Cable Connection	
28	5	9579-0003-00	Buntband	Cable Holder	
29	1	1134-2782-01	Låsbleck	Clamp	
30	1	9997-0520-16	Skruv	Screw	
31	1	9739-0531-22	Mutter	Nut	
32	1	1134-2892-01	Batteri	Battery	
33	1	1134-3300-01	Batterisyra	Battery Acid	
34	1	1134-3399-02	Brytare	Switch	
35	2	9997-0520-16	Skruv	Screw	
36	2	9747-0531-02	Mutter	Nut	
44	1	1134-1814-01	Tändningslås Kpl Service	Starter Switch Assy.	
45	1	1134-2853-01	Bricka	Washer	
46	1	1134-2852-01	Mutter	Nut	
47	1	1134-2848-01	Tändningsnyckel	Ignition Key	
48	1	1134-3368-01	Tändningsnyckel	Ignition Key	
50	1	1134-3492-01	Kablage	Harness	Art.no.1443
50	1	1134-3489-01	Kabelhärva	Cable Harness	Art.no.1358
52	1	9795-3531-02	Mutter	Nut	
58	1	9400-0238-00	Flatstiftshylsa A1507Fls	Cable Connection	
66	1	1134-3082-01	Elkabel	Cable	
67	1	1134-1466-01	Strålkastare Kpl	Headlamp Assy.	
68	1	9400-0075-00	Glödlampa 12336H3 12	Glow Lamp	
69	1	9400-0063-00	Brytare	Switch	



Utgåva Issue 44 - 2014		Styrning Steering			
Pos. Fig.	Antal Quantity	Art nr Part No	Benämning	Description	Anmärkning Notes
2	2	1134-9025-01	Linhjul	Steering Pulley	
3	3	1134-0041-01	Bussning	Bushing	
4	2	1134-3022-01	Fäste	Bracket	
6	3	9997-1030-16	Skruv	Screw	
7	3	9739-1031-22	Mutter	Nut	
8	5	9699-0035-02	Bricka	Washer	
9	4	1134-2816-01	Kedjehjul	Sprocket	
11	4	1134-0041-02	Bussning	Bushing	
12	2	9997-1040-12	Skruv	Screw	
13	2	9897-1040-12	Skruv	Screw	
14	4	9739-1031-22	Mutter	Nut	
15	1	1134-2820-01	Kedja79 Länkar	Chain W/O Lock	79 länk/link
16	2	1134-2824-01	Kedjelås	Chain Lock	
19	1	1134-2817-01	Styrwire	Steering Cable Left	L = 939 mm
20	1	1134-2817-02	Styrwire	Steering Cable,Rh	L = 990 mm
21	2	1134-2818-01	Fjäder	Spring	
22	2	9699-0090-02	Bricka	Washer	
23	2	9747-0831-02	Mutter   Låsmutter	Nut	
24	1	1134-1966-03	Ratt	Steering Wheel	
25	1	9595-0262-00	Spännstift	Locating Pin	
26	1	9699-0114-02	Bricka	Washer	1.0 mm
26	1	9699-0103-02	Bricka	Washer	0.5 mm
29	1	1134-1305-03	Rattrör Nedre	Steering Column,Lower	
30	2	1134-1901-01	Lager	Bearing	
31	2	9942-0612-16	Skruv	Screw	
32	1	1134-2821-01	Rattstång	Steering Rod	
33	1	1134-2837-01	Distans	Spacer	

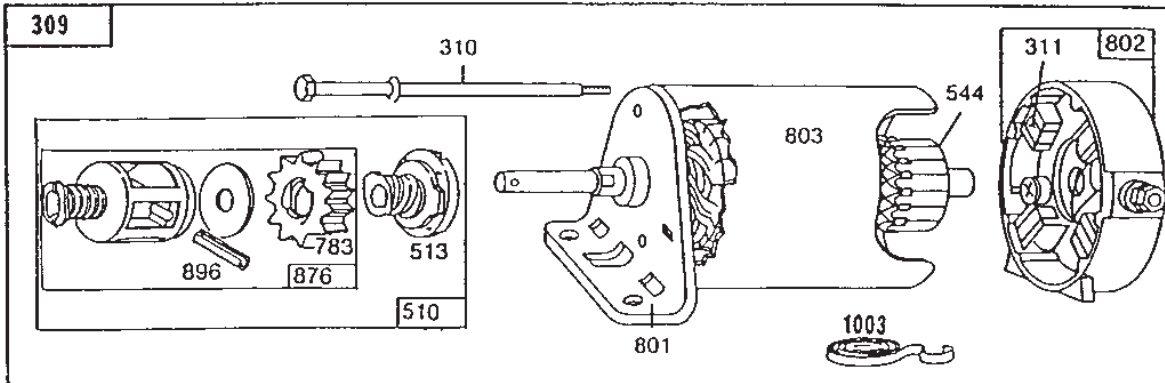


Utgåva Issue 44 - 2014		Sits Seat			
Pos. Fig.	Antal Quantity	Art nr Part No	Benämning	Description	Anmärkning Notes
1	1	1134-2541-01	Sits Suburban	Seat	
2	2	1134-2961-01	Sitsadapter 5-01 24	Seat Adapter	
3	2	9898-0820-16	Skruv	Screw	
4	4	9988-3616-16	Skruv	Screw	
5	4	9675-0017-02	Låsbricka	Starlock	
6	1	1134-3618-01	Sitsfäste Kpl. 5-01 14	Seat Attachment-R.H.	
10	1	1134-3618-02	Sitsfäste Kpl. 5-01 14	Seat Attachment-L.H.	
11	2	9699-0062-02	Bricka	Washer	
12	2	1134-1711-01	Knopp	Knob	
13	1	1134-1652-01	Fjäder	Spring	
14	1	1134-0050-00	Sitsstång	Seat Rod	
18	2	1134-1650-01	Parallellstag	Tie Bar	
20	1	1134-0493-00	Mutter	Nut	
21	1	1134-0015-00	Sitsfjäder	Seat spring	
22	2	9799-0831-02	Mutter	Nut	
28	1	1134-2846-01	Rör	Tube	
30	1	1134-1883-01	Axel	Axle	
31	1	1134-0022-00	Reglagestång	Control Rod	
32	2	9672-0004-02	Starlock	Starlock	
36	1	1134-2163-01	Spännstång Kpl.	Rod	
37	1	1134-2166-01	Distans	Spacer	
48	1	1134-2454-01	Axel	Shaft	
49	2	9672-0006-02	Starlock	Lock washer	
50	1	1134-2847-01	Mellanstag	Shaft	

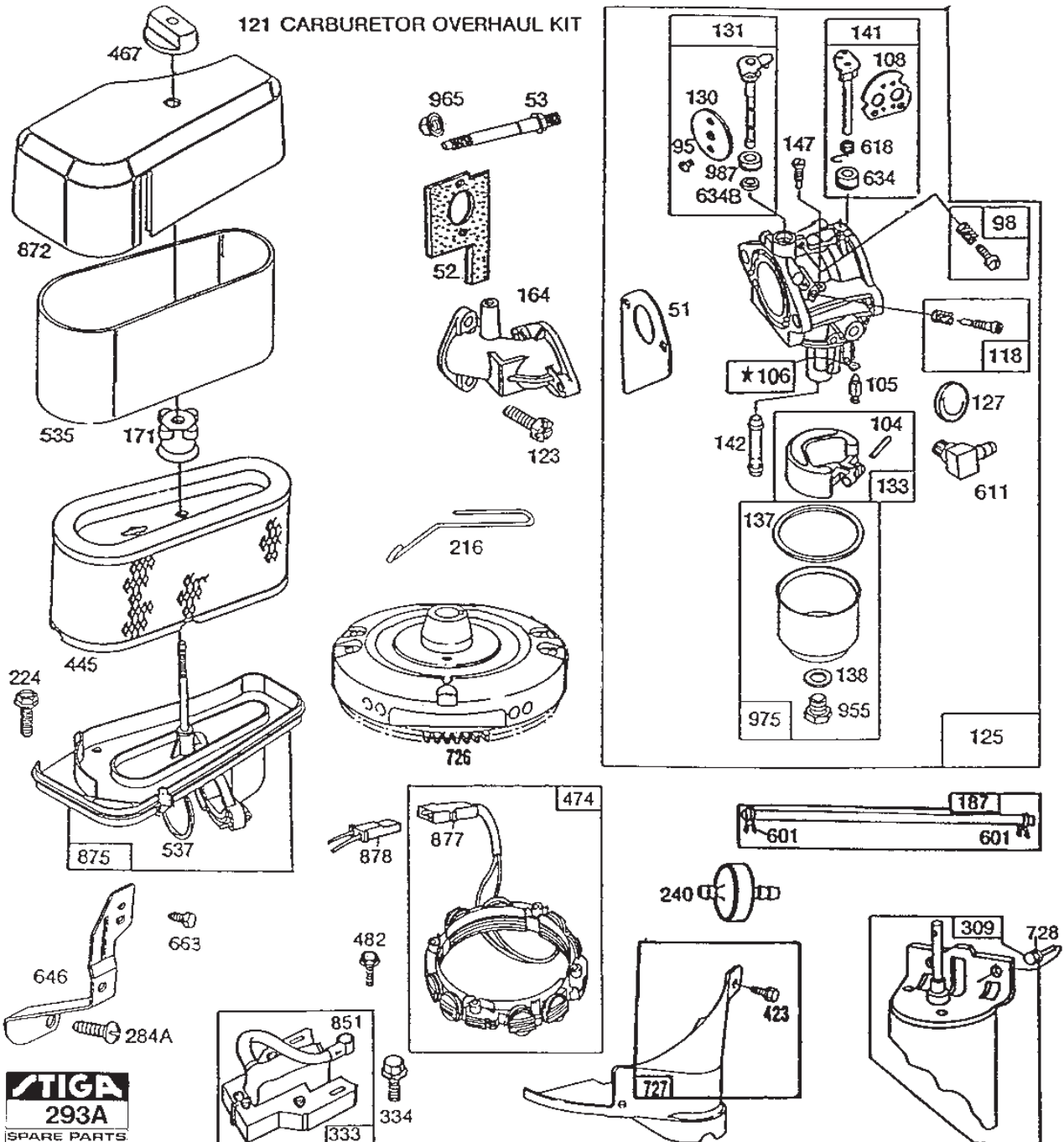




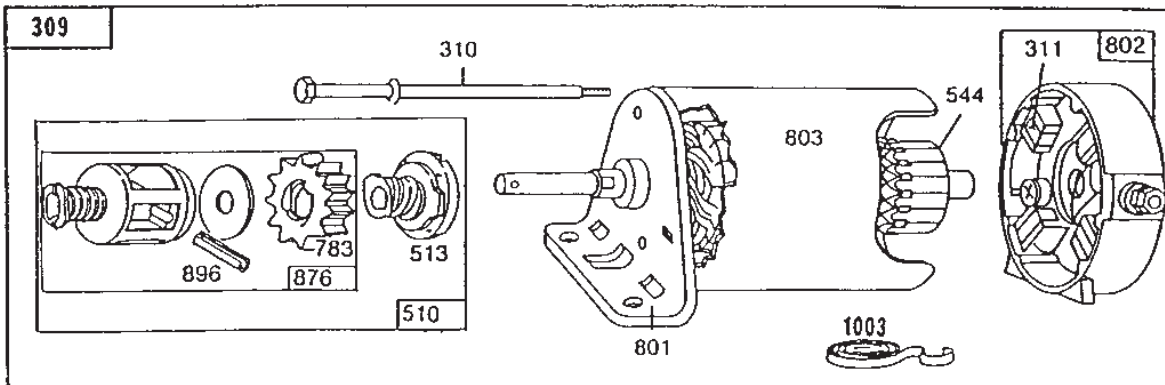
Utgåva Issue 44 - 2014		Redskapslyft Lifting Device			
Pos. Fig.	Antal Quantity	Art nr Part No	Benämning	Description	Anmärkning Notes
0	1	1134-0410-08	röds kapslyft Smstpark	Lifting Device Assy	
1	1	9403-0110-01	Höjdinst.Handtag Ej Kapad	Handle	
2	1	1134-0859-03	Svärd	Bar	
3	1	1134-0858-00	Tryckstång	Push Rod	
4	1	1134-1889-01	Skruvögla	Eye Bolt	
5	1	1111-0053-00	Fjäder	Spring	
6	2	9739-0631-22	Mutter	Nut	
7	1	1134-0583-00	Knopp	Knob	
8	2	9595-0258-00	Spännstift	Locating Pin	
9	1	1134-1884-01	Lyftaxel	Lifting Shaft	
10	1	1134-2911-01	Låshake	Locking Pawl	
11	1	9675-0008-02	Starlockbricka	Starlock	
12	1	9675-0012-02	Starlock	Locking washer	
13	2	1134-2684-01	Lager	Bearing	
14	1	1134-0536-00	Lyftsegment	Locking Plate	
15	1	1134-0857-00	Arm Kpl.	Arm	
16	2	9739-1031-22	Mutter	Nut	
19	2	9959-1020-16	Skruv	Screw	
20	1	9699-0025-02	Bricka	Washer	
21	1	9646-0099-22	Nit Kn 8X30	Rivet	
999	1	1134-0410-08	röds kapslyft Smstpark	Lifting Device Assy	



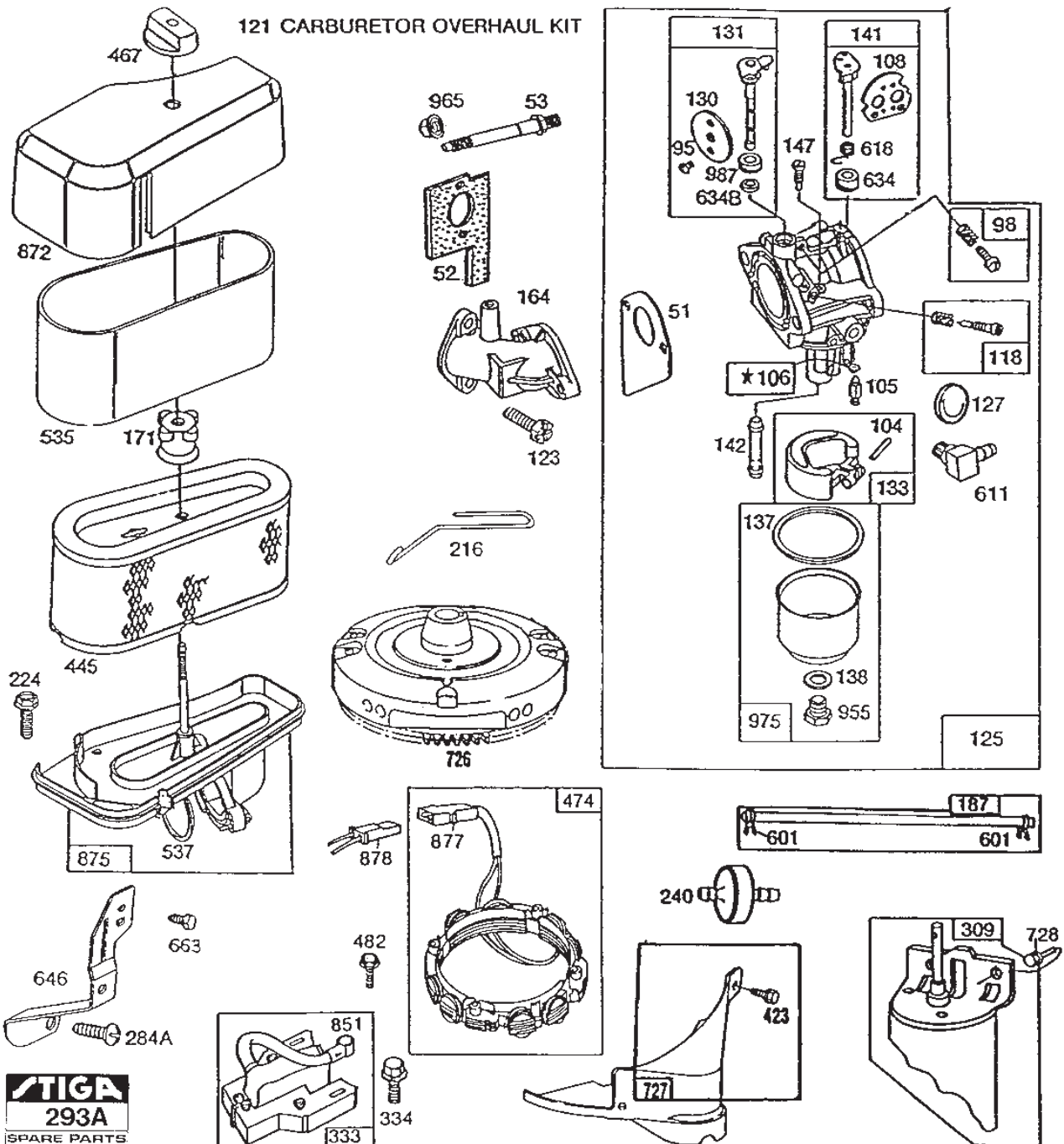
121 CARBURETOR OVERHAUL KIT



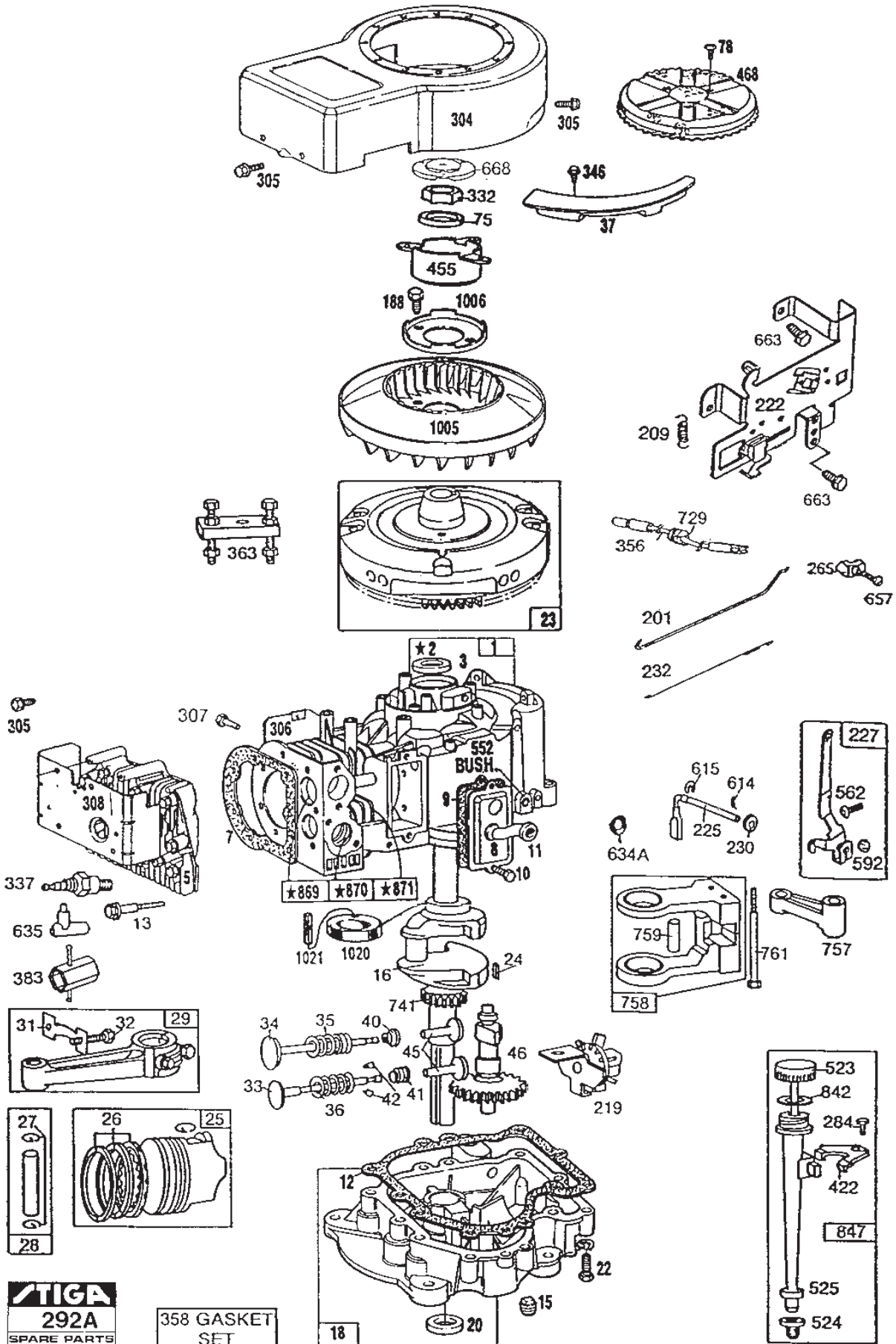
Utgåva Issue 44 - 2014		Förgasare Luftfilter	Carburettor Air Cleaner		
Pos. Fig.	Antal Quantity	Art nr Part No	Benämning	Description	Anmärkning Notes
51	1	272465	Packning	Gasket	
52	1	272554	Packning	Gasket	
53	2	94637	Skruv	Screw	
95	2	94098	Skruv	Screw	
98	1	494382	Skruv	Screw	
104	1	231789	Axel	Shaft	
105	1	231790	Nålventil	Inlet needle valve	
106	1	281169	Valve seat	Valve seat	
108	1	224540	Choke valve	Choke valve	
118	1	494383	Nålventil	Needle valve	
121	1	494384	Carb.overhaul kit	Carb.overhaul kit	Märkta/marked F
123	2	94616	Skruv	Screw	
125	1	494502	Förgasare kpl	Carburettor Assy	
130	1	224539	Gasspjäll	Throttle Valve	
131	1	494379	Axel	Shaft	
133	1	494381	Flottör	Float	
137	1	281165	Packning	Gasket	
138	1	281164	Bricka	Washer	
141	1	494380	Choke shaft	Choke shaft	
142	1	494537	Nozzle	Nozzle	
147	1	231794	Nozzle	Nozzle	
164	1	213819	Carburettor elbow	Carburettor elbow	
171	1	281051	Mutter	Nut	
187	1	393815	Bränsleledning	Fuel line	
216	1	262766	Choke link	Choke link	
224	1	94513	Skruv	Screw	
240	1	298090	Bränslefilter	Fuel Filter	
240	1	394358	Bränslefilter	Fuelfilter	
284	1	94326	Skruv	Screw	
309	1	394805	Starter motor	Starter motor	
309	1	399169	Starting motor	Starting motor	
310	2	94003	Skruv	Screw	
310	2	94169	Bult	Bolt	
311	1	395538	Släpkol	Brush	
311	4	490311	Brush	Brush	
333	1	492341	Armature magneto	Armature magneto	
334	2	93381	Skruv	Screw	
423	2	94625	Skruv	Screw	
445	1	493909	Cartridge	Cartridge	
467	1	493903	Låsratt	Knob	
474	1	393474	Generator	Alternator	
482	4	93621	Skruv	Screw	
510	1	490421	Drev kpl	Drive assy	
513	1	398003	Koppling kpl	Clutch Ass.Y	
535	1	272403	Filterelement	Air Cleaner Element	
537	1	281106	O-ring	O-ring	
544	1	390837	Armature	Armature	
544	1	490309	Armature	Armature	
601	2	93053	Slangklämma	Hose clamp	



121 CARBURETOR OVERHAUL KIT



Utgåva Issue 44 - 2014		Förgasare Luftfilter	Carburettor Air Cleaner		
Pos. Fig.	Antal Quantity	Art nr Part No	Benämning	Description	Anmärkning Notes
611	1	494451	Nippel	Inlet tube	
618	1	262803	Fjäder	Spring	
634	1	281167	Bricka	Washer	
634	1	281168	Bricka	Washer	
646	1	224546	Brace	Brace	
663	2	94620	Skruv	Screw	
726	1	392134	Kuggkrans	Gear ring	
727	1	490324	Skyddskåpa	Cover	
728	2	94627	Skruv	Screw	
783	1	280104	Drev	Gear	
801	1	394856	Lock	Drive end cap	
802	1	395537	Botten	End cap	
802	1	490310	Bottenkåpa	Commutator end cap	
803	1	398159	Hus	Housing	
803	1	399172	Hus	Housing	
851	1	221798	Anslutning	Terminal	
872	1	281104	Cover	Cover	
875	1	494237	Air cleaner body	Air cleaner body	
876	1	490467	Startdrev	Retainer kit	
877	1	393456	Connector	Connector	
878	1	393362	Kabelhärva	Harness	
896	1	94288	Stift	Roll pin	
955	1	94642	Skruv	Screw	
965	2	94108	Låsmutter	Nut	
975	1	494378	Bowl	Bowl	
987	1	281166	Seal	Seal	
1003	4	490316	Fjäder	Spring	

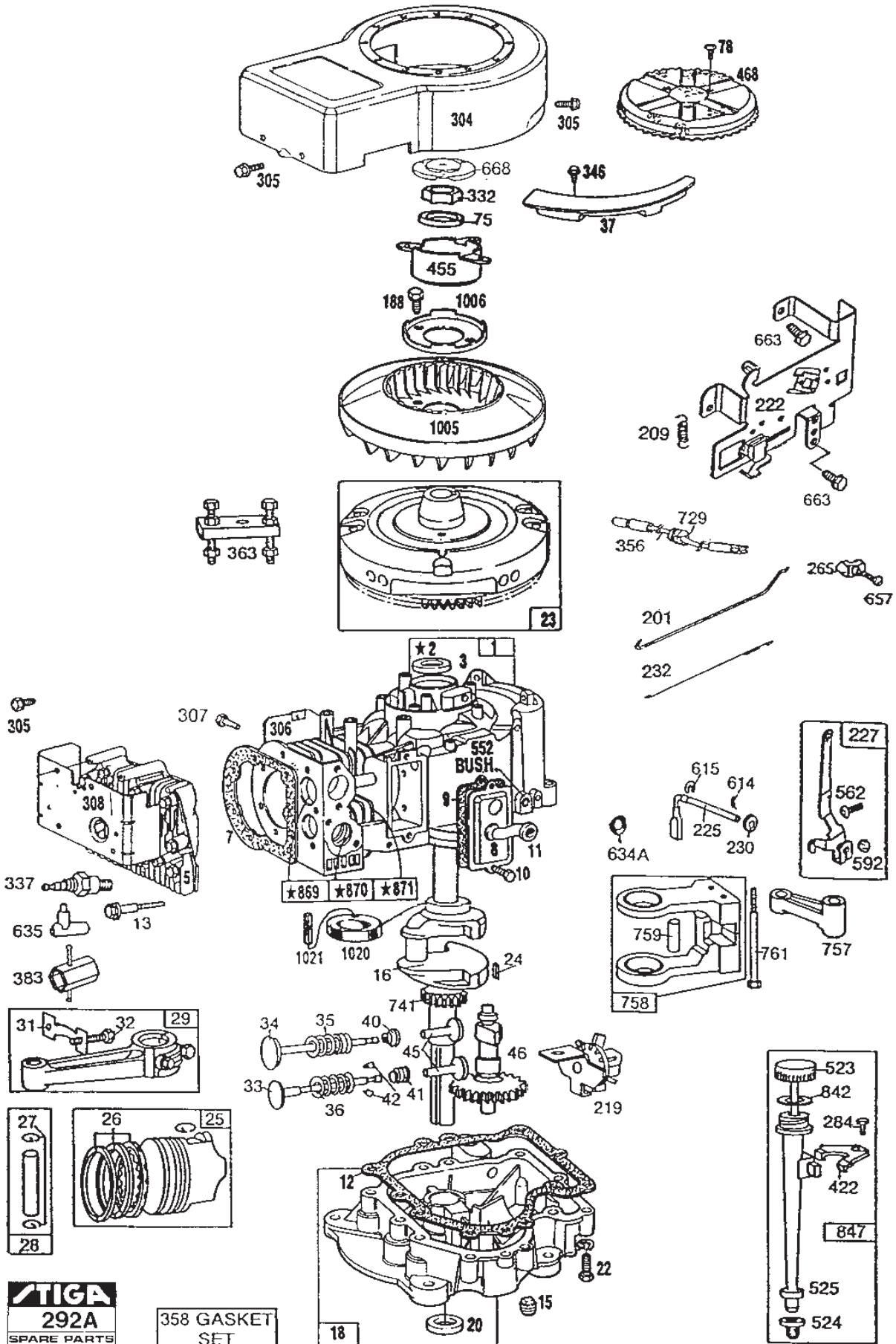


**STIGA**  
**292A**  
SPARE PARTS

358 GASKET SET

Utgåva Issue 44 - 2014		Cylinder Vevhus	Cylinder Crankcase		
Pos. Fig.	Antal Quantity	Art nr Part No	Benämning	Description	Anmärkning Notes
1	1	490450	Cylinder kpl	Cylinder Assy	
2	1	399265	Bussning	Bushing	
3	1	391086	Tätningring	Seal	
5	1	494240	Topplöck	Cylinder Head	
7	1	271866	Packning	Gasket	
8	1	391406	Vevhusventilation	Breather	
9	1	27803	Packning	Gasket	
10	2	94621	Skruv	Screw	
11	1	280100	Rör	Tube	
12	1	271916	Packning	Gasket	
13	9	94622	Skruv	Screw	
15	1	94239	Oil drain plug	Oil drain plug	
16	1	490466	Vevaxel	Crankshaft	
18	1	494238	Vevhus	Oil sump	
20	1	291675	Tätningring	Oil Seal   Oil seal	
22	8	94624	Skruv	Screw	
23	1	492326	Flywheel	Flywheel	
24	1	222698	Kil	Key	
25	1	394661	Kolv kpl	Piston Assy	
26	1	391780	Ring set	Ring set	
27	2	260924	Låsring	Lock	
28	1	299691	Kolvspind	Piston Pin	
29	1	490348	Vevstake kpl	Connecting rod assy	
31	1	222299	Låsbleck	Lock	
32	2	92909	Skruv	Screw	
33	1	262246	Utblåsningsventil	Exhaust valve	
34	1	262247	Insugningsventil	Intake valve	
35	1	65906	Ventilfjäder-insug	Valve spring-intake	
36	1	26828	Ventilfjäder-utblås	Valve spring-exhaust	
37	1	223752	Skydd	Cover	
40	1	221596	Hållare	Retainer	
41	1	292260	Rotator	Rotocoil	
42	2	93630	Hållare	Retainer	
45	2	262248	Ventillyftare	Valve tappet	
46	1	212897	Kamaxel	Camshaft	
75	1	224061	Bricka	Washer	
78	3	94626	Skruv	Screw	
188	2	93535	Skruv	Screw	
201	1	262767	Governor link	Governor link	
209	1	260871	Fjäder	Spring	
209	1	262784	Fjäder	Spring	
219	1	490815	Oljekastardrev	Oil slinger gear	
222	1	494887	Governor plate	Governor plate	
225	1	231058	Regulatoraxel	Governor crank	
227	1	493935	Arm	Lever	
230	1	222450	Bricka	Washer	
232	1	262785	Fjäder	Spring	
265	1	221535	Klämma	Clamp	
284	1	94620	Skruv	Screw	







Utgåva Issue 44 - 2014		Cylinder Vevhus	Cylinder Crankcase		
Pos. Fig.	Antal Quantity	Art nr Part No	Benämning	Description	Anmärkning Notes
304	1	494268	Blower housing	Blower housing	
304	1	494269	Blower housing	Blower housing	
305	4	94619	Skruv	Screw	
306	1	224545	Shield	Shield	
307	1	94623	Skruv	Screw	
308	1	491490	Skydd	Cover	
332	1	92284	Mutter	Nut	
337	1	1111-9028-02	Tändstift (J19Lm)	Spark Plug (J19Lm)	Champion J19LM
337	1	9400-0225-00	Tändstift (J19Lm)	Spark Plug (J19Lm)	Champion J19LM
346	2	93705	Skruv	Screw	
356	1	494328	Ground wire	Ground wire	
358	1	494241	Packningssats-motor	Gasket set-engine	Märkta/marked S
363	1	19203	Avdragare	Puller	Tillbehör/Accessory
383	1	1111-9029-01	Tändstiftsnyckel (19 Mm-21 Mm)	Spark Plug Wrench (19 Mm-21 Mm)	Tillbehör/Accessory
422	1	224390	Clamp	Clamp	
455	1	222561	Kopp	Cup	
468	1	222562	Nät	Screen	
523	1	490327	Oljesticka	Oil dipstick	
524	1	68838	Tätning	Seal	
525	1	280741	Rör	Tube	
552	1	231597	Bussning	Bushing	
562	1	92613	Skruv	Screw	
592	1	231082	Mutter	Nut	
614	1	93306	Låsnål	Cotter Pin   Cotter pin	
615	1	93307	Låsring	Retainer	
634	1	491323	Oil seal	Oil seal	
635	1	66538	Tändstiftsskydd	Spark plug elbow	
657	1	93496	Skruv	Screw	
663	2	94620	Skruv	Screw	
668	1	280848	Distans	Spacer	
729	1	281159	Clip	Clip	
741	1	262135	Drev	Gear	
757	1	212359	Länk	Link	
758	1	399891	Balanseringsvikt	Counterweight	
759	1	298909	Kolvspind	Piston Pin	
761	2	93875	Skruv	Screw	
842	1	270920	Tätning	Seal	
847	1	490474	Oljesticka kpl	Oil filler group	
869	1	261463	Ventilsäte	Valve seat	
870	1	210940	Ventilsäte	Valve seat	
870	1	213316	Valve seat	Valve seat	
871	1	231218	Ventilstyrning-insug	Valve guide-intake	Se rep.handbok
871	1	261961	Ventilstyrning-utblås	Valve guide-exhaust	Se rep.handbok
1005	1	280687	Fläkt	Fan	
1006	1	223726	Fläkthållare	Fan retainer	
1006	1	224413	Hållare	Fan retainer	
1020	1	262243	Excenter	Eccentric	
1021	1	94160	Stift	Pin	





code	pos.	q.ty	page				
222562	468	1	p. 33	393815	187	1	p. 27
222698	24	1	p. 31	394358	240	1	p. 27
223726	1006	1	p. 33	394661	25	1	p. 31
223752	37	1	p. 31	394805	309	1	p. 27
224061	75	1	p. 31	394856	801	1	p. 29
224390	422	1	p. 33	395537	802	1	p. 29
224413	1006	1	p. 33	395538	311	1	p. 27
224539	130	1	p. 27	398003	513	1	p. 27
224540	108	1	p. 27	398159	803	1	p. 29
224545	306	1	p. 33	399169	309	1	p. 27
224546	646	1	p. 29	399172	803	1	p. 29
231058	225	1	p. 31	399265	2	1	p. 31
231082	592	1	p. 33	399891	758	1	p. 33
231218	871	1	p. 33	490309	544	1	p. 27
231597	552	1	p. 33	490310	802	1	p. 29
231789	104	1	p. 27	490311	311	4	p. 27
231790	105	1	p. 27	490316	1003	4	p. 29
231794	147	1	p. 27	490324	727	1	p. 29
260871	209	1	p. 31	490327	523	1	p. 33
260924	27	2	p. 31	490348	29	1	p. 31
261463	869	1	p. 33	490421	510	1	p. 27
261961	871	1	p. 33	490450	1	1	p. 31
262135	741	1	p. 33	490466	16	1	p. 31
262243	1020	1	p. 33	490467	876	1	p. 29
262246	33	1	p. 31	490474	847	1	p. 33
262247	34	1	p. 31	490815	219	1	p. 31
262248	45	2	p. 31	491323	634	1	p. 33
262766	216	1	p. 27	491490	308	1	p. 33
262767	201	1	p. 31	492326	23	1	p. 31
262784	209	1	p. 31	492341	333	1	p. 27
262785	232	1	p. 31	493903	467	1	p. 27
262803	618	1	p. 29	493909	445	1	p. 27
270920	842	1	p. 33	493935	227	1	p. 31
271866	7	1	p. 31	494237	875	1	p. 29
271916	12	1	p. 31	494238	18	1	p. 31
272403	535	1	p. 27	494240	5	1	p. 31
272465	51	1	p. 27	494241	358	1	p. 33
272554	52	1	p. 27	494268	304	1	p. 33
280100	11	1	p. 31	494269	304	1	p. 33
280104	783	1	p. 29	494328	356	1	p. 33
280687	1005	1	p. 33	494378	975	1	p. 29
280741	525	1	p. 33	494379	131	1	p. 27
280848	668	1	p. 33	494380	141	1	p. 27
281051	171	1	p. 27	494381	133	1	p. 27
281104	872	1	p. 29	494382	98	1	p. 27
281106	537	1	p. 27	494383	118	1	p. 27
281159	729	1	p. 33	494384	121	1	p. 27
281164	138	1	p. 27	494451	611	1	p. 29
281165	137	1	p. 27	494502	125	1	p. 27
281166	987	1	p. 29	494537	142	1	p. 27
281167	634	1	p. 29	494887	222	1	p. 31
281168	634	1	p. 29				
281169	106	1	p. 27				
291675	20	1	p. 31				
292260	41	1	p. 31				
298090	240	1	p. 27				
298909	759	1	p. 33				
299691	28	1	p. 31				
390837	544	1	p. 27				
391086	3	1	p. 31				
391406	8	1	p. 31				
391780	26	1	p. 31				
392134	726	1	p. 29				
393362	878	1	p. 29				
393456	877	1	p. 29				
393474	474	1	p. 27				