



Reservdelskatalog Parts Catalogue

PARK 13HST

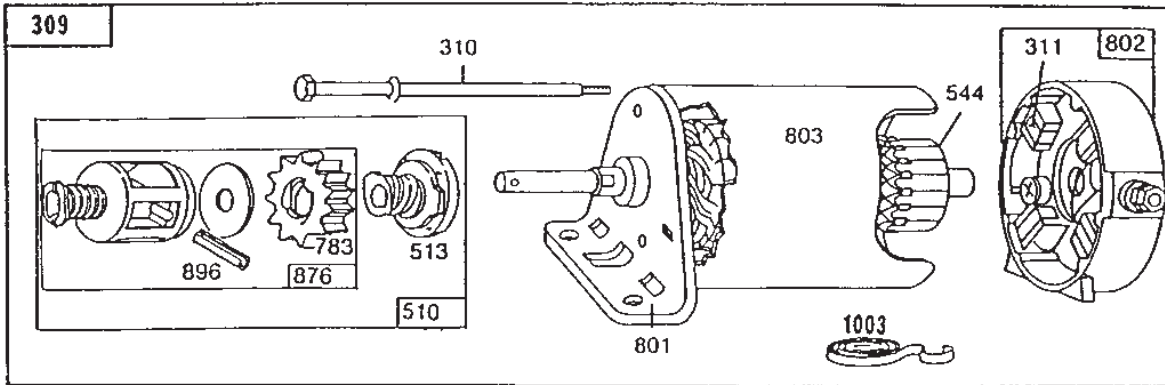
13-1443-19 - Season 1996

- Use GLOBAL GARDEN PRODUCT Genuine Spare Parts specified in the parts list for repair and/or replacement.
 - The contents described in the parts list may change due to improvement.
 - The drawings of the spare parts are only indicative and might not represent the part in question exactly.
 - The indications "right" - "left" - "front" - "rear" refer to the position of the operator when using the machine.
- When placing orders of parts for repair and/or replacement, make sure that the illustrated parts list is the one applying to the machine's year of manufacture, as shown on the identification plate attached to the machine.

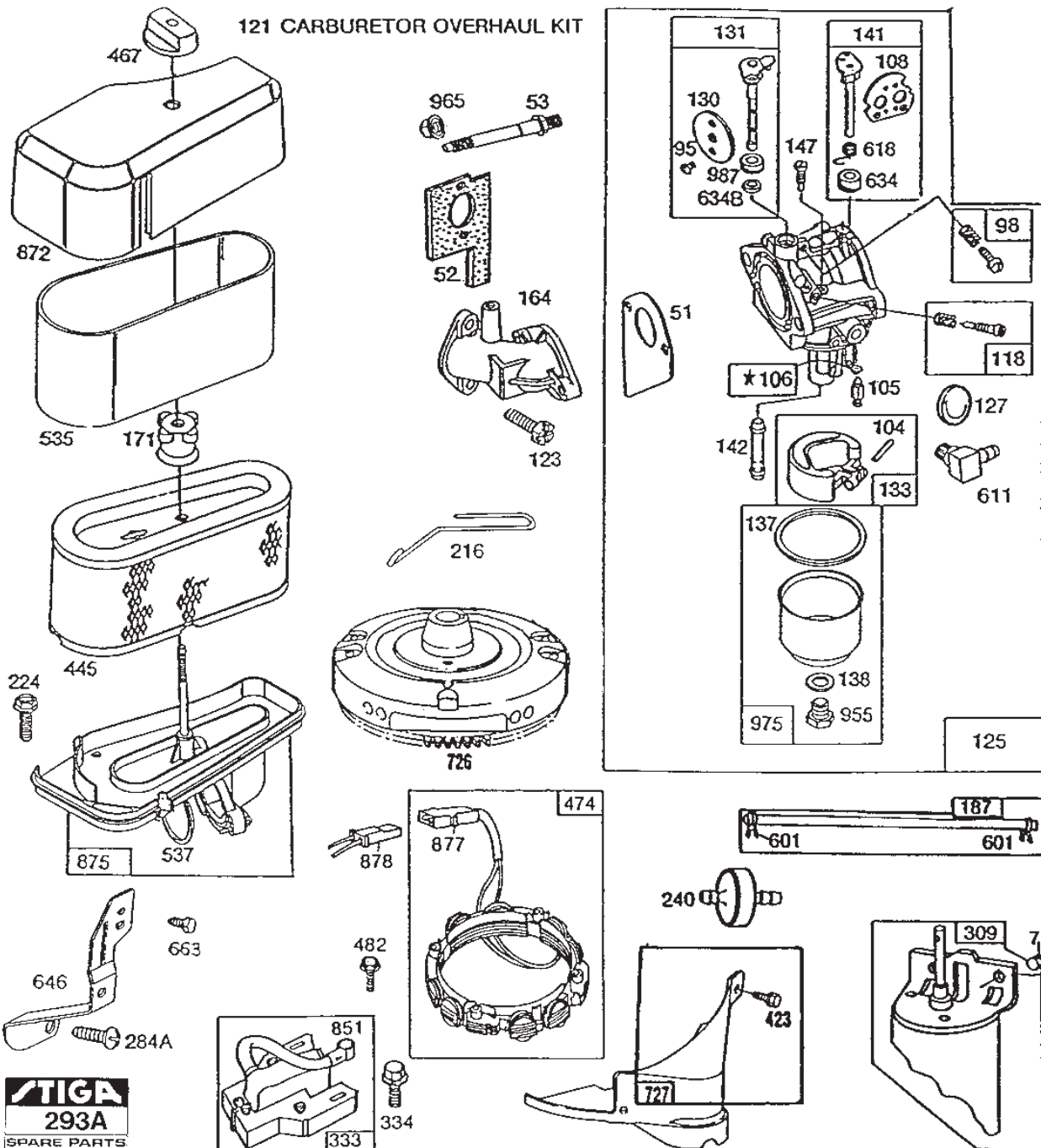
© Copyright 2014 Global Garden Products

All rights reserved. No part of this material may be reproduced or transmitted, in any form or by any means, electronic or mechanical, including photocopying, recording or by any information storage and retrieval system, without permission in writing from GLOBAL GARDEN PRODUCTS.

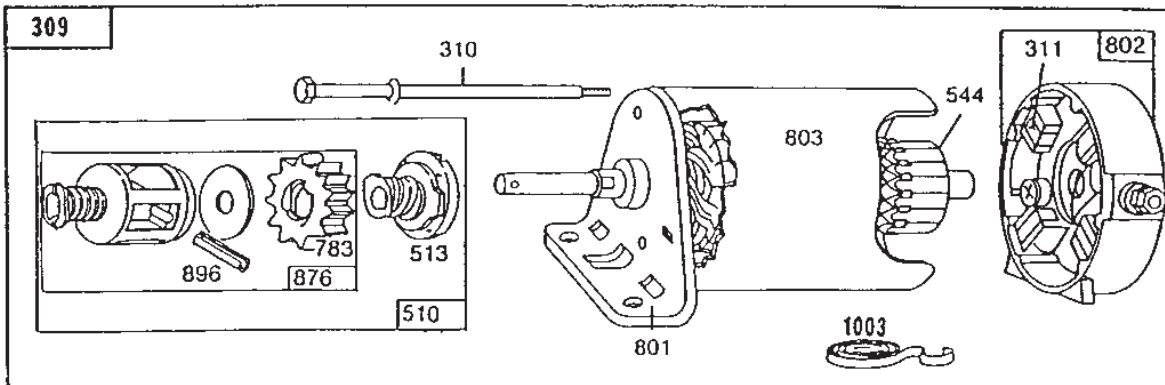
www.stiga.com



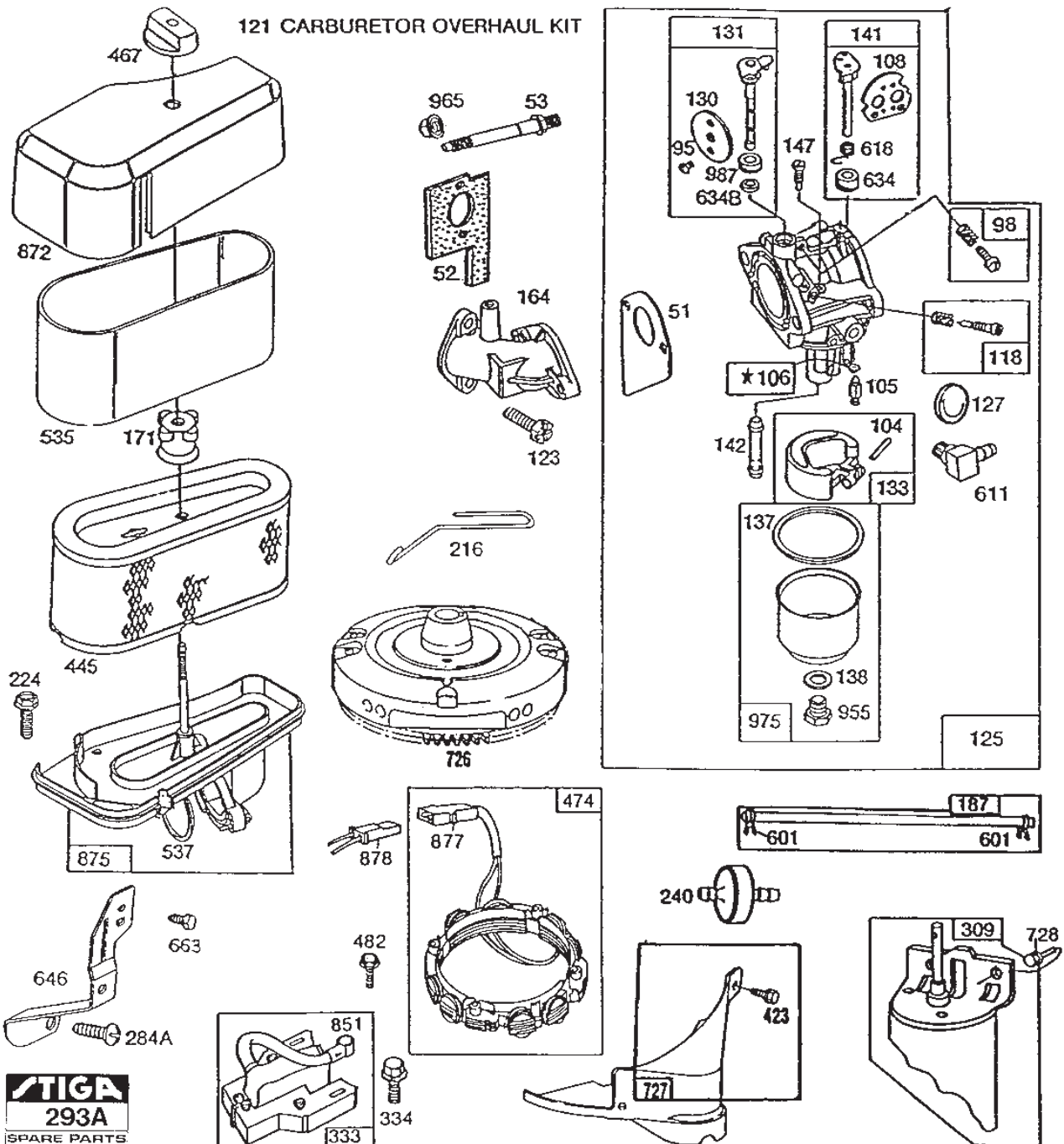
121 CARBURETOR OVERHAUL KIT



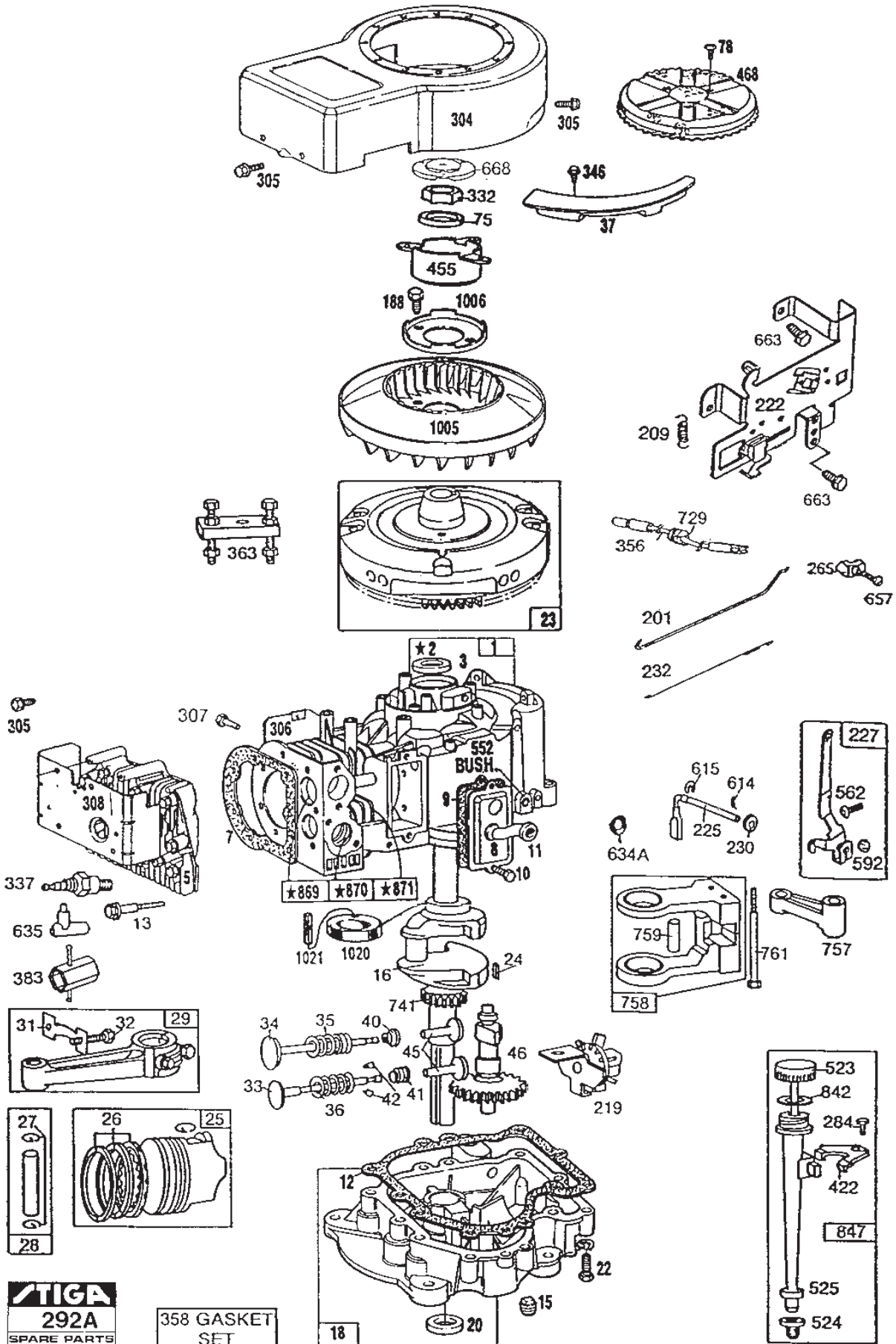
Utgåva Issue 41 - 2014		Förgasare Luftfilter	Carburettor Air Cleaner		
Pos. Fig.	Antal Quantity	Art nr Part No	Benämning	Description	Anmärkning Notes
51	1	272465	Packning	Gasket	
52	1	272554	Packning	Gasket	
53	2	94637	Skruv	Screw	
95	2	94098	Skruv	Screw	
98	1	494382	Skruv	Screw	
104	1	231789	Axel	Shaft	
105	1	231790	Nålventil	Inlet needle valve	
106	1	281169	Valve seat	Valve seat	
108	1	224540	Choke valve	Choke valve	
118	1	494383	Nålventil	Needle valve	
121	1	494384	Carb.overhaul kit	Carb.overhaul kit	Märkta/marked F
123	2	94616	Skruv	Screw	
125	1	494502	Förgasare kpl	Carburettor Assy	
130	1	224539	Gasspjäll	Throttle Valve	
131	1	494379	Axel	Shaft	
133	1	494381	Flottör	Float	
137	1	281165	Packning	Gasket	
138	1	281164	Bricka	Washer	
141	1	494380	Choke shaft	Choke shaft	
142	1	494537	Nozzle	Nozzle	
147	1	231794	Nozzle	Nozzle	
164	1	213819	Carburettor elbow	Carburettor elbow	
171	1	281051	Mutter	Nut	
187	1	393815	Bränsleledning	Fuel line	
216	1	262766	Choke link	Choke link	
224	1	94513	Skruv	Screw	
240	1	298090	Bränslefilter	Fuel Filter	
240	1	394358	Bränslefilter	Fuelfilter	
284	1	94326	Skruv	Screw	
309	1	394805	Starter motor	Starter motor	
309	1	399169	Starting motor	Starting motor	
310	2	94003	Skruv	Screw	
310	2	94169	Bult	Bolt	
311	1	395538	Släpkol	Brush	
311	4	490311	Brush	Brush	
333	1	492341	Armature magneto	Armature magneto	
334	2	93381	Skruv	Screw	
423	2	94625	Skruv	Screw	
445	1	493909	Cartridge	Cartridge	
467	1	493903	Låsratt	Knob	
474	1	393474	Generator	Alternator	
482	4	93621	Skruv	Screw	
510	1	490421	Drev kpl	Drive assy	
513	1	398003	Koppling kpl	Clutch Ass.Y	
535	1	272403	Filterelement	Air Cleaner Element	
537	1	281106	O-ring	O-ring	
544	1	390837	Armature	Armature	
544	1	490309	Armature	Armature	
601	2	93053	Slangklämma	Hose clamp	



121 CARBURETOR OVERHAUL KIT



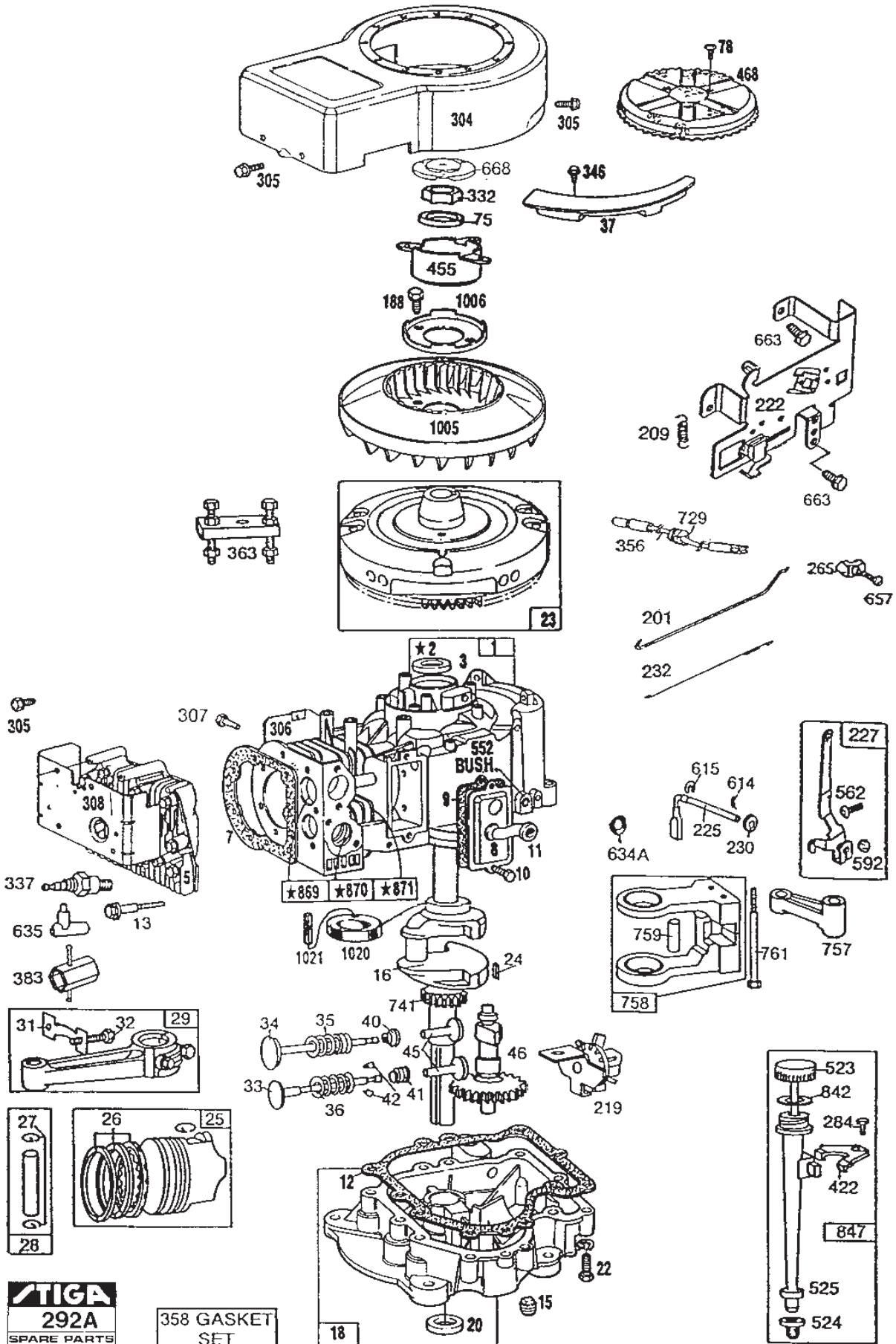
Utgåva Issue 41 - 2014		Förgasare Luftfilter	Carburettor Air Cleaner		
Pos. Fig.	Antal Quantity	Art nr Part No	Benämning	Description	Anmärkning Notes
611	1	494451	Nippel	Inlet tube	
618	1	262803	Fjäder	Spring	
634	1	281167	Bricka	Washer	
634	1	281168	Bricka	Washer	
646	1	224546	Brace	Brace	
663	2	94620	Skruv	Screw	
726	1	392134	Kuggkrans	Gear ring	
727	1	490324	Skyddskåpa	Cover	
728	2	94627	Skruv	Screw	
783	1	280104	Drev	Gear	
801	1	394856	Lock	Drive end cap	
802	1	395537	Botten	End cap	
802	1	490310	Bottenkåpa	Commutator end cap	
803	1	398159	Hus	Housing	
803	1	399172	Hus	Housing	
851	1	221798	Anslutning	Terminal	
872	1	281104	Cover	Cover	
875	1	494237	Air cleaner body	Air cleaner body	
876	1	490467	Startdrev	Retainer kit	
877	1	393456	Connector	Connector	
878	1	393362	Kabelhärva	Harness	
896	1	94288	Stift	Roll pin	
955	1	94642	Skruv	Screw	
965	2	94108	Låsmutter	Nut	
975	1	494378	Bowl	Bowl	
987	1	281166	Seal	Seal	
1003	4	490316	Fjäder	Spring	



STIGA
292A
SPARE PARTS

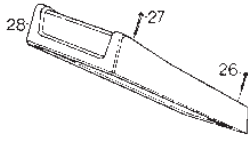
358 GASKET SET

Utgåva Issue 41 - 2014		Cylinder Vevhus		Cylinder Crankcase	
Pos. Fig.	Antal Quantity	Art nr Part No	Benämning	Description	Anmärkning Notes
1	1	490450	Cylinder kpl	Cylinder Assy	
2	1	399265	Bussning	Bushing	
3	1	391086	Tätningring	Seal	
5	1	494240	Topplöck	Cylinder Head	
7	1	271866	Packning	Gasket	
8	1	391406	Vevhusventilation	Breather	
9	1	27803	Packning	Gasket	
10	2	94621	Skruv	Screw	
11	1	280100	Rör	Tube	
12	1	271916	Packning	Gasket	
13	9	94622	Skruv	Screw	
15	1	94239	Oil drain plug	Oil drain plug	
16	1	490466	Vevaxel	Crankshaft	
18	1	494238	Vevhus	Oil sump	
20	1	291675	Tätningring	Oil seal Oil Seal	
22	8	94624	Skruv	Screw	
23	1	492326	Flywheel	Flywheel	
24	1	222698	Kil	Key	
25	1	394661	Kolv kpl	Piston Assy	
26	1	391780	Ring set	Ring set	
27	2	260924	Låsring	Lock	
28	1	299691	Kolvspind	Piston Pin	
29	1	490348	Vevstake kpl	Connecting rod assy	
31	1	222299	Låsbleck	Lock	
32	2	92909	Skruv	Screw	
33	1	262246	Utblåsningsventil	Exhaust valve	
34	1	262247	Insugningsventil	Intake valve	
35	1	65906	Ventilfjäder-insug	Valve spring-intake	
36	1	26828	Ventilfjäder-utblås	Valve spring-exhaust	
37	1	223752	Skydd	Cover	
40	1	221596	Hållare	Retainer	
41	1	292260	Rotator	Rotocoil	
42	2	93630	Hållare	Retainer	
45	2	262248	Ventillyftare	Valve tappet	
46	1	212897	Kamaxel	Camshaft	
75	1	224061	Bricka	Washer	
78	3	94626	Skruv	Screw	
188	2	93535	Skruv	Screw	
201	1	262767	Governor link	Governor link	
209	1	260871	Fjäder	Spring	
209	1	262784	Fjäder	Spring	
219	1	490815	Oljekastardrev	Oil slinger gear	
222	1	494887	Governor plate	Governor plate	
225	1	231058	Regulatoraxel	Governor crank	
227	1	493935	Arm	Lever	
230	1	222450	Bricka	Washer	
232	1	262785	Fjäder	Spring	
265	1	221535	Klämma	Clamp	
284	1	94620	Skruv	Screw	

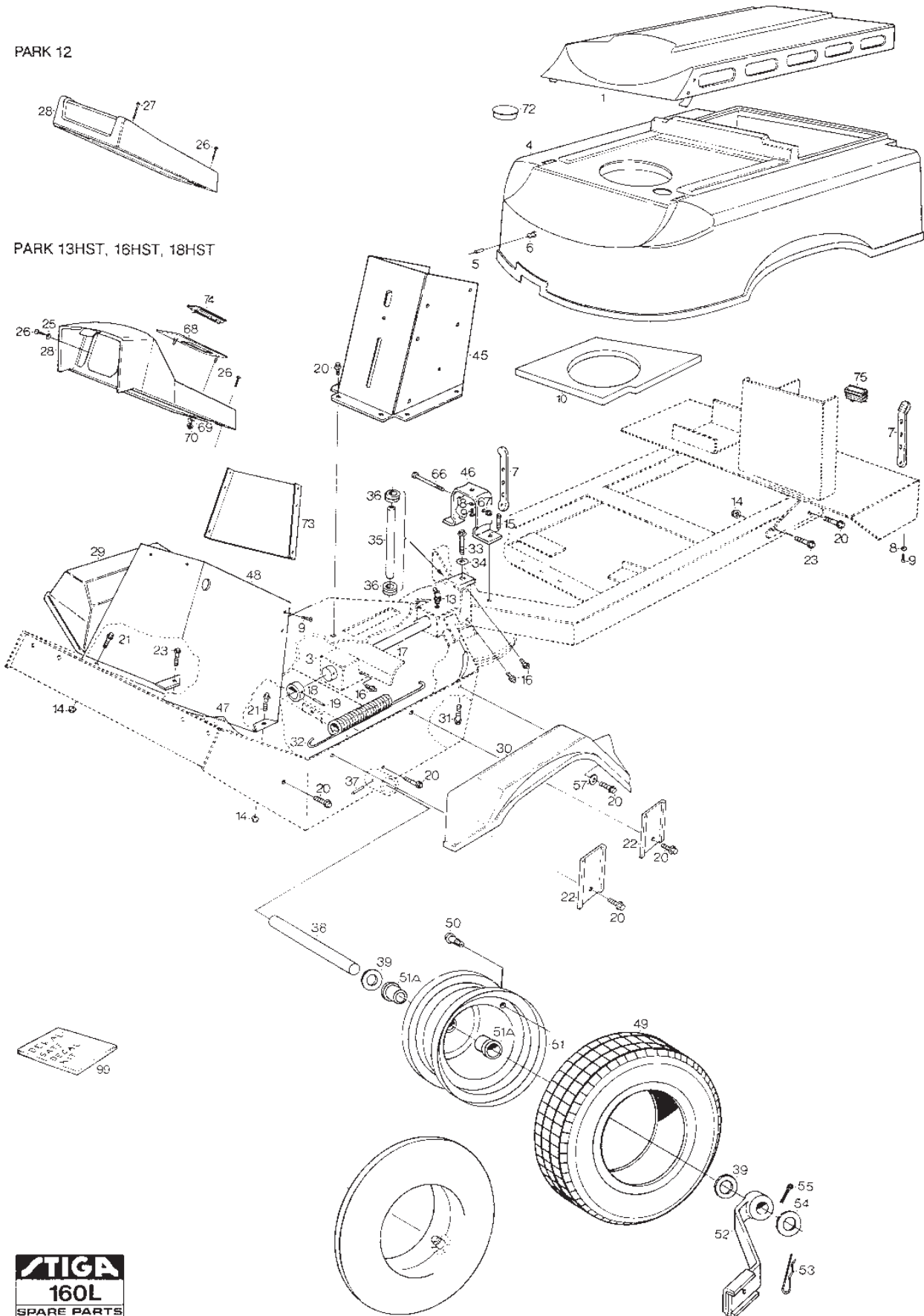
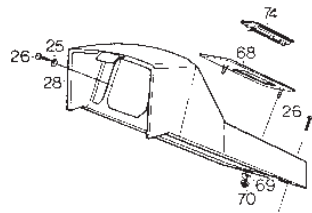


Utgåva Issue 41 - 2014		Cylinder Vevhus	Cylinder Crankcase		
Pos. Fig.	Antal Quantity	Art nr Part No	Benämning	Description	Anmärkning Notes
304	1	494268	Blower housing	Blower housing	
304	1	494269	Blower housing	Blower housing	
305	4	94619	Skruv	Screw	
306	1	224545	Shield	Shield	
307	1	94623	Skruv	Screw	
308	1	491490	Skydd	Cover	
332	1	92284	Mutter	Nut	
337	1	1111-9028-02	Tändstift (J19Lm)	Spark Plug (J19Lm)	Champion J19LM
337	1	9400-0225-00	Tändstift (J19Lm)	Spark Plug (J19Lm)	Champion J19LM
346	2	93705	Skruv	Screw	
356	1	494328	Ground wire	Ground wire	
358	1	494241	Packningssats-motor	Gasket set-engine	Märkta/marked S
363	1	19203	Avdragare	Puller	Tillbehör/Accessory
383	1	1111-9029-01	Tändstiftsnyckel (19 Mm-21 Mm)	Spark Plug Wrench (19 Mm-21 Mm)	Tillbehör/Accessory
422	1	224390	Clamp	Clamp	
455	1	222561	Kopp	Cup	
468	1	222562	Nät	Screen	
523	1	490327	Oljesticka	Oil dipstick	
524	1	68838	Tätning	Seal	
525	1	280741	Rör	Tube	
552	1	231597	Bussning	Bushing	
562	1	92613	Skruv	Screw	
592	1	231082	Mutter	Nut	
614	1	93306	Låsnål	Cotter Pin Cotter pin	
615	1	93307	Låsring	Retainer	
634	1	491323	Oil seal	Oil seal	
635	1	66538	Tändstiftsskydd	Spark plug elbow	
657	1	93496	Skruv	Screw	
663	2	94620	Skruv	Screw	
668	1	280848	Distans	Spacer	
729	1	281159	Clip	Clip	
741	1	262135	Drev	Gear	
757	1	212359	Länk	Link	
758	1	399891	Balanseringsvikt	Counterweight	
759	1	298909	Kolvspind	Piston Pin	
761	2	93875	Skruv	Screw	
842	1	270920	Tätning	Seal	
847	1	490474	Oljesticka kpl	Oil filler group	
869	1	261463	Ventilsäte	Valve seat	
870	1	210940	Ventilsäte	Valve seat	
870	1	213316	Valve seat	Valve seat	
871	1	231218	Ventilstyrning-insug	Valve guide-intake	Se rep.handbok
871	1	261961	Ventilstyrning-utblås	Valve guide-exhaust	Se rep.handbok
1005	1	280687	Fläkt	Fan	
1006	1	223726	Fläkthållare	Fan retainer	
1006	1	224413	Hållare	Fan retainer	
1020	1	262243	Excenter	Eccentric	
1021	1	94160	Stift	Pin	

PARK 12

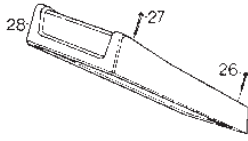


PARK 13HST, 16HST, 18HST

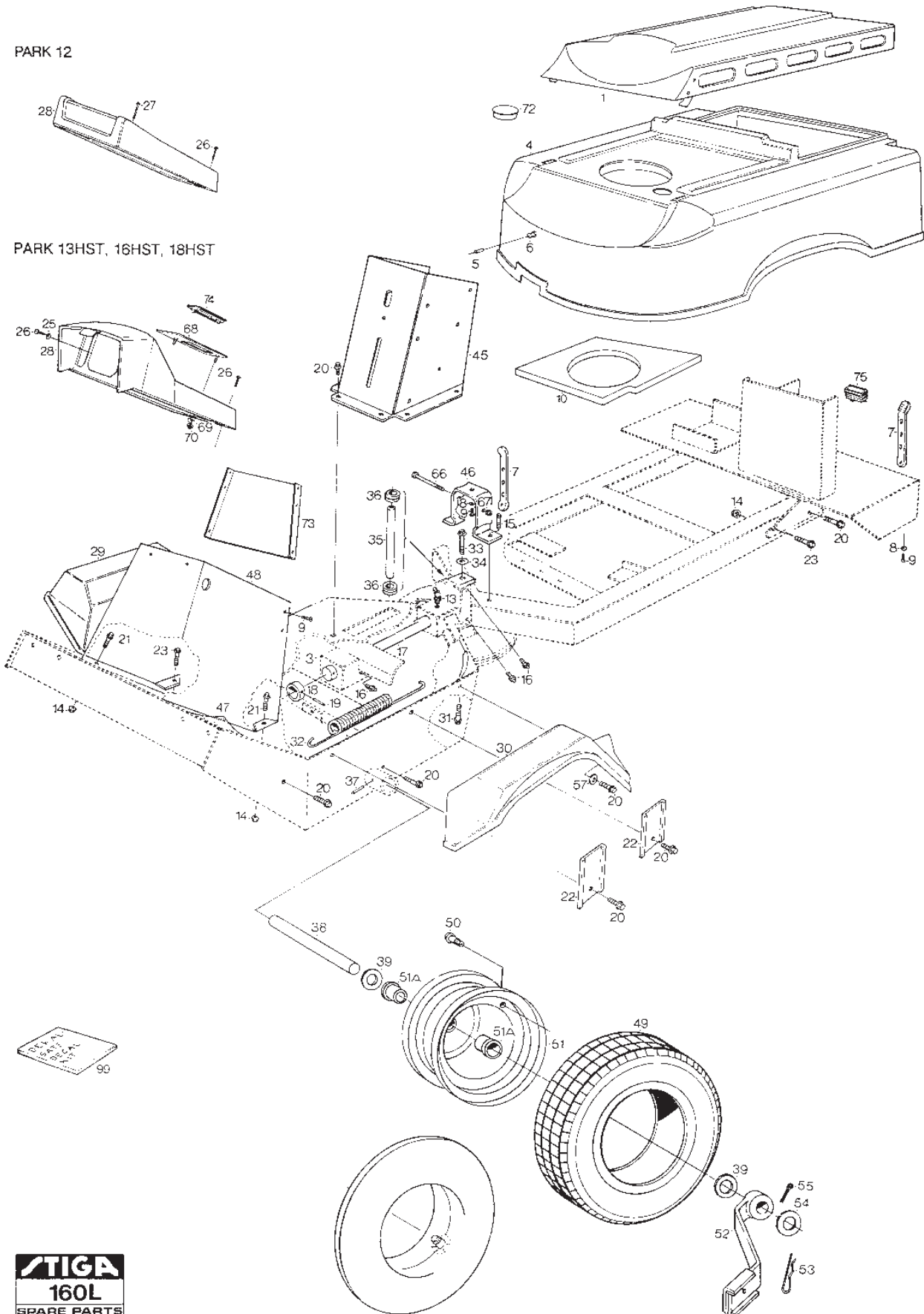
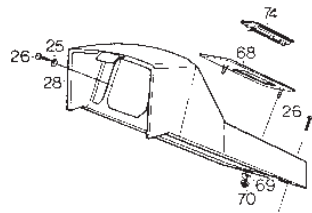


Utgåva Issue 41 - 2014		Ram	Frame		
Pos. Fig.	Antal Quantity	Art nr Part No	Benämning	Description	Anmärkning Notes
1	1	1134-2215-01	Motorlucka5-01	Engine Cover (Black)	
3	1	1134-3411-03	Främre ram	Front frame	
4	1	1134-3215-01	Motorhuv 1-00	Engine Hood	
5	3	9632-0516-00	Popnit Tap/D/Bs 416 Gf9.5	Pop Rivet	
6	3	9405-0029-00	Knopp	Knob	
7	1	1134-9028-01	Gummistropp (3 St)	Rubber Strap (3 Pcs)	Innehåller/contains 3
8	3	9699-0087-02	Bricka	Washer	
9	3	9849-8013-16	Skruv	Screw	
10	1	1134-2053-01	Ljudisoleringsmatta	Foam Pad	15 mm
13	1	9501-0502-00	Smörjnippel	Grease Joint	
14	8	9739-0831-22	Mutter	Nut	
15	2	9942-0612-16	Skruv	Screw	
16	4	9501-0500-00	Smörjkopp Kort Rak	Grease Dispenser	
17	1	1134-1757-07	Midjegaffel M Ledaxel 5-01 H-10	Clevis	
18	1	1134-0031-00	Ledaxelstopp	Pivot Shaft Stop	
19	1	9595-0262-00	Spännstift	Locating Pin	
20	18	9942-0816-16	Skruv	Screw	
21	4	9959-0816-16	Skruv	Screw	16 mm
22	4	1134-0225-00	Stödplåt	Support Plate	
23	4	9959-0820-16	Skruv	Screw	20 mm
25	2	9699-0099-02	Bricka	Washer	
26	4	9849-8013-16	Skruv	Screw	13 mm
28	1	1134-3371-01	Instrumentpanel	Panel	
29	1	1134-2174-02	Framskärm Höger1-00	Mudguard,Rh (Yellow)	
30	1	1134-2174-01	Framskärm Vänster1-00	Mudguard,Lh (Yellow)	
31	1	9959-1025-16	Skruv	Screw	
32	1	1134-2171-01	Fjäder	Spring	
33	1	9959-1020-16	Skruv	Screw	
34	1	9699-0035-02	Bricka	Washer	
35	1	1134-0057-00	Centrumaxel	Centre Shaft	
36	2	9547-0001-00	Ledlager Ge17Es	Bearing	
37	2	9595-0258-00	Spännstift	Locating Pin	
38	2	1134-0075-01	Framaxeltapp	Front Axle	
39	6	1134-0341-01	Bricka	Washer	
45	1	1134-3252-02	Sitskonsol-gul	Seat Bracket-Yellow	
46	1	1134-2951-01	Huvstöd Par	Engine Cover Support	
47	1	1134-3546-01	Durkmatta Park Hst	Floor Mat	
48	1	1134-2833-10	Frontdekor Kpl 1-00 02	Front Trim Plate	
49	2	9545-0116-00	Däck	Tyre	16 X 7.50-8
50	2	9545-0500-00	Ventil	Valve Assy.	
51	1	1134-9026-01	Bussning	Bearing	Innehåller/contains 4
51	2	1134-2668-01	Fälg kpl	Rim assy	
52	2	1134-3710-01	Fäste Kpl 5-01 15	Attachment For Accessories	960416-
52	2	1134-1183-04	1134-3710-01+9599-0080-02	1134-3710-01+9599-0080-02	-960415
53	2	9599-0080-02	SaxSprint Sp 4*28	Cotter Pin	960416-
53	2	9598-0003-02			-960415
54	2	9699-0042-02	Bricka	Washer	
55	2	9599-0080-02	SaxSprint Sp 4*28	Cotter Pin	
57	2	9699-0056-02	Bricka	Washer	

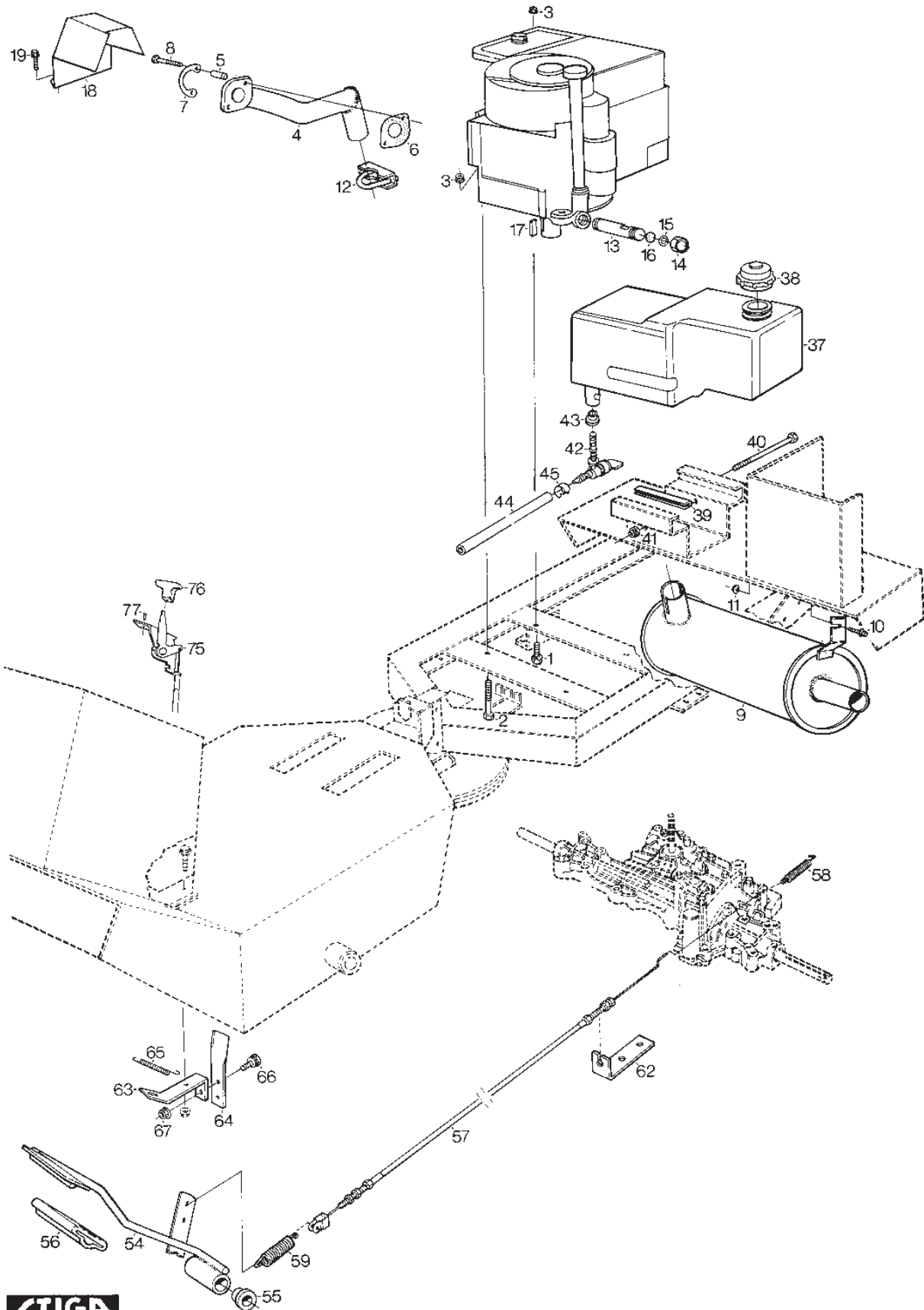
PARK 12



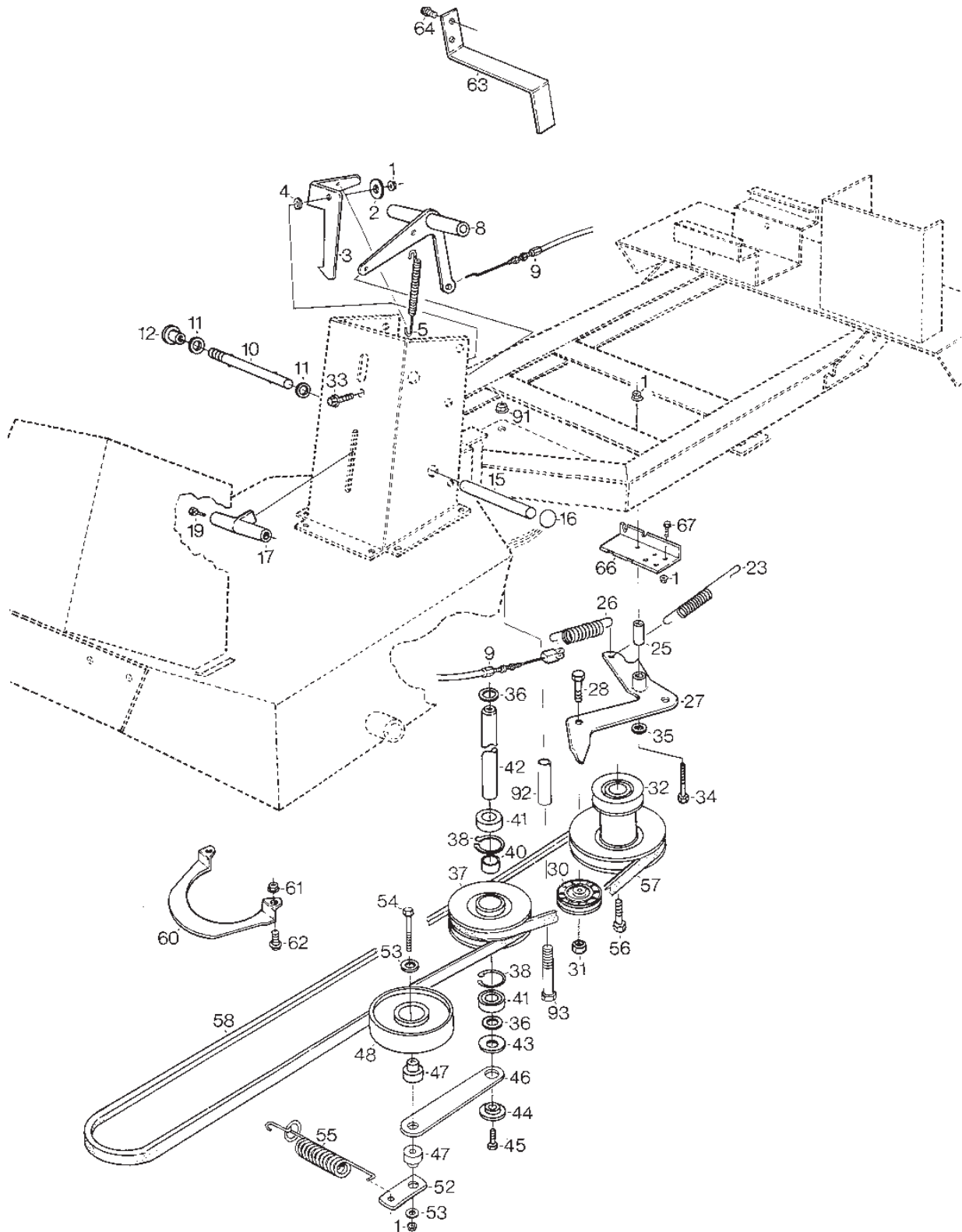
PARK 13HST, 16HST, 18HST



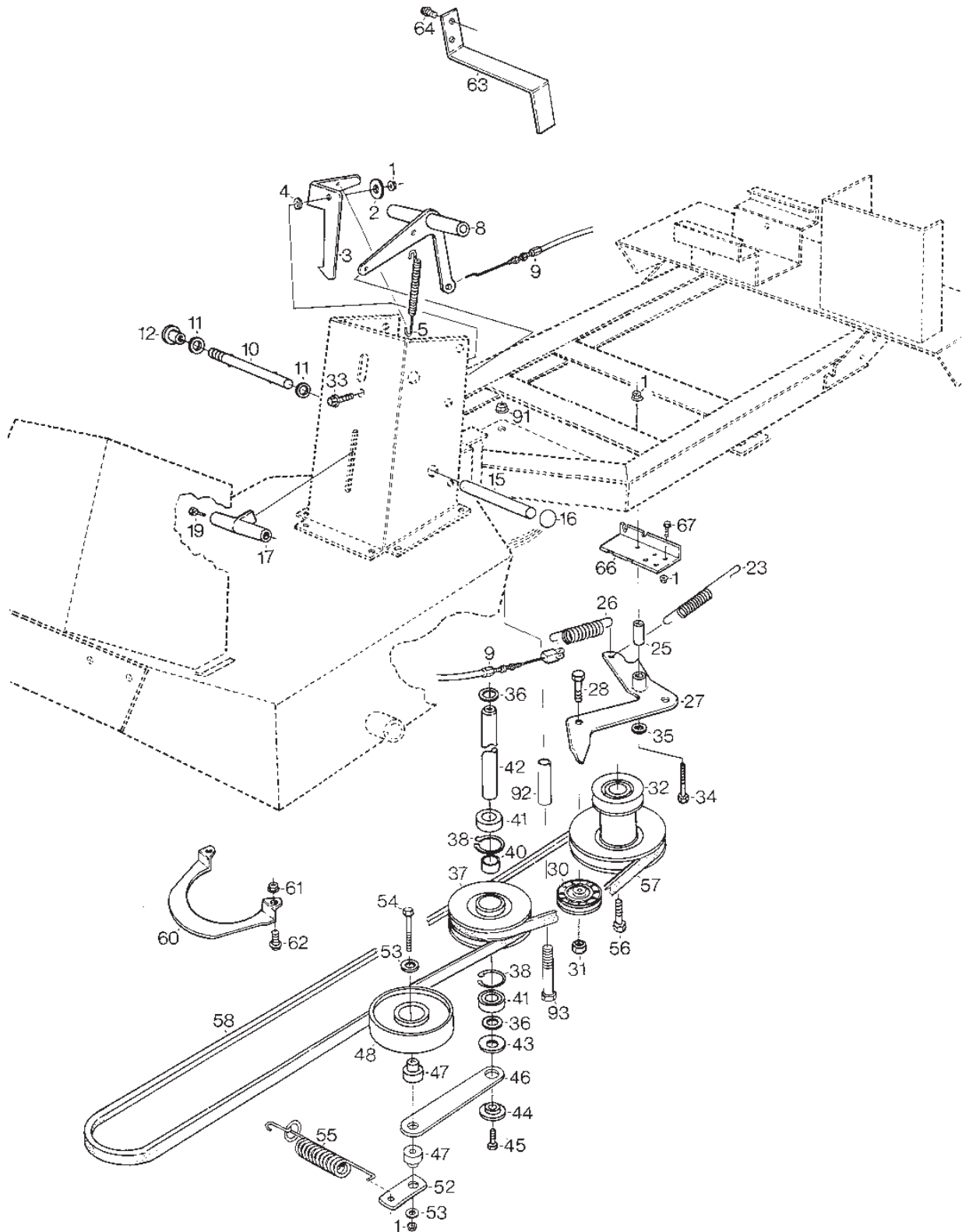
Utgåva Issue 41 - 2014		Ram Frame			
Pos. Fig.	Antal Quantity	Art nr Part No	Benämning	Description	Anmärkning Notes
66	1	9997-0670-12	Skruv	Screw	
67	1	9747-0631-02	Mutter Låsmutter	Nut	
68	1	1134-2864-01	Täckbricka Kpl.5-01	Instrument panel	
69	2	9699-0060-02	Bricka	Washer	
70	2	9739-0631-22	Mutter Strålkastare	Nut Working lamp	
74	1	1134-3330-01	Blindlock	Cover	
75	3	1134-3540-01	Ändavslutning Ir 2030	Plastic Plug	Art.no. 1442-43-46-48
99	1	1134-3558-01	Dekalsats	Label Kit	



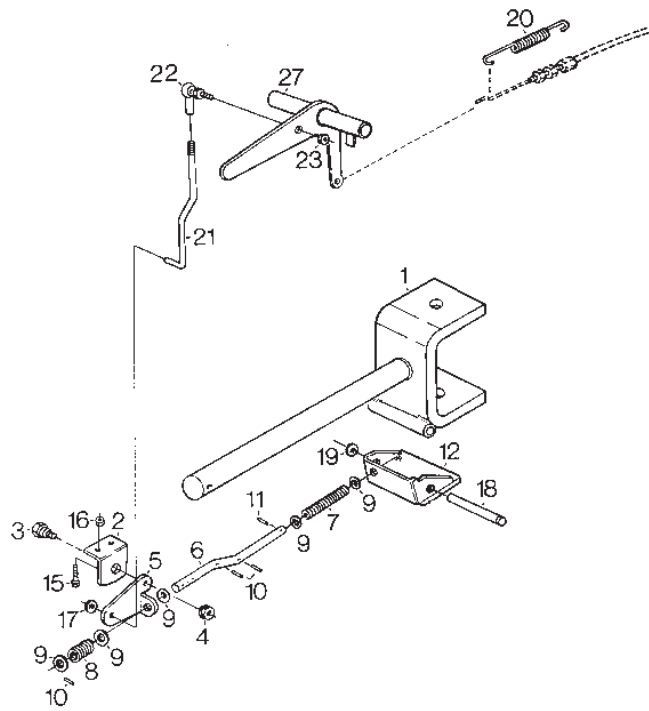
Utgåva Issue 41 - 2014		Motor Broms	Engine Brake		
Pos. Fig.	Antal Quantity	Art nr Part No	Benämning	Description	Anmärkning Notes
1	3	9997-0840-16	Skruv	Screw	40 mm
2	1	9997-0870-16	Skruv	Screw	70 mm
3	4	9739-0831-22	Mutter	Nut	
4	1	1134-2718-01	Avgasrör	Exhaust pipe	
4	1	1134-3738-01	Avgasrör Kpl	Exhaust Pipe	
5	2	1134-1565-01	Distans	Spacer	
6	1	1134-0433-00	Packning	Gasket	
7	1	1134-2462-01	Låsbleck	Lock	
8	2	9988-3651-12	Skruv	Screw	
9	1	1134-3244-01	Ljuddämpare	Silencer	
10	1	9959-0816-16	Skruv	Screw	
11	1	9739-0831-22	Mutter	Nut	
12	1	9578-0011-00	Klämma F Ljuddämp D35 Rid	Clamp	
13	1	1134-2212-01	Oljeavtappningsrör Kpl.	Oil Drain Pipe	
14	1	1134-0995-01	Plugg	Plug	
15	1	9404-0020-00	O-Ring 11,3 X 2,4	O-ring	
16	1	1134-0997-01	Packning	Gasket	
17	1	9600-0250-00	Kil	Key	
18	1	1134-2733-01	Värmskydd (5-01 F12)20	Heat Protection	
19	2	9942-0612-16	Skruv	Screw	
37	1	1134-3593-01	Bränsletank	Fuel Tank	
38	1	1134-2877-02	Tanklock	Fuel Tank Cap	
39	2	1134-2941-01	Kantskyddslist S	Protection Strip	
40	1	9997-0812-02	Skruv	Screw	
41	1	9747-0831-02	Mutter Låsmutter	Nut	
42	1	1134-3224-01	Bensinkran	Fuel Shut-Off Valve	
43	1	1134-3225-01	Gummibussning	Grommet	
44	1	1134-2975-06	Bensinslang	Fuel Tube	L=40 mm
45	2	1134-3499-01	Slangklämma	Hose Clamp	
54	1	1134-3450-01	Bromspedal (vä sida)	Brake pedal (L. H.)	Vä sida/L.H. side
55	1	1134-9024-01	Lager (4 St)	Bearing	Sats 4 st/kit of 4
56	1	1134-0269-00	Pedalgummi	Pedal Rubber	
57	1	1134-3573-02	Motorbromswire	Cable, Thread Engine Brake	
58	1	1131-1506-00	Fjäder	Spring	
59	1	1134-1242-02	Fjäder	Spring	
62	1	1134-3402-01	Kabelhållare	Wire Holder	
63	1	1134-1184-02	Stag F Parkeringsbroms	Stay	
64	1	1134-2151-02	Spärr	Stop	
65	1	1131-1497-01	Fjäder	Brake Spring	
66	1	1134-0245-00	Skruv	Screw	
67	1	9739-0831-22	Mutter	Nut	
75	1	1134-1975-11	Gasreglage	Throttle Cable	
76	1	9403-0035-10	Knopp	Knob	
77	2	9849-8013-16	Skruv	Screw	



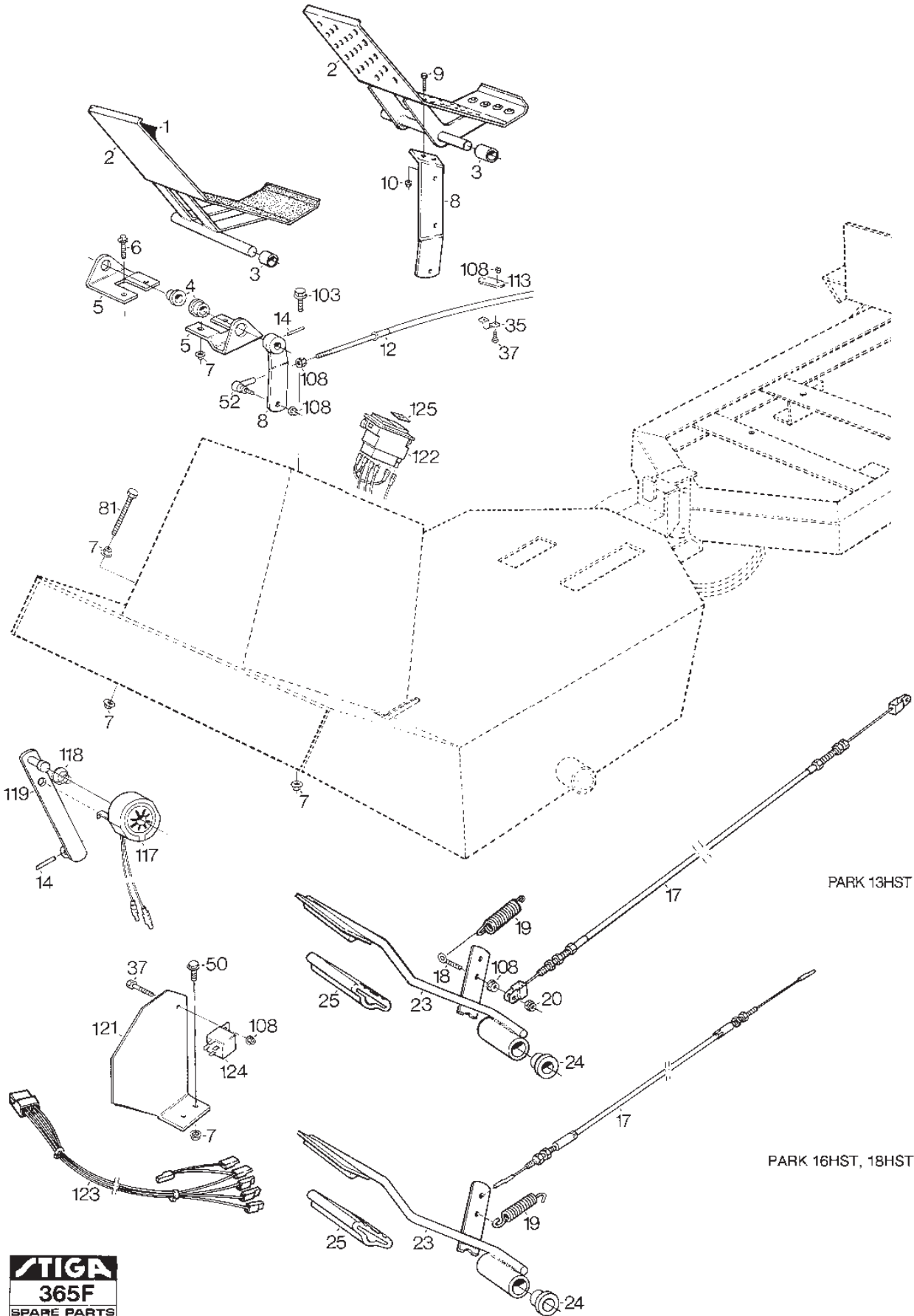
Utgåva Issue 41 - 2014		Power Take-Off			
Pos. Fig.	Antal Quantity	Art nr Part No	Benämning	Description	Anmärkning Notes
1	5	9739-0831-22	Mutter	Nut	
2	1	1134-0143-00	Bricka	Washer	
3	1	1134-2453-01	Låshake	Locking Pawl	
4	1	9695-0002-00	Bricka	Washer	
5	1	1131-1497-01	Fjäder	Brake Spring	
8	1	1134-1396-02	Spak	Lever	1442,1443,1446
8	1	1134-0027-01	Reglagespak	Control Lever	1168,1358,1458
9	1	1134-3573-01	Wire (Kraft)	Cable	
10	1	1134-1972-01	Urkopplingsspak	Disengaging Lever	
11	2	9699-0025-02	Bricka	Washer	
12	1	1134-0583-00	Knopp	Knob	
15	1	1134-0022-00	Reglagestång	Control Rod	
16	2	9672-0004-02			
17	1	1134-0153-00	T-Handtag	Handle Gear Shifter	
19	1	9847-8016-16	Skruv	Screw	
23	1	1131-1506-00	Fjäder	Spring	
25	1	1134-1565-01	Distans	Spacer	
26	1	1134-1242-02	Fjäder	Spring	
27	1	1134-2018-01	Spännarm Kpl 5-01 24	Tensioning Arm	
28	1	9997-1030-16	Skruv	Screw	
30	1	1134-9027-01	Spännrulle (Svart)	Tension Roller (Black)	
31	1	9799-1031-02	Mutter	Nut	
32	1	9997-1450-16	Skruv	Screw	Tillbehör/accessory
32	1	1134-2020-01	Motorremskiva	Engine Pulley	
33	1	9959-0820-16	Skruv	Screw	
34	1	9997-0850-16	Skruv	Screw	
35	1	9699-0056-02	Bricka	Washer	
36	2	1134-0052-00	Distans	Spacer	
37	1	1134-1769-02	Remskiva	Belt Pulley	
38	2	9651-0040-04	Spårring Sgh 40	Circlip	
40	1	1134-0051-09	Distans	Spacer	
41	2	9549-0019-00	Kullager	Ball Bearing	
42	1	1134-0057-00	Centrumaxel	Centre Shaft	
43	1	9699-0109-02	Bricka	Washer	
44	1	1134-0222-00	Bricka	Washer	
45	1	9959-1025-16	Skruv	Screw	
46	1	1134-1730-01	Spännhjulsarm	Tensioning Wheel Arm	
47	2	1134-1888-01	Distans	Spacer	
48	1	1134-1770-01	Spännhjul Kpl	Tension Roller	
52	1	1134-1893-01	Fjäder	Spring	
53	2	9699-0062-02	Bricka	Washer	
54	1	9997-0865-12	Skruv	Screw	
55	1	1134-1322-01	Fjäder	Tensioning Wheel Spring	
56	1	9987-5338-12	Skruv	Screw	
57	1	1134-9012-01	Kilrem	V-Belt	=9585-0056-00
60	1	1134-3654-01	Fingerskydd 5-01 24	Guard	1168,1358,1458
61	2	9739-0631-22	Mutter Strålkastare	Nut Working lamp	
62	2	9959-0612-16	Skruv	Screw	
63	1	1134-2381-01	Remstyrning	Belt Guide	



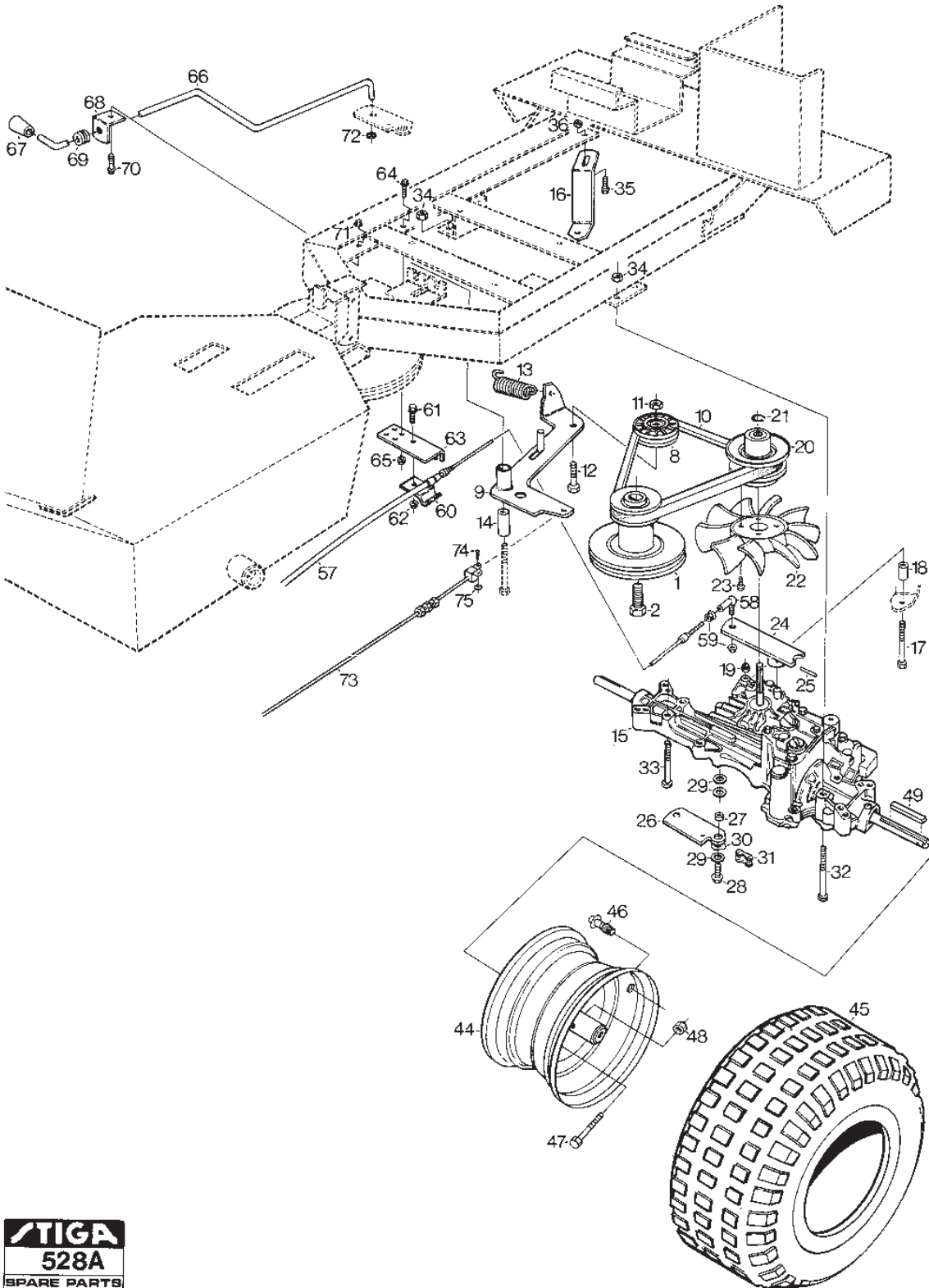
Utgåva Issue 41 - 2014		Power Take-Off			
Pos. Fig.	Antal Quantity	Art nr Part No	Benämning	Description	Anmärkning Notes
64	2	9942-0816-16	Skruv	Screw	
66	1	1134-3400-01	Vinkelarm 5-01 24	Angle Plate	
67	2	9959-0816-16	Skruv	Screw	
91	1	9739-1031-22	Mutter	Nut	
92	1	1134-0041-03	Bussning	Bushing	
93	1	9997-1070-12	Skruv	Screw	



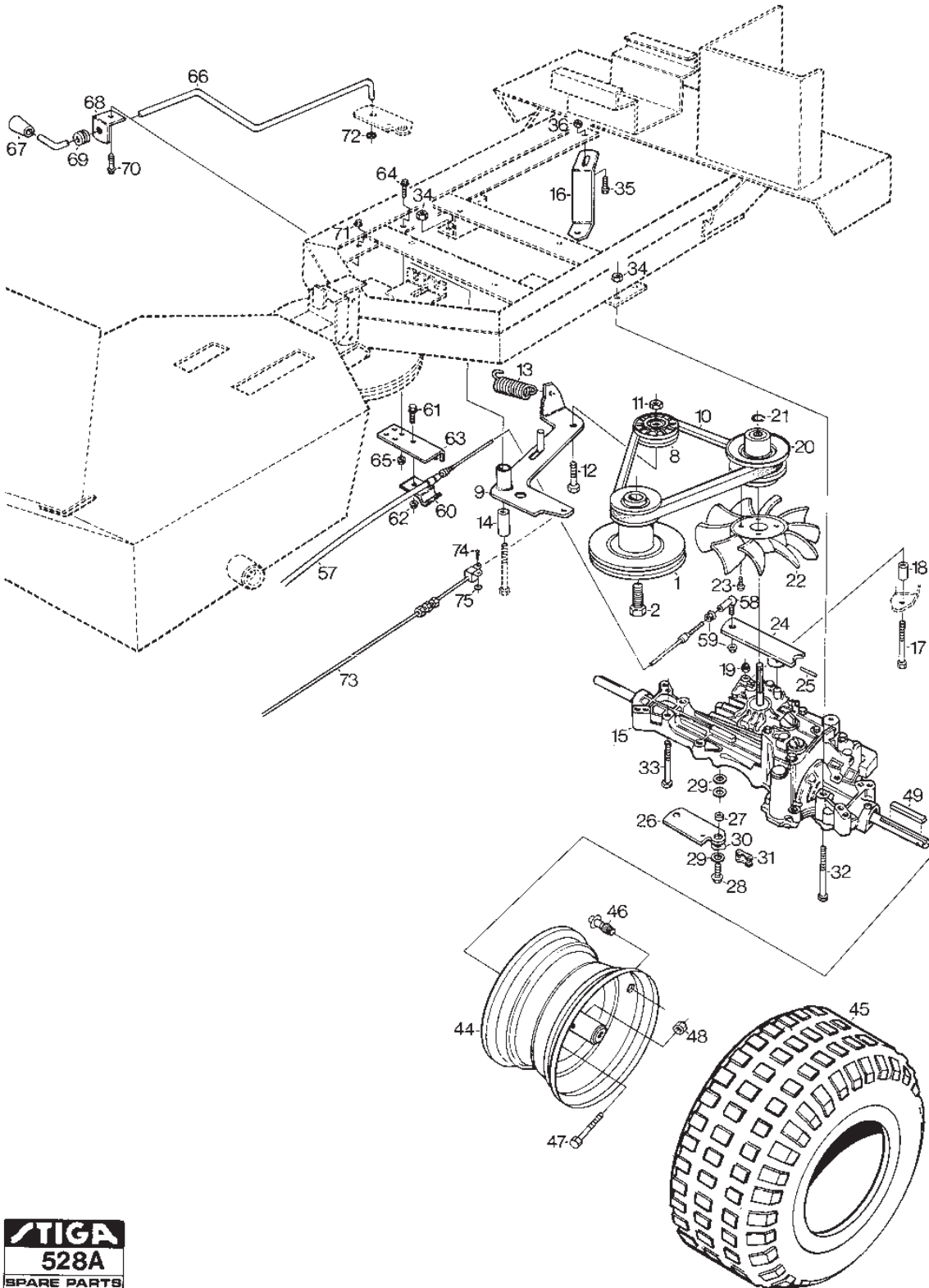
Utgåva Issue 41 - 2014		Kraftuttagsbroms		Pto-Brake	
Pos. Fig.	Antal Quantity	Art nr Part No	Benämning	Description	Anmärkning Notes
1	1	1134-1757-07	Midjegaffel M Ledaxel 5-01 H-10	Clevis	
2	1	1134-2518-01	Konsol	Console	
3	1	1134-0245-00	Skruv	Screw	
4	1	9739-0831-22	Mutter	Nut	
5	1	1134-2522-01	Pivotplatta	Plate	
6	1	1134-2520-02	Stag	Stay	
7	1	1134-2663-01	Fjäder	Spring	
8	1	1134-2529-01	Fjäder	Spring	
9	5	9699-0025-02	Bricka	Washer	
10	3	9595-0110-00	Spiralspnst Prym N 2*10	Locating Pin	
11	1	9595-0153-00	Spiralspännstift N3*12	Locating Pin	
12	1	1134-2524-01	Broms	Brake	
15	2	9959-0612-16	Skruv	Screw	
16	2	9739-0631-22	Mutter Strålkastare	Nut Working lamp	
17	1	9675-0009-02	Starlockbricka	Starlock	
18	1	1134-2521-01	Axel	Shaft	
19	2	9675-0009-02	Starlockbricka	Starlock	
20	1	1134-3633-01	Fjäder	Spring	
21	1	1134-2519-03	Stag	Stay	
22	1	9570-0004-00	Vinkellänk As 10 Din71802M6	Elbow Link	
23	1	9799-0631-02	Mutter	Nut	
27	1	1134-1396-02	Spak	Lever	1442,1443,1446
27	1	1134-0027-01	Reglagespak	Control Lever	1168,1358,1458



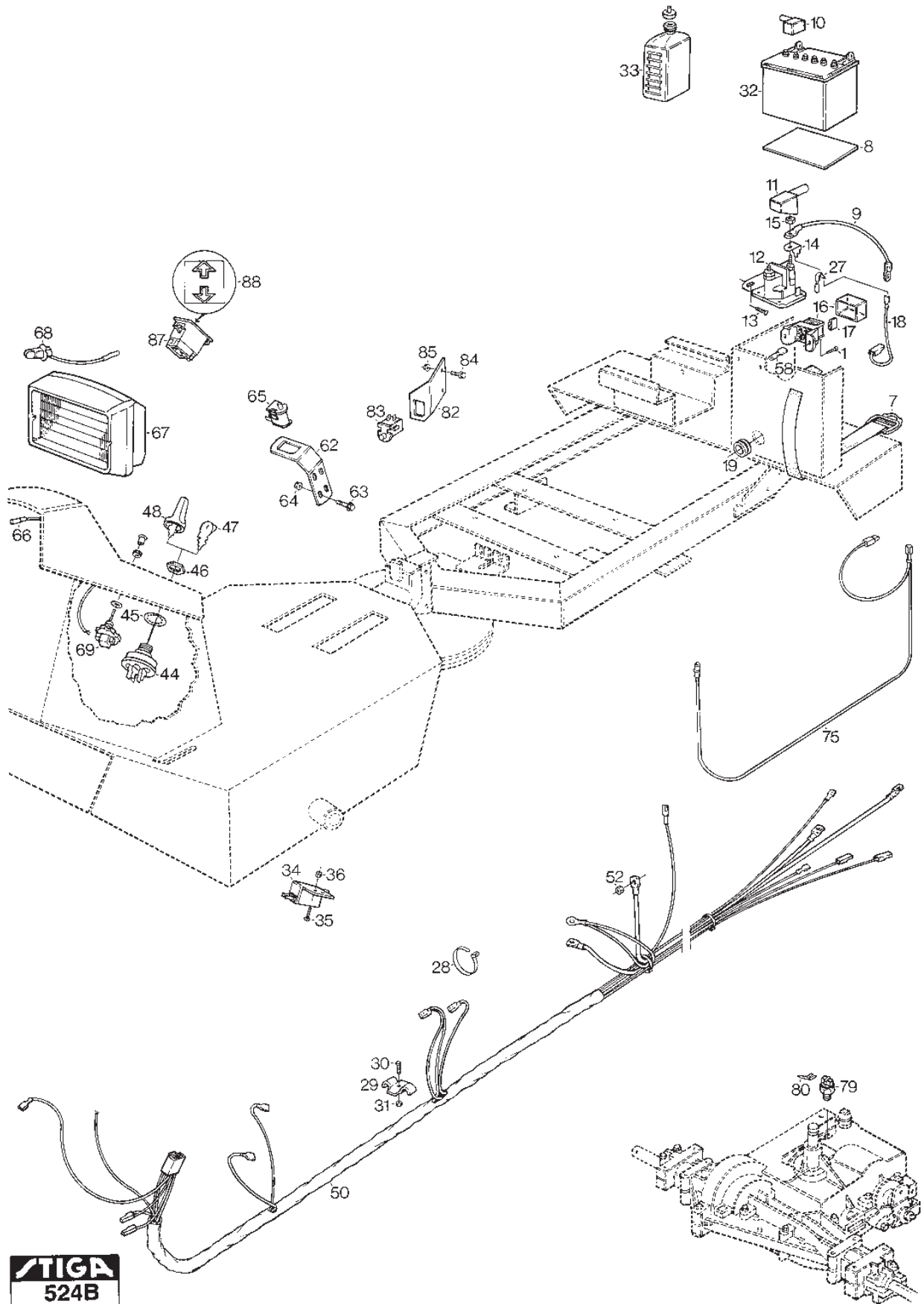
Utgåva Issue 41 - 2014		Drivpedal Farthållare		Drivpedal Farthållare	
Pos. Fig.	Antal Quantity	Art nr Part No	Benämning	Description	Anmärkning Notes
1	1	1134-2754-01	Halkskydd	Slip Protection	-960415
2	1	1134-3706-01	Pedal	Pedal	960416-
2	1	1134-2739-01	Pedal	Pedal	-960415
3	1	1134-2849-01	Slang	Rubber Hose (30 Mm)	960416-
3	1	1134-2849-03	Slang	Rubber Hose (60 Mm)	960416-
3	1	1134-1643-01	Gummislang	Rubberhose	-960415
3	1	1134-2849-02	Slang	Rubber Hose (30 Mm)	-960415
4	2	1134-2780-01	Lager	Bearing	
5	2	1134-2700-01	Fäste	Bracket	
6	2	9959-0820-16	Skruv	Screw	
7	5	9739-0831-22	Mutter	Nut	
8	1	1134-3704-01	Konsol 5-01 24	1134-3997-01+1134-4010-01	960416-
8	1	1134-2703-01	Arm Kpl.	Arm	-960415
9	2	9997-0520-16	Skruv	Screw	960416-
10	2	9739-0531-22	Mutter	Nut	960416-
12	1	1134-2766-02	Fartreglagewire	Speed Control Wire	
12	1	1134-2766-03	Reglagevajer	Speed Control Wire	
14	1	9595-0235-00	Spännstift	Pin	-960415
17	1	1134-2030-11	Kopplingswire	Clutch Cable	
17	1	1134-3584-01	Wire	Wire	
18	1	1134-2991-01	Skruvögla	Eye Bolt	
19	1	1131-1506-00	Fjäder	Spring	
20	1	9747-0531-02	Mutter	Nut	
23	1	1134-3450-01	Bromspedal (vä sida)	Brake pedal (L. H.)	
24	1	1134-9024-01	Lager (4 St)	Bearing	
25	1	1134-0269-00	Pedalgummi	Pedal Rubber	
35	1	1134-0266-00	Fästbygel	Attaching Clamp	
37	2	9997-0520-16	Skruv	Screw	
52	1	9570-0001-00	Vinkellänk As8 Din 71802M5	Elbow Link	
81	1	9997-0870-16	Skruv	Screw	
103	1	9959-0816-16	Skruv	Screw	
108	5	9739-0531-22	Mutter	Nut	
113	1	1134-0267-00	Underläggsbleck	Clamp Plate	
117	1	1134-2859-01	Magnet	Magneto	
118	1	1134-2858-01	Fjäder	Spring	
119	1	1134-2862-01	Arm Kpl.	Lever	
121	1	1134-2866-02	Plåt	Plate	
124	1	1134-2871-01	Relä Relä	Relay	



Utgåva Issue 41 - 2014		Transmission			
Pos. Fig.	Antal Quantity	Art nr Part No	Benämning	Description	Anmärkning Notes
1	1	1134-2020-01	Motorremskiva	Engine Pulley	
2	1	9987-5338-12	Skruv	Screw	
8	1	1134-9027-01	Spännrulle (Svart)	Tension Roller (Black)	
9	1	1134-2015-03	Spännarm	Tension Arm	
10	1	1134-9036-01	Kilrem	V-Belt	=9585-0083-00
11	1	9799-1031-02	Mutter	Nut	
12	1	9997-1030-16	Skruv	Screw	
13	1	1134-0645-00	Fjäder	Spring	
14	1	1134-1565-01	Distans	Spacer	
15	1	1134-3364-01	Hydrostat Trans (K55)	Transaxle	Kanzaki K55B
16	1	1134-3401-01	Svärd	Bar	
17	1	9997-0860-16	Skruv	Screw	
18	1	1134-0041-02	Bussning	Bushing	
19	1	9747-0831-02	Mutter Låsmutter	Nut	
20	1	1134-3407-01	Remskiva	Belt Pulley	
21	1	9650-0015-04	Låsring	CLock ring	
22	1	1134-3552-01	Fläkt	Fan	
23	4	9959-0612-16	Skruv	Screw	
24	1	1134-3409-01	ReglaVäxelm Kpl.	Control Lever	
25	1	9595-0258-00	Spännstift	Locating Pin	
26	1	1134-3414-01	Arm	Lever	
27	1	1134-2427-02	Distans	Spacer	
28	1	9942-0830-16	Skruv	Screw	
29	3	9699-0056-02	Bricka	Washer	
30	1	9696-0013-01	Bricka	Washer	
31	1	1134-3413-01	Kedjelås	Chain Lock	
32	2	9997-0875-12	Skruv	Screw	75 mm
33	2	9997-0870-16	Skruv	Screw	70 mm
34	4	9747-0831-02	Mutter Låsmutter	Nut	
35	1	9959-0820-16	Skruv	Screw	
36	1	9747-0831-02	Mutter Låsmutter	Nut	
44	2	1134-3175-01	Fälg-bak	Rim-rear	
45	2	9545-0116-00	Däck	Tyre	16 x 7.50-8
45	2	9545-0120-00	Däck	Tyre	16 x 7.50-8
46	2	9545-0500-00	Ventil	Valve Assy.	
47	2	9997-0840-16	Skruv	Screw	
48	2	9747-0831-02	Mutter Låsmutter	Nut	
49	2	1134-2471-01	Kil	Key	
57	1	1134-2766-03	Reglagevajer	Speed Control Wire	
58	1	9570-0001-00	Vinkellänk As8 Din 71802M5	Elbow Link	
59	2	9739-0531-22	Mutter	Nut	
60	1	1134-2021-01	Växelwirefäste	Clamp	
61	1	9959-0816-16	Skruv	Screw	
62	1	9739-0831-22	Mutter	Nut	
63	1	1134-3400-01	Vinkelarm 5-01 24	Angle Plate	
64	2	9959-0820-16	Skruv	Screw	
65	2	9739-0831-22	Mutter	Nut	
66	1	1134-3415-01	Reglagestång	Control Rod	
67	1	1134-2786-01	Knopp	Knob	

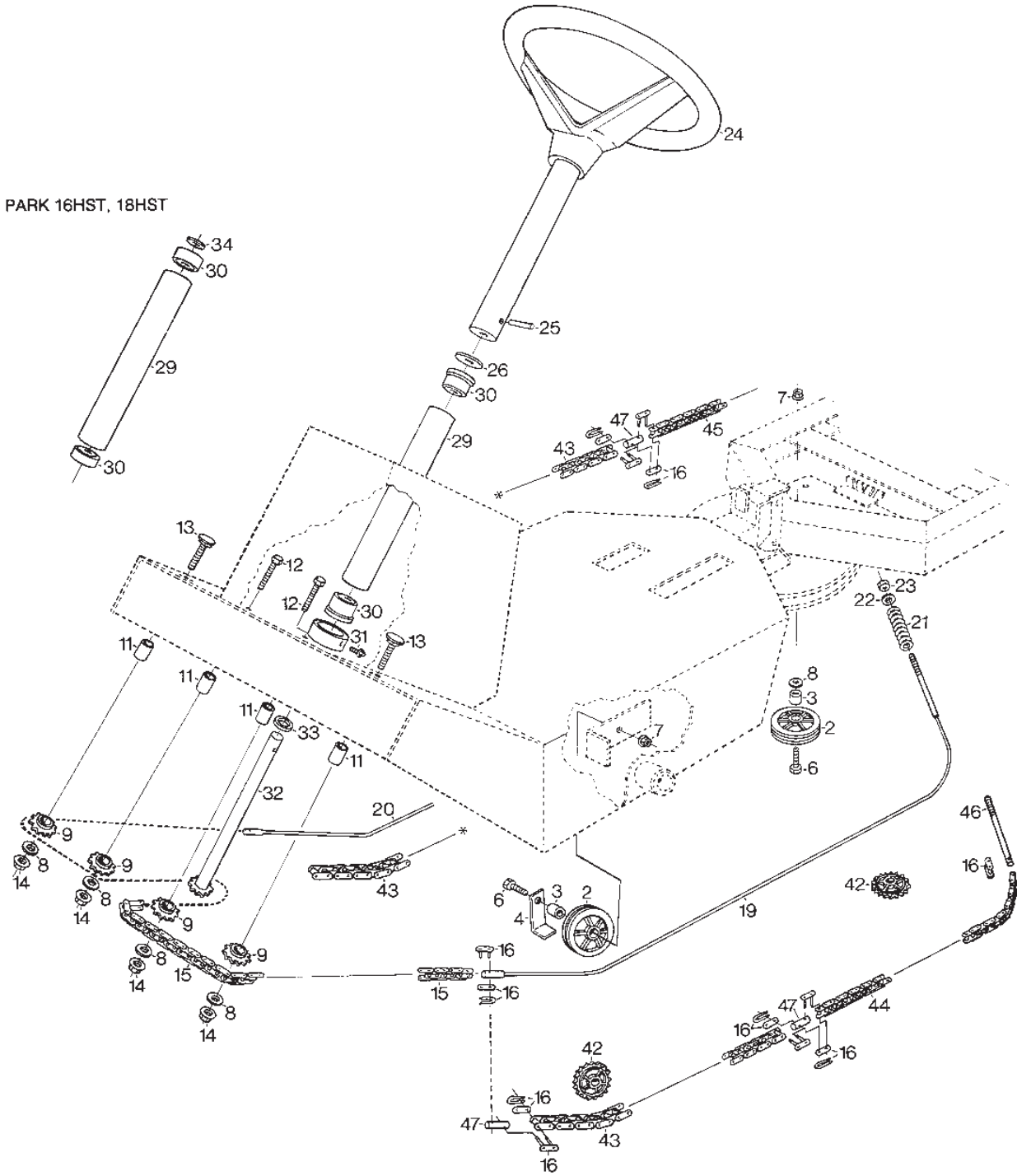


Utgåva Issue 41 - 2014		Transmission			
Pos. Fig.	Antal Quantity	Art nr Part No	Benämning	Description	Anmärkning Notes
68	1	1134-2789-01	Fäste	Bracket	
69	1	1134-2790-01	Kabelgenomföring	Cable Protection	
70	1	9959-0816-16	Skruv	Screw	
71	1	9739-0831-22	Mutter	Nut	
72	1	9675-0012-02	Starlock	Locking washer	
73	1	1134-2030-11	Kopplingswire	Clutch Cable	
74	1	9646-0036-22	Nit Kn 5X12	Rivet	
75	1	9675-0008-02	Starlockbricka	Starlock	



STIGA
524B
SPARE PARTS

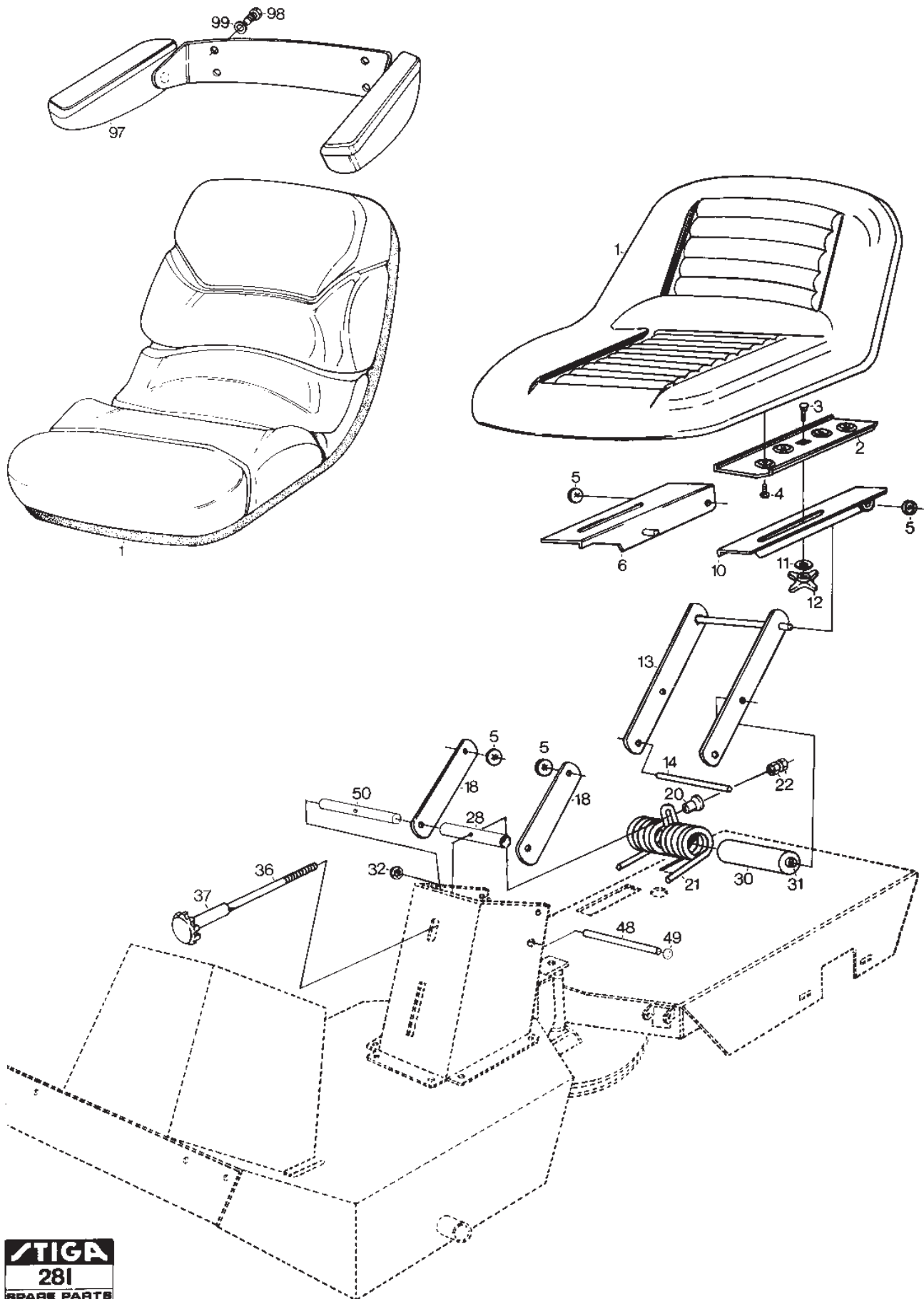
Utgåva Issue 41 - 2014		Esystem Electrical System			
Pos. Fig.	Antal Quantity	Art nr Part No	Benämning	Description	Anmärkning Notes
1	2	9849-8009-16	Skruv	Screw	
7	1	9400-0064-02	Batterihållare	Battery Holder	
8	1	1134-2333-02	Batteriunderlägg	Battery Pad	
9	1	1134-0234-01	Batterikabel (+)	Battery Cable (+)	
10	1	1134-2310-01	Batteriskydd	Guard Cap (+)	
11	1	1134-2948-01	Skyddshätta	Guard Cap	
12	1	1134-2962-01	Solenoid Kpl Service	Solenoid	Inkl. pos 14-15
13	2	9849-8009-16	Skruv	Screw	
14	1	1134-2947-01	Stift	Cable Connection	
15	2	9794-5131-02	Mutter	Nut	
16	1	1134-3491-01	Säkringshållare	Fuse Holder	
16	1	1134-3631-01	Lock (5-01)	Cover-Fuse Holder	
17	2	1134-3496-01	Säkring Säkring 10A Röd	Fuse Fuse (10A)	10A
18	1	1134-3497-01	Kabel	Cable	
19	1	1134-3203-05	Kabelgenomföring	Grommet	
27	1	9400-0170-00	Flatst.Hylsa A2507 Flh-1	Cable Connection	
28	8	9579-0003-00	Kablage Bunband Buntband	Cable harness Cable Cable Holder	
29	1	1134-2782-01	Låsbleck	Clamp	
30	1	9997-0520-16	Skruv	Screw	
31	1	9739-0531-22	Mutter	Nut	
32	1	1134-2892-01	Batteri	Battery	
33	1	1134-3300-01	Batterisyra	Battery Acid	2 x 0.85 liter
34	1	1134-3399-02	Brytare	Switch	
35	2	9997-0520-16	Skruv	Screw	
36	2	9747-0531-02	Mutter	Nut	
44	1	1134-1814-01	Tändningslås Kpl Service	Starter Switch Assy.	
45	1	1134-2853-01	Bricka	Washer	
46	1	1134-2852-01	Mutter	Nut	
47	1	1134-2848-01	Tändningsnyckel	Ignition Key	
48	1	1134-3368-01	Tändningsnyckel	Ignition Key	
50	1	1134-3492-01	Kablage	Harness	1443
50	1	1134-3489-01	Kabelhärva	Cable Harness	1358
52	1	9795-3531-02	Mutter	Nut	
58	1	9400-0238-00	Flatstiftshylsa A1507Fls	Cable Connection	
66	1	1134-3082-01	Elkabel	Cable	
67	1	1134-1466-01	Strålkastare Kpl	Headlamp Assy.	
68	1	9400-0075-00	Glödlampa 12336H3 12	Glow Lamp	
69	1	9400-0063-00	Brytare	Switch	
82	1	1134-3551-01	Brytarfäste	Attachment	1442,1443,1446
83	1	1134-3156-01	Brytare	Switch	1442,1443,1446
84	2	9959-0612-16	Skruv	Screw	1443
85	2	9739-0631-22	Mutter Strålkastare	Nut Working lamp	1442,1443,1446



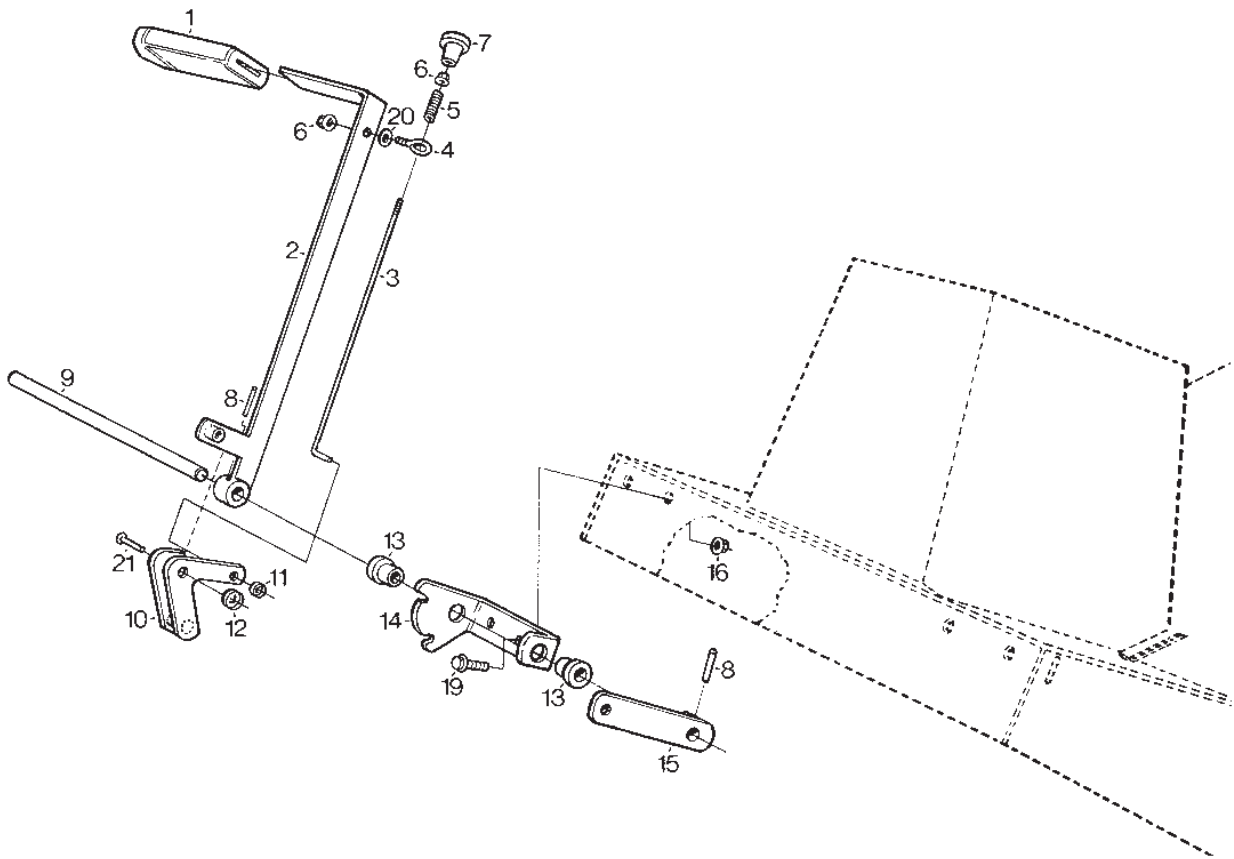
PARK 16HST, 18HST



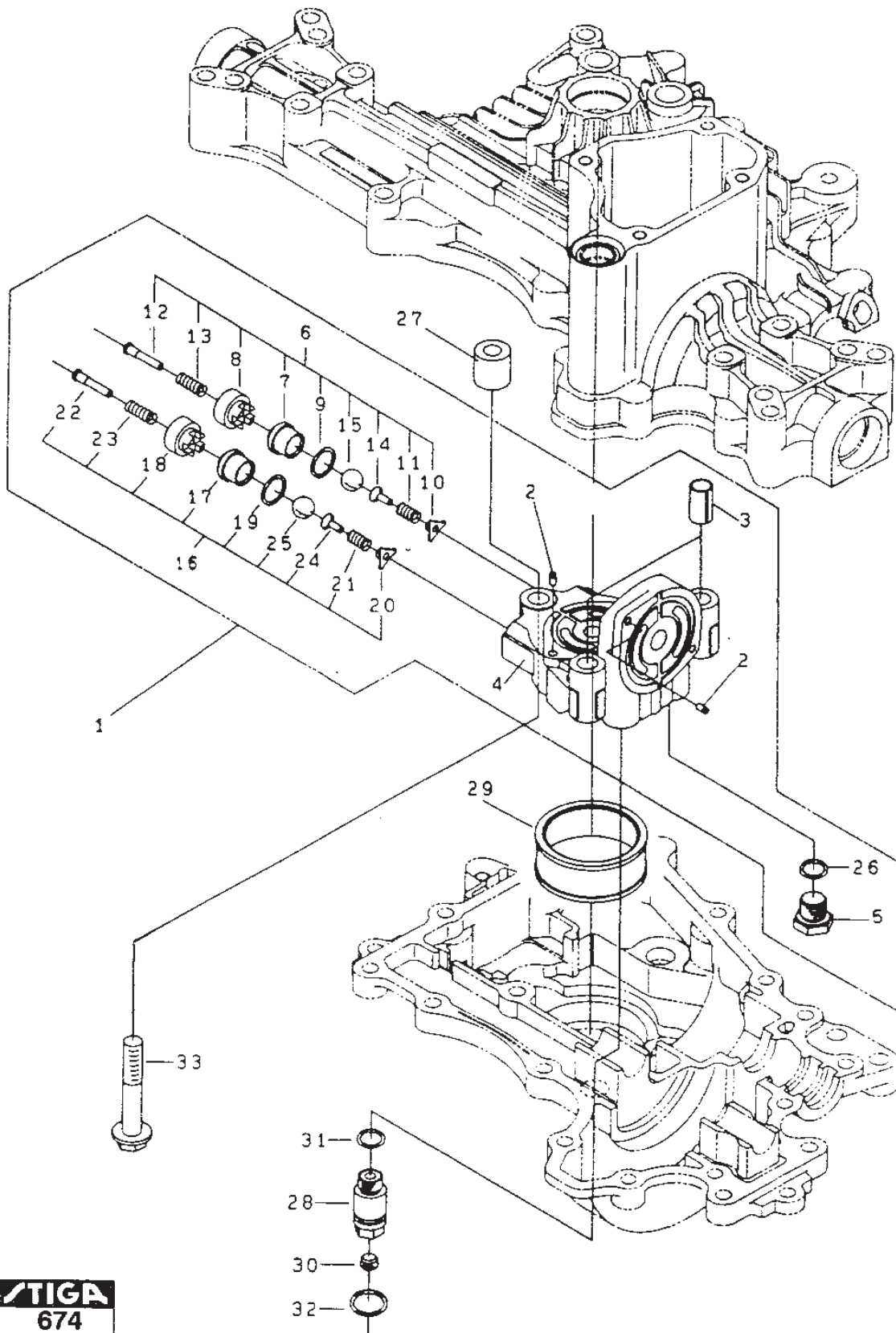
Utgåva Issue 41 - 2014		Styrning Steering			
Pos. Fig.	Antal Quantity	Art nr Part No	Benämning	Description	Anmärkning Notes
2	2	1134-9025-01	Linhjul	Steering Pulley	Innehåller/contains 2
3	3	1134-0041-01	Bussning	Bushing	
4	2	1134-3022-01	Fäste	Bracket	
6	3	9997-1030-16	Skruv	Screw	
7	3	9739-1031-22	Mutter	Nut	
8	5	9699-0035-02	Bricka	Washer	
9	4	1134-2816-01	Kedjehjul	Sprocket	
11	4	1134-0041-02	Bussning	Bushing	
12	2	9997-1040-12	Skruv	Screw	
13	2	9897-1040-12	Skruv	Screw	
14	4	9739-1031-22	Mutter	Nut	
15	1	1134-2820-01	Kedja79 Länkar	Chain W/O Lock	79 länk/links
16	2	1134-2824-01	Kedjelås	Chain Lock	
19	1	1134-2817-01	Styrwire	Steering Cable Left	L = 939 mm
20	1	1134-2817-02	Styrwire	Steering Cable,Rh	L = 990 mm
21	2	1134-2818-01	Fjäder	Spring	
21	2	1134-3817-01	Fjäder	Spring	
22	2	9699-0090-02	Bricka	Washer	
23	2	9747-0831-02	Mutter Låsmutter	Nut	
24	1	1134-1966-03	Ratt	Steering Wheel	
25	1	9595-0262-00	Spännstift	Locating Pin	
26	1	9699-0114-02	Bricka	Washer	1.0 mm
26	1	9699-0103-02	Bricka	Washer	0.5 mm
29	1	1134-1305-03	Rattrör Nedre	Steering Column,Lower	
30	2	1134-1901-01	Lager	Bearing	
31	2	9942-0612-16	Skruv	Screw	
32	1	1134-2821-01	Rattstång	Steering Rod	
33	1	1134-2837-01	Distans	Spacer	



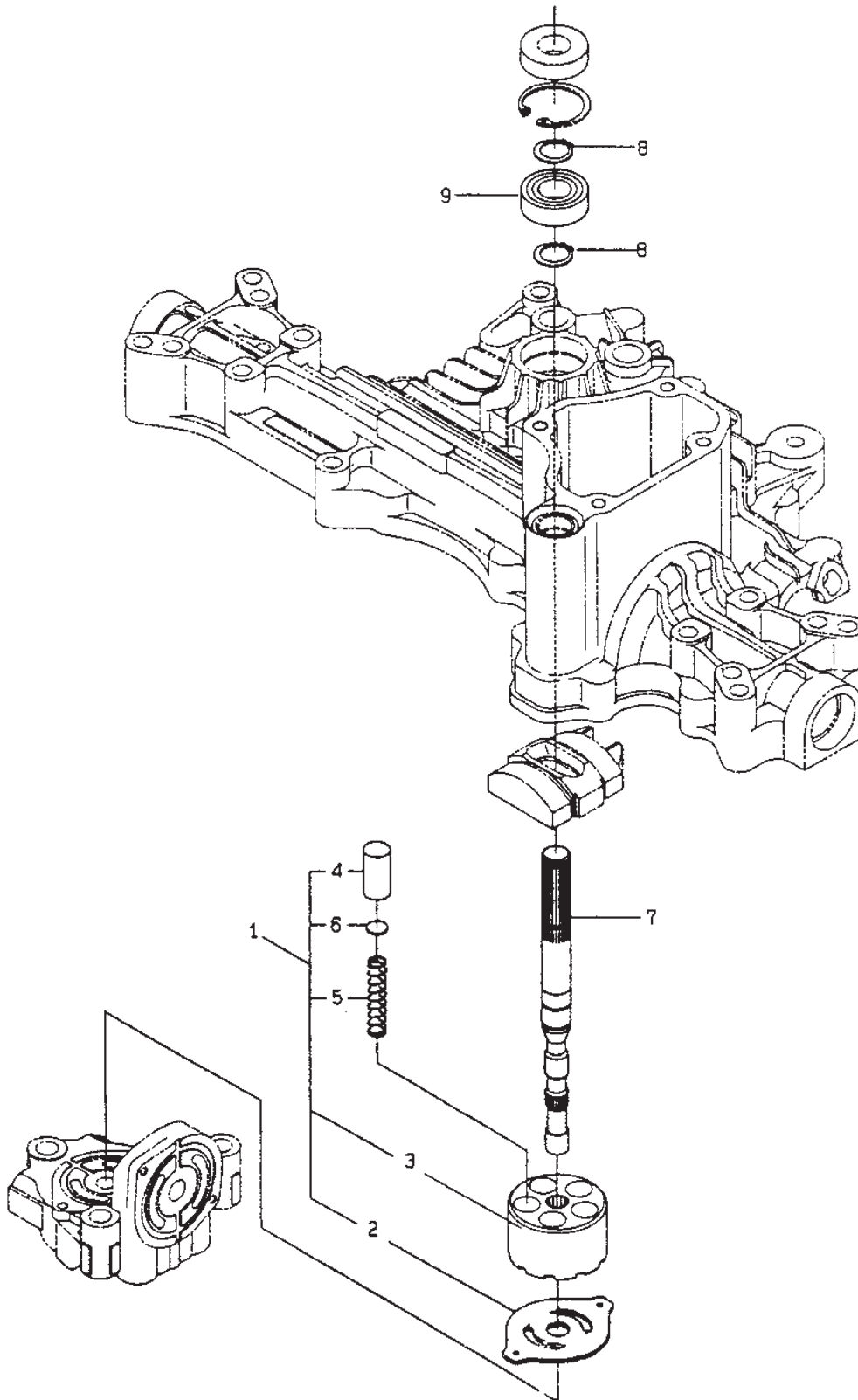
Utgåva Issue 41 - 2014		Sits Seat			
Pos. Fig.	Antal Quantity	Art nr Part No	Benämning	Description	Anmärkning Notes
1	1	1134-2541-01	Sits Suburban Sa 10314	Seat	1168,1171,1172,1446
1	1	1134-2541-01	Sits Suburban Sa 10314	Seat	
2	2	1134-2961-01	Sitsadapter 5-01 24	Seat Adapter	
3	2	9898-0820-16	Skruv	Screw	
4	4	9988-3616-16	Skruv	Screw	
5	4	9675-0017-02	Låsbricka	Starlock	
6	1	1134-3618-01	Sitsfäste Kpl. 5-01 14	Seat Attachment-R.H.	
10	1	1134-3618-02	Sitsfäste Kpl. 5-01 14	Seat Attachment-L.H.	
11	2	9699-0062-02	Bricka	Washer	
12	2	1134-1711-01	Knopp	Knob	
13	1	1134-1652-01	Fjäder	Spring	
14	1	1134-0050-00	Sitsstång	Seat Rod	
18	2	1134-1650-01	Parallellstag5-01 F24	Tie Bar	
20	1	1134-0493-00	Mutter	Nut	
21	1	1134-0015-00	Sitsfjäder	Seat spring	
22	2	9799-0831-02	Mutter	Nut	
28	1	1134-2846-01	Rör	Tube	
30	1	1134-1883-01	Axel	Axle	
31	1	1134-0022-00	Reglagestång	Control Rod	
32	2	9672-0004-02			
36	1	1134-2163-01	Spännstång Kpl.	Rod	
37	1	1134-2166-01	Distans	Spacer	
48	1	1134-2454-01	Axel	Shaft	
49	2	9672-0006-02	Starlock	Lock washer	
50	1	1134-2847-01	Mellanstag	Shaft	



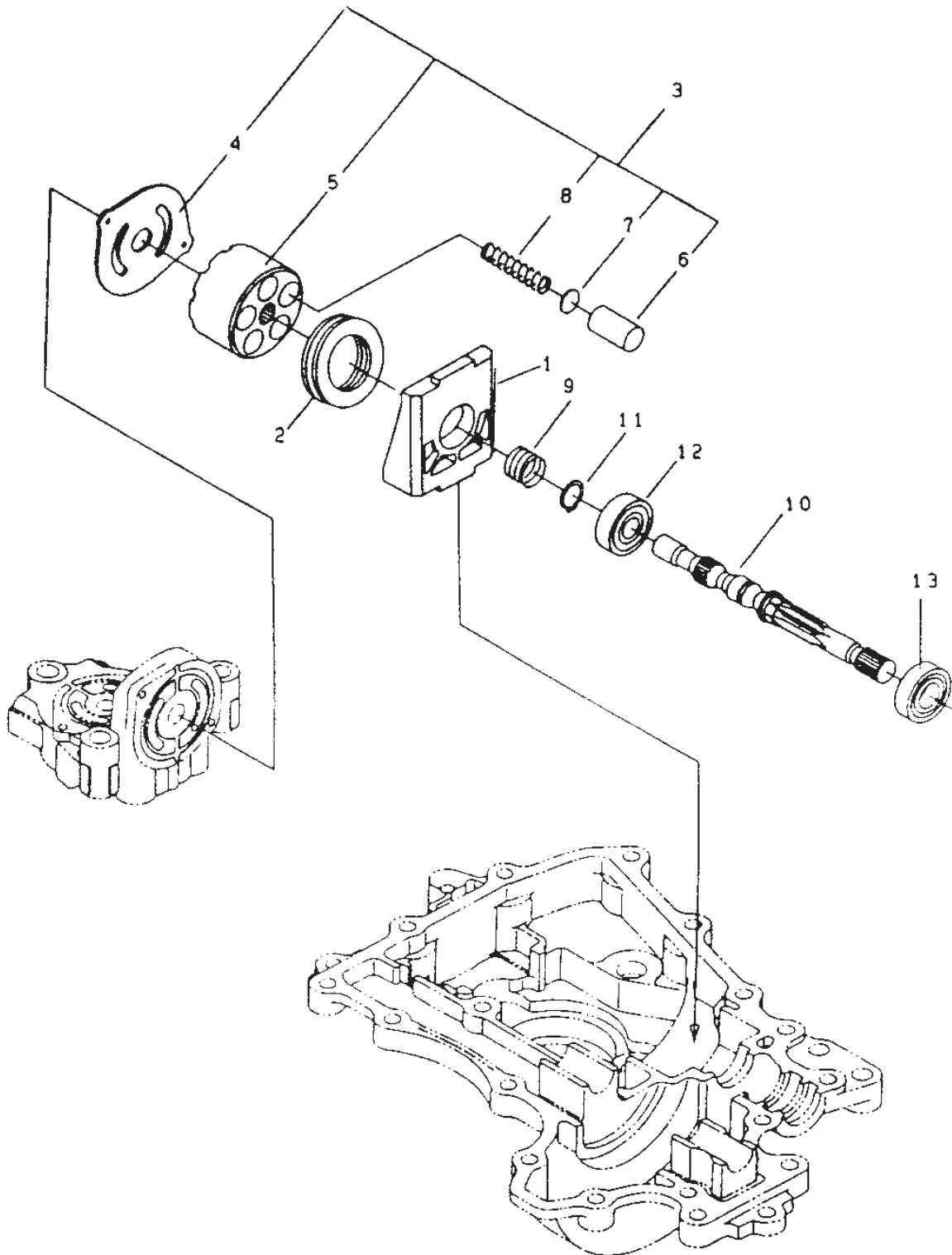
Utgåva Issue 41 - 2014		Redskapslyft Lifting Device			
Pos. Fig.	Antal Quantity	Art nr Part No	Benämning	Description	Anmärkning Notes
999	1	1134-0410-08	röds kapslyft Smstpark	Lifting Device Assy	



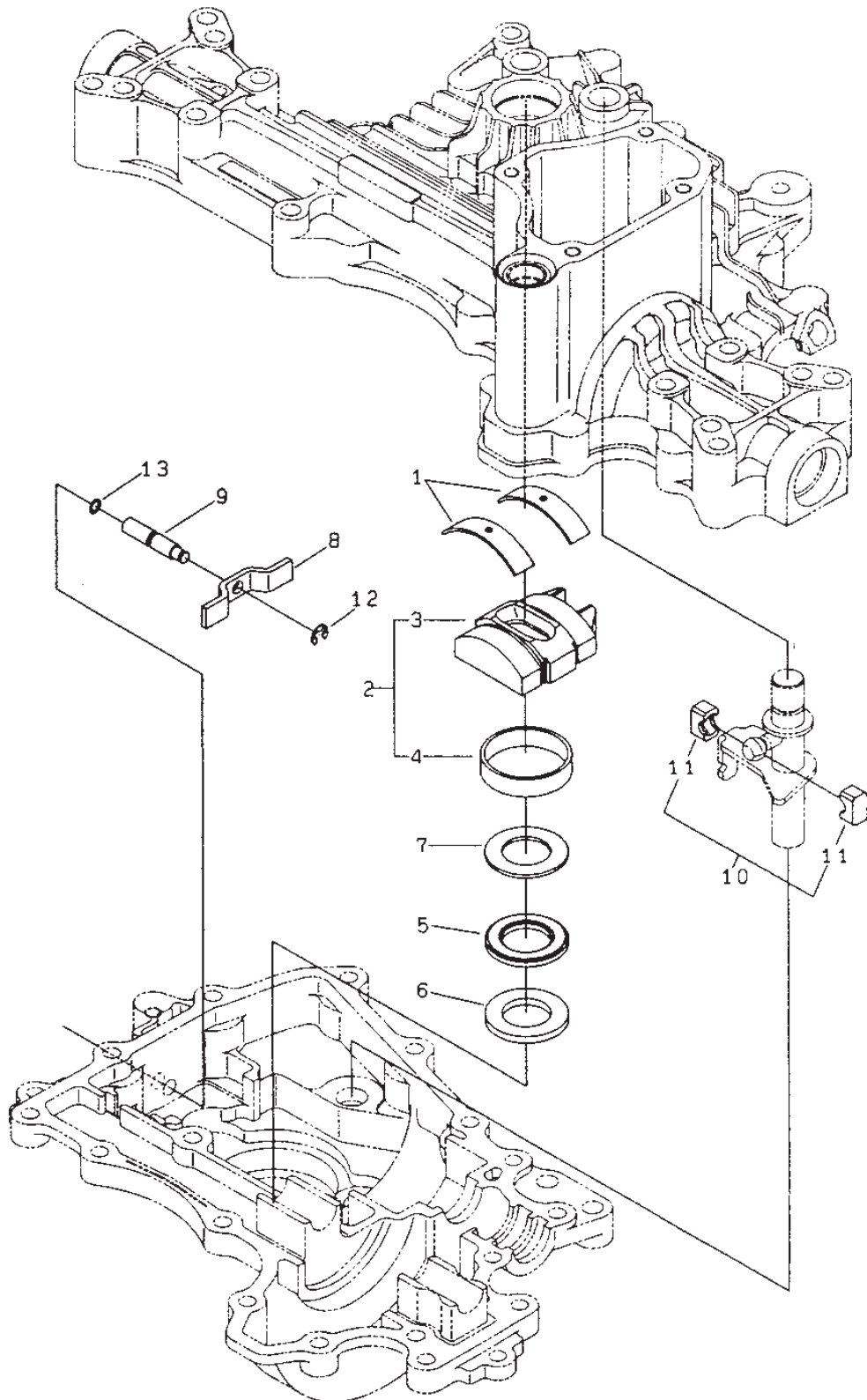
Utgåva Issue 41 - 2014		Kanzaki Transaxel K-55B Centrumhus		Kanzaki Transaxle K-55B Center Case	
Pos. Fig.	Antal Quantity	Art nr Part No	Benämning	Description	Anmärkning Notes
1	1	1139-1098-01	Centrumhus Kpl	Center Case Assy	Inkl. pos 2-6, 16, 26
2	4	1139-1058-01	Stift	Knock Pin	
3	2	1139-1008-01	Stift	Knock Pin	
5	1	1139-1010-01	Plugg	Plug	
6	1	1139-1059-01	Ventil Kpl	Valve Set	Inkl. pos 7-15
9	1	1139-1013-01	O-Ring	O-Ring	
16	1	1139-1060-01	Ventil Kpl	Valve Set	Inkl. pos 17-25
19	1	1139-1013-01	O-Ring	O-Ring	
26	1	1139-1113-01	O-Ring	O-Ring	
27	1	1139-1061-01	Distans 10*20*20	Collar 10*20*20	
28	1	1139-1062-01	Anslutning	Connector	
29	1	1139-1063-01	Filter	Filter	
30	1	1139-1107-01	Plugg	Plug	
31	1	1139-1113-01	O-Ring	O-Ring	
32	1	1139-1115-01	O-Ring	O-Ring	
33	3	1139-1125-01	Bult	Bolt	



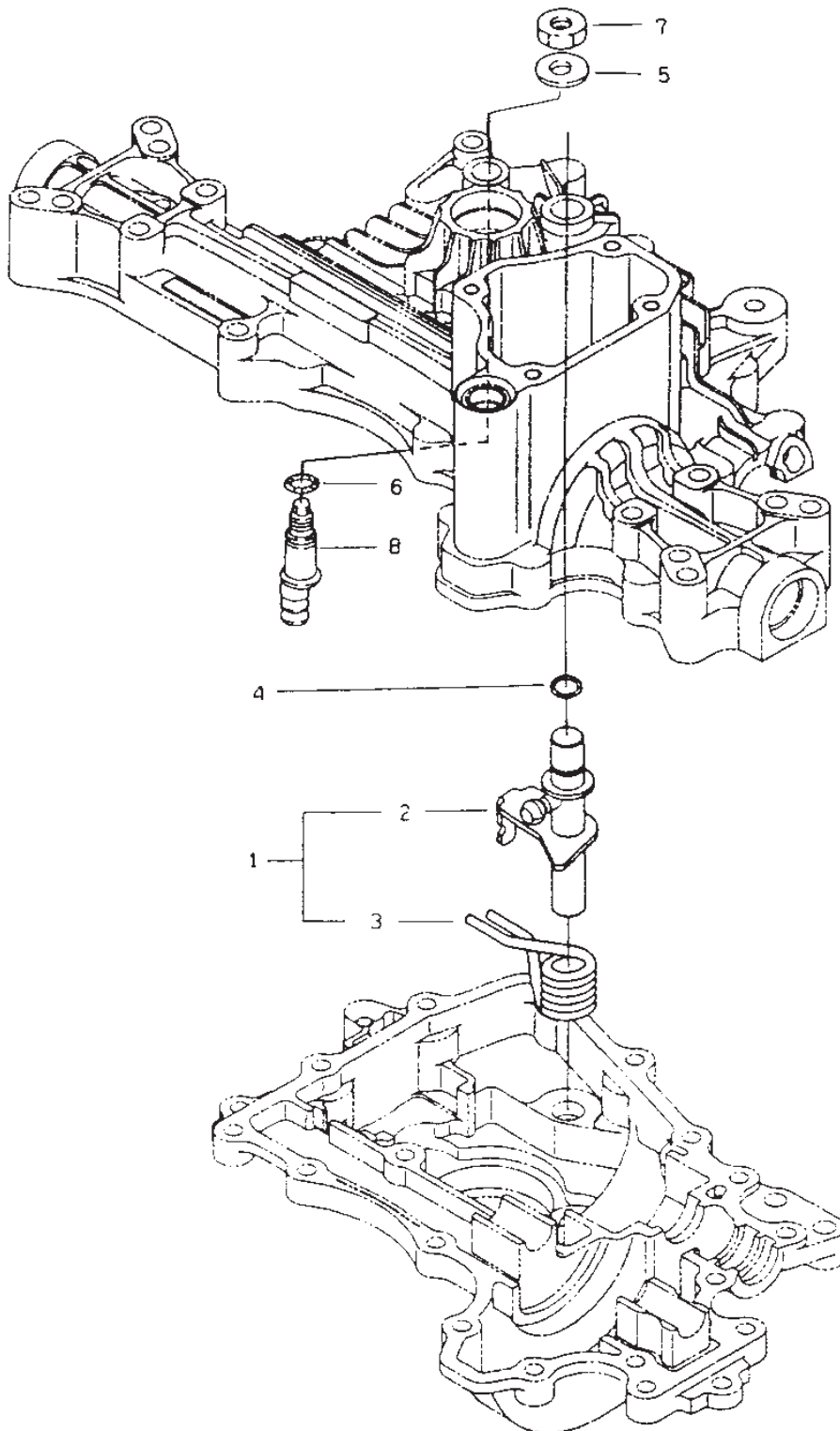
Utgåva Issue 41 - 2014		Kanzaki Transaxel K-55B Pumpaxel		Kanzaki Transaxle K-55B Pump Shaft	
Pos. Fig.	Antal Quantity	Art nr Part No	Benämning	Description	Anmärkning Notes
1	1	1139-1099-01	Cylinder Block Kpl	Cylinder Block Assy	Inkl. pos 2-6
7	1	1139-1065-01	Pumpaxel	Pump Shaft	
8	2	1139-1021-01	Låsring	Snap Ring	
9	1	1139-1110-01	Kullager	Ball Bearing	



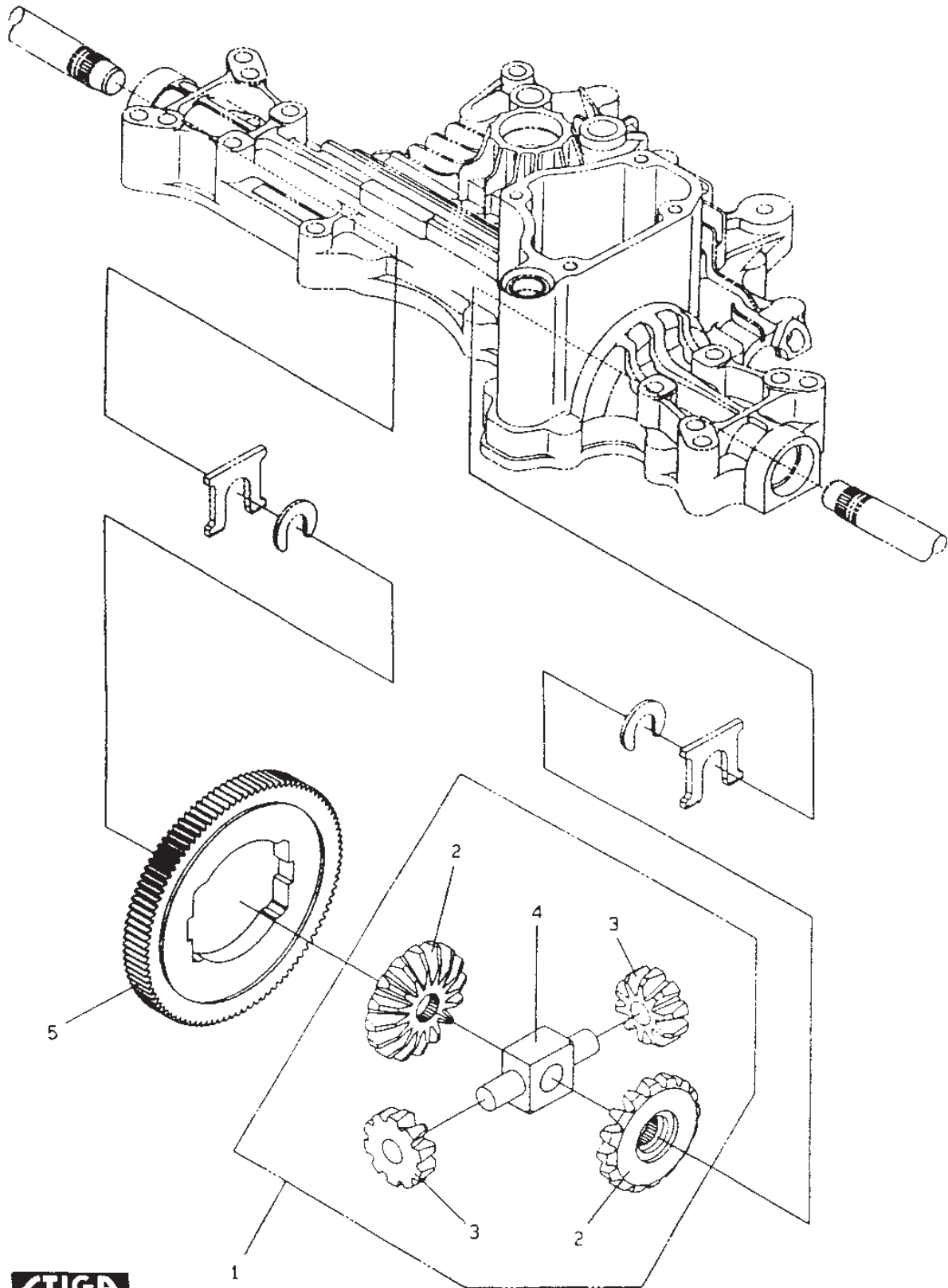
Utgåva Issue 41 - 2014		Kanzaki Transaxel K-55B Motoraxel		Kanzaki Transaxle K-55B Motor Shaft	
Pos. Fig.	Antal Quantity	Art nr Part No	Benämning	Description	Anmärkning Notes
1	1	1139-1053-01	Hus	Housing	
2	1	1139-1054-01	Lager	Bearing	
3	1	1139-1064-01	Cylinder block assy	Cylinder block assy	Inkl. pos 4-8
9	1	1139-1018-01	Fjäder	Spring	
10	1	1139-1092-01	Axel	Motor shaft	
11	1	1139-1021-01	Låsring	Snap Ring	
12	1	1139-1108-01	Kullager	Ball Bearing	
13	1	1139-1109-01	Kullager	Ball Bearing	



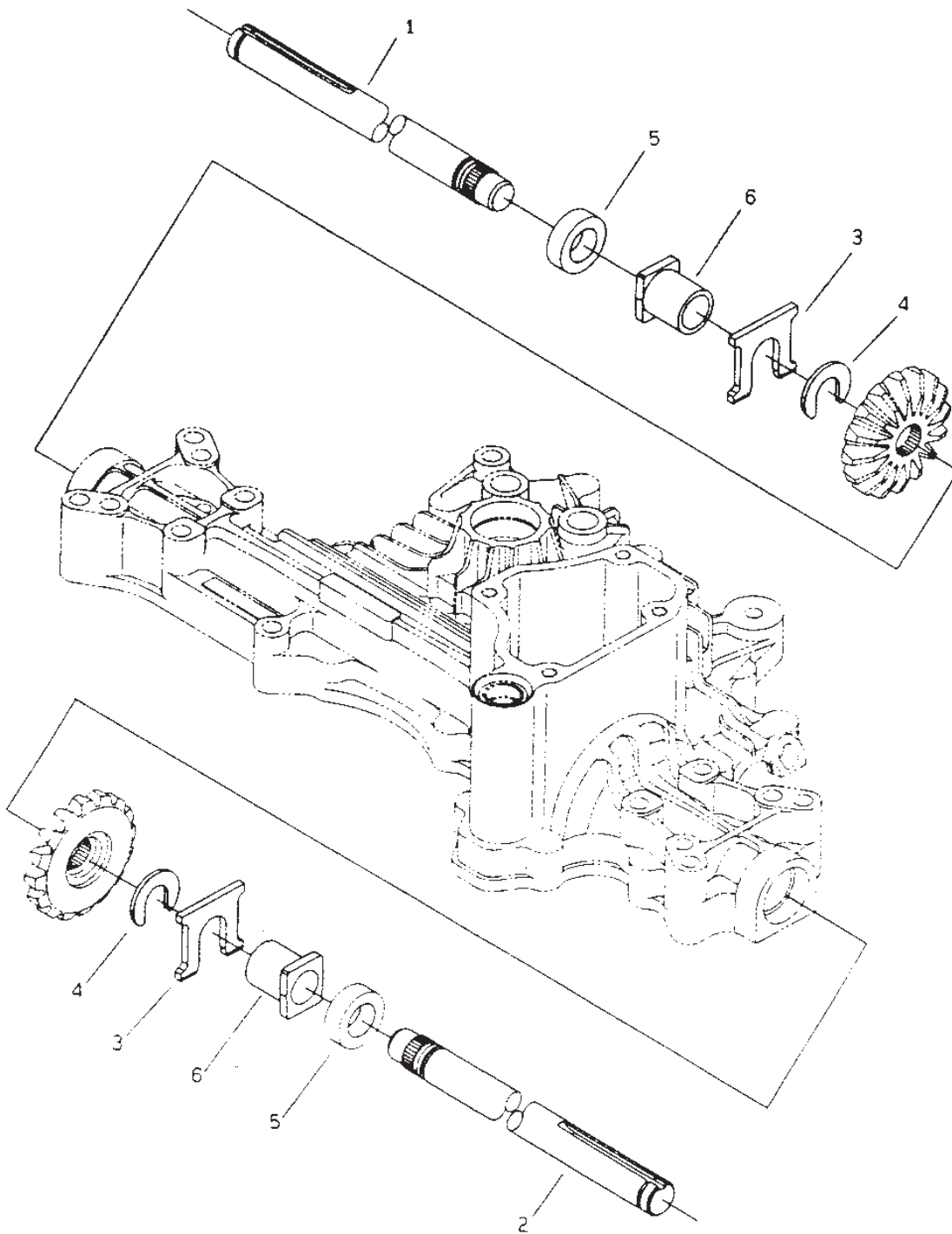
Utgåva Issue 41 - 2014		Kanzaki Transaxel K-55B Riktningväljare		Kanzaki Transaxle K-55B Range Shift	
Pos. Fig.	Antal Quantity	Art nr Part No	Benämning	Description	Anmärkning Notes
1	2	1139-1066-01	Tryckplatta	Use 1139-1141-01	
2	1	1139-1067-01	Stänkplatta Kpl	Swash Plate Assy	Inkl. pos 3-4
5	1	1139-1068-01	Lager	Bearing	
6	1	1139-1069-01	Tryckplatta	Thrust Plate	
7	1	1139-1070-01	Tryckplatta	Thrust Plate	
8	1	1139-1071-01	Arm By-Pass	C-Arm By-Pass	
9	1	1139-1072-01	TryckSprint	Push Pin	
10	1	1139-1030-01	Block Sats	Block Set	Inkl. pos 11
12	1	1139-1105-01	Låsring	Snap Ring	
13	1	1139-1111-01	O-Ring	O-Ring	



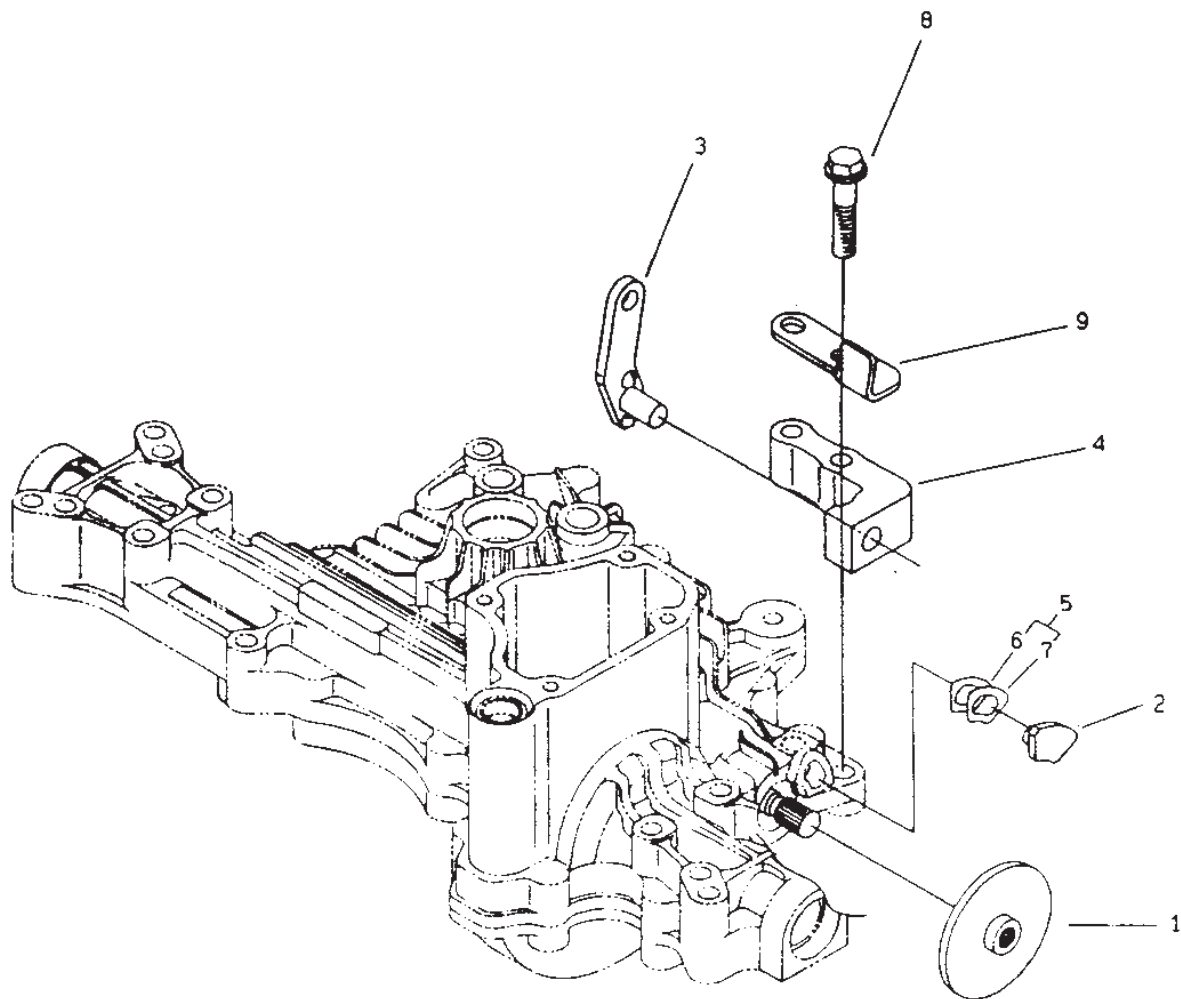
Utgåva Issue 41 - 2014		Kanzaki Transaxel K-55B Regleraxel		Kanzaki Transaxle K-55B Control Shaft	
Pos. Fig.	Antal Quantity	Art nr Part No	Benämning	Description	Anmärkning Notes
1	1	1139-1094-01	Reglageaxel Kpl	Control Shaft Assy	Inkl. pos 2-3
4	1	1139-1114-01	O-Ring	O-Ring	
5	1	1139-1102-01	Bricka	Washer	
6	1	1139-1117-01	O-Ring	O-Ring	
7	1	1139-1127-01	Mutter	Nut	
8	1	1139-1032-01	Vridcentrum	Fulcrum	



Utgåva Issue 41 - 2014		Kanzaki Transaxel K-55B Differentialdrev		Kanzaki Transaxle K-55B Differential Gear	
Pos. Fig.	Antal Quantity	Art nr Part No	Benämning	Description	Anmärkning Notes
1	1	1139-1095-01	Differentialdrev sats	Differential gear kit	Inkl. pos 2-4
4	1	1139-1035-01	Drev	Shaft Diff.Pinion	
5	1	1139-1088-01	Slutdrev 97T	Final Gear 97T	



Utgåva Issue 41 - 2014		Kanzaki Transaxel K-55B Hjulaxlar		Kanzaki Transaxle K-55B Axle Shaft	
Pos. Fig.	Antal Quantity	Art nr Part No	Benämning	Description	Anmärkning Notes
1	1	1139-1075-01	Axel Vä	Axle Shaft Left	
2	1	1139-1076-01	Axel Hö	Axle Shaft Right	
3	2	1139-1078-01	Bricka	Thrust Washer	
4	2	1139-1079-01	Ring	Ring	
5	2	1139-1080-01	Tätning	Seal 19*32*8	
6	2	1139-1081-01	Bussning	Bushing	



Utgåva Issue 41 - 2014		Kanzaki Transaxel K-55B Broms		Kanzaki Transaxle K-55B Brake	
Pos. Fig.	Antal Quantity	Art nr Part No	Benämning	Description	Anmärkning Notes
1	1	1139-1082-01	Bromsskiva	Brake Disc	
2	1	1139-1083-01	Bromssko	Brake Shoe	
3	1	1139-1084-01	Bromsarm	Brake Lever	
4	1	1139-1085-01	Fäste Bromsarm	Stay Brake Lever	
5	1	1139-1086-01	Shims Sats	Shim Set	Inkl. pos 6-7
8	2	1139-1087-01	Bult	Bolt	
9	1	1139-1093-01	Bromsstopp	Brake Stopper	

code	pos.	q.ty	page									
9959-0820-16	6	2	p. 23	94621	10	2	p. 7	281164	138	1	p. 3	
9959-0820-16	23	4	p. 11	94622	13	9	p. 7	281165	137	1	p. 3	
9959-0820-16	33	1	p. 17	94623	307	1	p. 9	281166	987	1	p. 5	
9959-0820-16	35	1	p. 25	94624	22	8	p. 7	281167	634	1	p. 5	
9959-0820-16	64	2	p. 25	94625	423	2	p. 3	281168	634	1	p. 5	
9959-1020-16	33	1	p. 11	94626	78	3	p. 7	281169	106	1	p. 3	
9959-1025-16	31	1	p. 11	94627	728	2	p. 5	291675	20	1	p. 7	
9959-1025-16	45	1	p. 17	94637	53	2	p. 3	292260	41	1	p. 7	
9987-5338-12	2	1	p. 25	94642	955	1	p. 5	298090	240	1	p. 3	
9987-5338-12	56	1	p. 17	210940	870	1	p. 9	298909	759	1	p. 9	
9988-3616-16	4	4	p. 33	212359	757	1	p. 9	299691	28	1	p. 7	
9988-3651-12	8	2	p. 15	212897	46	1	p. 7	390837	544	1	p. 3	
9997-0520-16	9	2	p. 23	213316	870	1	p. 9	391086	3	1	p. 7	
9997-0520-16	30	1	p. 29	213819	164	1	p. 3	391406	8	1	p. 7	
9997-0520-16	35	2	p. 29	221535	265	1	p. 7	391780	26	1	p. 7	
9997-0520-16	37	2	p. 23	221596	40	1	p. 7	392134	726	1	p. 5	
9997-0670-12	66	1	p. 13	221798	851	1	p. 5	393362	878	1	p. 5	
9997-0812-02	40	1	p. 15	222299	31	1	p. 7	393456	877	1	p. 5	
9997-0840-16	1	3	p. 15	222450	230	1	p. 7	393474	474	1	p. 3	
9997-0840-16	47	2	p. 25	222561	455	1	p. 9	393815	187	1	p. 3	
9997-0850-16	34	1	p. 17	222562	468	1	p. 9	394358	240	1	p. 3	
9997-0860-16	17	1	p. 25	222698	24	1	p. 7	394661	25	1	p. 7	
9997-0865-12	54	1	p. 17	223726	1006	1	p. 9	394805	309	1	p. 3	
9997-0870-16	2	1	p. 15	223752	37	1	p. 7	394856	801	1	p. 5	
9997-0870-16	33	2	p. 25	224061	75	1	p. 7	395537	802	1	p. 5	
9997-0870-16	81	1	p. 23	224390	422	1	p. 9	395538	311	1	p. 3	
9997-0875-12	32	2	p. 25	224413	1006	1	p. 9	398003	513	1	p. 3	
9997-1030-16	6	3	p. 31	224539	130	1	p. 3	398159	803	1	p. 5	
9997-1030-16	12	1	p. 25	224540	108	1	p. 3	399169	309	1	p. 3	
9997-1030-16	28	1	p. 17	224545	306	1	p. 9	399172	803	1	p. 5	
9997-1040-12	12	2	p. 31	224546	646	1	p. 5	399265	2	1	p. 7	
9997-1070-12	93	1	p. 19	231058	225	1	p. 7	399891	758	1	p. 9	
9997-1450-16	32	1	p. 17	231082	592	1	p. 9	490309	544	1	p. 3	
19203	363	1	p. 9	231218	871	1	p. 9	490310	802	1	p. 5	
26828	36	1	p. 7	231597	552	1	p. 9	490311	311	4	p. 3	
27803	9	1	p. 7	231789	104	1	p. 3	490316	1003	4	p. 5	
65906	35	1	p. 7	231790	105	1	p. 3	490324	727	1	p. 5	
66538	635	1	p. 9	231794	147	1	p. 3	490327	523	1	p. 9	
68838	524	1	p. 9	260871	209	1	p. 7	490348	29	1	p. 7	
92284	332	1	p. 9	260924	27	2	p. 7	490421	510	1	p. 3	
92613	562	1	p. 9	261463	869	1	p. 9	490450	1	1	p. 7	
92909	32	2	p. 7	261961	871	1	p. 9	490466	16	1	p. 7	
93053	601	2	p. 3	262135	741	1	p. 9	490467	876	1	p. 5	
93306	614	1	p. 9	262243	1020	1	p. 9	490474	847	1	p. 9	
93307	615	1	p. 9	262246	33	1	p. 7	490815	219	1	p. 7	
93381	334	2	p. 3	262247	34	1	p. 7	491323	634	1	p. 9	
93496	657	1	p. 9	262248	45	2	p. 7	491490	308	1	p. 9	
93535	188	2	p. 7	262766	216	1	p. 3	492326	23	1	p. 7	
93621	482	4	p. 3	262767	201	1	p. 7	492341	333	1	p. 3	
93630	42	2	p. 7	262784	209	1	p. 7	493903	467	1	p. 3	
93705	346	2	p. 9	262785	232	1	p. 7	493909	445	1	p. 3	
93875	761	2	p. 9	262803	618	1	p. 5	493935	227	1	p. 7	
94003	310	2	p. 3	270920	842	1	p. 9	494237	875	1	p. 5	
94098	95	2	p. 3	271866	7	1	p. 7	494238	18	1	p. 7	
94108	965	2	p. 5	271916	12	1	p. 7	494240	5	1	p. 7	
94160	1021	1	p. 9	272403	535	1	p. 3	494241	358	1	p. 9	
94169	310	2	p. 3	272465	51	1	p. 3	494268	304	1	p. 9	
94239	15	1	p. 7	272554	52	1	p. 3	494269	304	1	p. 9	
94288	896	1	p. 5	280100	11	1	p. 7	494328	356	1	p. 9	
94326	284	1	p. 3	280104	783	1	p. 5	494378	975	1	p. 5	
94513	224	1	p. 3	280687	1005	1	p. 9	494379	131	1	p. 3	
94616	123	2	p. 3	280741	525	1	p. 9	494380	141	1	p. 3	
94619	305	4	p. 9	280848	668	1	p. 9	494381	133	1	p. 3	
94620	284	1	p. 7	281051	171	1	p. 3	494382	98	1	p. 3	
94620	663	2	p. 5	281104	872	1	p. 5	494383	118	1	p. 3	
94620	663	2	p. 9	281106	537	1	p. 3	494384	121	1	p. 3	
				281159	729	1	p. 9	494451	611	1	p. 5	

code	pos.	q.ty	page
494502	125	1	p. 3
494537	142	1	p. 3
494887	222	1	p. 7