



## **Reservdelskatalog Parts Catalogue**

# **PARK 16HST**

**13-1458-14 - Season 1992**

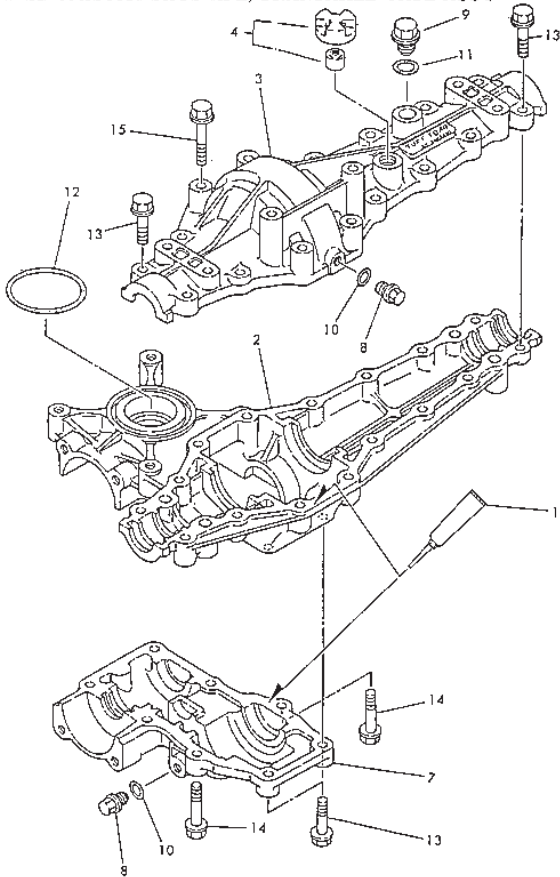
- Use GLOBAL GARDEN PRODUCT Genuine Spare Parts specified in the parts list for repair and/or replacement.
  - The contents described in the parts list may change due to improvement.
  - The drawings of the spare parts are only indicative and might not represent the part in question exactly.
  - The indications "right" - "left" - "front" - "rear" refer to the position of the operator when using the machine.
- When placing orders of parts for repair and/or replacement, make sure that the illustrated parts list is the one applying to the machine's year of manufacture, as shown on the identification plate attached to the machine.

© Copyright 2014 Global Garden Products

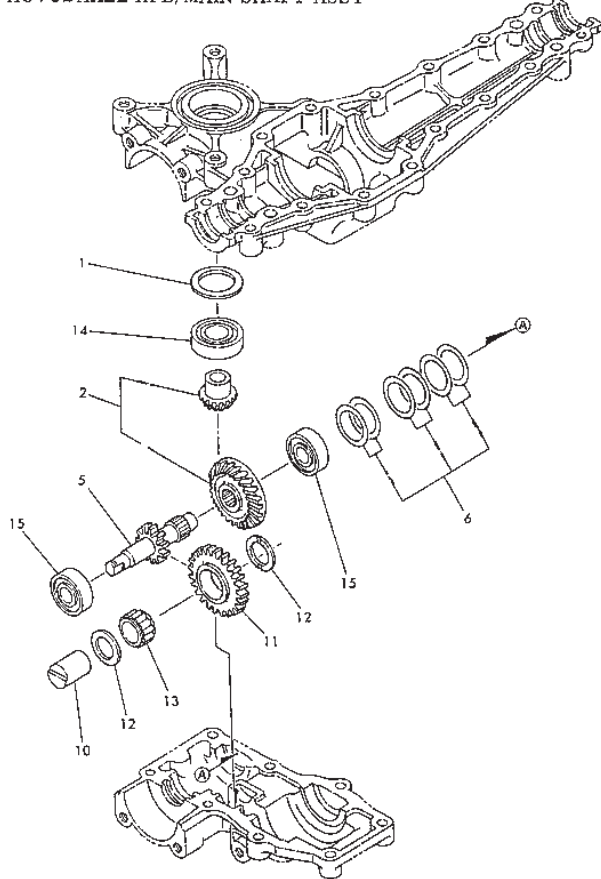
All rights reserved. No part of this material may be reproduced or transmitted, in any form or by any means, electronic or mechanical, including photocopying, recording or by any information storage and retrieval system, without permission in writing from GLOBAL GARDEN PRODUCTS.

[www.stiga.com](http://www.stiga.com)

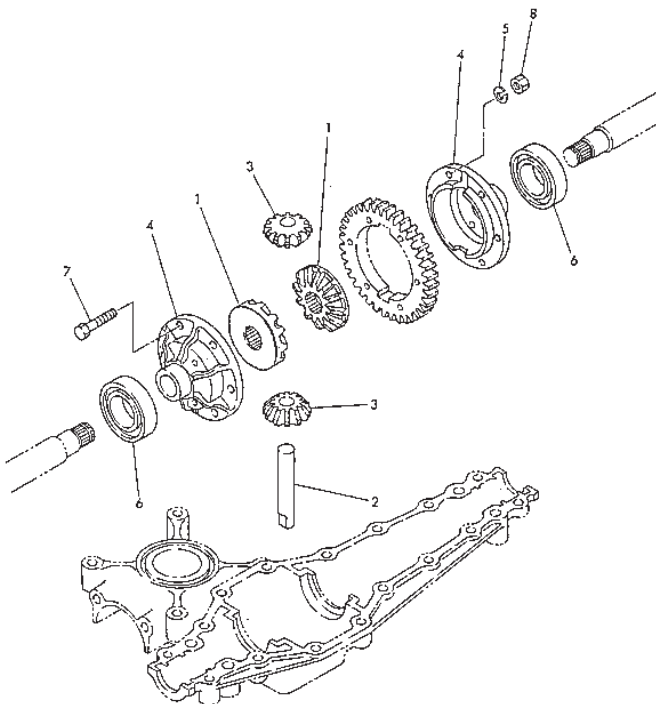
TRANSMISSIONSHUS KPL/TRANSAXLE CASE ASSY



HUVUDAXEL KPL/MAIN SHAFT ASSY

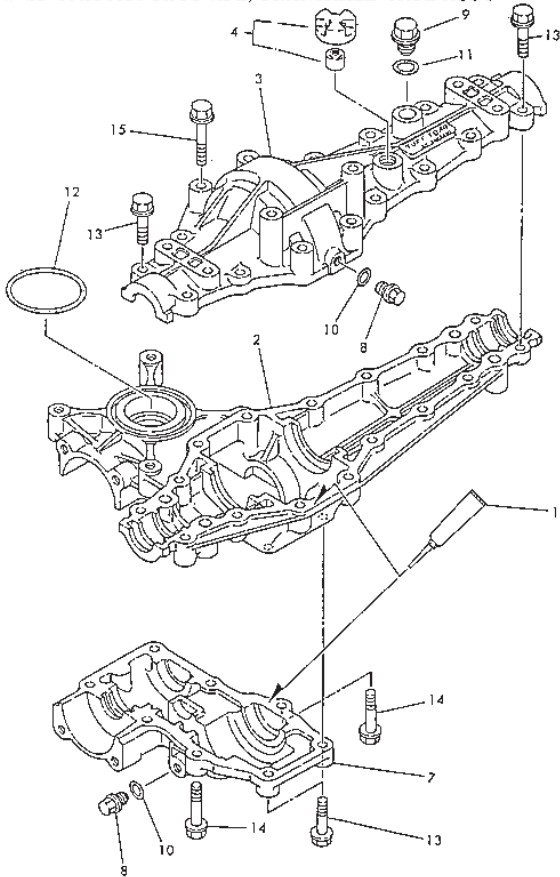


DIFFERENTIALDREV KPL/DIFFERENTIAL GEAR ASSY

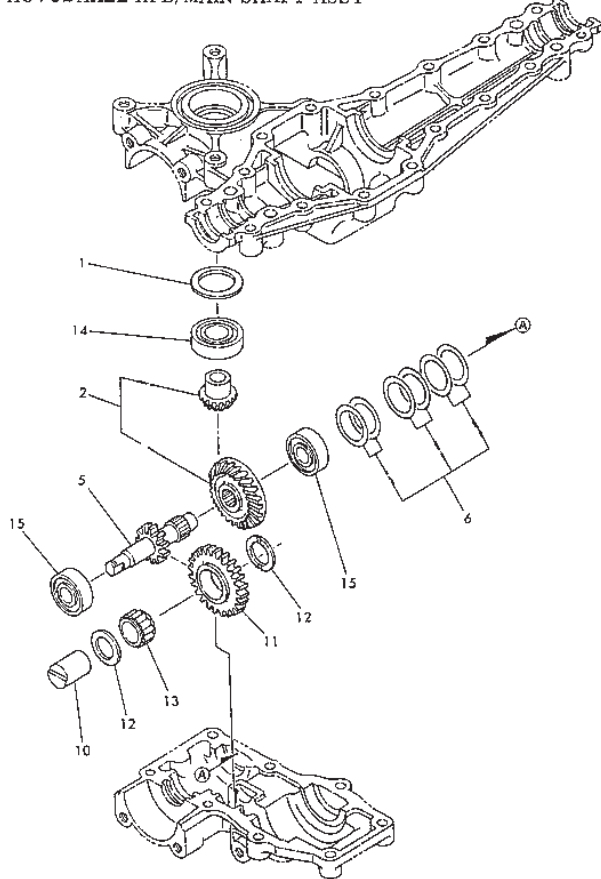


| Utgåva<br>Issue<br>37 - 2014 |               | Kanzaki Transaxel K110 |                   | Kanzaki Transaxle K110 |                     |
|------------------------------|---------------|------------------------|-------------------|------------------------|---------------------|
| Pos.<br>Fig.                 | Antal<br>Q.ty | Art nr<br>Part No      | Benämning         | Description            | Anmärkning<br>Notes |
| 2                            | 1             | 1139-0200-01           | Transmission case | Transmission case      |                     |
| A2                           | 1             | 1139-0200-01           | Transmission case | Transmission case      |                     |
| A1                           | 1             | 1139-0201-01           | Bricka            | Washer                 |                     |
| A1                           | 1             | 1139-0201-01           | Bricka            | Washer                 |                     |
| A1                           | 1             | 1139-0201-01           | Bricka            | Washer                 |                     |
| B1                           | 1             | 1139-0201-01           | Bricka            | Washer                 |                     |
| 3                            | 1             | 1139-0202-01           | Upper case        | Upper case             |                     |
| A3                           | 1             | 1139-0202-01           | Upper case        | Upper case             |                     |
| 7                            | 1             | 1139-0203-01           | Hus-nedre         | Lower Case             |                     |
| A7                           | 1             | 1139-0203-01           | Hus-nedre         | Lower Case             |                     |
| A2                           | 1             | 1139-0204-01           | Motordrev Kpl     | Motor Gear Assy        |                     |
| A2                           | 1             | 1139-0204-01           | Motordrev Kpl     | Motor Gear Assy        |                     |
| A2                           | 1             | 1139-0204-01           | Motordrev Kpl     | Motor Gear Assy        |                     |
| B2                           | 1             | 1139-0204-01           | Motordrev Kpl     | Motor Gear Assy        |                     |
| A05                          | 1             | 1139-0205-01           | Huvudaxel         | Main Shaft             |                     |
| A5                           | 1             | 1139-0205-01           | Huvudaxel         | Main Shaft             |                     |
| B5                           | 1             | 1139-0205-01           | Huvudaxel         | Main Shaft             |                     |
| A06                          | 1             | 1139-0206-01           | Shims (Sats)      | Shim Assy              |                     |
| A6                           | 1             | 1139-0206-01           | Shims (Sats)      | Shim Assy              |                     |
| B6                           | 1             | 1139-0206-01           | Shims (Sats)      | Shim Assy              |                     |
| A10                          | 1             | 1139-0207-01           | Mellanaxel        | Idle Shaft             |                     |
| B10                          | 1             | 1139-0207-01           | Mellanaxel        | Idle Shaft             |                     |
| A11                          | 1             | 1139-0208-01           | Drev (24)         | Gear (24)              |                     |
| A11                          | 1             | 1139-0208-01           | Drev (24)         | Gear (24)              |                     |
| B11                          | 1             | 1139-0208-01           | Drev (24)         | Gear (24)              |                     |
| A12                          | 2             | 1139-0209-01           | Bricka            | Thrust                 |                     |
| B12                          | 2             | 1139-0209-01           | Bricka            | Thrust                 |                     |
| A13                          | 1             | 1139-0210-01           | Nållager          | Needle Bearing         |                     |
| B13                          | 1             | 1139-0210-01           | Nållager          | Needle Bearing         |                     |
| B2                           | 1             | 1139-0211-01           | Axel              | Pinion shaft           |                     |
| B2                           | 1             | 1139-0211-01           | Axel              | Pinion shaft           |                     |
| B2                           | 1             | 1139-0211-01           | Axel              | Pinion shaft           |                     |
| C2                           | 1             | 1139-0211-01           | Axel              | Pinion shaft           |                     |
| B4                           | 2             | 1139-0212-01           | Case              | Case                   |                     |
| B4                           | 2             | 1139-0212-01           | Case              | Case                   |                     |
| C4                           | 2             | 1139-0212-01           | Case              | Case                   |                     |
| 1                            | 1             | 1139-0223-01           | Sealant           | Sealant                |                     |
| A1                           | 1             | 1139-0223-01           | Sealant           | Sealant                |                     |
| 4                            | 1             | 1139-0224-01           | Vent valve assy   | Vent valve assy        |                     |
| A4                           | 1             | 1139-0224-01           | Vent valve assy   | Vent valve assy        |                     |
| B1                           | 2             | 1139-0226-01           | Drev              | Differential Gear      |                     |
| B1                           | 2             | 1139-0226-01           | Drev              | Differential Gear      |                     |
| C1                           | 2             | 1139-0226-01           | Drev              | Differential Gear      |                     |
| B3                           | 2             | 1139-0227-01           | Drev              | Differential pinion    |                     |
| B3                           | 2             | 1139-0227-01           | Drev              | Differential pinion    |                     |
| C3                           | 2             | 1139-0227-01           | Drev              | Differential pinion    |                     |
| B5                           | 6             | 1139-0230-01           | Bricka            | Washer                 |                     |
| B5                           | 6             | 1139-0230-01           | Bricka            | Washer                 |                     |
| C5                           | 6             | 1139-0230-01           | Bricka            | Washer                 |                     |

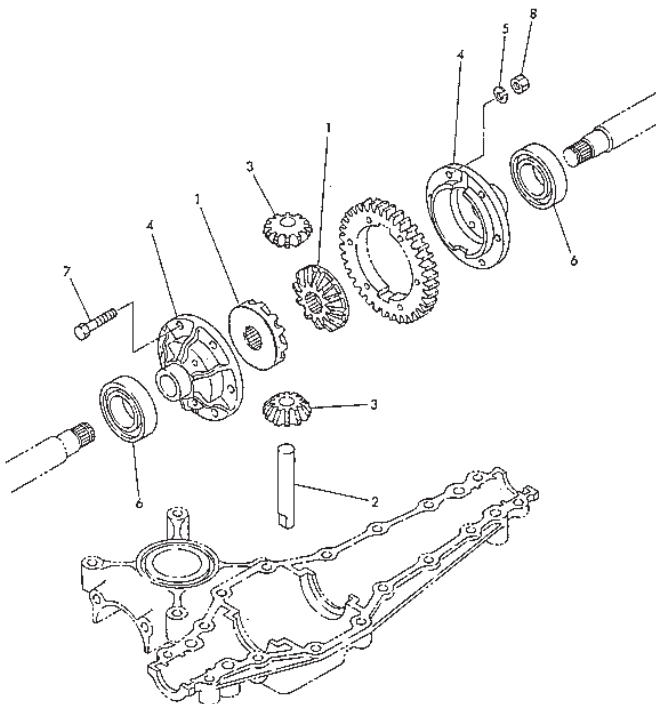
TRANSMISSIONSHUS KPL/TRANSAXLE CASE ASSY



HUVUDAXEL KPL/MAIN SHAFT ASSY

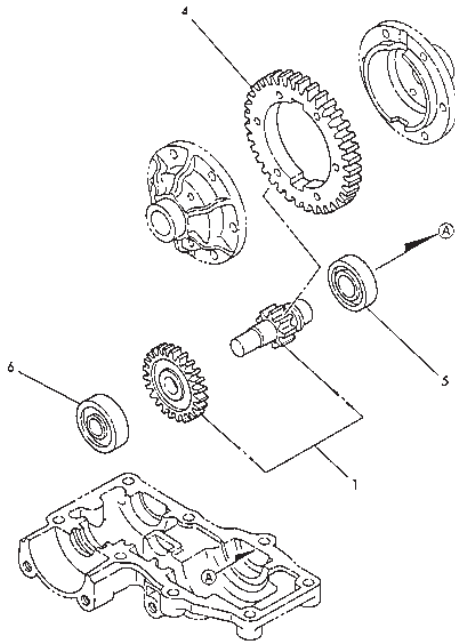


DIFFERENTIALDREV KPL/DIFFERENTIAL GEAR ASSY

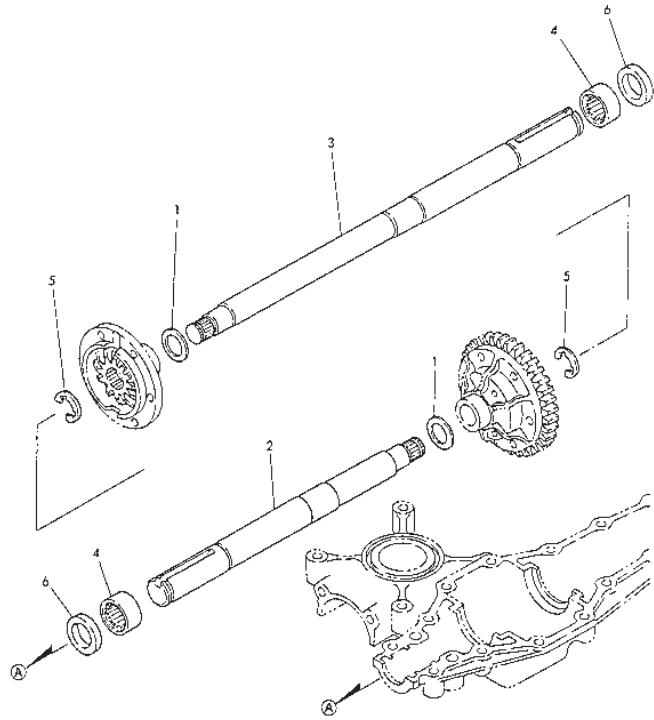


| Utgåva<br>Issue<br>37 - 2014 |               | Kanzaki Transaxel K110 |           | Kanzaki Transaxle K110 |                     |
|------------------------------|---------------|------------------------|-----------|------------------------|---------------------|
| Pos.<br>Fig.                 | Antal<br>Q.ty | Art nr<br>Part No      | Benämning | Description            | Anmärkning<br>Notes |
| 8                            | 2             | 1139-0231-01           | Plugg     | Plug                   |                     |
| A8                           | 2             | 1139-0231-01           | Plugg     | Plug                   |                     |
| 9                            | 1             | 1139-0232-01           | Plugg     | Plug                   |                     |
| A9                           | 1             | 1139-0232-01           | Plugg     | Plug                   |                     |
| A14                          | 1             | 1139-0233-01           | Kullager  | Ball Bearing           |                     |
| B14                          | 1             | 1139-0233-01           | Kullager  | Ball Bearing           |                     |
| B6                           | 2             | 1139-0234-01           | Kullager  | Ball Bearing           |                     |
| B6                           | 2             | 1139-0234-01           | Kullager  | Ball Bearing           |                     |
| C6                           | 2             | 1139-0234-01           | Kullager  | Ball Bearing           |                     |
| A15                          | 2             | 1139-0235-01           | Kullager  | Ball Bearing           |                     |
| B15                          | 2             | 1139-0235-01           | Kullager  | Ball Bearing           |                     |
| 10                           | 2             | 1139-0238-01           | Packning  | Packing                |                     |
| A10                          | 2             | 1139-0238-01           | Packning  | Packing                |                     |
| 11                           | 1             | 1139-0239-01           | Packning  | Packing                |                     |
| A11                          | 1             | 1139-0239-01           | Packning  | Packing                |                     |
| 12                           | 1             | 1139-0240-01           | Packning  | Packing                |                     |
| A12                          | 1             | 1139-0240-01           | Packning  | Packing                |                     |
| B7                           | 6             | 1139-0243-01           | Bult      | Bolt                   |                     |
| B7                           | 6             | 1139-0243-01           | Bult      | Bolt                   |                     |
| C7                           | 6             | 1139-0243-01           | Bult      | Bolt                   |                     |
| 13                           | 14            | 1139-0244-01           | Skruv     | Screw                  |                     |
| A13                          | 14            | 1139-0244-01           | Skruv     | Screw                  |                     |
| 14                           | 6             | 1139-0245-01           | Skruv     | Screw                  |                     |
| A14                          | 6             | 1139-0245-01           | Skruv     | Screw                  |                     |
| 15                           | 4             | 1139-0246-01           | Skruv     | Screw                  |                     |
| A15                          | 4             | 1139-0246-01           | Skruv     | Screw                  |                     |
| B8                           | 6             | 1139-0247-01           | Mutter    | Nut                    |                     |
| B8                           | 6             | 1139-0247-01           | Mutter    | Nut                    |                     |
| C8                           | 6             | 1139-0247-01           | Mutter    | Nut                    |                     |

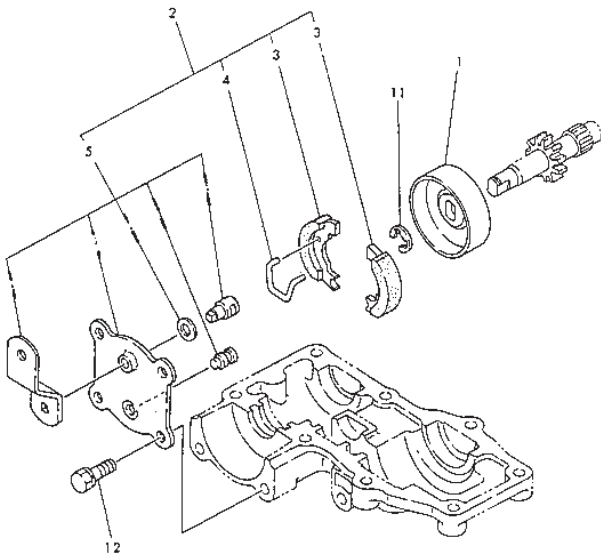
SLUTDREV KPL/FINAL GEAR ASSY



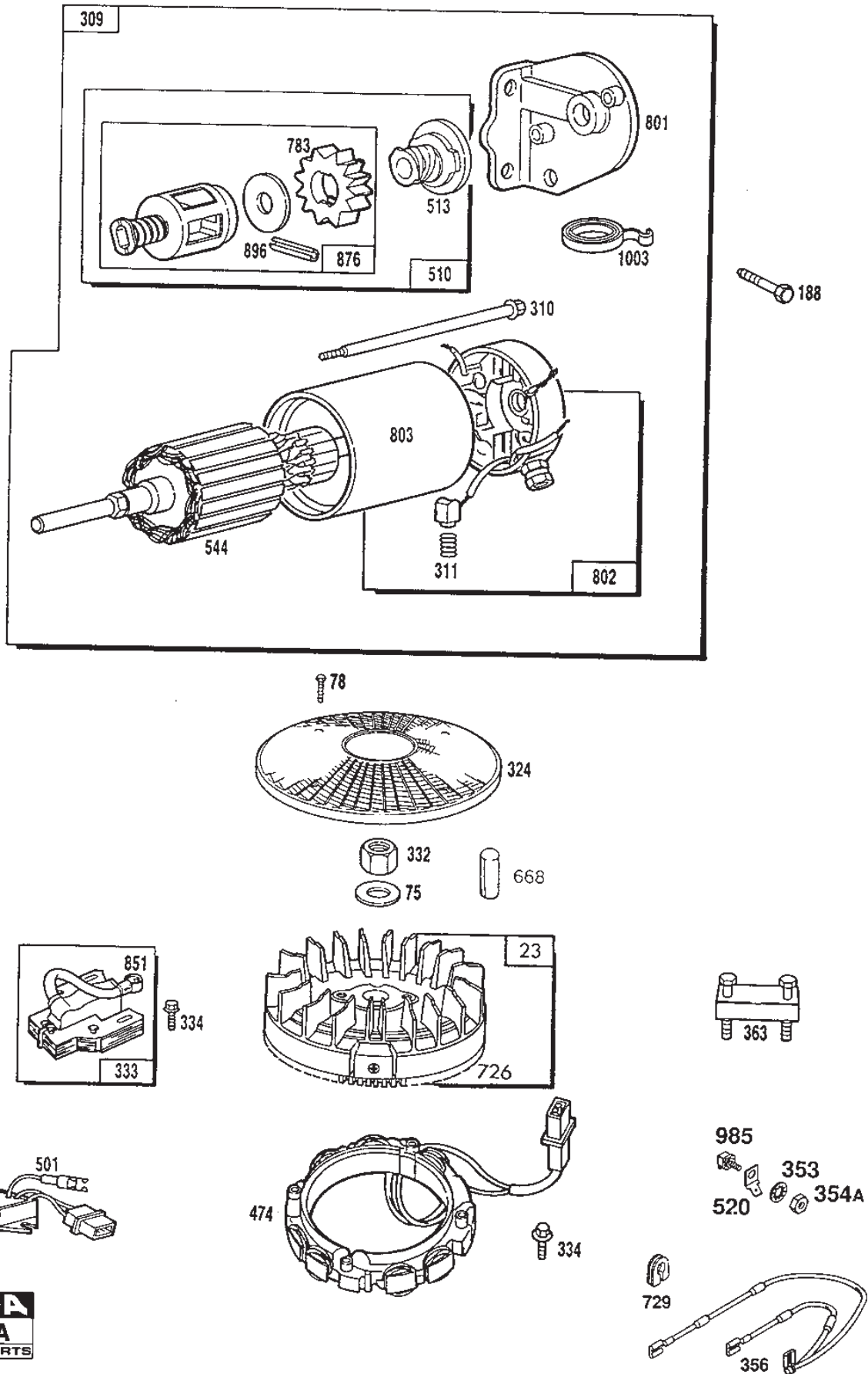
DRIVAXEL KPL/AXLE SHAFT ASSY



BROMS KPL/BRAKE ASSY

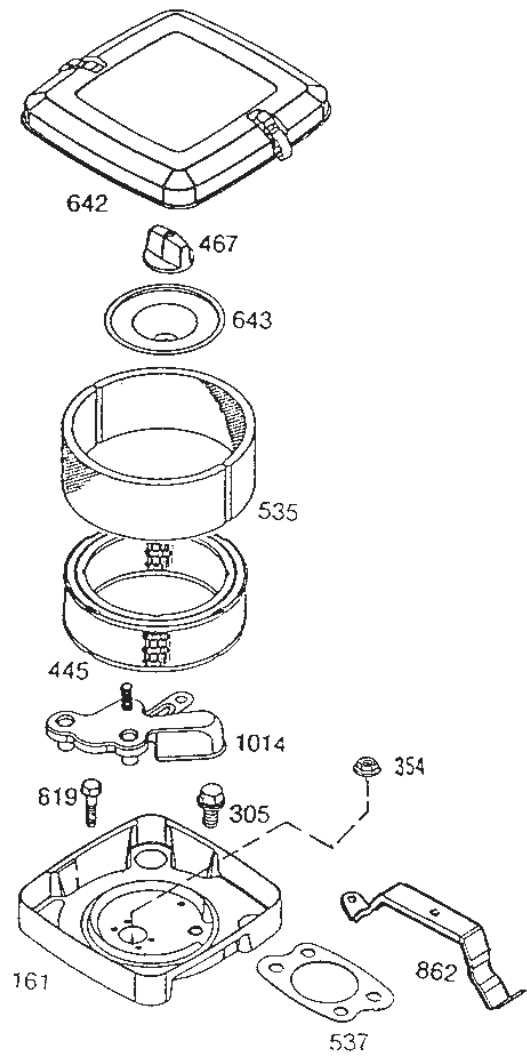
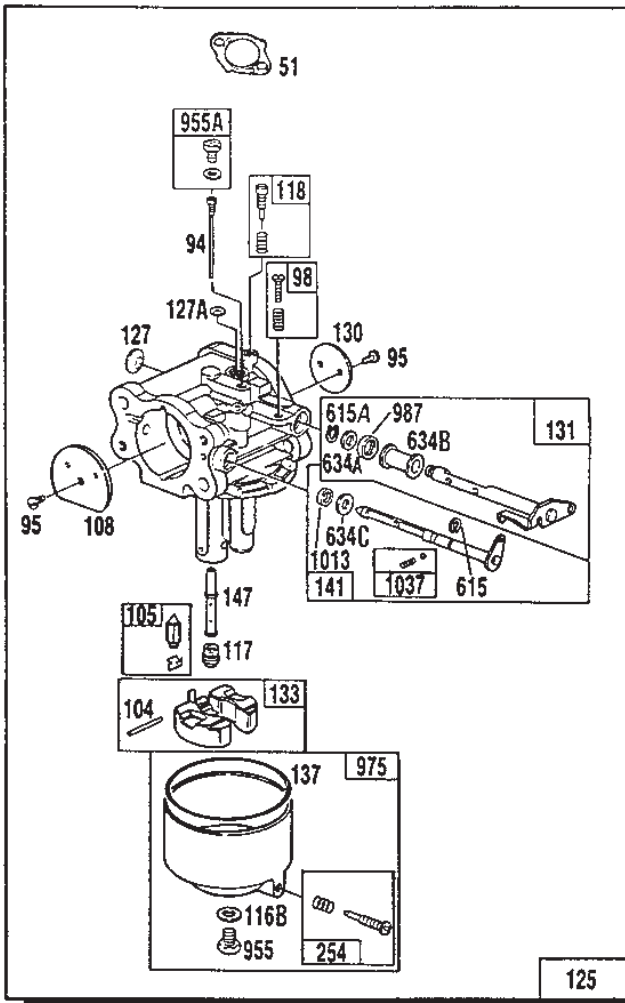


| Utgåva<br>Issue<br>37 - 2014 |               | Kanzaki Transaxel K110 |                 | Kanzaki Transaxle K110 |                      |
|------------------------------|---------------|------------------------|-----------------|------------------------|----------------------|
| Pos.<br>Fig.                 | Antal<br>Q.ty | Art nr<br>Part No      | Benämning       | Description            | Anmärkning<br>Notes  |
| 1                            | 1             | 1139-0213-01           | Drev kpl        | Final pinion assy      |                      |
| A1                           | 1             | 1139-0213-01           | Drev kpl        | Final pinion assy      |                      |
| 4                            | 1             | 1139-0214-01           | Drev            | Final gear             |                      |
| A4                           | 1             | 1139-0214-01           | Drev            | Final gear             |                      |
| A2                           | 1             | 1139-0215-01           | Axel Vä         | Axle Shaft L.          |                      |
| A2                           | 1             | 1139-0215-01           | Axel Vä         | Axle Shaft L.          |                      |
| B2                           | 1             | 1139-0215-01           | Axel Vä         | Axle Shaft L.          | Mask. sedd framifrån |
| A3                           | 1             | 1139-0216-01           | Axle shaft-R.H. | Axle shaft-R.H.        |                      |
| A3                           | 1             | 1139-0216-01           | Axle shaft-R.H. | Axle shaft-R.H.        |                      |
| B3                           | 1             | 1139-0216-01           | Axle shaft-R.H. | Axle shaft-R.H.        | Mask. sedd framifrån |
| A4                           | 2             | 1139-0217-01           | Nållager        | Needle Bearing         |                      |
| A4                           | 2             | 1139-0217-01           | Nållager        | Needle Bearing         |                      |
| B4                           | 2             | 1139-0217-01           | Nållager        | Needle Bearing         |                      |
| B3                           | 2             | 1139-0218-01           | Bromsback       | Brake Shoe             |                      |
| B3                           | 2             | 1139-0218-01           | Bromsback       | Brake Shoe             |                      |
| C3                           | 2             | 1139-0218-01           | Bromsback       | Brake Shoe             |                      |
| B4                           | 1             | 1139-0219-01           | Fjäder          | Spring                 |                      |
| B4                           | 1             | 1139-0219-01           | Fjäder          | Spring                 |                      |
| C4                           | 1             | 1139-0219-01           | Fjäder          | Spring                 |                      |
| B1                           | 1             | 1139-0220-01           | Bromstrumma     | Brake Drum             |                      |
| B1                           | 1             | 1139-0220-01           | Bromstrumma     | Brake Drum             |                      |
| C1                           | 1             | 1139-0220-01           | Bromstrumma     | Brake Drum             |                      |
| B2                           | 1             | 1139-0221-01           | Broms Kpl       | Brake Assembly         |                      |
| B2                           | 1             | 1139-0221-01           | Broms Kpl       | Brake Assembly         |                      |
| B2                           | 1             | 1139-0221-01           | Broms Kpl       | Brake Assembly         |                      |
| C2                           | 1             | 1139-0221-01           | Broms Kpl       | Brake Assembly         |                      |
| B5                           | 1             | 1139-0222-01           | Bromslock       | Brake Cover            |                      |
| B5                           | 1             | 1139-0222-01           | Bromslock       | Brake Cover            |                      |
| C5                           | 1             | 1139-0222-01           | Bromslock       | Brake Cover            |                      |
| A1                           | 2             | 1139-0225-01           | Bricka          | Washer                 |                      |
| A1                           | 2             | 1139-0225-01           | Bricka          | Washer                 |                      |
| B1                           | 2             | 1139-0225-01           | Bricka          | Washer                 |                      |
| B11                          | 1             | 1139-0228-01           | Låsring         | Ring                   |                      |
| C11                          | 1             | 1139-0228-01           | Låsring         | Ring                   |                      |
| A05                          | 2             | 1139-0229-01           | Låsring         | Ring                   |                      |
| A5                           | 2             | 1139-0229-01           | Låsring         | Ring                   |                      |
| B5                           | 2             | 1139-0229-01           | Låsring         | Ring                   |                      |
| 5                            | 1             | 1139-0236-01           | Kullager        | Ball Bearing           |                      |
| A05                          | 1             | 1139-0236-01           | Kullager        | Ball Bearing           |                      |
| A06                          | 2             | 1139-0241-01           | Tätning         | Seal                   |                      |
| A6                           | 2             | 1139-0241-01           | Tätning         | Seal                   |                      |
| B6                           | 2             | 1139-0241-01           | Tätning         | Seal                   |                      |
| B12                          | 4             | 1139-0242-01           | Bult            | Bolt                   |                      |
| C12                          | 4             | 1139-0242-01           | Bult            | Bolt                   |                      |
| 6                            | 1             | 9549-0041-00           | Kullager        | Ball Bearing           |                      |
| A06                          | 1             | 9549-0041-00           | Kullager        | Ball Bearing           |                      |

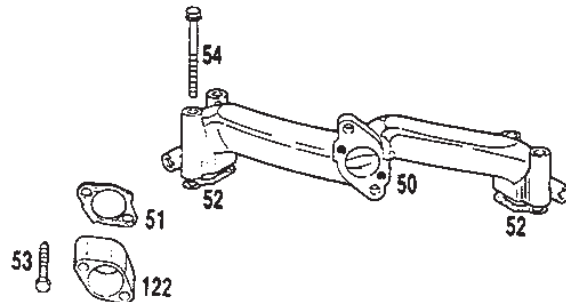
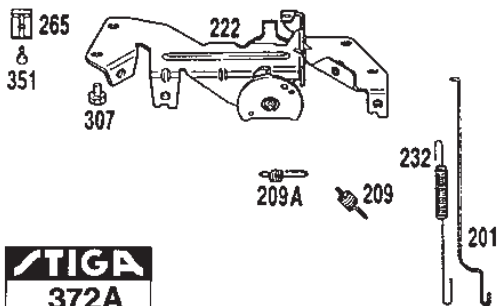




| Utgåva<br>Issue<br>37 - 2014 |               | Elsystem Startmotor |                  | Electric System Starter Motor |                     |
|------------------------------|---------------|---------------------|------------------|-------------------------------|---------------------|
| Pos.<br>Fig.                 | Antal<br>Q.ty | Art nr<br>Part No   | Benämning        | Description                   | Anmärkning<br>Notes |
| 363                          | 1             | 19203               | Avdragare        | Puller                        | Tillbehör/Accessory |
| 354a                         | 1             | 90576               | Mutter           | Nut                           |                     |
| 353                          | 1             | 92791               | Bricka           | Washer                        |                     |
| 520                          | 1             | 93722               | Anslutningsbleck | Terminal                      |                     |
| 310                          | 2             | 94169               | Bult             | Bolt                          |                     |
| 896                          | 1             | 94288               | Stift            | Roll pin                      |                     |
| 851                          | 1             | 221798              | Anslutning       | Terminal                      |                     |
| 783                          | 1             | 280104              | Drev             | Gear                          |                     |
| 324                          | 1             | 280829              | Nät              | Screen                        |                     |
| 474                          | 1             | 393295              | Generator        | Alternator                    |                     |
| 801                          | 1             | 394856              | Lock             | Drive end cap                 |                     |
| 501                          | 1             | 394890              | Regulator        | Regulator                     |                     |
| 513                          | 1             | 398003              | Koppling kpl     | Clutch Ass.Y                  |                     |
| 985                          | 1             | 398525              | Isolator         | Insulator                     |                     |
| 309                          | 1             | 399169              | Starting motor   | Starting motor                |                     |
| 803                          | 1             | 399172              | Hus              | Housing                       |                     |
| 544                          | 1             | 490309              | Armature         | Armature                      |                     |
| 802                          | 1             | 490310              | Bottenkåpa       | Commutator end cap            |                     |
| 311                          | 2             | 490311              | Brush            | Brush                         |                     |
| 1003                         | 1             | 490316              | Fjäder           | Spring                        |                     |
| 510                          | 1             | 490421              | Drev kpl         | Drive assy                    |                     |
| 876                          | 1             | 490467              | Startdrev        | Retainer kit                  |                     |
| 333                          | 1             | 492341              | Armature magneto | Armature magneto              |                     |
| 356                          | 1             | 493792              | Gasreglage       | Throttle Cable                |                     |
| 75                           | 1             | 805007              | Bricka           | Washer                        |                     |
| 332                          | 1             | 805021              | Mutter           | Nut                           |                     |
| 188                          | 2             | 805247              | Skruv            | Screw                         |                     |
| 668                          | 1             | 805402              | Distans          | Spacer                        |                     |
| 334                          | 6             | 805407              | Skruv            | Screw                         |                     |
| 78                           | 3             | 805447              | Skruv            | Screw                         |                     |
| 526                          | 2             | 805488              | Skruv            | Screw                         |                     |
| 729                          | 1             | 805641              | Hylsa            | Grommet                       |                     |
| 23                           | 1             | 807531              | Flywheel         | Flywheel                      |                     |
| 726                          | 1             | 807805              | Gear             | Gear                          |                     |

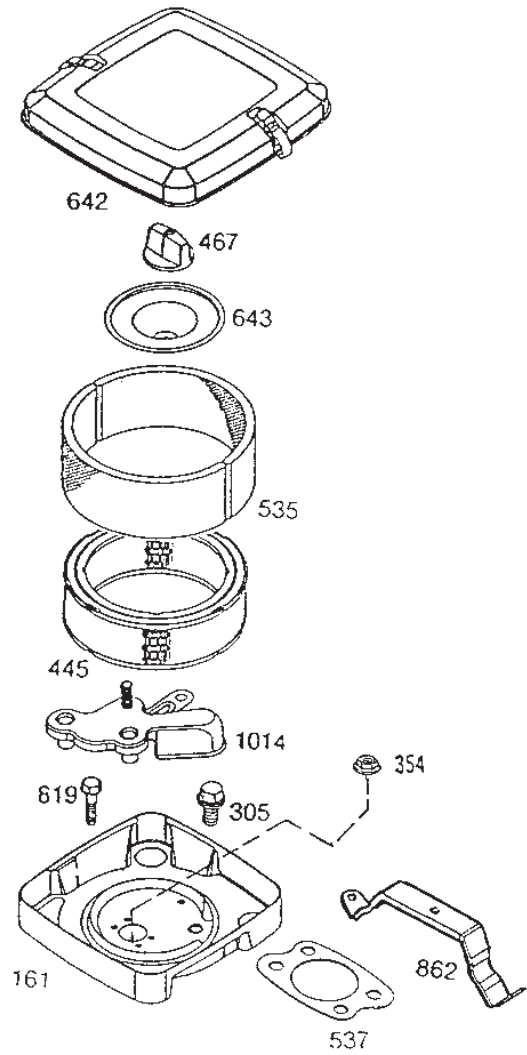
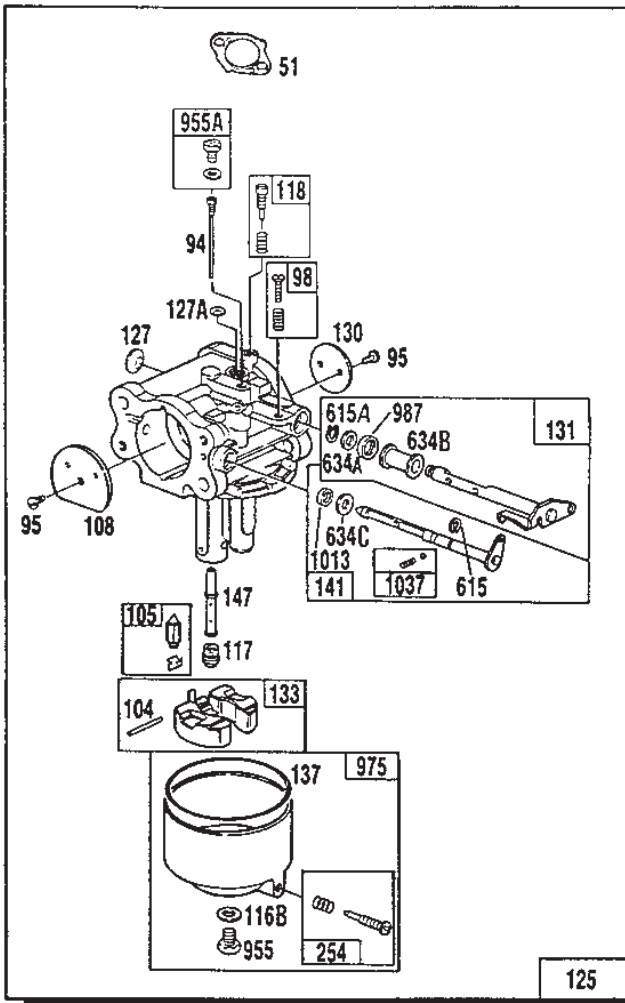


121 CARBURETOR OVERHAUL KIT

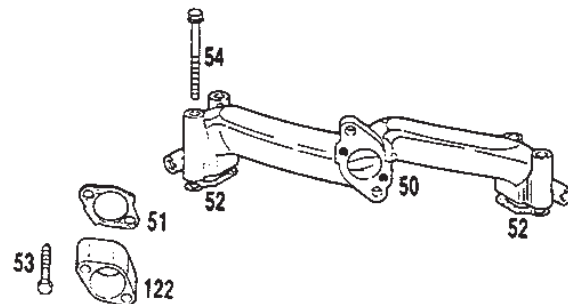
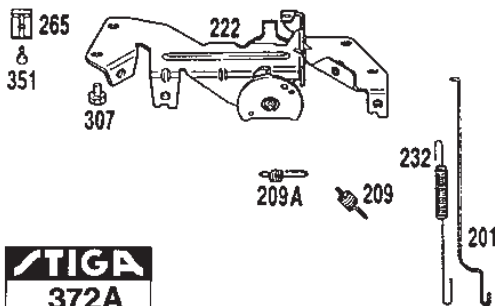


358 GASKET SET

| Utgåva<br>Issue<br>37 - 2014 |               | Förgasare Luftfilter | Carburettor Air Cleaner |                       |                     |
|------------------------------|---------------|----------------------|-------------------------|-----------------------|---------------------|
| Pos.<br>Fig.                 | Antal<br>Q.ty | Art nr<br>Part No    | Benämning               | Description           | Anmärkning<br>Notes |
| 601                          | 2             | 93053                | Slangklämma             | Hose clamp            |                     |
| 265                          | 2             | 221535               | Klämma                  | Clamp                 |                     |
| 535                          | 1             | 271271               | Luftfilterelement       | Filter Element        |                     |
| 187                          | 1             | 393815               | Bränsleledning          | Fuel line             | 279 mm              |
| 445                          | 1             | 394018               | Air cleaner cartridge   | Air cleaner cartridge |                     |
| 240                          | 1             | 394358               | Bränslefilter           | Fuel filter           |                     |
| 467                          | 1             | 491875               | Låsrott                 | Knob                  |                     |
| 387                          | 1             | 491922               | Fuel pump               | Fuel pump             |                     |
| 54                           | 4             | 805006               | Skruv                   | Screw                 |                     |
| 52                           | 2             | 805023               | Packning                | Gasket                |                     |
| 307                          | 6             | 805025               | Skruv                   | Screw                 |                     |
| 819                          | 1             | 805057               | Skruv                   | Screw                 |                     |
| 51                           | 1             | 805149               | Packning                | Gasket                |                     |
| 351                          | 2             | 805169               | Skruv                   | Screw                 |                     |
| 823                          | 2             | 805317               | Skruv                   | Screw                 |                     |
| 122                          | 1             | 805329               | Distans                 | Spacer                |                     |
| 53                           | 2             | 805360               | Skruv                   | Screw                 |                     |
| 305                          | 1             | 805406               | Skruv                   | Screw                 |                     |
| 50                           | 1             | 805409               | Insugningsrör           | Intake Manifold       |                     |
| 216                          | 1             | 805439               | Choke link              | Choke link            |                     |
| 209A                         | 1             | 805453               | Fjäder                  | Spring                |                     |
| 209                          | 1             | 805460               | Fjäder                  | Spring                |                     |
| 232                          | 1             | 805465               | Fjäder                  | Spring                |                     |
| 201                          | 1             | 805480               | Governor link           | Governor link         |                     |
| 95                           | 2             | 805561               | Skruv                   | Screw                 |                     |
| 108                          | 1             | 805562               | Choke valve             | Choke valve           |                     |
| 127                          | 1             | 805570               | Welch plug              | Welch plug            |                     |
| 127A                         | 1             | 805571               | Welch plug              | Welch plug            |                     |
| 130                          | 1             | 805572               | Gasspjäll               | Throttle Valve        |                     |
| 634B                         | 1             | 805574               | Collar                  | Collar                |                     |
| 987                          | 1             | 805575               | Seal                    | Seal                  |                     |
| 634A                         | 1             | 805576               | Collar                  | Collar                |                     |
| 615A                         | 1             | 805577               | Retainer                | Retainer              |                     |
| 615                          | 1             | 805578               | Retainer                | Retainer              |                     |
| 634C                         | 1             | 805580               | Collar                  | Collar                |                     |
| 1013                         | 1             | 805581               | Seal                    | Seal                  |                     |
| 104                          | 1             | 805586               | Flottöraxel             | Hinge pin             |                     |
| 955                          | 1             | 805592               | Skruv                   | Screw                 |                     |
| 643                          | 1             | 805631               | Plate                   | Plate                 |                     |
| 537                          | 1             | 805655               | Packning                | Gasket                |                     |
| 94                           | 1             | 805777               | Nozzle                  | Nozzle                |                     |
| 271                          | 1             | 807609               | Bracket                 | Bracket               |                     |
| 222                          | 1             | 807610               | Fäste                   | Control Bracket       |                     |
| 788                          | 1             | 807685               | Fäste                   | Bracket               |                     |
| 98                           | 1             | 807705               | Skruv                   | Screw                 |                     |
| 105                          | 1             | 807706               | Fuel inlet valve        | Fuel inlet valve      |                     |
| 118                          | 1             | 807707               | Justerskruv             | Idle valve            |                     |
| 131                          | 1             | 807709               | Spjällsaxeln            | Throttle Shaft        |                     |
| 133                          | 1             | 807710               | Flottör                 | Float                 |                     |

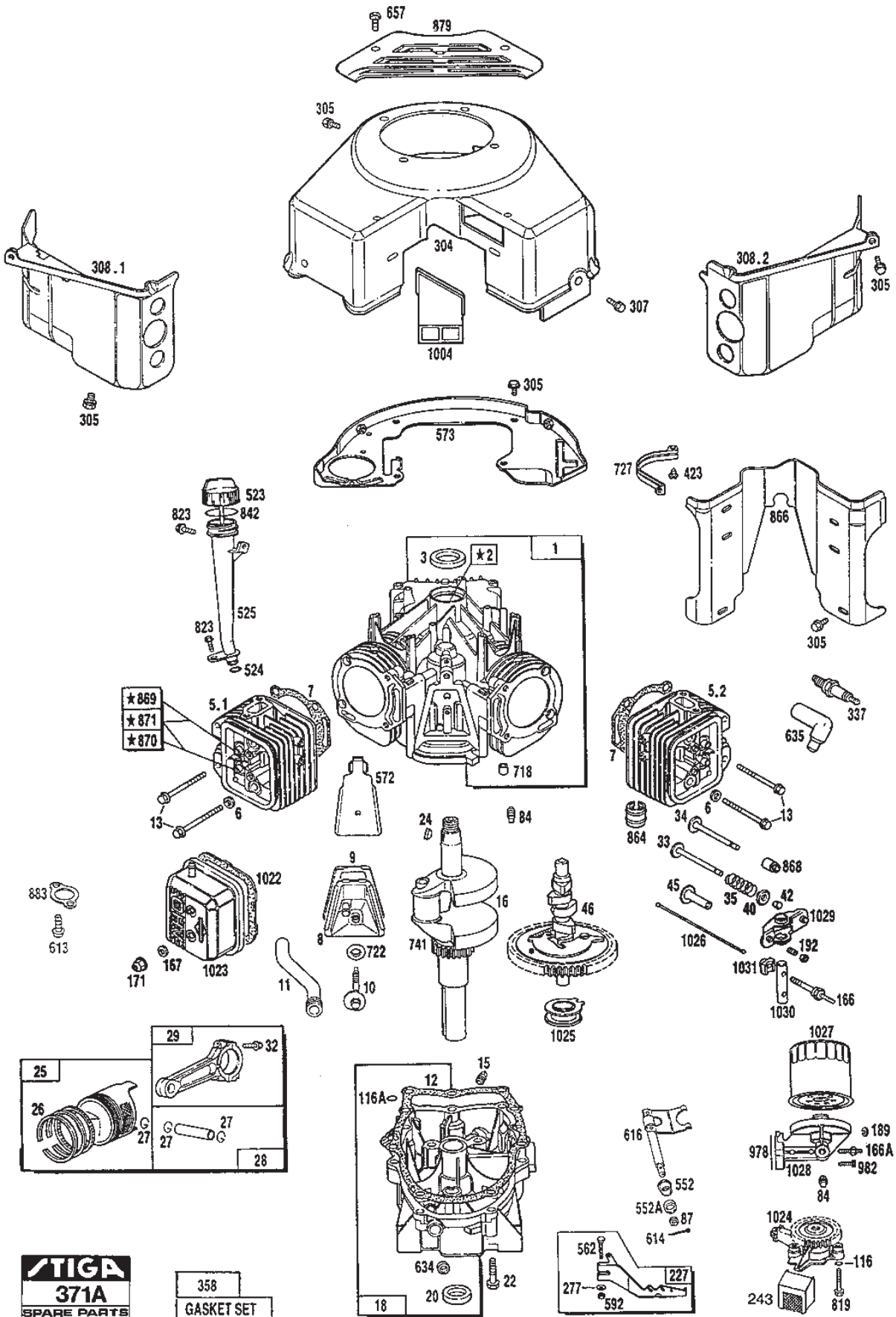


121 CARBURETOR OVERHAUL KIT

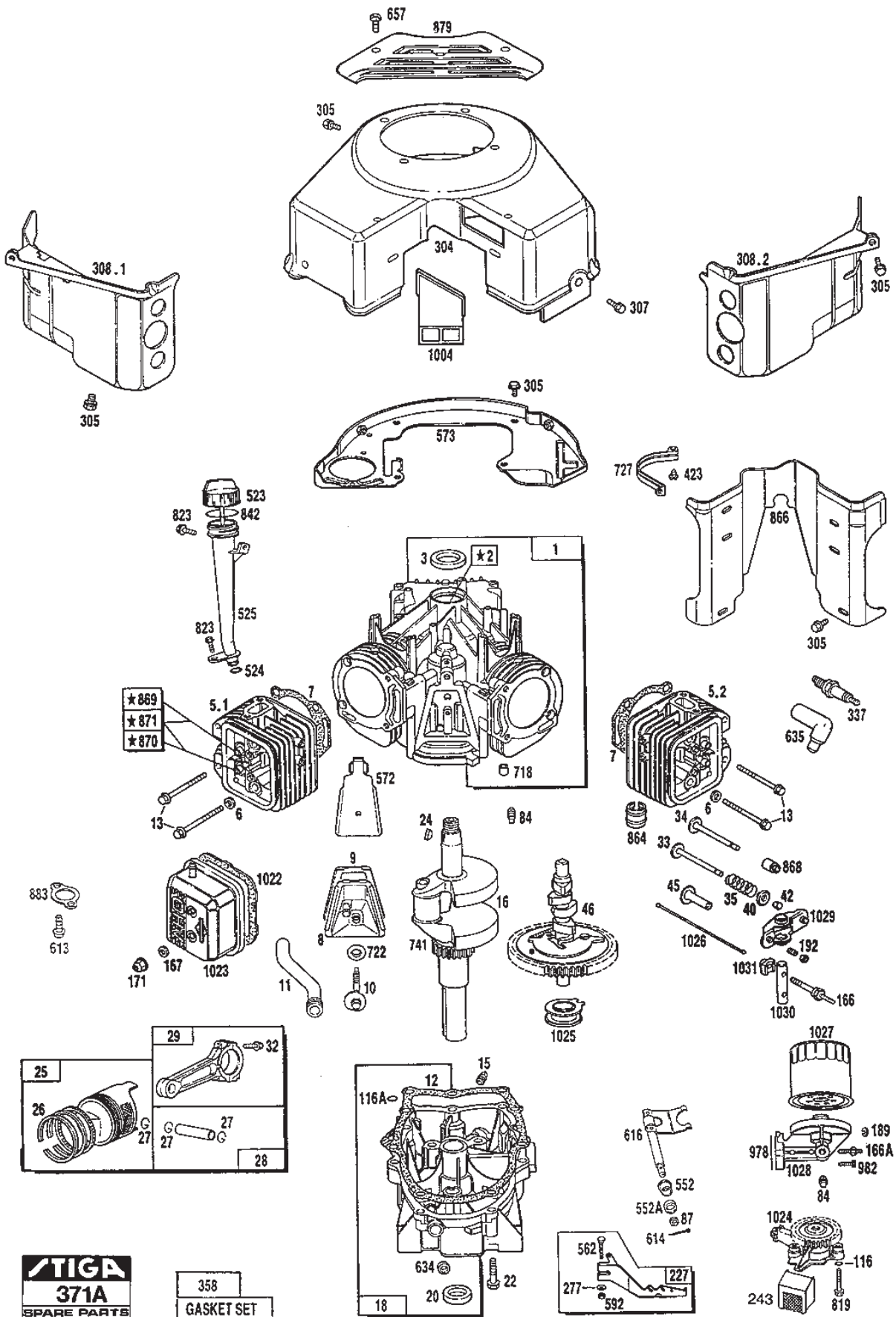


358 GASKET SET

| Utgåva<br>Issue<br>37 - 2014 |               | Förgasare Luftfilter |                   | Carburettor Air Cleaner |                     |
|------------------------------|---------------|----------------------|-------------------|-------------------------|---------------------|
| Pos.<br>Fig.                 | Antal<br>Q.ty | Art nr<br>Part No    | Benämning         | Description             | Anmärkning<br>Notes |
| 141                          | 1             | 807711               | Choke shaft       | Choke shaft             |                     |
| 254                          | 1             | 807713               | Dräneringsskruv   | Drain                   |                     |
| 955A                         | 1             | 807714               | Plugg             | Plug and seal           |                     |
| 975                          | 1             | 807715               | Bowl              | Bowl                    |                     |
| 1037                         | 1             | 807717               | Kula              | Ball                    |                     |
| 1014                         | 1             | 807797               | Deflektor         | Deflector               |                     |
| 161                          | 1             | 807857               | Luftrenarfäste    | Air Cleaner Base        |                     |
| 862                          | 1             | 807859               | Fäste             | Bracket                 |                     |
| 642                          | 1             | 807862               | Cover             | Cover                   |                     |
| 147                          | 1             | 807960               | Nozzle            | Nozzle                  |                     |
| 125                          | 1             | 807961               | Förgasare kpl     | Carburettor Assy        |                     |
| 121                          | 1             | 807962               | Carb.overhaul kit | Carb.overhaul kit       | Delarna märkta F    |
| 358                          | 1             | 807989               | Packningssats     | Gasket set              | Delarna märkta S    |
| 354                          | 1             | 810078               | Mutter            | Nut                     |                     |



| Utgåva<br>Issue<br>37 - 2014 |               | Cylinder Vevhus   | Cylinder Crankcase  |                      |                     |
|------------------------------|---------------|-------------------|---------------------|----------------------|---------------------|
| Pos.<br>Fig.                 | Antal<br>Q.ty | Art nr<br>Part No | Benämning           | Description          | Anmärkning<br>Notes |
| 337                          | 2             | 491055            | Spark plug-long thr | Spark plug-long thr. |                     |
| 1027                         | 1             | 491056            | Oljefilter          | Oil Filter           |                     |
| 657                          | 2             | 805009            | Skruv               | Screw                |                     |
| 524                          | 1             | 805011            | Oil seal            | Oil seal             |                     |
| 842                          | 1             | 805012            | O-ring              | O-ring               |                     |
| 24                           | 1             | 805016            | Kil                 | Key                  |                     |
| 22                           | 9             | 805017            | Skruv               | Screw                |                     |
| 277                          | 1             | 805018            | Bricka              | Washer               |                     |
| 171                          | 4             | 805019            | Mutter              | Nut                  |                     |
| 883                          | 2             | 805024            | Packning            | Gasket               |                     |
| 307                          | 2             | 805025            | Skruv               | Screw                |                     |
| 1022                         | 2             | 805028            | Packning            | Gasket               |                     |
| 982                          | 2             | 805030            | Skruv               | Screw                |                     |
| 15                           | 1             | 805048            | Oil drain plug      | Oil drain plug       |                     |
| 20                           | 1             | 805049            | Oil seal            | Oil seal             |                     |
| 87                           | 1             | 805054            | Seal                | Seal                 |                     |
| 819                          | 2             | 805057            | Skruv               | Screw                |                     |
| 116                          | 2             | 805058            | O-ring              | O-ring               |                     |
| 84                           | 2             | 805059            | Plugg               | Plug                 |                     |
| 166A                         | 1             | 805073            | Stud                | Stud                 |                     |
| 35                           | 4             | 805078            | Fjäder              | Spring               |                     |
| 864                          | 2             | 805083            | Avgasport           | Exhaust port liner   |                     |
| 871                          | 4             | 805084            | Valve guide         | Valve guide          |                     |
| 869                          | 2             | 805085            | Seat-intake         | Seat-intake          |                     |
| 870                          | 2             | 805086            | Seat-exhaust        | Seat-exhaust         |                     |
| 33                           | 2             | 805089            | Exhaust valve       | Exhaust valve        |                     |
| 34                           | 2             | 805090            | Insugningsventil    | Intake valve         |                     |
| 40                           | 4             | 805092            | Retainer            | Retainer             |                     |
| 868                          | 4             | 805094            | Seal                | Seal                 |                     |
| 13                           | 8             | 805097            | Skruv               | Screw                |                     |
| 27                           | 4             | 805099            | Låsring             | Lock                 |                     |
| 1023                         | 1             | 805100            | Valve cover         | Valve cover          |                     |
| 1023                         | 1             | 805100            | Valve cover         | Valve cover          |                     |
| 3                            | 1             | 805101            | Oil seal            | Oil seal             |                     |
| 718                          | 2             | 805103            | Styrpinne           | Dowel pin            |                     |
| 2                            | 1             | 805107            | Bearing             | Bearing              |                     |
| 12                           | 1             | 805112            | Packning            | Gasket               |                     |
| 613                          | 4             | 805158            | Skruv               | Screw                |                     |
| 42                           | 4             | 805161            | Retainer            | Retainer             |                     |
| 6                            | 8             | 805193            | Bricka              | Washer               |                     |
| 572                          | 1             | 805197            | Baffle              | Baffle               |                     |
| 116A                         | 1             | 805198            | O-ring              | O-ring               |                     |
| 978                          | 1             | 805250            | Packning            | Gasket               |                     |
| 423                          | 2             | 805260            | Skruv               | Screw                |                     |
| 1028                         | 1             | 805292            | Oljefilteradapter   | Oil filter adapter   |                     |
| 243                          | 1             | 805312            | Oil screen          | Oil screen           |                     |
| 1025                         | 1             | 805313            | Governor slider     | Governor slider      |                     |
| 823                          | 2             | 805317            | Skruv               | Screw                |                     |
| 1031                         | 4             | 805341            | Fäste               | Support              |                     |

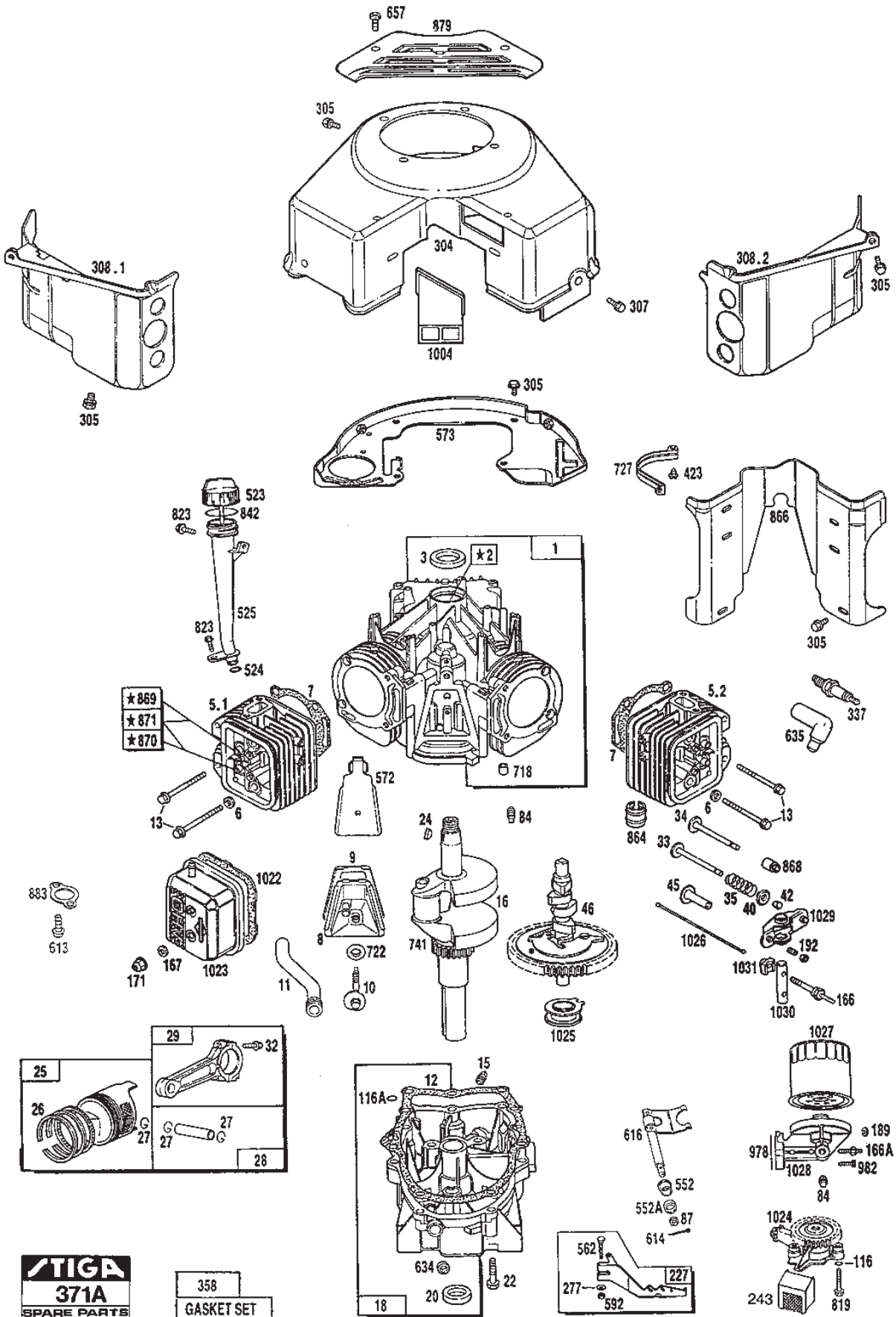


**STIGA**  
**371A**  
SPARE PARTS

358  
GASKET SET



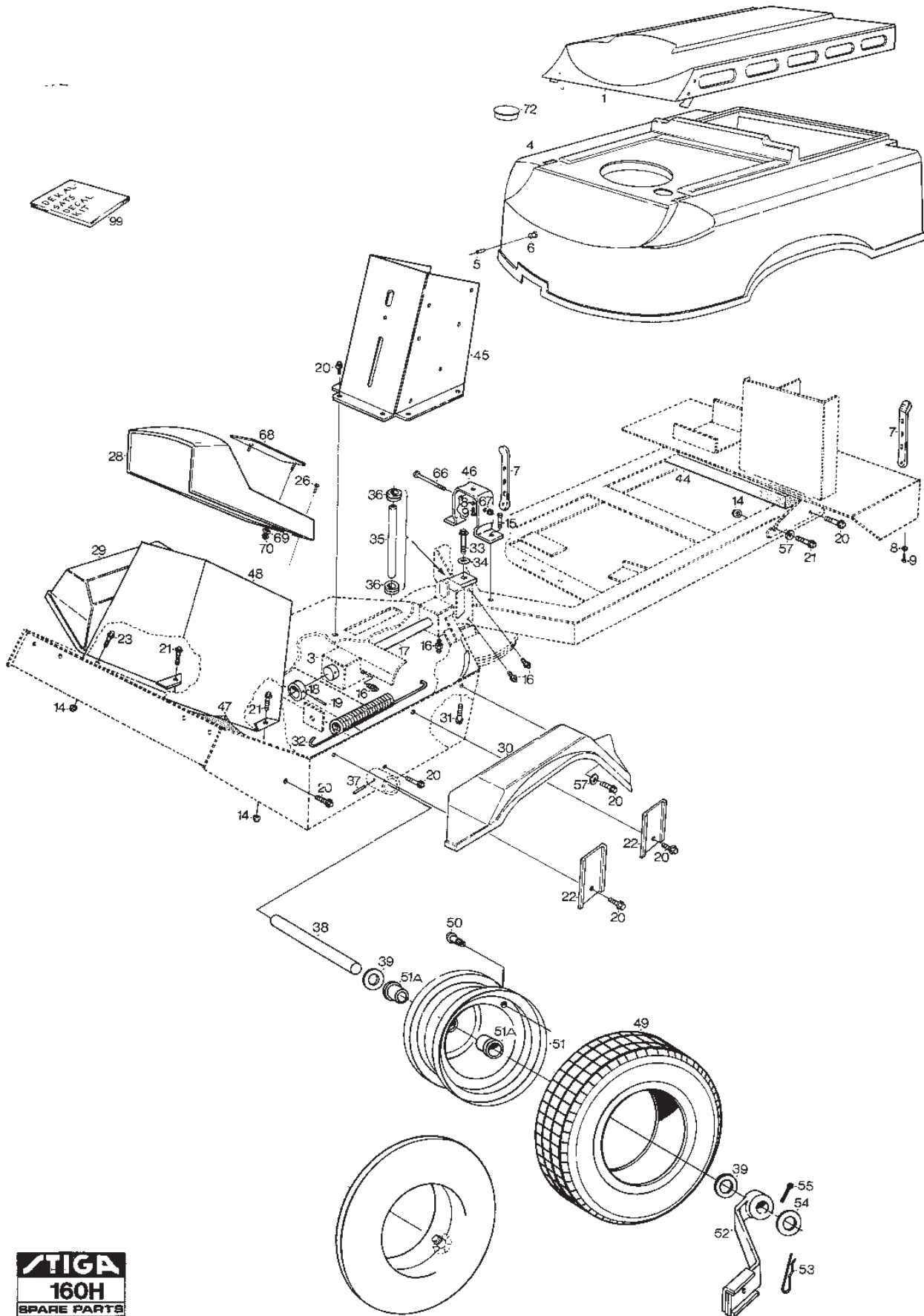
| Utgåva<br>Issue<br>37 - 2014 |               | Cylinder Vevhus   | Cylinder Crankcase |                   |                     |
|------------------------------|---------------|-------------------|--------------------|-------------------|---------------------|
| Pos.<br>Fig.                 | Antal<br>Q.ty | Art nr<br>Part No | Benämning          | Description       | Anmärkning<br>Notes |
| 1030                         | 2             | 805342            | Axel               | Shaft             |                     |
| 166                          | 4             | 805343            | Stud               | Stud              |                     |
| 1030                         | 2             | 805343            | Stud               | Stud              |                     |
| 1026                         | 2             | 805352            | Stötstång (stål)   | Push rod (steel)  |                     |
| 1026                         | 2             | 805352            | Stötstång (stål)   | Push rod (steel)  |                     |
| 1026                         | 2             | 805352            | Stötstång (stål)   | Push rod (steel)  |                     |
| 45                           | 4             | 805354            | Valve tappet       | Valve tappet      |                     |
| 11                           | 1             | 805362            | Rör                | Tube              |                     |
| 9                            | 1             | 805379            | Packning           | Gasket            |                     |
| 562                          | 1             | 805381            | Skruv              | Screw             |                     |
| 592                          | 1             | 805383            | Mutter             | Nut               |                     |
| 32                           | 4             | 805395            | Skruv              | Screw             |                     |
| 305                          | 12            | 805406            | Skruv              | Screw             |                     |
| 552                          | 1             | 805412            | Bussning           | Bushing           |                     |
| 552A                         | 1             | 805413            | Bussning           | Bushing           |                     |
| 634                          | 1             | 805416            | Bricka             | Washer            |                     |
| 614                          | 1             | 805417            | Saxpinne           | Cotter pin        |                     |
| 167                          | 4             | 805420            | Bricka             | Washer            |                     |
| 189                          | 2             | 805449            | Bricka             | Washer            |                     |
| 722                          | 1             | 805483            | Seal               | Seal              |                     |
| 727                          | 1             | 805505            | Shield             | Shield            |                     |
| 635                          | 2             | 805529            | Tändstiftsskydd    | Spark plug elbow  |                     |
| 1026                         | 2             | 805617            | Stötstång (alum)   | Push rod (alum)   |                     |
| 1026                         | 2             | 805617            | Stötstång (alum)   | Push rod (alum)   |                     |
| 1026                         | 2             | 805617            | Stötstång (alum)   | Push rod (alum)   |                     |
| 1004                         | 1             | 805632            | Air inlet tube     | Air inlet tube    |                     |
| 879                          | 1             | 805636            | Förgasarkåpa       | Carburettor Cover |                     |
| 741                          | 1             | 805675            | Gear               | Gear              |                     |
| 866                          | 1             | 805738            | Valley cover       | Valley cover      |                     |
| 10                           | 1             | 805751            | Skruv              | Screw             |                     |
| 1                            | 1             | 807511            | Cylinder           | Cylinder          |                     |
| 523                          | 1             | 807516            | Oil dipstick       | Oil dipstick      |                     |
| 227                          | 1             | 807528            | Governor lever     | Governor lever    |                     |
| 46                           | 1             | 807542            | Kamaxel            | Camshaft          |                     |
| 1024                         | 1             | 807546            | Oil pump           | Oil pump          |                     |
| 1029                         | 4             | 807557            | Vipparm            | Rocker arm        |                     |
| 16                           | 1             | 807586            | Crankshaft         | Crankshaft        |                     |
| 616                          | 1             | 807596            | Governor fork      | Governor fork     |                     |
| 525                          | 1             | 807611            | Påfyllningsrör     | Oil filler tube   |                     |
| 25                           | 2             | 807619            | Kolv               | Piston            | STD                 |
| 25                           | 2             | 807619            | Kolv               | Piston            | STD                 |
| 26                           | 2             | 807620            | Ring set           | Ring set          | STD                 |
| 26                           | 2             | 807620            | Ring set           | Ring set          | STD                 |
| 26                           | 2             | 807620            | Ring set           | Ring set          | STD                 |
| 28                           | 2             | 807621            | Kolvsprint         | Piston Pin        |                     |
| 29                           | 2             | 807622            | Connecting Rod     | Connecting Rod    |                     |
| 192                          | 2             | 807623            | Skruv              | Screw             |                     |
| 18                           | 1             | 807638            | Crankcase          | Crankcase         |                     |
| 573                          | 1             | 807663            | Back plate         | Back plate        |                     |



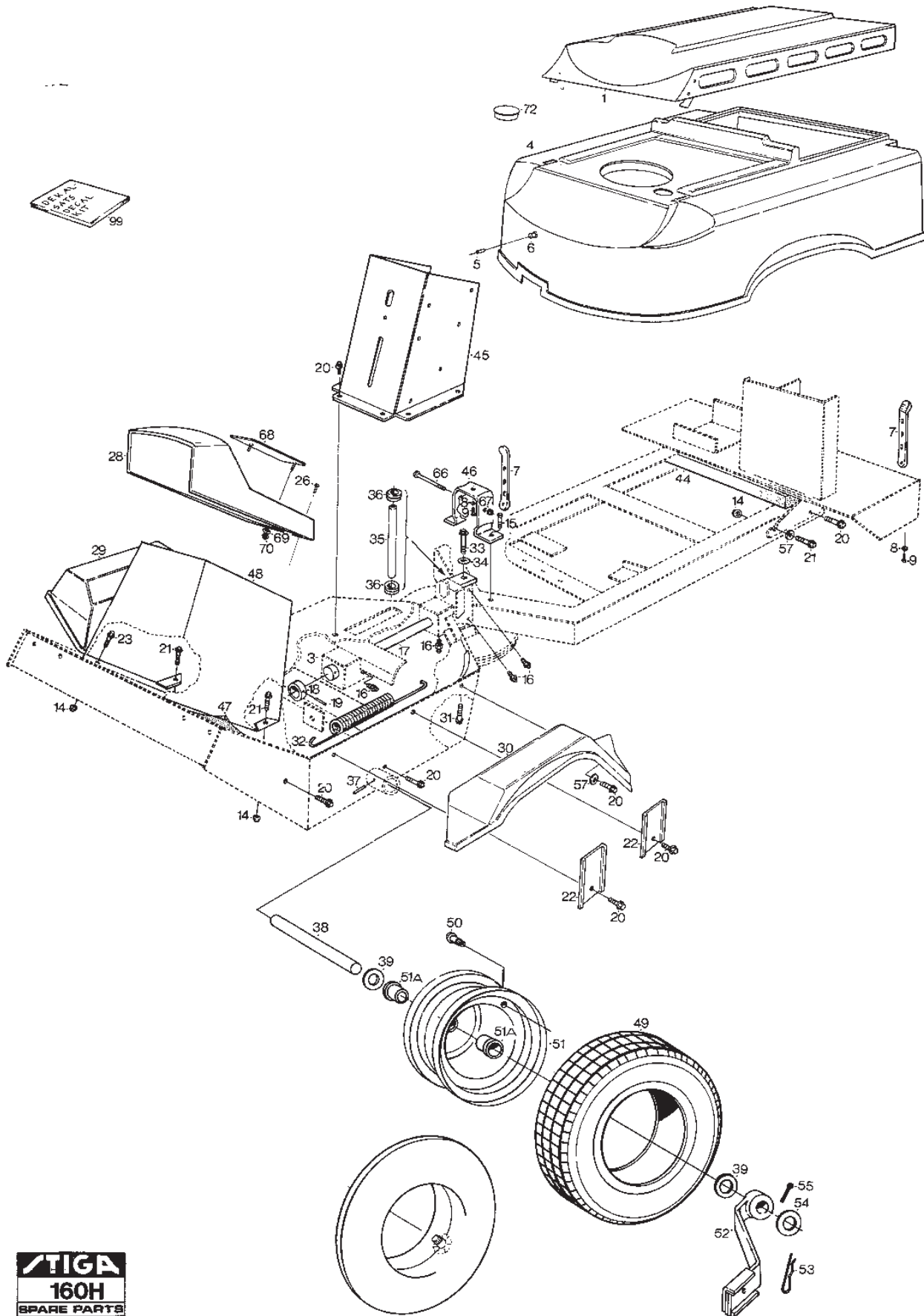
**STIGA**  
**371A**  
SPARE PARTS

358  
GASKET SET

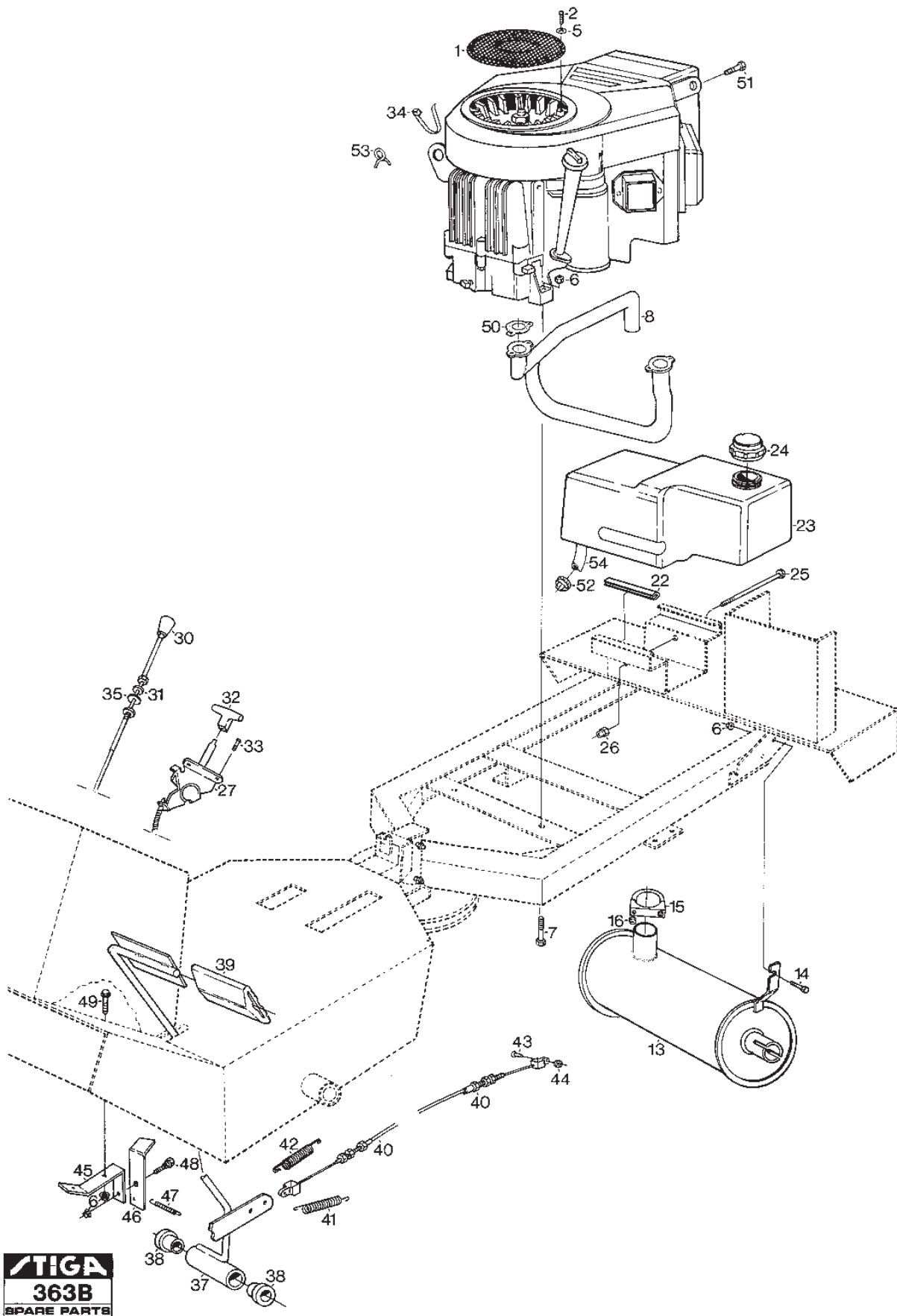
| Utgåva<br>Issue<br>37 - 2014 |               | Cylinder Vevhus   |                   | Cylinder Crankcase |                     |
|------------------------------|---------------|-------------------|-------------------|--------------------|---------------------|
| Pos.<br>Fig.                 | Antal<br>Q.ty | Art nr<br>Part No | Benämning         | Description        | Anmärkning<br>Notes |
| 1023                         | 1             | 807665            | Valve cover       | Valve cover        | Cylinder no. 1      |
| 1023                         | 1             | 807665            | Valve cover       | Valve cover        | Cylinder no.1       |
| 1023                         | 1             | 807665            | Valve cover       | Valve cover        | Cylinder no. 1      |
| 8                            | 1             | 807795            | Vevhusventilation | Breather           |                     |
| 25                           | 2             | 807807            | Kolv              | Piston             | 0.010               |
| 25                           | 2             | 807807            | Kolv              | Piston             | 0.010               |
| 25                           | 2             | 807807            | Kolv              | Piston             | 0.010               |
| 26                           | 2             | 807808            | Ring set          | Ring set           | 0.010               |
| 26                           | 2             | 807808            | Ring set          | Ring set           | 0.010               |
| 26                           | 2             | 807808            | Ring set          | Ring set           | 0.010               |
| 25                           | 2             | 807809            | Kolv              | Piston             | 0.020               |
| 25                           | 2             | 807809            | Kolv              | Piston             | 0.020               |
| 25                           | 2             | 807809            | Kolv              | Piston             | 0.020               |
| 26                           | 2             | 807810            | Ring set          | Ring set           | 0.020               |
| 26                           | 2             | 807810            | Ring set          | Ring set           | 0.020               |
| 26                           | 2             | 807810            | Ring set          | Ring set           | 0.020               |
| 25                           | 2             | 807811            | Kolv              | Piston             | 0.030               |
| 25                           | 2             | 807811            | Kolv              | Piston             | 0.030               |
| 25                           | 2             | 807811            | Kolv              | Piston             | 0.030               |
| 26                           | 2             | 807812            | Ring set          | Ring set           | 0.030               |
| 26                           | 2             | 807812            | Ring set          | Ring set           | 0.030               |
| 26                           | 2             | 807812            | Ring set          | Ring set           | 0.030               |
| 308                          | 1             | 807868            | Ledplåt           | Air Guide          | Pos 308.1           |
| 308                          | 1             | 807868            | Ledplåt           | Air Guide          | Pos. 308.1          |
| 308                          | 1             | 807869            | Ledplåt           | Air Guide          | Pos 308.2           |
| 308                          | 1             | 807869            | Ledplåt           | Air Guide          | Pos 308.2           |
| 304                          | 1             | 807899            | Blower housing    | Blower housing     |                     |
| 7                            | 2             | 807986            | Packning          | Gasket             |                     |
| 5.1                          | 1             | 807987            | Topplöck          | Cylinder Head      |                     |
| 5.2                          | 1             | 807988            | Topplöck          | Cylinder Head      |                     |
| 358                          | 1             | 807989            | Packningssats     | Gasket set         | Delarna märkta S    |



| Utgåva<br>Issue<br>37 - 2014 |               | Ram               |                                 | Frame                     |                      |
|------------------------------|---------------|-------------------|---------------------------------|---------------------------|----------------------|
| Pos.<br>Fig.                 | Antal<br>Q.ty | Art nr<br>Part No | Benämning                       | Description               | Anmärkning<br>Notes  |
| 53                           | 2             | 9598-0003-02      | Spring Pin                      | Spring Pin                |                      |
| 18                           | 1             | 1134-0031-00      | Ledaxelstopp                    | Pivot Shaft Stop          |                      |
| 35                           | 1             | 1134-0057-00      | Centrumaxel                     | Centre Shaft              |                      |
| 38                           | 2             | 1134-0075-01      | Framaxeltapp                    | Front Axle                |                      |
| 22                           | 4             | 1134-0225-00      | Stödplåt                        | Support Plate             |                      |
| 39                           | 4             | 1134-0341-01      | Bricka                          | Washer                    |                      |
| 52                           | 2             | 1134-1183-04      | 1134-3710-01+9599-0080-02       | 1134-3710-01+9599-0080-02 |                      |
| 17                           | 1             | 1134-1757-07      | Midjegaffel M Ledaxel 5-01 H-10 | Clevis                    |                      |
| 30                           | 1             | 1134-2174-01      | Framskärm Vänster1-00           | Mudguard,Lh (Yellow)      |                      |
| 32                           | 1             | 1134-2174-01      | Framskärm Vänster1-00           | Mudguard,Lh (Yellow)      |                      |
| 29                           | 1             | 1134-2174-02      | Framskärm Höger1-00             | Mudguard,Rh (Yellow)      |                      |
| 1                            | 1             | 1134-2215-01      | Motorlucka5-01                  | Engine Cover (Black)      |                      |
| 48                           | 1             | 1134-2833-05      | Frontdekor                      | Front Trim Plate          |                      |
| 68                           | 1             | 1134-2870-01      | Täckbricka Kpl5-01              | Cover Plate               |                      |
| 51                           | 2             | 1134-2888-01      | Fälg kpl                        | Rim assy                  |                      |
| 72                           | 1             | 1134-2944-01      | Plugg                           | Plug                      |                      |
| 46                           | 1             | 1134-2951-01      | Huvstöd Par                     | Engine Cover Support      |                      |
| 4                            | 1             | 1134-3215-01      | Motorhuv 1-00                   | Engine Hood               |                      |
| 45                           | 1             | 1134-3252-02      | Sitskonsol-gul                  | Seat Bracket-Yellow       |                      |
| 3                            | 1             | 1134-3411-03      | Främre ram                      | Front frame               |                      |
| 47                           | 1             | 1134-3546-01      | Durkmatta Park Hst              | Floor Mat                 |                      |
| 99                           | 1             | 1134-3558-01      | Dekalsats                       | Label Kit                 |                      |
| 7                            | 1             | 1134-9028-01      | Gummistropp (3 St)              | Rubber Strap (3 Pcs)      |                      |
| 28                           | 1             | 1134-3371-02      | Instrumentpanel (P16/18)        | Panel                     |                      |
| 6                            | 3             | 9405-0029-00      | Knopp                           | Knob                      |                      |
| 16                           | 4             | 9501-0500-00      | Smörjkopp Kort Rak              | Grease Dispenser          |                      |
| 49                           | 2             | 9545-0116-00      | Däck                            | Tyre                      |                      |
| 49                           | 1             | 9545-0203-00      | Innerslang                      | Inner Tube                | Reservdel/spare part |
| 50                           | 2             | 9545-0500-00      | Ventil                          | Valve Assy.               |                      |
| 36                           | 2             | 9547-0001-00      | Ledlager Ge17Es                 | Bearing                   |                      |
| 51A                          | 2             | 9549-0036-00      | Kullager                        | Ball Bearing              |                      |
| 37                           | 2             | 9595-0258-00      | Spännstift                      | Locating Pin              |                      |
| 19                           | 1             | 9595-0262-00      | Spännstift                      | Locating Pin              |                      |
| 55                           | 2             | 9599-0085-02      | SaxSprint 4X30 Fz               | Split Pin                 |                      |
| 5                            | 3             | 9632-0516-00      | Popnit Tap/D/Bs 416 Gf9.5       | Pop Rivet                 |                      |
| 34                           | 1             | 9699-0035-02      | Bricka                          | Washer                    |                      |
| 54                           | 2             | 9699-0042-02      | Bricka                          | Washer                    |                      |
| 57                           | 3             | 9699-0056-02      | Bricka                          | Washer                    |                      |
| 69                           | 2             | 9699-0062-02      | Bricka                          | Washer                    |                      |
| 8                            | 3             | 9699-0087-02      | Bricka                          | Washer                    |                      |
| 70                           | 2             | 9739-0631-22      | Strålkastare   Mutter           | Working lamp   Nut        |                      |
| 14                           | 8             | 9739-0831-22      | Mutter                          | Nut                       |                      |
| 67                           | 1             | 9747-0631-02      | Mutter   Låsmutter              | Nut                       |                      |
| 9                            | 3             | 9849-8013-16      | Skruv                           | Screw                     |                      |
| 26                           | 2             | 9849-8013-16      | Skruv                           | Screw                     |                      |
| 15                           | 2             | 9942-0612-16      | Skruv                           | Screw                     |                      |
| 20                           | 16            | 9942-0816-16      | Skruv                           | Screw                     |                      |
| 21                           | 4             | 9959-0816-16      | Skruv                           | Screw                     |                      |
| 23                           | 4             | 9959-0820-16      | Skruv                           | Screw                     |                      |



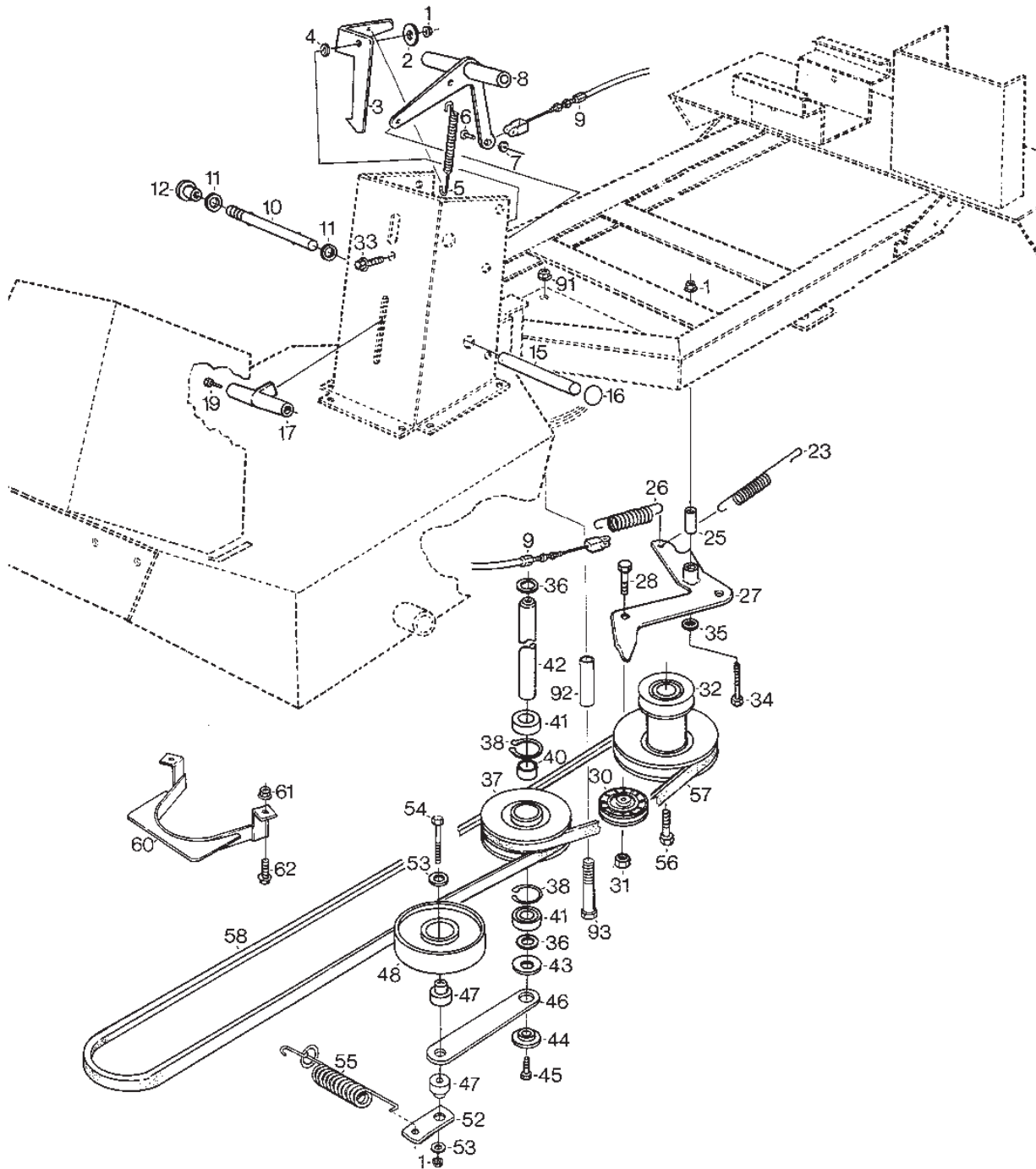
| Utgåva<br>Issue<br>37 - 2014 |               | Ram<br>Frame      |           |             |                     |
|------------------------------|---------------|-------------------|-----------|-------------|---------------------|
| Pos.<br>Fig.                 | Antal<br>Q.ty | Art nr<br>Part No | Benämning | Description | Anmärkning<br>Notes |
| 33                           | 1             | 9959-1020-16      | Skruv     | Screw       |                     |
| 31                           | 1             | 9959-1025-16      | Skruv     | Screw       |                     |
| 66                           | 1             | 9997-0670-12      | Skruv     | Screw       |                     |



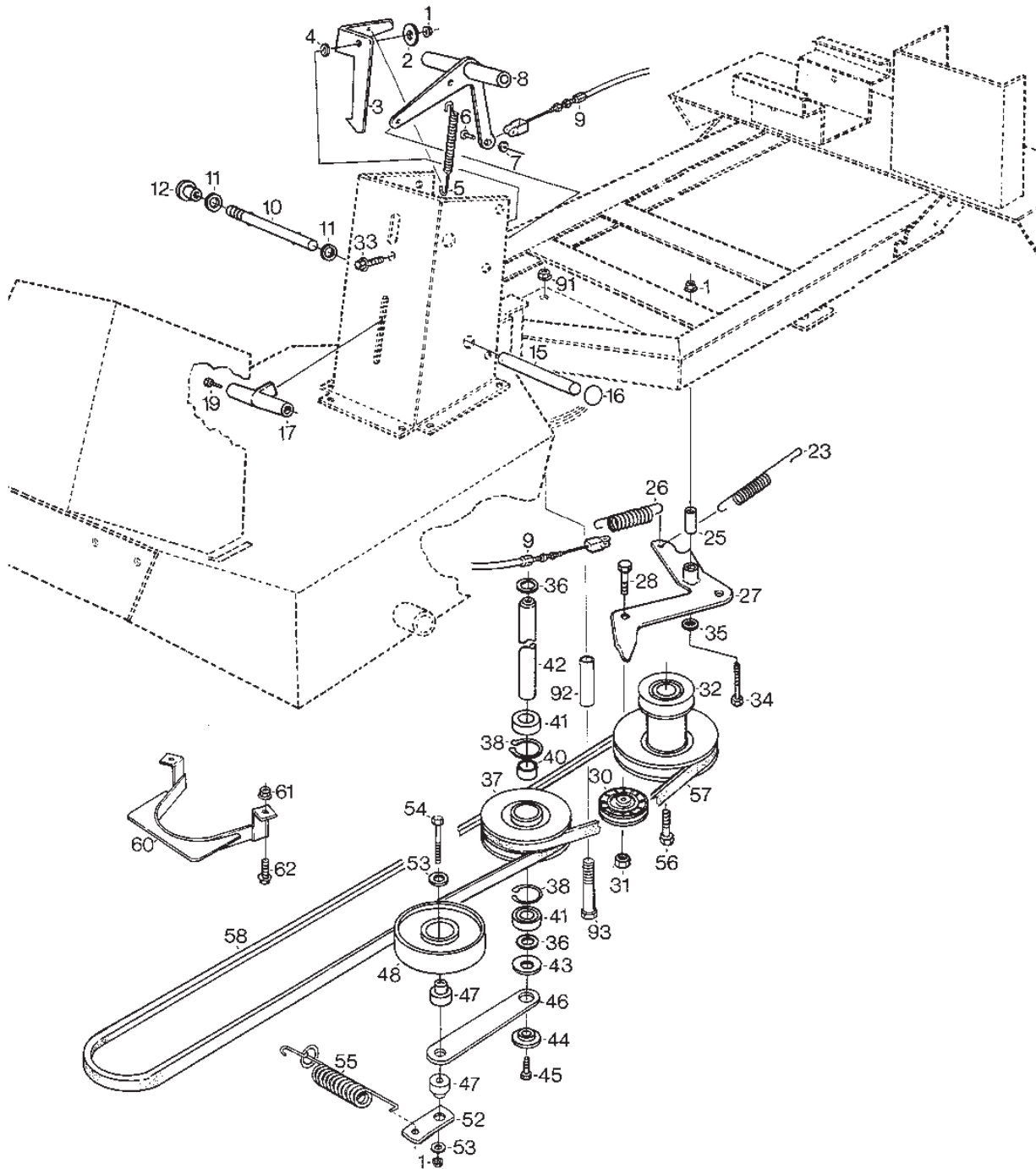
**STIGA**  
**363B**  
SPARE PARTS



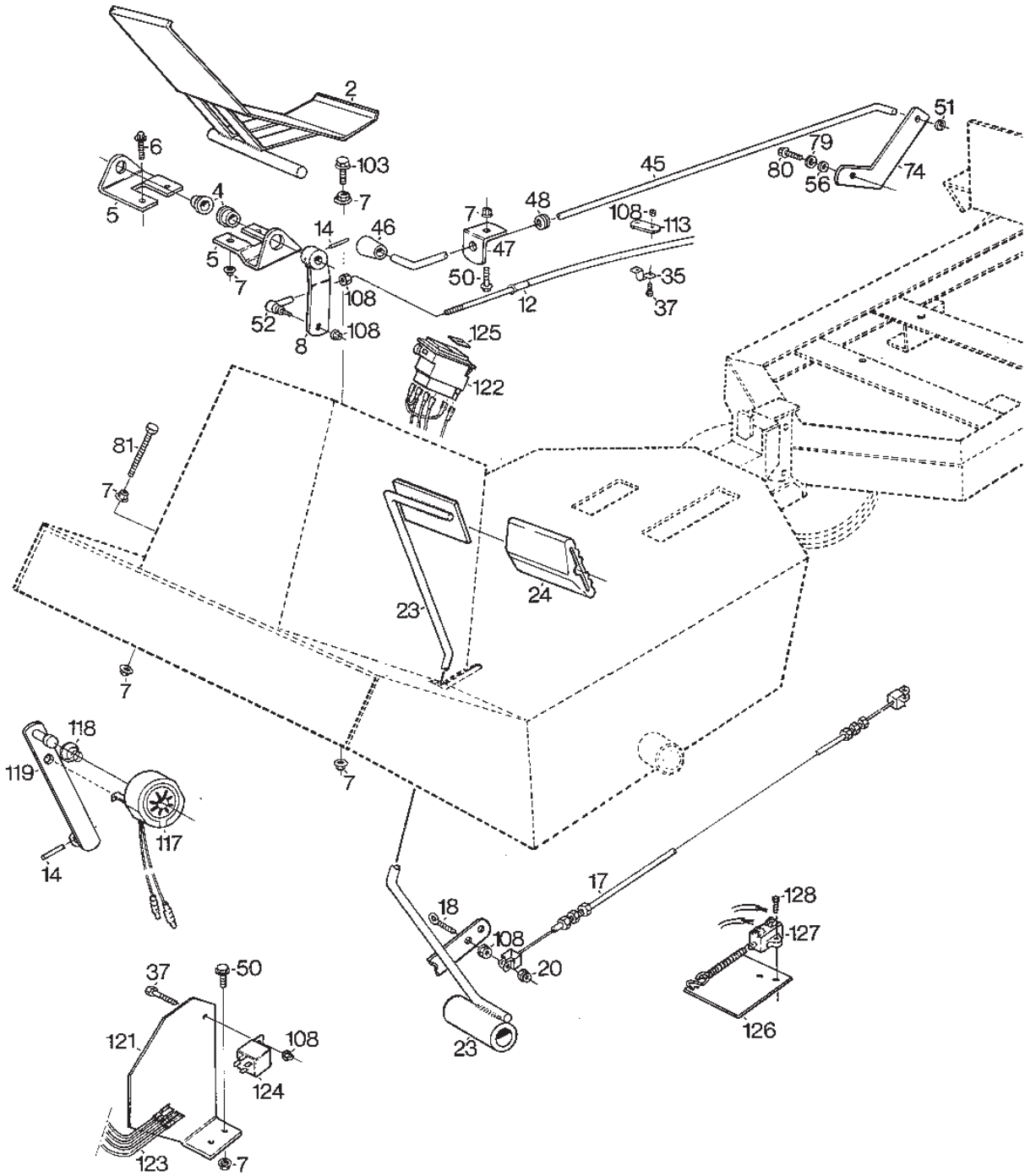
| Utgåva<br>Issue<br>37 - 2014 |               | Motor Bromssystem |                           | Engine Brake System        |                     |
|------------------------------|---------------|-------------------|---------------------------|----------------------------|---------------------|
| Pos.<br>Fig.                 | Antal<br>Q.ty | Art nr<br>Part No | Benämning                 | Description                | Anmärkning<br>Notes |
| 44                           | 1             | 9675-0008-02      | Starlockbricka            | Starlock                   |                     |
| 47                           | 1             | 1131-1497-01      | Fjäder                    | Brake Spring               |                     |
| 41                           | 1             | 1131-1506-00      | Fjäder                    | Spring                     |                     |
| 48                           | 1             | 1134-0245-00      | Skruv                     | Screw                      |                     |
| 39                           | 1             | 1134-0269-00      | Pedalgummi                | Pedal Rubber               |                     |
| 45                           | 1             | 1134-1184-02      | Stag F Parkeringsbroms    | Stay                       |                     |
| 42                           | 1             | 1134-1242-02      | Fjäder                    | Spring                     |                     |
| 27                           | 1             | 1134-1975-10      | Gasreglage                | Throttle Cable             |                     |
| 40                           | 1             | 1134-2030-10      | Motorbromswire            | Cable, Thread Engine Brake |                     |
| 46                           | 1             | 1134-2151-02      | Spärr                     | Stop                       |                     |
| 30                           | 1             | 1134-2872-01      | Chokereglage Kpl.         | Choke Control              |                     |
| 24                           | 1             | 1134-2877-02      | Tanklock                  | Fuel Tank Cap              |                     |
| 1                            | 1             | 1134-2878-01      | Fläktskydd                | Fan Cover                  |                     |
| 8                            | 1             | 1134-2879-01      | Avgasrör                  | Fuel Tank Cap              |                     |
| 23                           | 1             | 1134-2886-01      | Bränsletank               | Fuel tank                  |                     |
| 22                           | 2             | 1134-2941-01      | Kantskyddslip S           | Protection Strip           |                     |
| 54                           | 1             | 1134-2975-01      | Bensinslang               | Fuel Tube                  |                     |
| 50                           | 2             | 1134-2988-01      | Avgaspackning             | Gasket-Exhaust             |                     |
| 52                           | 1             | 1134-2998-01      | Hose clamp                | Hose clamp                 |                     |
| 13                           | 1             | 1134-3244-01      | Ljuddämpare               | Silencer                   |                     |
| 37                           | 1             | 1134-3450-01      | Bromspedal (vä sida)      | Brake pedal (L. H.)        |                     |
| 38                           | 1             | 1134-9024-01      | Lager (4 St)              | Bearing                    |                     |
| 32                           | 1             | 9403-0035-10      | Knopp                     | Knob                       |                     |
| 15                           | 1             | 9578-0011-00      | Klämma F Ljuddämp D35 Rid | Clamp                      |                     |
| 53                           | 1             | 9578-0016-00      | Slangklämma               | Clamp                      |                     |
| 34                           | 1             | 9579-0008-00      | Buntband                  | Cable Holder               |                     |
| 43                           | 1             | 9646-0036-22      | Nit Kn 5X12               | Rivet                      |                     |
| 31                           | 1             | 9699-0028-02      | Bricka                    | Washer                     |                     |
| 35                           | 1             | 9699-0062-02      | Bricka                    | Washer                     |                     |
| 5                            | 4             | 9699-0099-02      | Bricka                    | Washer                     |                     |
| 6                            | 7             | 9739-0831-22      | Mutter                    | Nut                        |                     |
| 26                           | 1             | 9747-0831-02      | Mutter   Låsmutter        | Nut                        |                     |
| 16                           | 2             | 9799-0831-02      | Mutter                    | Nut                        |                     |
| 33                           | 2             | 9849-8013-16      | Skruv                     | Screw                      |                     |
| 14                           | 1             | 9959-0816-16      | Skruv                     | Screw                      |                     |
| 49                           | 1             | 9959-0820-16      | Skruv                     | Screw                      |                     |
| 2                            | 4             | 9997-0512-16      | Skruv                     | Screw                      |                     |
| 51                           | 1             | 9997-0520-16      | Skruv                     | Screw                      |                     |
| 25                           | 1             | 9997-0812-02      | Skruv                     | Screw                      |                     |
| 7                            | 4             | 9997-0835-12      | Skruv                     | Screw                      |                     |



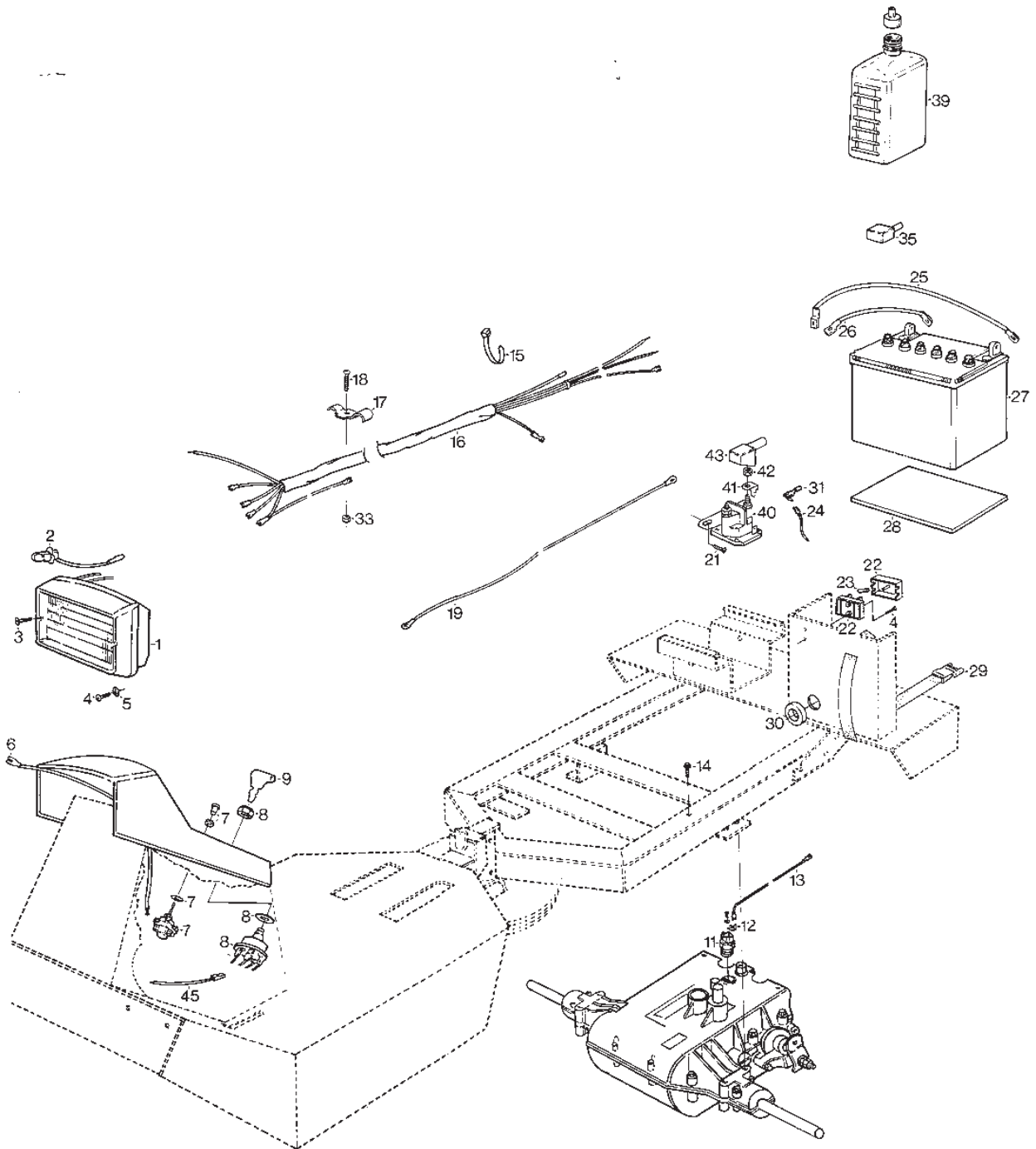
| Utgåva<br>Issue<br>37 - 2014 |               | Power Take-Off    |                       |                         |                     |
|------------------------------|---------------|-------------------|-----------------------|-------------------------|---------------------|
| Pos.<br>Fig.                 | Antal<br>Q.ty | Art nr<br>Part No | Benämning             | Description             | Anmärkning<br>Notes |
| 16                           | 2             | 9672-0004-02      | Starlock              | Starlock                |                     |
| 7                            | 1             | 9675-0008-02      | Starlockbricka        | Starlock                |                     |
| 5                            | 1             | 1131-1497-01      | Fjäder                | Brake Spring            |                     |
| 15                           | 1             | 1134-0022-00      | Reglagestång          | Control Rod             |                     |
| 8                            | 1             | 1134-0027-01      | Reglagespak           | Control Lever           |                     |
| 92                           | 1             | 1134-0041-03      | Bussning              | Bushing                 |                     |
| 40                           | 1             | 1134-0051-09      | Distans               | Spacer                  |                     |
| 36                           | 2             | 1134-0052-00      | Distans               | Spacer                  |                     |
| 42                           | 1             | 1134-0057-00      | Centrumaxel           | Centre Shaft            |                     |
| 2                            | 1             | 1134-0143-00      | Bricka                | Washer                  |                     |
| 17                           | 1             | 1134-0153-00      | T-Handtag             | Handle Gear Shifter     |                     |
| 44                           | 1             | 1134-0222-00      | Bricka                | Washer                  |                     |
| 12                           | 1             | 1134-0583-00      | Knopp                 | Knob                    |                     |
| 26                           | 1             | 1134-1242-02      | Fjäder                | Spring                  |                     |
| 55                           | 1             | 1134-1322-01      | Fjäder                | Tensioning Wheel Spring |                     |
| 25                           | 1             | 1134-1565-01      | Distans               | Spacer                  |                     |
| 46                           | 1             | 1134-1730-01      | Spännhjulssarm        | Tensioning Wheel Arm    |                     |
| 37                           | 1             | 1134-1769-02      | Remskiva              | Belt Pulley             |                     |
| 48                           | 1             | 1134-1770-01      | Spännhjul Kpl         | Tension Roller          |                     |
| 47                           | 2             | 1134-1888-01      | Distans               | Spacer                  |                     |
| 52                           | 1             | 1134-1893-01      | Fjäder                | Spring                  |                     |
| 10                           | 1             | 1134-1972-01      | Urkopplingsspak       | Disengaging Lever       |                     |
| 27                           | 1             | 1134-2018-01      | Spännarm Kpl 5-01 24  | Tensioning Arm          |                     |
| 32                           | 1             | 1134-2020-01      | Motorremskiva         | Engine Pulley           |                     |
| 3                            | 1             | 1134-2453-01      | Låshake               | Locking Pawl            |                     |
| 9                            | 1             | 1134-3573-01      | Wire (Kraft)          | Cable                   |                     |
| 60                           | 1             | 1134-3654-01      | Fingerskydd 5-01 24   | Guard                   | Tyskland (DE)       |
| 58                           | 1             | 1134-9011-01      | Kilrem                | V-Belt                  | = 9585-0054-00      |
| 57                           | 1             | 1134-9012-01      | Kilrem                | V-Belt                  | = 9585-0056-00      |
| 30                           | 1             | 1134-9027-01      | Spännrulle (Svart)    | Tension Roller (Black)  |                     |
| 23                           | 1             | 4231-0013-00      | Fjäder                | Spring                  |                     |
| 41                           | 2             | 9549-0019-00      | Kullager              | Ball Bearing            |                     |
| 6                            | 1             | 9646-0036-22      | Nit Kn 5X12           | Rivet                   |                     |
| 38                           | 2             | 9651-0040-04      | Spårring Sgh 40       | Circlip                 |                     |
| 4                            | 1             | 9695-0002-00      | Bricka                | Washer                  |                     |
| 11                           | 2             | 9699-0025-02      | Bricka                | Washer                  |                     |
| 35                           | 1             | 9699-0056-02      | Bricka                | Washer                  |                     |
| 53                           | 2             | 9699-0062-02      | Bricka                | Washer                  |                     |
| 43                           | 1             | 9699-0109-02      | Bricka                | Washer                  |                     |
| 61                           | 2             | 9739-0631-22      | Strålkastare   Mutter | Working lamp   Nut      | Tyskland (DE)       |
| 1                            | 3             | 9739-0831-22      | Mutter                | Nut                     |                     |
| 91                           | 1             | 9739-1031-22      | Mutter                | Nut                     |                     |
| 31                           | 1             | 9799-1031-02      | Mutter                | Nut                     |                     |
| 19                           | 1             | 9847-8016-16      | Skruv                 | Screw                   |                     |
| 33                           | 1             | 9959-0820-16      | Skruv                 | Screw                   |                     |
| 45                           | 1             | 9959-1025-16      | Skruv                 | Screw                   |                     |
| 56                           | 1             | 9987-5332-16      | Skruv                 | Screw                   |                     |
| 56                           | 1             | 9987-5338-12      | Skruv                 | Screw                   |                     |
| 62                           | 2             | 9997-0616-16      | Skruv                 | Screw                   | Tyskland (DE)       |



| Utgåva<br>Issue<br>37 - 2014 |               | Power Take-Off    |           |             |                     |
|------------------------------|---------------|-------------------|-----------|-------------|---------------------|
| Pos.<br>Fig.                 | Antal<br>Q.ty | Art nr<br>Part No | Benämning | Description | Anmärkning<br>Notes |
| 34                           | 1             | 9997-0850-16      | Skruv     | Screw       |                     |
| 54                           | 1             | 9997-0865-12      | Skruv     | Screw       |                     |
| 28                           | 1             | 9997-1030-16      | Skruv     | Screw       |                     |
| 93                           | 1             | 9997-1070-12      | Skruv     | Screw       |                     |
| 32                           | 1             | 9997-1450-16      | Skruv     | Screw       | Tillbehör/Accessory |
| 32                           | 1             | 9997-1450-16      | Skruv     | Screw       | Tillbehör/Accessory |



| Utgåva<br>Issue<br>37 - 2014 |               | Drivpedal Farthållare |                            | Drive Pedal Cruise Control |                     |
|------------------------------|---------------|-----------------------|----------------------------|----------------------------|---------------------|
| Pos.<br>Fig.                 | Antal<br>Q.ty | Art nr<br>Part No     | Benämning                  | Description                | Anmärkning<br>Notes |
| 51                           | 1             | 9675-0012-02          | Starlock                   | Locking washer             |                     |
| 35                           | 1             | 1134-0266-00          | Fästbygel                  | Attaching Clamp            |                     |
| 113                          | 1             | 1134-0267-00          | Underläggsbleck            | Clamp Plate                |                     |
| 24                           | 1             | 1134-0269-00          | Pedalgummi                 | Pedal Rubber               |                     |
| 17                           | 1             | 1134-2030-04          | Kopplingswire              | Clutch Cable               |                     |
| 5                            | 2             | 1134-2700-01          | Fäste                      | Bracket                    |                     |
| 8                            | 1             | 1134-2703-01          | Arm Kpl.                   | Arm                        |                     |
| 74                           | 1             | 1134-2707-01          | Arm Kpl.                   | Arm                        |                     |
| 45                           | 1             | 1134-2721-01          | Reglagestång               | Control rod                |                     |
| 2                            | 1             | 1134-2739-01          | Pedal                      | Pedal                      |                     |
| 56                           | 1             | 1134-2758-01          | Distans                    | Spacer                     |                     |
| 12                           | 1             | 1134-2766-01          | Fartreglagewire            | Speed Control Wire         |                     |
| 4                            | 2             | 1134-2780-01          | Lager                      | Bearing                    |                     |
| 46                           | 1             | 1134-2786-01          | Knopp                      | Knob                       |                     |
| 47                           | 1             | 1134-2789-01          | Fäste                      | Bracket                    |                     |
| 48                           | 1             | 1134-2790-01          | Kabelgenomföring           | Cable Protection           |                     |
| 122                          | 1             | 1134-2857-01          | Brytare                    | Switch                     |                     |
| 118                          | 1             | 1134-2858-01          | Fjäder                     | Spring                     |                     |
| 117                          | 1             | 1134-2859-01          | Magnet                     | Magneto                    |                     |
| 119                          | 1             | 1134-2862-01          | Arm Kpl.                   | Lever                      |                     |
| 121                          | 1             | 1134-2866-01          | Platte                     | Plate                      |                     |
| 123                          | 1             | 1134-2867-01          | Kablage                    | Cover Plate                |                     |
| 124                          | 1             | 1134-2871-01          | Relä   Relä                | Relay                      |                     |
| 125                          | 1             | 1134-2902-01          | Symbolplatta (Grön)        | Symbol Plate-Cruise Contr  |                     |
| 127                          | 1             | 1134-2932-01          | Brytare                    | Switch                     |                     |
| 126                          | 1             | 1134-2933-01          | Brytarkonsol               | Switch console             |                     |
| 18                           | 1             | 1134-2991-01          | Skruvögla                  | Eye Bolt                   |                     |
| 23                           | 1             | 1134-3450-01          | Bromspedal (vä sida)       | Brake pedal (L. H.)        |                     |
| 52                           | 1             | 9570-0001-00          | Vinkellänk As8 Din 71802M5 | Elbow Link                 |                     |
| 14                           | 2             | 9595-0235-00          | Spännstift                 | Pin                        |                     |
| 79                           | 1             | 9699-0090-02          | Bricka                     | Washer                     |                     |
| 108                          | 6             | 9739-0531-22          | Mutter                     | Nut                        |                     |
| 7                            | 9             | 9739-0831-22          | Mutter                     | Nut                        |                     |
| 20                           | 1             | 9747-0531-02          | Mutter                     | Nut                        |                     |
| 128                          | 2             | 9849-7819-16          | Skruv                      | Screw                      |                     |
| 50                           | 3             | 9959-0816-16          | Skruv                      | Screw                      |                     |
| 6                            | 4             | 9959-0820-16          | Skruv                      | Screw                      |                     |
| 80                           | 1             | 9959-0830-16          | Skruv                      | Screw                      |                     |
| 37                           | 3             | 9997-0520-16          | Skruv                      | Screw                      |                     |
| 103                          | 1             | 9997-0835-12          | Skruv                      | Screw                      |                     |
| 81                           | 1             | 9997-0870-16          | Skruv                      | Screw                      |                     |

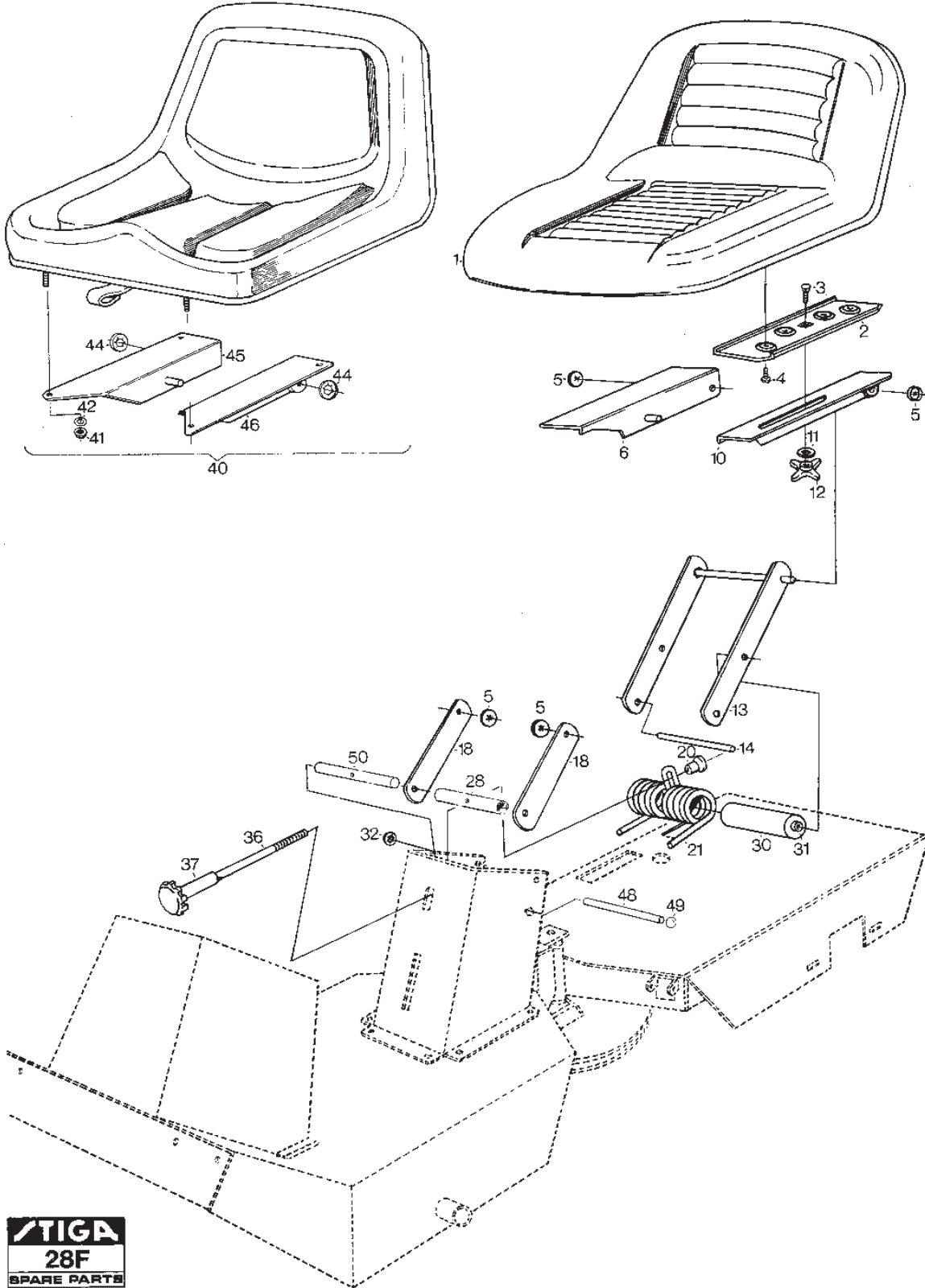




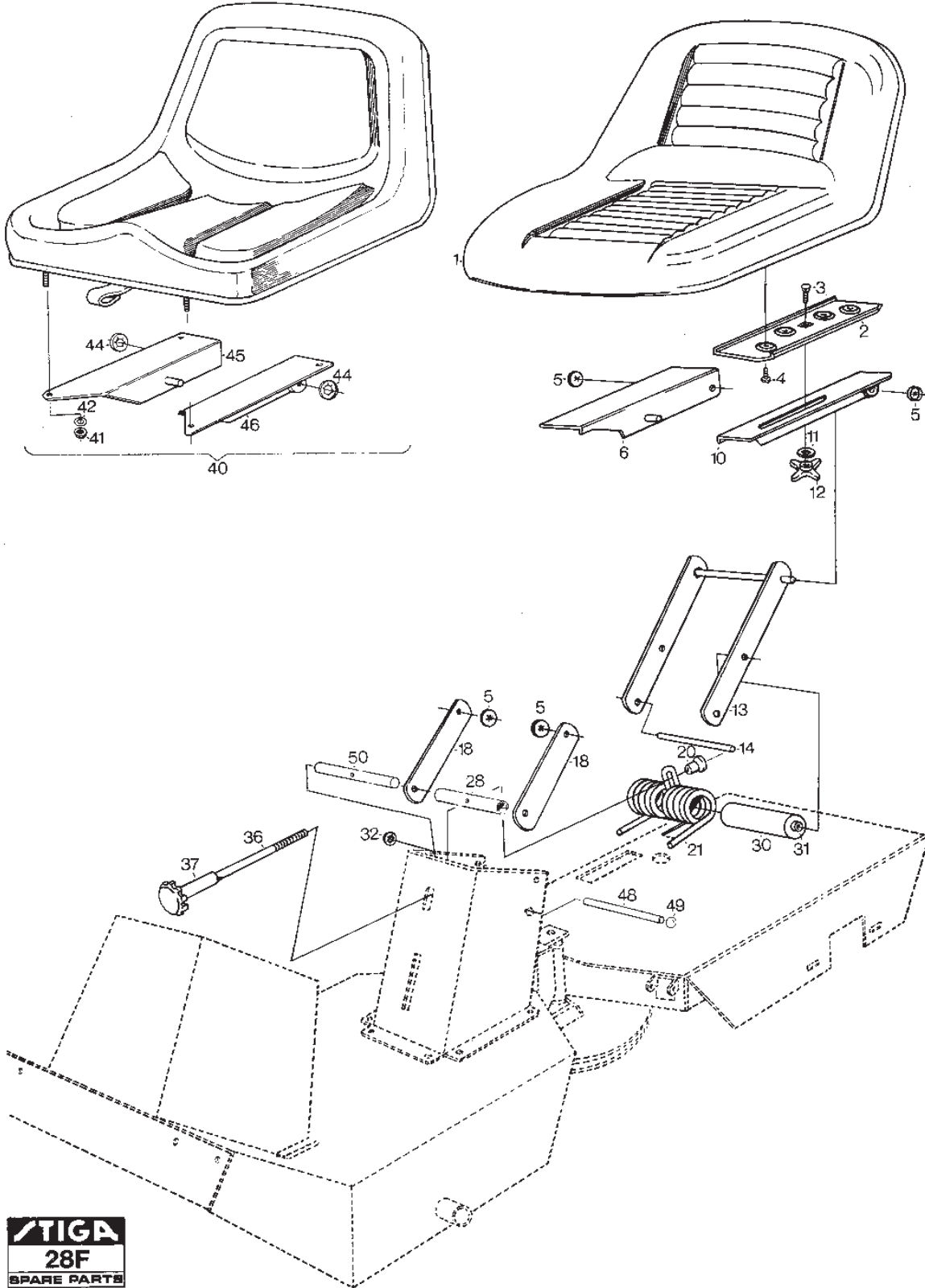
| Utgåva<br>Issue<br>37 - 2014 |               | Elsystem<br>Electrical System |                              |                                      |                     |
|------------------------------|---------------|-------------------------------|------------------------------|--------------------------------------|---------------------|
| Pos.<br>Fig.                 | Antal<br>Q.ty | Art nr<br>Part No             | Benämning                    | Description                          | Anmärkning<br>Notes |
| 26                           | 1             | 1134-0234-01                  | Batterikabel (+)             | Battery Cable (+)                    |                     |
| 1                            | 1             | 1134-1466-01                  | Strålkastare Kpl             | Headlamp Assy.                       |                     |
| 8                            | 1             | 1134-1814-01                  | Tändningslås Kpl Service     | Starter Switch Assy.                 |                     |
| 16                           | 1             | 1134-2040-01                  | Kabelhärva                   | Cable Harness                        |                     |
| 25                           | 1             | 1134-2042-01                  | Batterikabel (-)             | Battery Cable (-)                    |                     |
| 19                           | 1             | 1134-2084-02                  | Kabel                        | Cable                                |                     |
| 35                           | 1             | 1134-2310-01                  | Batteriskydd                 | Guard Cap (+)                        |                     |
| 28                           | 1             | 1134-2333-02                  | Batteriunderlägg             | Battery Pad                          |                     |
| 17                           | 1             | 1134-2782-01                  | Låsbleck                     | Clamp                                |                     |
| 9                            | 1             | 1134-2848-01                  | Tändningsnyckel              | Ignition Key                         |                     |
| 27                           | 1             | 1134-2892-01                  | Batteri                      | Battery                              |                     |
| 16                           | 1             | 1134-2905-01                  | Kabelhärva                   | Cable Harness                        |                     |
| 24                           | 1             | 1134-2915-01                  | Kabel                        | Wire                                 |                     |
| 13                           | 1             | 1134-2916-01                  | Kabel                        | Wire                                 |                     |
| 41                           | 1             | 1134-2947-01                  | Stift                        | Cable Connection                     |                     |
| 43                           | 1             | 1134-2948-01                  | Skyddshätta                  | Guard Cap                            |                     |
| 40                           | 1             | 1134-2962-01                  | Solenoid Kpl Service         | Solenoid                             |                     |
| 6                            | 1             | 1134-3082-01                  | Elkabel                      | Cable                                |                     |
| 45                           | 1             | 1134-3273-01                  | Kabel                        | Wire Lead                            |                     |
| 45                           | 1             | 1134-3279-01                  | Växelarm                     | Gear Shifter Arm                     |                     |
| 39                           | 2             | 1134-3300-01                  | Batterisyra                  | Battery Acid                         | 2 x 0.85 liter      |
| 7                            | 1             | 9400-0063-00                  | Brytare                      | Switch                               |                     |
| 29                           | 1             | 9400-0064-02                  | Batterihållare               | Battery Holder                       |                     |
| 2                            | 1             | 9400-0075-00                  | Glödlampa 12336H3 12         | Glow Lamp                            |                     |
| 23                           | 1             | 9400-0102-00                  | Säkring 8A                   | Fuse 8A                              |                     |
| 22                           | 1             | 9400-0103-00                  | Säkringshållare              | Fuse Box                             |                     |
| 30                           | 1             | 9400-0165-00                  | Kabelgenomföring O 26        | Cable Protector                      |                     |
| 12                           | 2             | 9400-0171-00                  | Fl.Stift 3868 F/45Msbk       | Cable Connection                     |                     |
| 15                           | 3             | 9579-0003-00                  | Kablage   Bunband   Buntband | Cable harness   Cable   Cable Holder |                     |
| 5                            | 2             | 9699-0099-02                  | Bricka                       | Washer                               |                     |
| 33                           | 1             | 9739-0531-22                  | Mutter                       | Nut                                  |                     |
| 42                           | 2             | 9794-5131-02                  | Mutter                       | Nut                                  |                     |
| 3                            | 2             | 9847-7922-16                  | Skruv                        | Screw                                |                     |
| 21                           | 2             | 9849-8009-16                  | Skruv                        | Screw                                |                     |
| 4                            | 4             | 9849-8013-16                  | Skruv                        | Screw                                |                     |
| 14                           | 1             | 9942-0612-16                  | Skruv                        | Screw                                |                     |
| 18                           | 1             | 9997-0520-16                  | Skruv                        | Screw                                |                     |



| Utgåva<br>Issue<br>37 - 2014 |               | Styrning<br>Steering |                    |                       |                     |
|------------------------------|---------------|----------------------|--------------------|-----------------------|---------------------|
| Pos.<br>Fig.                 | Antal<br>Q.ty | Art nr<br>Part No    | Benämning          | Description           | Anmärkning<br>Notes |
| 3                            | 3             | 1134-0041-01         | Bussning           | Bushing               |                     |
| 11                           | 4             | 1134-0041-02         | Bussning           | Bushing               |                     |
| 24                           | 1             | 1134-1964-01         | Skyddsplåt         | Protection plate      | Finland (FIN)       |
| 24                           | 1             | 1134-1967-01         | Ratt               | Steering Wheel        |                     |
| 24                           | 1             | 1134-2390-01         | Ratt               | Steering wheel        |                     |
| 9                            | 4             | 1134-2816-01         | Kedjehjul          | Sprocket              |                     |
| 19                           | 1             | 1134-2817-01         | Styrwire           | Steering Cable Left   |                     |
| 20                           | 1             | 1134-2817-02         | Styrwire           | Steering Cable,Rh     |                     |
| 21                           | 2             | 1134-2818-01         | Fjäder             | Spring                |                     |
| 15                           | 1             | 1134-2820-01         | Kedja79 Länkar     | Chain W/O Lock        |                     |
| 16                           | 2             | 1134-2824-01         | Kedjelås           | Chain Lock            |                     |
| 33                           | 1             | 1134-2837-02         | Distans            | Spacer                |                     |
| 4                            | 2             | 1134-3022-01         | Fäste              | Bracket               |                     |
| 32                           | 1             | 1134-3084-01         | Rattstång          | Steering Rod          |                     |
| 29                           | 1             | 1134-3085-01         | Rattrör Nedre      | Steering Column,Lower |                     |
| 2                            | 2             | 1134-9025-01         | Linhjul            | Steering Pulley       |                     |
| 30                           | 2             | 9549-0017-00         | Kullager           | Ball Bearing          |                     |
| 25                           | 1             | 9595-0262-00         | Spännstift         | Locating Pin          |                     |
| 34                           | 1             | 9695-0011-00         | Bricka             | Washer                |                     |
| 8                            | 5             | 9699-0035-02         | Bricka             | Washer                |                     |
| 22                           | 2             | 9699-0090-02         | Bricka             | Washer                |                     |
| 26                           | 1             | 9699-0103-02         | Bricka             | Washer                | 0.5 mm              |
| 26                           | 1             | 9699-0103-02         | Bricka             | Washer                | 0.5 mm              |
| 26                           | 1             | 9699-0103-02         | Bricka             | Washer                | 0.5 mm              |
| 26                           | 1             | 9699-0114-02         | Bricka             | Washer                | 1.0 mm              |
| 26                           | 1             | 9699-0114-02         | Bricka             | Washer                | 1.0 mm              |
| 7                            | 3             | 9739-1031-22         | Mutter             | Nut                   |                     |
| 14                           | 4             | 9739-1031-22         | Mutter             | Nut                   |                     |
| 23                           | 2             | 9747-0831-02         | Mutter   Låsmutter | Nut                   |                     |
| 13                           | 2             | 9897-1040-12         | Skruv              | Screw                 |                     |
| 31                           | 2             | 9942-0612-16         | Skruv              | Screw                 |                     |
| 6                            | 3             | 9997-1030-16         | Skruv              | Screw                 |                     |
| 12                           | 2             | 9997-1040-12         | Skruv              | Screw                 |                     |

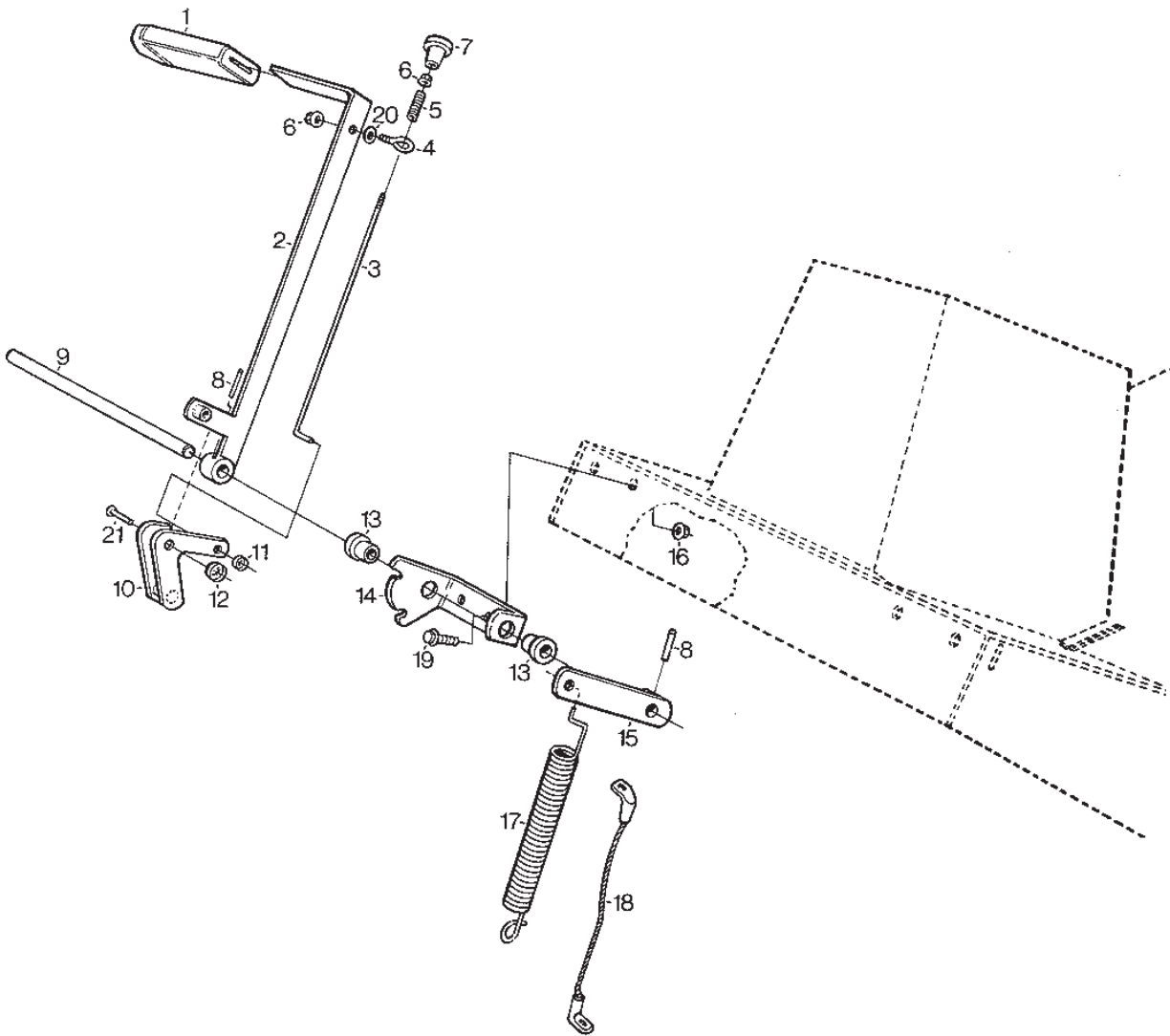


| Utgåva<br>Issue<br>37 - 2014 |               | Seat              |                        | Seat                  |                     |
|------------------------------|---------------|-------------------|------------------------|-----------------------|---------------------|
| Pos.<br>Fig.                 | Antal<br>Q.ty | Art nr<br>Part No | Benämning              | Description           | Anmärkning<br>Notes |
| 1                            | 1             | 1134-2541-01      | Sits Suburban Sa 10314 | Seat                  |                     |
| 2                            | 2             | 1134-2961-01      | Sitsadapter 5-01 24    | Seat Adapter          |                     |
| 3                            | 2             | 9898-0820-16      | Skruv                  | Screw                 |                     |
| 4                            | 4             | 9863-3613-16      | Skruv                  | Screw                 |                     |
| 5                            | 4             | 9675-0017-02      | Låsbricka              | Starlock              |                     |
| 6                            | 1             | 1134-3618-01      | Sitsfäste Kpl. 5-01 14 | Seat Attachment-R.H.  |                     |
| 10                           | 1             | 1134-3618-02      | Sitsfäste Kpl. 5-01 14 | Seat Attachment-L.H.  |                     |
| 11                           | 2             | 9699-0062-02      | Bricka                 | Washer                |                     |
| 12                           | 2             | 1134-1711-01      | Knopp                  | Knob                  |                     |
| 13                           | 1             | 1134-1652-01      | Fjäder                 | Spring                |                     |
| 14                           | 1             | 1134-0050-00      | Sitsstång              | Seat Rod              |                     |
| 18                           | 2             | 1134-1650-01      | Parallellstag5-01 F24  | Tie Bar               |                     |
| 20                           | 1             | 1134-0493-00      | Mutter                 | Nut                   |                     |
| 21                           | 1             | 1134-0015-00      | Sitsfjäder             | Seat spring           |                     |
| 28                           | 1             | 1134-2846-01      | Rör                    | Tube                  |                     |
| 30                           | 1             | 1134-1883-01      | Axel                   | Axle                  |                     |
| 31                           | 1             | 1134-0022-00      | Reglagestång           | Control Rod           |                     |
| 32                           | 2             | 9672-0004-02      | Starlock               | Starlock              |                     |
| 36                           | 1             | 1134-2163-01      | Spännstång Kpl.        | Rod                   |                     |
| 37                           | 1             | 1134-2166-01      | Distans                | Spacer                |                     |
| 40                           | 1             | 1134-1801-01      | Sits                   | Adjustable seat park  |                     |
| 41                           | 4             | 9795-3631-02      | Mutter                 | Nut                   |                     |
| 42                           | 4             | 9699-0028-02      | Bricka                 | Washer                |                     |
| 44                           | 2             | 9675-0017-02      | Låsbricka              | Starlock              |                     |
| 45                           | 1             | 1134-1687-03      | Sitsfäste Hö           | Seat Attachment Right |                     |
| 46                           | 1             | 1134-1687-04      | Sitsfäste-vä           | Seat attachment-L.H.  |                     |
| 48                           | 1             | 1134-2454-01      | Axel                   | Shaft                 |                     |
| 49                           | 2             | 9672-0006-02      | Starlock               | Lock washer           |                     |
| 50                           | 1             | 1134-2847-01      | Mellanstag             | Shaft                 |                     |
| 32                           | 2             | 9672-0004-02      | Starlock               | Starlock              |                     |
| 49                           | 2             | 9672-0006-02      | Starlock               | Lock washer           |                     |
| 21                           | 1             | 1134-0015-00      | Sitsfjäder             | Seat spring           |                     |
| 31                           | 1             | 1134-0022-00      | Reglagestång           | Control Rod           |                     |
| 14                           | 1             | 1134-0050-00      | Sitsstång              | Seat Rod              |                     |
| 20                           | 1             | 1134-0493-00      | Mutter                 | Nut                   |                     |
| 18                           | 2             | 1134-1650-01      | Parallellstag5-01 F24  | Tie Bar               |                     |
| 13                           | 1             | 1134-1652-01      | Fjäder                 | Spring                |                     |
| 45                           | 1             | 1134-1687-03      | Sitsfäste Hö           | Seat Attachment Right |                     |
| 46                           | 1             | 1134-1687-04      | Sitsfäste-vä           | Seat attachment-L.H.  |                     |
| 12                           | 2             | 1134-1711-01      | Knopp                  | Knob                  |                     |
| 40                           | 1             | 1134-1801-01      | Sits                   | Adjustable seat park  | Tillbehör/Accessory |
| 30                           | 1             | 1134-1883-01      | Axel                   | Axle                  |                     |
| 36                           | 1             | 1134-2163-01      | Spännstång Kpl.        | Rod                   |                     |
| 37                           | 1             | 1134-2166-01      | Distans                | Spacer                |                     |
| 48                           | 1             | 1134-2454-01      | Axel                   | Shaft                 |                     |
| 1                            | 1             | 1134-2541-01      | Sits Suburban Sa 10314 | Seat                  |                     |
| 28                           | 1             | 1134-2846-01      | Rör                    | Tube                  |                     |
| 50                           | 1             | 1134-2847-01      | Mellanstag             | Shaft                 |                     |
| 2                            | 2             | 1134-2961-01      | Sitsadapter 5-01 24    | Seat Adapter          |                     |



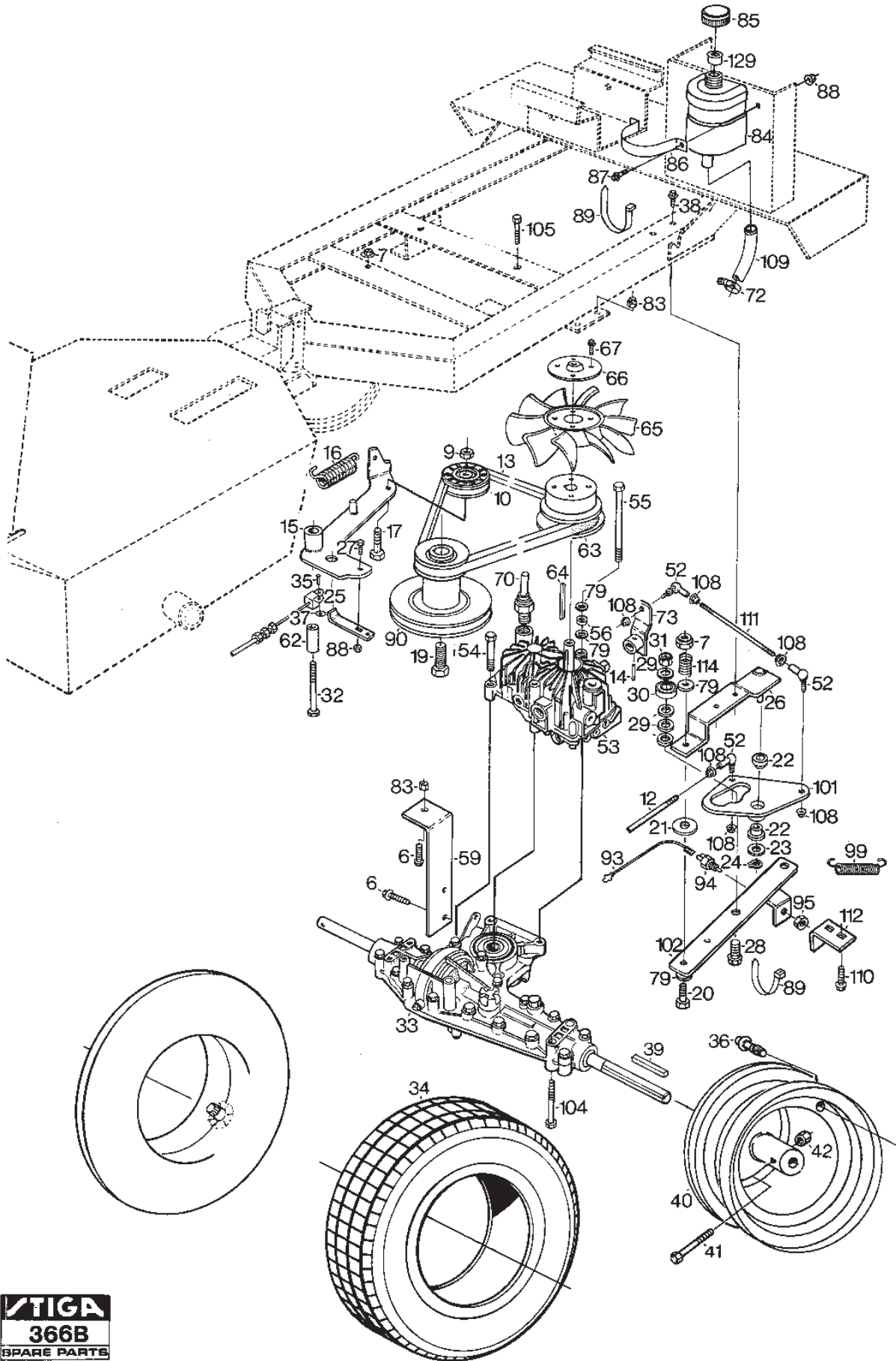
**STIGA**  
**28F**  
SPARE PARTS

| Utgåva<br>Issue<br>37 - 2014 |               | Seat              |                        |                      |                     |
|------------------------------|---------------|-------------------|------------------------|----------------------|---------------------|
| Pos.<br>Fig.                 | Antal<br>Q.ty | Art nr<br>Part No | Benämning              | Description          | Anmärkning<br>Notes |
| 6                            | 1             | 1134-3618-01      | Sitsfäste Kpl. 5-01 14 | Seat Attachment-R.H. |                     |
| 10                           | 1             | 1134-3618-02      | Sitsfäste Kpl. 5-01 14 | Seat Attachment-L.H. |                     |
| 5                            | 4             | 9675-0017-02      | Låsbricka              | Starlock             |                     |
| 44                           | 2             | 9675-0017-02      | Låsbricka              | Starlock             |                     |
| 42                           | 4             | 9699-0028-02      | Bricka                 | Washer               |                     |
| 11                           | 2             | 9699-0062-02      | Bricka                 | Washer               |                     |
| 41                           | 4             | 9795-3631-02      | Mutter                 | Nut                  |                     |
| 3                            | 2             | 9898-0820-16      | Skruv                  | Screw                |                     |
| 4                            | 4             | 9988-3616-16      | Skruv                  | Screw                |                     |
| 4                            | 4             | 9988-3616-16      | Skruv                  | Screw                |                     |



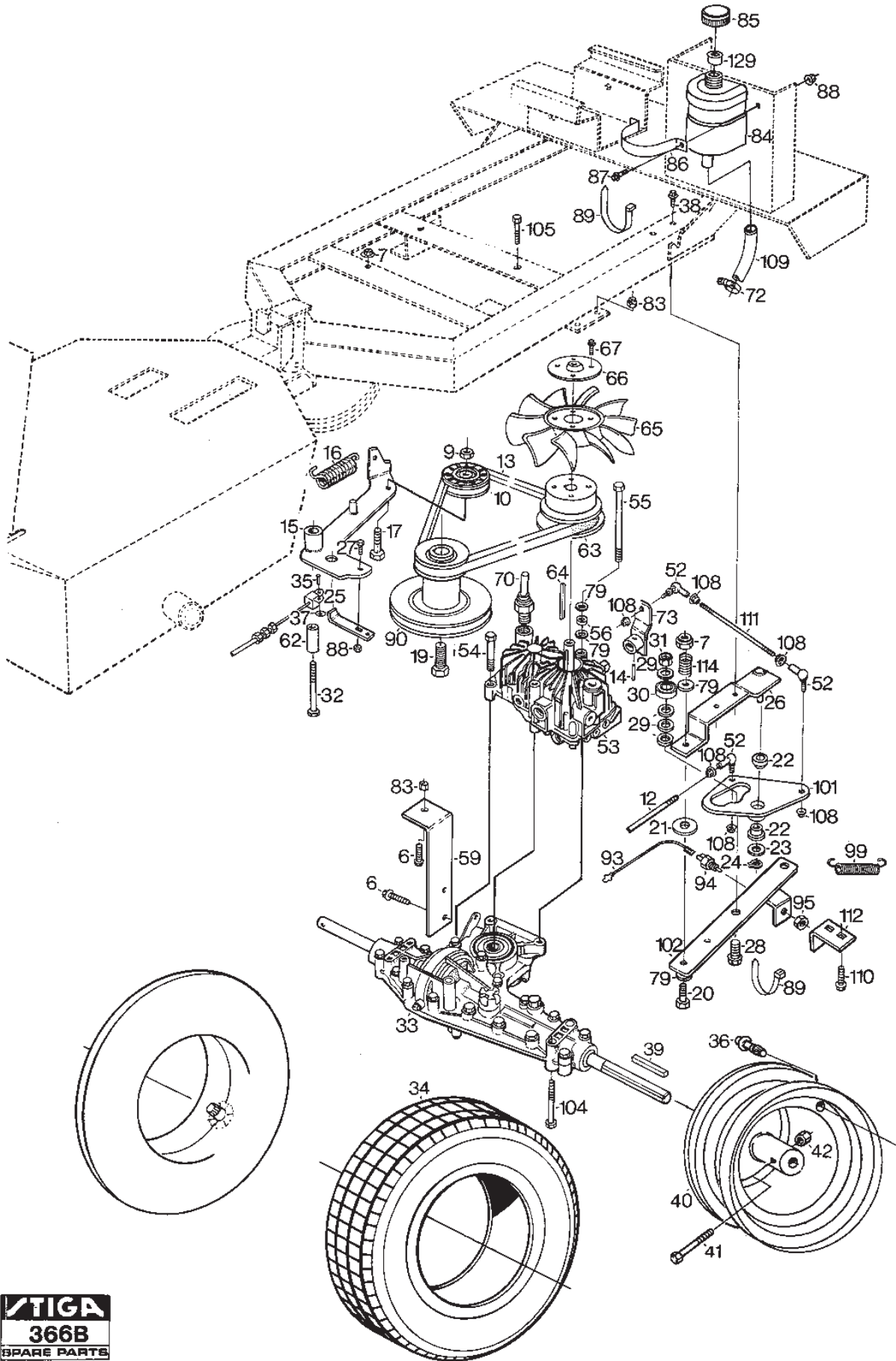


| Utgåva<br>Issue<br>37 - 2014 |               | Redskapslyft<br>Lifting Device |                        |                     |                     |
|------------------------------|---------------|--------------------------------|------------------------|---------------------|---------------------|
| Pos.<br>Fig.                 | Antal<br>Q.ty | Art nr<br>Part No              | Benämning              | Description         | Anmärkning<br>Notes |
| 5                            | 1             | 1111-0053-00                   | Fjäder                 | Spring              |                     |
| 0                            | 1             | 1134-0410-08                   | röds kapslyft Smstpark | Lifting Device Assy |                     |
| 18                           | 1             | 1134-2314-01                   | Lyftwire               | Wire                | 100B                |



**STIGA**  
**366B**  
SPARE PARTS

| Utgåva<br>Issue<br>37 - 2014 |               | Transmission      |                              | Transmission                         |                     |
|------------------------------|---------------|-------------------|------------------------------|--------------------------------------|---------------------|
| Pos.<br>Fig.                 | Antal<br>Q.ty | Art nr<br>Part No | Benämning                    | Description                          | Anmärkning<br>Notes |
| 24                           | 1             | 9652-0010-04      | Segersäkringsåkring Sga10    | Circlip                              |                     |
| 37                           | 1             | 9675-0008-02      | Starlockbricka               | Starlock                             |                     |
| 99                           | 1             | 1131-1506-00      | Fjäder                       | Spring                               |                     |
| 16                           | 1             | 1134-0645-00      | Fjäder                       | Spring                               |                     |
| 62                           | 1             | 1134-1565-01      | Distans                      | Spacer                               |                     |
| 15                           | 1             | 1134-2015-03      | Spännarm                     | Tension Arm                          |                     |
| 39                           | 2             | 1134-2471-01      | Kil                          | Key                                  |                     |
| 59                           | 1             | 1134-2708-01      | Stay                         | Stay                                 |                     |
| 102                          | 1             | 1134-2713-01      | Arm Kpl.                     | Arm                                  |                     |
| 66                           | 1             | 1134-2714-01      | Bricka                       | Washer                               |                     |
| 90                           | 1             | 1134-2717-01      | Motorremskiva                | Engine Pulley                        |                     |
| 101                          | 1             | 1134-2724-01      | Pivotplatta Kpl. 24          | Pivoting Plate                       |                     |
| 26                           | 1             | 1134-2726-01      | Fäste                        | Bracket                              |                     |
| 112                          | 1             | 1134-2727-01      | Fäste                        | Bracket                              |                     |
| 73                           | 1             | 1134-2729-01      | Arm Kpl.                     | Arm                                  |                     |
| 111                          | 1             | 1134-2734-01      | Stag Kpl                     | Rod                                  |                     |
| 63                           | 1             | 1134-2739-01      | Pedal                        | Pedal                                |                     |
| 56                           | 2             | 1134-2758-01      | Distans                      | Spacer                               |                     |
| 84                           | 1             | 1134-2765-02      | Oljetank                     | Oil Tank                             |                     |
| 12                           | 1             | 1134-2766-01      | Fartreglagewire              | Speed Control Wire                   |                     |
| 95                           | 1             | 1134-2767-01      | Mutter                       | Nut                                  |                     |
| 94                           | 1             | 1134-2774-01      | Brytare                      | Switch                               |                     |
| 64                           | 1             | 1134-2776-01      | Kil                          | Key                                  |                     |
| 85                           | 1             | 1134-2777-02      | Tanklock                     | Filler Cap                           |                     |
| 86                           | 1             | 1134-2778-01      | Fästband5-01                 | Band                                 |                     |
| 109                          | 1             | 1134-2779-01      | Slang                        | Tube                                 |                     |
| 70                           | 1             | 1134-2783-01      | Nipple                       | Nipple                               |                     |
| 33                           | 1             | 1134-2800-01      | Transaxel                    | Transaxle                            |                     |
| 53                           | 1             | 1134-2801-02      | Hydrostat                    | Hydrostatic Transmission             |                     |
| 21                           | 1             | 1134-2840-01      | Bricka                       | Washer                               |                     |
| 114                          | 1             | 1134-2843-01      | Fjäder                       | Spring                               |                     |
| 93                           | 1             | 1134-2916-01      | Kabel                        | Wire                                 |                     |
| 25                           | 1             | 1134-2983-01      | Arm Kpl.                     | Arm                                  |                     |
| 40                           | 2             | 1134-3175-01      | Fälg-bak                     | Rim-rear                             |                     |
| 65                           | 1             | 1134-3552-01      | Fläkt                        | Fan                                  |                     |
| 129                          | 1             | 1134-3734-01      | Plugg (Service)              | Vent Plug                            |                     |
| 10                           | 1             | 1134-9027-01      | Spännrulle (Svart)           | Tension Roller (Black)               |                     |
| 13                           | 1             | 1134-9029-01      | Kilrem                       | V-Belt                               |                     |
| 34                           | 2             | 9545-0116-00      | Däck                         | Tyre                                 |                     |
| 34                           | 1             | 9545-0203-00      | Innerslang                   | Inner Tube                           |                     |
| 36                           | 2             | 9545-0500-00      | Ventil                       | Valve Assy.                          |                     |
| 22                           | 2             | 9548-0015-00      | Oljebroslag12X18X12-24X3     | Flanged Bearing                      |                     |
| 30                           | 1             | 9549-0004-00      | Kullager                     | Ball Bearing                         |                     |
| 52                           | 3             | 9570-0001-00      | Vinkellänk As8 Din 71802M5   | Elbow Link                           |                     |
| 72                           | 2             | 9578-0021-00      | Slangklämma                  | Hose clamp                           |                     |
| 89                           | 2             | 9579-0003-00      | Kablage   Bunband   Buntband | Cable harness   Cable   Cable Holder |                     |
| 14                           | 1             | 9595-0235-00      | Spännstift                   | Pin                                  |                     |
| 35                           | 1             | 9646-0036-22      | Nit Kn 5X12                  | Rivet                                |                     |



| Utgåva<br>Issue<br>37 - 2014 |               | Transmission      |                       | Transmission       |                     |
|------------------------------|---------------|-------------------|-----------------------|--------------------|---------------------|
| Pos.<br>Fig.                 | Antal<br>Q.ty | Art nr<br>Part No | Benämning             | Description        | Anmärkning<br>Notes |
| 29                           | 4             | 9699-0029-02      | Bricka                | Washer             |                     |
| 23                           | 1             | 9699-0037-02      | Bricka                | Washer             |                     |
| 79                           | 6             | 9699-0090-02      | Bricka                | Washer             |                     |
| 108                          | 6             | 9739-0531-22      | Mutter                | Nut                |                     |
| 88                           | 3             | 9739-0631-22      | Strålkastare   Mutter | Working lamp   Nut |                     |
| 7                            | 2             | 9739-0831-22      | Mutter                | Nut                |                     |
| 42                           | 2             | 9747-0831-02      | Mutter   Låsmutter    | Nut                |                     |
| 83                           | 6             | 9747-0831-02      | Mutter   Låsmutter    | Nut                |                     |
| 9                            | 1             | 9799-1031-02      | Mutter                | Nut                |                     |
| 31                           | 1             | 9799-1031-02      | Mutter                | Nut                |                     |
| 110                          | 2             | 9942-0612-16      | Skruv                 | Screw              |                     |
| 38                           | 2             | 9942-0816-16      | Skruv                 | Screw              |                     |
| 67                           | 5             | 9959-0612-16      | Skruv                 | Screw              |                     |
| 6                            | 2             | 9959-0820-16      | Skruv                 | Screw              |                     |
| 28                           | 1             | 9959-1030-16      | Skruv                 | Screw              |                     |
| 19                           | 1             | 9987-5338-12      | Skruv                 | Screw              |                     |
| 87                           | 2             | 9997-0612-16      | Skruv                 | Screw              |                     |
| 27                           | 1             | 9997-0616-16      | Skruv                 | Screw              |                     |
| 55                           | 2             | 9997-0812-02      | Skruv                 | Screw              |                     |
| 105                          | 1             | 9997-0835-12      | Skruv                 | Screw              |                     |
| 20                           | 1             | 9997-0840-16      | Skruv                 | Screw              |                     |
| 54                           | 2             | 9997-0840-16      | Skruv                 | Screw              |                     |
| 41                           | 2             | 9997-0845-12      | Skruv                 | Screw              |                     |
| 32                           | 1             | 9997-0850-16      | Skruv                 | Screw              |                     |
| 104                          | 4             | 9997-0870-16      | Skruv                 | Screw              |                     |
| 17                           | 1             | 9997-1030-16      | Skruv                 | Screw              |                     |
| 90                           | 1             | 9997-1450-16      | Skruv                 | Screw              | Tillbehör/Accessory |

| code         | pos. | q.ty | page  |              |     |   |       |              |     |   |       |
|--------------|------|------|-------|--------------|-----|---|-------|--------------|-----|---|-------|
| 1111-0053-00 | 5    | 1    | p. 41 | 1134-1893-01 | 52  | 1 | p. 27 | 1134-2817-01 | 19  | 1 | p. 35 |
| 1131-1497-01 | 5    | 1    | p. 27 | 1134-1964-01 | 24  | 1 | p. 35 | 1134-2817-02 | 20  | 1 | p. 35 |
| 1131-1497-01 | 47   | 1    | p. 25 | 1134-1967-01 | 24  | 1 | p. 35 | 1134-2818-01 | 21  | 2 | p. 35 |
| 1131-1506-00 | 41   | 1    | p. 25 | 1134-1972-01 | 10  | 1 | p. 27 | 1134-2820-01 | 15  | 1 | p. 35 |
| 1131-1506-00 | 99   | 1    | p. 43 | 1134-1975-10 | 27  | 1 | p. 25 | 1134-2824-01 | 16  | 2 | p. 35 |
| 1134-0015-00 | 21   | 1    | p. 37 | 1134-2015-03 | 15  | 1 | p. 43 | 1134-2833-05 | 48  | 1 | p. 21 |
| 1134-0015-00 | 21   | 1    | p. 37 | 1134-2018-01 | 27  | 1 | p. 27 | 1134-2837-02 | 33  | 1 | p. 35 |
| 1134-0022-00 | 15   | 1    | p. 27 | 1134-2020-01 | 32  | 1 | p. 27 | 1134-2840-01 | 21  | 1 | p. 43 |
| 1134-0022-00 | 31   | 1    | p. 37 | 1134-2030-04 | 17  | 1 | p. 31 | 1134-2843-01 | 114 | 1 | p. 43 |
| 1134-0022-00 | 31   | 1    | p. 37 | 1134-2030-10 | 40  | 1 | p. 25 | 1134-2846-01 | 28  | 1 | p. 37 |
| 1134-0027-01 | 8    | 1    | p. 27 | 1134-2040-01 | 16  | 1 | p. 33 | 1134-2846-01 | 28  | 1 | p. 37 |
| 1134-0031-00 | 18   | 1    | p. 21 | 1134-2042-01 | 25  | 1 | p. 33 | 1134-2847-01 | 50  | 1 | p. 37 |
| 1134-0041-01 | 3    | 3    | p. 35 | 1134-2084-02 | 19  | 1 | p. 33 | 1134-2847-01 | 50  | 1 | p. 37 |
| 1134-0041-02 | 11   | 4    | p. 35 | 1134-2151-02 | 46  | 1 | p. 25 | 1134-2848-01 | 9   | 1 | p. 33 |
| 1134-0041-03 | 92   | 1    | p. 27 | 1134-2163-01 | 36  | 1 | p. 37 | 1134-2857-01 | 122 | 1 | p. 31 |
| 1134-0050-00 | 14   | 1    | p. 37 | 1134-2163-01 | 36  | 1 | p. 37 | 1134-2858-01 | 118 | 1 | p. 31 |
| 1134-0050-00 | 14   | 1    | p. 37 | 1134-2166-01 | 37  | 1 | p. 37 | 1134-2859-01 | 117 | 1 | p. 31 |
| 1134-0051-09 | 40   | 1    | p. 27 | 1134-2166-01 | 37  | 1 | p. 37 | 1134-2862-01 | 119 | 1 | p. 31 |
| 1134-0052-00 | 36   | 2    | p. 27 | 1134-2174-01 | 30  | 1 | p. 21 | 1134-2866-01 | 121 | 1 | p. 31 |
| 1134-0057-00 | 35   | 1    | p. 21 | 1134-2174-01 | 32  | 1 | p. 21 | 1134-2867-01 | 123 | 1 | p. 31 |
| 1134-0057-00 | 42   | 1    | p. 27 | 1134-2174-02 | 29  | 1 | p. 21 | 1134-2870-01 | 68  | 1 | p. 21 |
| 1134-0075-01 | 38   | 2    | p. 21 | 1134-2215-01 | 1   | 1 | p. 21 | 1134-2871-01 | 124 | 1 | p. 31 |
| 1134-0143-00 | 2    | 1    | p. 27 | 1134-2310-01 | 35  | 1 | p. 33 | 1134-2872-01 | 30  | 1 | p. 25 |
| 1134-0153-00 | 17   | 1    | p. 27 | 1134-2314-01 | 18  | 1 | p. 41 | 1134-2877-02 | 24  | 1 | p. 25 |
| 1134-0222-00 | 44   | 1    | p. 27 | 1134-2333-02 | 28  | 1 | p. 33 | 1134-2878-01 | 1   | 1 | p. 25 |
| 1134-0225-00 | 22   | 4    | p. 21 | 1134-2390-01 | 24  | 1 | p. 35 | 1134-2879-01 | 8   | 1 | p. 25 |
| 1134-0234-01 | 26   | 1    | p. 33 | 1134-2453-01 | 3   | 1 | p. 27 | 1134-2886-01 | 23  | 1 | p. 25 |
| 1134-0245-00 | 48   | 1    | p. 25 | 1134-2454-01 | 48  | 1 | p. 37 | 1134-2888-01 | 51  | 2 | p. 21 |
| 1134-0266-00 | 35   | 1    | p. 31 | 1134-2454-01 | 48  | 1 | p. 37 | 1134-2892-01 | 27  | 1 | p. 33 |
| 1134-0267-00 | 113  | 1    | p. 31 | 1134-2471-01 | 39  | 2 | p. 43 | 1134-2902-01 | 125 | 1 | p. 31 |
| 1134-0269-00 | 24   | 1    | p. 31 | 1134-2541-01 | 1   | 1 | p. 37 | 1134-2905-01 | 16  | 1 | p. 33 |
| 1134-0269-00 | 39   | 1    | p. 25 | 1134-2541-01 | 1   | 1 | p. 37 | 1134-2915-01 | 24  | 1 | p. 33 |
| 1134-0341-01 | 39   | 4    | p. 21 | 1134-2700-01 | 5   | 2 | p. 31 | 1134-2916-01 | 13  | 1 | p. 33 |
| 1134-0410-08 | 0    | 1    | p. 41 | 1134-2703-01 | 8   | 1 | p. 31 | 1134-2916-01 | 93  | 1 | p. 43 |
| 1134-0493-00 | 20   | 1    | p. 37 | 1134-2707-01 | 74  | 1 | p. 31 | 1134-2932-01 | 127 | 1 | p. 31 |
| 1134-0493-00 | 20   | 1    | p. 37 | 1134-2708-01 | 59  | 1 | p. 43 | 1134-2933-01 | 126 | 1 | p. 31 |
| 1134-0583-00 | 12   | 1    | p. 27 | 1134-2713-01 | 102 | 1 | p. 43 | 1134-2941-01 | 22  | 2 | p. 25 |
| 1134-0645-00 | 16   | 1    | p. 43 | 1134-2714-01 | 66  | 1 | p. 43 | 1134-2944-01 | 72  | 1 | p. 21 |
| 1134-1183-04 | 52   | 2    | p. 21 | 1134-2717-01 | 90  | 1 | p. 43 | 1134-2947-01 | 41  | 1 | p. 33 |
| 1134-1184-02 | 45   | 1    | p. 25 | 1134-2721-01 | 45  | 1 | p. 31 | 1134-2948-01 | 43  | 1 | p. 33 |
| 1134-1242-02 | 26   | 1    | p. 27 | 1134-2724-01 | 101 | 1 | p. 43 | 1134-2951-01 | 46  | 1 | p. 21 |
| 1134-1242-02 | 42   | 1    | p. 25 | 1134-2726-01 | 26  | 1 | p. 43 | 1134-2961-01 | 2   | 2 | p. 37 |
| 1134-1322-01 | 55   | 1    | p. 27 | 1134-2727-01 | 112 | 1 | p. 43 | 1134-2961-01 | 2   | 2 | p. 37 |
| 1134-1466-01 | 1    | 1    | p. 33 | 1134-2729-01 | 73  | 1 | p. 43 | 1134-2962-01 | 40  | 1 | p. 33 |
| 1134-1565-01 | 25   | 1    | p. 27 | 1134-2734-01 | 111 | 1 | p. 43 | 1134-2975-01 | 54  | 1 | p. 25 |
| 1134-1565-01 | 62   | 1    | p. 43 | 1134-2739-01 | 2   | 1 | p. 31 | 1134-2983-01 | 25  | 1 | p. 43 |
| 1134-1650-01 | 18   | 2    | p. 37 | 1134-2739-01 | 63  | 1 | p. 43 | 1134-2988-01 | 50  | 2 | p. 25 |
| 1134-1650-01 | 18   | 2    | p. 37 | 1134-2758-01 | 56  | 1 | p. 31 | 1134-2991-01 | 18  | 1 | p. 31 |
| 1134-1652-01 | 13   | 1    | p. 37 | 1134-2758-01 | 56  | 2 | p. 43 | 1134-2998-01 | 52  | 1 | p. 25 |
| 1134-1652-01 | 13   | 1    | p. 37 | 1134-2765-02 | 84  | 1 | p. 43 | 1134-3022-01 | 4   | 2 | p. 35 |
| 1134-1687-03 | 45   | 1    | p. 37 | 1134-2766-01 | 12  | 1 | p. 31 | 1134-3082-01 | 6   | 1 | p. 33 |
| 1134-1687-03 | 45   | 1    | p. 37 | 1134-2766-01 | 12  | 1 | p. 43 | 1134-3084-01 | 32  | 1 | p. 35 |
| 1134-1687-04 | 46   | 1    | p. 37 | 1134-2767-01 | 95  | 1 | p. 43 | 1134-3085-01 | 29  | 1 | p. 35 |
| 1134-1687-04 | 46   | 1    | p. 37 | 1134-2774-01 | 94  | 1 | p. 43 | 1134-3175-01 | 40  | 2 | p. 43 |
| 1134-1711-01 | 12   | 2    | p. 37 | 1134-2776-01 | 64  | 1 | p. 43 | 1134-3215-01 | 4   | 1 | p. 21 |
| 1134-1711-01 | 12   | 2    | p. 37 | 1134-2777-02 | 85  | 1 | p. 43 | 1134-3244-01 | 13  | 1 | p. 25 |
| 1134-1730-01 | 46   | 1    | p. 27 | 1134-2778-01 | 86  | 1 | p. 43 | 1134-3252-02 | 45  | 1 | p. 21 |
| 1134-1757-07 | 17   | 1    | p. 21 | 1134-2779-01 | 109 | 1 | p. 43 | 1134-3273-01 | 45  | 1 | p. 33 |
| 1134-1769-02 | 37   | 1    | p. 27 | 1134-2780-01 | 4   | 2 | p. 31 | 1134-3279-01 | 45  | 1 | p. 33 |
| 1134-1770-01 | 48   | 1    | p. 27 | 1134-2782-01 | 17  | 1 | p. 33 | 1134-3300-01 | 39  | 2 | p. 33 |
| 1134-1801-01 | 40   | 1    | p. 37 | 1134-2783-01 | 70  | 1 | p. 43 | 1134-3371-02 | 28  | 1 | p. 21 |
| 1134-1801-01 | 40   | 1    | p. 37 | 1134-2786-01 | 46  | 1 | p. 31 | 1134-3411-03 | 3   | 1 | p. 21 |
| 1134-1814-01 | 8    | 1    | p. 33 | 1134-2789-01 | 47  | 1 | p. 31 | 1134-3450-01 | 23  | 1 | p. 31 |
| 1134-1883-01 | 30   | 1    | p. 37 | 1134-2790-01 | 48  | 1 | p. 31 | 1134-3450-01 | 37  | 1 | p. 25 |
| 1134-1883-01 | 30   | 1    | p. 37 | 1134-2800-01 | 33  | 1 | p. 43 | 1134-3546-01 | 47  | 1 | p. 21 |
| 1134-1888-01 | 47   | 2    | p. 27 | 1134-2801-02 | 53  | 1 | p. 43 | 1134-3552-01 | 65  | 1 | p. 43 |
|              |      |      |       | 1134-2816-01 | 9   | 4 | p. 35 | 1134-3558-01 | 99  | 1 | p. 21 |

| code         | pos. | q.ty | page  |              |     |    |      |              |     |   |       |  |
|--------------|------|------|-------|--------------|-----|----|------|--------------|-----|---|-------|--|
| 1134-3573-01 | 9    | 1    | p. 27 | 1139-0218-01 | C3  | 2  | p. 7 | 1139-0246-01 | A15 | 4 | p. 5  |  |
| 1134-3618-01 | 6    | 1    | p. 37 | 1139-0219-01 | B4  | 1  | p. 7 | 1139-0247-01 | B8  | 6 | p. 5  |  |
| 1134-3618-01 | 6    | 1    | p. 39 | 1139-0219-01 | B4  | 1  | p. 7 | 1139-0247-01 | B8  | 6 | p. 5  |  |
| 1134-3618-02 | 10   | 1    | p. 37 | 1139-0219-01 | C4  | 1  | p. 7 | 1139-0247-01 | C8  | 6 | p. 5  |  |
| 1134-3618-02 | 10   | 1    | p. 39 | 1139-0220-01 | B1  | 1  | p. 7 | 4231-0013-00 | 23  | 1 | p. 27 |  |
| 1134-3654-01 | 60   | 1    | p. 27 | 1139-0220-01 | B1  | 1  | p. 7 | 9400-0063-00 | 7   | 1 | p. 33 |  |
| 1134-3734-01 | 129  | 1    | p. 43 | 1139-0220-01 | C1  | 1  | p. 7 | 9400-0064-02 | 29  | 1 | p. 33 |  |
| 1134-9011-01 | 58   | 1    | p. 27 | 1139-0221-01 | B2  | 1  | p. 7 | 9400-0075-00 | 2   | 1 | p. 33 |  |
| 1134-9012-01 | 57   | 1    | p. 27 | 1139-0221-01 | B2  | 1  | p. 7 | 9400-0102-00 | 23  | 1 | p. 33 |  |
| 1134-9024-01 | 38   | 1    | p. 25 | 1139-0221-01 | B2  | 1  | p. 7 | 9400-0103-00 | 22  | 1 | p. 33 |  |
| 1134-9025-01 | 2    | 2    | p. 35 | 1139-0221-01 | C2  | 1  | p. 7 | 9400-0165-00 | 30  | 1 | p. 33 |  |
| 1134-9027-01 | 10   | 1    | p. 43 | 1139-0222-01 | B5  | 1  | p. 7 | 9400-0171-00 | 12  | 2 | p. 33 |  |
| 1134-9027-01 | 30   | 1    | p. 27 | 1139-0222-01 | B5  | 1  | p. 7 | 9403-0035-10 | 32  | 1 | p. 25 |  |
| 1134-9028-01 | 7    | 1    | p. 21 | 1139-0222-01 | C5  | 1  | p. 7 | 9405-0029-00 | 6   | 3 | p. 21 |  |
| 1134-9029-01 | 13   | 1    | p. 43 | 1139-0222-01 | 1   | 1  | p. 3 | 9501-0500-00 | 16  | 4 | p. 21 |  |
| 1139-0200-01 | 2    | 1    | p. 3  | 1139-0223-01 | A1  | 1  | p. 3 | 9545-0116-00 | 34  | 2 | p. 43 |  |
| 1139-0200-01 | A2   | 1    | p. 3  | 1139-0224-01 | 4   | 1  | p. 3 | 9545-0116-00 | 49  | 2 | p. 21 |  |
| 1139-0201-01 | A1   | 1    | p. 3  | 1139-0224-01 | A4  | 1  | p. 3 | 9545-0203-00 | 34  | 1 | p. 43 |  |
| 1139-0201-01 | A1   | 1    | p. 3  | 1139-0225-01 | A1  | 2  | p. 7 | 9545-0203-00 | 49  | 1 | p. 21 |  |
| 1139-0201-01 | A1   | 1    | p. 3  | 1139-0225-01 | A1  | 2  | p. 7 | 9545-0500-00 | 36  | 2 | p. 43 |  |
| 1139-0201-01 | B1   | 1    | p. 3  | 1139-0225-01 | B1  | 2  | p. 7 | 9545-0500-00 | 50  | 2 | p. 21 |  |
| 1139-0202-01 | 3    | 1    | p. 3  | 1139-0226-01 | B1  | 2  | p. 3 | 9547-0001-00 | 36  | 2 | p. 21 |  |
| 1139-0202-01 | A3   | 1    | p. 3  | 1139-0226-01 | B1  | 2  | p. 3 | 9548-0015-00 | 22  | 2 | p. 43 |  |
| 1139-0203-01 | 7    | 1    | p. 3  | 1139-0226-01 | C1  | 2  | p. 3 | 9549-0004-00 | 30  | 1 | p. 43 |  |
| 1139-0203-01 | A7   | 1    | p. 3  | 1139-0227-01 | B3  | 2  | p. 3 | 9549-0017-00 | 30  | 2 | p. 35 |  |
| 1139-0204-01 | A2   | 1    | p. 3  | 1139-0227-01 | B3  | 2  | p. 3 | 9549-0019-00 | 41  | 2 | p. 27 |  |
| 1139-0204-01 | A2   | 1    | p. 3  | 1139-0227-01 | C3  | 2  | p. 3 | 9549-0036-00 | 51A | 2 | p. 21 |  |
| 1139-0204-01 | A2   | 1    | p. 3  | 1139-0228-01 | B11 | 1  | p. 7 | 9549-0041-00 | 6   | 1 | p. 7  |  |
| 1139-0204-01 | B2   | 1    | p. 3  | 1139-0228-01 | C11 | 1  | p. 7 | 9549-0041-00 | A06 | 1 | p. 7  |  |
| 1139-0205-01 | A05  | 1    | p. 3  | 1139-0229-01 | A05 | 2  | p. 7 | 9570-0001-00 | 52  | 1 | p. 31 |  |
| 1139-0205-01 | A5   | 1    | p. 3  | 1139-0229-01 | A5  | 2  | p. 7 | 9570-0001-00 | 52  | 3 | p. 43 |  |
| 1139-0205-01 | B5   | 1    | p. 3  | 1139-0229-01 | B5  | 2  | p. 7 | 9578-0011-00 | 15  | 1 | p. 25 |  |
| 1139-0206-01 | A06  | 1    | p. 3  | 1139-0230-01 | B5  | 6  | p. 3 | 9578-0016-00 | 53  | 1 | p. 25 |  |
| 1139-0206-01 | A6   | 1    | p. 3  | 1139-0230-01 | B5  | 6  | p. 3 | 9578-0021-00 | 72  | 2 | p. 43 |  |
| 1139-0206-01 | B6   | 1    | p. 3  | 1139-0230-01 | C5  | 6  | p. 3 | 9579-0003-00 | 15  | 3 | p. 33 |  |
| 1139-0207-01 | A10  | 1    | p. 3  | 1139-0231-01 | 8   | 2  | p. 5 | 9579-0003-00 | 89  | 2 | p. 43 |  |
| 1139-0207-01 | B10  | 1    | p. 3  | 1139-0231-01 | A8  | 2  | p. 5 | 9579-0008-00 | 34  | 1 | p. 25 |  |
| 1139-0208-01 | A11  | 1    | p. 3  | 1139-0232-01 | 9   | 1  | p. 5 | 9595-0235-00 | 14  | 1 | p. 43 |  |
| 1139-0208-01 | A11  | 1    | p. 3  | 1139-0232-01 | A9  | 1  | p. 5 | 9595-0235-00 | 14  | 2 | p. 31 |  |
| 1139-0208-01 | B11  | 1    | p. 3  | 1139-0233-01 | A14 | 1  | p. 5 | 9595-0258-00 | 37  | 2 | p. 21 |  |
| 1139-0209-01 | A12  | 2    | p. 3  | 1139-0233-01 | B14 | 1  | p. 5 | 9595-0262-00 | 19  | 1 | p. 21 |  |
| 1139-0209-01 | B12  | 2    | p. 3  | 1139-0234-01 | B6  | 2  | p. 5 | 9595-0262-00 | 25  | 1 | p. 35 |  |
| 1139-0210-01 | A13  | 1    | p. 3  | 1139-0234-01 | B6  | 2  | p. 5 | 9598-0003-02 | 53  | 2 | p. 21 |  |
| 1139-0210-01 | B13  | 1    | p. 3  | 1139-0234-01 | C6  | 2  | p. 5 | 9599-0085-02 | 55  | 2 | p. 21 |  |
| 1139-0211-01 | B2   | 1    | p. 3  | 1139-0235-01 | A15 | 2  | p. 5 | 9632-0516-00 | 5   | 3 | p. 21 |  |
| 1139-0211-01 | B2   | 1    | p. 3  | 1139-0235-01 | B15 | 2  | p. 5 | 9646-0036-22 | 6   | 1 | p. 27 |  |
| 1139-0211-01 | B2   | 1    | p. 3  | 1139-0236-01 | 5   | 1  | p. 7 | 9646-0036-22 | 35  | 1 | p. 43 |  |
| 1139-0211-01 | C2   | 1    | p. 3  | 1139-0236-01 | A05 | 1  | p. 7 | 9646-0036-22 | 43  | 1 | p. 25 |  |
| 1139-0212-01 | B4   | 2    | p. 3  | 1139-0238-01 | 10  | 2  | p. 5 | 9651-0040-04 | 38  | 2 | p. 27 |  |
| 1139-0212-01 | B4   | 2    | p. 3  | 1139-0238-01 | A10 | 2  | p. 5 | 9652-0010-04 | 24  | 1 | p. 43 |  |
| 1139-0212-01 | C4   | 2    | p. 3  | 1139-0239-01 | 11  | 1  | p. 5 | 9672-0004-02 | 16  | 2 | p. 27 |  |
| 1139-0213-01 | 1    | 1    | p. 7  | 1139-0239-01 | A11 | 1  | p. 5 | 9672-0004-02 | 32  | 2 | p. 37 |  |
| 1139-0213-01 | A1   | 1    | p. 7  | 1139-0240-01 | 12  | 1  | p. 5 | 9672-0004-02 | 32  | 2 | p. 37 |  |
| 1139-0214-01 | 4    | 1    | p. 7  | 1139-0240-01 | A12 | 1  | p. 5 | 9672-0006-02 | 49  | 2 | p. 37 |  |
| 1139-0214-01 | A4   | 1    | p. 7  | 1139-0241-01 | A06 | 2  | p. 7 | 9672-0006-02 | 49  | 2 | p. 37 |  |
| 1139-0215-01 | A2   | 1    | p. 7  | 1139-0241-01 | A6  | 2  | p. 7 | 9675-0008-02 | 7   | 1 | p. 27 |  |
| 1139-0215-01 | A2   | 1    | p. 7  | 1139-0241-01 | B6  | 2  | p. 7 | 9675-0008-02 | 37  | 1 | p. 43 |  |
| 1139-0215-01 | B2   | 1    | p. 7  | 1139-0242-01 | B12 | 4  | p. 7 | 9675-0008-02 | 44  | 1 | p. 25 |  |
| 1139-0216-01 | A3   | 1    | p. 7  | 1139-0242-01 | C12 | 4  | p. 7 | 9675-0012-02 | 51  | 1 | p. 31 |  |
| 1139-0216-01 | A3   | 1    | p. 7  | 1139-0243-01 | B7  | 6  | p. 5 | 9675-0017-02 | 5   | 4 | p. 37 |  |
| 1139-0216-01 | B3   | 1    | p. 7  | 1139-0243-01 | B7  | 6  | p. 5 | 9675-0017-02 | 5   | 4 | p. 39 |  |
| 1139-0217-01 | A4   | 2    | p. 7  | 1139-0243-01 | C7  | 6  | p. 5 | 9675-0017-02 | 44  | 2 | p. 37 |  |
| 1139-0217-01 | A4   | 2    | p. 7  | 1139-0244-01 | 13  | 14 | p. 5 | 9675-0017-02 | 44  | 2 | p. 39 |  |
| 1139-0217-01 | B4   | 2    | p. 7  | 1139-0244-01 | A13 | 14 | p. 5 | 9695-0002-00 | 4   | 1 | p. 27 |  |
| 1139-0218-01 | B3   | 2    | p. 7  | 1139-0245-01 | 14  | 6  | p. 5 | 9695-0011-00 | 34  | 1 | p. 35 |  |
| 1139-0218-01 | B3   | 2    | p. 7  | 1139-0245-01 | A14 | 6  | p. 5 | 9699-0025-02 | 11  | 2 | p. 27 |  |
|              |      |      |       | 1139-0246-01 | 15  | 4  | p. 5 | 9699-0028-02 | 31  | 1 | p. 25 |  |

| code         | pos. | q.ty | page  |              |      |    |       |        |      |   |       |  |  |
|--------------|------|------|-------|--------------|------|----|-------|--------|------|---|-------|--|--|
| 9699-0028-02 | 42   | 4    | p. 37 | 9942-0612-16 | 15   | 2  | p. 21 | 394018 | 445  | 1 | p. 11 |  |  |
| 9699-0028-02 | 42   | 4    | p. 39 | 9942-0612-16 | 31   | 2  | p. 35 | 394358 | 240  | 1 | p. 11 |  |  |
| 9699-0029-02 | 29   | 4    | p. 45 | 9942-0612-16 | 110  | 2  | p. 45 | 394856 | 801  | 1 | p. 9  |  |  |
| 9699-0035-02 | 8    | 5    | p. 35 | 9942-0816-16 | 20   | 16 | p. 21 | 394890 | 501  | 1 | p. 9  |  |  |
| 9699-0035-02 | 34   | 1    | p. 21 | 9942-0816-16 | 38   | 2  | p. 45 | 398003 | 513  | 1 | p. 9  |  |  |
| 9699-0037-02 | 23   | 1    | p. 45 | 9959-0612-16 | 67   | 5  | p. 45 | 398525 | 985  | 1 | p. 9  |  |  |
| 9699-0042-02 | 54   | 2    | p. 21 | 9959-0816-16 | 14   | 1  | p. 25 | 399169 | 309  | 1 | p. 9  |  |  |
| 9699-0056-02 | 35   | 1    | p. 27 | 9959-0816-16 | 21   | 4  | p. 21 | 399172 | 803  | 1 | p. 9  |  |  |
| 9699-0056-02 | 57   | 3    | p. 21 | 9959-0816-16 | 50   | 3  | p. 31 | 490309 | 544  | 1 | p. 9  |  |  |
| 9699-0062-02 | 11   | 2    | p. 37 | 9959-0820-16 | 6    | 2  | p. 45 | 490310 | 802  | 1 | p. 9  |  |  |
| 9699-0062-02 | 11   | 2    | p. 39 | 9959-0820-16 | 6    | 4  | p. 31 | 490311 | 311  | 2 | p. 9  |  |  |
| 9699-0062-02 | 35   | 1    | p. 25 | 9959-0820-16 | 23   | 4  | p. 21 | 490316 | 1003 | 1 | p. 9  |  |  |
| 9699-0062-02 | 53   | 2    | p. 27 | 9959-0820-16 | 33   | 1  | p. 27 | 490421 | 510  | 1 | p. 9  |  |  |
| 9699-0062-02 | 69   | 2    | p. 21 | 9959-0820-16 | 49   | 1  | p. 25 | 490467 | 876  | 1 | p. 9  |  |  |
| 9699-0087-02 | 8    | 3    | p. 21 | 9959-0830-16 | 80   | 1  | p. 31 | 491055 | 337  | 2 | p. 15 |  |  |
| 9699-0090-02 | 22   | 2    | p. 35 | 9959-1020-16 | 33   | 1  | p. 23 | 491056 | 1027 | 1 | p. 15 |  |  |
| 9699-0090-02 | 79   | 1    | p. 31 | 9959-1025-16 | 31   | 1  | p. 23 | 491875 | 467  | 1 | p. 11 |  |  |
| 9699-0090-02 | 79   | 6    | p. 45 | 9959-1025-16 | 45   | 1  | p. 27 | 491922 | 387  | 1 | p. 11 |  |  |
| 9699-0099-02 | 5    | 2    | p. 33 | 9959-1030-16 | 28   | 1  | p. 45 | 492341 | 333  | 1 | p. 9  |  |  |
| 9699-0099-02 | 5    | 4    | p. 25 | 9987-5332-16 | 56   | 1  | p. 27 | 493792 | 356  | 1 | p. 9  |  |  |
| 9699-0103-02 | 26   | 1    | p. 35 | 9987-5338-12 | 19   | 1  | p. 45 | 805006 | 54   | 4 | p. 11 |  |  |
| 9699-0103-02 | 26   | 1    | p. 35 | 9987-5338-12 | 56   | 1  | p. 27 | 805007 | 75   | 1 | p. 9  |  |  |
| 9699-0103-02 | 26   | 1    | p. 35 | 9988-3616-16 | 4    | 4  | p. 39 | 805009 | 657  | 2 | p. 15 |  |  |
| 9699-0109-02 | 43   | 1    | p. 27 | 9988-3616-16 | 4    | 4  | p. 39 | 805011 | 524  | 1 | p. 15 |  |  |
| 9699-0114-02 | 26   | 1    | p. 35 | 9997-0512-16 | 2    | 4  | p. 25 | 805012 | 842  | 1 | p. 15 |  |  |
| 9699-0114-02 | 26   | 1    | p. 35 | 9997-0520-16 | 18   | 1  | p. 33 | 805016 | 24   | 1 | p. 15 |  |  |
| 9739-0531-22 | 33   | 1    | p. 33 | 9997-0520-16 | 37   | 3  | p. 31 | 805017 | 22   | 9 | p. 15 |  |  |
| 9739-0531-22 | 108  | 6    | p. 31 | 9997-0520-16 | 51   | 1  | p. 25 | 805018 | 277  | 1 | p. 15 |  |  |
| 9739-0531-22 | 108  | 6    | p. 45 | 9997-0612-16 | 87   | 2  | p. 45 | 805019 | 171  | 4 | p. 15 |  |  |
| 9739-0631-22 | 61   | 2    | p. 27 | 9997-0616-16 | 27   | 1  | p. 45 | 805021 | 332  | 1 | p. 9  |  |  |
| 9739-0631-22 | 70   | 2    | p. 21 | 9997-0616-16 | 62   | 2  | p. 27 | 805023 | 52   | 2 | p. 11 |  |  |
| 9739-0631-22 | 88   | 3    | p. 45 | 9997-0670-12 | 66   | 1  | p. 23 | 805024 | 883  | 2 | p. 15 |  |  |
| 9739-0831-22 | 1    | 3    | p. 27 | 9997-0812-02 | 25   | 1  | p. 25 | 805025 | 307  | 2 | p. 15 |  |  |
| 9739-0831-22 | 6    | 7    | p. 25 | 9997-0812-02 | 55   | 2  | p. 45 | 805025 | 307  | 6 | p. 11 |  |  |
| 9739-0831-22 | 7    | 2    | p. 45 | 9997-0835-12 | 7    | 4  | p. 25 | 805028 | 1022 | 2 | p. 15 |  |  |
| 9739-0831-22 | 7    | 9    | p. 31 | 9997-0835-12 | 103  | 1  | p. 31 | 805030 | 982  | 2 | p. 15 |  |  |
| 9739-0831-22 | 14   | 8    | p. 21 | 9997-0835-12 | 105  | 1  | p. 45 | 805048 | 15   | 1 | p. 15 |  |  |
| 9739-1031-22 | 7    | 3    | p. 35 | 9997-0840-16 | 20   | 1  | p. 45 | 805049 | 20   | 1 | p. 15 |  |  |
| 9739-1031-22 | 14   | 4    | p. 35 | 9997-0840-16 | 54   | 2  | p. 45 | 805054 | 87   | 1 | p. 15 |  |  |
| 9739-1031-22 | 91   | 1    | p. 27 | 9997-0845-12 | 41   | 2  | p. 45 | 805057 | 819  | 1 | p. 11 |  |  |
| 9747-0531-02 | 20   | 1    | p. 31 | 9997-0850-16 | 32   | 1  | p. 45 | 805057 | 819  | 2 | p. 15 |  |  |
| 9747-0631-02 | 67   | 1    | p. 21 | 9997-0850-16 | 34   | 1  | p. 29 | 805058 | 116  | 2 | p. 15 |  |  |
| 9747-0831-02 | 23   | 2    | p. 35 | 9997-0865-12 | 54   | 1  | p. 29 | 805059 | 84   | 2 | p. 15 |  |  |
| 9747-0831-02 | 26   | 1    | p. 25 | 9997-0870-16 | 81   | 1  | p. 31 | 805073 | 166A | 1 | p. 15 |  |  |
| 9747-0831-02 | 42   | 2    | p. 45 | 9997-0870-16 | 104  | 4  | p. 45 | 805078 | 35   | 4 | p. 15 |  |  |
| 9747-0831-02 | 83   | 6    | p. 45 | 9997-1030-16 | 6    | 3  | p. 35 | 805083 | 864  | 2 | p. 15 |  |  |
| 9794-5131-02 | 42   | 2    | p. 33 | 9997-1030-16 | 17   | 1  | p. 45 | 805084 | 871  | 4 | p. 15 |  |  |
| 9795-3631-02 | 41   | 4    | p. 37 | 9997-1030-16 | 28   | 1  | p. 29 | 805085 | 869  | 2 | p. 15 |  |  |
| 9795-3631-02 | 41   | 4    | p. 39 | 9997-1040-12 | 12   | 2  | p. 35 | 805086 | 870  | 2 | p. 15 |  |  |
| 9799-0831-02 | 16   | 2    | p. 25 | 9997-1070-12 | 93   | 1  | p. 29 | 805089 | 33   | 2 | p. 15 |  |  |
| 9799-1031-02 | 9    | 1    | p. 45 | 9997-1450-16 | 32   | 1  | p. 29 | 805090 | 34   | 2 | p. 15 |  |  |
| 9799-1031-02 | 31   | 1    | p. 27 | 9997-1450-16 | 32   | 1  | p. 29 | 805092 | 40   | 4 | p. 15 |  |  |
| 9799-1031-02 | 31   | 1    | p. 45 | 9997-1450-16 | 90   | 1  | p. 45 | 805094 | 868  | 4 | p. 15 |  |  |
| 9847-7922-16 | 3    | 2    | p. 33 | 19203        | 363  | 1  | p. 9  | 805097 | 13   | 8 | p. 15 |  |  |
| 9847-8016-16 | 19   | 1    | p. 27 | 90576        | 354a | 1  | p. 9  | 805099 | 27   | 4 | p. 15 |  |  |
| 9849-7819-16 | 128  | 2    | p. 31 | 92791        | 353  | 1  | p. 9  | 805100 | 1023 | 1 | p. 15 |  |  |
| 9849-8009-16 | 21   | 2    | p. 33 | 93053        | 601  | 2  | p. 11 | 805100 | 1023 | 1 | p. 15 |  |  |
| 9849-8013-16 | 4    | 4    | p. 33 | 93722        | 520  | 1  | p. 9  | 805101 | 3    | 1 | p. 15 |  |  |
| 9849-8013-16 | 9    | 3    | p. 21 | 94169        | 310  | 2  | p. 9  | 805103 | 718  | 2 | p. 15 |  |  |
| 9849-8013-16 | 26   | 2    | p. 21 | 94288        | 896  | 1  | p. 9  | 805107 | 2    | 1 | p. 15 |  |  |
| 9849-8013-16 | 33   | 2    | p. 25 | 221535       | 265  | 2  | p. 11 | 805112 | 12   | 1 | p. 15 |  |  |
| 9863-3613-16 | 4    | 4    | p. 37 | 221798       | 851  | 1  | p. 9  | 805149 | 51   | 1 | p. 11 |  |  |
| 9897-1040-12 | 13   | 2    | p. 35 | 271271       | 535  | 1  | p. 11 | 805158 | 613  | 4 | p. 15 |  |  |
| 9898-0820-16 | 3    | 2    | p. 37 | 280104       | 783  | 1  | p. 9  | 805161 | 42   | 4 | p. 15 |  |  |
| 9898-0820-16 | 3    | 2    | p. 39 | 280829       | 324  | 1  | p. 9  | 805169 | 351  | 2 | p. 11 |  |  |
| 9942-0612-16 | 14   | 1    | p. 33 | 393295       | 474  | 1  | p. 9  | 805193 | 6    | 8 | p. 15 |  |  |
|              |      |      |       | 393815       | 187  | 1  | p. 11 | 805197 | 572  | 1 | p. 15 |  |  |



| code   | pos. | q.ty | page  |        |      |   |       |        |     |   |       |
|--------|------|------|-------|--------|------|---|-------|--------|-----|---|-------|
| 805198 | 116A | 1    | p. 15 | 805655 | 537  | 1 | p. 11 | 807869 | 308 | 1 | p. 19 |
| 805247 | 188  | 2    | p. 9  | 805675 | 741  | 1 | p. 17 | 807869 | 308 | 1 | p. 19 |
| 805250 | 978  | 1    | p. 15 | 805738 | 866  | 1 | p. 17 | 807899 | 304 | 1 | p. 19 |
| 805260 | 423  | 2    | p. 15 | 805751 | 10   | 1 | p. 17 | 807960 | 147 | 1 | p. 13 |
| 805292 | 1028 | 1    | p. 15 | 805777 | 94   | 1 | p. 11 | 807961 | 125 | 1 | p. 13 |
| 805312 | 243  | 1    | p. 15 | 807511 | 1    | 1 | p. 17 | 807962 | 121 | 1 | p. 13 |
| 805313 | 1025 | 1    | p. 15 | 807516 | 523  | 1 | p. 17 | 807986 | 7   | 2 | p. 19 |
| 805317 | 823  | 2    | p. 11 | 807528 | 227  | 1 | p. 17 | 807987 | 5.1 | 1 | p. 19 |
| 805317 | 823  | 2    | p. 15 | 807531 | 23   | 1 | p. 9  | 807988 | 5.2 | 1 | p. 19 |
| 805329 | 122  | 1    | p. 11 | 807542 | 46   | 1 | p. 17 | 807989 | 358 | 1 | p. 13 |
| 805341 | 1031 | 4    | p. 15 | 807546 | 1024 | 1 | p. 17 | 807989 | 358 | 1 | p. 19 |
| 805342 | 1030 | 2    | p. 17 | 807557 | 1029 | 4 | p. 17 | 810078 | 354 | 1 | p. 13 |
| 805343 | 166  | 4    | p. 17 | 807586 | 16   | 1 | p. 17 |        |     |   |       |
| 805343 | 1030 | 2    | p. 17 | 807596 | 616  | 1 | p. 17 |        |     |   |       |
| 805352 | 1026 | 2    | p. 17 | 807609 | 271  | 1 | p. 11 |        |     |   |       |
| 805352 | 1026 | 2    | p. 17 | 807610 | 222  | 1 | p. 11 |        |     |   |       |
| 805352 | 1026 | 2    | p. 17 | 807611 | 525  | 1 | p. 17 |        |     |   |       |
| 805354 | 45   | 4    | p. 17 | 807619 | 25   | 2 | p. 17 |        |     |   |       |
| 805360 | 53   | 2    | p. 11 | 807619 | 25   | 2 | p. 17 |        |     |   |       |
| 805362 | 11   | 1    | p. 17 | 807620 | 26   | 2 | p. 17 |        |     |   |       |
| 805379 | 9    | 1    | p. 17 | 807620 | 26   | 2 | p. 17 |        |     |   |       |
| 805381 | 562  | 1    | p. 17 | 807620 | 26   | 2 | p. 17 |        |     |   |       |
| 805383 | 592  | 1    | p. 17 | 807621 | 28   | 2 | p. 17 |        |     |   |       |
| 805395 | 32   | 4    | p. 17 | 807622 | 29   | 2 | p. 17 |        |     |   |       |
| 805402 | 668  | 1    | p. 9  | 807623 | 192  | 2 | p. 17 |        |     |   |       |
| 805406 | 305  | 1    | p. 11 | 807638 | 18   | 1 | p. 17 |        |     |   |       |
| 805406 | 305  | 12   | p. 17 | 807663 | 573  | 1 | p. 17 |        |     |   |       |
| 805407 | 334  | 6    | p. 9  | 807665 | 1023 | 1 | p. 19 |        |     |   |       |
| 805409 | 50   | 1    | p. 11 | 807665 | 1023 | 1 | p. 19 |        |     |   |       |
| 805412 | 552  | 1    | p. 17 | 807665 | 1023 | 1 | p. 19 |        |     |   |       |
| 805413 | 552A | 1    | p. 17 | 807685 | 788  | 1 | p. 11 |        |     |   |       |
| 805416 | 634  | 1    | p. 17 | 807705 | 98   | 1 | p. 11 |        |     |   |       |
| 805417 | 614  | 1    | p. 17 | 807706 | 105  | 1 | p. 11 |        |     |   |       |
| 805420 | 167  | 4    | p. 17 | 807707 | 118  | 1 | p. 11 |        |     |   |       |
| 805439 | 216  | 1    | p. 11 | 807709 | 131  | 1 | p. 11 |        |     |   |       |
| 805447 | 78   | 3    | p. 9  | 807710 | 133  | 1 | p. 11 |        |     |   |       |
| 805449 | 189  | 2    | p. 17 | 807711 | 141  | 1 | p. 13 |        |     |   |       |
| 805453 | 209A | 1    | p. 11 | 807713 | 254  | 1 | p. 13 |        |     |   |       |
| 805460 | 209  | 1    | p. 11 | 807714 | 955A | 1 | p. 13 |        |     |   |       |
| 805465 | 232  | 1    | p. 11 | 807715 | 975  | 1 | p. 13 |        |     |   |       |
| 805480 | 201  | 1    | p. 11 | 807717 | 1037 | 1 | p. 13 |        |     |   |       |
| 805483 | 722  | 1    | p. 17 | 807795 | 8    | 1 | p. 19 |        |     |   |       |
| 805488 | 526  | 2    | p. 9  | 807797 | 1014 | 1 | p. 13 |        |     |   |       |
| 805505 | 727  | 1    | p. 17 | 807805 | 726  | 1 | p. 9  |        |     |   |       |
| 805529 | 635  | 2    | p. 17 | 807807 | 25   | 2 | p. 19 |        |     |   |       |
| 805561 | 95   | 2    | p. 11 | 807807 | 25   | 2 | p. 19 |        |     |   |       |
| 805562 | 108  | 1    | p. 11 | 807807 | 25   | 2 | p. 19 |        |     |   |       |
| 805570 | 127  | 1    | p. 11 | 807808 | 26   | 2 | p. 19 |        |     |   |       |
| 805571 | 127A | 1    | p. 11 | 807808 | 26   | 2 | p. 19 |        |     |   |       |
| 805572 | 130  | 1    | p. 11 | 807808 | 26   | 2 | p. 19 |        |     |   |       |
| 805574 | 634B | 1    | p. 11 | 807809 | 25   | 2 | p. 19 |        |     |   |       |
| 805575 | 987  | 1    | p. 11 | 807809 | 25   | 2 | p. 19 |        |     |   |       |
| 805576 | 634A | 1    | p. 11 | 807809 | 25   | 2 | p. 19 |        |     |   |       |
| 805577 | 615A | 1    | p. 11 | 807810 | 26   | 2 | p. 19 |        |     |   |       |
| 805578 | 615  | 1    | p. 11 | 807810 | 26   | 2 | p. 19 |        |     |   |       |
| 805580 | 634C | 1    | p. 11 | 807810 | 26   | 2 | p. 19 |        |     |   |       |
| 805581 | 1013 | 1    | p. 11 | 807811 | 25   | 2 | p. 19 |        |     |   |       |
| 805586 | 104  | 1    | p. 11 | 807811 | 25   | 2 | p. 19 |        |     |   |       |
| 805592 | 955  | 1    | p. 11 | 807811 | 25   | 2 | p. 19 |        |     |   |       |
| 805617 | 1026 | 2    | p. 17 | 807812 | 26   | 2 | p. 19 |        |     |   |       |
| 805617 | 1026 | 2    | p. 17 | 807812 | 26   | 2 | p. 19 |        |     |   |       |
| 805617 | 1026 | 2    | p. 17 | 807812 | 26   | 2 | p. 19 |        |     |   |       |
| 805631 | 643  | 1    | p. 11 | 807857 | 161  | 1 | p. 13 |        |     |   |       |
| 805632 | 1004 | 1    | p. 17 | 807859 | 862  | 1 | p. 13 |        |     |   |       |
| 805636 | 879  | 1    | p. 17 | 807862 | 642  | 1 | p. 13 |        |     |   |       |
| 805641 | 729  | 1    | p. 9  | 807868 | 308  | 1 | p. 19 |        |     |   |       |
|        |      |      |       | 807868 | 308  | 1 | p. 19 |        |     |   |       |