



Reservdelskatalog Parts Catalogue

PARK 18HST MAGPRO

13-1448-19 - Season 1996

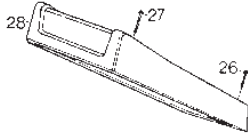
- Use GLOBAL GARDEN PRODUCT Genuine Spare Parts specified in the parts list for repair and/or replacement.
 - The contents described in the parts list may change due to improvement.
 - The drawings of the spare parts are only indicative and might not represent the part in question exactly.
 - The indications "right" - "left" - "front" - "rear" refer to the position of the operator when using the machine.
- When placing orders of parts for repair and/or replacement, make sure that the illustrated parts list is the one applying to the machine's year of manufacture, as shown on the identification plate attached to the machine.

© Copyright 2014 Global Garden Products

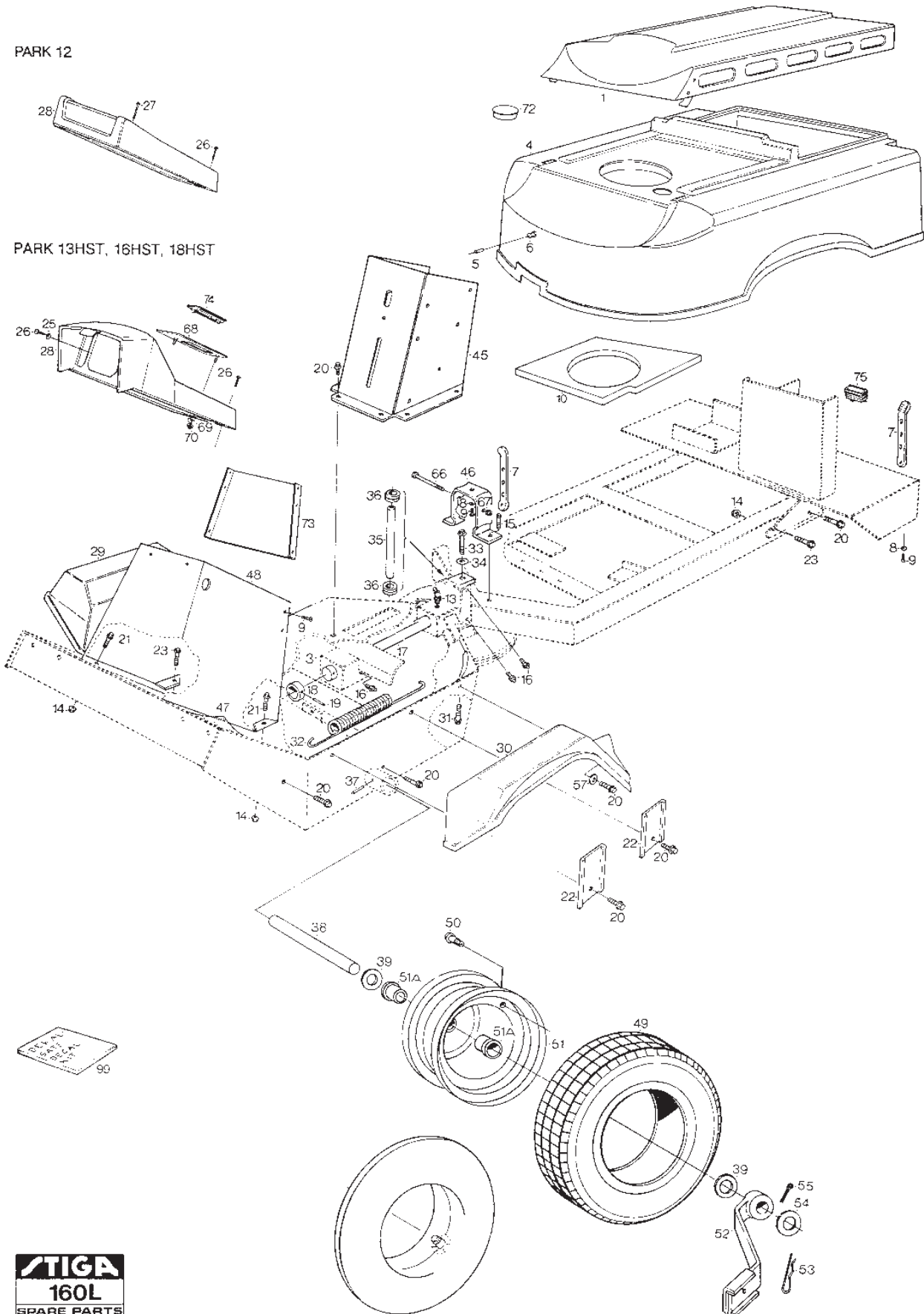
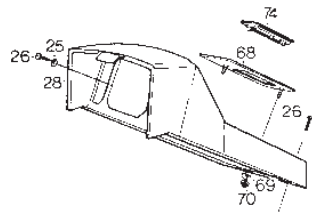
All rights reserved. No part of this material may be reproduced or transmitted, in any form or by any means, electronic or mechanical, including photocopying, recording or by any information storage and retrieval system, without permission in writing from GLOBAL GARDEN PRODUCTS.

www.stiga.com

PARK 12

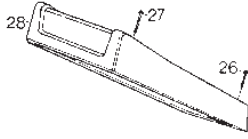


PARK 13HST, 16HST, 18HST

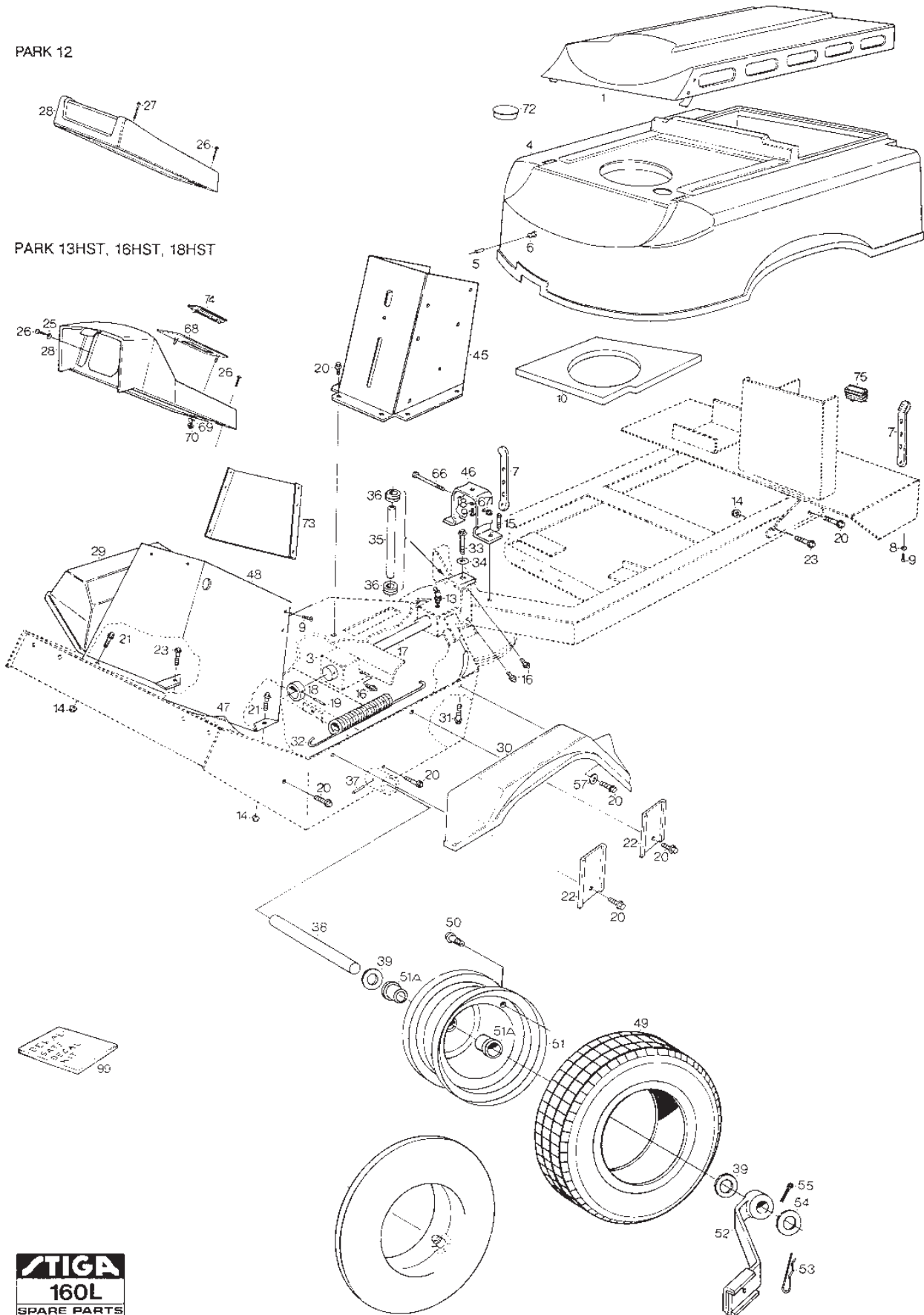
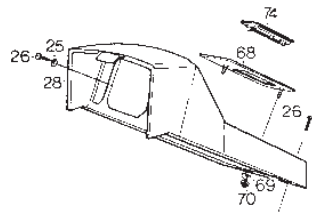


Utgåva Issue 41 - 2014		Ram	Frame		
Pos. Fig.	Antal Quantity	Art nr Part No	Benämning	Description	Anmärkning Notes
1	1	1134-2215-01	Motorlucka5-01	Engine Cover (Black)	
3	1	1134-3411-03	Främre ram	Front frame	
4	1	1134-3215-01	Motorhuv 1-00	Engine Hood	
5	3	9632-0516-00	Popnit Tap/D/Bs 416 Gf9.5	Pop Rivet	
6	3	9405-0029-00	Knopp	Knob	
7	1	1134-9028-01	Gummistropp (3 St)	Rubber Strap (3 Pcs)	Innehåller/contains 3
8	3	9699-0087-02	Bricka	Washer	
9	7	9849-8013-16	Skruv	Screw	
10	1	1134-2053-04	Ljudisoleringsmatta	Foam Pad	5 mm
13	1	9501-0502-00	Smörjnippel	Grease Joint	
14	8	9739-0831-22	Mutter	Nut	
15	2	9942-0612-16	Skruv	Screw	
16	4	9501-0500-00	Smörjkopp Kort Rak	Grease Dispenser	
17	1	1134-1757-07	Midjegaffel M Ledaxel 5-01 H-10	Clevis	
18	1	1134-0031-00	Ledaxelstopp	Pivot Shaft Stop	
19	1	9595-0262-00	Spännstift	Locating Pin	
20	18	9942-0816-16	Skruv	Screw	
21	4	9959-0816-16	Skruv	Screw	16 mm
22	4	1134-0225-00	Stödplåt	Support Plate	
23	4	9959-0820-16	Skruv	Screw	20 mm
25	2	9699-0099-02	Bricka	Washer	
26	4	9849-8013-16	Skruv	Screw	13 mm
28	1	1134-3371-03	Instrumentpanel P18 Hst	Panel	ART.NO.1448
28	1	1134-3371-02	Instrumentpanel (P16/18)	Panel	
29	1	1134-2174-02	Framskärm Höger1-00	Mudguard,Rh (Yellow)	
30	1	1134-2174-01	Framskärm Vänster1-00	Mudguard,Lh (Yellow)	
31	1	9959-1025-16	Skruv	Screw	
32	1	1134-2171-01	Fjäder	Spring	
33	1	9959-1020-16	Skruv	Screw	
34	1	9699-0035-02	Bricka	Washer	
35	1	1134-0057-00	Centrumaxel	Centre Shaft	
36	2	9547-0001-00	Ledlager Ge17Es	Bearing	
37	2	9595-0258-00	Spännstift	Locating Pin	
38	2	1134-0075-01	Framaxeltapp	Front Axle	
39	6	1134-0341-01	Bricka	Washer	
45	1	1134-3252-02	Sitskonsol-gul	Seat Bracket-Yellow	
46	1	1134-2951-01	Huvstöd Par	Engine Cover Support	
47	1	1134-3546-01	Durkmatta Park Hst	Floor Mat	
48	1	1134-2833-10	Frontdekor Kpl 1-00 02	Front Trim Plate	
49	2	9545-0116-00	Däck	Tyre	16 X 7.50-8
50	2	9545-0500-00	Ventil	Valve Assy.	
51	2	9549-0036-00	Kullager	Ball Bearing	
51	2	1134-2888-01	Fälg kpl	Rim assy	
52	2	1134-3710-01	Fäste Kpl 5-01 15	Attachment For Accessories	960416-
52	2	1134-1183-04	1134-3710-01+9599-0080-02	1134-3710-01+9599-0080-02	-960415
53	2	9599-0080-02	SaxSprint Sp 4*28	Cotter Pin	960416-
53	2	9598-0003-02			-960415
54	2	9699-0042-02	Bricka	Washer	
55	2	9599-0080-02	SaxSprint Sp 4*28	Cotter Pin	

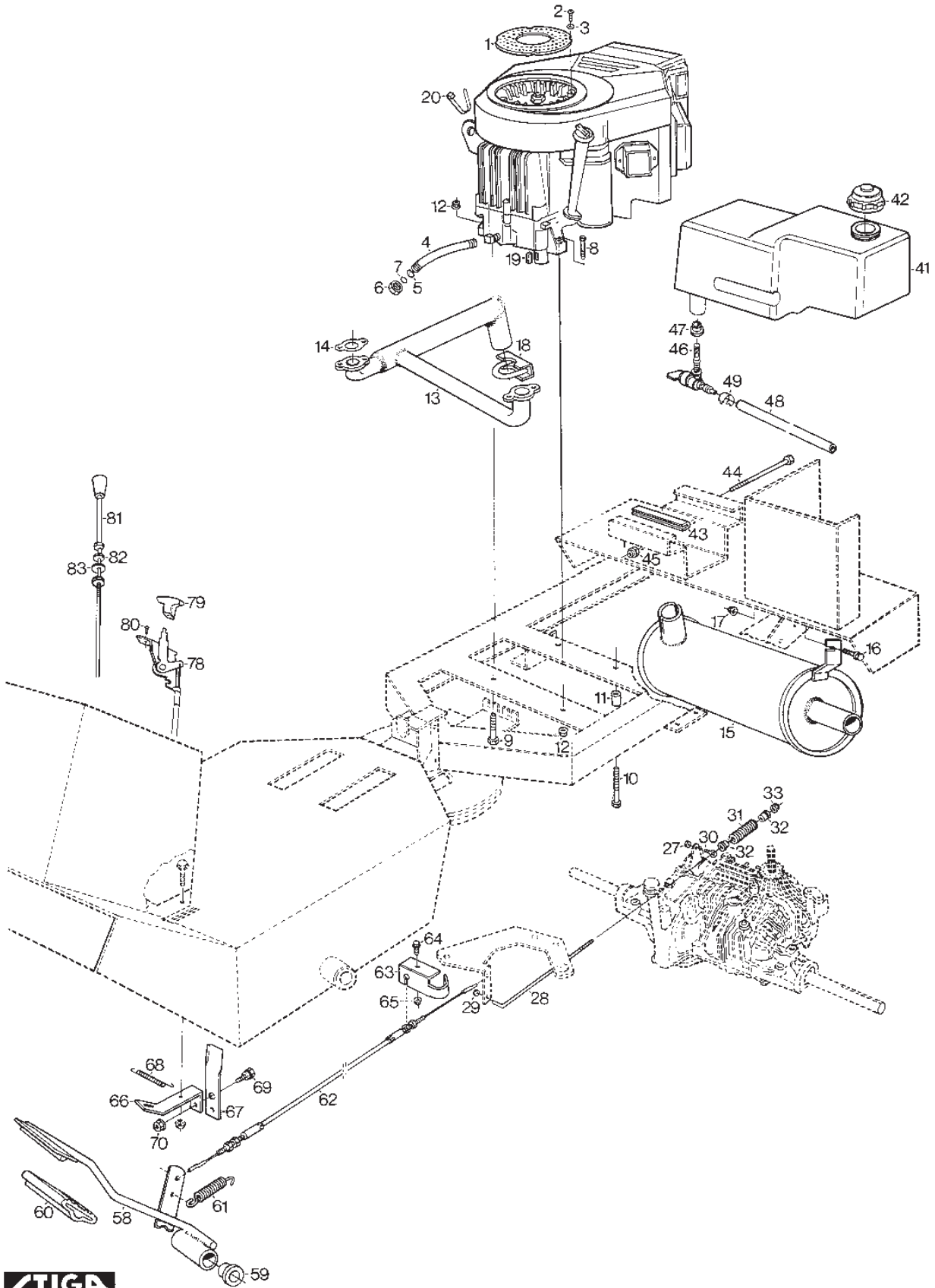
PARK 12



PARK 13HST, 16HST, 18HST

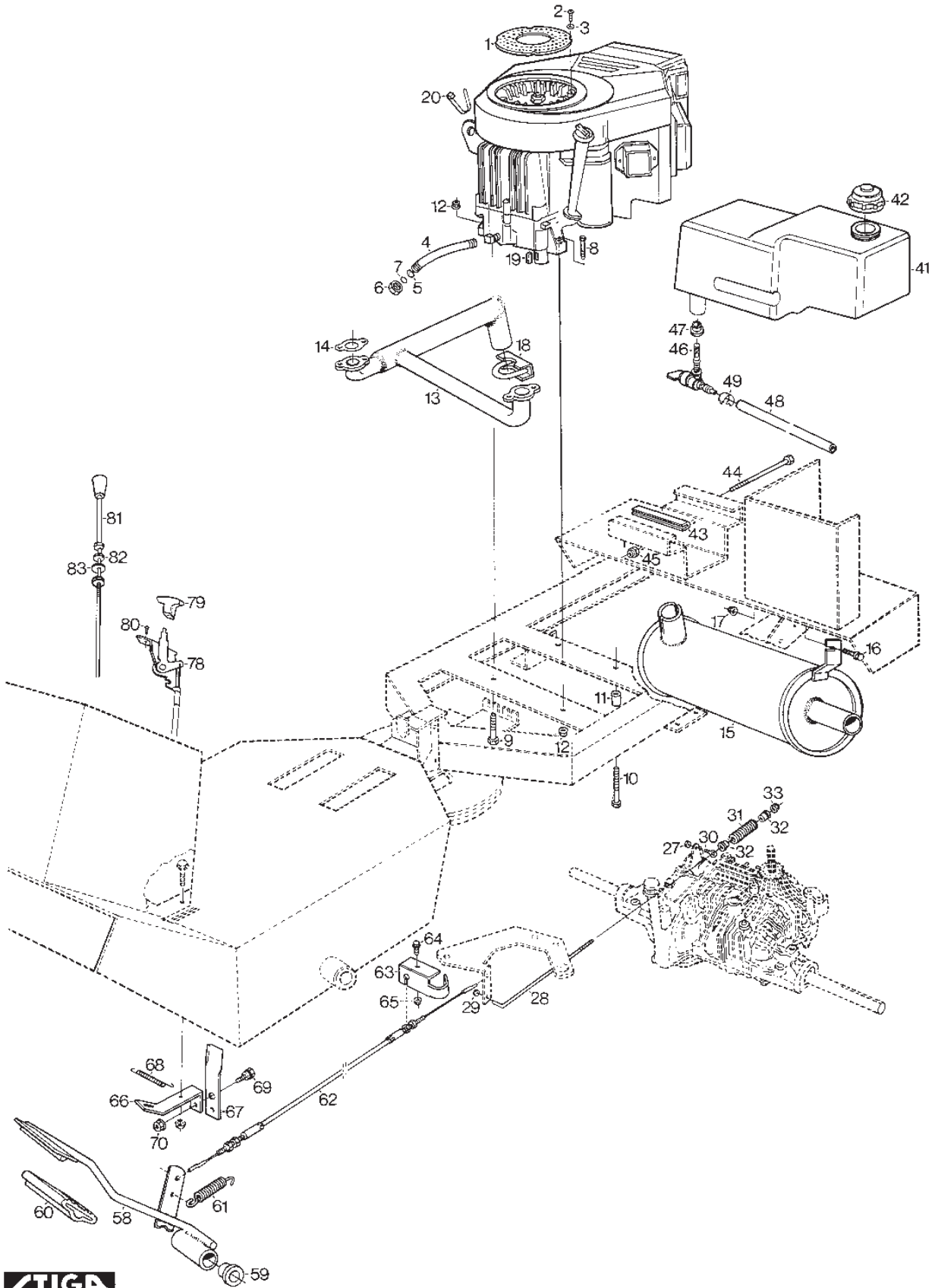


Utgåva Issue 41 - 2014		Ram Frame			
Pos. Fig.	Antal Quantity	Art nr Part No	Benämning	Description	Anmärkning Notes
57	2	9699-0056-02	Bricka	Washer	
66	1	9997-0670-12	Skruv	Screw	
67	1	9747-0631-02	Mutter Låsmutter	Nut	
68	1	1134-2870-01	Täckbricka Kpl5-01	Cover Plate	
69	1	9699-0060-02	Bricka	Washer	
70	1	9739-0631-22	Mutter Strålkastare	Nut Working lamp	
72	1	1134-2944-01	Plugg	Plug	
73	1	1134-3363-01	Lock (1-00 F12)	Cover	
75	3	1134-3540-01	Ändavslutning Ir 2030	Plastic Plug	Art.no. 1442-43-46-48
99	1	1134-3558-01	Dekalsats	Label Kit	

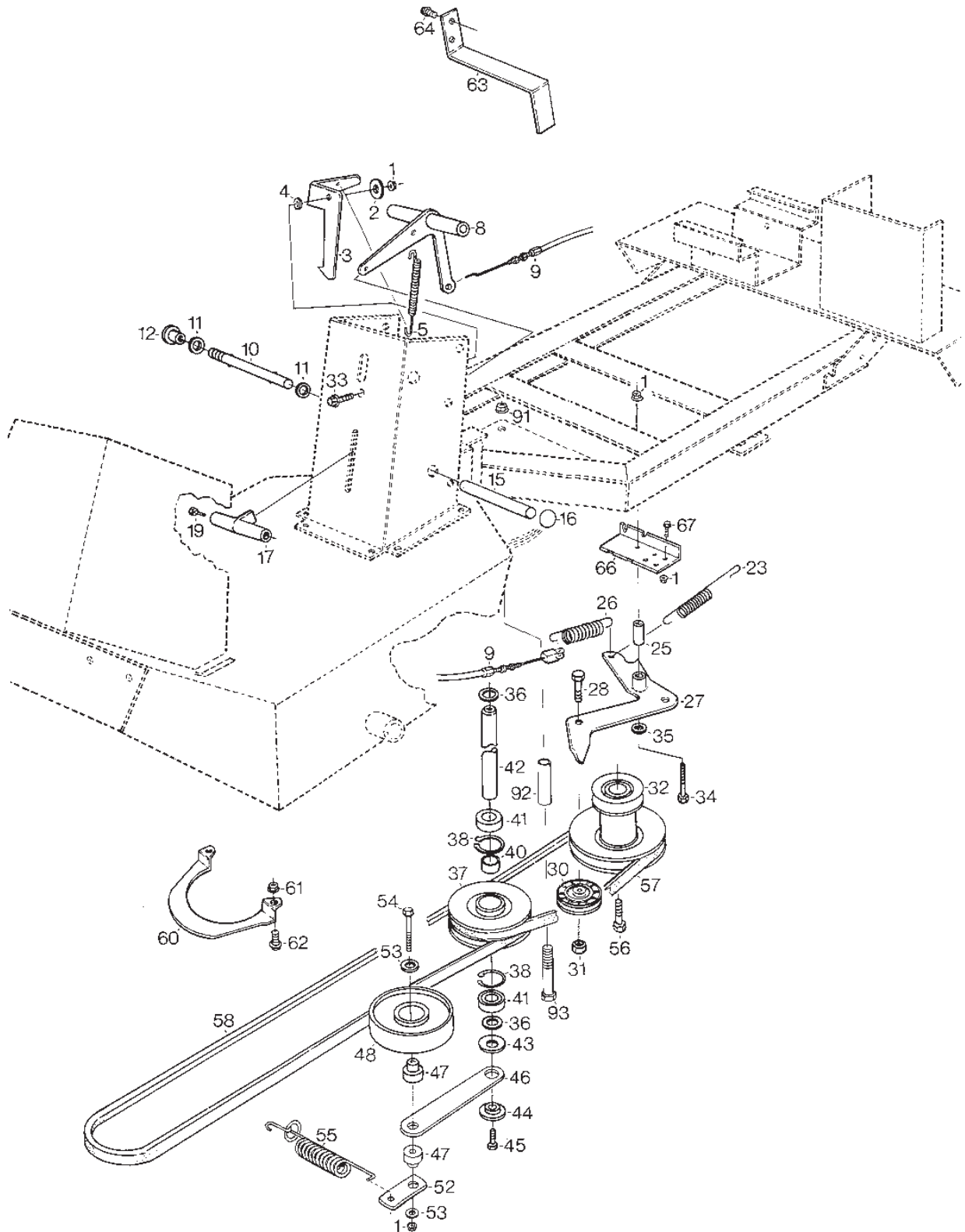


STIGA
531A
SPARE PARTS

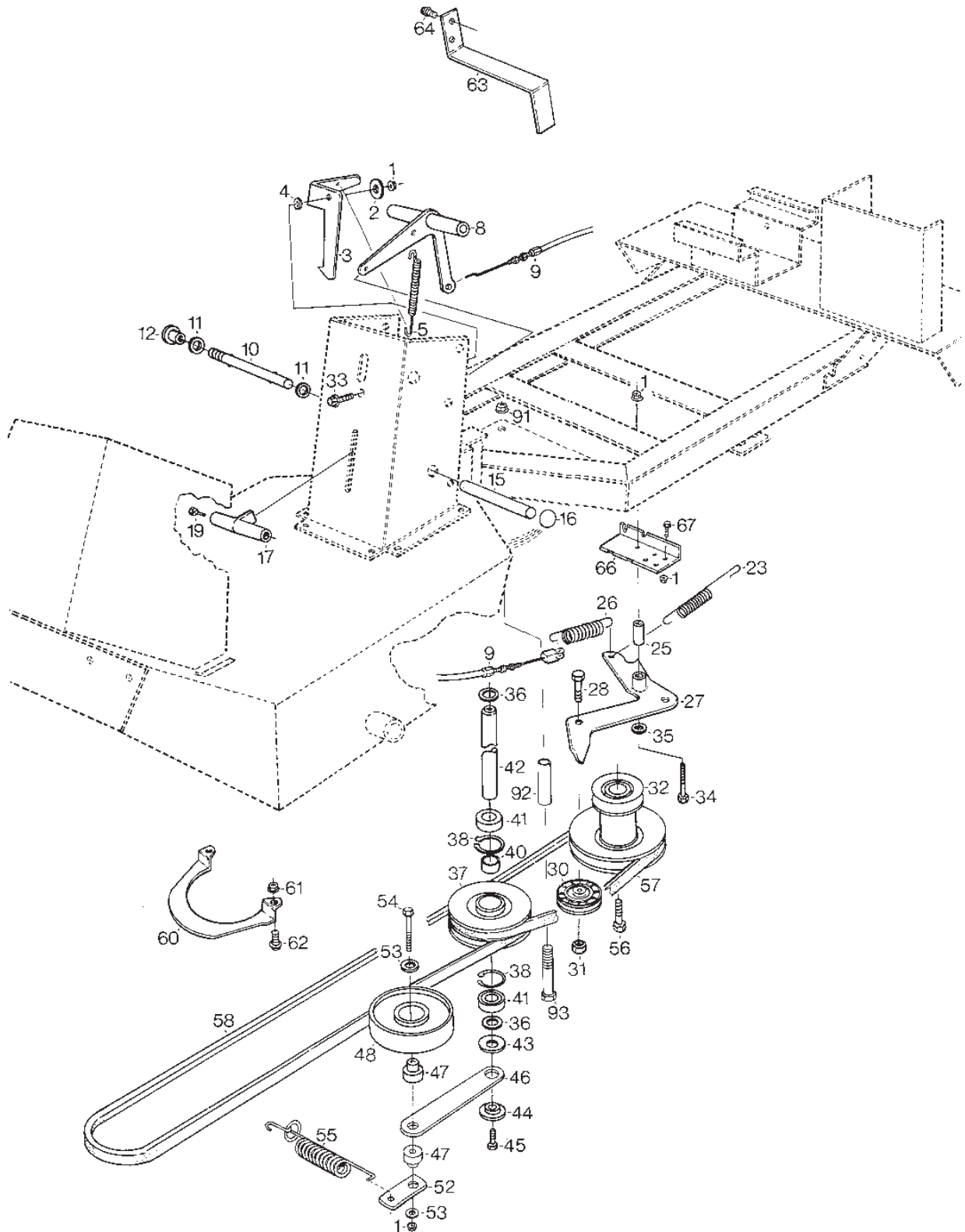
Utgåva Issue 41 - 2014		Motor Broms	Engine Brake		
Pos. Fig.	Antal Quantity	Art nr Part No	Benämning	Description	Anmärkning Notes
1	1	1134-2878-01	Fläktskydd	Fan Cover	
2	4	9997-0512-16	Skruv	Screw	
3	4	9699-0099-02	Bricka	Washer	
4	1	1134-3355-01	Oljeavtappningsrör Kpl.	Oil Drain Pipe	
5	1	1134-0997-01	Packning	Gasket	
6	1	1134-0995-01	Plugg	Plug	
7	1	9404-0020-00	O-Ring 11,3 X 2,4	O-ring	
8	1	9997-0840-16	Skruv	Screw	40 mm
9	2	9997-0840-16	Skruv	Screw	40 mm
10	1	9997-0870-16	Skruv	Screw	L = 70 mm
10	1	9997-0865-12	Skruv	Screw	65 mm
11	1	1134-0041-02	Bussning	Bushing	
11	1	1134-3380-01	Distans	Spacer	
12	4	9739-0831-22	Mutter	Nut	
13	1	1134-3455-01	Avgasrör Kpl	Exhaust Pipe	
14	2	1134-2988-01	Avgaspackning	Gasket-Exhaust	
15	1	1134-3574-01	Catalytic converter	Catalytic converter	Tillbehör/Accessory
15	1	1134-3244-01	Ljuddämpare	Silencer	
16	1	9959-0816-16	Skruv	Screw	
17	1	9739-0831-22	Mutter	Nut	
18	1	9578-0011-00	Klämma F Ljuddämp D35 Rid	Clamp	
19	1	9600-0251-00	Kil	Key	
20	1	9579-0003-00	Kablage Bunband Buntband	Cable harness Cable Cable Holder	
27	1	9747-0631-02	Mutter Låsmutter	Nut	
28	1	1134-3377-01	Reglagestång	Control Rod	
29	1	9675-0008-02	Starlockbricka	Starlock	
30	1	1134-1889-01	Skruvögla	Eye Bolt	
31	1	1134-1023-00	Fjäder	Brake Spring	
32	2	1134-3456-01	Bussning	Bushing	
33	1	9747-0631-02	Mutter Låsmutter	Nut	
41	1	1134-3593-01	Bränsletank	Fuel Tank	
42	1	1134-2877-02	Tanklock	Fuel Tank Cap	
43	2	1134-2941-01	Kantskyddslinje S	Protection Strip	
44	1	9997-0812-02	Skruv	Screw	
45	1	9747-0831-02	Mutter Låsmutter	Nut	
46	1	1134-3224-01	Bensinkran	Fuel Shut-Off Valve	
47	1	1134-3225-01	Gummibussning	Grommet	
48	1	1134-2975-04	Bränsleslang	Fuel Line	L = 710 mm
49	2	1134-3499-01	Slangklämma	Hose Clamp	
58	1	1134-3450-01	Bromspedal (vä sida)	Brake pedal (L. H.)	Vä sida/L.H. side
59	1	1134-9024-01	Lager (4 St)	Bearing	Sats 4 st/kit of 4
60	1	1134-0269-00	Pedalgummi	Pedal Rubber	
61	1	1131-1506-00	Fjäder	Spring	
62	1	1134-3584-01	Wire	Wire	
63	1	1134-3387-01	Fäste 24	Attachment	
64	1	9959-0816-16	Skruv	Screw	
65	1	9739-0831-22	Mutter	Nut	
66	1	1134-1184-02	Stag F Parkeringsbroms	Stay	



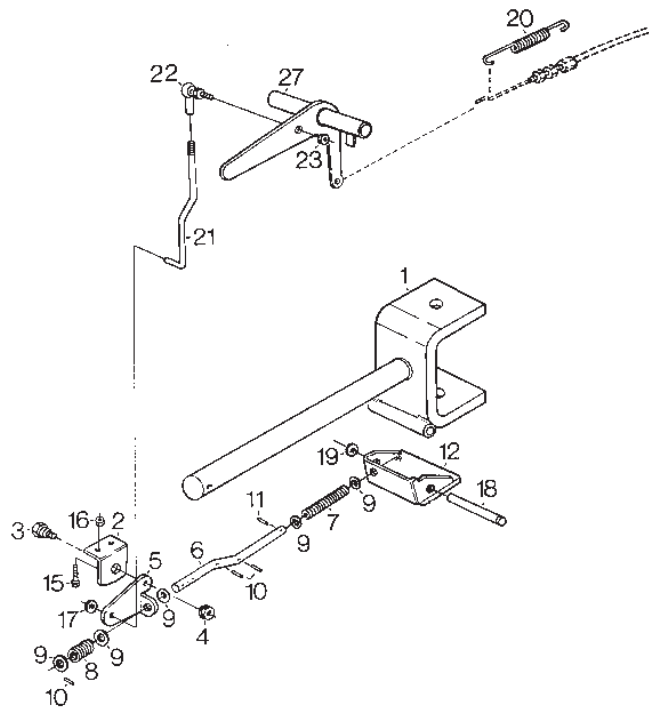
Utgåva Issue 41 - 2014		Motor Broms	Engine Brake		
Pos. Fig.	Antal Quantity	Art nr Part No	Benämning	Description	Anmärkning Notes
67	1	1134-2151-02	Spärr	Stop	
68	1	1131-1497-01	Fjäder	Brake Spring	
69	1	1134-0245-00	Skruv	Screw	
70	1	9739-0831-22	Mutter	Nut	
78	1	1134-1975-10	Gasreglage	Throttle Cable	
79	1	9403-0035-10	Knopp	Knob	
80	2	9849-8013-16	Skruv	Screw	
81	1	1134-2872-01	Chokereglage Kpl.	Choke Control	
82	1	9699-0028-02	Bricka	Washer	8.4 x 16 x 1.5 mm
83	1	9699-0062-02	Bricka	Washer	8.4 x 22 x 1.5 mm



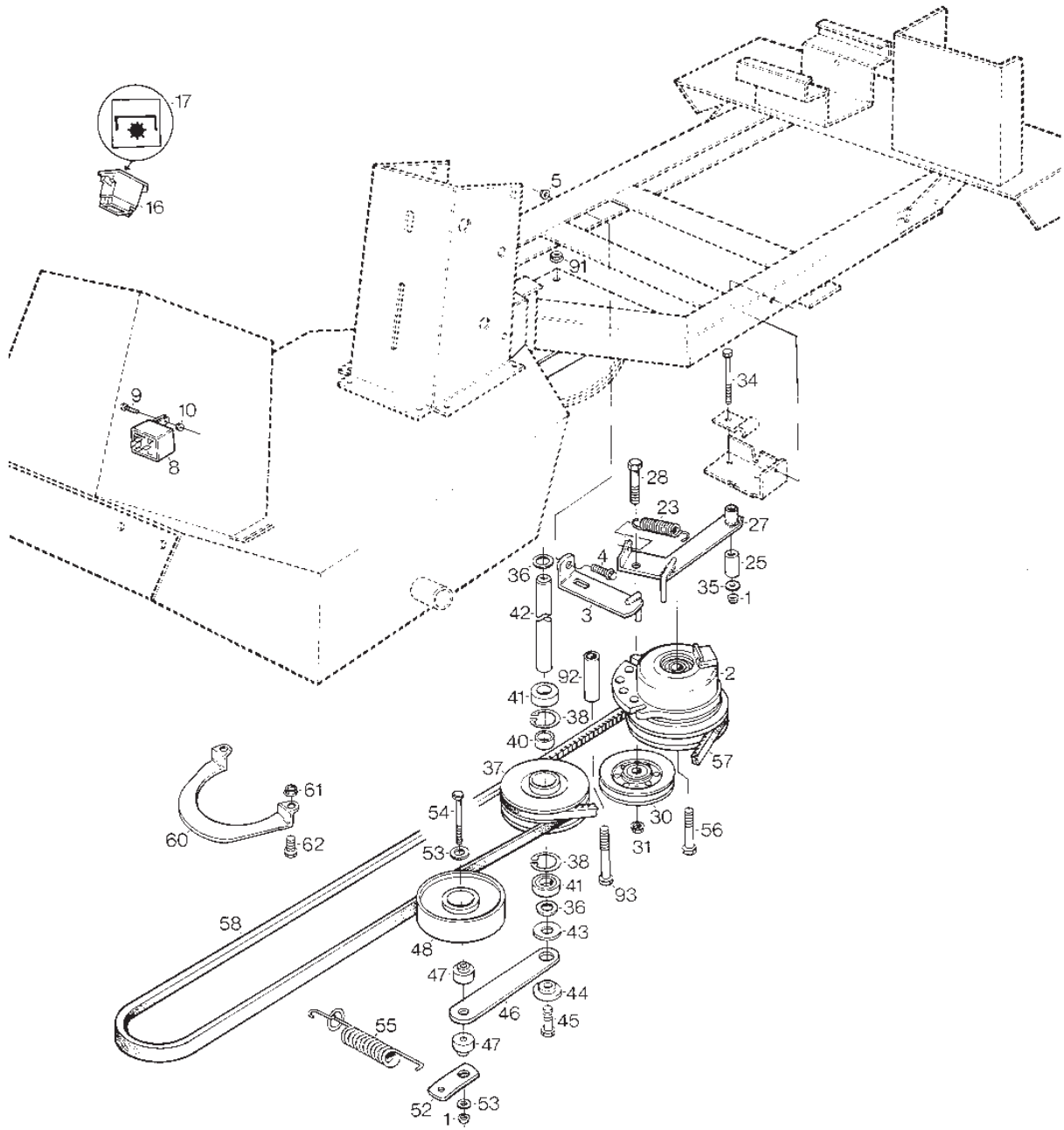
Utgåva Issue 41 - 2014		Power Take-Off			
Pos. Fig.	Antal Quantity	Art nr Part No	Benämning	Description	Anmärkning Notes
2	1	1134-0143-00	Bricka	Washer	
3	1	1134-2453-01	Låshake	Locking Pawl	
4	1	9695-0002-00	Bricka	Washer	
5	1	1131-1497-01	Fjäder	Brake Spring	
8	1	1134-1396-02	Spak	Lever	1442,1443,1446
8	1	1134-0027-01	Reglagespak	Control Lever	1168,1358,1458
9	1	1134-3573-01	Wire (Kraft)	Cable	
10	1	1134-1972-01	Urkopplingsspak	Disengaging Lever	
11	2	9699-0025-02	Bricka	Washer	
12	1	1134-0583-00	Knopp	Knob	
15	1	1134-0022-00	Reglagestång	Control Rod	
16	2	9672-0004-02			
17	1	1134-0153-00	T-Handtag	Handle Gear Shifter	
19	1	9847-8016-16	Skruv	Screw	
23	1	1131-1506-00	Fjäder	Spring	
25	1	1134-1565-01	Distans	Spacer	
26	1	1134-1242-02	Fjäder	Spring	
27	1	1134-2018-01	Spännarm Kpl 5-01 24	Tensioning Arm	
28	1	9997-1030-16	Skruv	Screw	
30	1	1134-9027-01	Spännrulle (Svart)	Tension Roller (Black)	
31	1	9799-1031-02	Mutter	Nut	
32	1	9997-1450-16	Skruv	Screw	Tillbehör/accessory
33	1	9959-0820-16	Skruv	Screw	
34	1	9997-0850-16	Skruv	Screw	
35	1	9699-0056-02	Bricka	Washer	
36	2	1134-0052-00	Distans	Spacer	
37	1	1134-1769-02	Remskiva	Belt Pulley	
38	2	9651-0040-04	Spårring Sgh 40	Circlip	
40	1	1134-0051-09	Distans	Spacer	
41	2	9549-0019-00	Kullager	Ball Bearing	
42	1	1134-0057-00	Centrumaxel	Centre Shaft	
43	1	9699-0109-02	Bricka	Washer	
44	1	1134-0222-00	Bricka	Washer	
45	1	9959-1025-16	Skruv	Screw	
46	1	1134-1730-01	Spännhjulssarm	Tensioning Wheel Arm	
47	2	1134-1888-01	Distans	Spacer	
48	1	1134-1770-01	Spännhjul Kpl	Tension Roller	
52	1	1134-1893-01	Fjäder	Spring	
53	2	9699-0062-02	Bricka	Washer	
54	1	9997-0865-12	Skruv	Screw	
55	1	1134-1322-01	Fjäder	Tensioning Wheel Spring	
56	1	9987-5338-12	Skruv	Screw	
57	1	1134-9012-01	Kilrem	V-Belt	=9585-0056-00
60	1	1134-3654-01	Fingerskydd 5-01 24	Guard	1168,1358,1458
61	2	9739-0631-22	Mutter Strålkastare	Nut Working lamp	
62	2	9959-0612-16	Skruv	Screw	
63	1	1134-2381-01	Remstyrning	Belt Guide	
64	2	9942-0816-16	Skruv	Screw	
91	1	9739-1031-22	Mutter	Nut	



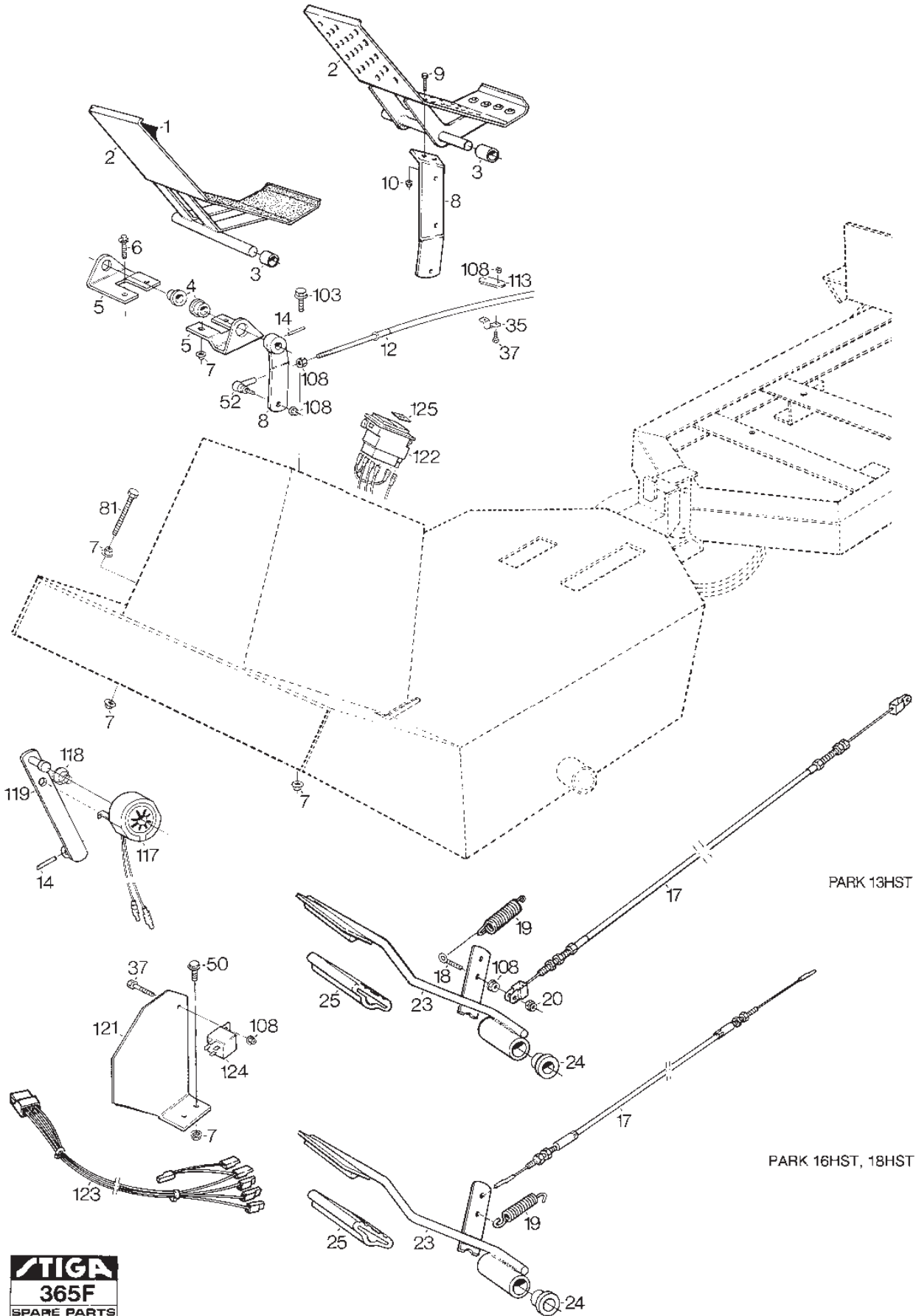
Utgåva Issue 41 - 2014		Power Take-Off			
Pos. Fig.	Antal Quantity	Art nr Part No	Benämning	Description	Anmärkning Notes
92	1	1134-0041-03	Bussning	Bushing	
93	1	9997-1070-12	Skruv	Screw	



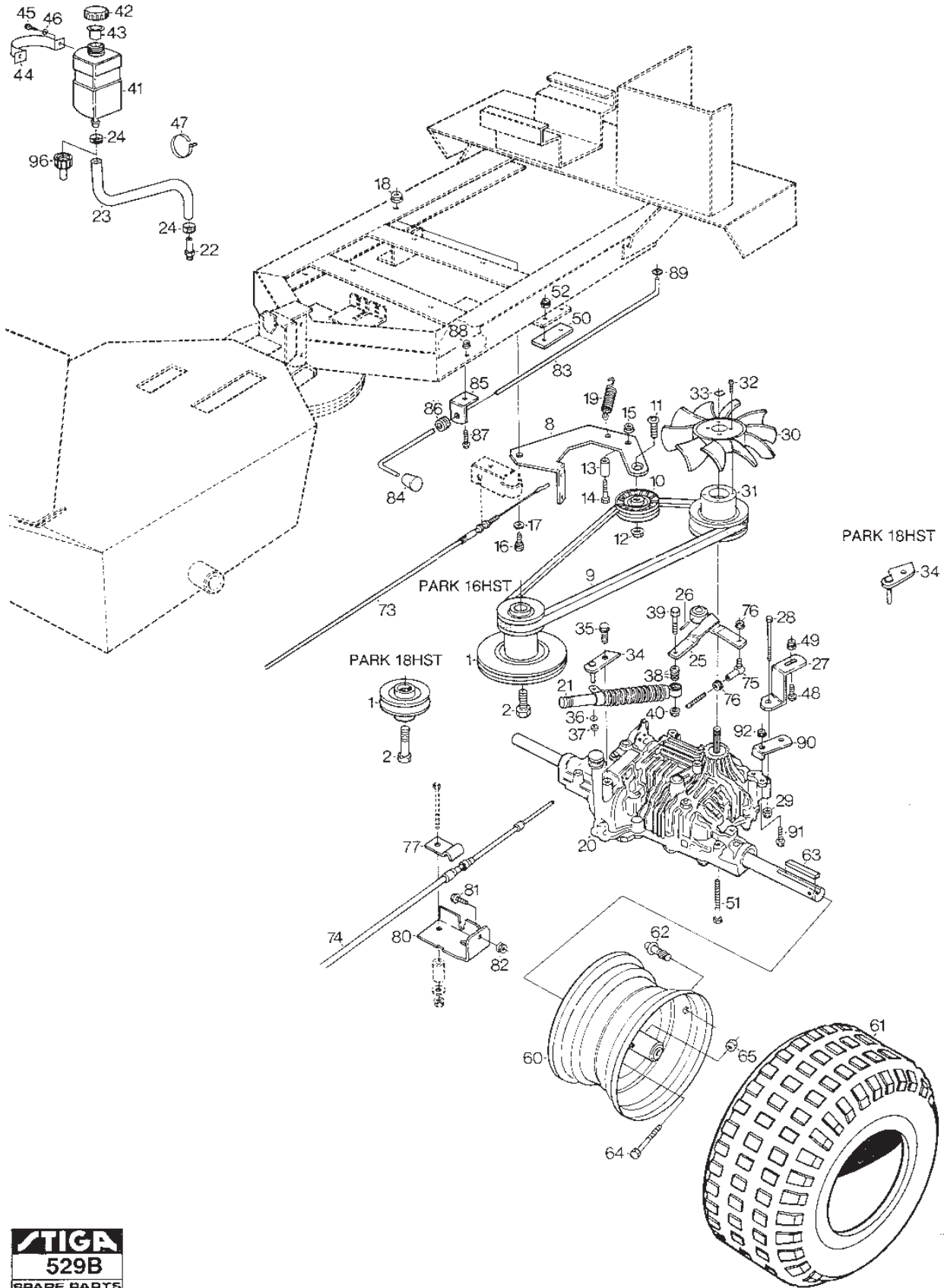
Utgåva Issue 41 - 2014		Kraftuttagsbroms		Pto-Brake	
Pos. Fig.	Antal Quantity	Art nr Part No	Benämning	Description	Anmärkning Notes
1	1	1134-1757-07	Midjegaffel M Ledaxel 5-01 H-10	Clevis	
2	1	1134-2518-01	Konsol	Console	
3	1	1134-0245-00	Skruv	Screw	
4	1	9739-0831-22	Mutter	Nut	
5	1	1134-2522-01	Pivotplatta	Plate	
6	1	1134-2520-02	Stag	Stay	
7	1	1134-2663-01	Fjäder	Spring	
8	1	1134-2529-01	Fjäder	Spring	
9	5	9699-0025-02	Bricka	Washer	
10	3	9595-0110-00	Spiralspnst Prym N 2*10	Locating Pin	
11	1	9595-0153-00	Spiralspännstift N3*12	Locating Pin	
12	1	1134-2524-01	Broms	Brake	
15	2	9959-0612-16	Skruv	Screw	
16	2	9739-0631-22	Mutter Strålkastare	Nut Working lamp	
17	1	9675-0009-02	Starlockbricka	Starlock	
18	1	1134-2521-01	Axel	Shaft	
19	2	9675-0009-02	Starlockbricka	Starlock	
20	1	1134-3633-01	Fjäder	Spring	
21	1	1134-2519-03	Stag	Stay	
22	1	9570-0004-00	Vinkellänk As 10 Din71802M6	Elbow Link	
23	1	9799-0631-02	Mutter	Nut	
27	1	1134-1396-02	Spak	Lever	1442,1443,1446
27	1	1134-0027-01	Reglagespak	Control Lever	1168,1358,1458



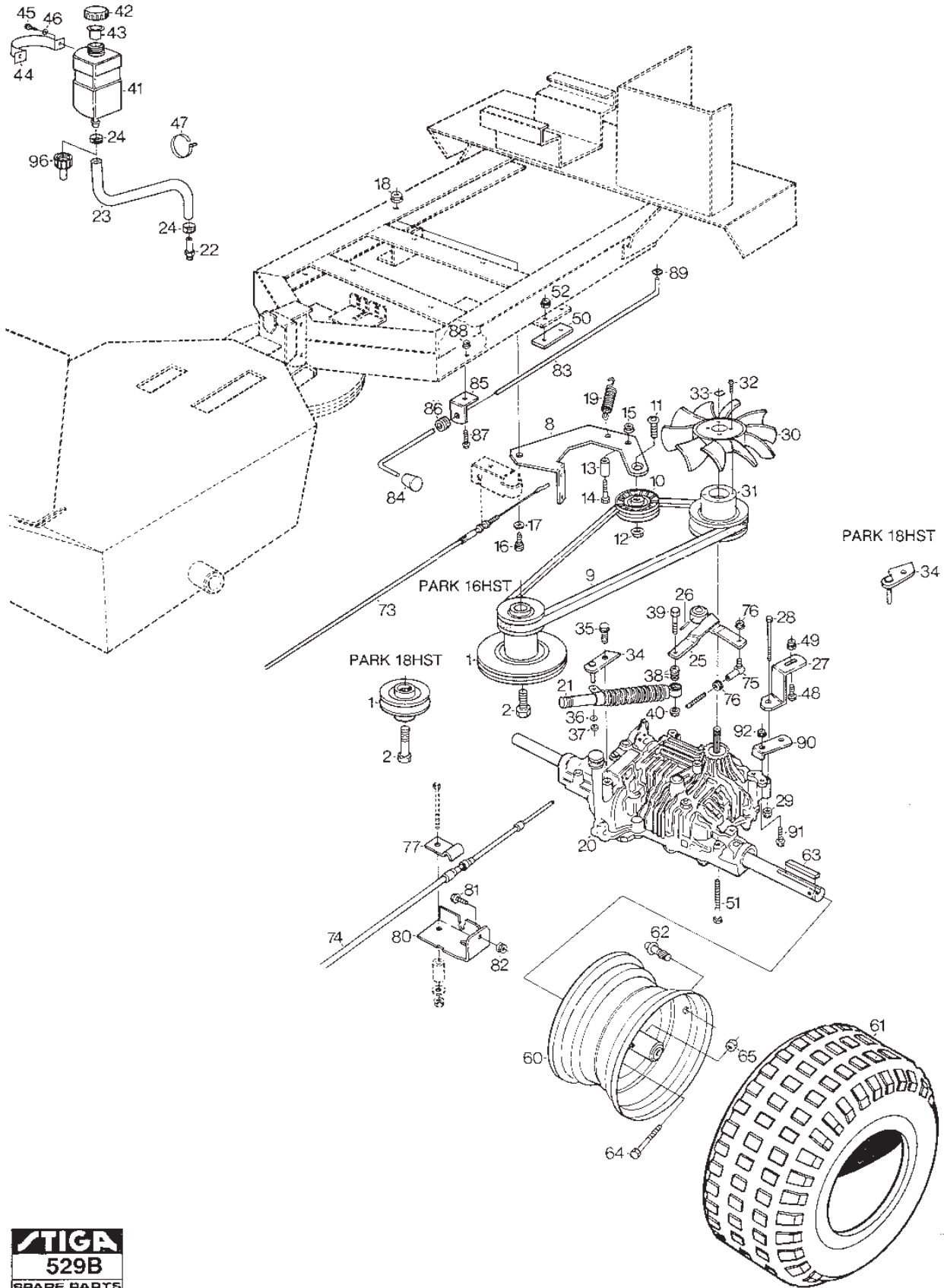
Utgåva Issue 41 - 2014		Power Take-Off			
Pos. Fig.	Antal Quantity	Art nr Part No	Benämning	Description	Anmärkning Notes
1	2	9739-0831-22	Mutter	Nut	
2	1	1134-3638-01	Magnetkoppling	Electric Pto-Clutch	
3	1	1134-3712-01	Stödstag	Support Stay	
4	2	9959-0820-16	Skruv	Screw	
5	2	9739-0831-22	Mutter	Nut	
8	1	1134-2871-03	Relä	Relay	
9	1	9997-0520-16	Skruv	Screw	
10	1	9739-0531-22	Mutter	Nut	
16	1	1134-2857-01	Brytare	Switch	
17	1	1134-2902-02	Symbol Platta (Grön *)	Symbol Plate-Pto	
25	1	1134-1565-01	Distans	Spacer	
27	1	1134-3658-01	Spännarm	Tensioning Arm	
28	1	9997-1040-12	Skruv	Screw	
30	1	1134-3663-01	Remskiva	Tension Wheel	
31	1	9739-1031-22	Mutter	Nut	
34	1	9997-0850-16	Skruv	Screw	
35	1	9699-0056-02	Bricka	Washer	
36	2	1134-0052-00	Distans	Spacer	
37	1	1134-1769-02	Remskiva	Belt Pulley	
38	2	9651-0040-04	Spårring Sgh 40	Circlip	
40	1	1134-0051-09	Distans	Spacer	
41	2	9549-0019-00	Kullager	Ball Bearing	
42	1	1134-0057-00	Centrumaxel	Centre Shaft	
43	1	9699-0109-02	Bricka	Washer	
44	1	1134-0222-00	Bricka	Washer	
45	1	9959-1025-16	Skruv	Screw	
46	1	1134-1730-01	Spännhjulsarm	Tensioning Wheel Arm	
47	2	1134-1888-01	Distans	Spacer	
48	1	1134-1770-01	Spännhjul Kpl	Tension Roller	
52	1	1134-1893-01	Fjäder	Spring	
53	2	9699-0062-02	Bricka	Washer	
54	1	9997-0865-12	Skruv	Screw	
55	1	1134-1322-01	Fjäder	Tensioning Wheel Spring	
56	1	9987-5357-12	Skruv	Screw	
57	1	1134-9047-01	Kilrem	V-Belt	=9585-0088-00
91	1	9739-1031-22	Mutter	Nut	
92	1	1134-0041-03	Bussning	Bushing	
93	1	9997-1070-12	Skruv	Screw	



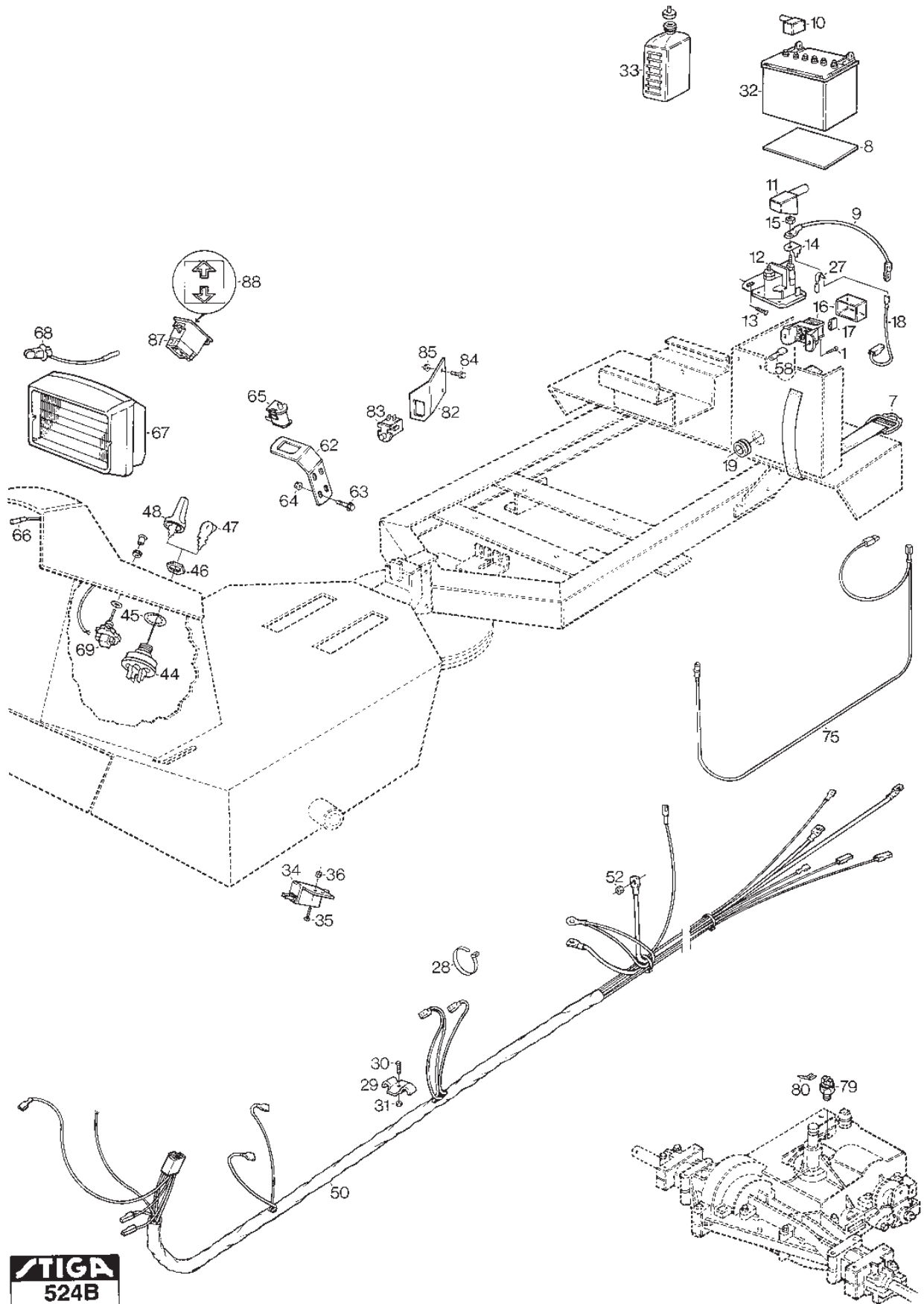
Utgåva Issue 41 - 2014		Drivpedal Farthållare		Drivpedal Farthållare	
Pos. Fig.	Antal Quantity	Art nr Part No	Benämning	Description	Anmärkning Notes
1	1	1134-2754-01	Halkskydd	Slip Protection	-960415
2	1	1134-3706-01	Pedal	Pedal	960416-
2	1	1134-2739-01	Pedal	Pedal	-960415
3	1	1134-2849-01	Slang	Rubber Hose (30 Mm)	960416-
3	1	1134-2849-02	Slang	Rubber Hose (30 Mm)	-960415
4	2	1134-2780-01	Lager	Bearing	
5	2	1134-2700-01	Fäste	Bracket	
6	2	9959-0820-16	Skruv	Screw	
7	7	9739-0831-22	Mutter	Nut	
8	1	1134-3704-01	Konsol 5-01 24	1134-3997-01+1134-4010-01	960416-
8	1	1134-2703-01	Arm Kpl.	Arm	-960415
9	2	9997-0520-16	Skruv	Screw	960416-
10	2	9739-0531-22	Mutter	Nut	960416-
12	1	1134-2766-02	Fartreglagewire	Speed Control Wire	
14	2	9595-0235-00	Spännstift	Pin	-960415
17	1	1134-3584-01	Wire	Wire	
19	1	1131-1506-00	Fjäder	Spring	
23	1	1134-3450-01	Bromspedal (vä sida)	Brake pedal (L. H.)	
24	1	1134-9024-01	Lager (4 St)	Bearing	
25	1	1134-0269-00	Pedalgummi	Pedal Rubber	
35	1	1134-0266-00	Fästbygel	Attaching Clamp	
37	3	9997-0520-16	Skruv	Screw	
50	2	9959-0816-16	Skruv	Screw	
52	1	9570-0001-00	Vinkellänk As8 Din 71802M5	Elbow Link	
81	1	9997-0870-16	Skruv	Screw	
103	1	9959-0816-16	Skruv	Screw	
108	5	9739-0531-22	Mutter	Nut	
113	1	1134-0267-00	Underläggsbleck	Clamp Plate	
117	1	1134-2859-01	Magnet	Magneto	
118	1	1134-2858-01	Fjäder	Spring	
119	1	1134-2862-01	Arm Kpl.	Lever	
121	1	1134-2866-02	Plåt	Plate	
122	1	1134-2857-01	Brytare	Switch	
123	1	1134-3640-01	Kabelhärva	Harness	
124	1	1134-2871-01	Relä Relä	Relay	
125	1	1134-2902-01	Symbolplatta (Grön)	Symbol Plate-Cruise Contr	



Utgåva Issue 41 - 2014		Transmission		Transmission	
Pos. Fig.	Antal Quantity	Art nr Part No	Benämning	Description	Anmärkning Notes
1	1	1134-3664-01	Remskiva	Engine Pulley	
2	1	9987-5357-12	Skruv	Screw	57 mm
8	1	1134-3583-01	Spännarm	Tension Arm	
9	1	1134-9037-01	Kilrem	V-Belt	=9585-0084-00
10	1	1134-3459-01	Spännrulle	Tension Roller	
11	1	9924-1035-16	Skruv	Screw	
12	1	9799-1031-02	Mutter	Nut	
13	1	1134-3381-01	Distans	Spacer	
14	1	9997-0630-12	Skruv	Screw	
15	1	9739-0631-22	Mutter Strålkastare	Nut Working lamp	
16	1	1134-0240-00	Skruv	Screw	
17	1	9665-0002-00	Bricka	Washer	
18	1	9739-0831-22	Mutter	Nut	
19	1	1134-3379-01	Fjäder	Spring	
20	1	1134-3365-01	Hydrostat Trans (K61)	Transaxle	Kanzaki K61E
21	1	1139-1001-01	Dämpare	Shock Absorber	
22	1	1134-3389-01	Slangnippel	Hose nipple	
23	1	1134-2779-02	Slang	Tube	
24	2	1134-3499-02	Slangklämma	Hose Clamp	
25	1	1134-3386-01	Ställarm Kpl.	Lever	
26	1	9595-0258-00	Spännstift	Locating Pin	
27	1	1134-3388-01	Svärd	Bar	
28	1	9997-0855-12	Skruv	Screw	
29	1	9747-0831-02	Mutter Låsmutter	Nut	
30	1	1134-3552-01	Fläkt	Fan	
31	1	1134-3451-01	Remskiva	Belt Pulley	
32	4	9959-0612-16	Skruv	Screw	
33	1	9650-0015-04	Låsring	CLock ring	
34	1	1134-3662-01	Hållare Kpl	Retainer	
35	1	9959-0616-16	Skruv	Screw	
36	1	9699-0028-02	Bricka	Washer	
37	1	9675-0012-02	Starlock	Locking washer	
38	3	9699-0028-02	Bricka	Washer	
39	1	9997-0835-12	Skruv	Screw	
40	1	9739-0831-22	Mutter	Nut	
41	1	1134-2765-02	Oljetank	Oil Tank	
42	1	1134-2777-02	Tanklock	Filler Cap	
43	1	1134-3734-01	Plugg (Service)	Vent Plug	
44	1	1134-2778-01	Fästband5-01	Band	
45	1	9842-0001-16			
46	1	9699-0002-02			
47	1	9579-0003-00	Kablage Bunband Buntband	Cable harness Cable Cable Holder	
48	1	9959-0820-16	Skruv	Screw	
49	1	9747-0831-02	Mutter Låsmutter	Nut	
50	2	1134-3376-01	Distansplåt	Spacer Plate	
51	4	9997-0870-16	Skruv	Screw	
52	4	9747-0831-02	Mutter Låsmutter	Nut	
60	2	1134-3393-01	Fälg	Rim	



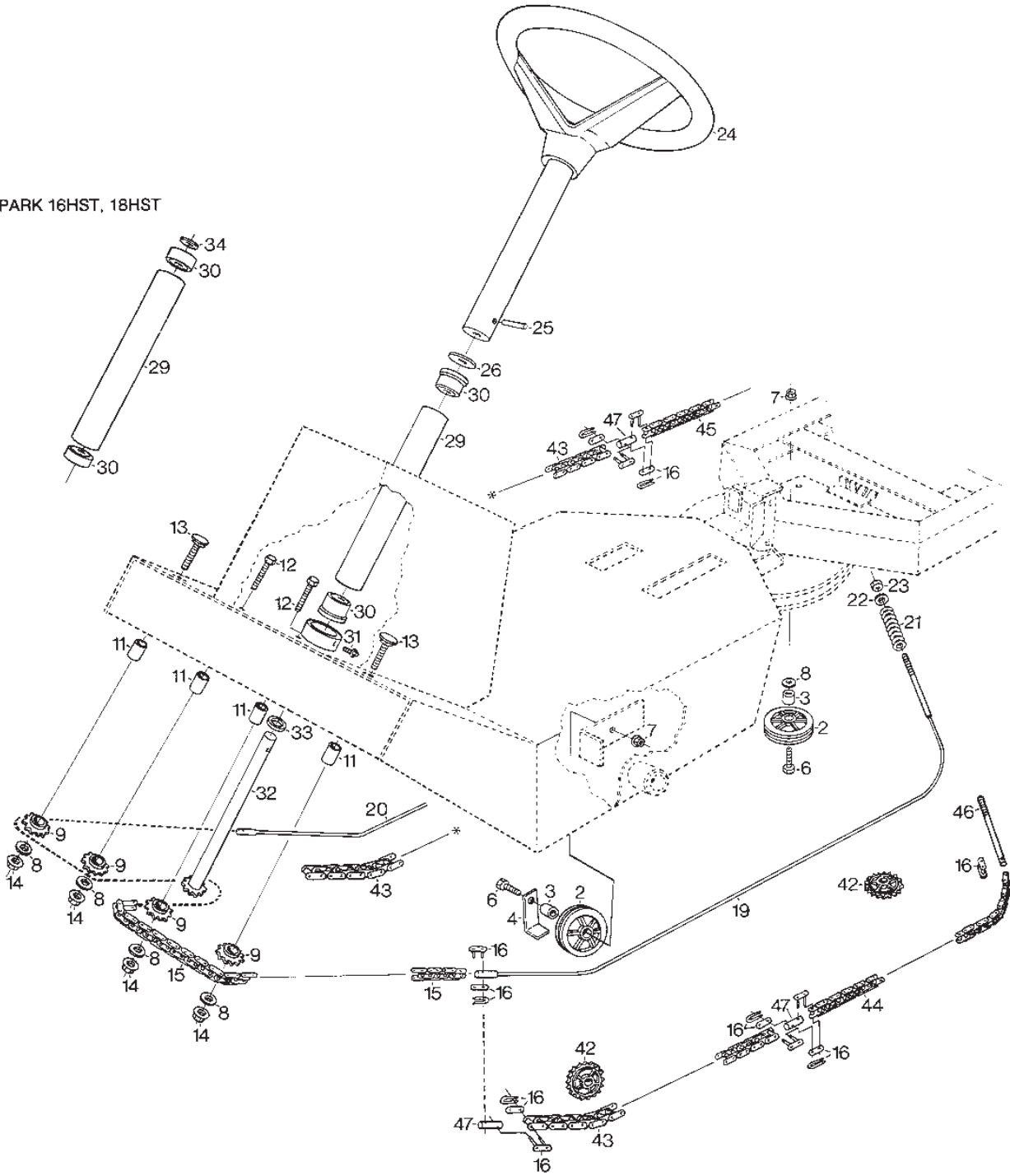
Utgåva Issue 41 - 2014		Transmission		Transmission	
Pos. Fig.	Antal Quantity	Art nr Part No	Benämning	Description	Anmärkning Notes
61	2	9545-0116-00	Däck	Tyre	16 X 7.50-8
62	2	9545-0500-00	Ventil	Valve Assy.	
63	2	1134-3383-01	Kil	Key	
64	2	9997-0845-12	Skruv	Screw	
65	2	9747-0831-02	Mutter Låsmutter	Nut	
73	1	1134-3584-01	Wire	Wire	
74	1	1134-2766-02	Fartreglagewire	Speed Control Wire	
75	1	9570-0001-00	Vinkellänk As8 Din 71802M5	Elbow Link	
76	2	9739-0531-22	Mutter	Nut	
77	1	1134-2021-01	Växelwirefäste	Clamp	
80	1	1134-3395-01	Fäste 24 (5-01)	Attachment	
81	2	9959-0816-16	Skruv	Screw	
82	2	9739-0831-22	Mutter	Nut	
83	1	1134-3378-01	Reglagestång	Control Rod	
84	1	1134-2786-01	Knopp	Knob	
85	1	1134-2789-01	Fäste	Bracket	
86	1	1134-2790-01	Kabelgenomföring	Cable Protection	
87	1	9959-0816-16	Skruv	Screw	
88	1	9739-0831-22	Mutter	Nut	
89	1	9675-0012-02	Starlock	Locking washer	
90	1	1134-3375-01	Fäste	Attachment	
91	1	9997-0616-16	Skruv	Screw	
92	1	9739-0631-22	Mutter Strålkastare	Nut Working lamp	
96	1	9404-0500-00	Påfyllnadspip	Oil Fill Nipple	



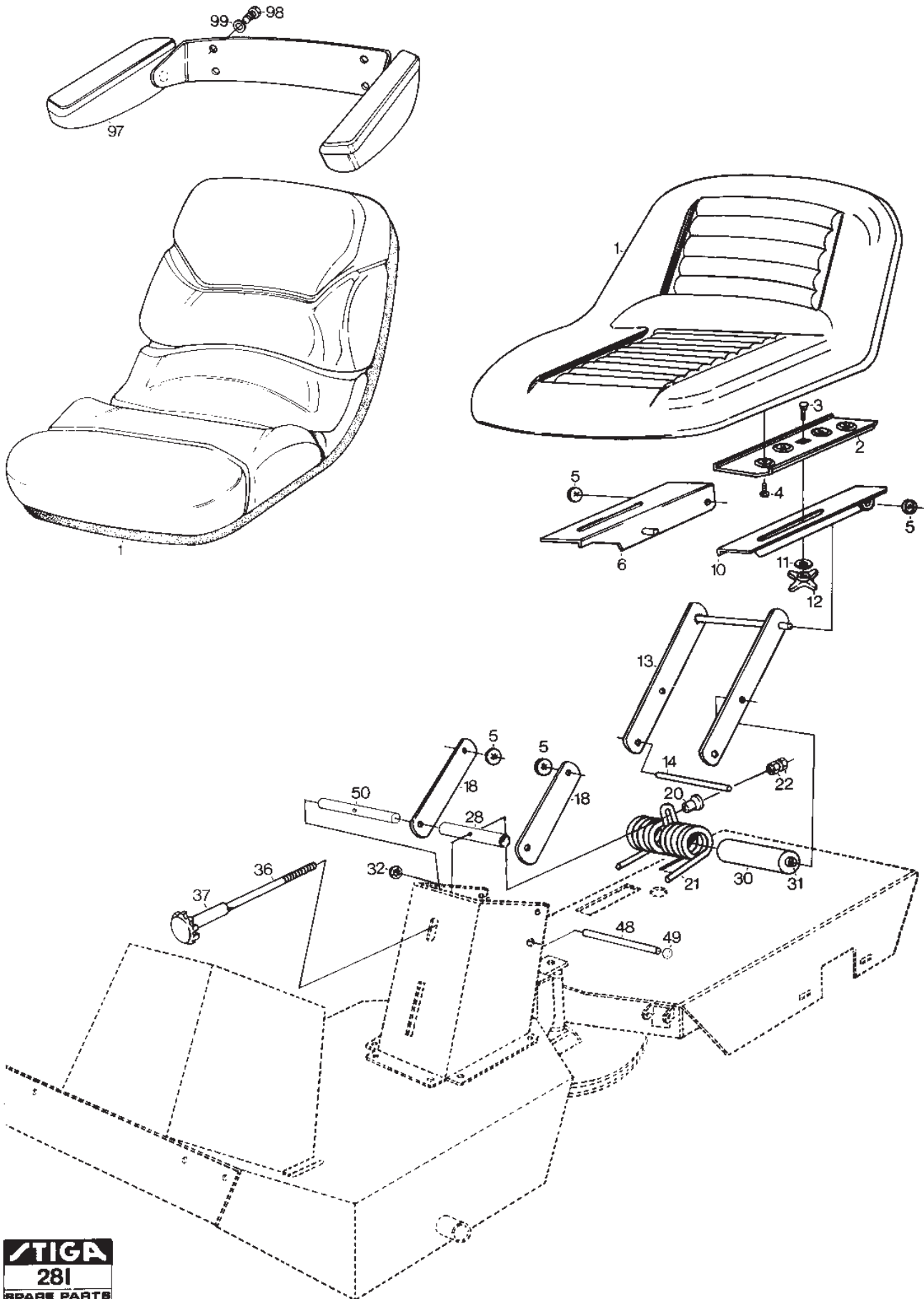
STIGA
524B
SPARE PARTS

Utgåva Issue 41 - 2014		Esystem	Electrical System		
Pos. Fig.	Antal Quantity	Art nr Part No	Benämning	Description	Anmärkning Notes
1	2	9849-8009-16	Skruv	Screw	
7	1	9400-0064-02	Batterihållare	Battery Holder	
8	1	1134-2333-02	Batteriunderlägg	Battery Pad	
9	1	1134-0234-01	Batterikabel (+)	Battery Cable (+)	
10	1	1134-2310-01	Batteriskydd	Guard Cap (+)	
11	1	1134-2948-01	Skyddshätta	Guard Cap	
12	1	1134-2962-01	Solenoid Kpl Service	Solenoid	Inkl. pos 14-15
13	2	9849-8009-16	Skruv	Screw	
14	1	1134-2947-01	Stift	Cable Connection	
15	2	9794-5131-02	Mutter	Nut	
16	1	1134-3491-01	Säkringshållare	Fuse Holder	
16	1	1134-3631-01	Lock (5-01)	Cover-Fuse Holder	
17	1	1134-3496-02	Säkring 25A Transp.	Fuse (25A)	25A
19	1	1134-3203-05	Kabelgenomföring	Grommet	
28	10	9579-0003-00	Kablage Bunband Buntband	Cable harness Cable Cable Holder	
29	1	1134-2782-01	Låsbleck	Clamp	
30	1	9997-0520-16	Skruv	Screw	
31	1	9739-0531-22	Mutter	Nut	
32	1	1134-2892-01	Batteri	Battery	
33	1	1134-3300-01	Batterisyra	Battery Acid	2 x 0.85 liter
34	1	1134-3399-01	Brytare	Switch	
35	2	9997-0520-16	Skruv	Screw	
36	2	9747-0531-02	Mutter	Nut	
44	1	1134-1814-01	Tändningslås Kpl Service	Starter Switch Assy.	
45	1	1134-2853-01	Bricka	Washer	
46	1	1134-2852-01	Mutter	Nut	
47	1	1134-2848-01	Tändningsnyckel	Ignition Key	
48	1	1134-3368-01	Tändningsnyckel	Ignition Key	
50	1	1134-3689-01	Kabelhärva	Harness	1818
50	1	1134-3637-01	Kabelhärva	Harness	1448
52	1	9795-3531-02	Mutter	Nut	
62	1	1134-3251-02	Fäste	Bracket	
63	2	9959-0612-16	Skruv	Screw	
64	2	9739-0631-22	Mutter Strålkastare	Nut Working lamp	
65	1	1134-3156-02	Brytare (grå)	Switch	
66	1	1134-3082-01	Elkabel	Cable	
67	1	1134-1466-01	Strålkastare Kpl	Headlamp Assy.	
68	1	9400-0075-00	Glödlampa 12336H3 12	Glow Lamp	
69	1	9400-0063-00	Brytare	Switch	
75	1	1134-3674-01	Kablage	Wire	
87	1	1134-2857-01	Brytare	Switch	1818
88	1	1134-3329-03	Symbolplatta (Blå)	Symbol Plate (Blue)	1818

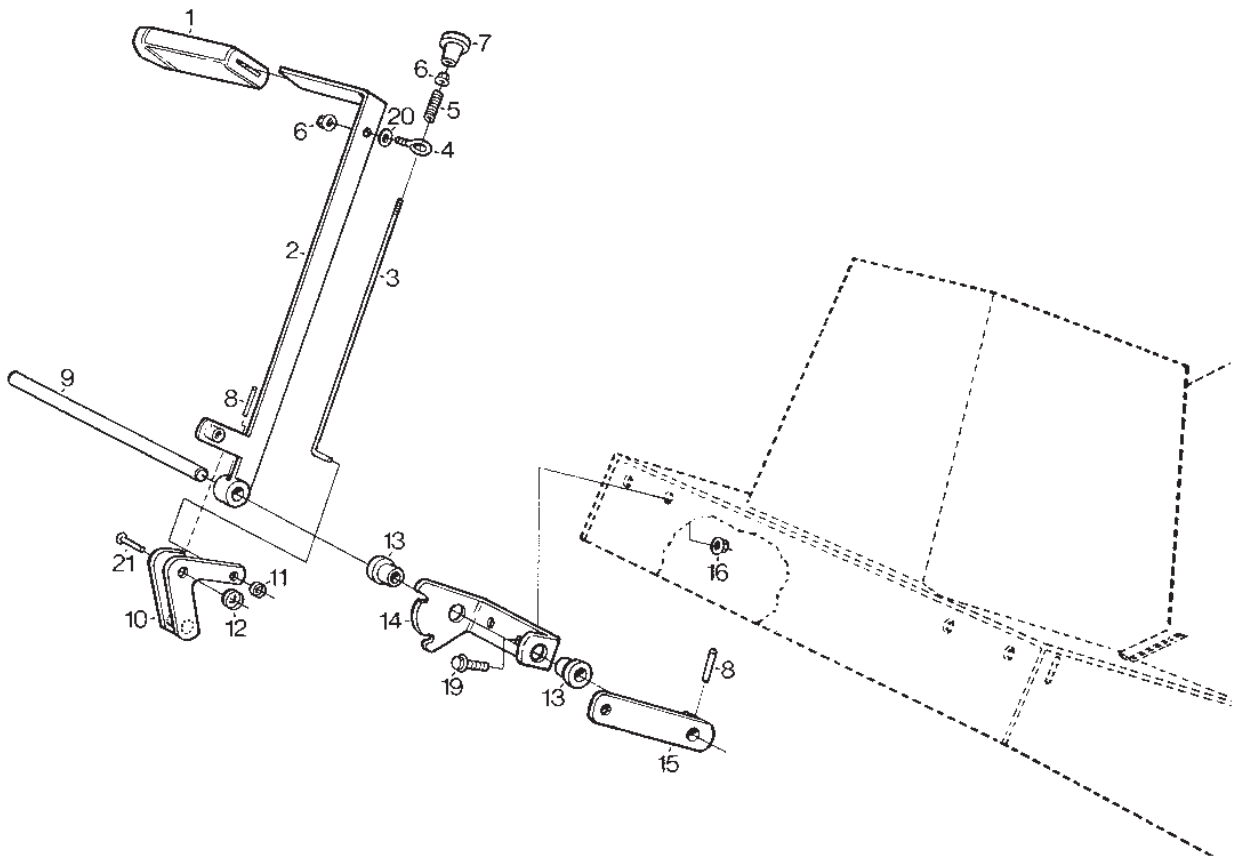
PARK 16HST, 18HST



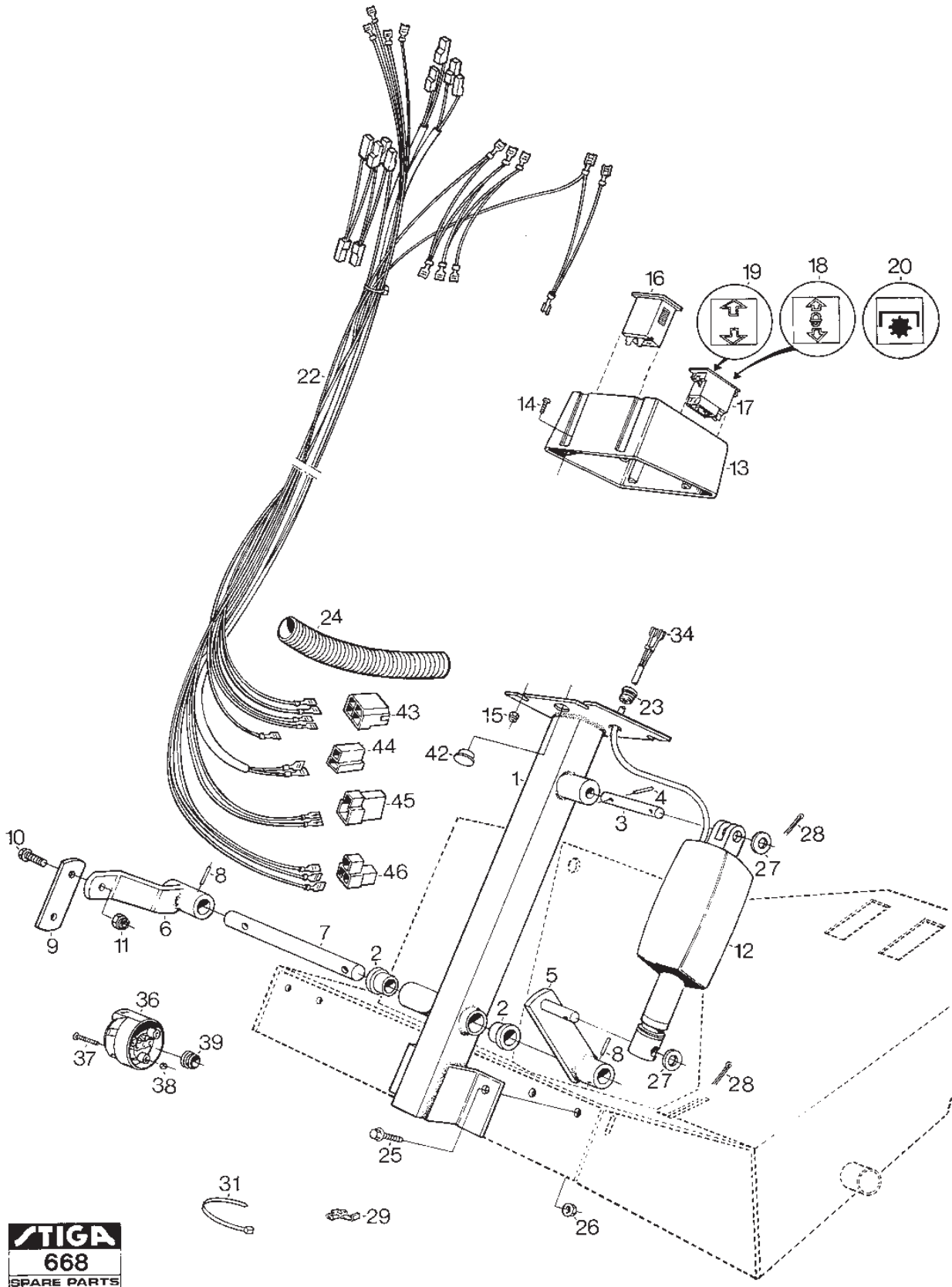
Utgåva Issue 41 - 2014		Styrning Steering			
Pos. Fig.	Antal Quantity	Art nr Part No	Benämning	Description	Anmärkning Notes
3	3	1134-0041-01	Bussning	Bushing	
4	2	1134-3022-01	Fäste	Bracket	
6	3	9997-1030-16	Skruv	Screw	
7	3	9739-1031-22	Mutter	Nut	
8	5	9699-0035-02	Bricka	Washer	
9	4	1134-2816-01	Kedjehjul	Sprocket	
11	4	1134-0041-02	Bussning	Bushing	
12	2	9997-1040-12	Skruv	Screw	
13	2	9897-1040-12	Skruv	Screw	
14	4	9739-1031-22	Mutter	Nut	
15	1	1134-2820-01	Kedja79 Länkar	Chain W/O Lock	79 länk/links
16	10	1134-2824-01	Kedjelås	Chain Lock	
21	2	1134-2818-01	Fjäder	Spring	
21	2	1134-3817-01	Fjäder	Spring	
22	2	9699-0090-02	Bricka	Washer	
23	2	9747-0831-02	Mutter Låsmutter	Nut	
24	1	1134-1966-03	Ratt	Steering Wheel	
25	1	9595-0262-00	Spännstift	Locating Pin	
26	1	9699-0114-02	Bricka	Washer	1.0 mm
26	1	9699-0103-02	Bricka	Washer	0.5 mm
29	1	1134-3085-01	Rattrör Nedre	Steering Column,Lower	
30	2	9549-0017-00	Kullager	Ball Bearing	
31	2	9942-0612-16	Skruv	Screw	
32	1	1134-3084-01	Rattstång	Steering Rod	
33	1	1134-2837-02	Distans	Spacer	
34	1	9695-0011-00	Bricka	Washer	
42	3	1134-3547-01	Kedjehjul	Sprocket	
43	2	1134-2820-02	Kedja	Chain	41 länk/link
44	1	1134-2820-02	Kedja	Chain	41 länk/link
45	1	1134-2820-04	Kedja	Chain	45 länk/link
46	2	1134-3550-01	Ändnippel (L110)	End Nipple	
47	4	1134-3565-01	Skarvnippel	Connection Nipple	



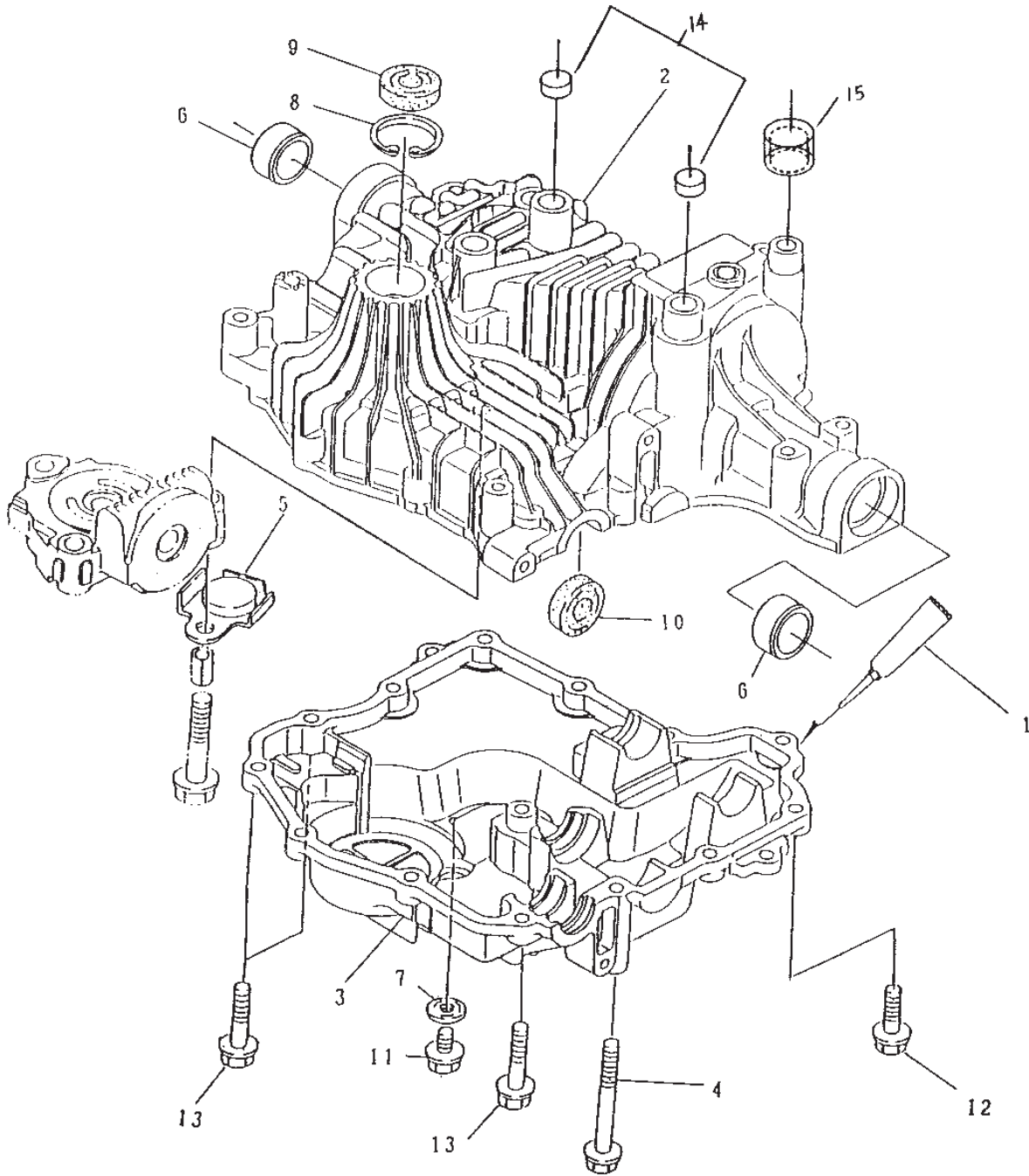
Utgåva Issue 41 - 2014		Sits	Seat		
Pos. Fig.	Antal Quantity	Art nr Part No	Benämning	Description	Anmärkning Notes
1	1	1134-3286-01	Sits (Super Suburb.Sa 6995)	Seat	1458,1818
1	1	1134-3286-01	Sits (Super Suburb.Sa 6995)	Seat	1458
1	1	1134-2541-01	Sits Suburban Sa 10314	Seat	
2	2	1134-2961-01	Sitsadapter 5-01 24	Seat Adapter	
3	2	9898-0820-16	Skruv	Screw	
4	4	9988-3616-16	Skruv	Screw	
5	4	9675-0017-02	Låsbricka	Starlock	
6	1	1134-3618-01	Sitsfäste Kpl. 5-01 14	Seat Attachment-R.H.	
10	1	1134-3618-02	Sitsfäste Kpl. 5-01 14	Seat Attachment-L.H.	
11	2	9699-0062-02	Bricka	Washer	
12	2	1134-1711-01	Knopp	Knob	
13	1	1134-1652-01	Fjäder	Spring	
14	1	1134-0050-00	Sitsstång	Seat Rod	
18	2	1134-1650-01	Parallellstag5-01 F24	Tie Bar	
20	1	1134-0493-00	Mutter	Nut	
22	2	9799-0831-02	Mutter	Nut	
28	1	1134-2846-01	Rör	Tube	
30	1	1134-1883-01	Axel	Axle	
31	1	1134-0022-00	Reglagestång	Control Rod	
32	2	9672-0004-02			
36	1	1134-2163-01	Spännstång Kpl.	Rod	
37	1	1134-2166-01	Distans	Spacer	
48	1	1134-2454-01	Axel	Shaft	
49	2	9672-0006-02	Starlock	Lock washer	
50	1	1134-2847-01	Mellanstag	Shaft	
98	2	9988-3619-16	Skruv	Screw	5/16"
98	2	9988-3716-16	Skruv	Screw	3/8"
98	2	9988-3719-16	Skruv	Screw	3/8"
99	2	9699-0028-02	Bricka	Washer	



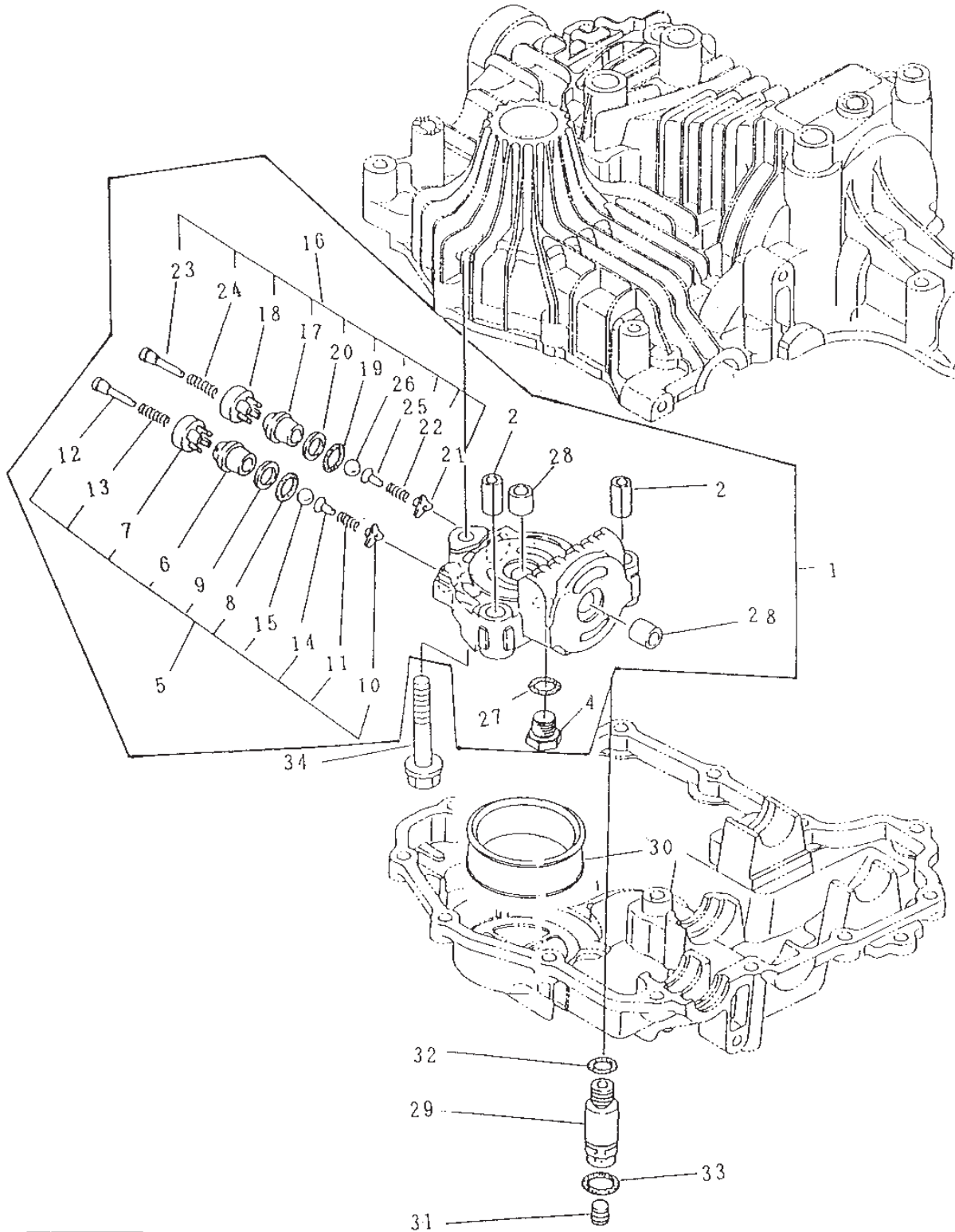
Utgåva Issue 41 - 2014		Redskapslyft Lifting Device			
Pos. Fig.	Antal Quantity	Art nr Part No	Benämning	Description	Anmärkning Notes
999	1	1134-0410-08	röds kapslyft Smstpark	Lifting Device Assy	



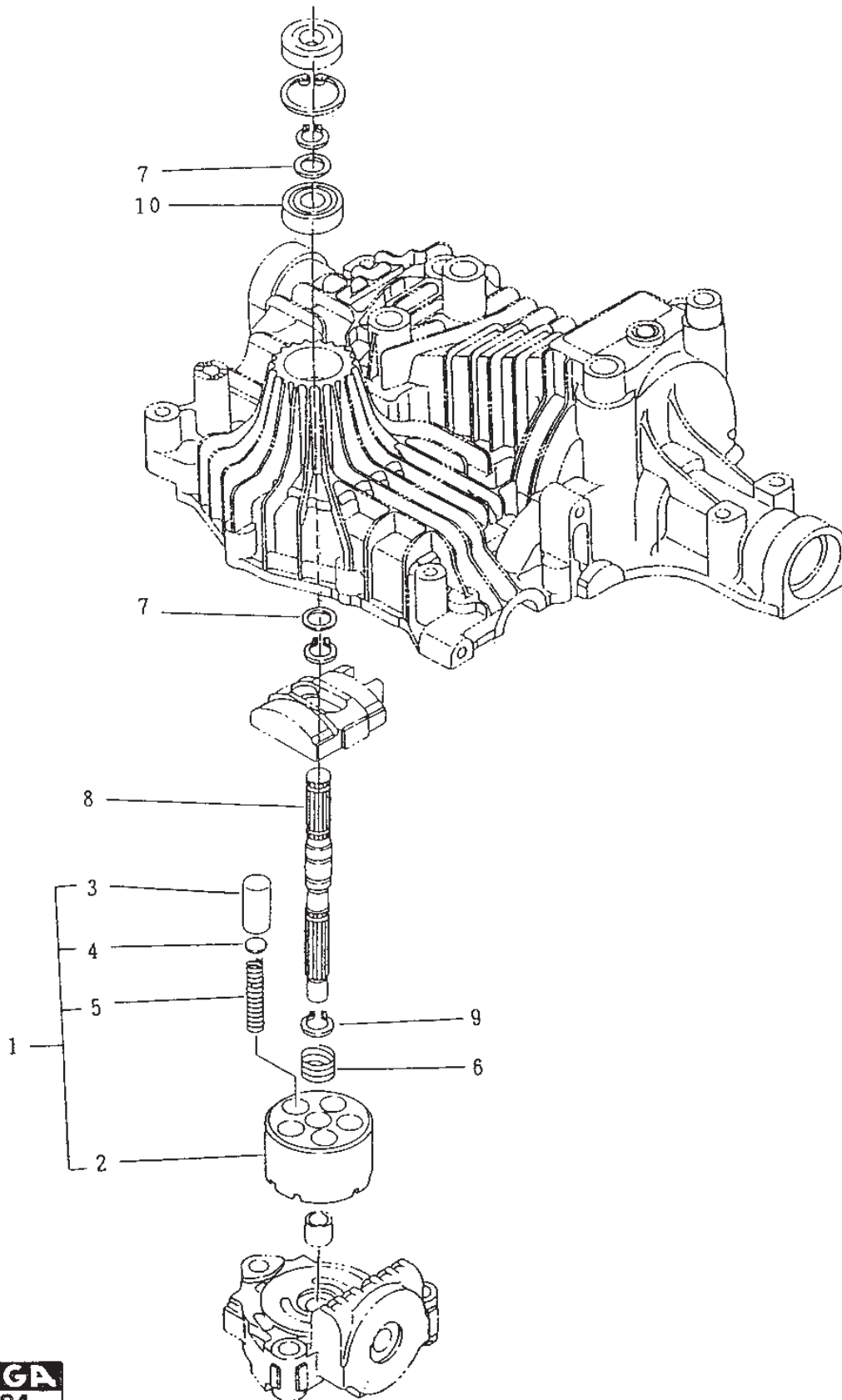
Utgåva Issue 41 - 2014		Elektr. Redskapslyft		El. Lifting Device	
Pos. Fig.	Antal Quantity	Art nr Part No	Benämning	Description	Anmärkning Notes
1	1	1134-3305-03	Stativ Kompl. 5-01 02	Stand	
2	1	1134-9024-01	Lager (4 St)	Bearing	Sats 4 st/kit of 4
2	1	1134-9024-01	Lager (4 St)	Bearing	Sats 4 st/kit of 4
2	1	1134-9026-01	Bussning	Bearing	Innehåller/contais 4
3	1	1134-3317-01	Axeltapp	Shaft	
4	1	9595-0210-00	Spiralspnst Prym N4X26	Locating Pin	
5	1	1134-3309-01	Cylinderarm Kpl.	Lever	
6	1	1134-3310-01	Lyftarm Kpl.	Lift Arm	
7	1	1134-3313-01	Axel	Shaft	
8	2	9595-0280-00	Spiralspnst Prym N8X32	Locating Pin	
9	1	1134-3320-01	Förlängningsjärn	Lift Lever	
10	1	9959-1025-16	Skruv	Screw	
11	1	9712-1031-02	Låsmutter	Nut	
11	1	9747-1031-02	Mutter Låsmutter	Nut	
11	1	9712-1031-02	Låsmutter	Nut	
11	1	9747-1031-02	Mutter Låsmutter	Nut	
12	1	1139-0004-01	Snäckdrev-Motor	Gear-Motor	Ej ill/not ill.
12	1	1134-3314-01	Lyftcylinder	Lift cylinder	
13	1	1134-3714-01	Manöverlåda 5-01	Switch Box	
14	4	9950-0510-16	Skruv	Screw	
15	4	9747-0531-02	Mutter	Nut	
16	1	1134-3331-01	Timräknare	Hour Meter	
17	4	1134-2857-01	Brytare	Switch	
18	1	1134-2902-01	Symbolplatta (Grön)	Symbol Plate-Cruise Contr	Farthåll/cruise contr
19	1	1134-3329-01	Symbolplatta (Röd)	Symbol Plate (Red)	
19	1	1134-3329-02	Symbolplatta (Orange)	Symbol Plate (Light Red)	
19	1	1134-3329-01	Symbolplatta (Röd)	Symbol Plate (Red)	
19	1	1134-3329-02	Symbolplatta (Orange)	Symbol Plate (Light Red)	
20	1	1134-2902-02	Symbol Platta (Grön *)	Symbol Plate-Pto	Kraftuttag/PTO
22	1	1134-3690-01	Kablage	Harness	
23	1	1134-3203-04	Kabelgenomföring	Grommet	
24	1	1134-3647-01	Slang	Tubing	
25	2	9959-1020-16	Skruv	Screw	
26	2	9739-1031-22	Mutter	Nut	
27	2	9699-0037-02	Bricka	Washer	
28	2	9599-0083-02	SaxSprint 4X25 Fz	Split Pin	
29	2	9400-0231-00	Kabelskarv	Splicer	
31	4	9579-0003-00	Kablage Bunband Buntband	Cable harness Cable Cable Holder	
34	2	9400-0238-00	Flatstiftshylsa A1507Fls	Cable Connection	
36	1	1134-3332-01	Kontakt, Hondel	Terminal	
37	3	9865-0530-16	Skruv	Screw	
38	3	9747-0531-02	Mutter	Nut	
39	1	1134-3203-02	Kabelgenomföring	Grommet	
42	1	1134-3652-01	Plugg	Plug	
43	1	1134-3646-01	Hylsblock	Connecting Plug	
44	1	1134-3691-01	Hylsblock (2 Pol)	Connecting Plug	
45	1	1134-3692-01	Stiftblock (2 Pol)	Terminal Plug	
46	1	1134-3693-01	Stiftblock (3 Pol)	Terminal Plug	



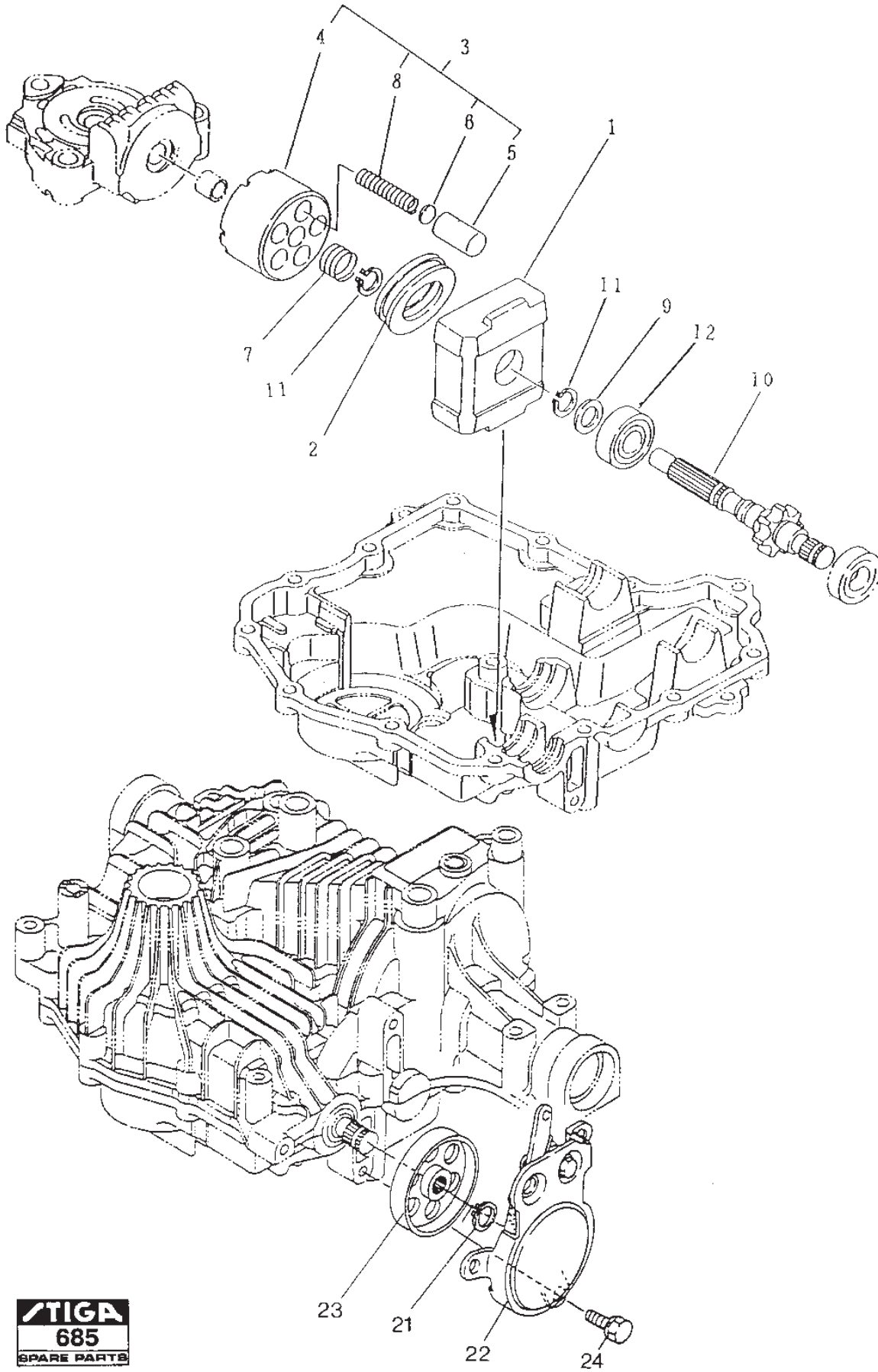
Utgåva Issue 41 - 2014		Kanzaki Transaxel K-61E Transmissionshus		Kanzaki Transaxle K-61E Transmission Case	
Pos. Fig.	Antal Quantity	Art nr Part No	Benämning	Description	Anmärkning Notes
1	1	1139-0223-01	Sealant	Sealant	
2	1	1139-1002-01	Övre Hus	Upper Case	
3	1	1139-1003-01	Nedre Hus	Lower Case	
4	1	1139-1006-01	Bult	Bolt	
5	1	1139-1007-01	Magnet	Magnet	
6	2	1139-1042-01	Bussning	Bushing	
7	1	1139-1103-01	Bricka	Washer	
8	1	1139-1104-01	Låsring	Snap Ring	
9	1	1139-1119-01	Tätning	Seal 15*35*7	
10	1	1139-1120-01	Tätning	Seal 17*35*7	
11	1	1139-1123-01	Bult	Bolt	
12	15	1139-0244-01	Skruv	Screw	
13	3	1139-1126-01	Skruv	Screw	
14	2	1139-1050-01	Plugg	Plug	
15	1	1139-1130-01	Hylsa	Collar (23X29X17)	Ej ill/not ill.
15	1	1139-1129-01	Slangklämma	Hose Clamp (28)	Ej ill/not ill.
15	1	1139-1131-01	Plugg	Plug (20)	15A-15B åtgår/needed



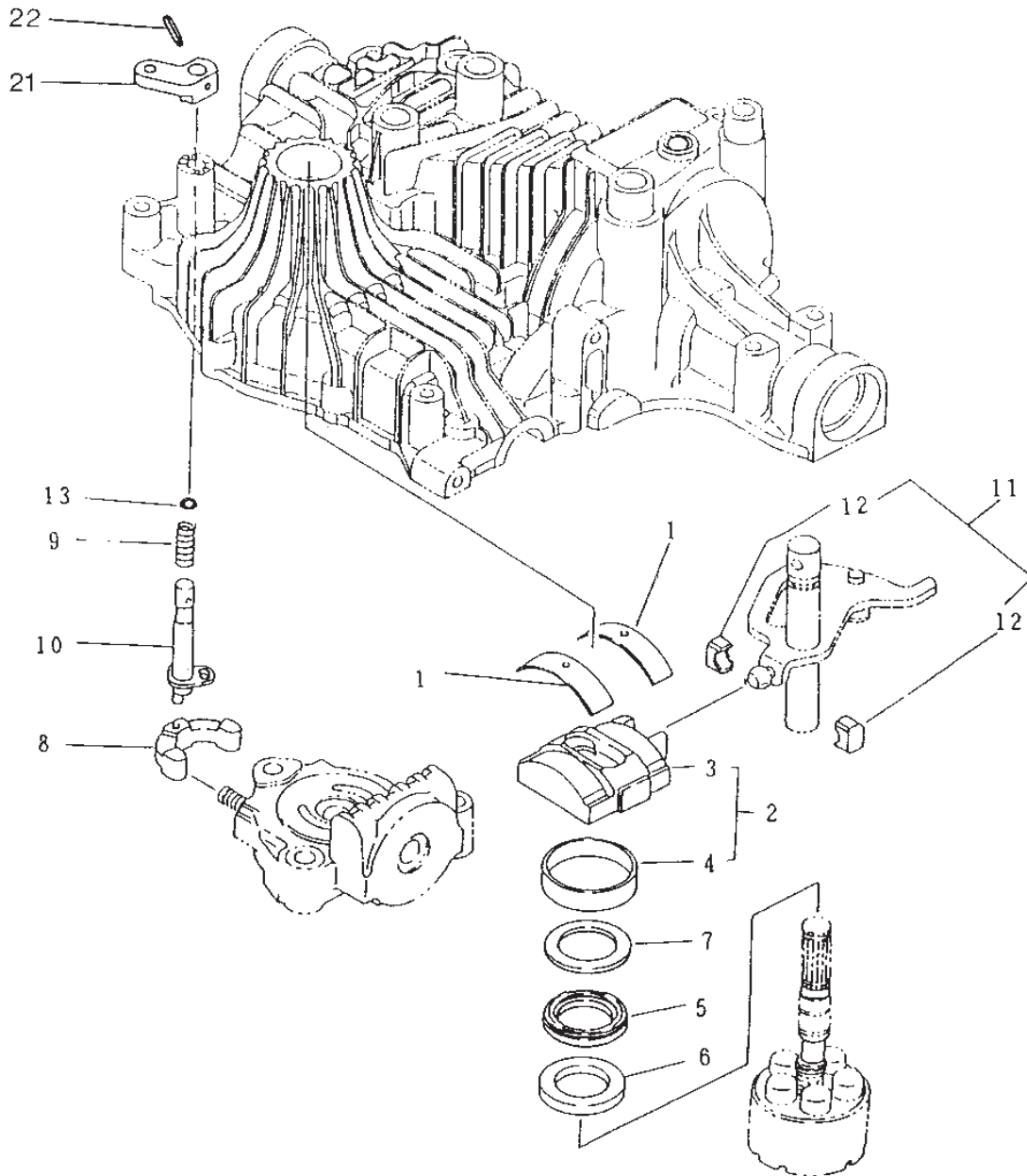
Utgåva Issue 41 - 2014		Kanzaki Transaxel K-61E Centrumhus		Kanzaki Transaxle K-61E Center Case	
Pos. Fig.	Antal Quantity	Art nr Part No	Benämning	Description	Anmärkning Notes
1	1	1139-1009-01	Center case assy	Center case assy	Inkl. pos 2-5, 16, 27
2	2	1139-1008-01	Stift	Knock Pin	
4	1	1139-1010-01	Plugg	Plug	
5	1	1139-1011-01	Valve set	Valve set	Inkl. pos 6-15
8	1	1139-1013-01	O-Ring	O-Ring	
9	1	1139-1014-01	Ring	Back-Up Ring	
16	1	1139-1012-01	Valve set	Valve set	Inkl. pos 17-26
19	1	1139-1013-01	O-Ring	O-Ring	
20	1	1139-1014-01	Ring	Back-Up Ring	
27	1	1139-1113-01	O-Ring	O-Ring	
28	2	1139-1121-01	Bussning	Bushing	
29	1	1139-1015-01	Anslutning	Connector	
30	1	1139-1016-01	Filter	Filter	
31	1	1139-1107-01	Plugg	Plug	
32	1	1139-1113-01	O-Ring	O-Ring	
33	1	1139-1115-01	O-Ring	O-Ring	
34	3	1139-1125-01	Bult	Bolt	



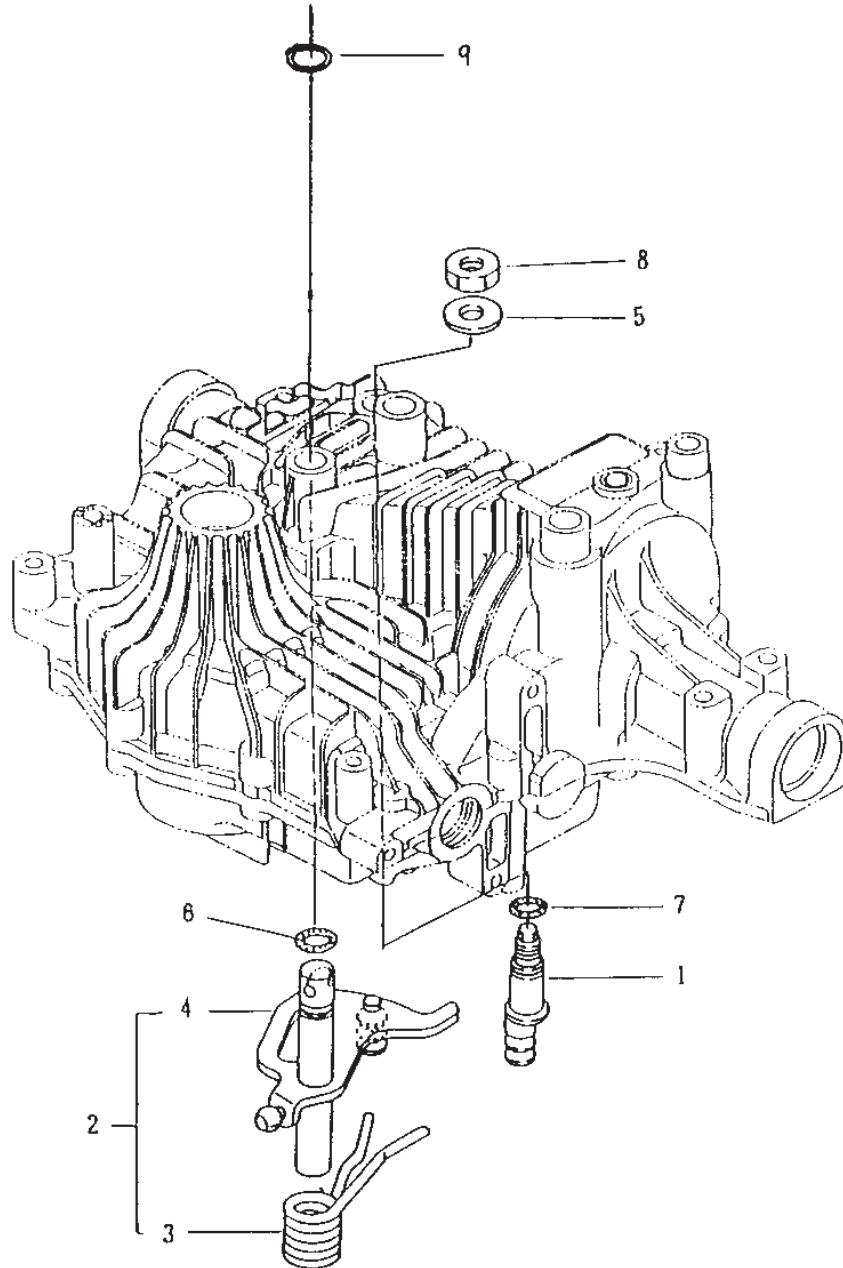
Utgåva Issue 41 - 2014		Kanzaki Transaxel K-61E Pumpaxel		Kanzaki Transaxle K-61E Pump Shaft	
Pos. Fig.	Antal Quantity	Art nr Part No	Benämning	Description	Anmärkning Notes
1	1	1139-1017-01	Cylinder Block Kpl	Cylinder Block Assy	Inkl. pos 2-5
6	1	1139-1018-01	Fjäder	Spring	
7	2	1139-1019-01	Bricka	Washer	
8	1	1139-1020-01	Pumpaxel	Pump shaft	
9	3	1139-1021-01	Låsring	Snap Ring	
10	1	1139-1110-01	Kullager	Ball Bearing	



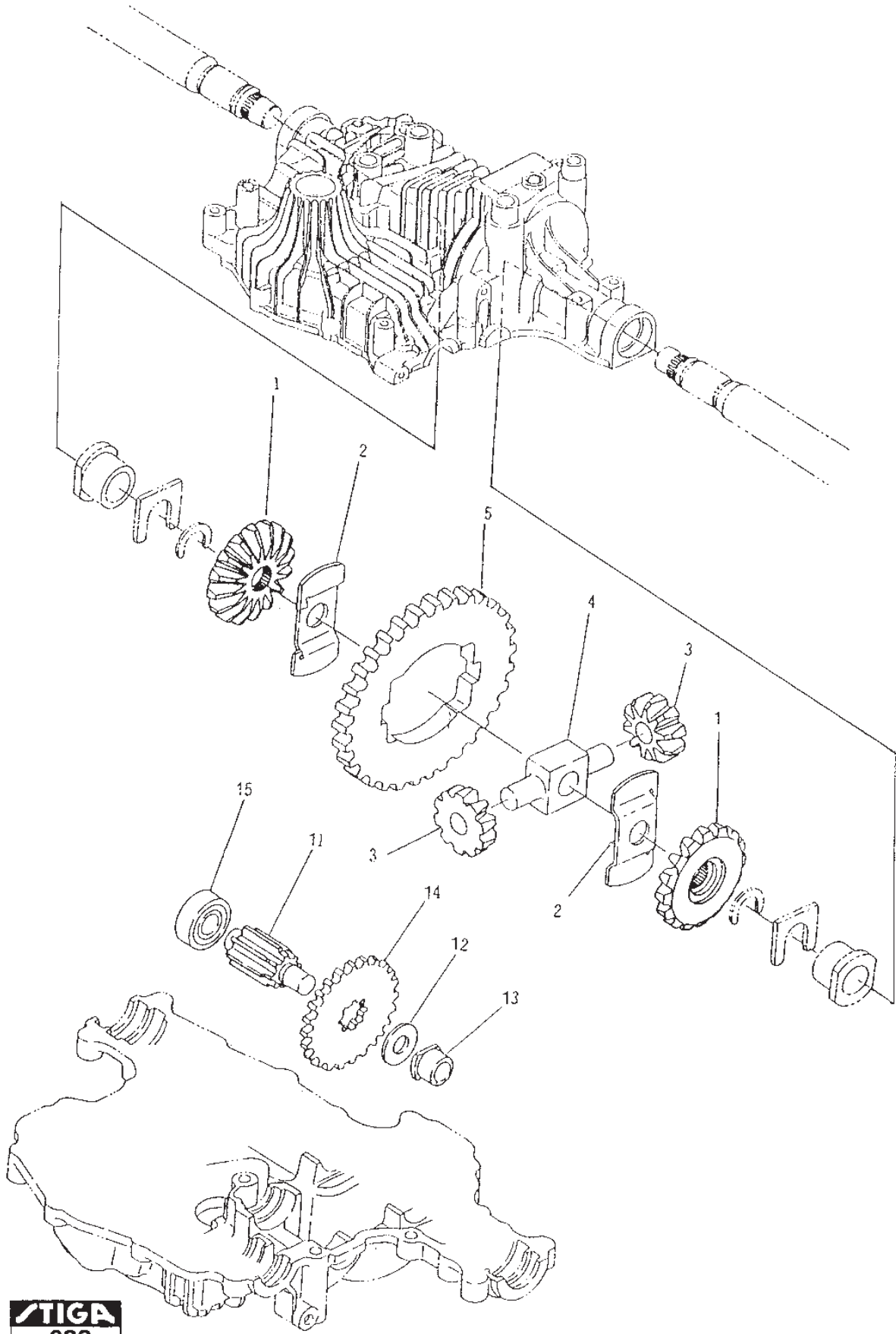
Utgåva Issue 41 - 2014		Kanzaki Transaxel K-61E Motoraxel-Broms		Kanzaki Transaxle K-61E Motor Shaft-Brake	
Pos. Fig.	Antal Quantity	Art nr Part No	Benämning	Description	Anmärkning Notes
1	1	1139-1004-01	Hus	Housing	
2	1	1139-1005-01	Axiallager	Thrust Bearing	
3	1	1139-1017-01	Cylinder Block Kpl	Cylinder Block Assy	Inkl. pos 4-7
8	1	1139-1018-01	Fjäder	Spring	
9	1	1139-1019-01	Bricka	Washer	
10	1	1139-1049-01	Shaft motor	Shaft motor	
11	2	1139-1021-01	Låsring	Snap Ring	
12	1	1139-1110-01	Kullager	Ball Bearing	
21	1	1139-1021-01	Låsring	Snap Ring	
22	1	1139-1033-01	Bromsband	Brake Band	
23	1	1139-1047-01	Bromstrumma	Brake Drum	
24	3	1139-1122-01	Bult	Bolt	



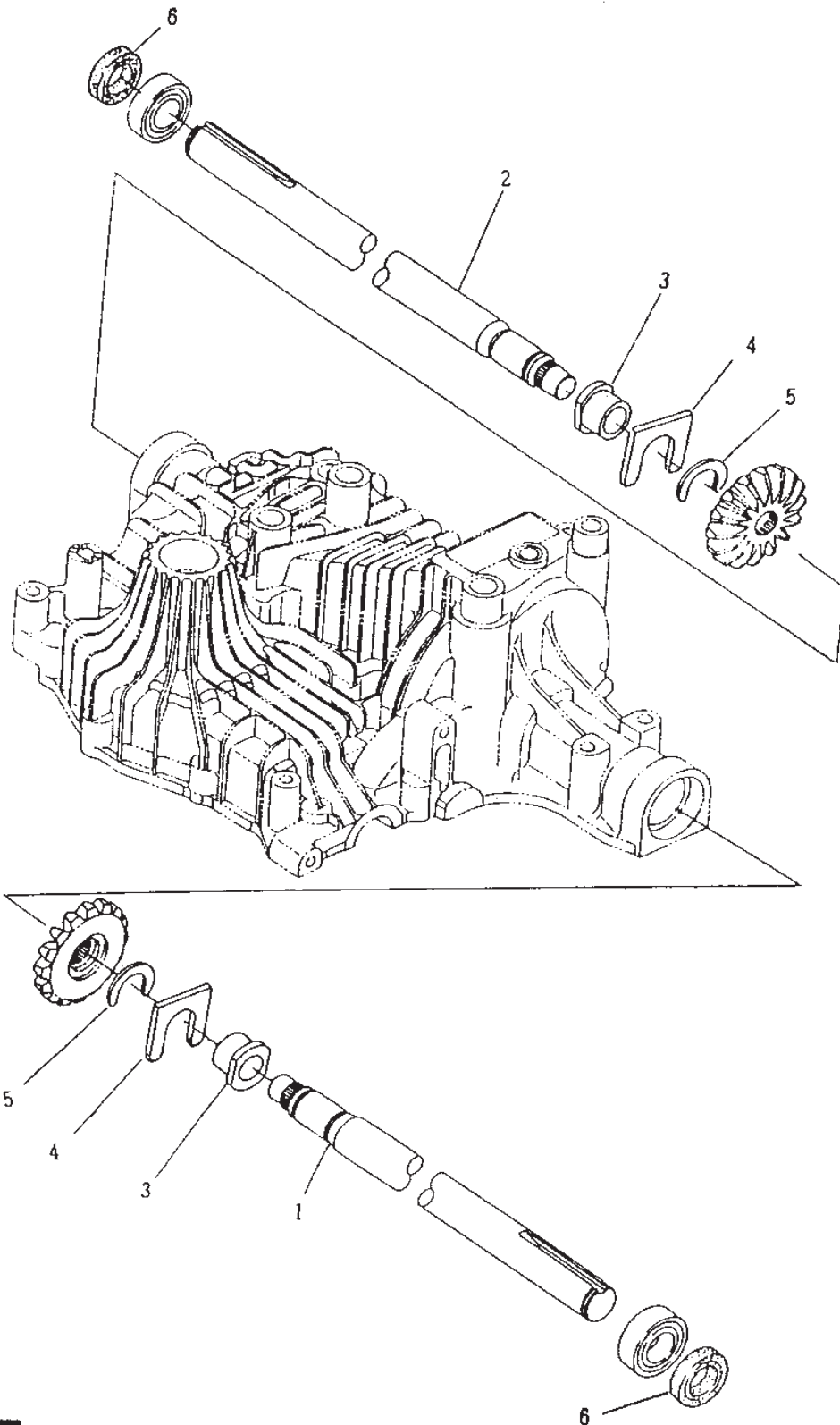
Utgåva Issue 41 - 2014		Kanzaki Transaxel K-61E Riktningväljare		Kanzaki Transaxle K-61E Range Shift	
Pos. Fig.	Antal Quantity	Art nr Part No	Benämning	Description	Anmärkning Notes
1	2	1139-1022-01	Tryckplatta	Metal Thrust	
2	1	1139-1023-01	Stänkplatta Kpl	Swash Plate Assy	Inkl. pos 3-4
5	1	1139-1024-01	Lager	Bearing	
6	1	1139-1025-01	Tryckplatta	Thrust Plate	
7	1	1139-1026-01	Tryckplatta	Thrust Plate	
8	1	1139-1027-01	Arm By-Pass	C-Arm By-Pass	
9	1	1139-1028-01	Fjäder	Spring	
10	1	1139-1029-01	Shaft by-pass	Shaft by-pass	
11	1	1139-1030-01	Block Sats	Block Set	Inkl. pos 12
13	1	1139-1112-01	O-Ring	O-Ring	
21	1	1139-1031-01	Arm valve release	Arm valve release	
22	1	1139-1106-01	Stift 4*25	Roll Pin	



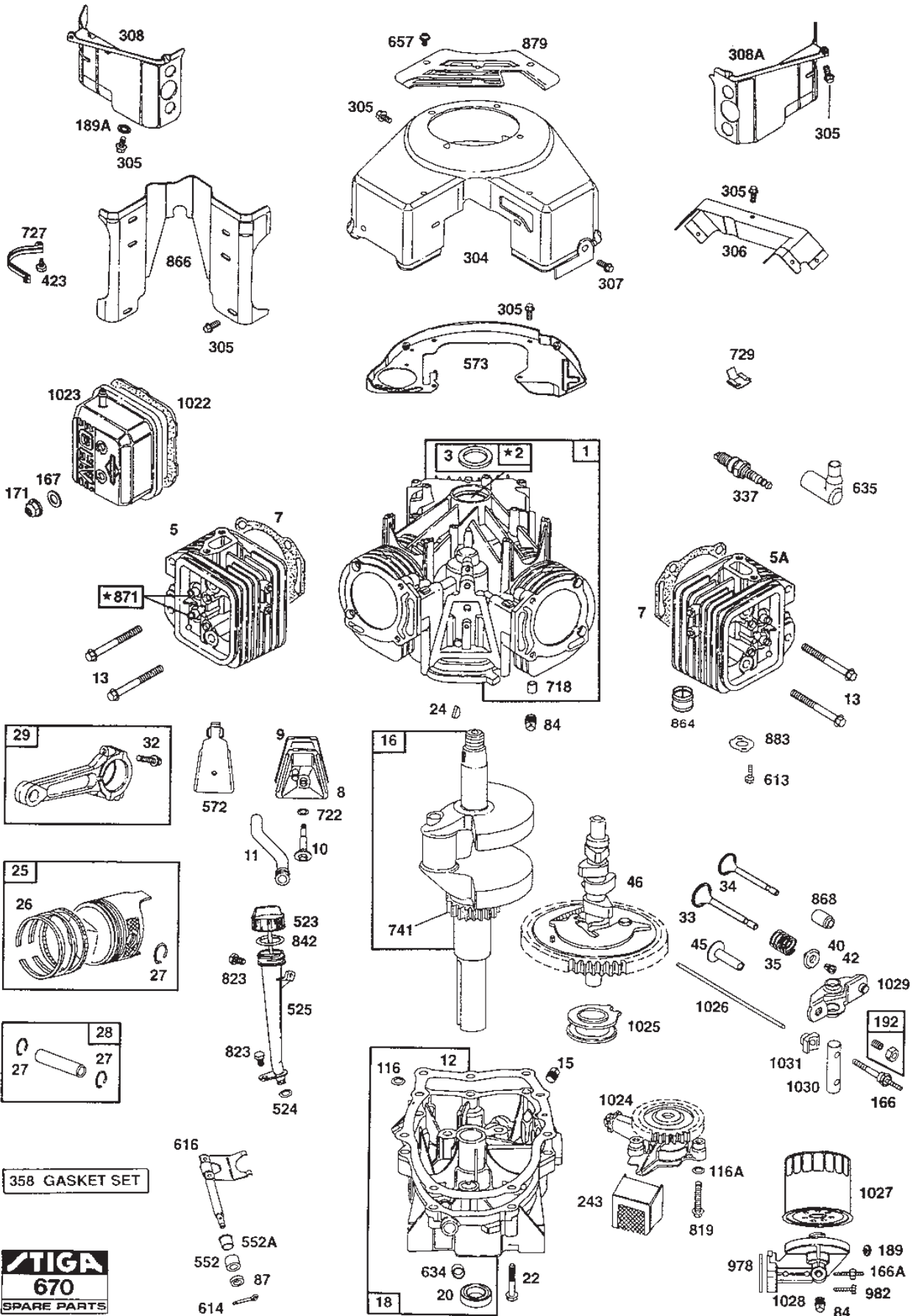
Utgåva Issue 41 - 2014		Kanzaki Transaxel K-61E Neutralarm		Kanzaki Transaxle K-61E Neutral Centering	
Pos. Fig.	Antal Quantity	Art nr Part No	Benämning	Description	Anmärkning Notes
1	1	1139-1032-01	Vridcentrum	Fulcrum	
2	1	1139-1051-01	Reglageaxel Kpl	Control Shaft Assy	Inkl. pos 3-4
5	1	1139-1102-01	Bricka	Washer	
6	1	1139-1114-01	O-Ring	O-Ring	
7	1	1139-1117-01	O-Ring	O-Ring	
8	1	1139-1127-01	Mutter	Nut	
9	1	1139-1052-01	Låsring	Snap Ring	



Utgåva Issue 41 - 2014		Kanzaki Transaxle K-61E Differentialdrev		Kanzaki Transaxle K-61E Differential Gear	
Pos. Fig.	Antal Quantity	Art nr Part No	Benämning	Description	Anmärkning Notes
1	2	1139-1128-01	Differentialdrevsats	Diff. Gear Kit	
2	2	1139-1034-01	Bricka	Thrust Washer	
3	2	1139-1074-01	Differentialdrev	Differential pinion	
4	1	1139-1035-01	Drev	Shaft Diff. Pinion	
5	1	1139-1039-01	Slutdrev	Final Gear	
11	1	1139-1036-01	Drev	Shaft Final Pinion	
12	1	1139-1037-01	Bricka	Washer	
13	1	1139-1038-01	Bussning	Bushing	
14	1	1139-1048-01	Drev Slutaxel 41T	Gear Final Shaft 41T	
15	1	1139-0236-01	Kullager	Ball Bearing	



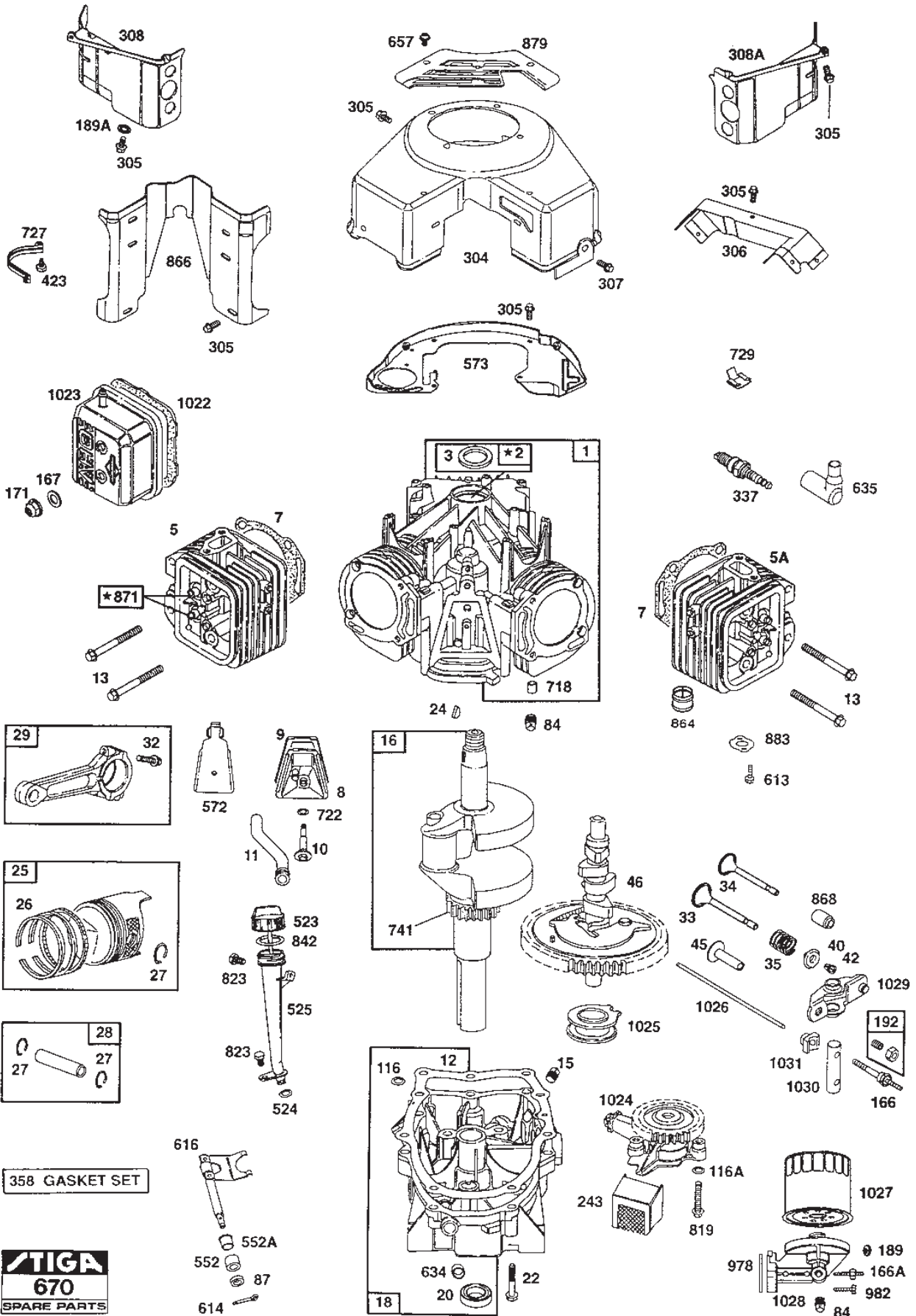
Utgåva Issue 41 - 2014		Kanzaki Transaxel K-61E Hjulaxlar		Kanzaki Transaxle K-61E Axle Shaft	
Pos. Fig.	Antal Quantity	Art nr Part No	Benämning	Description	Anmärkning Notes
1	1	1139-1040-01	Axel Vä	Axle Shaft Left	
2	1	1139-1041-01	Axel Hö	Axle Shaft Right	
3	2	1139-1043-01	Bussning	Bushing	
4	2	1139-1046-01	Bricka	Thrust Washer	
5	2	1139-1045-01	Låsring	Ring	
6	2	1139-1044-01	Tätning	Seal 25.4*42*8	



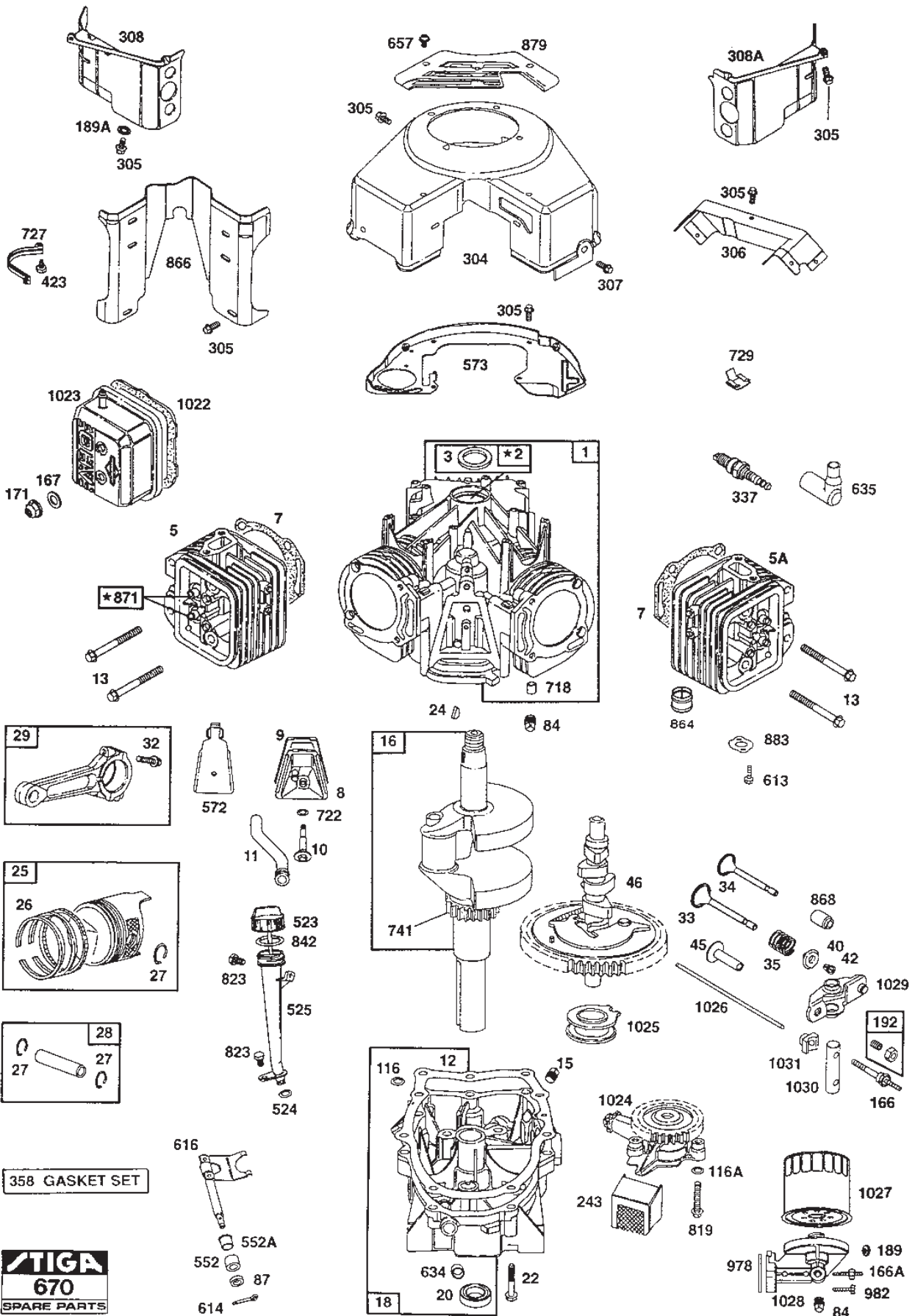
358 GASKET SET

STIGA
670
SPARE PARTS

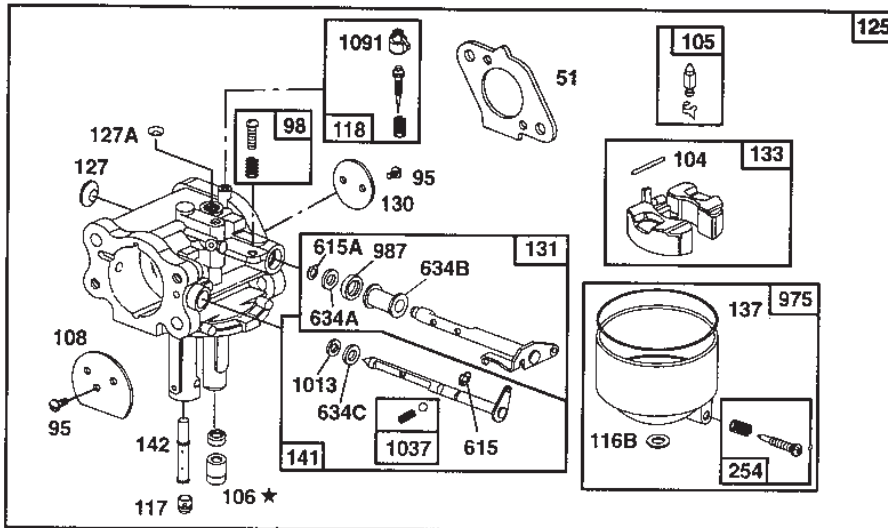
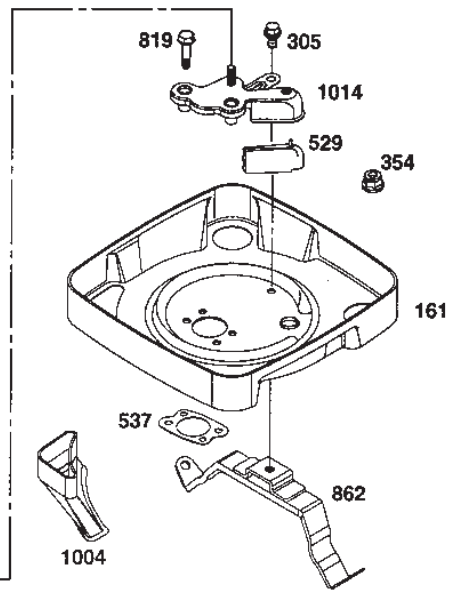
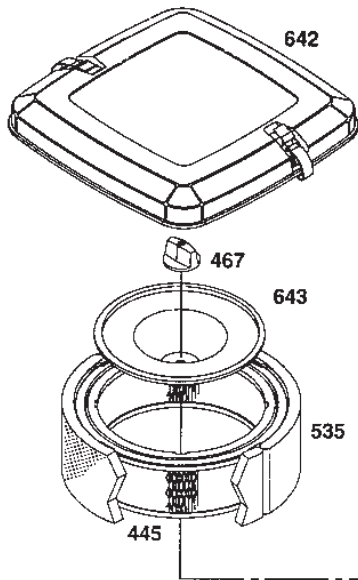
Utgåva Issue 41 - 2014		Cylinder Vevhus	Cylinder Crankcase		
Pos. Fig.	Antal Quantity	Art nr Part No	Benämning	Description	Anmärkning Notes
1	1	807787	Cylinder	Cylinder	
2	1	805687	Bussning	Bushing	
3	1	805101	Oil seal	Oil seal	
5	1	807821	Topplock	Cylinder Head	
5	1	807822	Topplock	Cylinder Head	
7	2	805653	Packning	Gasket	
8	1	807795	Vevhusventilation	Breather	
10	1	805751	Skruv	Screw	
11	1	805362	Rör	Tube	
12	1	805112	Packning	Gasket	
13	8	805097	Skruv	Screw	
15	1	805048	Oil drain plug	Oil drain plug	
16	1	807779	Governor gear	Crankshaft	
18	1	807638	Crankcase	Crankcase	
20	1	805049	Oil seal	Oil seal	
22	9	805696	Skruv	Screw	
24	1	806066	Kil	Key	
25	2	807888	Kolv	Piston	STD
25	2	807993	Kolv	Piston	0.030" oversize
25	2	807992	Kolv	Piston	0.020" oversize
25	2	807991	Kolv	Piston	0.010" oversize
26	2	807889	Fuel tank assy	Ring set	STD
26	2	807996	Fuel tank assy	Ring set	0.030" oversize
26	2	807995	Belt keeper	Ring set	0.020" oversize
26	2	807994	Fuel tank assy	Ring set	0.010" oversize
27	4	805099	Låsring	Lock	
28	2	807886	Kolvsprint	Piston Pin	
29	2	807803	Governor gear	Connecting Rod	0.020" undersize
29	2	807900	Bearing holder	Connecting Rod	
32	4	805395	Skruv	Screw	
33	2	807681	Exhaust valve	Exhaust valve	
34	2	807680	Insugningsventil	Intake valve	
35	4	805937	Fjäder	Spring	
40	4	805092	Retainer	Retainer	
42	4	807683	Cover	Retainer	
45	4	262679	Valve tappet	Valve tappet	
46	1	807542	Kamaxel	Camshaft	
84	2	91488	Plugg	Plug	
87	1	805054	Seal	Seal	
116	1	805058	O-ring	O-ring	
116	2	805198	O-ring	O-ring	
166	1	805073	Stud	Stud	
166	4	805343	Stud	Stud	
167	4	805420	Bricka	Washer	
171	4	805019	Mutter	Nut	
189	1	806101	Bricka	Washer	
189	2	805449	Bricka	Washer	
192	2	807623	Skruv	Screw	
243	1	805964	Oil screen	Oil screen	



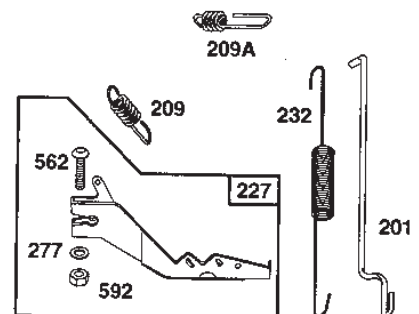
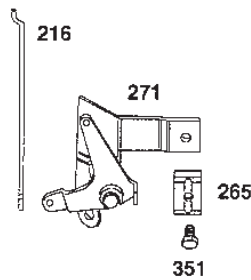
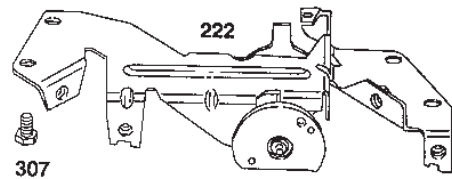
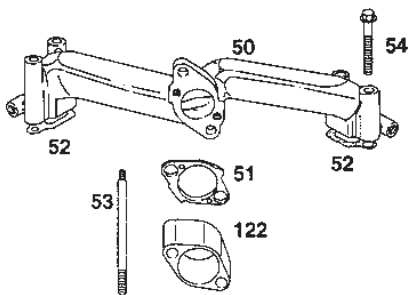
Utgåva Issue 41 - 2014		Cylinder Vevhus	Cylinder Crankcase		
Pos. Fig.	Antal Quantity	Art nr Part No	Benämning	Description	Anmärkning Notes
304	1	808220	Rotor,flail	Blower housing	
305	12	805026	Skruv	Screw	
306	1	807661	Cover	Cover	
307	2	805025	Skruv	Screw	
308	1	808098	Ledplåt	Air Guide	
308	1	808309	Ledplåt	Air Guide	
337	1	491055	Spark plug-long thr	Spark plug-long thr.	Champion RC-12YC
337	2	491055	Spark plug-long thr	Spark plug-long thr.	Champion RC-12YC
337	2	9400-0244-00	Tändstift	Spark Plug	Champion RC-12YC
358	1	807887	Packningssats	Gasket set	Märkta/marked S
423	2	805260	Skruv	Screw	
523	1	807985	Clevis pin	Oil dipstick	
524	1	805011	Oil seal	Oil seal	
525	1	807501	Påfyllningsrör	Oil filler tube	
552	1	805413	Bussning	Bushing	
552	1	805412	Bussning	Bushing	
572	1	805197	Baffle	Baffle	
573	1	807663	Back plate	Back plate	
613	4	805158	Skruv	Screw	
614	1	805417	Saxpinne	Cotter pin	
614	1	806096	Bricka	Washer	
616	1	807596	Governor fork	Governor fork	
634	1	806096	Bricka	Washer	
635	2	805529	Tändstiftsskydd	Spark plug elbow	
657	2	805009	Skruv	Screw	
718	2	805103	Styrpinne	Dowel pin	
727	1	805505	Shield	Shield	
729	1	224356	Debris clip	Debris clip	
741	1	805984	Gear	Gear	
819	2	805057	Skruv	Screw	
823	2	805317	Skruv	Screw	
842	1	270920	Tätning	Seal	
864	2	805083	Avgasport	Exhaust port liner	
866	1	805738	Valley cover	Valley cover	
868	4	805094	Seal	Seal	
871	4	805084	Valve guide	Valve guide	
879	1	805841	Förgasarkåpa	Carburettor Cover	
883	2	805024	Packning	Gasket	
978	1	805250	Packning	Gasket	
982	2	805030	Skruv	Screw	
1022	2	806039	Packning	Gasket	
1023	2	805100	Valve cover	Valve cover	
1024	1	807546	Oil pump	Oil pump	
1025	1	805313	Governor slider	Governor slider	
1026	2	805352	Stötstång (stål)	Push rod (steel)	
1026	2	805617	Stötstång (alum)	Push rod (alum)	
1027	1	492932	Oljefilter	Oil Filter	
1028	1	808235	Oljefilteradapter	Oil filter adapter	
1029	4	808096	Vipparm	Rocker arm	



Utgåva Issue 41 - 2014		Cylinder Vevhus Cylinder Crankcase			
Pos. Fig.	Antal Quantity	Art nr Part No	Benämning	Description	Anmärkning Notes
1030	2	805342	Axel	Shaft	
1031	4	805341	Fäste	Support	

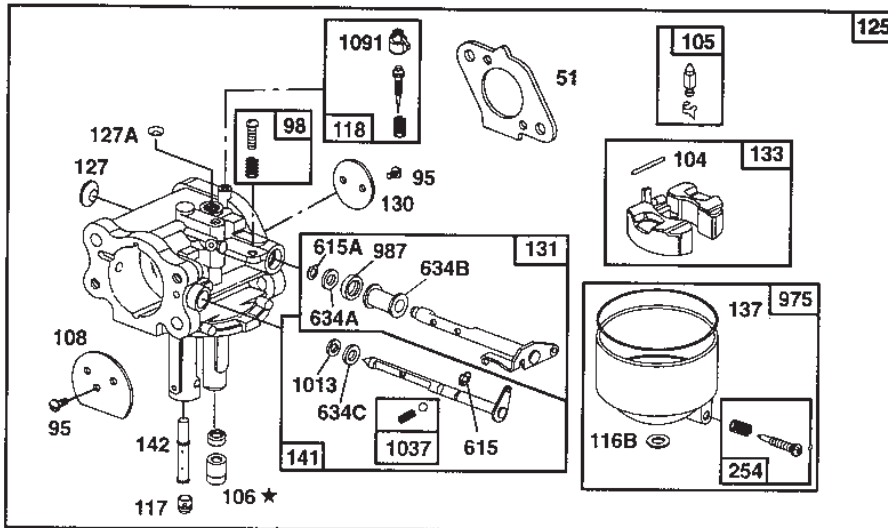
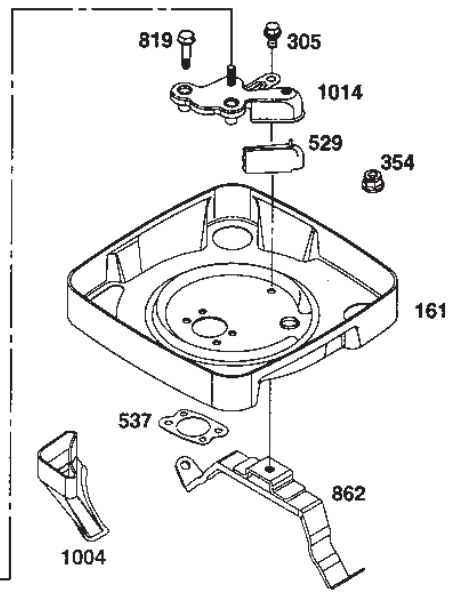
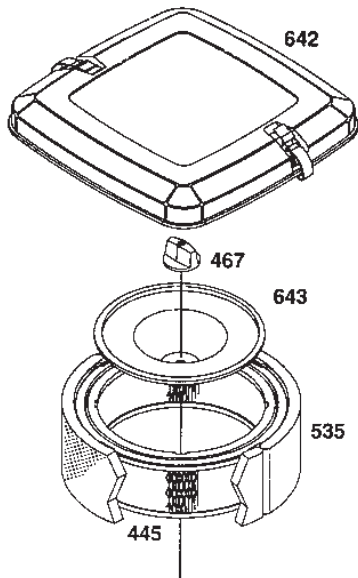


121 CARBURETOR KIT

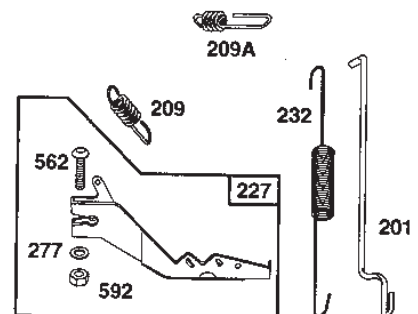
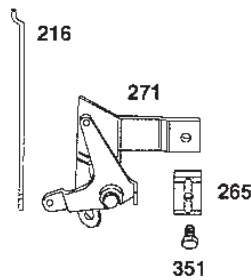
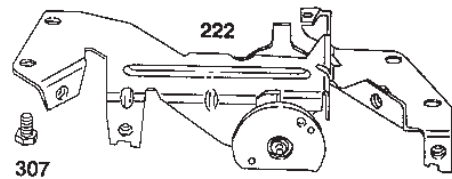
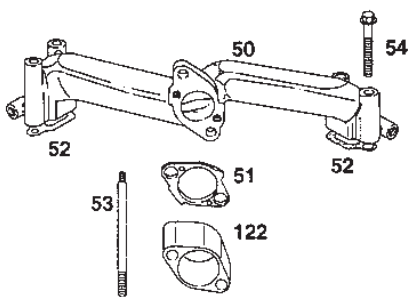


358 GASKET SET

Utgåva Issue 41 - 2014		Förgasare Luftfilter	Carburettor Air Cleaner		
Pos. Fig.	Antal Quantity	Art nr Part No	Benämning	Description	Anmärkning Notes
50	1	805772	Insugningsrör	Intake Manifold	
51	1	805700	Packning	Gasket	
52	2	805023	Packning	Gasket	
53	1	805669	Stud	Stud	
54	4	805006	Skruv	Screw	
95	2	805561	Skruv	Screw	
98	1	807705	Skruv	Screw	
104	1	805586	Flottöraxel	Hinge pin	
105	1	807706	Exhaust valve assy	Fuel inlet valve	
108	1	805562	Choke valve	Choke valve	
116	1	224531	Packning	Gasket	
117	1	806109	Munstycke	Main jet	
118	1	808374	Justerskruv	Idle valve	
121	1	807708	Exhaust valve assy	Carburettor overhaul	Märkta/marked F
122	1	805674	Distans	Spacer	
125	1	808363	Förgasare kpl	Carburettor Assy	
127	1	805571	Welch plug	Welch plug	
127	1	805570	Welch plug	Welch plug	
130	1	805572	Gasspjäll	Throttle Valve	
131	1	808375	Spjällsaxeln	Throttle Shaft	
133	1	807710	Flottör	Float	
141	1	807711	Exhaust valve assy	Choke shaft	
142	1	806110	Nozzle	Nozzle	
161	1	807857	Luftrenarfäste	Air Cleaner Base	
187	1	393815	Bränsleledning	Fuel line	L=279 mm
201	1	805480	Governor link	Governor link	
209	1	805453	Fjäder	Spring	
209	1	805461	Fjäder	Spring	
216	1	805439	Choke link	Choke link	
222	1	808195	Fäste	Control Bracket	
227	1	807528	Governor lever	Governor lever	
232	1	805465	Fjäder	Spring	
240	1	493629	Bränslefilter	Fuel Filter	
254	1	807713	Dräneringsskruv	Drain	
265	2	221535	Klämma	Clamp	
271	1	808145	Reglagearm	Control Lever	
277	1	805018	Bricka	Washer	
305	1	805026	Skruv	Screw	
307	6	805025	Skruv	Screw	
351	2	805762	Skruv	Screw	
354	1	810078	Mutter	Nut	
358	1	807989	Packningssats	Gasket set	Märkta/marked S
387	1	808322	Cover	Fuel pump	
445	1	394018	Air cleaner cartridge	Air cleaner cartridge	
467	1	491875	Låsrott	Knob	
529	1	805783	Hylsa	Grommet	
535	1	272490	Förfilter	Pre cleaner filter	
537	1	805655	Packning	Gasket	
562	1	805381	Skruv	Screw	

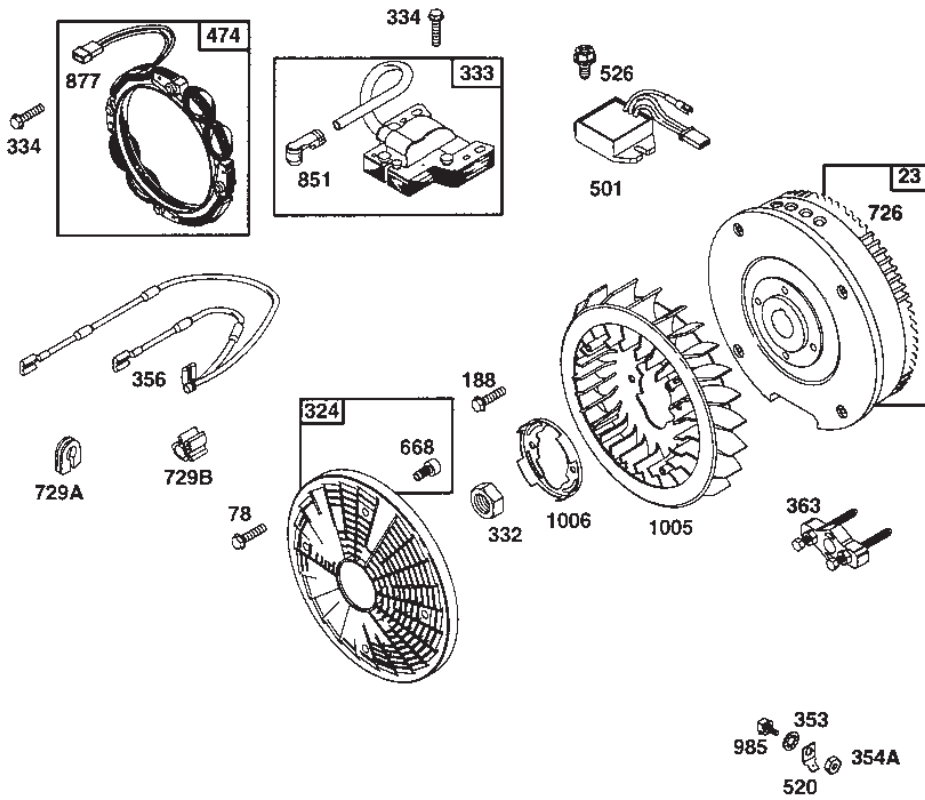
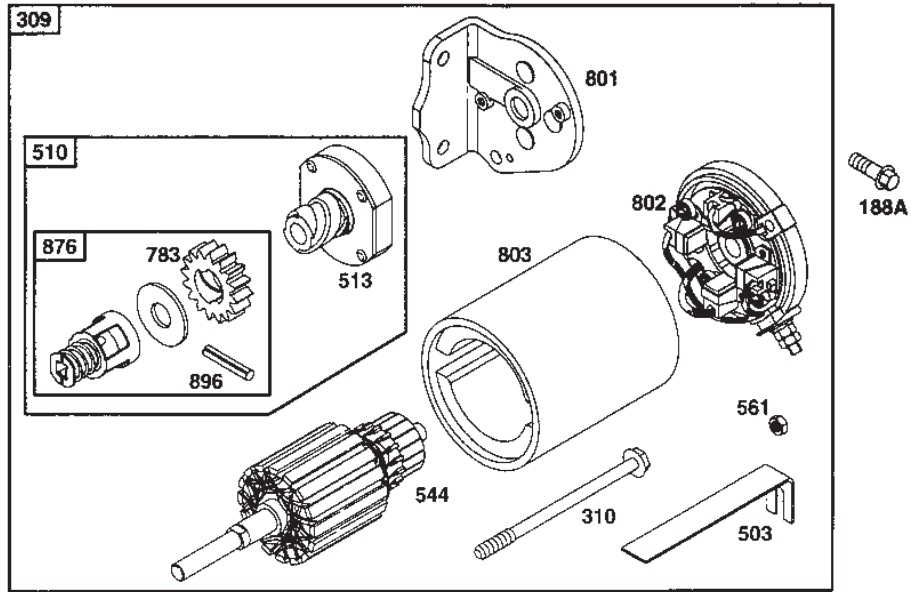


121 CARBURETOR KIT



358 GASKET SET

Utgåva Issue 41 - 2014		Förgasare Luftfilter	Carburettor Air Cleaner		
Pos. Fig.	Antal Quantity	Art nr Part No	Benämning	Description	Anmärkning Notes
592	1	805383	Mutter	Nut	
601	2	93053	Slangklämma	Hose clamp	
615	1	805577	Retainer	Retainer	
615	1	805578	Retainer	Retainer	
634	1	805576	Collar	Collar	
634	1	805574	Collar	Collar	
634	1	805580	Collar	Collar	
642	1	807862	Wheel axle bolt	Cover	
643	1	805631	Plate	Plate	
788	1	807685	Fäste	Bracket	
819	1	805057	Skruv	Screw	
823	2	805317	Skruv	Screw	
862	1	807859	Fäste	Bracket	
918	1	393815	Bränsleledning	Fuel line	
975	1	807715	Cap	Bowl	
987	1	806079	Seal	Seal	
1004	1	805632	Air inlet tube	Air inlet tube	
1013	1	805581	Seal	Seal	
1014	1	807963	Deflektor	Deflector	
1037	1	807717	Kula	Ball	
1091	1	805858	Huv	Limiter cap	



Utgåva Issue 41 - 2014		Elsystem Startmotor		Electric System Starter Motor	
Pos. Fig.	Antal Quantity	Art nr Part No	Benämning	Description	Anmärkning Notes
23	1	808132	Fuel tank	Flywheel	
78	3	805447	Skruv	Screw	
188	2	805247	Skruv	Screw	
188	4	94627	Skruv	Screw	
309	1	497401	Starter motor	Starter motor	
310	2	94004	Bult	Bolt	
324	1	494439	Nät	Screen	
332	1	806028	Mutter	Nut	
333	1	492341	Armature magneto	Armature magneto	
334	6	805407	Skruv	Screw	
353	1	92791	Bricka	Washer	
354	1	90576	Mutter	Nut	
356	1	493792	Gasreglage	Throttle Cable	
363	1	19203	Avdragare	Puller	Tillbehör/Accessory
474	1	393295	Generator	Alternator	
501	1	394890	Regulator	Regulator	
503	1	806000	Strap	Strap	
510	1	495878	Drev kpl	Drive assy	
513	1	389003	Koppling	Clutch	
513	1	398003	Koppling kpl	Clutch Ass.Y	
520	1	93722	Anslutningsbleck	Terminal	
526	2	805448	Skruv	Screw	
544	1	490309	Armature	Armature	
561	1	92278	Mutter	Nut	
668	1	805402	Distans	Spacer	
726	1	807805	Breather body	Gear	
729	1	805641	Hylsa	Grommet	
729	1	280470	Wire clip	Wire clip	
783	1	280104	Drev	Gear	
801	1	394856	Lock	Drive end cap	
802	1	494988	Bottenkåpa	Commutator end cap	
803	1	494205	Hus	Housing	
851	1	493880	Terminal	Terminal	
876	1	495877	Retainer kit	Retainer kit	
877	1	393456	Connector	Connector	
896	1	94288	Stift	Roll pin	
985	1	398525	Isolator	Insulator	
1005	1	808082	Tab	Fan	
1006	1	224413	Hållare	Fan retainer	

code	pos.	q.ty	page											
1131-1497-01	5	1	p. 11	1134-1883-01	30	1	p. 29	1134-2857-01	122	1	p. 19			
1131-1497-01	68	1	p. 9	1134-1888-01	47	2	p. 11	1134-2858-01	118	1	p. 19			
1131-1506-00	19	1	p. 19	1134-1888-01	47	2	p. 17	1134-2859-01	117	1	p. 19			
1131-1506-00	23	1	p. 11	1134-1889-01	30	1	p. 7	1134-2862-01	119	1	p. 19			
1131-1506-00	61	1	p. 7	1134-1893-01	52	1	p. 11	1134-2866-02	121	1	p. 19			
1134-0022-00	15	1	p. 11	1134-1893-01	52	1	p. 17	1134-2870-01	68	1	p. 5			
1134-0022-00	31	1	p. 29	1134-1966-03	24	1	p. 27	1134-2871-01	124	1	p. 19			
1134-0027-01	8	1	p. 11	1134-1972-01	10	1	p. 11	1134-2871-03	8	1	p. 17			
1134-0027-01	27	1	p. 15	1134-1975-10	78	1	p. 9	1134-2872-01	81	1	p. 9			
1134-0031-00	18	1	p. 3	1134-2018-01	27	1	p. 11	1134-2877-02	42	1	p. 7			
1134-0041-01	3	3	p. 27	1134-2021-01	77	1	p. 23	1134-2878-01	1	1	p. 7			
1134-0041-02	11	1	p. 7	1134-2053-04	10	1	p. 3	1134-2888-01	51	2	p. 3			
1134-0041-02	11	4	p. 27	1134-2151-02	67	1	p. 9	1134-2892-01	32	1	p. 25			
1134-0041-03	92	1	p. 13	1134-2163-01	36	1	p. 29	1134-2902-01	18	1	p. 33			
1134-0041-03	92	1	p. 17	1134-2166-01	37	1	p. 29	1134-2902-01	125	1	p. 19			
1134-0050-00	14	1	p. 29	1134-2171-01	32	1	p. 3	1134-2902-02	17	1	p. 17			
1134-0051-09	40	1	p. 11	1134-2174-01	30	1	p. 3	1134-2902-02	20	1	p. 33			
1134-0051-09	40	1	p. 17	1134-2174-02	29	1	p. 3	1134-2941-01	43	2	p. 7			
1134-0052-00	36	2	p. 11	1134-2215-01	1	1	p. 3	1134-2944-01	72	1	p. 5			
1134-0052-00	36	2	p. 17	1134-2310-01	10	1	p. 25	1134-2947-01	14	1	p. 25			
1134-0057-00	35	1	p. 3	1134-2333-02	8	1	p. 25	1134-2948-01	11	1	p. 25			
1134-0057-00	42	1	p. 11	1134-2381-01	63	1	p. 11	1134-2951-01	46	1	p. 3			
1134-0057-00	42	1	p. 17	1134-2453-01	3	1	p. 11	1134-2961-01	2	2	p. 29			
1134-0075-01	38	2	p. 3	1134-2454-01	48	1	p. 29	1134-2962-01	12	1	p. 25			
1134-0143-00	2	1	p. 11	1134-2518-01	2	1	p. 15	1134-2975-04	48	1	p. 7			
1134-0153-00	17	1	p. 11	1134-2519-03	21	1	p. 15	1134-2988-01	14	2	p. 7			
1134-0222-00	44	1	p. 11	1134-2520-02	6	1	p. 15	1134-3022-01	4	2	p. 27			
1134-0222-00	44	1	p. 17	1134-2521-01	18	1	p. 15	1134-3082-01	66	1	p. 25			
1134-0225-00	22	4	p. 3	1134-2522-01	5	1	p. 15	1134-3084-01	32	1	p. 27			
1134-0234-01	9	1	p. 25	1134-2524-01	12	1	p. 15	1134-3085-01	29	1	p. 27			
1134-0240-00	16	1	p. 21	1134-2529-01	8	1	p. 15	1134-3156-02	65	1	p. 25			
1134-0245-00	3	1	p. 15	1134-2541-01	1	1	p. 29	1134-3203-02	39	1	p. 33			
1134-0245-00	69	1	p. 9	1134-2663-01	7	1	p. 15	1134-3203-04	23	1	p. 33			
1134-0266-00	35	1	p. 19	1134-2700-01	5	2	p. 19	1134-3203-05	19	1	p. 25			
1134-0267-00	113	1	p. 19	1134-2703-01	8	1	p. 19	1134-3215-01	4	1	p. 3			
1134-0269-00	25	1	p. 19	1134-2739-01	2	1	p. 19	1134-3224-01	46	1	p. 7			
1134-0269-00	60	1	p. 7	1134-2754-01	1	1	p. 19	1134-3225-01	47	1	p. 7			
1134-0341-01	39	6	p. 3	1134-2765-02	41	1	p. 21	1134-3244-01	15	1	p. 7			
1134-0410-08	999	1	p. 31	1134-2766-02	12	1	p. 19	1134-3251-02	62	1	p. 25			
1134-0493-00	20	1	p. 29	1134-2766-02	74	1	p. 23	1134-3252-02	45	1	p. 3			
1134-0583-00	12	1	p. 11	1134-2777-02	42	1	p. 21	1134-3286-01	1	1	p. 29			
1134-0995-01	6	1	p. 7	1134-2778-01	44	1	p. 21	1134-3286-01	1	1	p. 29			
1134-0997-01	5	1	p. 7	1134-2779-02	23	1	p. 21	1134-3300-01	33	1	p. 25			
1134-1023-00	31	1	p. 7	1134-2780-01	4	2	p. 19	1134-3305-03	1	1	p. 33			
1134-1183-04	52	2	p. 3	1134-2782-01	29	1	p. 25	1134-3309-01	5	1	p. 33			
1134-1184-02	66	1	p. 7	1134-2786-01	84	1	p. 23	1134-3310-01	6	1	p. 33			
1134-1242-02	26	1	p. 11	1134-2789-01	85	1	p. 23	1134-3313-01	7	1	p. 33			
1134-1322-01	55	1	p. 11	1134-2790-01	86	1	p. 23	1134-3314-01	12	1	p. 33			
1134-1322-01	55	1	p. 17	1134-2816-01	9	4	p. 27	1134-3317-01	3	1	p. 33			
1134-1396-02	8	1	p. 11	1134-2818-01	21	2	p. 27	1134-3320-01	9	1	p. 33			
1134-1396-02	27	1	p. 15	1134-2820-01	15	1	p. 27	1134-3329-01	19	1	p. 33			
1134-1466-01	67	1	p. 25	1134-2820-02	43	2	p. 27	1134-3329-01	19	1	p. 33			
1134-1565-01	25	1	p. 11	1134-2820-02	44	1	p. 27	1134-3329-02	19	1	p. 33			
1134-1565-01	25	1	p. 17	1134-2820-04	45	1	p. 27	1134-3329-02	19	1	p. 33			
1134-1650-01	18	2	p. 29	1134-2824-01	16	10	p. 27	1134-3329-03	88	1	p. 25			
1134-1652-01	13	1	p. 29	1134-2833-10	48	1	p. 3	1134-3331-01	16	1	p. 33			
1134-1711-01	12	2	p. 29	1134-2837-02	33	1	p. 27	1134-3332-01	36	1	p. 33			
1134-1730-01	46	1	p. 11	1134-2846-01	28	1	p. 29	1134-3355-01	4	1	p. 7			
1134-1730-01	46	1	p. 17	1134-2847-01	50	1	p. 29	1134-3363-01	73	1	p. 5			
1134-1757-07	1	1	p. 15	1134-2848-01	47	1	p. 25	1134-3365-01	20	1	p. 21			
1134-1757-07	17	1	p. 3	1134-2849-01	3	1	p. 19	1134-3368-01	48	1	p. 25			
1134-1769-02	37	1	p. 11	1134-2849-02	3	1	p. 19	1134-3371-02	28	1	p. 3			
1134-1769-02	37	1	p. 17	1134-2852-01	46	1	p. 25	1134-3371-03	28	1	p. 3			
1134-1770-01	48	1	p. 11	1134-2853-01	45	1	p. 25	1134-3375-01	90	1	p. 23			
1134-1770-01	48	1	p. 17	1134-2857-01	16	1	p. 17	1134-3376-01	50	2	p. 21			
1134-1814-01	44	1	p. 25	1134-2857-01	17	4	p. 33	1134-3377-01	28	1	p. 7			
				1134-2857-01	87	1	p. 25	1134-3378-01	83	1	p. 23			

code	pos.	q.ty	page												
1134-3379-01	19	1	p. 21	1134-9024-01	2	1	p. 33	1139-1049-01	10	1	p. 41				
1134-3380-01	11	1	p. 7	1134-9024-01	24	1	p. 19	1139-1050-01	14	2	p. 35				
1134-3381-01	13	1	p. 21	1134-9024-01	59	1	p. 7	1139-1051-01	2	1	p. 45				
1134-3383-01	63	2	p. 23	1134-9026-01	2	1	p. 33	1139-1052-01	9	1	p. 45				
1134-3386-01	25	1	p. 21	1134-9027-01	30	1	p. 11	1139-1074-01	3	2	p. 47				
1134-3387-01	63	1	p. 7	1134-9028-01	7	1	p. 3	1139-1102-01	5	1	p. 45				
1134-3388-01	27	1	p. 21	1134-9037-01	9	1	p. 21	1139-1103-01	7	1	p. 35				
1134-3389-01	22	1	p. 21	1134-9047-01	57	1	p. 17	1139-1104-01	8	1	p. 35				
1134-3393-01	60	2	p. 21	1139-0004-01	12	1	p. 33	1139-1106-01	22	1	p. 43				
1134-3395-01	80	1	p. 23	1139-0223-01	1	1	p. 35	1139-1107-01	31	1	p. 37				
1134-3399-01	34	1	p. 25	1139-0236-01	15	1	p. 47	1139-1110-01	10	1	p. 39				
1134-3411-03	3	1	p. 3	1139-0244-01	12	15	p. 35	1139-1110-01	12	1	p. 41				
1134-3450-01	23	1	p. 19	1139-1001-01	21	1	p. 21	1139-1112-01	13	1	p. 43				
1134-3450-01	58	1	p. 7	1139-1002-01	2	1	p. 35	1139-1113-01	27	1	p. 37				
1134-3451-01	31	1	p. 21	1139-1003-01	3	1	p. 35	1139-1113-01	32	1	p. 37				
1134-3455-01	13	1	p. 7	1139-1004-01	1	1	p. 41	1139-1114-01	6	1	p. 45				
1134-3456-01	32	2	p. 7	1139-1005-01	2	1	p. 41	1139-1115-01	33	1	p. 37				
1134-3459-01	10	1	p. 21	1139-1006-01	4	1	p. 35	1139-1117-01	7	1	p. 45				
1134-3491-01	16	1	p. 25	1139-1007-01	5	1	p. 35	1139-1119-01	9	1	p. 35				
1134-3496-02	17	1	p. 25	1139-1008-01	2	2	p. 37	1139-1120-01	10	1	p. 35				
1134-3499-01	49	2	p. 7	1139-1009-01	1	1	p. 37	1139-1121-01	28	2	p. 37				
1134-3499-02	24	2	p. 21	1139-1010-01	4	1	p. 37	1139-1122-01	24	3	p. 41				
1134-3540-01	75	3	p. 5	1139-1011-01	5	1	p. 37	1139-1123-01	11	1	p. 35				
1134-3546-01	47	1	p. 3	1139-1012-01	16	1	p. 37	1139-1125-01	34	3	p. 37				
1134-3547-01	42	3	p. 27	1139-1013-01	8	1	p. 37	1139-1126-01	13	3	p. 35				
1134-3550-01	46	2	p. 27	1139-1013-01	19	1	p. 37	1139-1127-01	8	1	p. 45				
1134-3552-01	30	1	p. 21	1139-1014-01	9	1	p. 37	1139-1128-01	1	2	p. 47				
1134-3558-01	99	1	p. 5	1139-1014-01	20	1	p. 37	1139-1129-01	15	1	p. 35				
1134-3565-01	47	4	p. 27	1139-1015-01	29	1	p. 37	1139-1130-01	15	1	p. 35				
1134-3573-01	9	1	p. 11	1139-1016-01	30	1	p. 37	1139-1131-01	15	1	p. 35				
1134-3574-01	15	1	p. 7	1139-1017-01	1	1	p. 39	9400-0063-00	69	1	p. 25				
1134-3583-01	8	1	p. 21	1139-1017-01	3	1	p. 41	9400-0064-02	7	1	p. 25				
1134-3584-01	17	1	p. 19	1139-1018-01	6	1	p. 39	9400-0075-00	68	1	p. 25				
1134-3584-01	62	1	p. 7	1139-1018-01	8	1	p. 41	9400-0231-00	29	2	p. 33				
1134-3584-01	73	1	p. 23	1139-1019-01	7	2	p. 39	9400-0238-00	34	2	p. 33				
1134-3593-01	41	1	p. 7	1139-1019-01	9	1	p. 41	9400-0244-00	337	2	p. 53				
1134-3618-01	6	1	p. 29	1139-1020-01	8	1	p. 39	9403-0035-10	79	1	p. 9				
1134-3618-02	10	1	p. 29	1139-1021-01	9	3	p. 39	9404-0020-00	7	1	p. 7				
1134-3631-01	16	1	p. 25	1139-1021-01	11	2	p. 41	9404-0500-00	96	1	p. 23				
1134-3633-01	20	1	p. 15	1139-1021-01	21	1	p. 41	9405-0029-00	6	3	p. 3				
1134-3637-01	50	1	p. 25	1139-1022-01	1	2	p. 43	9501-0500-00	16	4	p. 3				
1134-3638-01	2	1	p. 17	1139-1023-01	2	1	p. 43	9501-0502-00	13	1	p. 3				
1134-3640-01	123	1	p. 19	1139-1024-01	5	1	p. 43	9545-0116-00	49	2	p. 3				
1134-3646-01	43	1	p. 33	1139-1025-01	6	1	p. 43	9545-0116-00	61	2	p. 23				
1134-3647-01	24	1	p. 33	1139-1026-01	7	1	p. 43	9545-0500-00	50	2	p. 3				
1134-3652-01	42	1	p. 33	1139-1027-01	8	1	p. 43	9545-0500-00	62	2	p. 23				
1134-3654-01	60	1	p. 11	1139-1028-01	9	1	p. 43	9547-0001-00	36	2	p. 3				
1134-3658-01	27	1	p. 17	1139-1029-01	10	1	p. 43	9549-0017-00	30	2	p. 27				
1134-3662-01	34	1	p. 21	1139-1030-01	11	1	p. 43	9549-0019-00	41	2	p. 11				
1134-3663-01	30	1	p. 17	1139-1031-01	21	1	p. 43	9549-0019-00	41	2	p. 17				
1134-3664-01	1	1	p. 21	1139-1032-01	1	1	p. 45	9549-0036-00	51	2	p. 3				
1134-3674-01	75	1	p. 25	1139-1033-01	22	1	p. 41	9570-0001-00	52	1	p. 19				
1134-3689-01	50	1	p. 25	1139-1034-01	2	2	p. 47	9570-0001-00	75	1	p. 23				
1134-3690-01	22	1	p. 33	1139-1035-01	4	1	p. 47	9570-0004-00	22	1	p. 15				
1134-3691-01	44	1	p. 33	1139-1036-01	11	1	p. 47	9578-0011-00	18	1	p. 7				
1134-3692-01	45	1	p. 33	1139-1037-01	12	1	p. 47	9579-0003-00	20	1	p. 7				
1134-3693-01	46	1	p. 33	1139-1038-01	13	1	p. 47	9579-0003-00	28	10	p. 25				
1134-3704-01	8	1	p. 19	1139-1039-01	5	1	p. 47	9579-0003-00	31	4	p. 33				
1134-3706-01	2	1	p. 19	1139-1040-01	1	1	p. 49	9579-0003-00	47	1	p. 21				
1134-3710-01	52	2	p. 3	1139-1041-01	2	1	p. 49	9595-0110-00	10	3	p. 15				
1134-3712-01	3	1	p. 17	1139-1042-01	6	2	p. 35	9595-0153-00	11	1	p. 15				
1134-3714-01	13	1	p. 33	1139-1043-01	3	2	p. 49	9595-0210-00	4	1	p. 33				
1134-3734-01	43	1	p. 21	1139-1044-01	6	2	p. 49	9595-0235-00	14	2	p. 19				
1134-3817-01	21	2	p. 27	1139-1045-01	5	2	p. 49	9595-0258-00	26	1	p. 21				
1134-9012-01	57	1	p. 11	1139-1046-01	4	2	p. 49	9595-0258-00	37	2	p. 3				
1134-9024-01	2	1	p. 33	1139-1047-01	23	1	p. 41	9595-0262-00	19	1	p. 3				
				1139-1048-01	14	1	p. 47	9595-0262-00	25	1	p. 27				



code	pos.	q.ty	page								
9595-0280-00	8	2	p. 33	9739-0831-22	12	4	p. 7	9959-0820-16	48	1	p. 21
9598-0003-02	53	2	p. 3	9739-0831-22	14	8	p. 3	9959-1020-16	25	2	p. 33
9599-0080-02	53	2	p. 3	9739-0831-22	17	1	p. 7	9959-1020-16	33	1	p. 3
9599-0080-02	55	2	p. 3	9739-0831-22	18	1	p. 21	9959-1025-16	10	1	p. 33
9599-0083-02	28	2	p. 33	9739-0831-22	40	1	p. 21	9959-1025-16	31	1	p. 3
9600-0251-00	19	1	p. 7	9739-0831-22	65	1	p. 7	9959-1025-16	45	1	p. 11
9632-0516-00	5	3	p. 3	9739-0831-22	70	1	p. 9	9959-1025-16	45	1	p. 17
9650-0015-04	33	1	p. 21	9739-0831-22	82	2	p. 23	9987-5338-12	56	1	p. 11
9651-0040-04	38	2	p. 11	9739-0831-22	88	1	p. 23	9987-5357-12	2	1	p. 21
9651-0040-04	38	2	p. 17	9739-1031-22	7	3	p. 27	9987-5357-12	56	1	p. 17
9665-0002-00	17	1	p. 21	9739-1031-22	14	4	p. 27	9988-3616-16	4	4	p. 29
9672-0004-02	16	2	p. 11	9739-1031-22	26	2	p. 33	9988-3619-16	98	2	p. 29
9672-0004-02	32	2	p. 29	9739-1031-22	31	1	p. 17	9988-3716-16	98	2	p. 29
9672-0006-02	49	2	p. 29	9739-1031-22	91	1	p. 11	9988-3719-16	98	2	p. 29
9675-0008-02	29	1	p. 7	9739-1031-22	91	1	p. 17	9997-0512-16	2	4	p. 7
9675-0009-02	17	1	p. 15	9747-0531-02	15	4	p. 33	9997-0520-16	9	1	p. 17
9675-0009-02	19	2	p. 15	9747-0531-02	36	2	p. 25	9997-0520-16	9	2	p. 19
9675-0012-02	37	1	p. 21	9747-0531-02	38	3	p. 33	9997-0520-16	30	1	p. 25
9675-0012-02	89	1	p. 23	9747-0631-02	27	1	p. 7	9997-0520-16	35	2	p. 25
9675-0017-02	5	4	p. 29	9747-0631-02	33	1	p. 7	9997-0520-16	37	3	p. 19
9695-0002-00	4	1	p. 11	9747-0631-02	67	1	p. 5	9997-0616-16	91	1	p. 23
9695-0011-00	34	1	p. 27	9747-0831-02	23	2	p. 27	9997-0630-12	14	1	p. 21
9699-0002-02	46	1	p. 21	9747-0831-02	29	1	p. 21	9997-0670-12	66	1	p. 5
9699-0025-02	9	5	p. 15	9747-0831-02	45	1	p. 7	9997-0812-02	44	1	p. 7
9699-0025-02	11	2	p. 11	9747-0831-02	49	1	p. 21	9997-0835-12	39	1	p. 21
9699-0028-02	36	1	p. 21	9747-0831-02	52	4	p. 21	9997-0840-16	8	1	p. 7
9699-0028-02	38	3	p. 21	9747-0831-02	65	2	p. 23	9997-0840-16	9	2	p. 7
9699-0028-02	82	1	p. 9	9747-1031-02	11	1	p. 33	9997-0845-12	64	2	p. 23
9699-0028-02	99	2	p. 29	9747-1031-02	11	1	p. 33	9997-0850-16	34	1	p. 11
9699-0035-02	8	5	p. 27	9794-5131-02	15	2	p. 25	9997-0850-16	34	1	p. 17
9699-0035-02	34	1	p. 3	9795-3531-02	52	1	p. 25	9997-0855-12	28	1	p. 21
9699-0037-02	27	2	p. 33	9799-0631-02	23	1	p. 15	9997-0865-12	10	1	p. 7
9699-0042-02	54	2	p. 3	9799-0831-02	22	2	p. 29	9997-0865-12	54	1	p. 11
9699-0056-02	35	1	p. 11	9799-1031-02	12	1	p. 21	9997-0865-12	54	1	p. 17
9699-0056-02	35	1	p. 17	9799-1031-02	31	1	p. 11	9997-0870-16	10	1	p. 7
9699-0056-02	57	2	p. 5	9842-0001-16	45	1	p. 21	9997-0870-16	51	4	p. 21
9699-0060-02	69	1	p. 5	9847-8016-16	19	1	p. 11	9997-0870-16	81	1	p. 19
9699-0062-02	11	2	p. 29	9849-8009-16	1	2	p. 25	9997-1030-16	6	3	p. 27
9699-0062-02	53	2	p. 11	9849-8009-16	13	2	p. 25	9997-1030-16	28	1	p. 11
9699-0062-02	53	2	p. 17	9849-8013-16	9	7	p. 3	9997-1040-12	12	2	p. 27
9699-0062-02	83	1	p. 9	9849-8013-16	26	4	p. 3	9997-1040-12	28	1	p. 17
9699-0087-02	8	3	p. 3	9849-8013-16	80	2	p. 9	9997-1070-12	93	1	p. 13
9699-0090-02	22	2	p. 27	9865-0530-16	37	3	p. 33	9997-1070-12	93	1	p. 17
9699-0099-02	3	4	p. 7	9897-1040-12	13	2	p. 27	9997-1450-16	32	1	p. 11
9699-0099-02	25	2	p. 3	9898-0820-16	3	2	p. 29	19203	363	1	p. 61
9699-0103-02	26	1	p. 27	9924-1035-16	11	1	p. 21	90576	354	1	p. 61
9699-0109-02	43	1	p. 11	9942-0612-16	15	2	p. 3	91488	84	2	p. 51
9699-0109-02	43	1	p. 17	9942-0612-16	31	2	p. 27	92278	561	1	p. 61
9699-0114-02	26	1	p. 27	9942-0816-16	20	18	p. 3	92791	353	1	p. 61
9712-1031-02	11	1	p. 33	9942-0816-16	64	2	p. 11	93053	601	2	p. 59
9712-1031-02	11	1	p. 33	9950-0510-16	14	4	p. 33	93722	520	1	p. 61
9739-0531-22	10	1	p. 17	9959-0612-16	15	2	p. 15	94004	310	2	p. 61
9739-0531-22	10	2	p. 19	9959-0612-16	32	4	p. 21	94288	896	1	p. 61
9739-0531-22	31	1	p. 25	9959-0612-16	62	2	p. 11	94627	188	4	p. 61
9739-0531-22	76	2	p. 23	9959-0616-16	63	2	p. 25	221535	265	2	p. 57
9739-0531-22	108	5	p. 19	9959-0816-16	35	1	p. 21	224356	729	1	p. 53
9739-0631-22	15	1	p. 21	9959-0816-16	16	1	p. 7	224413	1006	1	p. 61
9739-0631-22	16	2	p. 15	9959-0816-16	21	4	p. 3	224531	116	1	p. 57
9739-0631-22	61	2	p. 11	9959-0816-16	50	2	p. 19	262679	45	4	p. 51
9739-0631-22	64	2	p. 25	9959-0816-16	64	1	p. 7	270920	842	1	p. 53
9739-0631-22	70	1	p. 5	9959-0816-16	81	2	p. 23	272490	535	1	p. 57
9739-0631-22	92	1	p. 23	9959-0816-16	87	1	p. 23	280104	783	1	p. 61
9739-0831-22	1	2	p. 17	9959-0816-16	103	1	p. 19	280470	729	1	p. 61
9739-0831-22	4	1	p. 15	9959-0820-16	4	2	p. 17	389003	513	1	p. 61
9739-0831-22	5	2	p. 17	9959-0820-16	6	2	p. 19	393295	474	1	p. 61
9739-0831-22	7	7	p. 19	9959-0820-16	23	4	p. 3	393456	877	1	p. 61
				9959-0820-16	33	1	p. 11	393815	187	1	p. 57

code	pos.	q.ty	page									
393815	918	1	p. 59	805395	32	4	p. 51	807661	306	1	p. 53	
394018	445	1	p. 57	805402	668	1	p. 61	807663	573	1	p. 53	
394856	801	1	p. 61	805407	334	6	p. 61	807680	34	2	p. 51	
394890	501	1	p. 61	805412	552	1	p. 53	807681	33	2	p. 51	
398003	513	1	p. 61	805413	552	1	p. 53	807683	42	4	p. 51	
398525	985	1	p. 61	805417	614	1	p. 53	807685	788	1	p. 59	
490309	544	1	p. 61	805420	167	4	p. 51	807705	98	1	p. 57	
491055	337	1	p. 53	805439	216	1	p. 57	807706	105	1	p. 57	
491055	337	2	p. 53	805447	78	3	p. 61	807708	121	1	p. 57	
491875	467	1	p. 57	805448	526	2	p. 61	807710	133	1	p. 57	
492341	333	1	p. 61	805449	189	2	p. 51	807711	141	1	p. 57	
492932	1027	1	p. 53	805453	209	1	p. 57	807713	254	1	p. 57	
493629	240	1	p. 57	805461	209	1	p. 57	807715	975	1	p. 59	
493792	356	1	p. 61	805465	232	1	p. 57	807717	1037	1	p. 59	
493880	851	1	p. 61	805480	201	1	p. 57	807779	16	1	p. 51	
494205	803	1	p. 61	805505	727	1	p. 53	807787	1	1	p. 51	
494439	324	1	p. 61	805529	635	2	p. 53	807795	8	1	p. 51	
494988	802	1	p. 61	805561	95	2	p. 57	807803	29	2	p. 51	
495877	876	1	p. 61	805562	108	1	p. 57	807805	726	1	p. 61	
495878	510	1	p. 61	805570	127	1	p. 57	807821	5	1	p. 51	
497401	309	1	p. 61	805571	127	1	p. 57	807822	5	1	p. 51	
805006	54	4	p. 57	805572	130	1	p. 57	807857	161	1	p. 57	
805009	657	2	p. 53	805574	634	1	p. 59	807859	862	1	p. 59	
805011	524	1	p. 53	805576	634	1	p. 59	807862	642	1	p. 59	
805018	277	1	p. 57	805577	615	1	p. 59	807886	28	2	p. 51	
805019	171	4	p. 51	805578	615	1	p. 59	807887	358	1	p. 53	
805023	52	2	p. 57	805580	634	1	p. 59	807888	25	2	p. 51	
805024	883	2	p. 53	805581	1013	1	p. 59	807889	26	2	p. 51	
805025	307	2	p. 53	805586	104	1	p. 57	807900	29	2	p. 51	
805025	307	6	p. 57	805617	1026	2	p. 53	807963	1014	1	p. 59	
805026	305	1	p. 57	805631	643	1	p. 59	807985	523	1	p. 53	
805026	305	12	p. 53	805632	1004	1	p. 59	807989	358	1	p. 57	
805030	982	2	p. 53	805641	729	1	p. 61	807991	25	2	p. 51	
805048	15	1	p. 51	805653	7	2	p. 51	807992	25	2	p. 51	
805049	20	1	p. 51	805655	537	1	p. 57	807993	25	2	p. 51	
805054	87	1	p. 51	805669	53	1	p. 57	807994	26	2	p. 51	
805057	819	1	p. 59	805674	122	1	p. 57	807995	26	2	p. 51	
805057	819	2	p. 53	805687	2	1	p. 51	807996	26	2	p. 51	
805058	116	1	p. 51	805696	22	9	p. 51	808082	1005	1	p. 61	
805073	166	1	p. 51	805700	51	1	p. 57	808096	1029	4	p. 53	
805083	864	2	p. 53	805738	866	1	p. 53	808098	308	1	p. 53	
805084	871	4	p. 53	805751	10	1	p. 51	808132	23	1	p. 61	
805092	40	4	p. 51	805762	351	2	p. 57	808145	271	1	p. 57	
805094	868	4	p. 53	805772	50	1	p. 57	808195	222	1	p. 57	
805097	13	8	p. 51	805783	529	1	p. 57	808220	304	1	p. 53	
805099	27	4	p. 51	805841	879	1	p. 53	808235	1028	1	p. 53	
805100	1023	2	p. 53	805858	1091	1	p. 59	808309	308	1	p. 53	
805101	3	1	p. 51	805937	35	4	p. 51	808322	387	1	p. 57	
805103	718	2	p. 53	805964	243	1	p. 51	808363	125	1	p. 57	
805112	12	1	p. 51	805984	741	1	p. 53	808374	118	1	p. 57	
805158	613	4	p. 53	806000	503	1	p. 61	808375	131	1	p. 57	
805197	572	1	p. 53	806028	332	1	p. 61	810078	354	1	p. 57	
805198	116	2	p. 51	806039	1022	2	p. 53					
805247	188	2	p. 61	806066	24	1	p. 51					
805250	978	1	p. 53	806079	987	1	p. 59					
805260	423	2	p. 53	806096	614	1	p. 53					
805313	1025	1	p. 53	806096	634	1	p. 53					
805317	823	2	p. 53	806101	189	1	p. 51					
805317	823	2	p. 59	806109	117	1	p. 57					
805341	1031	4	p. 55	806110	142	1	p. 57					
805342	1030	2	p. 55	807501	525	1	p. 53					
805343	166	4	p. 51	807528	227	1	p. 57					
805352	1026	2	p. 53	807542	46	1	p. 51					
805362	11	1	p. 51	807546	1024	1	p. 53					
805381	562	1	p. 57	807596	616	1	p. 53					
805383	592	1	p. 59	807623	192	2	p. 51					
				807638	18	1	p. 51					