



Reservdelskatalog Parts Catalogue

PARK 92M

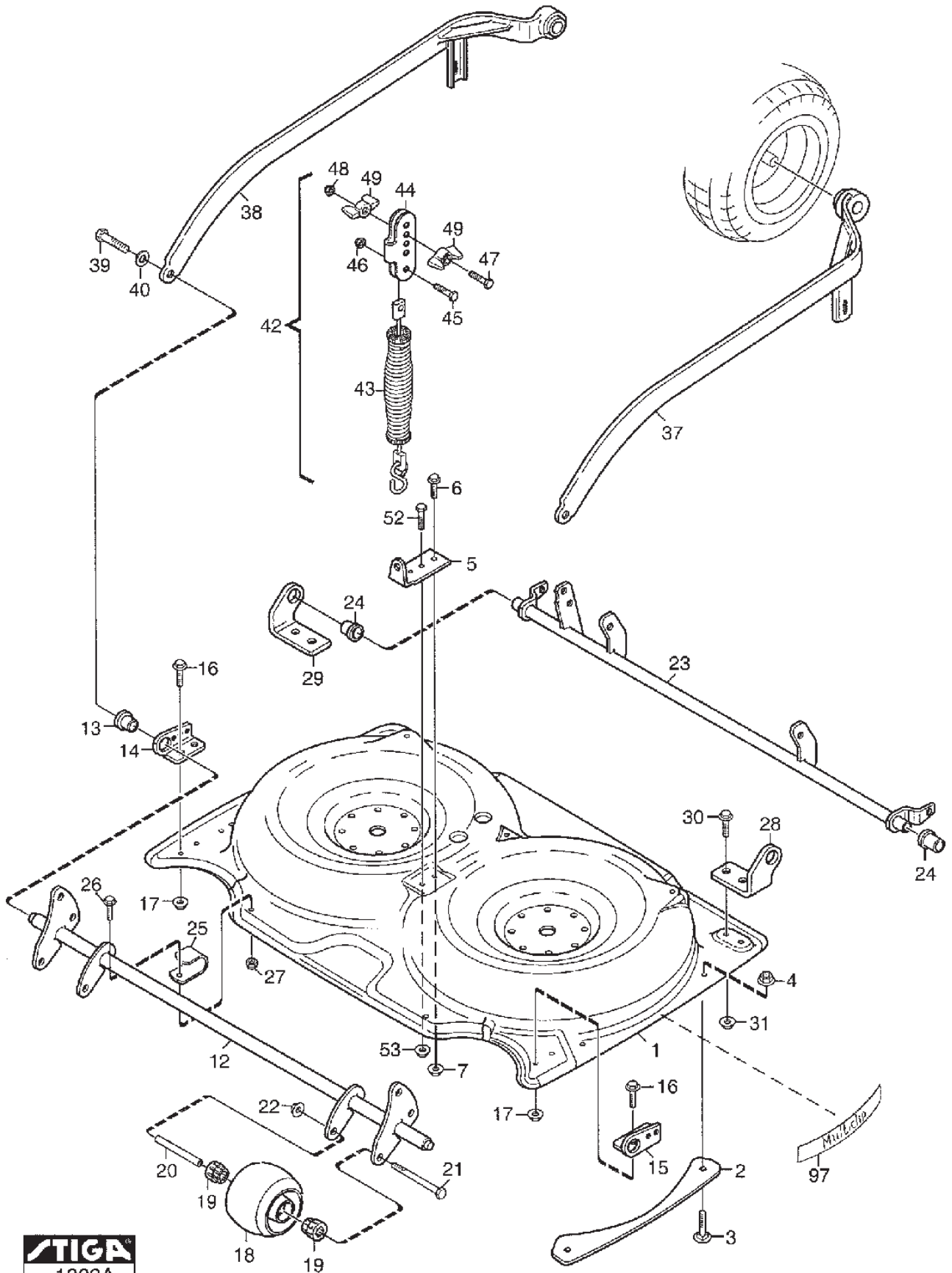
13-2939-27 - Season 2004

- Use GLOBAL GARDEN PRODUCT Genuine Spare Parts specified in the parts list for repair and/or replacement.
 - The contents described in the parts list may change due to improvement.
 - The drawings of the spare parts are only indicative and might not represent the part in question exactly.
 - The indications "right" - "left" - "front" - "rear" refer to the position of the operator when using the machine.
- When placing orders of parts for repair and/or replacement, make sure that the illustrated parts list is the one applying to the machine's year of manufacture, as shown on the identification plate attached to the machine.

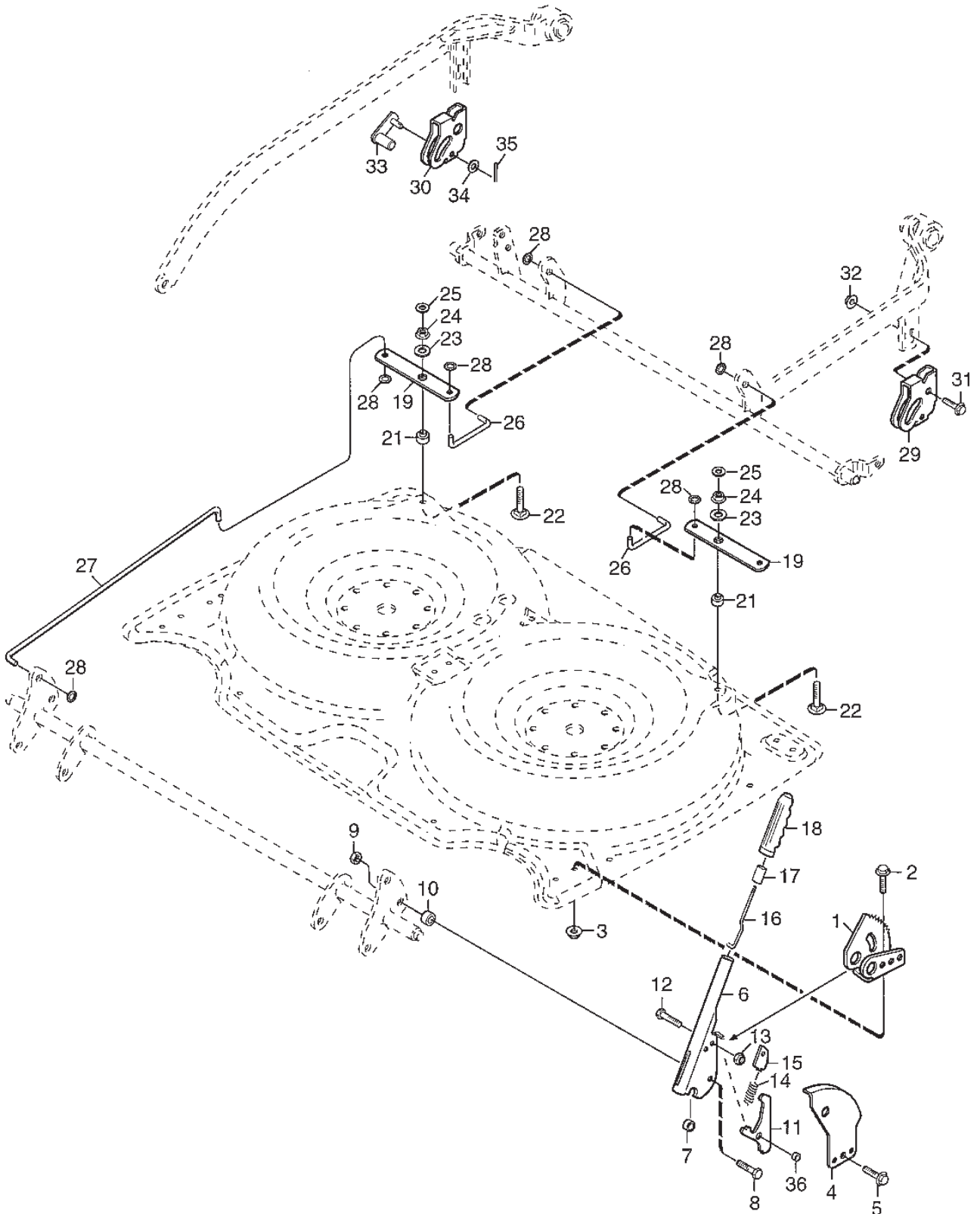
© Copyright 2004 Global Garden Products

All rights reserved. No part of this material may be reproduced or transmitted, in any form or by any means, electronic or mechanical, including photocopying, recording or by any information storage and retrieval system, without permission in writing from GLOBAL GARDEN PRODUCTS.

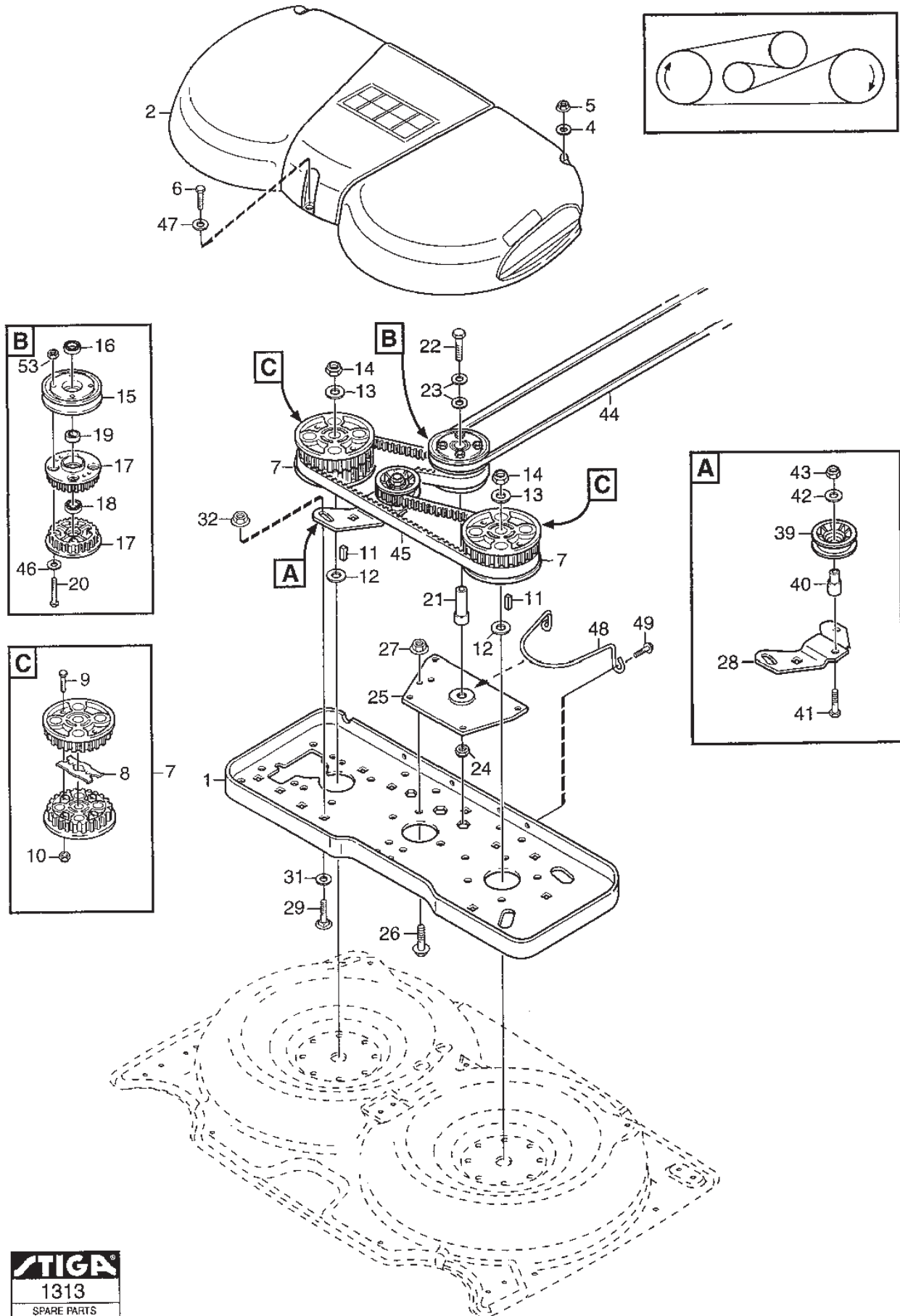
www.stiga.com



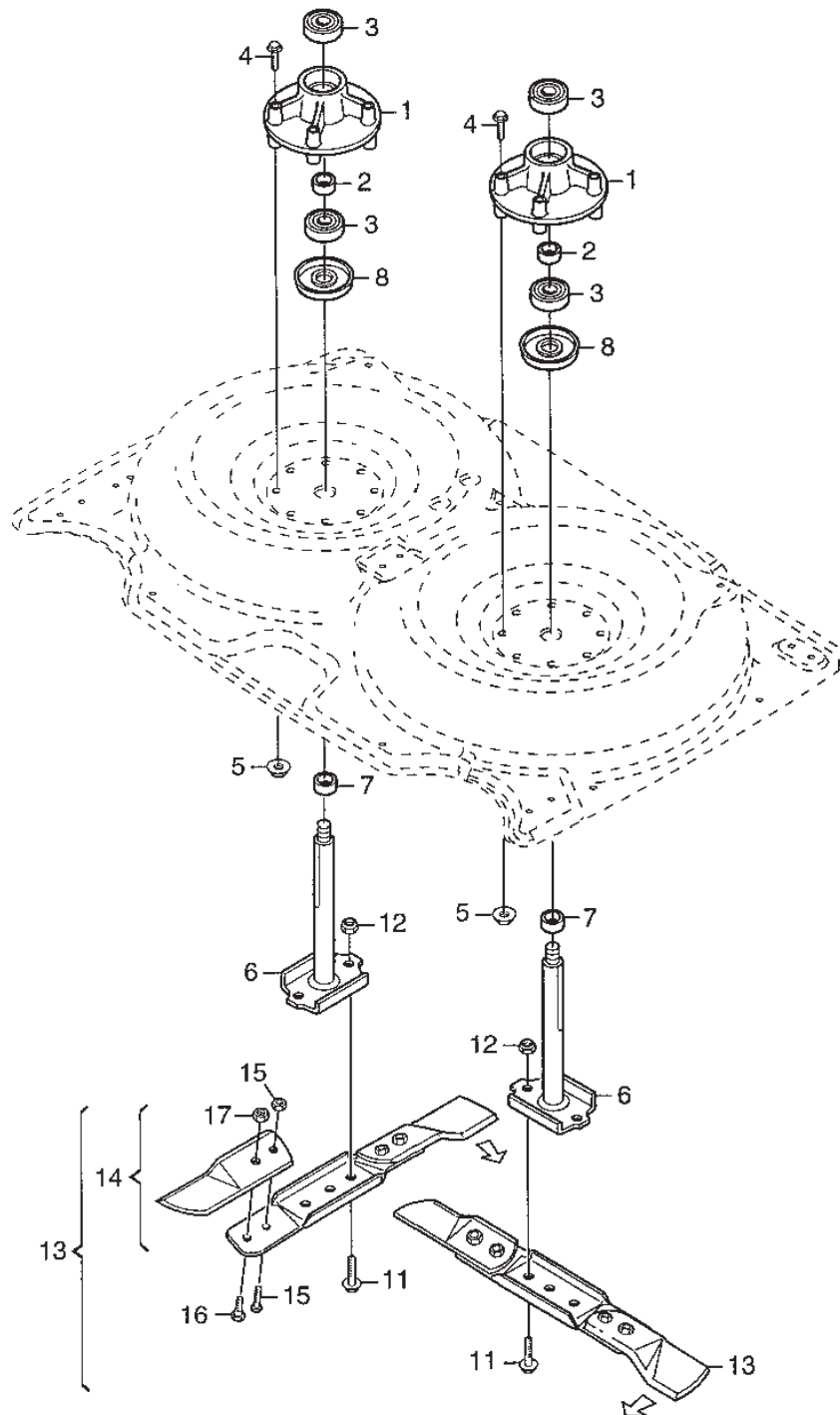
Utgåva Issue 20 - 2015		Mower Deck 92M Frame			
Pos. Fig.	Antal Q.ty	Art nr Part No	Benämning	Description	Anmärkning Notes
1	1	1134-4888-01	Klippdäck	Cutting Deck	
2	2	1134-4323-01	Ledplåt	Guide Plate	
3	4	9897-0616-16	Skruv	Screw	
4	4	9739-0631-22	Mutter	Nut	
5	1	1134-4320-06	Lyftfäste	Lift Bracket (Black)	
6	1	9959-0820-16	Skruv	Screw	
7	1	9739-0831-22	Mutter	Nut	
12	1	1134-4890-01	Framaxel Kpl 1-00 L04A	Front Axle	
13	1	1134-9024-01	Lager (4 St)	Bearing	Sats 4 st/kit of 4
14	1	1134-4292-01	Lagerfäste V 5-01F24	Bearing Holder-Lh	
15	1	1134-4292-02	Lagerfäste H 5-01 F 24	Bearing Support	
16	2	9959-0816-16	Skruv	Screw	
17	2	9739-0831-22	Mutter	Nut	
18	2	1134-4284-01	Hjul	Wheel	
19	4	1134-4319-01	Lager	Bearing	
20	2	1134-4318-01	Hjulaxel	Wheel Axle	
21	2	9997-0812-02	Skruv	Screw	
22	2	9739-0831-22	Mutter	Nut	
23	1	1134-4876-01	Bakaxel Kpl 1-00	Rear Axle	
23	1	1134-5892-01	Bakaxel Kpl-Gul	Rear Axle, Yellow	
24	1	1134-9024-01	Lager (4 St)	Bearing	Sats 4 st/kit of 4
25	2	1134-4689-01	Stöd	Support	
26	2	9959-0616-16	Skruv	Screw	
27	2	9747-0631-02	Mutter	Nut	
28	1	1134-5180-01	Fäste-Vä (5-01 F24)	Bracket-Lh	
29	1	1134-5180-02	Fäste-Hö (5-01 F24)	Bracket-Rh	
30	4	9959-0816-16	Skruv	Screw	
31	4	9739-0831-22	Mutter	Nut	
37	1	1134-4902-01	Aggregatsarm Kpl-Vä	Mower Deck Arm, Left	
37	1	1134-5600-01	Aggregatsarm Kpl-Vä Gul	Yellow Mower Deck Arm, Left	
38	1	1134-4902-02	Aggregatsarm Kpl-Hö	Mower Deck Arm, Right	
38	1	1134-5600-02	Aggregatsarm Kpl-Hö Gul	Yellow Mower Deck Arm, Right	
39	2	9997-1016-16	Skruv	Screw	
40	2	9699-0030-02	Bricka	Washer	
42	1	1134-4688-02	Tillbehörspåse	Accessory Bag	Inkl. pos 43 - 49
43	1	1134-4574-01	Fjäder	Spring	
44	1	1134-4577-01	Fjäder	Spring	
45	1	9997-0825-16	Skruv	Screw	
46	1	9747-0831-02	Mutter	Nut	
47	1	9997-0835-12	Skruv	Screw	
48	1	9747-0831-02	Mutter	Nut	
49	2	1134-4481-01	Vingmutter	Wing Nut	
52	1	9997-0620-16	Skruv	Screw	
53	1	9739-0631-22	Mutter	Nut	
97	2	9402-3523-01	Dekal	Label	



Utgåva Issue 20 - 2015		Reglage Mower Deck 92M Controls			
Pos. Fig.	Antal Q.ty	Art nr Part No	Benämning	Description	Anmärkning Notes
19	2	1134-4296-02	Länkarm	Pivot Arm	
21	2	1134-4298-02	Distans	Spacer	
22	2	9897-0850-12	Skruv	Screw	
23	2	9699-0028-02	Bricka	Washer	
24	2	9747-0831-02	Mutter	Nut	
25	2	9699-0056-02	Bricka	Washer	
26	2	1134-4894-01	Tryckstang	Push Rod	
26	2	1134-4894-03	Tryckstang	Tie Rod	
27	2	1134-4294-04	Tryckstang	Push Rod	
28	8	9675-0012-02	Starlock	Locking washer	
29	1	1134-4304-01	Justeringsplatta-vä	Adjusting Plate, Left	
30	1	1134-4304-02	Justeringsplatta-hö	Adjusting Plate, Right	
31	2	9959-0816-16	Skruv	Screw	
32	2	9739-0831-22	Mutter	Nut	
33	2	1134-4307-01	Lashake Kpl	Catch	
34	2	9699-0025-02	Bricka	Washer	
35	2	9599-0054-02	SaxSprint	Split Pin	
36	1	1134-5114-01	Distans	Spacer	
2	2	9959-0816-16	Skruv	Screw	
3	2	9739-0831-22	Mutter	Nut	
4	1	1134-4291-02	Höjdningsplatt	Height Adjusting Plate	
4	1	1134-4291-03	Höjdsjusteringsplatta	Height Adjust Quadrant	
5	1	9945-0816-16	Skruv	Screw	
6	1	1134-5215-01	Höjdinställningsspak	Height Adjustment Lever	Inkl. pos 11 - 18, 36
7	1	1134-2427-01	Distans	Spacer	
8	1	9997-0840-16	Skruv	Screw	
9	1	9747-0831-02	Mutter	Nut	
10	1	1134-3113-03	Distans	Spacer	
11	1	1134-3010-02	Lassegment	Locking Quadrant	
12	1	9997-0620-16	Skruv	Screw	
13	1	9747-0631-02	Mutter	Nut	
14	1	1134-3262-01	Fjäder	Spring	
15	1	1134-3009-01	Laskil	Locking Key	
16	1	1134-3041-01	Reglagestang	Control Rod	
17	1	1134-3051-01	Lasratt	Locking Knob	
18	1	9406-0006-00	Handtag 01.100.026 Faca	Handle	



Utgåva Issue 20 - 2015		Transmission		Transmission	
Pos. Fig.	Antal Q.ty	Art nr Part No	Benämning	Description	Anmärkning Notes
1	1	1134-4875-01	Transmissionsplatta	Transmission Plate	
1	1	1134-5229-01	Transmissionsplatta	Transmission Plate	
2	1	1134-4887-01	Transmissionskapa (92M)	Transmission Cover (92M)	
4	2	9699-0028-02	Bricka	Washer	
5	2	9747-0831-02	Mutter	Nut	
6	1	9942-0612-16	Skruv	Screw	
7	2	1134-3679-01	Kuggremskiva	Toothed Belt Pulley	
8	1	1134-3597-01	Medbringare	Reinforcement	
9	2	9997-0625-16	Skruv	Screw	
10	2	9747-0631-02	Mutter	Nut	
11	2	1134-0323-01	Plattkil	Key	L = 25 mm
12	2	9699-0104-02	Bricka	Washer	
13	2	9699-0121-02	Bricka	Washer	12.5 x 35 x 3 mm
14	2	9712-1231-02	Lasmutter	Nut	M12
15	1	1134-5020-01	Remskiva	Belt Pulley	Ø = 106.0 mm
15	1	1134-5601-01	Remskiva	Belt Pulley	
16	1	9549-0019-00	Kullager	Ball Bearing	
17	2	1134-4321-01	Kuggremskiva	Toothed Pulley	
18	1	9549-0019-00	Kullager	Ball Bearing	
19	1	1134-3725-01	Distans	Spacer	
20	4	9997-0650-12	Skruv	Screw	
20	4	9997-0660-12	Skruv	Screw	
21	1	1134-4314-01	Tapp	Shaft	
22	1	9997-1065-12	Skruv	Screw	
23	2	9699-0030-02	Bricka	Washer	
24	1	9739-1031-22	Mutter	Nut	
25	1	1134-4667-02	Platta	Plate	
26	4	9959-0816-16	Skruv	Screw	
27	4	9739-0831-22	Mutter	Nut	
28	1	1134-4885-01	Spännarm	Tension Arm	
29	2	9897-0825-16	Skruv	Screw	
31	2	9699-0036-02	Bricka	Washer	
32	2	9739-0831-22	Mutter	Nut	
39	1	1134-4686-01	Spännrulle F2750-0875	Tension Roller	
40	1	1134-4316-03	Tapp	Shaft	
41	1	9997-1040-12	Skruv	Screw	
42	1	9699-0030-02	Bricka	Washer	
43	1	1134-4775-01	Mutter	Nut	
44	1	1134-9075-01	Kilrem	V-Belt	= 9585-0130-01
45	1	9585-0131-01	Kuggrem	Toothed Belt	
46	4	9699-0025-02	Bricka	Washer	
47	1	9699-0060-02	Bricka	Washer	
48	1	1134-4900-01	Remstyrning	Belt Guide	
49	2	9945-0816-16	Skruv	Screw	
53	4	9747-0631-02	Mutter	Nut	



Utgåva Issue 20 - 2015					
Pos. Fig.	Antal Q.ty	Art nr Part No	Benämning	Description	Anmärkning Notes
1	2	1134-5049-01	Lagerbox Kpl	Bearing Box Assy	
2	1	1134-3725-04	Distans	Spacer	
3	2	9549-0020-00	Kullager	Ball Bearing	
4	8	9997-0865-12	Skruv	Screw	
5	8	9739-0831-22	Mutter	Nut	
6	2	1134-5052-04	Knivaxel	Blade Shaft	
7	2	1134-3725-04	Distans	Spacer	
8	2	1134-3768-01	Skyddsbricka	Bearing Cover	
8	2	1134-5130-01	Skyddsbricka	Bearing Cover	
8	2	1134-3768-01	Skyddsbricka	Bearing Cover	
8	2	1134-5130-01	Skyddsbricka	Bearing Cover	
11	4	9997-0820-16	Skruv	Screw	
12	4	9747-0831-02	Mutter	Nut	
13	1	1134-9073-01	Knivbalk Kpl (92M)	Blade Bar Assy (92M)	Sats 2 st/kit of 2
14	2	1134-9074-01	Knivsats Kpl (Cw)	Blade Kit Assy (Cw)	2 knivar/2 blade tips
15	1	1134-9054-01	Brytbultsats	Shear Bolt Kit	6 bultar/6 bolts+nuts
16	2	1134-4479-01	Ansatsbult (M8)	Shoulder Bolt (M8)	
17	2	9712-0831-02	Lasmutter	Nut	

code	pos.	q.ty	page										
1134-0323-01	11	2	p. 7	1134-5892-01	23	1	p. 3	9997-0650-12	20	4	p. 7		
1134-2427-01	7	1	p. 5	1134-9024-01	13	1	p. 3	9997-0660-12	20	4	p. 7		
1134-3009-01	15	1	p. 5	1134-9024-01	24	1	p. 3	9997-0812-02	21	2	p. 3		
1134-3010-02	11	1	p. 5	1134-9054-01	15	1	p. 9	9997-0820-16	11	4	p. 9		
1134-3041-01	16	1	p. 5	1134-9073-01	13	1	p. 9	9997-0825-16	45	1	p. 3		
1134-3051-01	17	1	p. 5	1134-9074-01	14	2	p. 9	9997-0835-12	47	1	p. 3		
1134-3113-03	10	1	p. 5	1134-9075-01	44	1	p. 7	9997-0840-16	8	1	p. 5		
1134-3262-01	14	1	p. 5	9402-3523-01	97	2	p. 3	9997-0865-12	4	8	p. 9		
1134-3597-01	8	1	p. 7	9406-0006-00	18	1	p. 5	9997-1016-16	39	2	p. 3		
1134-3679-01	7	2	p. 7	9549-0019-00	16	1	p. 7	9997-1040-12	41	1	p. 7		
1134-3725-01	19	1	p. 7	9549-0019-00	18	1	p. 7	9997-1065-12	22	1	p. 7		
1134-3725-04	2	1	p. 9	9549-0020-00	3	2	p. 9						
1134-3725-04	7	2	p. 9	9585-0131-01	45	1	p. 7						
1134-3768-01	8	2	p. 9	9599-0054-02	35	2	p. 5						
1134-3768-01	8	2	p. 9	9675-0012-02	28	8	p. 5						
1134-4284-01	18	2	p. 3	9699-0025-02	34	2	p. 5						
1134-4291-02	4	1	p. 5	9699-0025-02	46	4	p. 7						
1134-4291-03	4	1	p. 5	9699-0028-02	4	2	p. 7						
1134-4292-01	14	1	p. 3	9699-0028-02	23	2	p. 5						
1134-4292-02	15	1	p. 3	9699-0030-02	23	2	p. 7						
1134-4294-04	27	2	p. 5	9699-0030-02	40	2	p. 3						
1134-4296-02	19	2	p. 5	9699-0030-02	42	1	p. 7						
1134-4298-02	21	2	p. 5	9699-0036-02	31	2	p. 7						
1134-4304-01	29	1	p. 5	9699-0056-02	25	2	p. 5						
1134-4304-02	30	1	p. 5	9699-0060-02	47	1	p. 7						
1134-4307-01	33	2	p. 5	9699-0104-02	12	2	p. 7						
1134-4314-01	21	1	p. 7	9699-0121-02	13	2	p. 7						
1134-4316-03	40	1	p. 7	9712-0831-02	17	2	p. 9						
1134-4318-01	20	2	p. 3	9712-1231-02	14	2	p. 7						
1134-4319-01	19	4	p. 3	9739-0631-22	4	4	p. 3						
1134-4320-06	5	1	p. 3	9739-0631-22	53	1	p. 3						
1134-4321-01	17	2	p. 7	9739-0831-22	3	2	p. 5						
1134-4323-01	2	2	p. 3	9739-0831-22	5	8	p. 9						
1134-4479-01	16	2	p. 9	9739-0831-22	7	1	p. 3						
1134-4481-01	49	2	p. 3	9739-0831-22	17	2	p. 3						
1134-4574-01	43	1	p. 3	9739-0831-22	22	2	p. 3						
1134-4577-01	44	1	p. 3	9739-0831-22	27	4	p. 7						
1134-4667-02	25	1	p. 7	9739-0831-22	31	4	p. 3						
1134-4686-01	39	1	p. 7	9739-0831-22	32	2	p. 5						
1134-4688-02	42	1	p. 3	9739-0831-22	32	2	p. 7						
1134-4689-01	25	2	p. 3	9739-1031-22	24	1	p. 7						
1134-4775-01	43	1	p. 7	9747-0631-02	10	2	p. 7						
1134-4875-01	1	1	p. 7	9747-0631-02	13	1	p. 5						
1134-4876-01	23	1	p. 3	9747-0631-02	27	2	p. 3						
1134-4885-01	28	1	p. 7	9747-0631-02	53	4	p. 7						
1134-4887-01	2	1	p. 7	9747-0831-02	5	2	p. 7						
1134-4888-01	1	1	p. 3	9747-0831-02	9	1	p. 5						
1134-4890-01	12	1	p. 3	9747-0831-02	12	4	p. 9						
1134-4894-01	26	2	p. 5	9747-0831-02	24	2	p. 5						
1134-4894-03	26	2	p. 5	9747-0831-02	46	1	p. 3						
1134-4900-01	48	1	p. 7	9747-0831-02	48	1	p. 3						
1134-4902-01	37	1	p. 3	9897-0616-16	3	4	p. 3						
1134-4902-02	38	1	p. 3	9897-0825-16	29	2	p. 7						
1134-5020-01	15	1	p. 7	9897-0850-12	22	2	p. 5						
1134-5049-01	1	2	p. 9	9942-0612-16	6	1	p. 7						
1134-5052-04	6	2	p. 9	9945-0816-16	5	1	p. 5						
1134-5114-01	36	1	p. 5	9945-0816-16	49	2	p. 7						
1134-5130-01	8	2	p. 9	9959-0616-16	26	2	p. 3						
1134-5130-01	8	2	p. 9	9959-0816-16	2	2	p. 5						
1134-5180-01	28	1	p. 3	9959-0816-16	16	2	p. 3						
1134-5180-02	29	1	p. 3	9959-0816-16	26	4	p. 7						
1134-5215-01	6	1	p. 5	9959-0816-16	30	4	p. 3						
1134-5229-01	1	1	p. 7	9959-0816-16	31	2	p. 5						
1134-5600-01	37	1	p. 3	9959-0820-16	6	1	p. 3						
1134-5600-02	38	1	p. 3	9997-0620-16	12	1	p. 5						
1134-5601-01	15	1	p. 7	9997-0620-16	52	1	p. 3						
				9997-0625-16	9	2	p. 7						