



Reservdelskatalog Parts Catalogue

PARK POWER

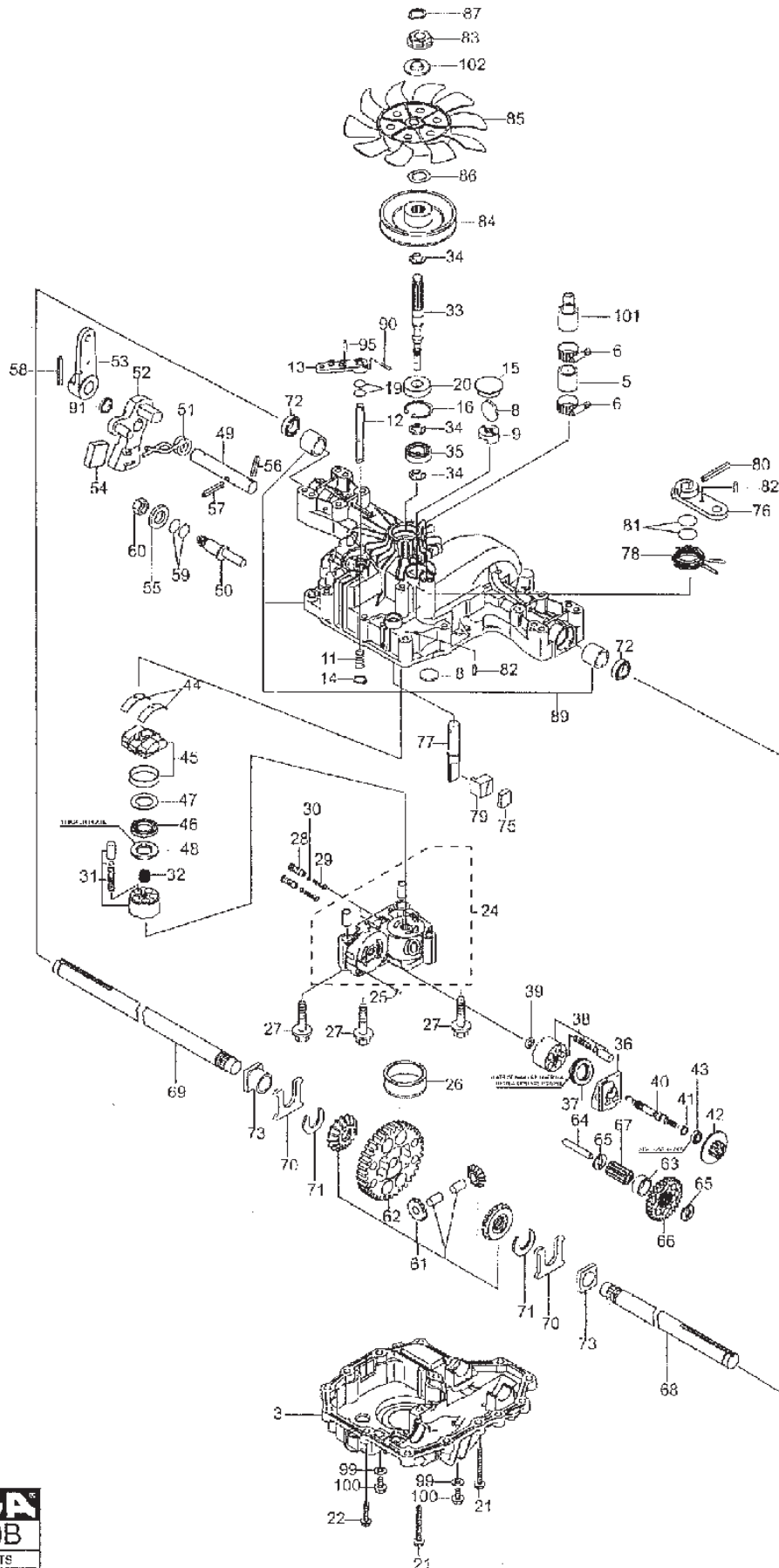
13-6113-95 - Season 2004

- Use GLOBAL GARDEN PRODUCT Genuine Spare Parts specified in the parts list for repair and/or replacement.
 - The contents described in the parts list may change due to improvement.
 - The drawings of the spare parts are only indicative and might not represent the part in question exactly.
 - The indications "right" - "left" - "front" - "rear" refer to the position of the operator when using the machine.
- When placing orders of parts for repair and/or replacement, make sure that the illustrated parts list is the one applying to the machine's year of manufacture, as shown on the identification plate attached to the machine.

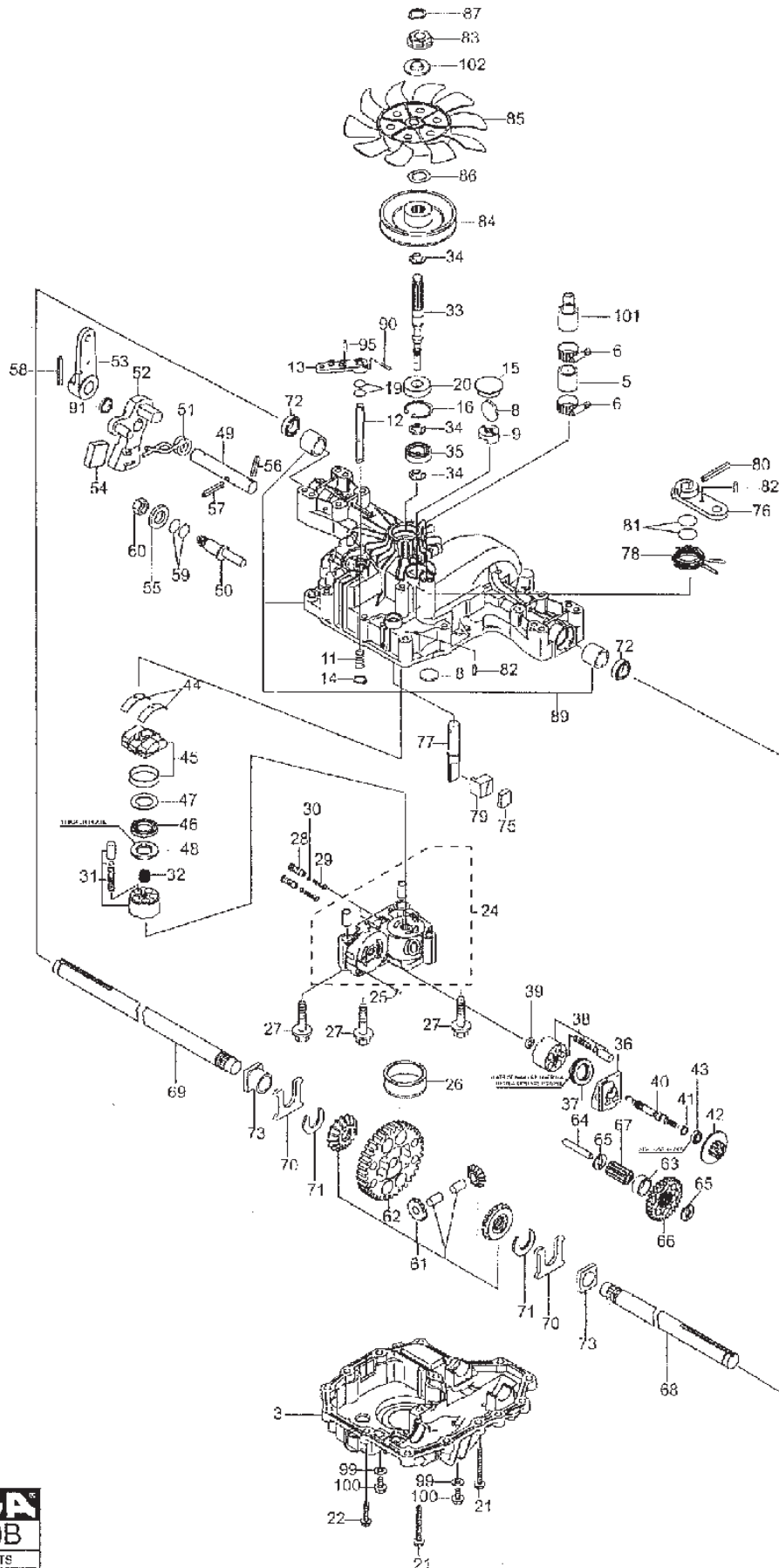
© Copyright 2004 Global Garden Products

All rights reserved. No part of this material may be reproduced or transmitted, in any form or by any means, electronic or mechanical, including photocopying, recording or by any information storage and retrieval system, without permission in writing from GLOBAL GARDEN PRODUCTS.

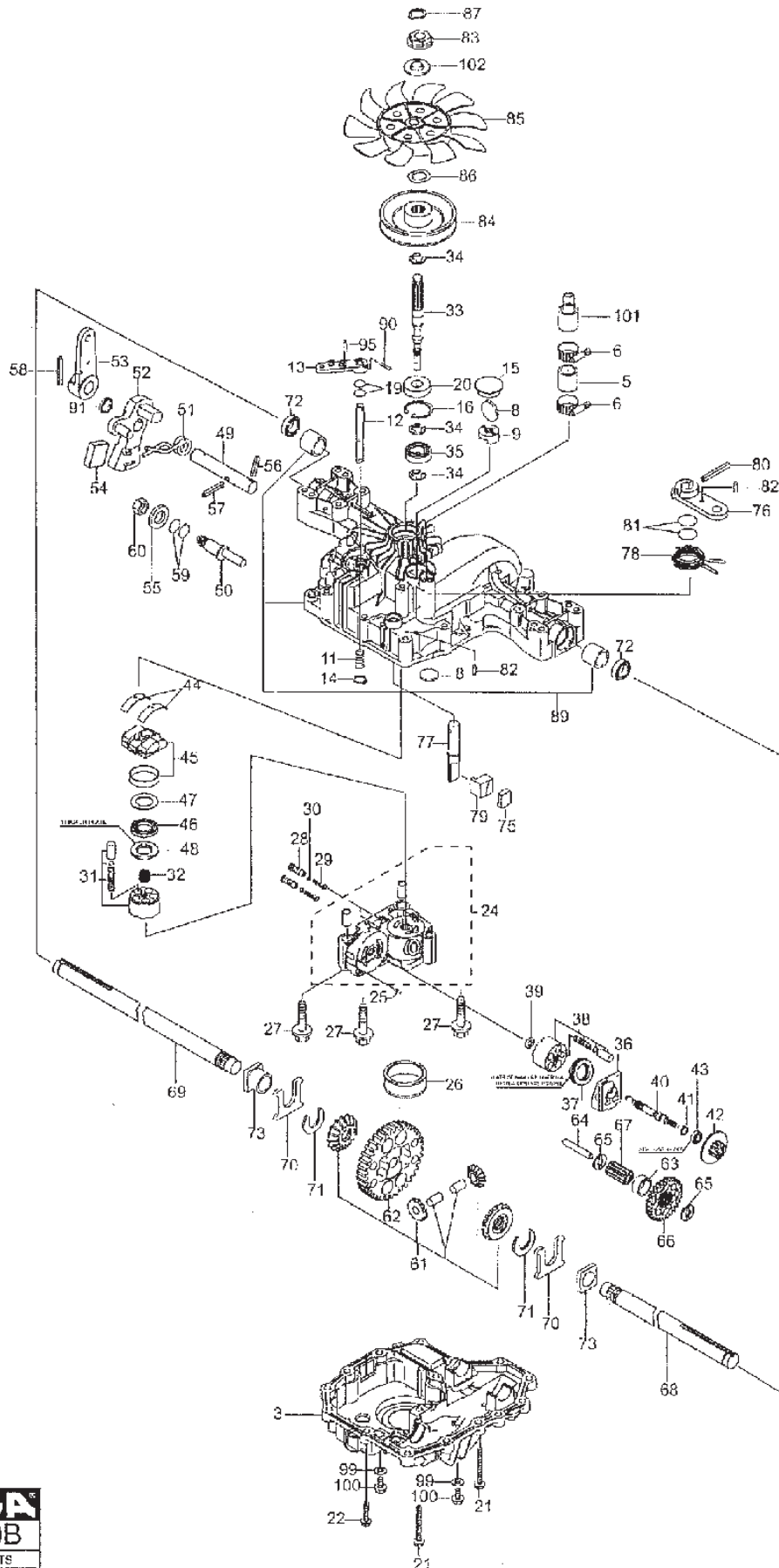
www.stiga.com



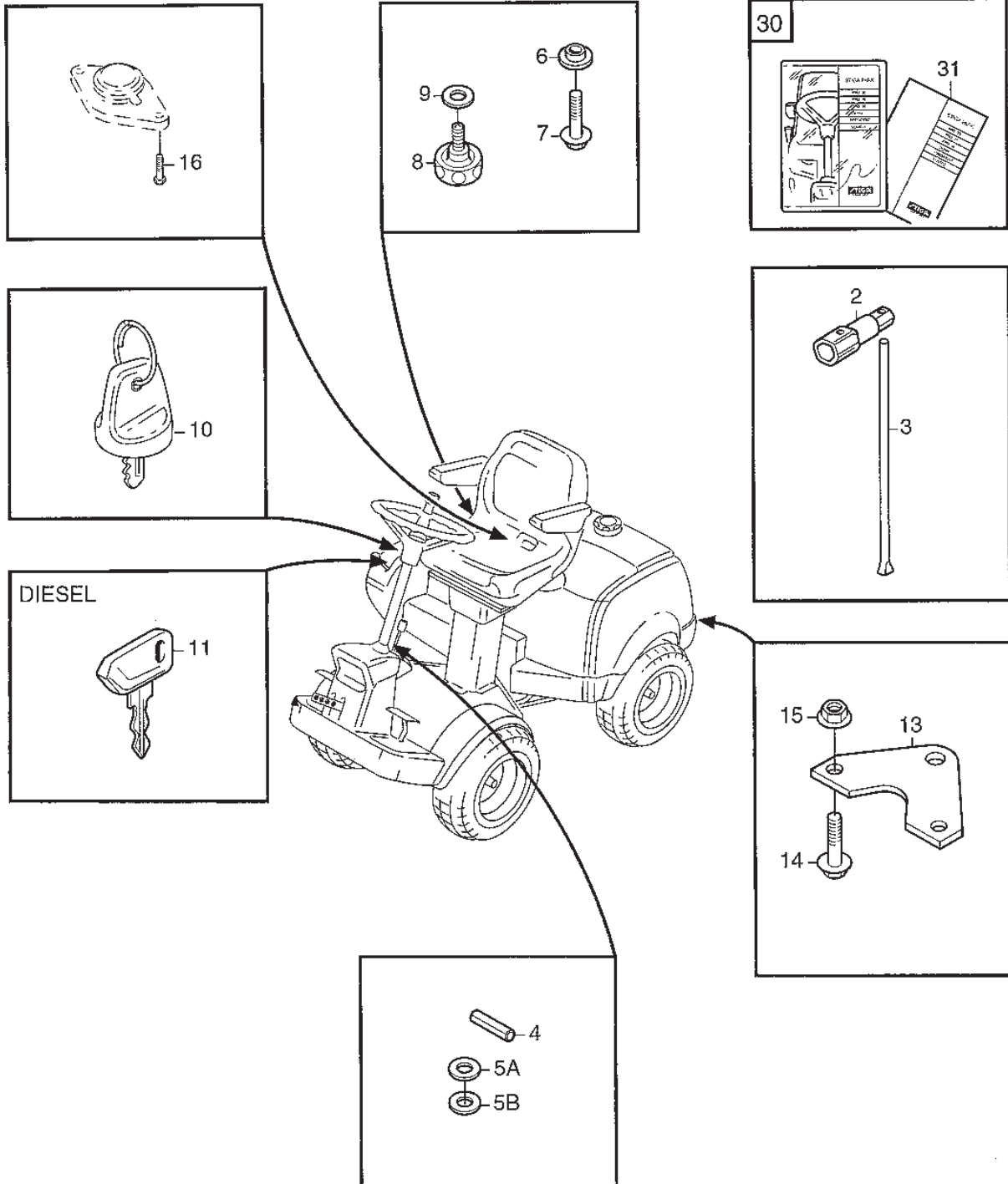
Utgåva Issue 20 - 2015		Kanzaki Transaxel K46G	Kanzaki Transaxle K46G		
Pos. Fig.	Antal Q.ty	Art nr Part No	Benämning	Description	Anmärkning Notes
3	1	1139-1321-01	Nedre Hus	Lower Housing	s/n 012411-/K46G
5	1	1139-1301-01	Rör	Tube	/K46G
6	2	1139-1336-01	Slangklämma	Cobra Clip	/K46G
8	2	1139-1150-01	Magnet	Magnet	/K46G
9	1	1139-1240-01	Magnethallare	Magnet Holder	/K46G
11	1	1139-1028-01	Fjäder	Spring	s/n -015563/K46G
11	1	1139-1347-01	Fjäder	Spring	s/n 015564-/K46G
12	1	1139-1251-01	Axel	By-Pass Shaft	/K46G
13	1	1139-1189-01	Arm	By-Pass Lever	/K46G
14	1	1139-1161-01	Lasring	Ring	/K46G
15	1	1139-1275-01	Plugg	Bore Plug	/K46G
16	1	1139-1104-01	Lasring	Snap Ring	/K46G
19	2	1139-1117-01	O-Ring	O-Ring	/K46G
20	1	1139-1119-01	Tätning	Seal 15*35*7	/K46G
21	2	1139-1295-01	Skruv	Screw	/K46G
22	14	1139-0244-01	Skruv	Screw	/K46G
24	1	1139-1273-01	Centrumhus Kpl	Center Case Cmp	s/n 010804-015418/ K46G
24	1	1139-1340-01	Centrumhus	Center Case	s/n 015419-/K46G
25	1	1139-1158-01	Stift	Pin	/K46G
26	1	1139-1063-01	Filter	Filter	s/n -018458/K46G
26	1	1139-1334-01	Filter	Filter	s/n 018459-/K46G
27	3	1139-1294-01	Bult	Bolt	/K46G
28	2	1139-1339-01	Ventil	Valve Ids	/K46G
29	2	1139-1243-01	Fjäder	Spring	/K46G
30	2	1139-1307-01	Filter	Filter	/K46G
31	1	1139-1159-01	Cylinderblock Kpl	Cylinder Block Cmp	s/n -015563/K46G
31	1	1139-1356-01	Cylinderblock Kpl	Cylinder Block Kit	s/n 015564-/K46G
32	1	1139-1245-01	Fjäder	Pump Spring	/K46G
33	1	1139-1246-01	Pumpaxel	Pump Shaft	/K46G
34	3	1139-1146-01	Lasring	Ring	/K46G
35	1	1139-1110-01	Kullager	Ball Bearing	/K46G
36	1	1139-1157-01	Hus	Housing	/K46G
37	1	1139-1054-01	Lager	Bearing	/K46G
38	1	1139-1139-01	Cylinderblock Kpl	Cylinder Block Assy	/K46G
39	1	1139-1160-01	Bricka	Washer	/K46G
40	1	1139-1247-01	Motoraxel	Motor Shaft	s/n 010804-015563/ K46G
40	1	1139-1353-01	Motoraxel	Motor Shaft	s/n 015564-/K46G
41	1	1139-1021-01	Lasring	Snap Ring	/K46G
42	1	1139-1272-01	Motordrev	Motor Gear	/K46G
43	1	1139-1286-01	Kullager	Ball Bearing	/K46G
44	2	1139-1296-01	Tryckplatta	Use 1139-1141-01	/K46G
45	1	1139-1067-01	Stänklatta Kpl	Swash Plate Assy	s/n -022544/K46G
45	1	1139-1359-01	Stänklatta	Swash Plate	s/n 022545-/K46G
46	1	1139-1068-01	Lager	Bearing	s/n -022544/K46G
46	1	1139-1362-01	Lager	Bearing	s/n 022545-/K46G
47	1	1139-1070-01	Tryckplatta	Thrust Plate	s/n -022544/K46G
48	1	1139-1069-01	Tryckplatta	Thrust Plate	s/n -022544/K46G



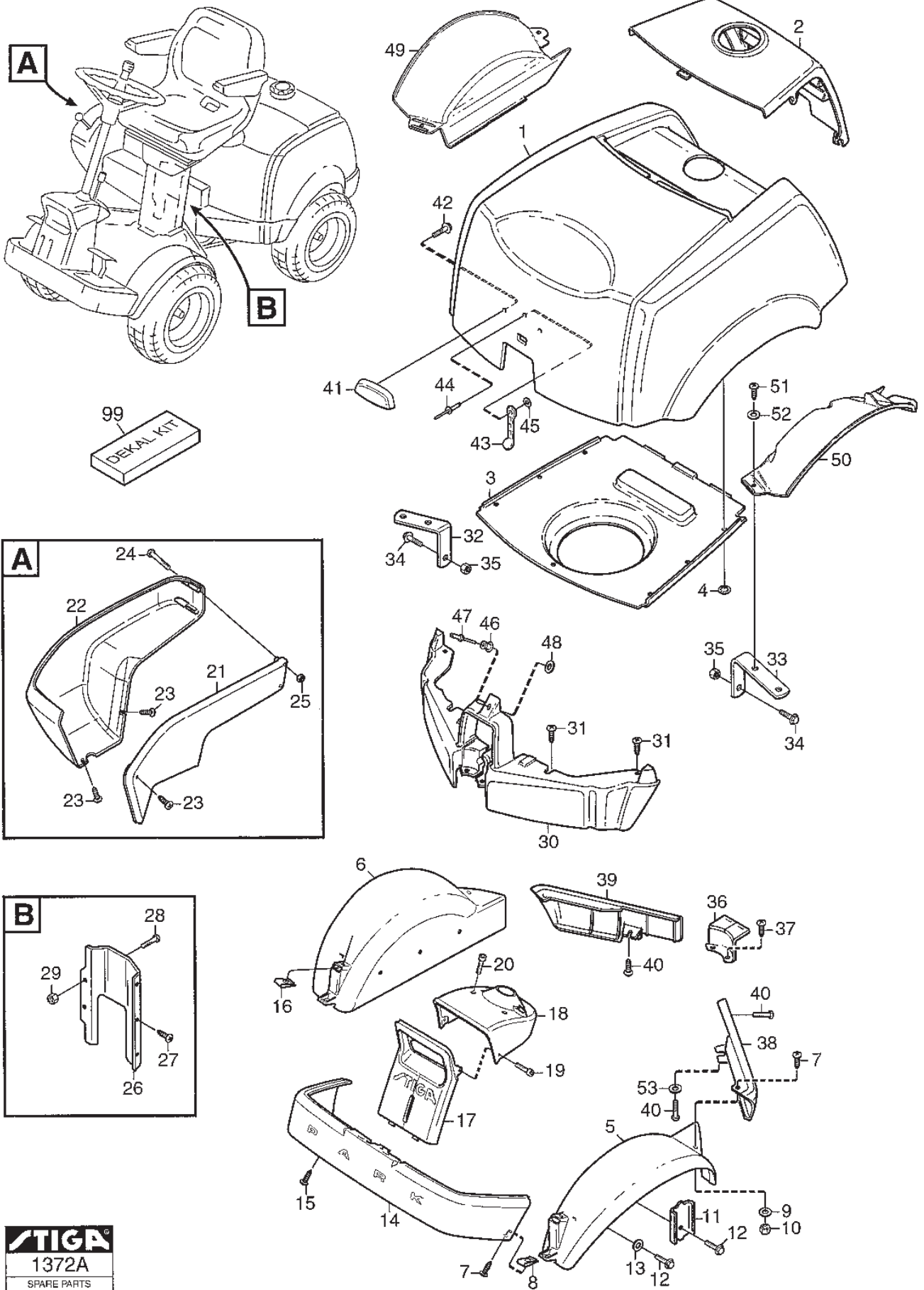
Utgåva Issue 20 - 2015		Kanzaki Transaxel K46G	Kanzaki Transaxle K46G		
Pos. Fig.	Antal Q.ty	Art nr Part No	Benämning	Description	Anmärkning Notes
49	1	1139-1315-01	Regleraxel	Control Shaft	s/n 010804-012410/ K46G
49	1	1139-1354-01	Regleraxel	Control Shaft	s/n 012411-/K46G
50	1	1139-1316-01	Vridcentrum	Fulcrum Eccentricity	/K46G
51	1	1139-1312-01	Vridfjäder	Torsion Spring	/K46G
52	1	1139-1314-01	Reglerarm	Control Arm	/K46G
53	1	1139-1325-01	Reglerarm	Control Lever	/K46G
54	1	1139-1250-01	Ryckplatta	Jerky Plate	/K46G
55	1	1139-1102-01	Bricka	Washer	/K46G
56	1	1139-1327-01	Stift	Pin	s/n 010804-012410/ K46G
56	1	1139-1355-01	LasSprint	Cotter Pin	s/n 012411-/K46G
57	1	1139-1329-01	Stift	Pin	/K46G
58	1	1139-1285-01	Stift	Pin	/K46G
59	2	1139-1115-01	O-Ring	O-Ring	/K46G
60	1	1139-1127-01	Mutter	Nut	/K46G
61	1	1139-1162-01	Differentialdrev Kpl	Diff.Gear Kit	s/n -015563/K46G
61	1	1139-1360-01	Differentialdrev Kpl	Diff.Gear Kit	s/n 015564-/K46G
62	1	1139-1258-01	Slutdrev	Final Gear	/K46G
63	1	1139-1255-01	Hylsa	Collar	/K46G
64	1	1139-1256-01	reduktionsaxel	Reduction Shaft	/K46G
65	2	1139-1257-01	Bricka	Washer	/K46G
66	1	1139-1267-01	Reduktionsdrev	Reduction Gear	/K46G
67	1	1139-1259-01	Slutdrev	Final Pinion	s/n -020523/K46G
67	1	1139-1361-01	Slutdrev	Final Pinion Gear	s/n 020524-/K46G
68	1	1139-1269-01	Hjulaxel Vä	Axle Shaft Left	s/n 010804-014194/ K46G
68	1	1139-1344-01	Hjulaxel Vä	Axle Shaft-L	s/n 014195-/K46G
69	1	1139-1270-01	Hjulaxel Hö	Axle Shaft Right	s/n 010804-014194/ K46G
69	1	1139-1345-01	Hjulaxel Hö	Axle Shaft-R	s/n 014195-/K46G
70	2	1139-1078-01	Bricka	Thrust Washer	/K46G
71	2	1139-1163-01	Lasring	Ring	/K46G
72	2	1139-1080-01	Tätning	Seal 19*32*8	/K46G
73	2	1139-1164-01	Bussning	Bushing	/K46G
75	1	1139-1260-01	Bromssko	Brake Shoe	/K46G
76	1	1139-1261-01	Bromsarm	Brake Arm	/K46G
77	1	1139-1320-01	Bromsaxel	Brake Shaft	/K46G
78	1	1139-1263-01	Returfjäder	Return Spring	/K46G
79	1	1139-1264-01	Tryckplatta	Brake Actuator	/K46G
80	1	1139-1282-01	Stift	Pin	/K46G
81	2	1139-1114-01	O-Ring	O-Ring	/K46G
82	2	1139-1281-01	Stift	Pin	/K46G
83	1	1139-1248-01	Krage	Spline Collar	/K46G
84	1	1139-1249-01	Remskiva	Pulley	/K46G
85	1	1134-4190-01	Fläkt	Fan	/K46G
86	1	1139-1266-01	Bricka	Washer	/K46G
87	1	1139-1149-01	Lasring	Snap Ring	/K46G
89	1	1139-1302-01	Övre Hus Kpl	Upper Housing Cmp	s/n -018458/K46G
89	1	1139-1358-01	Övre Hus Kpl	Upper Case Kit	s/n 018459-/K46G



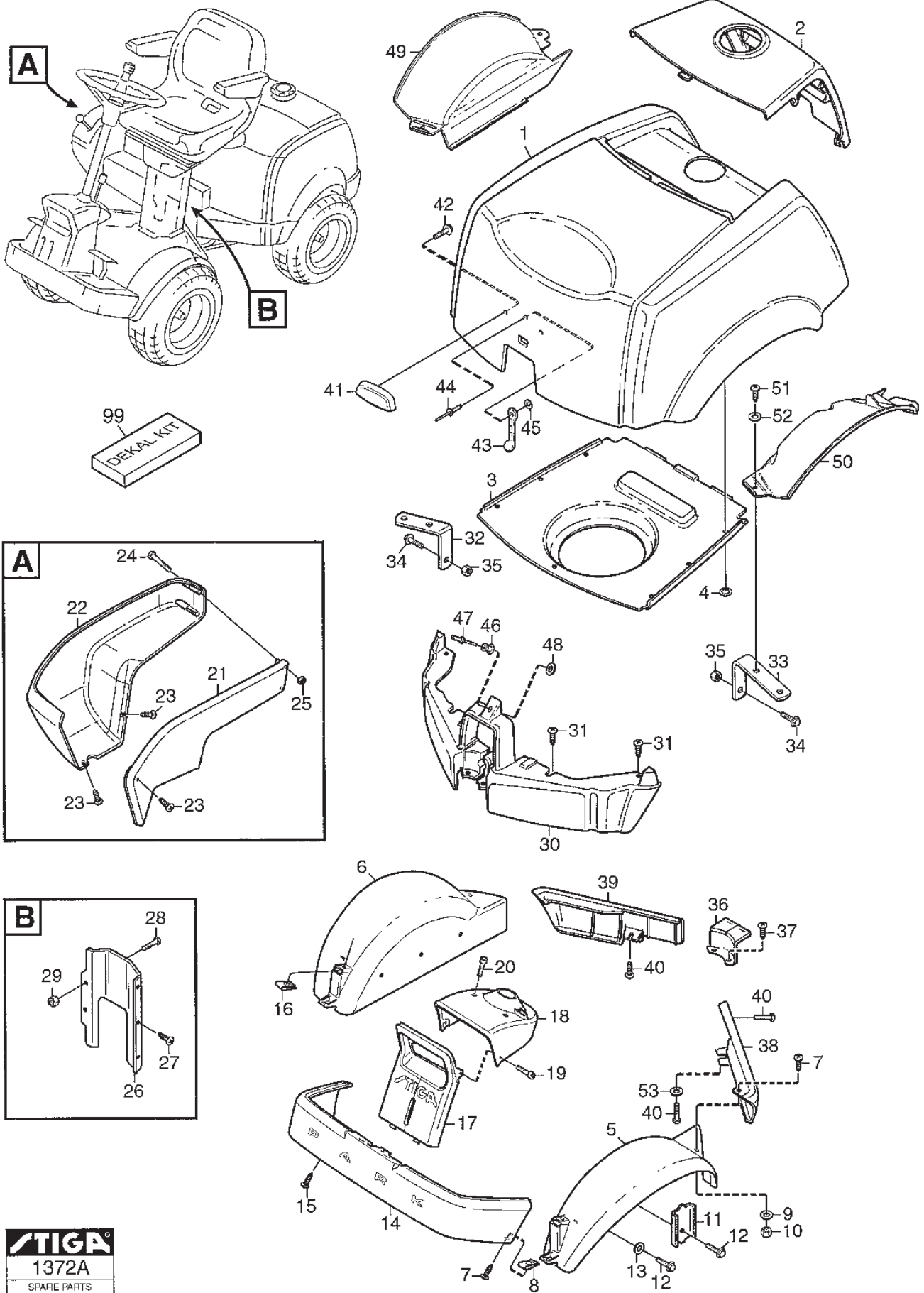
Utgåva Issue 20 - 2015		Kanzaki Transaxel K46G		Kanzaki Transaxle K46G	
Pos. Fig.	Antal Q.ty	Art nr Part No	Benämning	Description	Anmärkning Notes
90	1	1139-1280-01	Stift	Pin	/K46G
91	1	1139-1303-01	Tätningring	Seal Ring	/K46G
95	1	1139-1279-01	Stift	Pin	/K46G
99	2	1139-1103-01	Bricka	Washer	/K46G
100	2	1139-1123-01	Bult	Bolt	/K46G
101	1	1139-1306-01	Adapter	Adaptor	/K46G
102	1	1139-1276-01	Bricka	Collar	/K46G



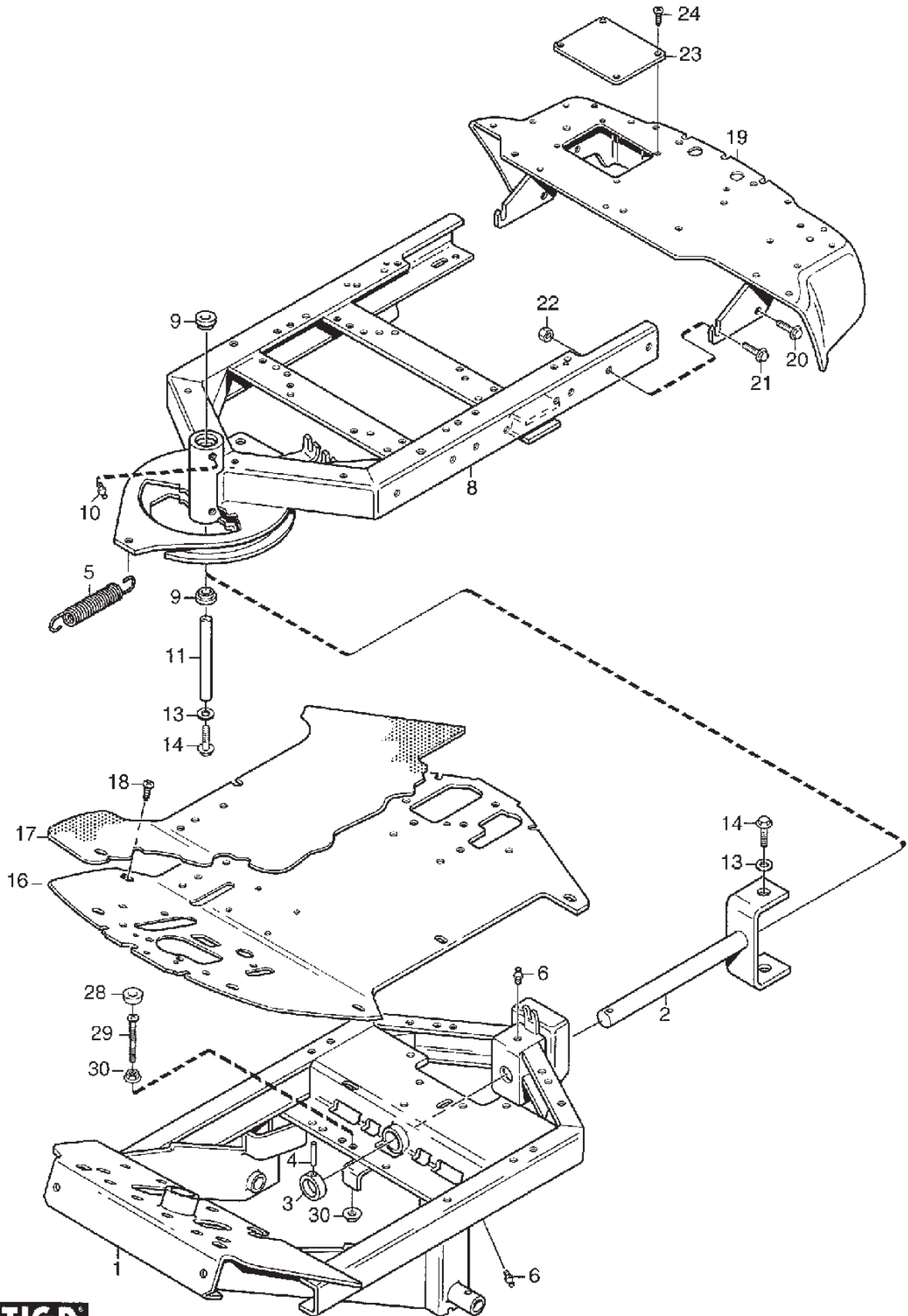
Utgåva Issue 20 - 2015		Monteringsdetaljer Assembly parts			
Pos. Fig.	Antal Q.ty	Art nr Part No	Benämning	Description	Anmärkning Notes
0	1	1134-4249-01	Tillbehörspåse	Accessory Bag	
2	1	1134-4541-01	Nyckel för tändningsglas	Spark Plug Wrench	5/8" (16 mm)/21 mm
3	1	1111-2113-01	Stang	Rod	
4	1	9595-0262-00	Spännstift	Locating Pin	
5	1	9699-0103-02	Bricka	Washer	0.5 mm
5	1	9699-0114-02	Bricka	Washer	1.0 mm
6	2	1134-4185-01	Ansatsbricka	Flange Washer	
7	2	9959-0820-16	Skruv	Screw	
8	2	1134-2609-01	Lasratt	Locking Knob	
9	2	9699-0062-02	Bricka	Washer	
10	2	1134-4734-01	Tändningsnyckel	Ignition Key	
13	1	1134-4003-01	Dragplatta 24	Towing Plate	
14	2	9959-0820-16	Skruv	Screw	
15	2	9739-0831-22	Mutter	Nut	
16	2	9837-8914-12	Skruv	Screw	6112, 6113, 6143
30	1	1134-3771-57	Förp Instr.Bok (Park)	Folder W Manuals (Park)	
30	1	1134-3771-68	Fp Instr.Bok (Park Bensin)	Folder W Manuals (Park Gasoline)	
31	1	8211-0209-10	Säkerhetsföreskrift Rider	Safety Regulations Ride-Ons	
31	1	8211-0209-11	Säkerh. Föreskrifter Front Mowers	Safety Regulations Front Mowers	
31	1	8211-0276-04	Bruksanvisning	Owner's Manual	
31	1	8211-0276-05	Bruksanvisning	Owner's Manual	
31	1	8211-0277-03	Servicehäfte Park	Service Book Park	
31	1	8211-0277-04	Servicebok Park	Service Book Park	
31	1	8211-0278-04	Monteringsanvisning	Assembly Instruction Park	
31	1	8211-0278-05	Monteringsanvisning	Assy Instruction Park	
31	1	8211-0321-04	Eg-Deklaration Park	Eu-Declaration Park	
31	1	8211-0321-05	Eg-Försäkran Park	Certificate Park	
31	1	8211-2002-03	Garantikort Rider	Warranty Card	



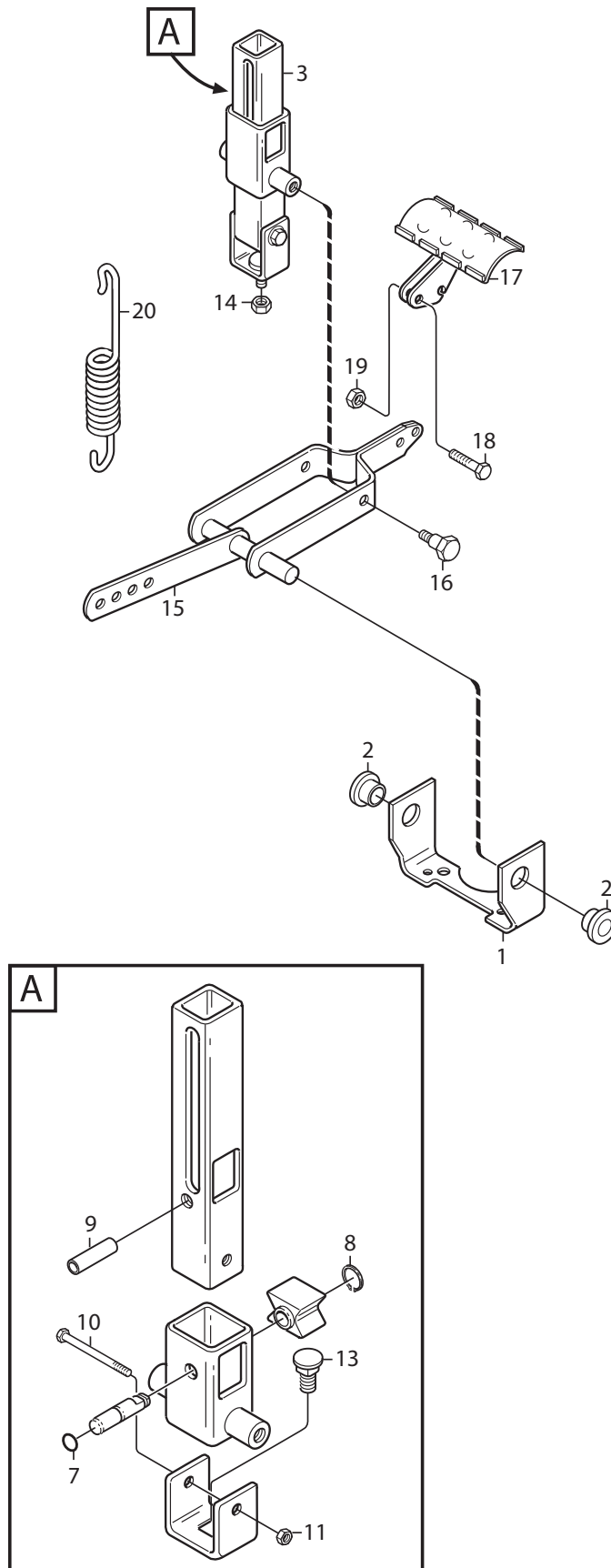
Utgåva Issue 20 - 2015		Chassi	Chassis		
Pos. Fig.	Antal Q.ty	Art nr Part No	Benämning	Description	Anmärkning Notes
1	1	1134-4797-01	Motorhuv	Engine Hood	
2	1	1134-3971-02	Motorlucka 5-00	Engine Cover-Black	
3	1	1134-3978-01	Luftkanalplatta	Air Duct Plate	
3	1	1134-3978-02	Luftkanalplatta	Air Duct Plate	
4	7	9675-0008-02	Starlockbricka	Starlock	
5	1	1134-3943-01	Skärm Vänster	Mud Guard-Left	
6	1	1134-3943-02	Skärm Höger	Mud Guard-Right	
7	4	9893-0616-16	Skruv	Screw	
8	2	1134-4176-01	Clips	Clips	
9	2	9699-0025-02	Bricka	Washer	
10	2	9747-0631-02	Mutter	Nut	
11	2	1134-0225-00	Stödplat	Support Plate	
12	6	9945-0816-16	Skruv	Screw	
13	4	9699-0056-02	Bricka	Washer	
14	1	1134-3944-02	Stötfangare Fram Gul	Front Bumper-Yellow	
15	6	9893-0616-16	Skruv	Screw	
16	2	1134-4176-01	Clips	Clips	
17	1	1134-4216-03	Frontdekor M Tryck	Front Plate-Black (W/O Hole)	
18	1	1134-3984-02	Frontdekor Överdel Svart	Upper Front Plate-Black	
19	2	9840-8009-16	Skruv	Screw	
20	2	9946-0525-16	Skruv	Screw	
21	1	1134-4360-01	Kapa-Inre (1-00)	Cover-Inner	
22	1	1134-3979-01	Kapa Yttre1-00	Cover-Outer	
23	5	9946-0525-16	Skruv	Screw	
24	2	9950-0570-12	Skruv	Screw	
25	2	9747-0531-02	Mutter	Nut	
26	1	1134-4152-01	Skyddskapa 1-00 F12	Cover	
27	3	9893-0616-16	Skruv	Screw	
28	2	9893-0616-16	Skruv	Screw	
29	2	9739-0631-22	Mutter	Nut	
30	1	1134-4798-02	Spoiler Svart	Spoiler-Black	
31	4	9893-0616-16	Skruv	Screw	
32	1	1134-4012-03	Stöd-Hö	Support, Right	
33	1	1134-4012-04	Stöd-Vä	Support, Left	
34	2	9959-0816-16	Skruv	Screw	L = 16 mm
35	2	9739-0831-22	Mutter	Nut	
36	1	1134-3985-01	Täcklock	Cover	
37	2	9893-0616-16	Skruv	Screw	
38	1	1134-3970-06	Kantlist-vä, svart	Moulding-Left (Black)	
39	1	1134-3970-04	Kantlist-hö, svart	Moulding Right-Black	
40	3	9893-0616-16	Skruv	Screw	
41	1	1134-4799-02	Handtag (Svart) 5-01	Handle (Black)	
42	2	9838-9516-12	Skruv	Screw	
43	1	1134-9028-01	Gummistropp (3 St)	Rubber Strap (3 Pcs)	Sats 3 st/kit of 3
44	1	9632-0516-00	Popnit Tap/D/Bs 416 Gf9.5	Pop Rivet	
45	1	9699-0120-02	Bricka	Washer	
46	1	9405-0029-00	Knopp	Knob	
47	1	9632-0513-00	Popnit1-0420 Bs [Tap/D Bs] 3,2X20	Pop Rivet	
48	1	9699-0120-02	Bricka	Washer	



Utgåva Issue 20 - 2015		Chassi Chassis			
Pos. Fig.	Antal Q.ty	Art nr Part No	Benämning	Description	Anmärkning Notes
49	1	1134-4800-01	Innerskärm-Hö (Park)	Inner Mud Guard-Rh (Park)	
50	1	1134-4801-01	Innerskärm-Vä (Park)	Inner Mud Guard-Lh (Park)	
51	4	9893-0616-16	Skruv	Screw	
52	4	9699-0060-02	Bricka	Washer	
53	1	9699-0060-02	Bricka	Washer	
99	1	1134-4593-01	Dekalsats	Label Kit	Senator
99	1	1134-4593-02	Dekalsats	Label Kit	President
99	1	1134-4593-07	Dekalsats	Label Kit	Comfort
99	1	1134-4593-09	Dekalsats	Label Kit	Power

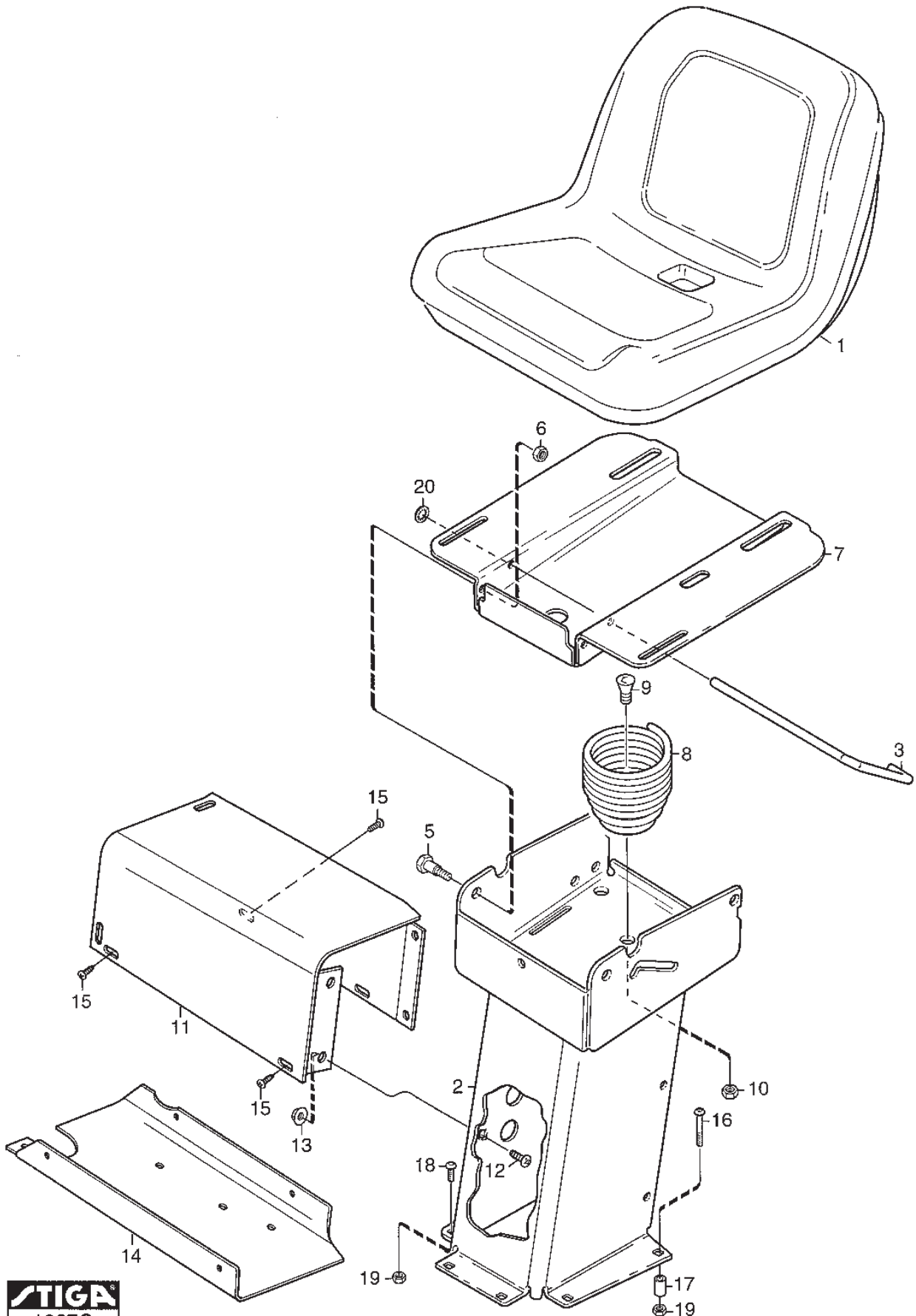


Utgåva Issue 20 - 2015		Ram (Bensin Motorer)		Frame (Petrol Engines)	
Pos. Fig.	Antal Q.ty	Art nr Part No	Benämning	Description	Anmärkning Notes
1	1	1134-5315-01	Frame-Front	Frame-Front	
2	1	1134-3963-02	Midjegaffel Service 5-01 H10	Fork	
3	1	1134-0031-00	Ledaxelstopp	Pivot Shaft Stop	
4	1	9595-0262-00	Spännstift	Locating Pin	
5	1	1134-2171-01	Fjäder	Spring	
6	2	9501-0500-00	Smörjkopp Kort Rak	Grease Dispenser	
8	1	1134-5313-01	Ram-Bakre (5-01)	Frame-Rear (5-01)	
9	2	9547-0001-00	Ledlager Ge17Es	Bearing	
10	2	9501-0500-00	Smörjkopp Kort Rak	Grease Dispenser	
11	1	1134-3968-02	Centrumaxel	Centre Shaft	
13	2	9699-0035-02	Bricka	Washer	
14	2	9959-1020-16	Skruv	Screw	
16	1	1134-5294-01	Durk (5-01)	Floor Plate (5-01)	
17	1	1134-5514-01	Durkmatta Hst Stiga	Floor Mat Hst	
18	2	9893-0616-16	Skruv	Screw	
19	1	1134-4833-02	Stötfangare Svart	Rear Bumper-Black	
20	2	9945-0816-16	Skruv	Screw	
21	2	9959-0820-16	Skruv	Screw	
22	2	9739-0831-22	Mutter	Nut	
23	1	1134-4167-01	Lucka	Cover	
24	4	9840-8009-16	Skruv	Screw	

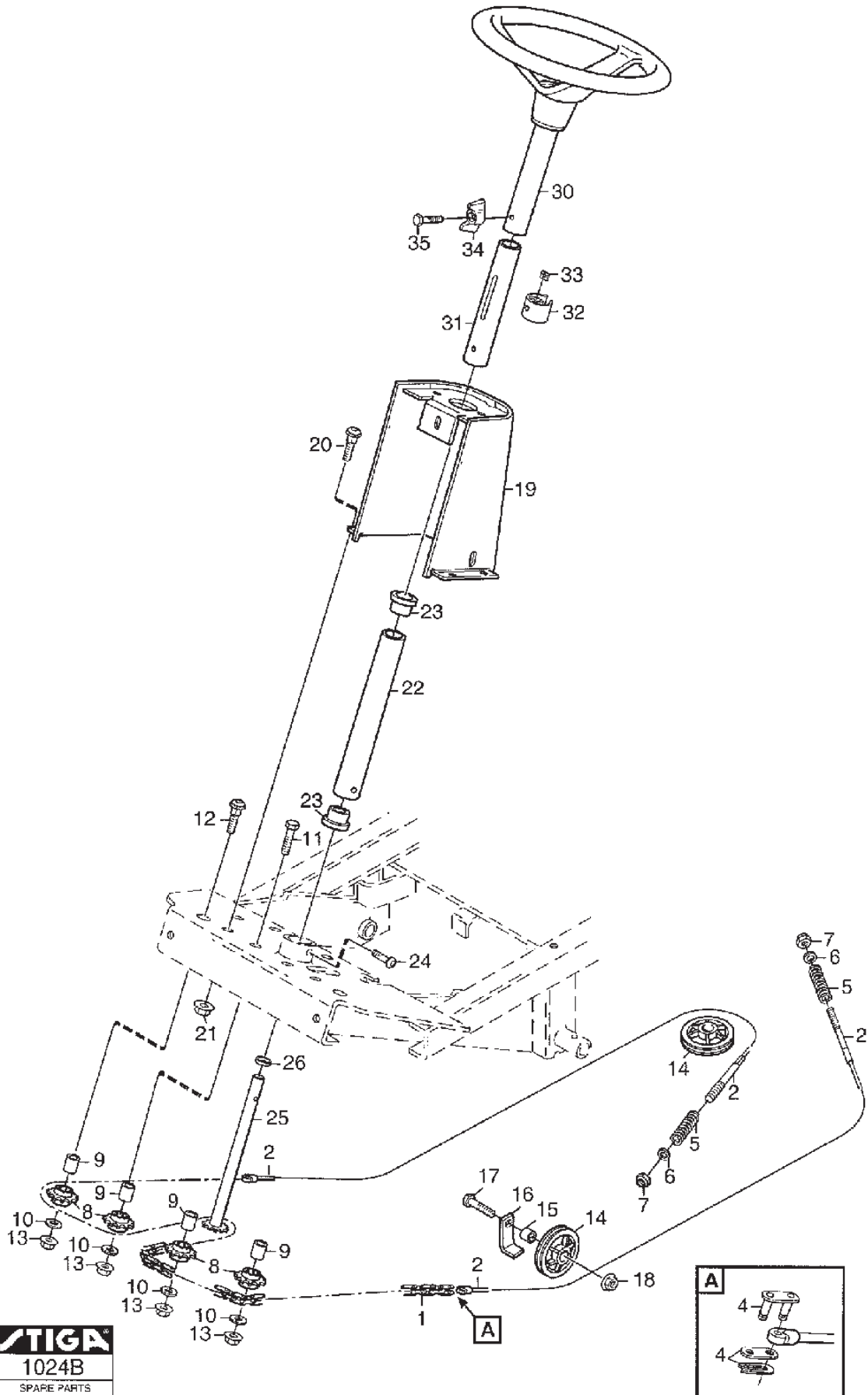


1023D

Utgåva Issue 20 - 2015		Pedallyft Pedal lift			
Pos. Fig.	Antal Q.ty	Art nr Part No	Benämning	Description	Anmärkning Notes
1	1	1134-4117-01	Fäste	Bracket	
2	2	1134-2684-01	Lager	Bearing	
3	1	1134-4945-01	Lyftspärr kpl	Lift Catch Assy	
7	1	9404-0027-01	O-ring	O-ring	
8	1	9650-0039-04	Sparring Sga 8	Lock Ring	
9	1	9595-0276-01	Spiralspännstift 8*24	Locating Pin	
10	1	9997-0640-12	Skruv	Screw	
11	1	9747-0631-02	Mutter	Nut	
13	1	9897-0820-16	Skruv	Screw	
14	1	9747-0831-02	Mutter	Nut	
15	1	1134-4860-01	Lyftgaffel	Lift Fork	
16	2	1134-0240-00	Skruv	Screw	
17	1	1134-4938-01	Lyftpedal	Lift Pedal	
18	2	9997-0625-16	Skruv	Screw	
19	2	9739-0631-22	Mutter	Nut	
20	1	4231-0013-00	Fjäder	Spring	

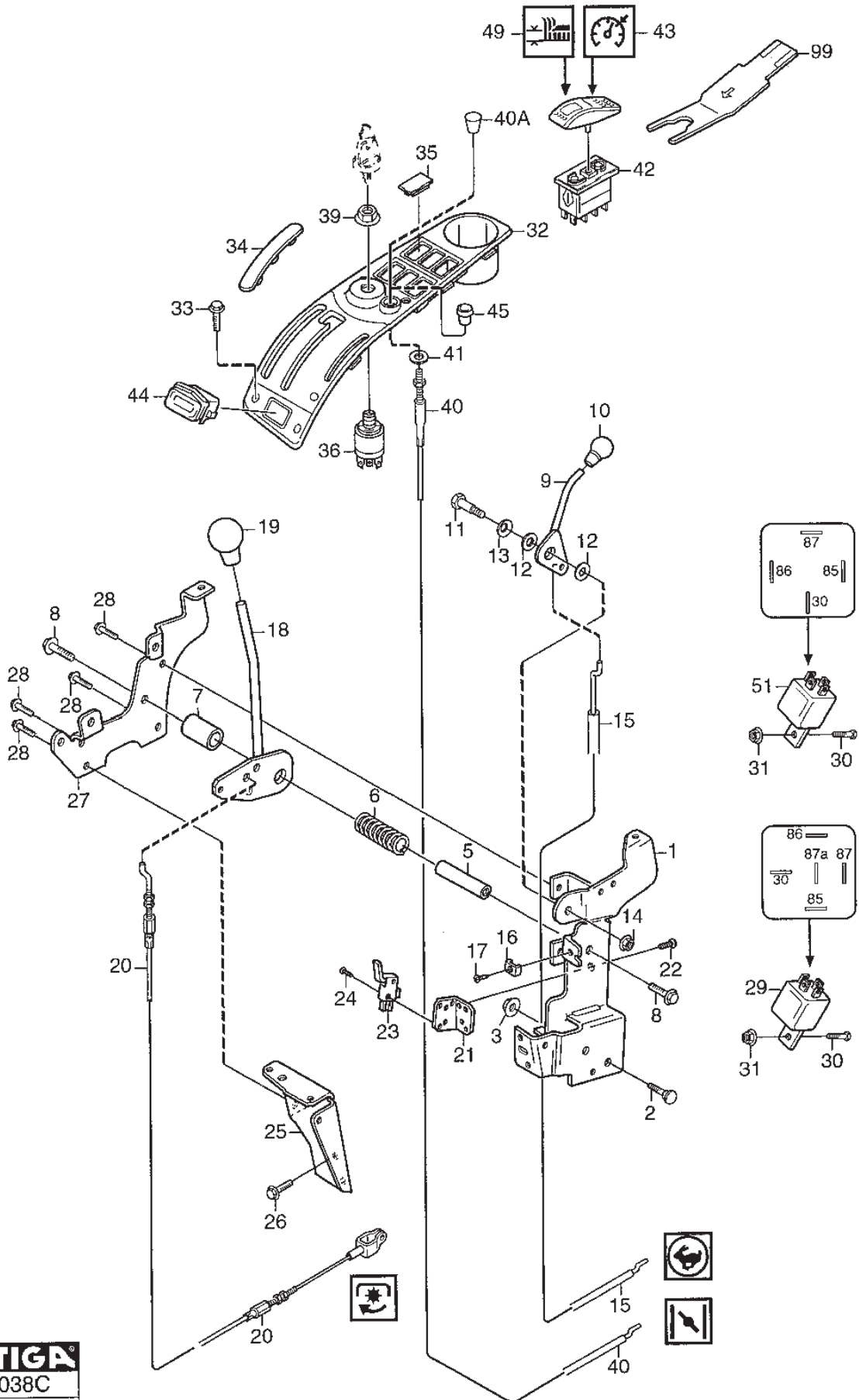


Utgåva Issue 20 - 2015		Sits Seat			
Pos. Fig.	Antal Q.ty	Art nr Part No	Benämning	Description	Anmärkning Notes
1	1	1134-4223-01	Sits Xb 150	Seat	
2	1	1134-4211-01	Sitskonsol Kpl. 02	Seat Bracket	
3	1	1134-5179-01	Spärr	Catch	
5	2	1134-0240-00	Skruv	Screw	
6	2	9747-0831-02	Mutter	Nut	
7	1	1134-4628-05	Överdel (Svart) 5-01	Seat Plate (Black)	
8	1	1134-4256-01	Fjäder	Spring	
9	1	9924-1230-19	Skruv	Screw	
10	1	9747-1231-02	Mutter	Nut	
11	1	1134-3990-01	Armsvep Kpl 041-00	Attachment-Side Panel	
12	2	9897-0820-16	Skruv	Screw	
13	2	9739-0831-22	Mutter	Nut	
14	1	1134-4130-01	Undre Lock (1-00)	Cover Lower	
15	4	9840-8009-16	Skruv	Screw	
16	2	9897-0880-12	Skruv	Screw	L = 80 mm
17	2	1134-1565-08	Distans	Spacer	
18	4	9897-0820-16	Skruv	Screw	L = 20 mm
19	6	9747-0831-02	Mutter	Nut	
20	1	9675-0012-02	Starlock	Locking washer	

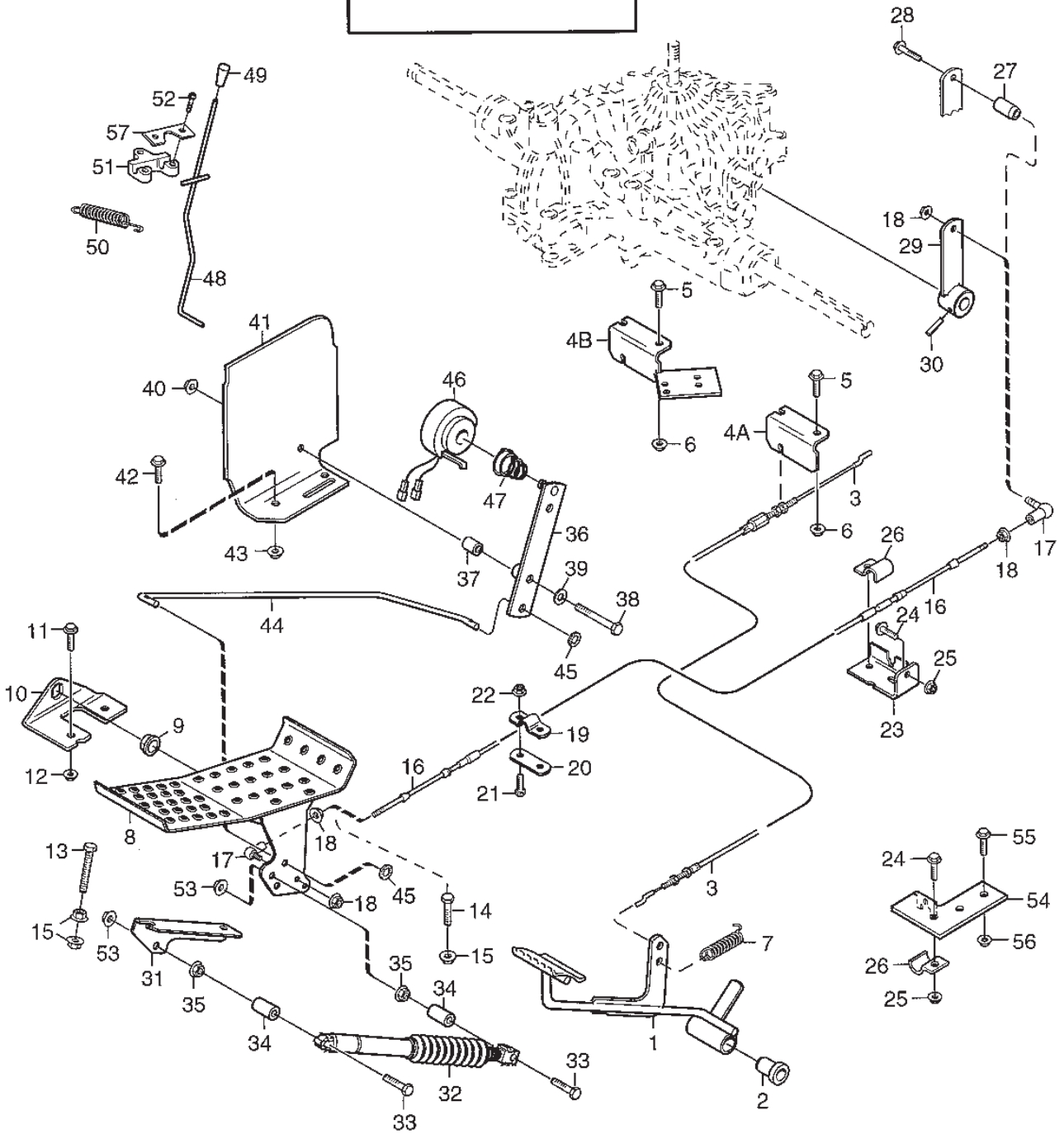
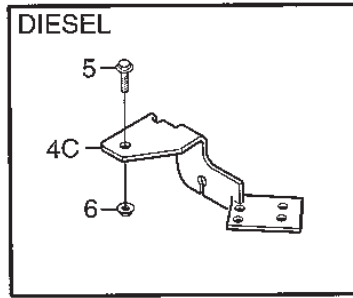


STIGA
1024B
SPARE PARTS

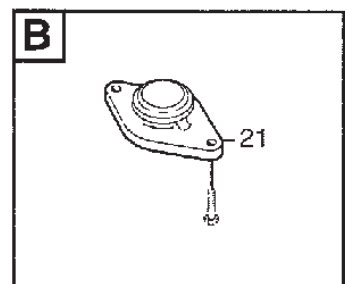
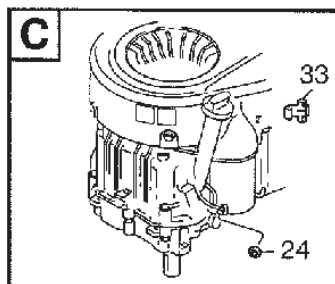
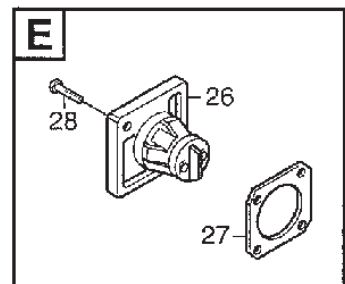
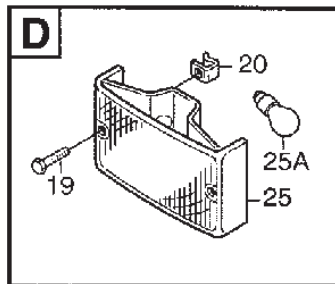
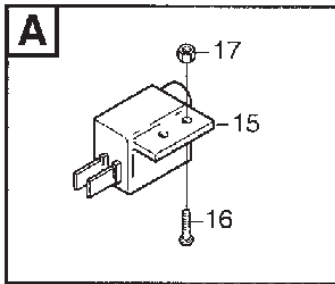
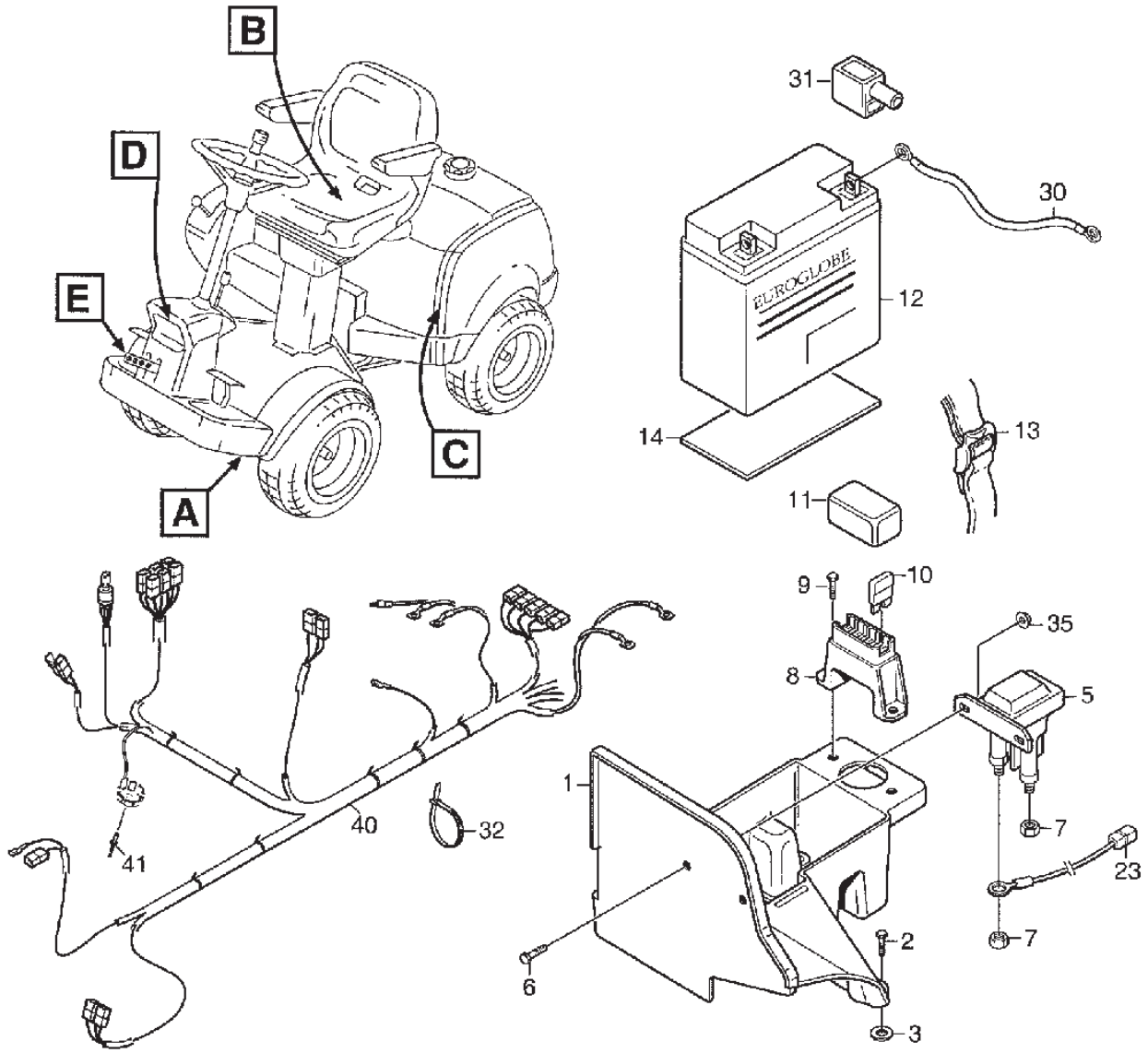
Utgåva Issue 20 - 2015		Styrning Steering			
Pos. Fig.	Antal Q.ty	Art nr Part No	Benämning	Description	Anmärkning Notes
1	1	1134-2820-06	Kedja	Chain	83 länk
2	1	1134-9084-01	Styrwire	Steering Wire	Sats vä+hö/kit L+H
4	2	1134-2824-01	Kedjelas	Chain Lock	
5	2	1134-3817-01	Fjäder	Spring	
6	2	9699-0090-02	Bricka Bricka	Washer Washer	
7	2	9747-0831-02	Mutter	Nut	
8	4	1134-2816-01	Kedjehjul	Sprocket	
9	4	1134-0041-02	Bussning	Bushing	
10	4	9699-0035-02	Bricka	Washer	
11	2	9997-1050-16	Skruv	Screw	
12	2	9897-1040-12	Skruv	Screw	
13	4	9739-1031-22	Mutter	Nut	
14	2	1134-9025-01	Linhjul	Steering Pulley	Sats 2 st/kit of 2
15	2	1134-0041-01	Bussning	Bushing	
16	2	1134-3022-01	Fäste	Bracket	
17	2	9997-1030-16	Skruv	Screw	
18	2	9739-1031-22	Mutter	Nut	
19	1	1134-4120-03	Styrkonsol	Steering Console	
20	4	9897-0820-16	Skruv	Screw	
21	4	9739-0831-22	Mutter	Nut	
22	1	1134-1305-03	Rattrör Nedre	Steering Column,Lower	
23	2	1134-1901-01	Lager	Bearing	
24	2	9893-0616-16	Skruv	Screw	
25	1	1134-2821-01	Rattstang	Steering Rod	
26	1	1134-2837-01	Distans	Spacer	
30	1	1134-5173-01	Ratt Kpl	Stering Wheel	
31	1	1134-5216-01	Rattrör-Inre Kpl	Steering Tube-Inner Assy	
32	1	1134-5177-01	Slid	Slide	
33	1	9710-0631-12	Lasmutter	Nut	
34	1	1134-4481-02	Vingmutter	Wing Nut	
35	1	9997-0630-12	Skruv	Screw	



Utgåva Issue 20 - 2015		Handreglage Hand controls			
Pos. Fig.	Antal Q.ty	Art nr Part No	Benämning	Description	Anmärkning Notes
1	1	1134-4156-01	Vinkelhallare Kpl 24	Panel Bracket-Inner	
2	2	9897-0820-16	Skruv	Screw	
3	2	9739-0831-22	Mutter	Nut	
5	1	1134-4065-01	Reglageaxel	Control Shaft	
6	1	1134-4079-01	Fjäder	Spring	
7	1	1134-4080-03	Reglagehylsa	Control Sleeve	
8	2	9959-0820-16	Skruv	Screw	
9	1	1134-4077-01	Gasreglage	Throttle Cable	
10	1	1134-4078-01	Knopp	Knob	
11	1	1134-0240-00	Skruv	Screw	
12	2	1134-4242-01	Distansbricka	Washer	
13	1	9694-0001-00	Bricka	Washer	
14	1	9739-0831-22	Mutter	Nut	
15	1	1134-4195-02	Gasreglage	Throttle Cable	
15	1	1134-4197-01	Gasreglage	Throttle Cable	
16	1	9500-9991-00	Kabelklämma	Wire Clamp	
17	1	9943-0516-16	Skruv	Screw	
18	1	1134-4072-01	Aggregatpak Kpl	Control Lever	
19	1	1134-2551-01	Knopp	Knob	
20	1	1134-3573-03	Kraftuttagwire	Pto Cable	
21	1	1134-4217-01	Brytarfäste	Switch Bracket	
21	1	1134-5358-01	Brytarfäste	Switch Bracket	
22	2	9849-8013-16	Skruv	Screw	
22	2	9852-8013-16	Skruv	Screw	
23	1	9400-0285-01	Brytare	Switch	
24	2	9840-7716-16	Skruv	Screw	
25	1	1134-4487-01	Frontfäste5-01 H14	Panel Bracket-Front	
25	1	1134-4487-02	Frontfäste 5-01 H14	Panel Bracket-Front	
26	2	9893-0616-16	Skruv	Screw	
27	1	1134-3986-01	Frontplat	Frontplate	
28	4	9893-0616-16	Skruv	Screw	
32	1	1134-3981-02	Kassett	Dashboard	
32	1	1134-3981-05	Kassett	Dashboard	
33	4	9946-0525-16	Skruv	Screw	
34	1	1134-4154-01	Täckbricka	Cover	
35	6	1134-4129-01	Täckbricka	Cover	
36	1	1134-4093-01	Tändningslas	Ignition Switch	
39	1	1134-4749-01	Mutter	Nut	
40	1	1134-4338-01	Reglageknopp	Control Button-Choke	
40	1	1134-2872-03	Chokereglage Kpl	Choke Control	
41	2	9699-0028-02	Bricka	Washer	
44	1	1134-4179-01	Timräknare	Hour Meter	
44	1	1134-4179-02	Timräknare	Hour Meter	
45	1	1134-4100-01	Täckpropp	Plug	

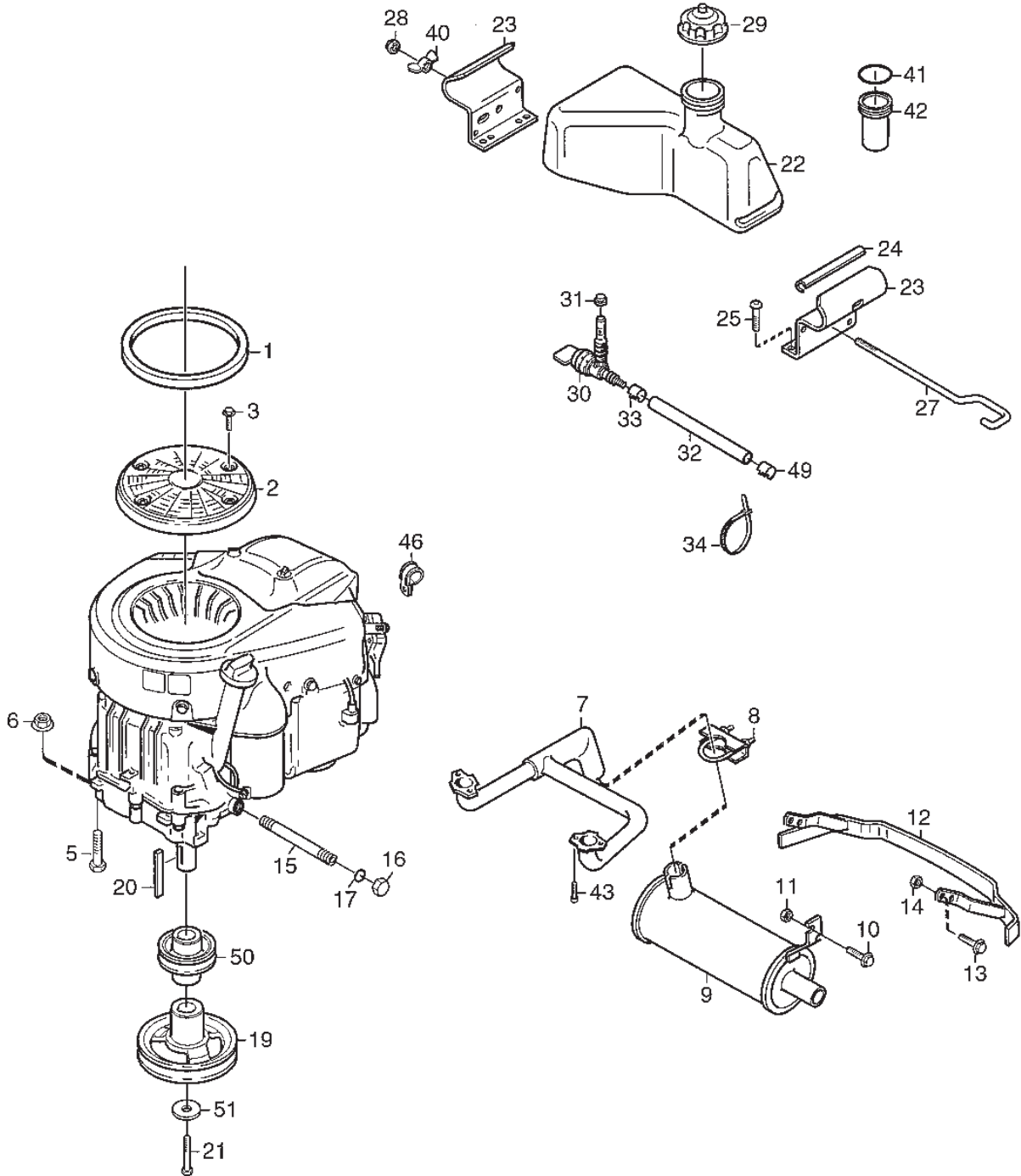


Utgåva Issue 20 - 2015		Park Fotreglage		Park Foot Controls	
Pos. Fig.	Antal Q.ty	Art nr Part No	Benämning	Description	Anmärkning Notes
1	1	1134-4247-01	Kopplingspedal Kpl	Clutch Pedal	
2	1	1134-9024-01	Lager (4 St)	Bearing	Sats 4 st/kit of 4
3	1	1134-3584-03	Motorbromswire	Cable, Thread Engine Brake	
4	1	1134-3906-01	Vajerfäste 24	Cabel Holder	
5	2	9959-0816-16	Skruv	Screw	
6	2	9739-0831-22	Mutter	Nut	
7	1	1134-3974-01	Fjäder	Spring	
8	1	1134-4008-01	Drivpedal	Drive Pedal	
9	2	1134-2780-01	Lager	Bearing	
10	2	1134-2700-01	Fäste	Bracket	
11	2	9959-0820-16	Skruv	Screw	
12	2	9739-0831-22	Mutter	Nut	
13	1	9997-0870-16	Skruv	Screw	
14	1	9959-0816-16	Skruv	Screw	
15	3	9739-0831-22	Mutter	Nut	
16	1	1134-2766-05	Reglagevajer	Speed Control Cable	
17	2	9570-0001-00	Vinkellänk As8 Din 71802M5	Elbow Link	
18	3	9739-0531-22	Mutter	Nut	
19	1	1134-0266-00	Fästbygel	Attaching Clamp	
20	1	1134-0267-00	Underläggsbleck	Clamp Plate	
21	2	9997-0520-16	Skruv	Screw	
22	2	9739-0531-22	Mutter	Nut	
23	1	1134-3395-01	Fäste 24 (5-01)	Attachment	
24	2	9959-0820-16	Skruv	Screw	L = 20 mm
25	2	9739-0831-22	Mutter	Nut	
26	1	1134-2021-01	Växelwirefäste	Clamp	
27	1	1134-4013-01	Distans	Spacer	
28	1	9959-0820-16	Skruv	Screw	
36	1	1134-4017-01	Arm Kpl.	Lever, Cruise Control	
37	1	1134-1565-01	Distans	Spacer	
38	1	9997-0850-16	Skruv	Screw	
39	1	9699-0056-02	Bricka	Washer	
40	1	9739-0831-22	Mutter	Nut	
41	1	1134-4020-01	Plat Farth.	Plate-Cruise Control	
44	1	1134-4021-01	Stag Farth.	Rod-Cruise Control	
46	1	1134-2859-01	Magnet	Magneto	
47	1	1134-2858-01	Fjäder	Spring	
48	1	1134-5101-01	Bromsstang	Brake Rod	
49	1	1134-3808-01	Knopp	Knob	
50	1	1131-1497-01	Fjäder	Brake Spring	
51	1	1134-4002-01	Fäste	Brake Rod Attachment	
52	3	9838-9516-12	Skruv	Screw	

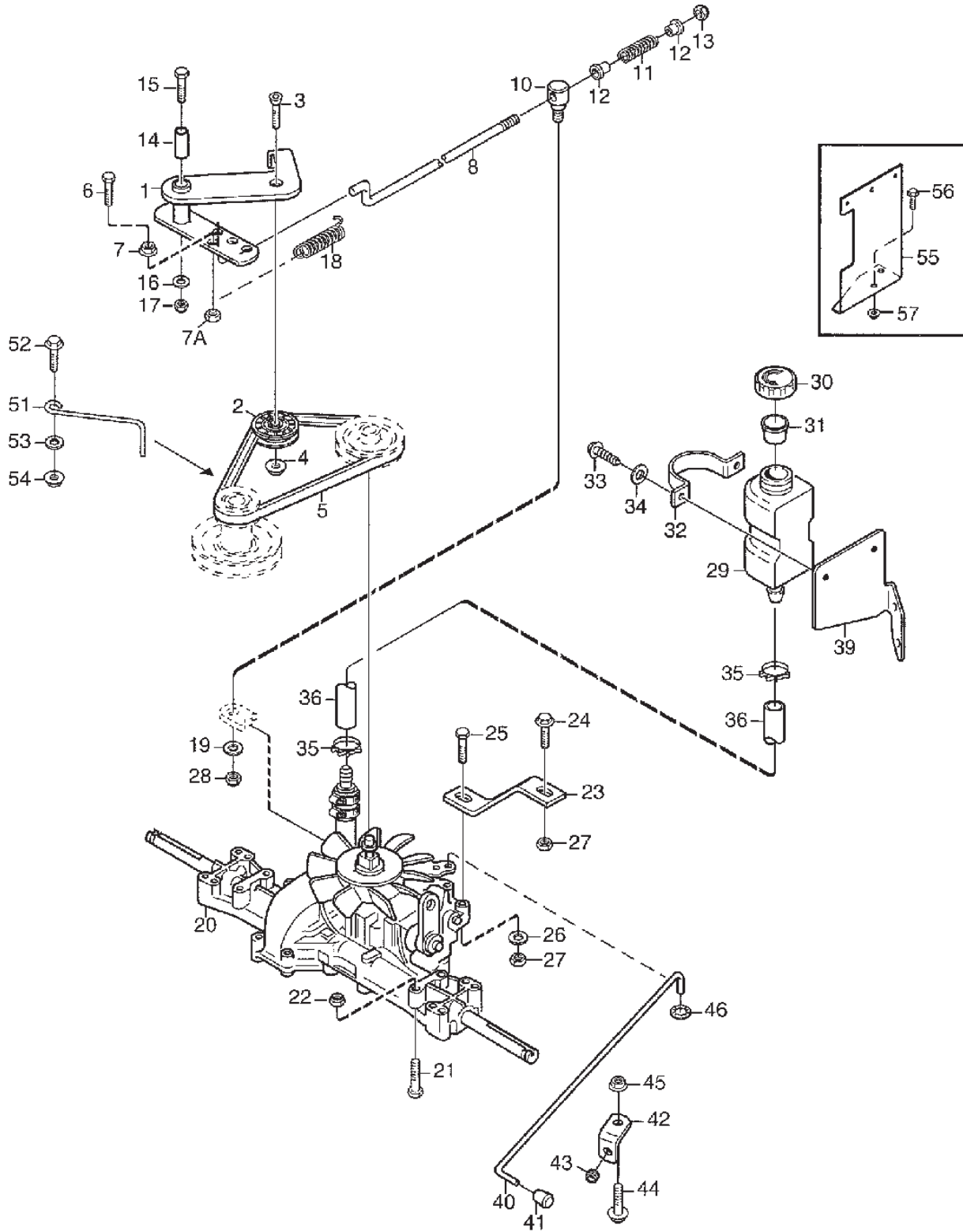


STIGA
1378B
SPARE PARTS

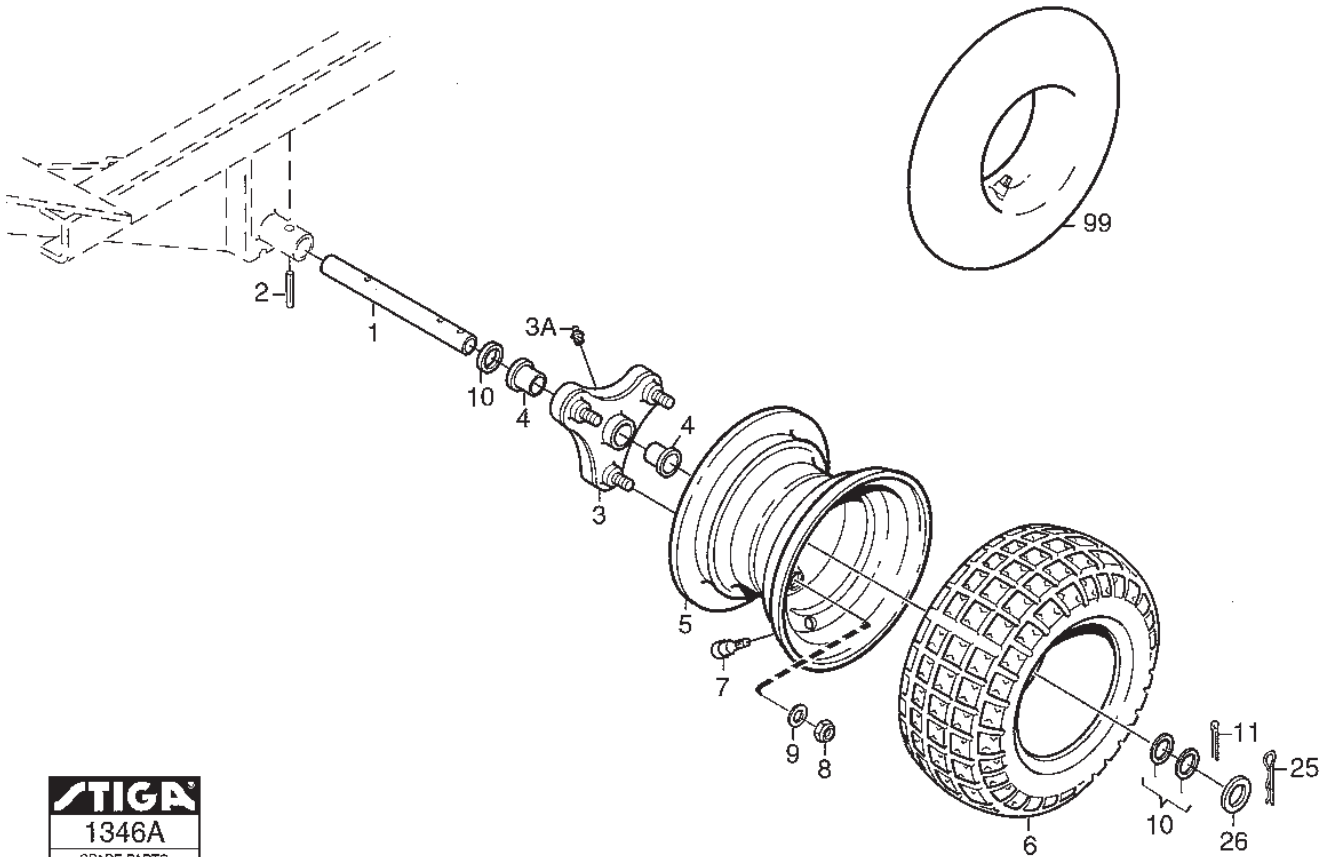
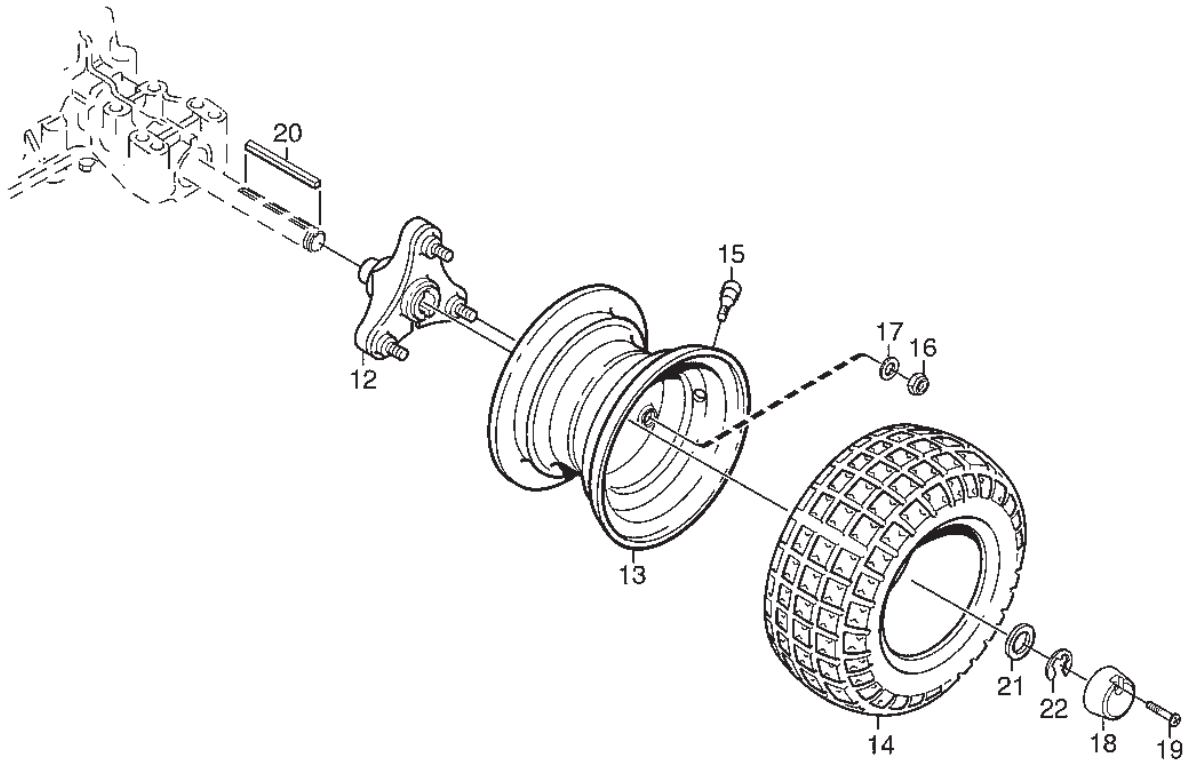
Utgåva Issue 20 - 2015		Elutrustning (Bensin Motorer)		El. Equipment (Petrol Engines)	
Pos. Fig.	Antal Q.ty	Art nr Part No	Benämning	Description	Anmärkning Notes
1	1	1134-4806-01	Batterihylla	Battery Shelf	
2	2	9893-0616-16	Skruv	Screw	
3	2	9699-0060-02	Bricka	Washer	
5	1	1134-2962-01	Solenoid Kpl Service	Solenoid	Inkl. pos 7
6	2	9893-0616-16	Skruv	Screw	
7	2	9794-5131-02	Mutter	Nut	
8	1	1134-3491-01	Säkringshallare	Fuse Holder	
9	2	9838-9516-12	Skruv	Screw	
10	1	1134-3496-01	Säkring 10A Röd	Fuse (10A)	10A
10	1	1134-3496-06	Säkring 20 Amp Gul	Fuse (20A)	20A
10	1	1134-3496-07	Säkring (30A Grön)	Fuse (30A)	30A
11	1	1134-3631-01	Lock (5-01)	Cover-Fuse Holder	
12	1	1134-4804-01	Batteri	Battery	
13	1	1134-5245-01	Batterirem	Battery Strap	
14	1	1134-5227-01	Batteriunderlägg	Battery Pad	
15	1	1134-3399-01	Brytare	Switch	
16	2	9997-0520-16	Skruv	Screw	
17	2	9747-0531-02	Mutter	Nut	
19	2	9849-7819-16	Skruv	Screw	
20	2	1134-4177-01	Clips	Clips	
21	1	1134-4194-01	Sitsbrytare 6520-51	Seat Switch 6520-51	
23	1	1134-4970-01	Kabel	Cable	
24	1	9795-3531-02	Mutter	Nut	
25	1	1134-4172-01	Stralkastare	Headlamp	
25	1	9400-0293-01	Glödlampa	Bulb	12V - 21W
26	1	1134-4056-01	Honkontakt Selv 12 V Dc 42-101-42	Female Terminal	
27	1	1134-4052-01	Bricka	Washer	
28	2	9840-7716-16	Skruv	Screw	
30	1	1134-0234-02	Batterikabel (+)	Battery Cable (+)	
31	1	1134-2310-01	Batteriskydd	Guard Cap (+)	
32	15	9579-0003-00	Buntband	Cable Holder	
33	1	9400-0231-00	Kabelskarv	Splicer	
35	2	9739-0631-22	Mutter	Nut	
40	1	1134-5585-01	Kabelhärva	Wiring harness	
41	1	9632-0522-00	Popnit, 1661-0512 D4X9,5	Pop Rivet	



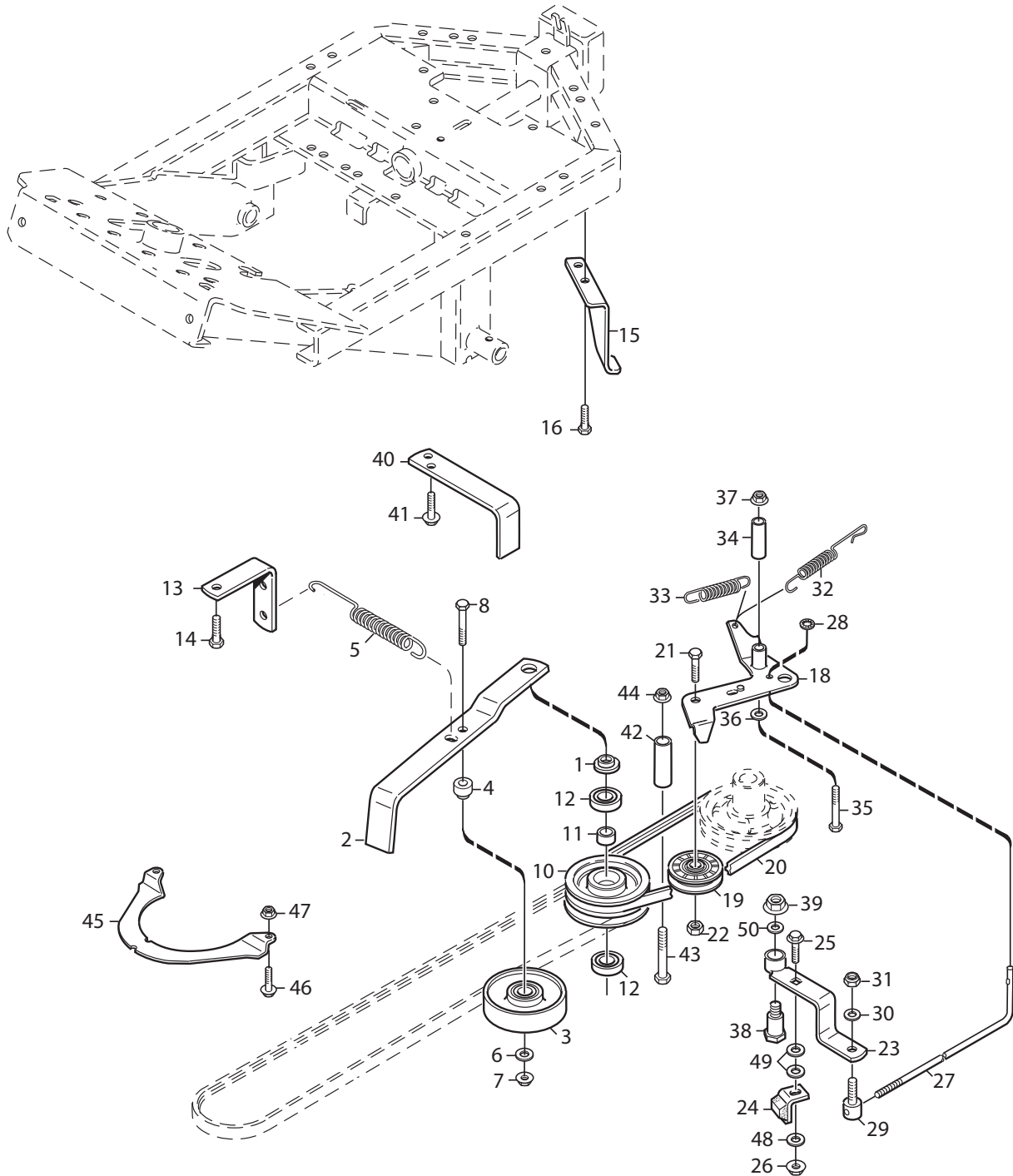
Utgåva Issue 20 - 2015		Motor	Engine		
Pos. Fig.	Antal Q.ty	Art nr Part No	Benämning	Description	Anmärkning Notes
1	1	1134-4222-03	Tätningring	Seal Ring (20 Mm)	H = 20 mm
2	1	1134-4168-01	Fläktskiva	Fan Disc	
3	4	9838-9516-12	Skruv	Screw	
5	4	9997-0840-16	Skruv	Screw	L = 40 mm
6	4	9739-0831-22	Mutter	Nut	
7	1	1134-4166-01	Avgasrör Kpl	Exhaust Pipe	
8	1	9578-0011-00	Klämma F Ljuddämp D35 Rid	Clamp	
9	1	1134-4952-01	Ljuddämpare	Muffler	
10	1	9959-0820-16	Skruv	Screw	
11	1	9739-0831-22	Mutter	Nut	
12	1	1134-4046-02	Berör.Skydd Kpl	Muffler Guard, Black	
13	4	9959-0820-16	Skruv	Screw	
14	4	9739-0831-22	Mutter	Nut	
15	1	1134-4978-02	Oljeavtappningsrör Kpl. (L120)	Oil Drain Pipe Assy (L=120)	
16	1	1134-4976-01	Plugg	Plug	
17	1	1134-4977-01	Bricka	Washer	
19	1	1134-4999-01	Motorremskiva	Engine Belt Pulley	
20	1	9600-0251-01	Kil	Key	
21	1	9987-5332-16	Skruv	Screw	
22	1	1134-4757-03	Bränsletank Kpl	Fuel Tank Assy	Inkl. 29-33, 41-42
23	2	1134-4273-03	Tankfäste	Fuel Tank Bracket	
24	2	1134-2941-01	Kantskyddslip S	Protection Strip	
25	4	9893-0616-16	Skruv	Screw	
27	1	1134-5269-01	Lasstang	Fuel Tank Rod	
28	1	9747-0631-02	Mutter	Nut	
29	1	1134-4063-01	Tanklock	Fuel Cap	
30	1	1134-3224-01	Bensinkran	Fuel Shut-Off Valve	
31	1	1134-3225-01	Gummibussning	Grommet	
32	1	1134-2975-04	Bränsleslang	Fuel Line	L = 710 mm
33	1	9578-0023-02	Slangklämma D12*8 (Svart)	Hose Clamp	
34	1	9579-0003-00	Buntband	Cable Holder	
40	1	1134-4481-02	Vingmutter	Wing Nut	
41	1	9404-0025-01	O-Ring 69,44X3,53 Viton	O-ring	
42	1	1134-4411-01	Insatsrör Tank	Fuel Tank Insert	
43	4	9931-3619-16	Skruv	Screw	
46	1	1134-0994-02	Rörklammer	Tube Clamp	
49	1	9578-0023-02	Slangklämma D12*8 (Svart)	Hose Clamp	
50	1	1134-5000-01	Motorremskiva	Engine Belt Pulley	
51	1	1134-5017-01	Bricka	Washer	



Utgåva Issue 20 - 2015		Transmission		Transmission	
Pos. Fig.	Antal Q.ty	Art nr Part No	Benämning	Description	Anmärkning Notes
1	1	1134-4000-02	Spännarm Kpl 15	Tension Arm	
2	1	1134-3459-01	Spännrulle	Tension Roller	
3	1	9924-1035-16	Skruv	Screw	
4	1	9799-1031-02	Mutter	Nut	
5	1	1134-9058-01	Kilrem	V-Belt	= 9585-0091-01
6	1	9997-0625-16	Skruv	Screw	
7	1	9739-0631-22	Mutter	Nut	
7	1	9747-0631-02	Mutter	Nut	
8	1	1134-3377-02	Reglagestang	Control Rod	
10	1	1134-4171-01	Ledtapp	Pivot Pin	
11	1	1134-4183-01	Fjäder	Spring	
12	2	1134-3456-01	Bussning	Bushing	
13	1	9747-0631-02	Mutter	Nut	
14	1	1134-1565-08	Distans	Spacer	
15	1	9997-0870-16	Skruv	Screw	
16	1	9699-0056-02	Bricka	Washer	
17	1	9747-0831-02	Mutter	Nut	
18	1	1134-1949-01	Fjäder	Spring	
19	1	9699-0060-02	Bricka	Washer	
20	1	1134-4848-01	Transaxel (K46)	Transaxle (K46)	Kanzaki K46G
21	4	9997-0865-12	Skruv	Screw	
22	4	9747-0831-02	Mutter	Nut	
23	1	1134-3913-01	Reaktionsstag 5-01 F24	Strut	
24	1	9959-0825-16	Skruv	Screw	
25	1	9997-0845-12	Skruv	Screw	
26	1	9699-0028-02	Bricka	Washer	
27	2	9747-0831-02	Mutter	Nut	
28	1	9747-0631-02	Mutter	Nut	
29	1	1134-2765-02	Oljetank	Oil Tank	
30	1	1134-2777-02	Tanklock	Filler Cap	
31	1	1134-3734-01	Plugg (Service)	Vent Plug	
32	1	1134-2778-01	Fästband5-01	Band	
33	1	9842-0001-16			
34	1	9699-0099-02	Bricka	Washer	
35	2	9578-0023-04	Slangklämma 15*8 (Vit)	Hose Clamp	15 x 8
36	1	1134-2779-04	Slang	Tube	L = 360 mm
40	1	1134-4015-01	Dragstang	Pull Rod	
41	1	1134-4014-01	Plastknopp	Knob	
42	1	1134-4713-01	Vinkelfäste	Angle Bracket	
43	1	1134-2790-01	Kabelgenomföring	Cable Protection	
44	1	9959-0816-16	Skruv	Screw	
45	1	9739-0831-22	Mutter	Nut	
46	1	9675-0009-02	Starlockbricka	Starlock	
51	1	1134-3289-02	Remstyrning	Belt Guide	
52	1	9959-0820-16	Skruv	Screw	
53	1	9699-0056-02	Bricka	Washer	
54	1	9739-0831-22	Mutter	Nut	

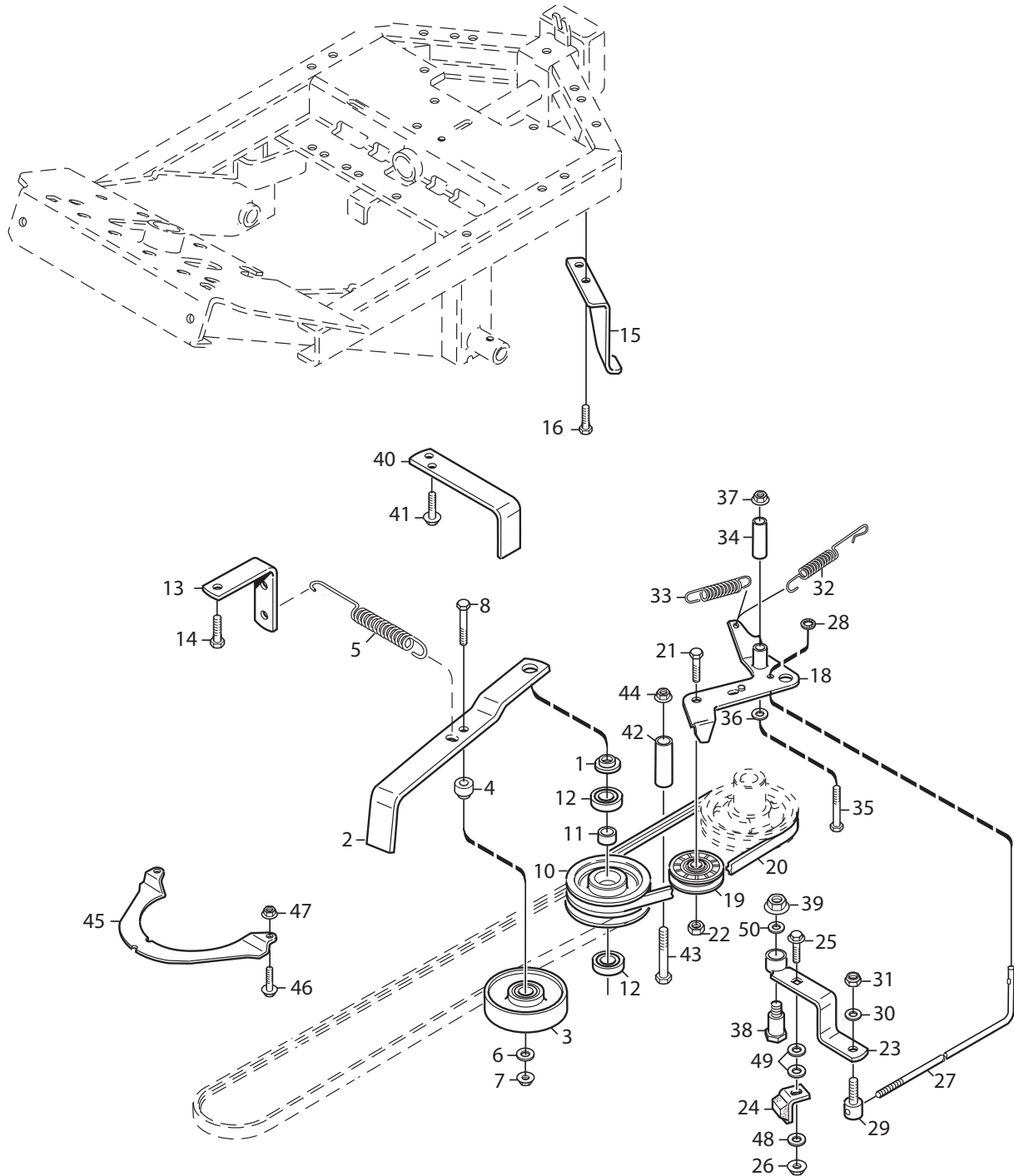


Utgåva Issue 20 - 2015		Hjul Wheels			
Pos. Fig.	Antal Q.ty	Art nr Part No	Benämning	Description	Anmärkning Notes
1	2	1134-0075-01	Framaxeltapp	Front Axle	
2	2	9595-0258-00	Spännstift	Locating Pin	
3	2	1134-4844-05	Hjulnav Kpl	Wheel Hub Assy	
3	1	9501-0500-00	Smörjkopp Kort Rak	Grease Dispenser	
4	1	1134-9026-01	Bussning	Bearing	Sats 4 st/kit of 4
5	2	1134-4558-01	Fälg	Rim	
6	2	9545-0116-00	Däck	Tyre	16 x 7.50 - 8
7	2	9545-0500-00	Ventil	Valve Assy.	
8	6	9747-1031-02	Mutter	Nut	
9	6	9699-0035-02	Bricka	Washer	
10	8	1134-0341-01	Bricka	Washer	
11	2	9599-0080-02	SaxSprint Sp 4*28	Cotter Pin	
12	2	1134-4844-02	Hjulnav Kpl	Wheel Hub Assy	
13	2	1134-4558-01	Fälg	Rim	
14	2	9545-0116-00	Däck	Tyre	16 x 7.50 - 8
15	2	9545-0500-00	Ventil	Valve Assy.	
16	6	9747-1031-02	Mutter	Nut	
17	6	9699-0035-02	Bricka	Washer	
18	2	1134-4796-01	Navkapsel	Hub Cap	
19	2	9947-0540-19	Skruv	Screw	
20	2	1134-2471-01	Kil	Key	
21	2	9699-0042-02	Bricka	Washer	
22	2	9653-0001-04	Sparryttare Rs	Lock Ring	
25	2	9598-0003-02	Spring Pin	Spring Pin	
26	2	9699-0042-02	Bricka	Washer	



1030E

Utgåva Issue 20 - 2015		PTO		PTO	
Pos. Fig.	Antal Q.ty	Art nr Part No	Benämning	Description	Anmärkning Notes
1	1	1134-5548-01	Distans	Spacer	
2	1	1134-5109-01	Spännhjulsarm	Tension Wheel Arm	
3	1	1134-1770-01	Spännhjul Kpl	Tension Roller	
4	1	1134-1888-04	Distans	Spacer	
5	1	1134-5111-01	Fjäder	Spring	
6	1	9699-0056-02	Bricka	Washer	
7	1	9739-0831-22	Mutter	Nut	
8	1	9997-0855-12	Skruv	Screw	
10	1	1134-1769-02	Remskiva	Belt Pulley	
10	1	1134-1769-03	Centrumremskiva Smst	Centre Belt Pulley	
11	1	1134-0051-09	Distans	Spacer	
12	2	9549-0019-00	Kullager	Ball Bearing	
13	1	1134-5112-01	Fjäder	Spring	
14	2	9945-0816-16	Skruv	Screw	
15	1	1134-5110-01	Hake	Hook	
16	2	9893-0616-16	Skruv	Screw	
18	1	1134-2018-02	Spännarm Kpl 5-01 24	Tension Arm	
19	1	1134-9027-01	Spännrulle (Svart)	Tension Roller (Black)	
20	1	1134-9071-01	Drivrem	Belt	= 9585-0129-01
21	1	9997-1030-16	Skruv	Screw	
22	1	9799-1031-02	Mutter	Nut	
23	1	1134-4111-01	Bromsarm Kpl	Brake Arm	
24	1	1134-4164-01	Bromsklots	Brake Pad	
24	1	1134-4164-03	Bromsklots	Brake Pad	
25	1	9897-0825-16	Skruv	Screw	
26	1	9747-0831-02	Mutter	Nut	
27	1	1134-4162-01	Bromsstang	Brake Rod	
28	1	9675-0008-02	Starlockbricka	Starlock	
29	1	1134-4170-01	Nippel	Nippel	
30	1	9699-0025-02	Bricka	Washer	
31	1	9747-0631-02	Mutter	Nut	
32	1	4231-0013-00	Fjäder	Spring	
33	1	1134-4231-01	Fjäder	Brake Spring	
34	1	1134-1565-10	Distans	Spacer	
35	1	9997-0865-12	Skruv	Screw	
36	1	9699-0056-02	Bricka	Washer	
37	1	9739-0831-22	Mutter	Nut	
38	1	1134-4163-01	Ansattsskruv	Shoulder Bolt	
39	1	9747-1031-02	Mutter	Nut	
40	1	1134-3958-01	Remstyrning	Belt Guide	
41	2	9893-0616-16	Skruv	Screw	
42	1	1134-0041-03	Bussning	Bushing	
43	1	9997-1070-12	Skruv	Screw	
44	1	9739-1031-22	Mutter	Nut	
45	1	1134-3654-01	Fingerskydd 5-01 24	Guard	
46	2	9959-0612-16	Skruv	Screw	
47	2	9739-0631-22	Mutter	Nut	
48	1	9699-0090-02	Bricka Bricka	Washer Washer	
49	2	9699-0035-02	Bricka	Washer	



1030E

Utgåva Issue 20 - 2015		PTO			
Pos. Fig.	Antal Q.ty	Art nr Part No	Benämning	Description	Anmärkning Notes
50	1	9699-0035-02	Bricka	Washer	

code	pos.	q.ty	page								
1134-4978-02	15	1	p. 29	1139-1243-01	29	2	p. 3	8211-0209-11	31	1	p. 9
1134-4999-01	19	1	p. 29	1139-1245-01	32	1	p. 3	8211-0276-04	31	1	p. 9
1134-5000-01	50	1	p. 29	1139-1246-01	33	1	p. 3	8211-0276-05	31	1	p. 9
1134-5017-01	51	1	p. 29	1139-1247-01	40	1	p. 3	8211-0277-03	31	1	p. 9
1134-5101-01	48	1	p. 25	1139-1248-01	83	1	p. 5	8211-0277-04	31	1	p. 9
1134-5109-01	2	1	p. 35	1139-1249-01	84	1	p. 5	8211-0278-04	31	1	p. 9
1134-5110-01	15	1	p. 35	1139-1250-01	54	1	p. 5	8211-0278-05	31	1	p. 9
1134-5111-01	5	1	p. 35	1139-1251-01	12	1	p. 3	8211-0321-04	31	1	p. 9
1134-5112-01	13	1	p. 35	1139-1255-01	63	1	p. 5	8211-0321-05	31	1	p. 9
1134-5173-01	30	1	p. 21	1139-1256-01	64	1	p. 5	8211-2002-03	31	1	p. 9
1134-5177-01	32	1	p. 21	1139-1257-01	65	2	p. 5	9400-0231-00	33	1	p. 27
1134-5179-01	3	1	p. 19	1139-1258-01	62	1	p. 5	9400-0285-01	23	1	p. 23
1134-5216-01	31	1	p. 21	1139-1259-01	67	1	p. 5	9400-0293-01	25	1	p. 27
1134-5227-01	14	1	p. 27	1139-1260-01	75	1	p. 5	9404-0025-01	41	1	p. 29
1134-5245-01	13	1	p. 27	1139-1261-01	76	1	p. 5	9404-0027-01	7	1	p. 17
1134-5269-01	27	1	p. 29	1139-1263-01	78	1	p. 5	9405-0029-00	46	1	p. 11
1134-5294-01	16	1	p. 15	1139-1264-01	79	1	p. 5	9500-9991-00	16	1	p. 23
1134-5313-01	8	1	p. 15	1139-1266-01	86	1	p. 5	9501-0500-00	3	1	p. 33
1134-5315-01	1	1	p. 15	1139-1267-01	66	1	p. 5	9501-0500-00	6	2	p. 15
1134-5358-01	21	1	p. 23	1139-1269-01	68	1	p. 5	9501-0500-00	10	2	p. 15
1134-5514-01	17	1	p. 15	1139-1270-01	69	1	p. 5	9545-0116-00	6	2	p. 33
1134-5548-01	1	1	p. 35	1139-1272-01	42	1	p. 3	9545-0116-00	14	2	p. 33
1134-5585-01	40	1	p. 27	1139-1273-01	24	1	p. 3	9545-0500-00	7	2	p. 33
1134-9024-01	2	1	p. 25	1139-1275-01	15	1	p. 3	9545-0500-00	15	2	p. 33
1134-9025-01	14	2	p. 21	1139-1276-01	102	1	p. 7	9547-0001-00	9	2	p. 15
1134-9026-01	4	1	p. 33	1139-1279-01	95	1	p. 7	9549-0019-00	12	2	p. 35
1134-9027-01	19	1	p. 35	1139-1280-01	90	1	p. 7	9570-0001-00	17	2	p. 25
1134-9028-01	43	1	p. 11	1139-1281-01	82	2	p. 5	9578-0011-00	8	1	p. 29
1134-9058-01	5	1	p. 31	1139-1282-01	80	1	p. 5	9578-0023-02	33	1	p. 29
1134-9071-01	20	1	p. 35	1139-1285-01	58	1	p. 5	9578-0023-02	49	1	p. 29
1134-9084-01	2	1	p. 21	1139-1286-01	43	1	p. 3	9578-0023-04	35	2	p. 31
1139-0244-01	22	14	p. 3	1139-1294-01	27	3	p. 3	9579-0003-00	32	15	p. 27
1139-1021-01	41	1	p. 3	1139-1295-01	21	2	p. 3	9579-0003-00	34	1	p. 29
1139-1028-01	11	1	p. 3	1139-1296-01	44	2	p. 3	9595-0258-00	2	2	p. 33
1139-1054-01	37	1	p. 3	1139-1301-01	5	1	p. 3	9595-0262-00	4	1	p. 9
1139-1063-01	26	1	p. 3	1139-1302-01	89	1	p. 5	9595-0262-00	4	1	p. 15
1139-1067-01	45	1	p. 3	1139-1303-01	91	1	p. 7	9595-0276-01	9	1	p. 17
1139-1068-01	46	1	p. 3	1139-1306-01	101	1	p. 7	9598-0003-02	25	2	p. 33
1139-1069-01	48	1	p. 3	1139-1307-01	30	2	p. 3	9599-0080-02	11	2	p. 33
1139-1070-01	47	1	p. 3	1139-1312-01	51	1	p. 5	9600-0251-01	20	1	p. 29
1139-1078-01	70	2	p. 5	1139-1314-01	52	1	p. 5	9632-0513-00	47	1	p. 11
1139-1080-01	72	2	p. 5	1139-1315-01	49	1	p. 5	9632-0516-00	44	1	p. 11
1139-1102-01	55	1	p. 5	1139-1316-01	50	1	p. 5	9632-0522-00	41	1	p. 27
1139-1103-01	99	2	p. 7	1139-1320-01	77	1	p. 5	9650-0039-04	8	1	p. 17
1139-1104-01	16	1	p. 3	1139-1321-01	3	1	p. 3	9653-0001-04	22	2	p. 33
1139-1110-01	35	1	p. 3	1139-1325-01	53	1	p. 5	9675-0008-02	4	7	p. 11
1139-1114-01	81	2	p. 5	1139-1327-01	56	1	p. 5	9675-0008-02	28	1	p. 35
1139-1115-01	59	2	p. 5	1139-1329-01	57	1	p. 5	9675-0009-02	46	1	p. 31
1139-1117-01	19	2	p. 3	1139-1334-01	26	1	p. 3	9675-0012-02	20	1	p. 19
1139-1119-01	20	1	p. 3	1139-1336-01	6	2	p. 3	9694-0001-00	13	1	p. 23
1139-1123-01	100	2	p. 7	1139-1339-01	28	2	p. 3	9699-0025-02	9	2	p. 11
1139-1127-01	60	1	p. 5	1139-1340-01	24	1	p. 3	9699-0025-02	30	1	p. 35
1139-1139-01	38	1	p. 3	1139-1344-01	68	1	p. 5	9699-0028-02	26	1	p. 31
1139-1146-01	34	3	p. 3	1139-1345-01	69	1	p. 5	9699-0028-02	41	2	p. 23
1139-1149-01	87	1	p. 5	1139-1347-01	11	1	p. 3	9699-0035-02	9	6	p. 33
1139-1150-01	8	2	p. 3	1139-1353-01	40	1	p. 3	9699-0035-02	10	4	p. 21
1139-1157-01	36	1	p. 3	1139-1354-01	49	1	p. 5	9699-0035-02	13	2	p. 15
1139-1158-01	25	1	p. 3	1139-1355-01	56	1	p. 5	9699-0035-02	17	6	p. 33
1139-1159-01	31	1	p. 3	1139-1356-01	31	1	p. 3	9699-0035-02	49	2	p. 35
1139-1160-01	39	1	p. 3	1139-1358-01	89	1	p. 5	9699-0035-02	50	1	p. 37
1139-1161-01	14	1	p. 3	1139-1359-01	45	1	p. 3	9699-0042-02	21	2	p. 33
1139-1162-01	61	1	p. 5	1139-1360-01	61	1	p. 5	9699-0042-02	26	2	p. 33
1139-1163-01	71	2	p. 5	1139-1361-01	67	1	p. 5	9699-0056-02	6	1	p. 35
1139-1164-01	73	2	p. 5	1139-1362-01	46	1	p. 3	9699-0056-02	13	4	p. 11
1139-1189-01	13	1	p. 3	4231-0013-00	20	1	p. 17	9699-0056-02	16	1	p. 31
1139-1240-01	9	1	p. 3	4231-0013-00	32	1	p. 35	9699-0056-02	36	1	p. 35
				8211-0209-10	31	1	p. 9	9699-0056-02	39	1	p. 25

code	pos.	q.ty	page										
9699-0056-02	53	1	p. 31	9799-1031-02	4	1	p. 31	9959-0820-16	52	1	p. 31		
9699-0060-02	3	2	p. 27	9799-1031-02	22	1	p. 35	9959-0825-16	24	1	p. 31		
9699-0060-02	19	1	p. 31	9837-8914-12	16	2	p. 9	9959-1020-16	14	2	p. 15		
9699-0060-02	52	4	p. 13	9838-9516-12	3	4	p. 29	9987-5332-16	21	1	p. 29		
9699-0060-02	53	1	p. 13	9838-9516-12	9	2	p. 27	9997-0520-16	16	2	p. 27		
9699-0062-02	9	2	p. 9	9838-9516-12	42	2	p. 11	9997-0520-16	21	2	p. 25		
9699-0090-02	6	2	p. 21	9838-9516-12	52	3	p. 25	9997-0625-16	6	1	p. 31		
9699-0090-02	48	1	p. 35	9840-7716-16	24	2	p. 23	9997-0625-16	18	2	p. 17		
9699-0099-02	34	1	p. 31	9840-7716-16	28	2	p. 27	9997-0630-12	35	1	p. 21		
9699-0103-02	5	1	p. 9	9840-8009-16	15	4	p. 19	9997-0640-12	10	1	p. 17		
9699-0114-02	5	1	p. 9	9840-8009-16	19	2	p. 11	9997-0840-16	5	4	p. 29		
9699-0120-02	45	1	p. 11	9840-8009-16	24	4	p. 15	9997-0845-12	25	1	p. 31		
9699-0120-02	48	1	p. 11	9842-0001-16	33	1	p. 31	9997-0850-16	38	1	p. 25		
9710-0631-12	33	1	p. 21	9849-7819-16	19	2	p. 27	9997-0855-12	8	1	p. 35		
9739-0531-22	18	3	p. 25	9849-8013-16	22	2	p. 23	9997-0865-12	21	4	p. 31		
9739-0531-22	22	2	p. 25	9852-8013-16	22	2	p. 23	9997-0865-12	35	1	p. 35		
9739-0631-22	7	1	p. 31	9893-0616-16	2	2	p. 27	9997-0870-16	13	1	p. 25		
9739-0631-22	19	2	p. 17	9893-0616-16	6	2	p. 27	9997-0870-16	15	1	p. 31		
9739-0631-22	29	2	p. 11	9893-0616-16	7	4	p. 11	9997-1030-16	17	2	p. 21		
9739-0631-22	35	2	p. 27	9893-0616-16	15	6	p. 11	9997-1030-16	21	1	p. 35		
9739-0631-22	47	2	p. 35	9893-0616-16	16	2	p. 35	9997-1050-16	11	2	p. 21		
9739-0831-22	3	2	p. 23	9893-0616-16	18	2	p. 15	9997-1070-12	43	1	p. 35		
9739-0831-22	6	2	p. 25	9893-0616-16	24	2	p. 21						
9739-0831-22	6	4	p. 29	9893-0616-16	25	4	p. 29						
9739-0831-22	7	1	p. 35	9893-0616-16	26	2	p. 23						
9739-0831-22	11	1	p. 29	9893-0616-16	27	3	p. 11						
9739-0831-22	12	2	p. 25	9893-0616-16	28	2	p. 11						
9739-0831-22	13	2	p. 19	9893-0616-16	28	4	p. 23						
9739-0831-22	14	1	p. 23	9893-0616-16	31	4	p. 11						
9739-0831-22	14	4	p. 29	9893-0616-16	37	2	p. 11						
9739-0831-22	15	2	p. 9	9893-0616-16	40	3	p. 11						
9739-0831-22	15	3	p. 25	9893-0616-16	41	2	p. 35						
9739-0831-22	21	4	p. 21	9893-0616-16	51	4	p. 13						
9739-0831-22	22	2	p. 15	9897-0820-16	2	2	p. 23						
9739-0831-22	25	2	p. 25	9897-0820-16	12	2	p. 19						
9739-0831-22	35	2	p. 11	9897-0820-16	13	1	p. 17						
9739-0831-22	37	1	p. 35	9897-0820-16	18	4	p. 19						
9739-0831-22	40	1	p. 25	9897-0820-16	20	4	p. 21						
9739-0831-22	45	1	p. 31	9897-0825-16	25	1	p. 35						
9739-0831-22	54	1	p. 31	9897-0880-12	16	2	p. 19						
9739-1031-22	13	4	p. 21	9897-1040-12	12	2	p. 21						
9739-1031-22	18	2	p. 21	9924-1035-16	3	1	p. 31						
9739-1031-22	44	1	p. 35	9924-1230-19	9	1	p. 19						
9747-0531-02	17	2	p. 27	9931-3619-16	43	4	p. 29						
9747-0531-02	25	2	p. 11	9943-0516-16	17	1	p. 23						
9747-0631-02	7	1	p. 31	9945-0816-16	12	6	p. 11						
9747-0631-02	10	2	p. 11	9945-0816-16	14	2	p. 35						
9747-0631-02	11	1	p. 17	9945-0816-16	20	2	p. 15						
9747-0631-02	13	1	p. 31	9946-0525-16	20	2	p. 11						
9747-0631-02	28	1	p. 29	9946-0525-16	23	5	p. 11						
9747-0631-02	28	1	p. 31	9946-0525-16	33	4	p. 23						
9747-0631-02	31	1	p. 35	9947-0540-19	19	2	p. 33						
9747-0831-02	6	2	p. 19	9950-0570-12	24	2	p. 11						
9747-0831-02	7	2	p. 21	9959-0612-16	46	2	p. 35						
9747-0831-02	14	1	p. 17	9959-0816-16	5	2	p. 25						
9747-0831-02	17	1	p. 31	9959-0816-16	14	1	p. 25						
9747-0831-02	19	6	p. 19	9959-0816-16	34	2	p. 11						
9747-0831-02	22	4	p. 31	9959-0816-16	44	1	p. 31						
9747-0831-02	26	1	p. 35	9959-0820-16	7	2	p. 9						
9747-0831-02	27	2	p. 31	9959-0820-16	8	2	p. 23						
9747-1031-02	8	6	p. 33	9959-0820-16	10	1	p. 29						
9747-1031-02	16	6	p. 33	9959-0820-16	11	2	p. 25						
9747-1031-02	39	1	p. 35	9959-0820-16	13	4	p. 29						
9747-1231-02	10	1	p. 19	9959-0820-16	14	2	p. 9						
9794-5131-02	7	2	p. 27	9959-0820-16	21	2	p. 15						
9795-3531-02	24	1	p. 27	9959-0820-16	24	2	p. 25						
				9959-0820-16	28	1	p. 25						